

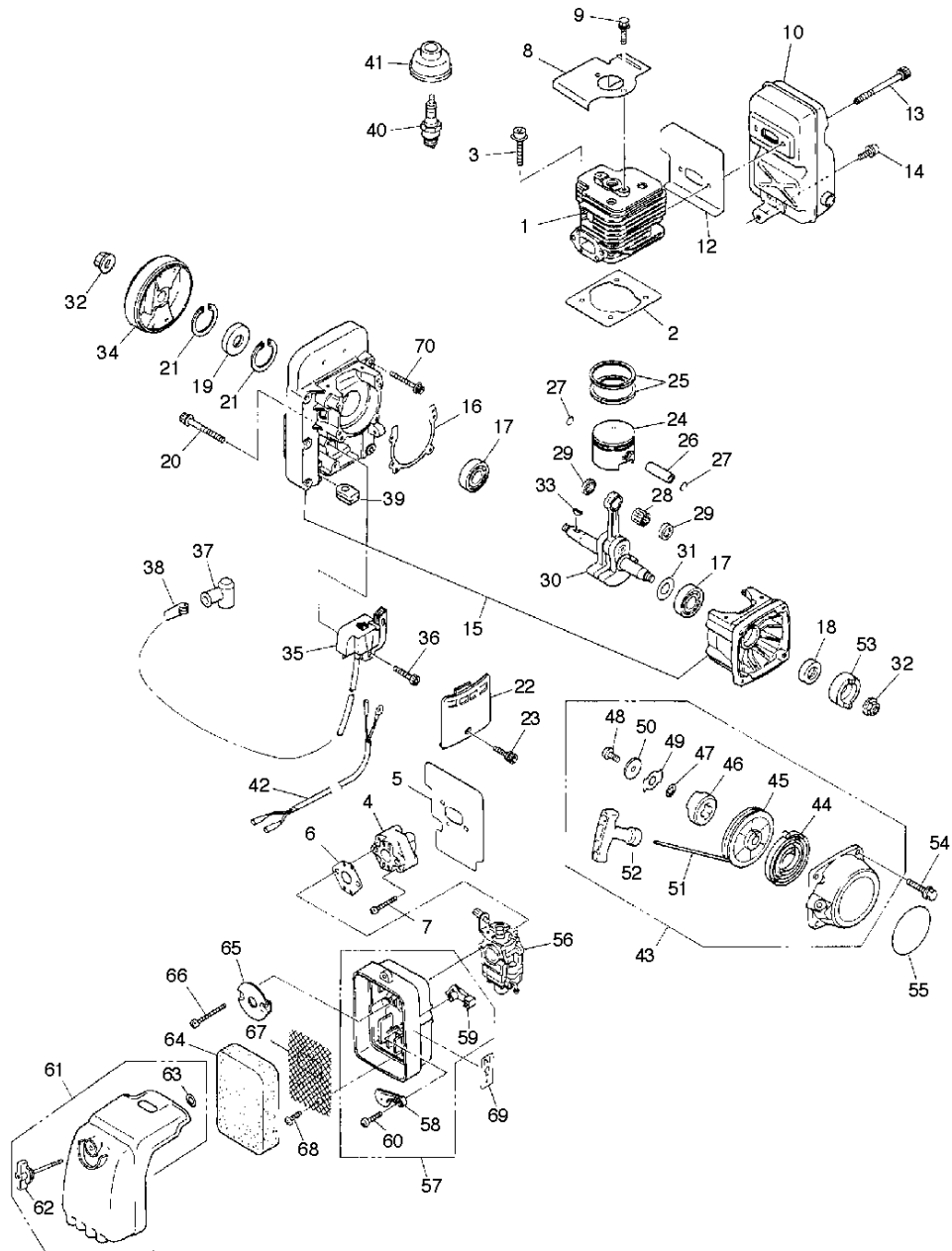


SPARE PARTS LIST

DUSTERS/MISTERS

362M18, 2010-02

A 362M18
ENGINE GROUP



ENGINE

362M18, 2010-02

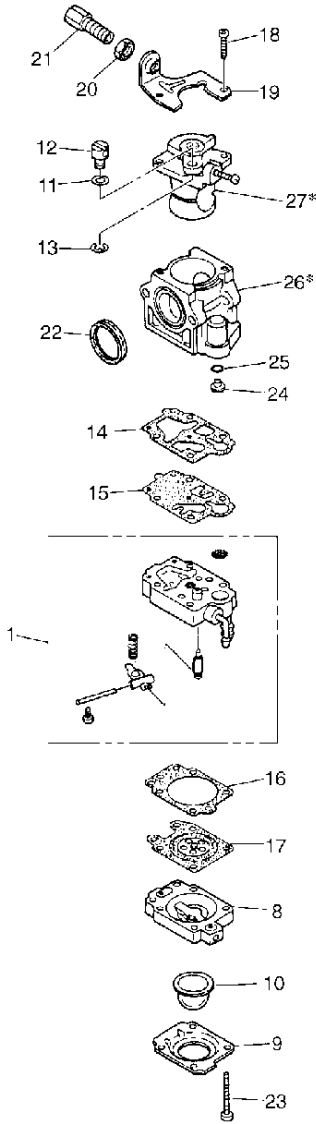
Ref	Part No	Description	Remark	QTY	KIT
1	513 66 19-01	CYLINDER		1	
2	513 66 26-01	GASKET		1	
3	513 66 25-01	BOLT		4	
4	513 28 46-01	INSULATOR		1	
5	513 66 29-01	GASKET		1	
6	513 26 70-01	GASKET		1	
7	513 28 47-01	BOLT		2	
8	513 66 27-01	COVER		1	
9	513 66 28-01	BOLT		2	
10	511 70 95-01	MUFFLER		1	
12	513 66 33-01	GASKET		1	
13	513 66 31-01	BOLT		2	
14	513 66 32-01	BOLT		1	
15	521 63 37-01	CASE-COMP		1	
16	513 66 36-01	GASKET		1	
17	521 52 12-01	BALL BEARING		2	
18	502 84 92-01	SEALING		1	
19	521 52 18-01	SEAL		1	
20	506 60 94-01	BOLT		4	
21	516 12 62-01	SNAP RING		2	
22	513 66 39-01	COVER		1	
23	513 32 32-01	BOLT		1	
24	513 66 77-01	PISTON		1	
25	514 25 74-01	PISTON RING		2	
26	514 25 75-01	PIN		1	
27	502 84 98-01	SNAP RING		2	
28	502 84 99-01	BEARING		1	
29	502 85 00-01	WASHER		2	
30	521 63 39-01	CRANKSHAFT		1	
31	513 22 65-01	SHIM		1	
32	513 24 19-01	NUT		2	
33	506 68 94-01	KEY		1	
34	513 67 16-01	ROTOR		1	
35	513 67 17-01	COIL		1	
36	513 67 18-01	BOLT		2	
37	513 44 34-01	SPARK PLUG CAP		1	
38	505 29 89-01	SPRING		1	
39	515 41 53-01	GROMMET		1	
40	515 49 74-01	SPARKPLUGBPMR7A		1	
41	513 68 14-01	HUB CAP		1	
42	513 67 20-01	CORD		1	
43	502 84 31-01	STARTER ASSY		1	
44	502 84 33-01	SPRING		1	43
45	502 84 34-01	STARTER PULLEY		1	43
46	504 55 48-01	STARTER PAWL		1	43
47	502 84 36-01	WASHER		1	43
48	502 84 38-01	SCREW		1	43
49	504 55 49-01	RETAINER		1	43
50	502 84 37-01	WASHER		1	43
51	502 84 35-01	CORD		1	43
52	502 84 32-01	KNOB		1	43
53	513 28 88-01	PULLEY		1	
54	514 32 09-01	BOLT		4	
55	575 52 13-01	LABEL		1	
56	513 67 22-01	CARBURETOR-A		1	
57	514 28 60-01	BODY		1	
58	514 28 62-01	PLATE		1	57
59	514 28 63-01	LEVER		1	57
60	506 61 40-01	SCREW		1	57
61	529 31 42-01	COVER		1	
62	513 29 03-01	KNOB		1	61
63	515 41 77-01	RING		1	61
64	513 30 33-01	AIR FILTER		1	
65	513 28 64-01	PLATE		1	

ENGINE

362M18, 2010-02

Ref	Part No	Description	Remark	QTY KIT
66	510 48 31-01	SCREW		2
67	513 30 35-01	SCREEN		1
68	513 30 36-01	SCREW		1
69	513 18 53-01	LABEL		1
70	513 66 40-01	BOLT		6

B 362M18
CARBURETOR

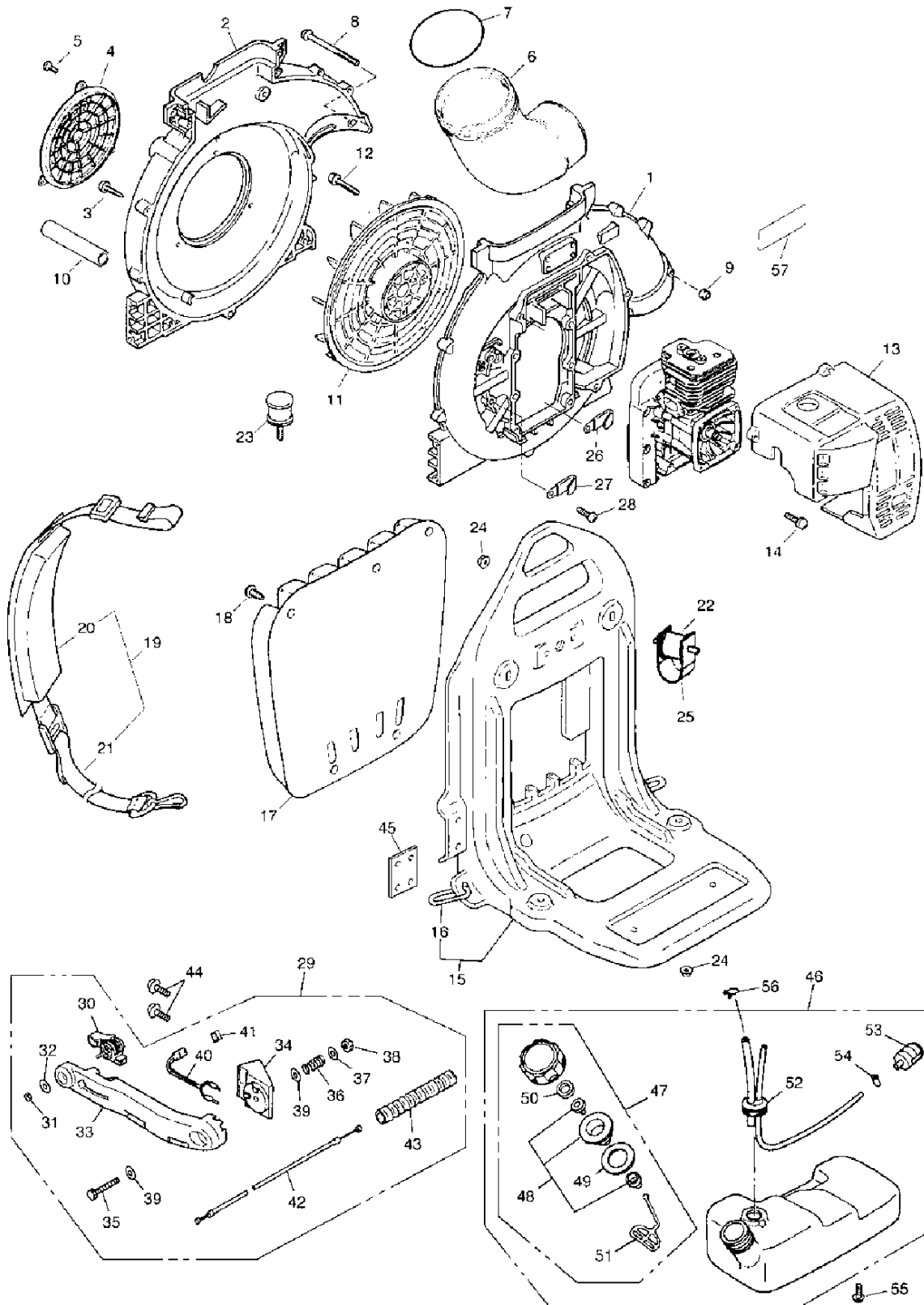


CARBURETOR

362M18, 2010-02

Ref	Part No	Description	Remark	QTY KIT
1	502 23 84-01	CARBURETTOR BODY		1
8	506 74 09-01	BODY		1
9	506 74 10-01	COVER		1
10	505 30 67-01	PUMP		1
11	506 74 61-01	WASHER		1
12	506 74 12-01	SWIVEL		1
13	506 73 86-01	RETAINER RING		1
14	505 30 72-01	GASKET		1
15	506 68 98-01	DIAPHRAGM		1
16	506 74 08-01	GASKET		1
17	505 05 64-01	DIAPHRAGM		1
18	505 30 79-01	SCREW		2
19	506 74 60-01	BRACKET		1
20	506 61 26-01	NUT		1
21	506 74 13-01	SCREW		1
22	505 30 84-01	RING		1
23	506 74 11-01	SCREW		4
24	505 18 57-01	JET		1
25	505 30 75-01	O-RING		1

C 362M18
BLOWER GROUP



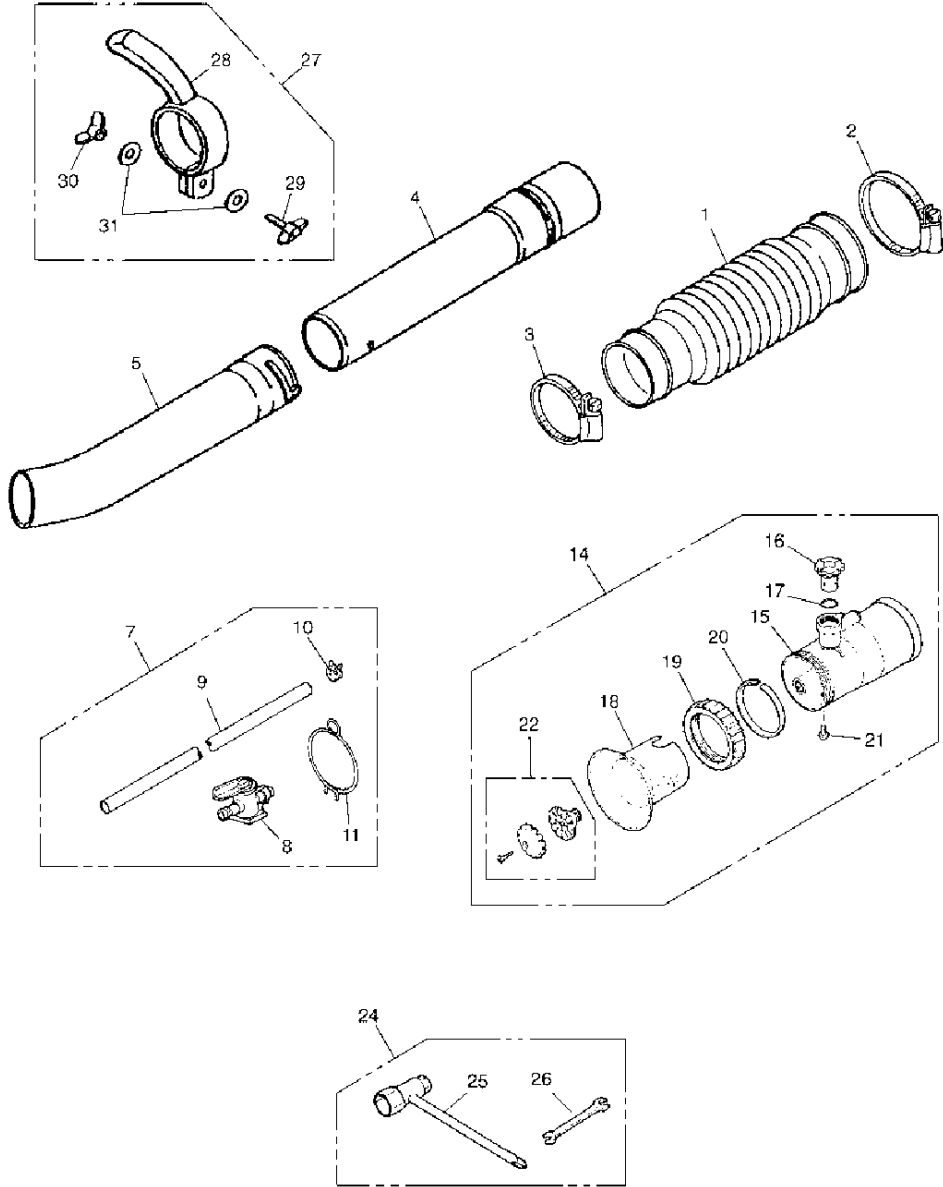
Ref	Part No	Description	Remark	QTY	KIT
1	574 34 40-01	FAN HOUSING		1	
2	529 28 68-01	FAN HOUSING		1	
3	513 67 49-01	SCREW		12	
4	514 08 76-01	NET		1	
5	514 32 62-01	SCREW		3	
6	513 67 51-01	ELBOW		1	
7	516 13 54-01	O-RING		1	
8	513 67 52-01	SCREW		2	
9	514 32 46-01	NUT		2	
10	513 66 52-01	TUBE		1	
11	513 66 59-01	FAN		1	
12	514 28 47-01	BOLT		4	
13	573 93 16-01	ENGINE COVER		1	
14	513 67 49-01	SCREW		4	
15	573 93 18-01	FRAME		1	
16	514 33 16-01	RING		2	
17	573 97 20-01	PAD		1	
18	526 47 67-01	CLIP		4	
19	513 67 57-01	BAND		2	
20	526 33 96-01	BAND		1	19
21	511 74 33-01	BAND		1	19
22	513 67 58-01	DAMPER		2	
23	513 67 59-01	DAMPER		2	
24	513 67 60-01	NUT		4	
25	511 96 73-01	STOPPER		2	
26	513 67 19-01	CLAMP		1	
27	521 52 51-01	CLAMP		1	
28	514 28 33-01	SCREW		1	
29	502 84 29-01	HANDLE ASSY		1	
30	512 64 78-01	LEVER		1	29
31	514 18 39-01	NUT		1	29
32	516 07 85-01	WASHER		1	29
33	512 64 80-01	ARM		1	29
34	512 64 81-01	BRACKET		1	29
35	514 33 62-01	BOLT		1	29
36	514 33 63-01	SPRING		1	29
37	514 33 65-01	WASHER		1	29
38	521 51 96-01	NUT		1	29
39	514 33 67-01	WASHER		2	29
40	504 55 46-01	SWITCH		1	29
41	513 35 19-01	HUB CAP		1	29
42	512 66 23-01	CABLE		1	29
43	544 27 76-01	TUBE		1	29
44	513 66 72-01	BOLT		4	
45	521 68 06-01	PLATE		1	
46	526 34 35-01	TANK-A		1	
47	504 11 77-01	TANK CAP ASSY		1	46
48	515 36 94-01	HOLDER		1	46,47
49	506 74 43-01	PACKING		1	46,47
50	506 74 68-01	FILTER		1	46,47
51	504 11 79-01	HOLDER		1	46,47
52	526 33 90-01	PIPE COMP		1	46
53	506 74 26-01	FILTER		1	
54	506 70 70-01	CLIP		1	46
55	514 33 36-01	SCREW		2	
56	506 74 15-01	CLIP		1	
57	574 21 74-01	LABEL		1	

SPRAY SYSTEM

362M18, 2010-02

Ref	Part No	Description	Remark	QTY	KIT
2	577 37 34-01	TANK ASSY		1	
3	529 31 22-01	HUB CAP		1	2
4	514 31 64-01	GASKET		1	2,3
5	514 08 85-01	CLIP		2	2
6	514 31 89-01	FANNEL		1	2
7	514 31 88-01	TUBE		1	2
8	512 72 06-01	NUT		2	2
9	512 72 08-01	PLATE		1	2
10	514 08 89-01	TUBE		1	2
11	513 23 14-01	CLIP		1	2
12	512 72 13-01	JOINT		1	2
13	512 72 07-01	GASKET		2	2
14	512 72 05-01	JOINT		1	2
16	513 67 62-01	GASKET		1	
17	512 72 01-01	CASE		1	
18	573 93 29-01	CLAMP		2	
19	513 68 02-01	PIN		2	
20	513 68 03-01	SCREW		4	
21	526 33 95-01	HOOK ASSY		2	
22	513 67 54-01	HOOK		1	21
23	513 67 55-01	LEVER		1	21
24	513 67 56-01	BRACKET		1	21
25	513 68 02-01	PIN		2	
26	575 60 90-01	DECAL		1	

E 362M18
SPRAY EQUIPMENT, TOOLS



SPRAY SYSTEM

362M18, 2010-02

Ref	Part No	Description	Remark	QTY	KIT
1	504 06 51-01	HOSE		1	
2	513 68 07-01	CLAMP		1	
3	513 68 08-01	CLAMP		1	
4	514 33 76-01	JOINT		1	
5	514 33 80-01	PIPE		1	
7	520 82 20-01	COCK ASSY		1	
9	514 08 08-01	TUBE		2	7
10	513 23 14-01	CLIP		3	7
11	514 08 09-01	CLAMP		1	7
14	514 31 79-01	PIPE		1	
16	514 31 80-01	VALVE		1	14
17	516 13 47-01	O-RING		1	14
18	514 31 81-01	PIPE		1	14
19	514 31 82-01	STOPPER		1	14
20	514 31 83-01	RING		1	14
21	510 47 20-01	SCREW		1	14
22	514 31 84-01	NOZZLE-A		1	14
24	513 68 49-01	TOOL SET		1	
25	514 09 91-01	WRENCH		1	24
26	506 61 50-01	SPANNER		1	24
27	514 33 82-01	GRIP		1	
28	514 33 83-01	GRIP		1	27
29	514 33 84-01	WING BOLT		1	27
30	514 33 85-01	WING NUT		1	27
31	514 15 44-01	WASHER		2	27