

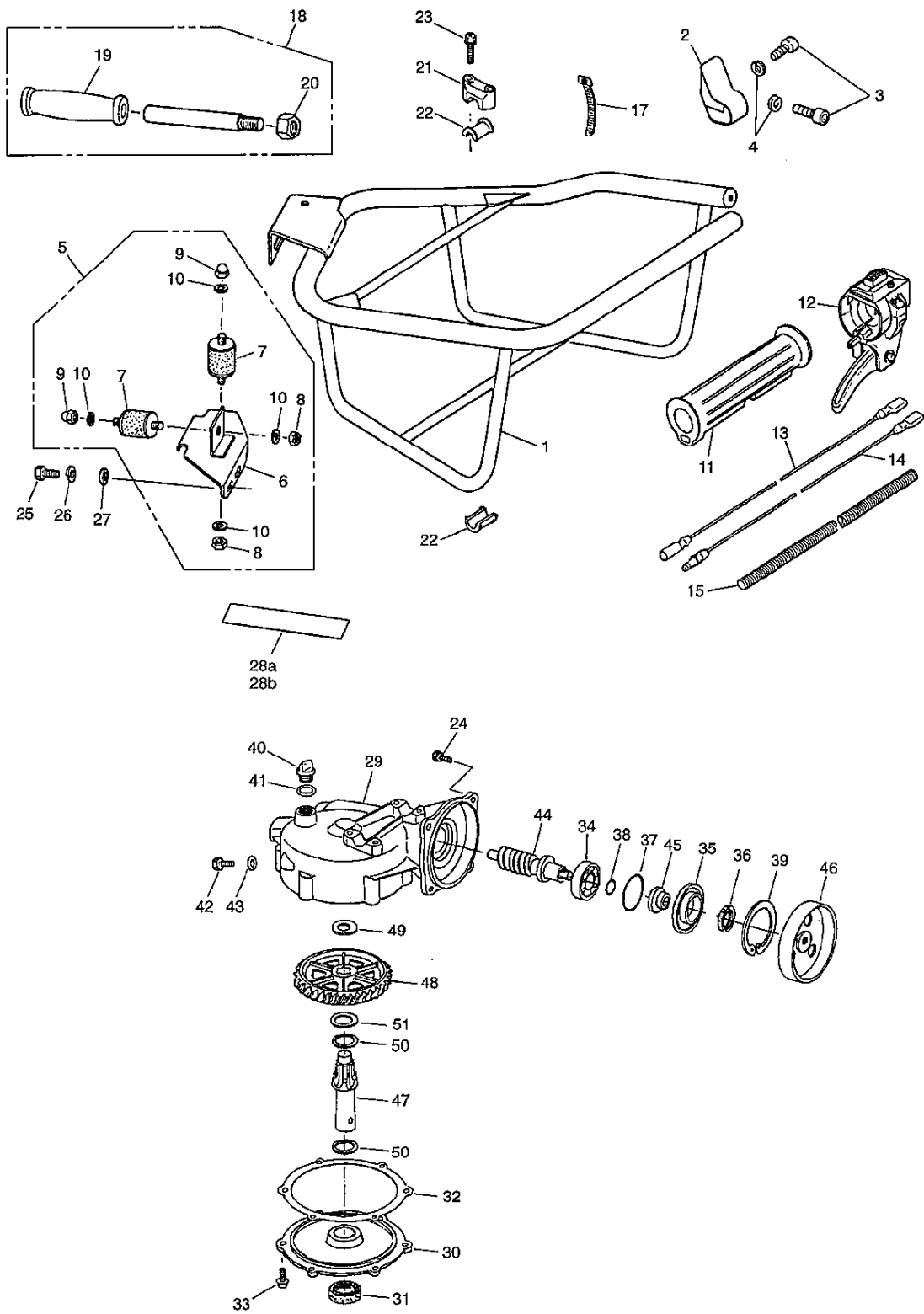


SPARE PARTS LIST

EARTH AUGERS

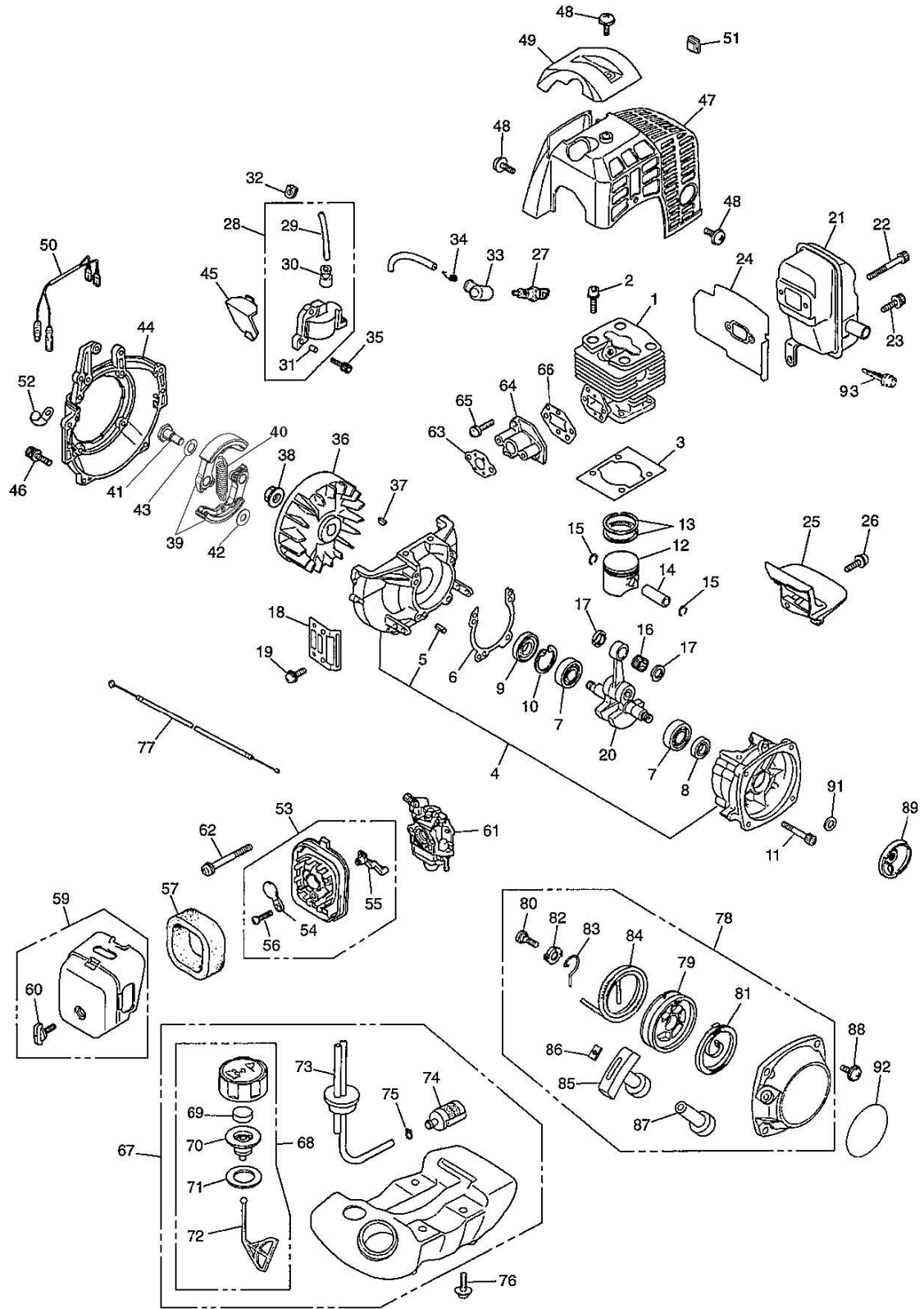
143AE15, 2009-10

A 143AE15
FRAME & GEARCASE



Ref	Part No	Description	Remark	QTY	KIT
1	512 75 84-01	FRAME		1	
2	521 84 59-01	BRACKET		1	
3	516 07 26-01	BOLT		2	
4	516 07 68-01	SPRING WASHER		2	
5	526 42 88-01	BRACKET		1	
6	514 13 85-01	BRACKET		1	5
7	514 13 86-01	MOUNT		2	5
8	510 48 61-01	NUT		2	5
9	513 16 31-01	NUT		2	5
10	510 48 80-01	WASHER		4	5
11	514 39 43-01	GRIP		1	
12	521 52 96-01	LEVER ASSY		1	
13	521 84 61-01	CORD		1	
14	521 84 60-01	CORD		1	
15	521 84 62-01	TUBE		1	
17	514 36 40-01	BAND		1	
18	514 13 63-01	HANDLE		1	
19	515 36 10-01	GRIP		1	18
20	510 48 69-01	NUT		1	18
21	574 00 06-01	HOLDER		2	
22	514 13 80-01	SPACER		4	
23	510 45 77-01	BOLT		4	
24	505 31 24-01	BOLT		4	
25	516 06 67-01	BOLT		2	
26	510 48 80-01	WASHER		2	
27	516 07 90-01	WASHER		2	
28	574 43 49-01	LABEL		1	
29	574 00 02-01	GEAR		1	
30	574 00 04-01	COVER		1	
31	513 41 11-01	SEAL		1	
32	514 13 09-01	GASKET		1	
33	510 47 07-01	SCREW		6	
34	516 12 90-01	BEARING		1	
35	514 13 10-01	RETAINER		1	
36	514 13 12-01	SEAL		1	
37	514 12 97-01	O-RING		1	
38	516 13 47-01	O-RING		1	
39	516 12 66-01	SNAP RING		1	
40	514 13 17-01	PLUG		1	
41	513 55 03-01	O-RING		1	
42	510 44 75-01	BOLT		1	
43	516 13 75-01	PACKING		1	
44	514 13 76-01	WORM		1	
45	514 12 98-01	COLLAR		1	
46	576 24 52-01	DRUM		1	
47	514 13 79-01	SHAFT		1	
48	514 13 77-01	WHEEL		1	
49	514 13 00-01	WASHER		1	
50	514 13 24-01	WASHER		2	
51	514 13 02-01	SHIM			

B 143AE15
ENGINE



ENGINE

143AE15, 2009-10

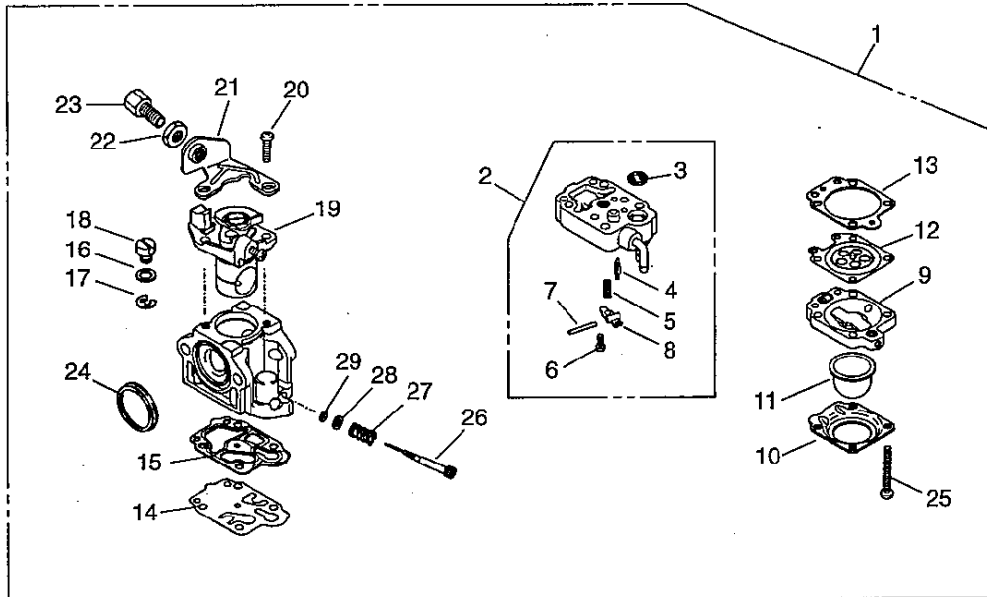
Ref	Part No	Description	Remark	QTY	KIT
1	510 06 42-01	CYLINDER		1	
2	513 41 25-01	BOLT		4	
3	510 06 43-01	GASKET		1	
4	505 29 60-01	CRANKCASE		1	
5	505 29 61-01	PIN		3	4
6	505 29 64-01	GASKET		1	
7	505 29 65-01	BEARING		2	
8	504 12 15-01	SEALING		1	
9	505 29 67-01	SEAL		1	
10	504 12 10-01	SNAP RING		1	
11	506 60 94-01	BOLT		4	
12	505 29 69-01	PISTON		1	
13	510 91 79-01	PISTON RING		2	
14	505 29 71-01	PIN		1	
15	516 28 30-01	RING		2	
16	505 29 73-01	BEARING		1	
17	513 75 24-01	WASHER		2	
18	505 29 62-01	GUARD		1	
19	505 29 98-01	SCREW		1	
20	505 29 75-01	CRANKSHAFT		1	
21	505 29 93-01	MUFFLER		1	
21	574 00 22-01	MUFFLER	Australia (ANSI)	1	
22	505 29 94-01	BOLT		2	
23	505 29 95-01	BOLT		1	
24	526 52 28-01	GASKET		1	
25	505 29 97-01	PLATE.MUFFLER		1	
26	505 29 98-01	SCREW		1	
27	515 49 74-01	SPARKPLUGBPMR7A		1	
28	505 29 83-01	COIL		1	
29	505 29 84-01	CORD.HIGH		1	28
30	505 04 28-01	HUB CAP		1	28
31	505 29 86-01	PIN		2	28
32	515 41 53-01	GROMMET		1	
33	505 29 88-01	HUB CAP		1	
34	505 29 89-01	SPRING		1	
35	505 29 90-01	BOLT		2	
36	505 29 82-01	ROTOR		1	
37	506 68 94-01	KEY		1	
38	504 11 80-01	NUT		1	
39	505 29 76-01	SHOE-C		1	
40	505 29 77-01	SPRING		1	
41	505 29 78-01	SCREW		2	
42	505 29 80-01	WASHER		2	
43	505 29 81-01	WASHER		2	
44	574 72 12-01	COVER		1	
45	505 30 04-01	PLATE		1	
46	505 30 02-01	BOLT		4	
47	505 30 05-01	COVER		1	
47	574 00 36-01	COVER	Australia (ANSI)	1	
48	505 30 06-01	SCREW		4	
49	505 30 11-01	GUARD		1	
50	505 30 14-01	CORD		1	
51	505 30 13-01	GROMMET		1	
52	521 52 51-01	CLAMP		1	
53	505 30 88-01	BODY		1	
54	505 30 89-01	PLATE.CHOKE		1	54
55	505 30 90-01	LEVER.CHOKE		1	53
56	506 61 40-01	SCREW		1	53
57	505 30 92-01	AIR FILTER		1	
59	505 30 93-01	COVER		1	
60	523 07 13-01	KNOB		1	59
61	515 36 80-01	CARBURETOR-A		1	
62	505 30 87-01	SCREW		2	
63	505 30 50-01	GASKET		1	

ENGINE

143AE15, 2009-10

Ref	Part No	Description	Remark	QTY	KIT
64	526 52 05-01	INSULATOR		1	
65	505 30 48-01	SCREW		2	
66	505 30 49-01	GASKET.INSU		1	
67	525 89 85-01	TANK		1	
68	505 30 96-01	CAP		1	67
69	506 74 68-01	FILTER		1	67,68
70	515 36 94-01	HOLDER		1	67,68
71	506 74 43-01	PACKING		1	67,68
72	506 74 58-01	STOPPER		1	67,68
73	505 31 03-01	FUEL HOSE		1	67
74	506 74 26-01	FILTER		1	67
75	506 70 70-01	CLIP		1	67
76	513 35 00-01	SCREW		4	
77	521 84 63-01	CABLE		1	
78	574 01 46-01	STARTER		1	
79	504 11 47-01	REEL		1	78
80	515 36 71-01	SCREW		1	78
81	504 11 50-01	SPIRAL SPRING		1	78
82	504 11 46-01	COLLAR		1	78
83	504 11 48-01	ARM		1	78
84	505 30 28-01	ROPE		1	78
85	505 30 34-01	KNOB		1	78
86	504 11 40-01	STARTER HANDLE		1	78
87	513 25 37-01	ADAPTER		1	78
88	505 30 44-01	SCREW		4	
89	504 11 44-01	PULLEY		1	
91	505 30 46-01	COLLAR		1	
92	574 00 49-01	LABEL		1	
93	513 35 15-01	ARRESTER	Australia (ANSI)	1	

C 143AE15
CARBURETOR

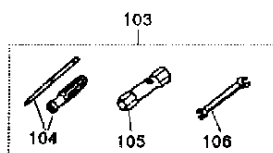
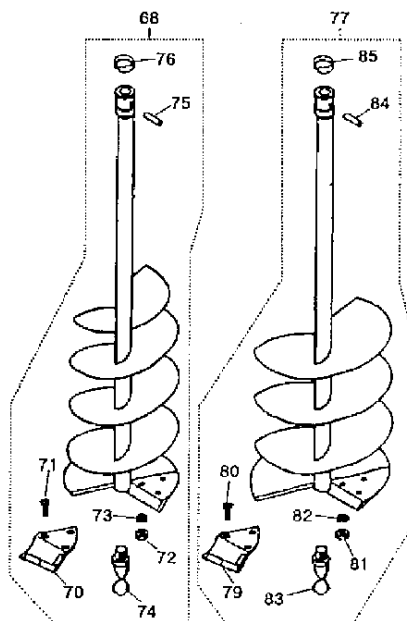
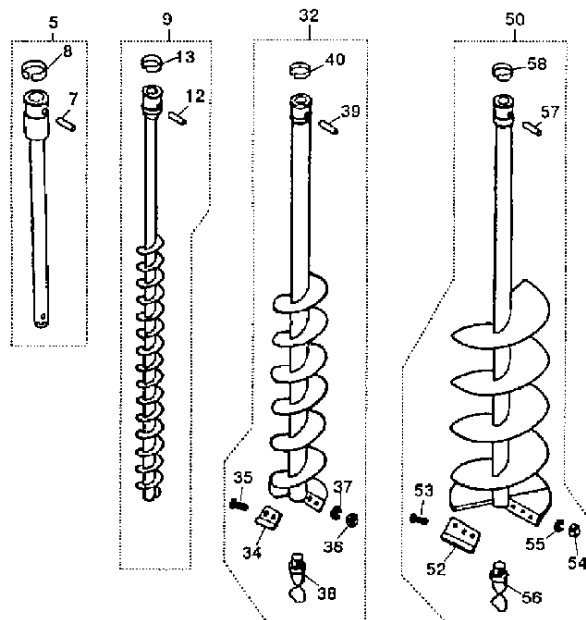


CARBURETOR

143AE15, 2009-10

Ref	Part No	Description	Remark	QTY	KIT
1	515 36 80-01	CARBURETOR-A		1	
2	502 23 84-01	CARBURETTOR BODY		1	1
3	520 95 70-01	SCREEN		1	1,2
4	521 08 54-01	VALVE.INLET		1	1,2
5	505 30 60-01	SPRING		1	1,2
6	505 30 61-01	SCREW		1	1,2
7	520 97 74-01	PIN		1	1,2
8	520 97 72-01	LEVER		1	1,2
9	506 74 09-01	BODY		1	1
10	506 74 10-01	COVER		1	1
11	505 30 67-01	PUMP		1	1
12	505 05 64-01	DIAPHRAGM		1	1
13	506 74 08-01	GASKET		1	
14	506 68 98-01	DIAPHRAGM		1	
15	505 30 72-01	GASKET		1	1
16	506 74 61-01	WASHER		1	1
17	506 73 86-01	RETAINER RING		1	1
18	506 74 12-01	SWIVEL		1	1
19	515 36 81-01	VALVE		1	1
20	505 30 79-01	SCREW		2	1
21	506 74 60-01	BRACKET		1	1
22	506 61 26-01	NUT		1	1
23	515 46 61-01	SCREW		1	1
24	505 30 84-01	RING		1	1
25	506 74 11-01	SCREW		4	1
26	513 28 58-01	NEEDLE		1	1
27	513 30 15-01	SPRING		1	1
28	513 43 77-01	WASHER		1	1
29	513 43 78-01	O-RING		1	1

D 143AE15
DRILL & ACCESSORIES



ACCESSORIES

143AE15, 2009-10

Ref	Part No	Description	Remark	QTY	KIT
5	574 88 43-01	JOINT		1	
7	514 13 03-01	PEN		1	
8	514 13 04-01	CLIP		1	
9	966 42 19-01	ATTACHMENT		1	
12	514 13 03-01	PEN		1	9
13	514 13 04-01	CLIP		1	9
32	966 42 20-01	ATTACHMENT		1	
34	514 14 04-01	TIP.S90		1	32
35	516 06 93-01	SCREW		2	32
36	510 48 61-01	NUT		2	32
37	510 48 80-01	WASHER		2	32
38	514 14 10-01	BIT		1	32
39	514 13 03-01	PEN		1	32
40	514 13 04-01	CLIP		1	32
50	966 42 21-01	ATTACHMENT		1	
52	514 14 09-01	TIP.S150		1	50
53	516 06 93-01	SCREW		3	50
54	510 48 61-01	NUT		3	50
55	510 48 80-01	WASHER		3	50
56	514 14 10-01	BIT		1	50
57	514 13 03-01	PEN		1	50
58	514 13 04-01	CLIP		1	50
68	966 51 16-01	ATTACHMENT		1	
70	514 13 46-01	TIP.S250		1	68
71	516 06 93-01	SCREW		3	68
72	510 48 61-01	NUT		3	68
73	510 48 80-01	WASHER		3	68
74	514 14 10-01	BIT		1	68
75	514 13 03-01	PEN		1	68
76	514 13 04-01	CLIP		1	68
77	966 51 17-01	ATTACHMENT		1	
79	514 13 55-01	TIP.S300		1	77
80	516 06 93-01	SCREW		3	77
81	510 48 61-01	NUT		3	77
82	510 48 80-01	WASHER		3	77
83	514 14 10-01	BIT		1	77
84	514 13 03-01	PEN		1	77
85	514 13 04-01	CLIP		1	77
103	514 14 60-01	TOOL SET		1	
104	506 68 95-01	DRIVER		1	103
105	514 15 67-01	SOCKET		1	103
106	506 61 50-01	SPANNER		1	103