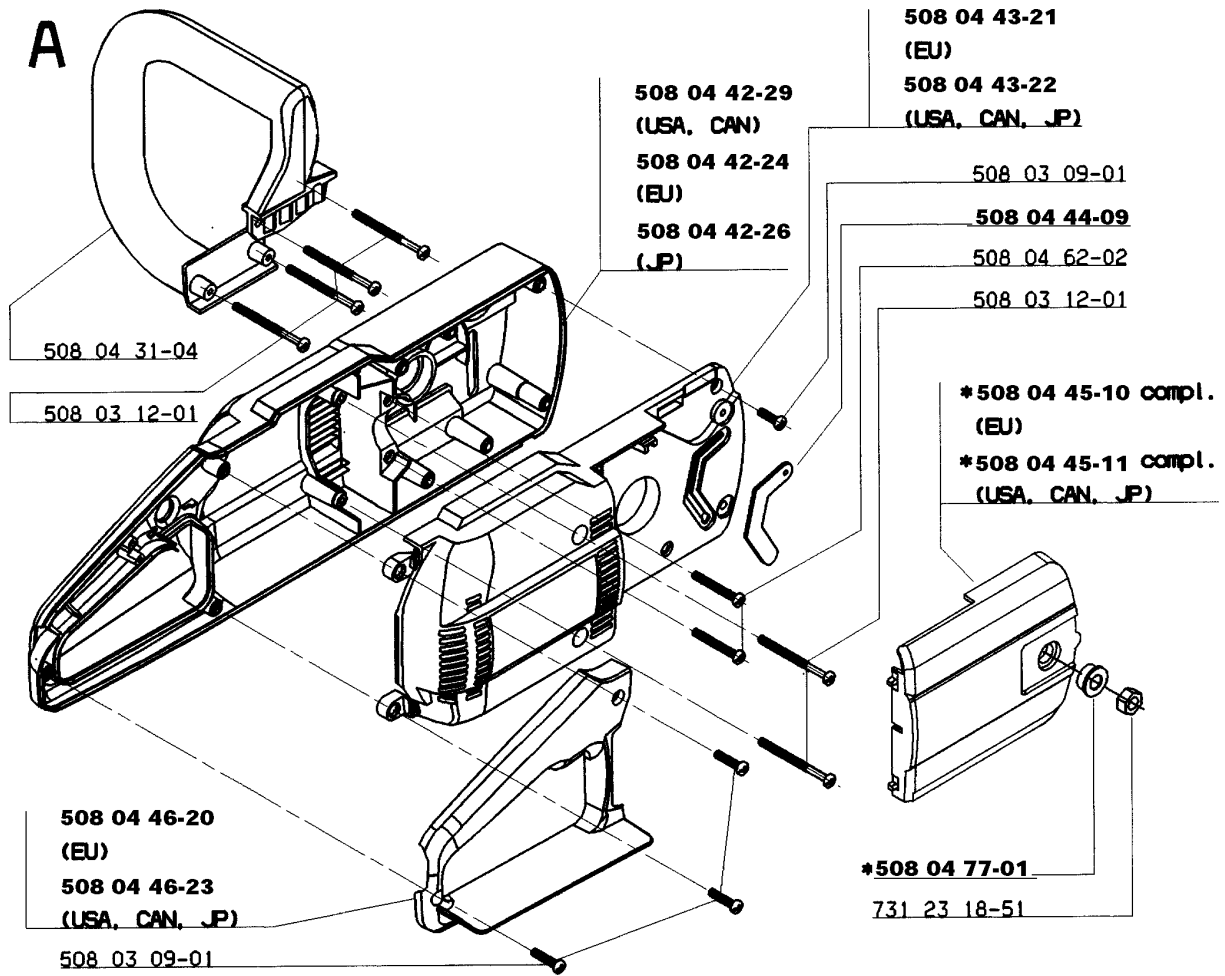




# SPARE PARTS LIST

CHAIN SAWS: ELECTRIC

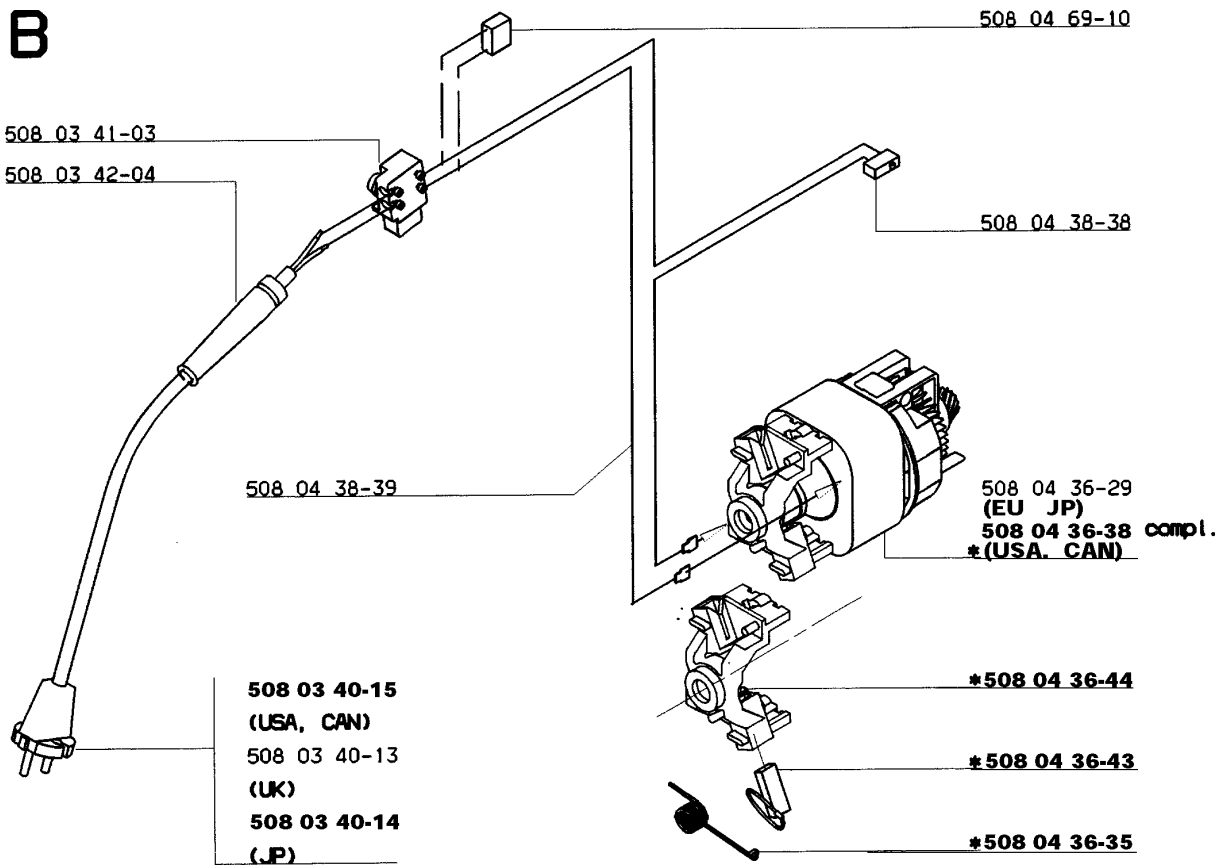
16 ELECTRIC, 19991400001-Current



## CHASSIS / FRAME

16 ELECTRIC, 19991400001-Current

| Part No      | Description    | Remark       | QTY KIT |
|--------------|----------------|--------------|---------|
| 508 03 09-01 | SCREW          |              | 1       |
| 508 03 09-01 | SCREW          |              | 1       |
| 508 03 12-01 | SCREW          |              | 1       |
| 508 03 12-01 | SCREW          |              | 1       |
| 508 04 31-04 | TUBULAR HANDLE |              | 1       |
| 508 04 42-24 | HOUSING        | EU           | 1       |
| 508 04 42-26 | HOUSING        | JP           | 1       |
| 508 04 42-29 | HOUSING        | USA, CAN     | 1       |
| 508 04 43-21 | HOUSING        | EU           | 1       |
| 508 04 43-22 | HOUSING        | USA, CAN, JP | 1       |
| 508 04 44-09 | GASKET         |              | 1       |
| 508 04 45-10 | COVER          | EU           | 1       |
| 508 04 45-11 | COVER          | USA, CAN, JP | 1       |
| 508 04 46-20 | HANDLE         | EU           | 1       |
| 508 04 46-23 | HANDLE         | USA, CAN, JP | 1       |
| 508 04 62-02 | SCREW          |              | 1       |
| 508 04 77-01 | SPACER         |              | 1       |
| 731 23 18-51 | HEXAGON NUT    |              | 1       |



## ELECTRICAL

16 ELECTRIC, 19991400001-Current

| Part No      | Description | Remark   | QTY KIT |
|--------------|-------------|----------|---------|
| 508 03 40-13 | CABLE       | UK       | 1       |
| 508 03 40-14 | CABLE       | JP       | 1       |
| 508 03 40-15 | CABLE       | USA, CAN | 1       |
| 508 03 41-03 | SWITCH      |          | 1       |
| 508 03 42-04 | SLEEVE      |          | 1       |
| 508 04 36-29 | ENGINE      | EU JP    | 1       |
| 508 04 36-35 | SPRING      |          | 1       |
| 508 04 36-38 | ENGINE      | USA. CAN | 1       |
| 508 04 36-43 | BRUSH       |          | 1       |
| 508 04 36-44 | BRACKET     |          | 1       |
| 508 04 38-38 | SWITCH      |          | 1       |
| 508 04 38-39 | CABLE       |          | 1       |
| 508 04 69-10 | CAPACITOR   |          | 1       |

**C**

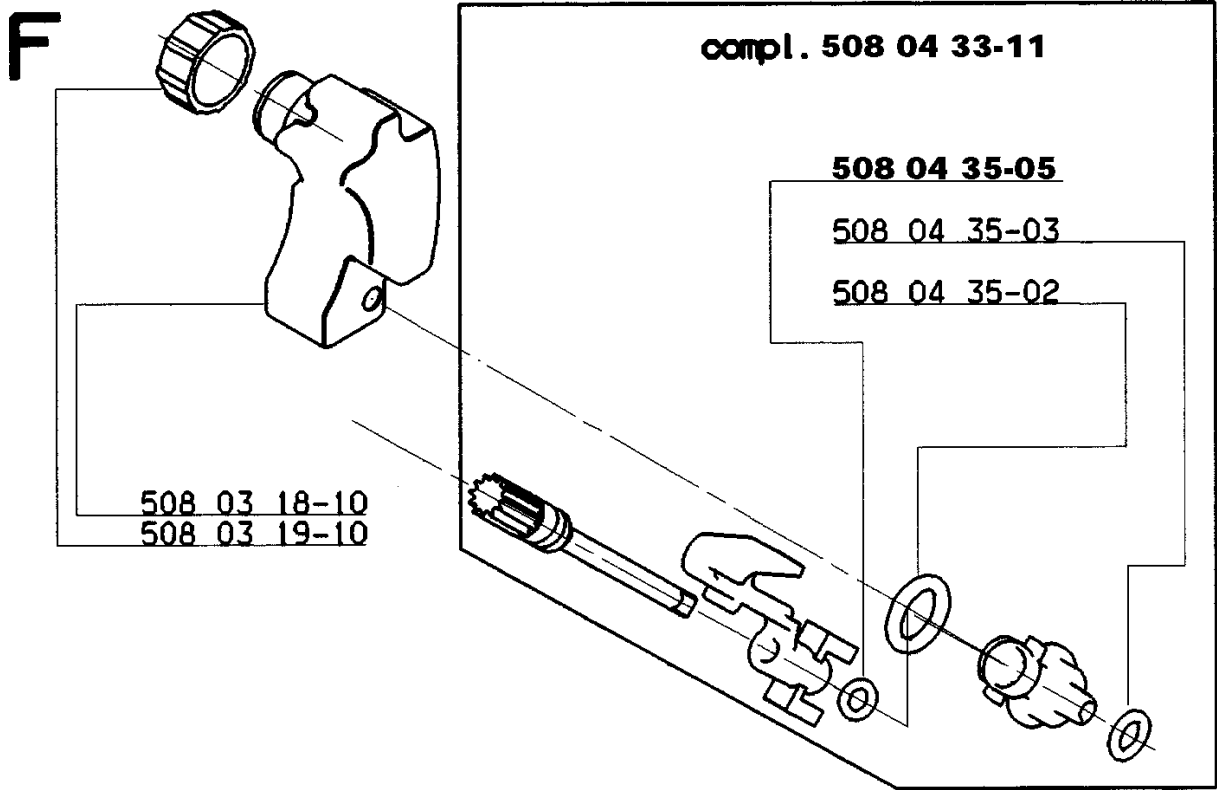


**508 03 86-05**

DECALS

16 ELECTRIC, 19991400001-Current

| Part No      | Description | Remark | QTY KIT |
|--------------|-------------|--------|---------|
| 508 03 86-05 | DECAL       |        | 1       |



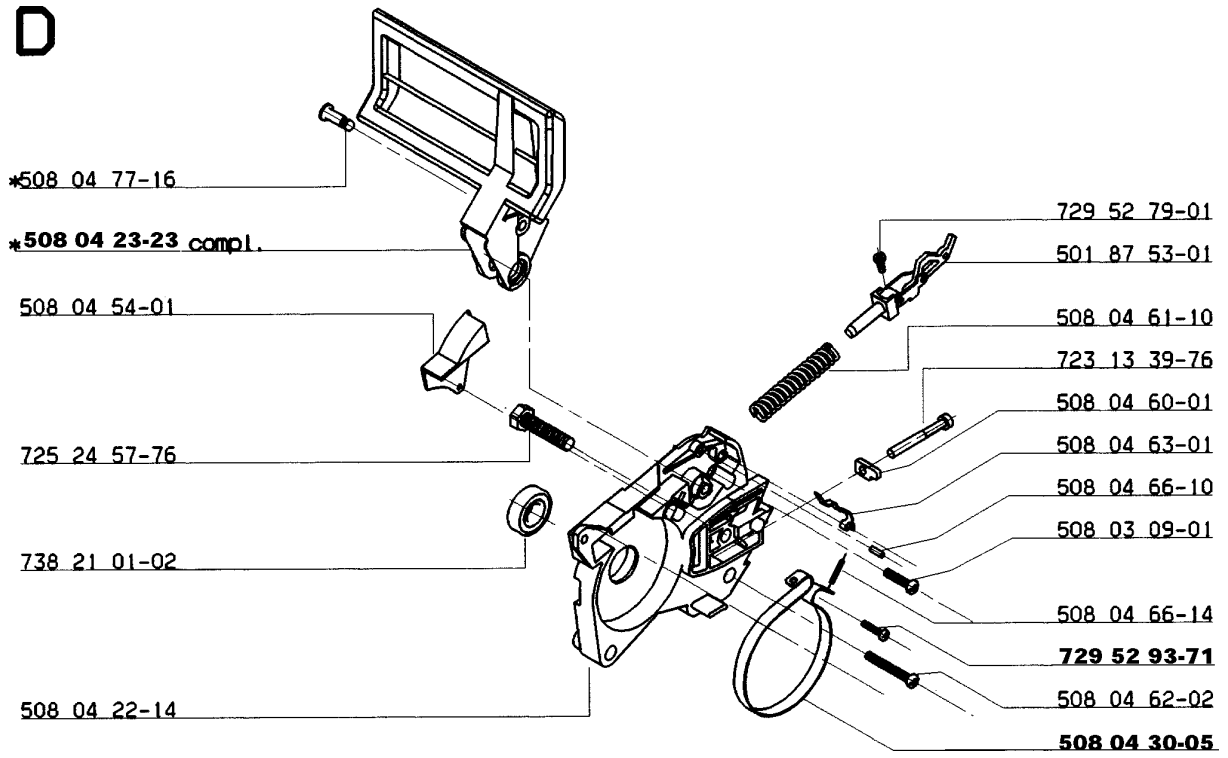


OIL TANK

16 ELECTRIC, 19991400001-Current

| Part No      | Description | Remark | QTY KIT |
|--------------|-------------|--------|---------|
| 508 03 18-10 | OIL TANK    |        | 1       |
| 508 03 19-10 | TANK        |        | 1       |
| 508 04 33-11 | OIL PUMP    |        | 1       |
| 508 04 35-02 | O-RING      |        | 1       |
| 508 04 35-03 | O-RING      |        | 1       |
| 508 04 35-05 | O-RING      |        | 1       |

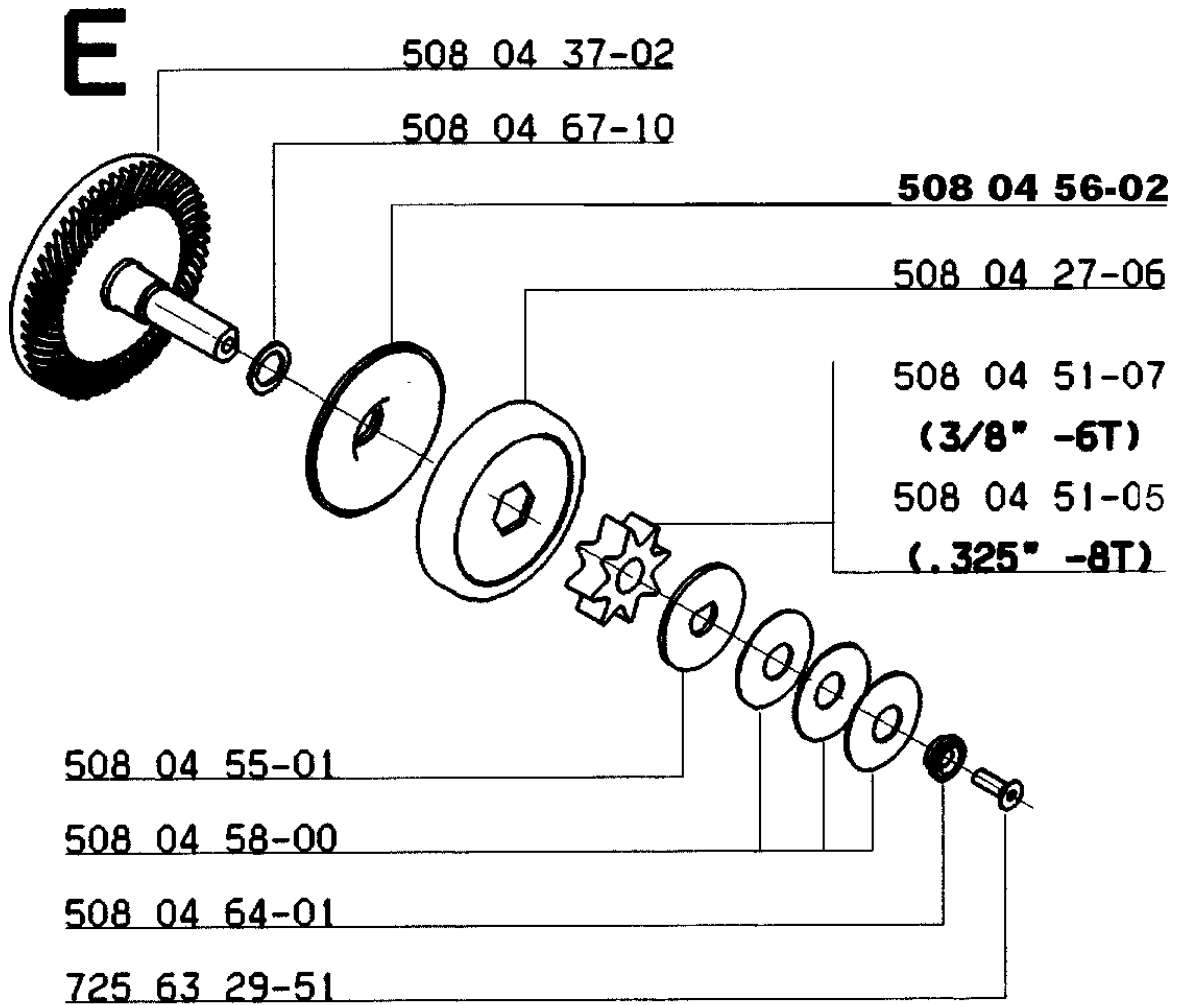
D



## CHAIN BRAKE

16 ELECTRIC, 19991400001-Current

| Part No      | Description         | Remark | QTY KIT |
|--------------|---------------------|--------|---------|
| 501 87 53-01 | KNEE JOINT ASSY     |        | 1       |
| 508 03 09-01 | SCREW               |        | 1       |
| 508 04 22-14 | BRACKET             |        | 1       |
| 508 04 23-23 | LOOP                |        | 1       |
| 508 04 30-05 | BRAKE BAND          |        | 1       |
| 508 04 54-01 | INSULATOR           |        | 1       |
| 508 04 60-01 | CHAIN TENSIONER     |        | 1       |
| 508 04 61-10 | SPRING              |        | 1       |
| 508 04 62-02 | SCREW               |        | 1       |
| 508 04 63-01 | SPRING              |        | 1       |
| 508 04 66-10 | PEN                 |        | 1       |
| 508 04 66-14 | SCREW               |        | 1       |
| 508 04 77-16 | PIN RETAINING SCREW |        | 1       |
| 723 13 39-76 | SCREW SLCHM         |        | 1       |
| 725 24 57-76 | SCREW EHHM          |        | 1       |
| 729 52 79-01 | SCREW CRPANT        |        | 1       |
| 729 52 93-71 | SCREW CRPANT        |        | 1       |
| 738 21 01-02 | BALL BEARING        |        | 1       |

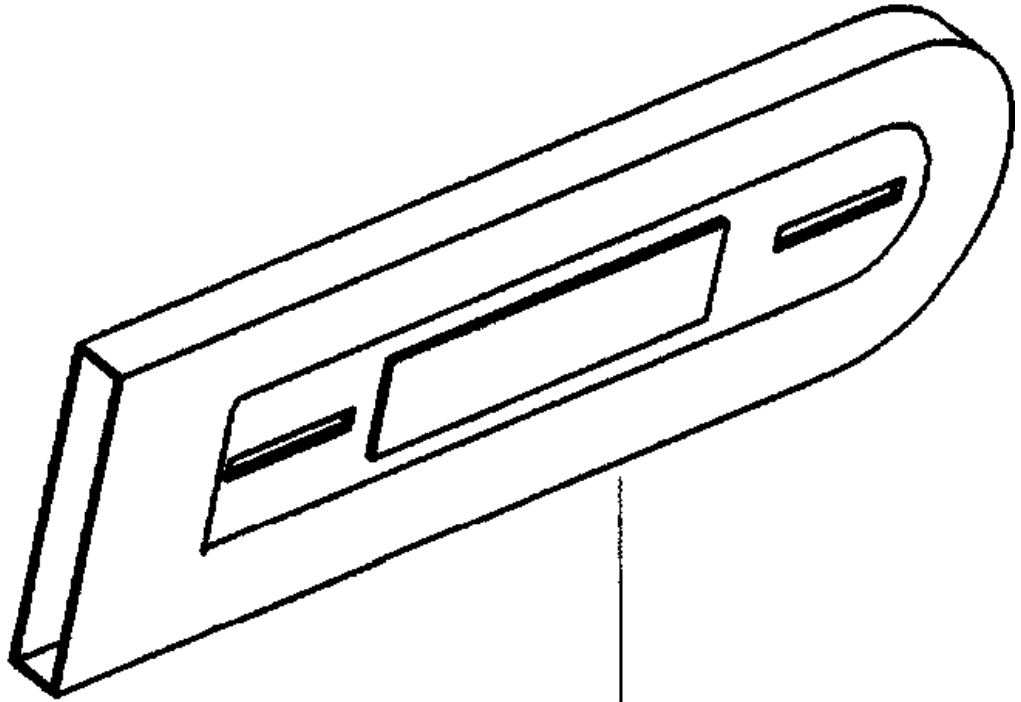


## CLUTCH

16 ELECTRIC, 19991400001-Current

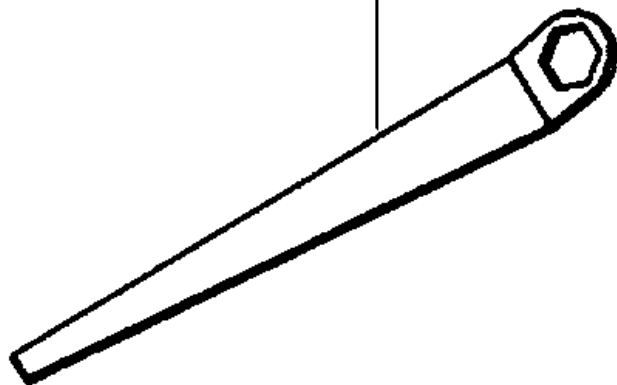
| Part No      | Description  | Remark   | QTY KIT |
|--------------|--------------|----------|---------|
| 508 04 27-06 | CLUTCH DRUM  |          | 1       |
| 508 04 37-02 | GEAR WHEEL   |          | 1       |
| 508 04 51-05 | GEAR         | .325 -8T | 1       |
| 508 04 51-07 | GEAR         | 3/8 -6T  | 1       |
| 508 04 55-01 | PLATE        |          | 1       |
| 508 04 56-02 | PLATE        |          | 1       |
| 508 04 58-00 | WASHER       |          | 1       |
| 508 04 64-01 | CARRIER      |          | 1       |
| 508 04 67-10 | WASHER       |          | 1       |
| 725 63 29-51 | SCREW IHCSFM |          | 1       |

**G**



**501 83 44-09**

**508 03 80-02**



## ACCESSORIES

16 ELECTRIC, 19991400001-Current

| Part No      | Description | Remark | QTY KIT |
|--------------|-------------|--------|---------|
| 501 83 44-09 | BAR COVER   |        | 1       |
| 508 03 80-02 | WRENCH      |        | 1       |