



# SPARE PARTS LIST

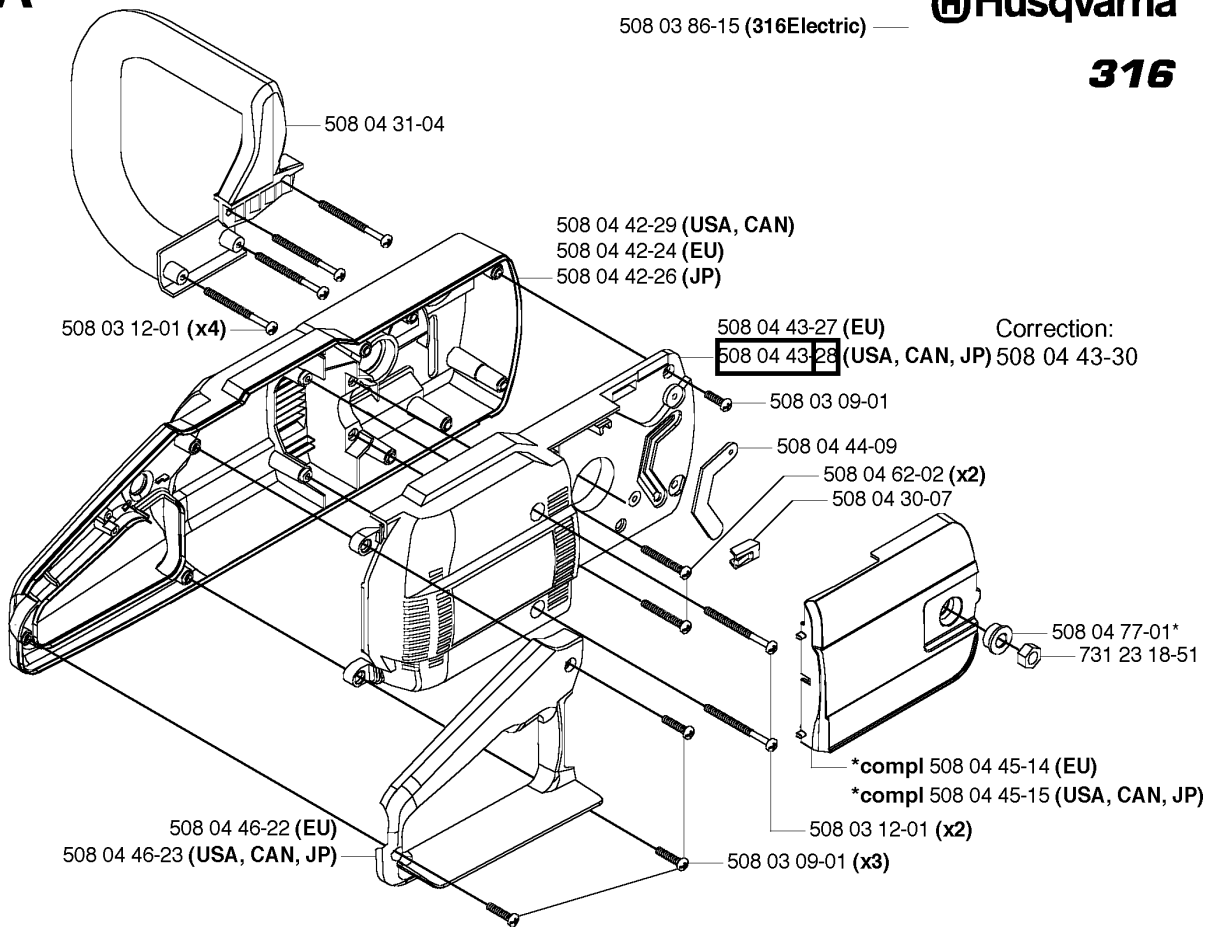
CHAIN SAWS: ELECTRIC

316 ELECTRIC, 20033100001-Current

**A** HUSQVARNA 316Electric 120v

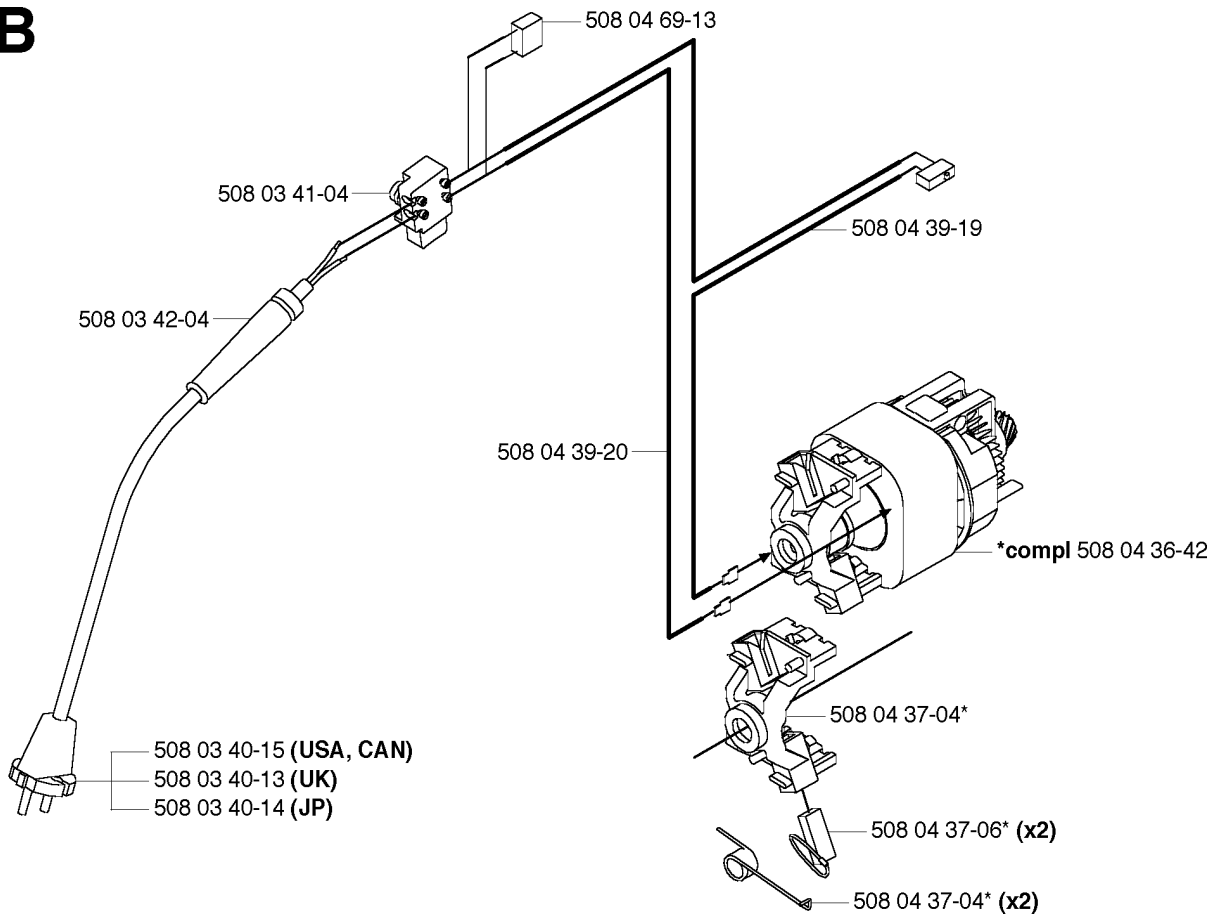
508 03 86-15 (316Electric) — 

**316**



Ref	Part No	Description	Remark	QTY KIT
508 04 31-04	508 04 31-04	TUBULAR HANDLE		1
508 03 12-01	508 03 12-01	SCREW		4
508 04 46-22	508 04 46-22	HANDLE	EU	1
508 04 46-23	508 04 46-23	HANDLE	USA, CAN, JP	1
508 03 09-01	508 03 09-01	SCREW		3
508 03 12-01	508 03 12-01	SCREW		2
508 04 45-15	508 04 45-15	COVER	USA, CAN, JP	1
508 04 45-14	508 04 45-14	COVER	EU	1
731 23 18-51	731 23 18-51	HEXAGON NUT		1
508 04 77-01	508 04 77-01	SPACER		1
508 04 30-07	508 04 30-07	COVER		1
508 04 62-02	508 04 62-02	SCREW		2
508 04 44-09	508 04 44-09	GASKET		1
508 03 09-01	508 03 09-01	SCREW		1
508 04 43-30	508 04 43-30	HOUSING	CORRECTION:	1
508 04 43-27	508 04 43-27	HOUSING	EU	1
508 04 42-26	508 04 42-26	HOUSING	JP	1
508 04 42-24	508 04 42-24	HOUSING	EU	1
508 04 42-29	508 04 42-29	HOUSING	USA, CAN	1
508 03 86-15	508 03 86-12	DECAL	316ELECTRIC	1

**B**

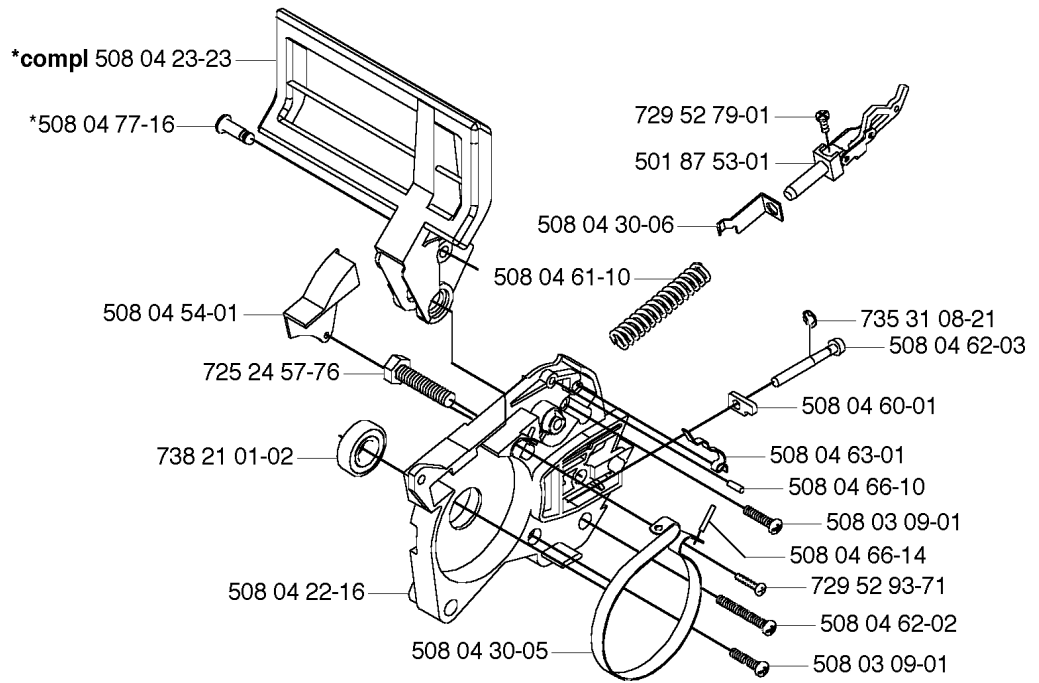


## ELECTRICAL

316 ELECTRIC, 20033100001-Current

Part No	Description	Remark	QTY KIT
508 03 40-13	CABLE	UK	1
508 03 40-14	CABLE	JP	1
508 03 40-15	CABLE	USA, CAN	1
508 03 41-04	SWITCH		1
508 03 42-04	SLEEVE		1
508 04 36-42	ENGINE		1
508 04 37-04	BRACKET		2
508 04 37-04	BRACKET		1
508 04 37-06	BRUSH		2
508 04 39-19	MICRO SWITCH		1
508 04 39-20	CABLE ASSY		1
508 04 69-13	CAPACITOR		1

C

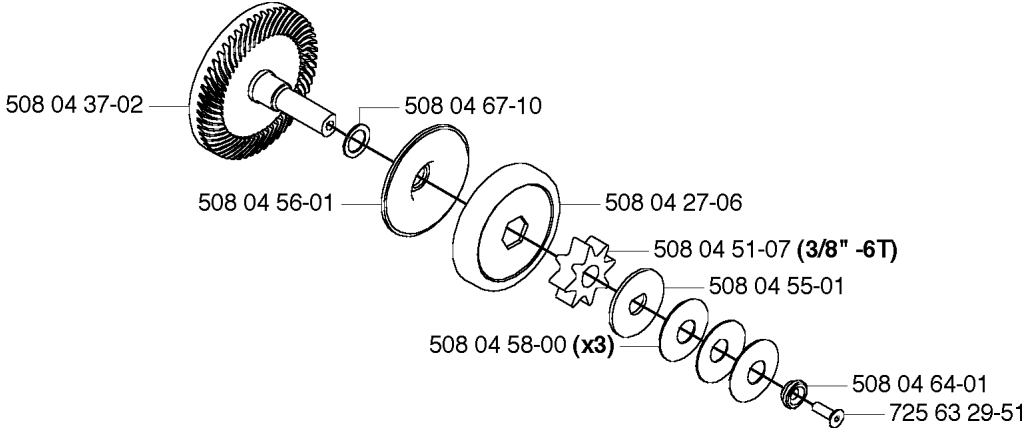


## CHAIN BRAKE

316 ELECTRIC, 20033100001-Current

Part No	Description	Remark	QTY KIT
501 87 53-01	KNEE JOINT ASSY		1
508 03 09-01	SCREW		1
508 03 09-01	SCREW		1
508 04 22-16	BRACKET		1
508 04 23-23	LOOP		1
508 04 30-05	BRAKE BAND		1
508 04 30-06	SPRING		1
508 04 54-01	INSULATOR		1
508 04 60-01	CHAIN TENSIONER		1
508 04 61-10	SPRING		1
508 04 62-02	SCREW		1
508 04 62-03	SCREW		1
508 04 63-01	SPRING		1
508 04 66-10	PEN		1
508 04 66-14	SCREW		1
508 04 77-16	PIN RETAINING SCREW		1
725 24 57-76	SCREW EHHM		1
729 52 79-01	SCREW CRPANT		1
729 52 93-71	SCREW CRPANT		1
735 31 08-21	E-CLIP		1
738 21 01-02	BALL BEARING		1

**D**



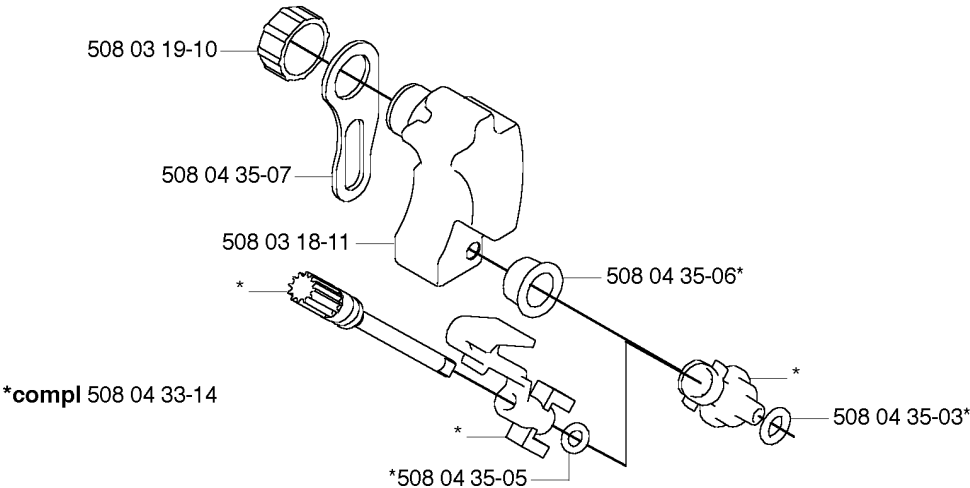


## CLUTCH

316 ELECTRIC, 20033100001-Current

Part No	Description	Remark	QTY KIT
508 04 27-06	CLUTCH DRUM		1
508 04 37-02	GEAR WHEEL		1
508 04 51-07	GEAR	3/8 -6T	1
508 04 55-01	PLATE		1
508 04 56-01	PLATE		1
508 04 58-00	WASHER		3
508 04 64-01	CARRIER		1
508 04 67-10	WASHER		1
725 63 29-51	SCREW IHCSFM		1

**E**

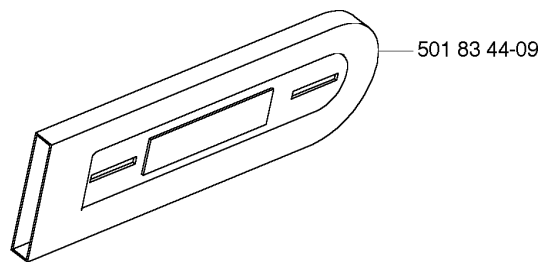
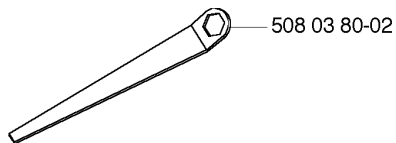


OIL TANK

316 ELECTRIC, 20033100001-Current

Part No	Description	Remark	QTY KIT
508 03 18-11	TANK		1
508 03 19-10	TANK		1
508 04 33-14	OIL PUMP		1
508 04 35-03	O-RING		1
508 04 35-05	O-RING		1
508 04 35-06	SEALING		1
508 04 35-07	GASKET		1

**F** Accessories  
Zubehöre  
Accessoires  
Acessorios  
Tillbehör



## ACCESSORIES

316 ELECTRIC, 20033100001-Current

Part No	Description	Remark	QTY KIT
501 83 44-09	BAR COVER		1
508 03 80-02	WRENCH		1