

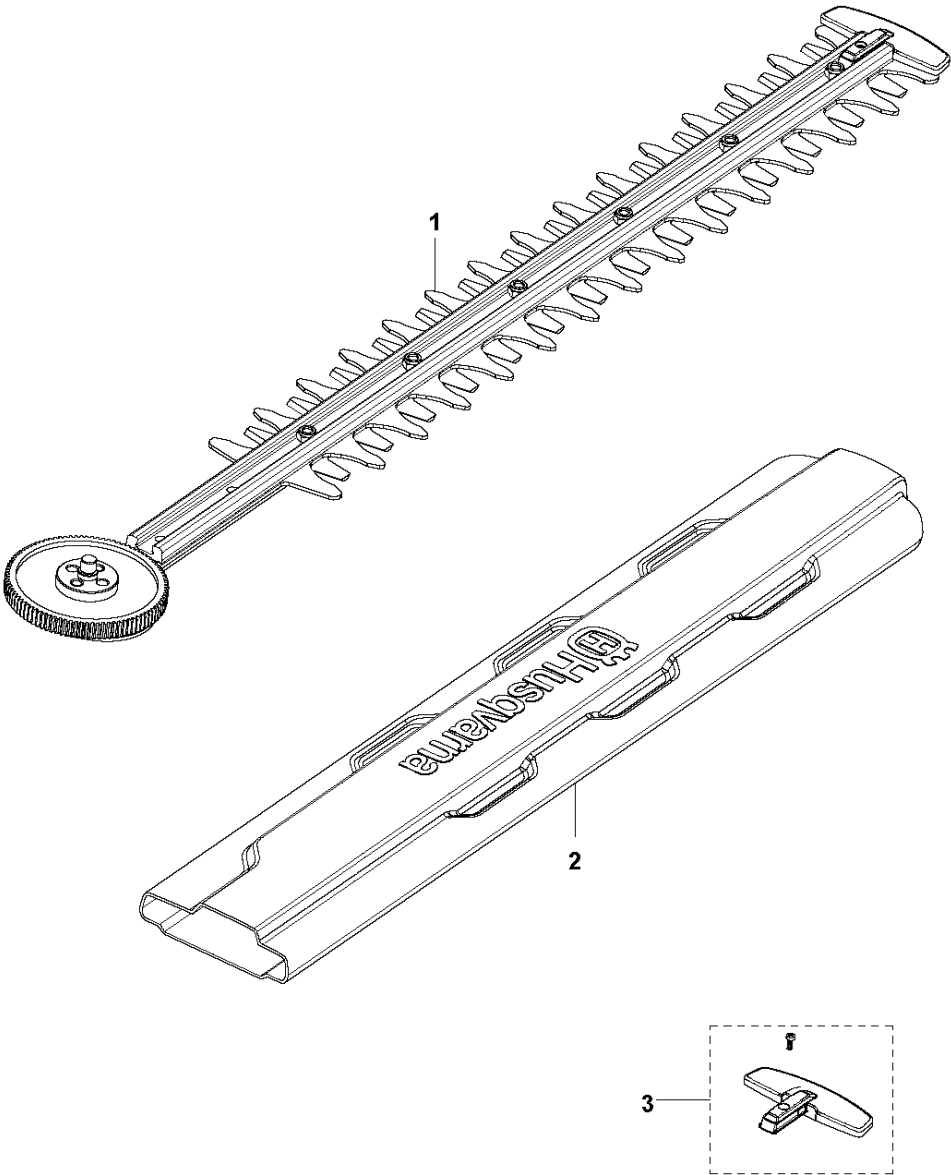


SPARE PARTS LIST

HEDGE TRIMMERS/POLE HEDGE
TRIMMERS

115 iHD45, 967098301, 967098302,
967098303

A 115 iHD45
CUTTING EQUIPMENT



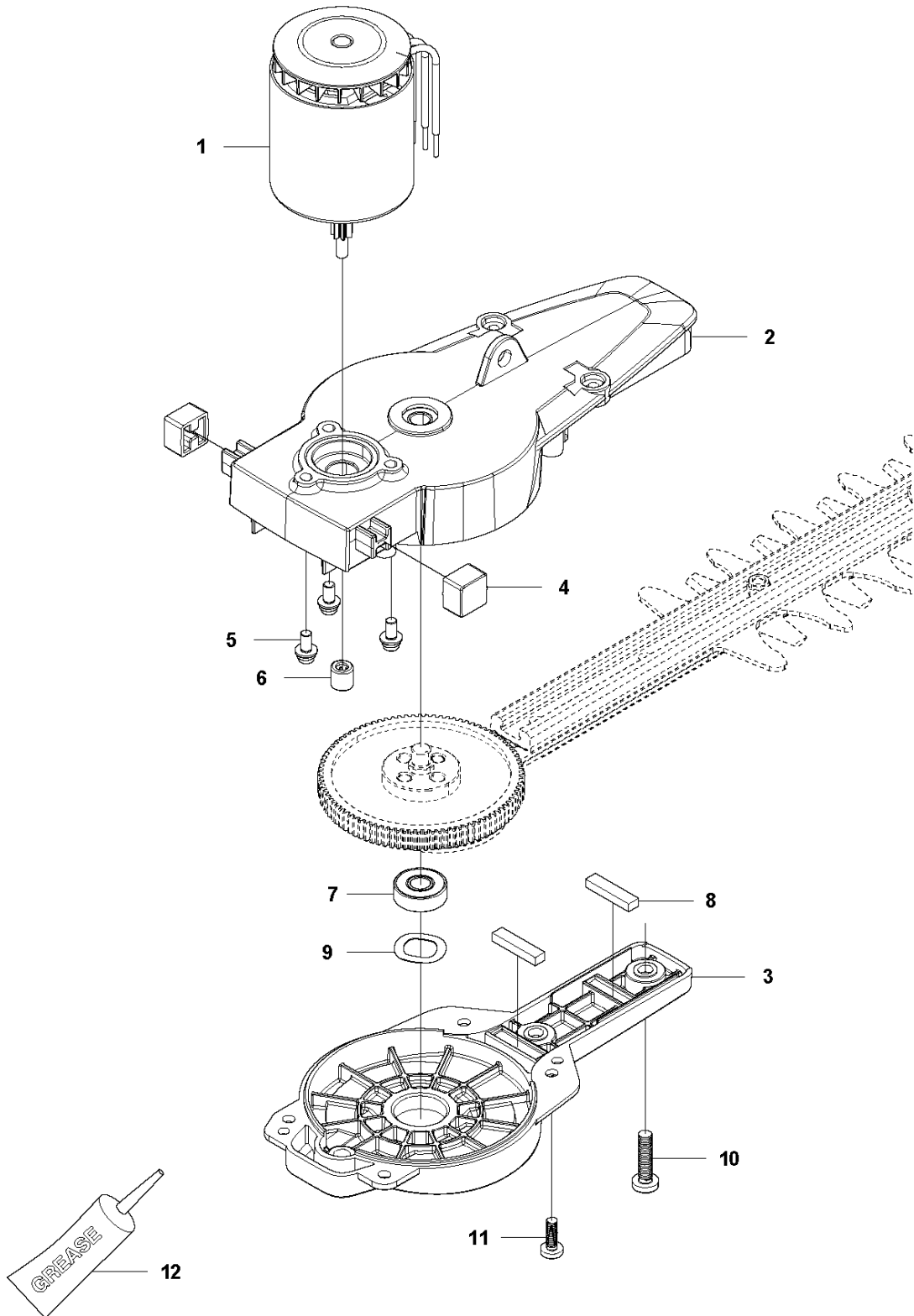
CUTTING EQUIPMENT

115 iHD45, 967098301, 967098302, 967098303

Ref	Part No	Description	Remark	QTY KIT
1	590 65 51-01	DRIVER ASSY		1
2	585 63 73-01	BLADE		1
3	588 76 01-01	BLADE		1

B1 115 iHD45
GEARS

967098301, UP TO S/N 20181600359
967098302/967098303 UP TO S/N 20181600001



GEARS

115 iHD45, 967098301, 967098302, 967098303

Ref	Part No	Description	Remark	QTY KIT
1	589 60 59-01	MOTOR		1
2	589 76 67-01	GEAR		1
3	582 49 26-01	COVER		1
4	585 81 88-01	SLEEVE		2
5	585 94 44-01	SCREW		3
6	585 62 83-01	NEEDLE BEARING		1
7	585 63 58-01	BALL BEARING		1
8	585 62 82-01	PAD		2
9	588 26 77-01	GEARBOX		1
10	585 81 86-01	SCREW		2
11	585 81 87-01	SCREW		4
12	503 98 96-03	GREASE	20g	1

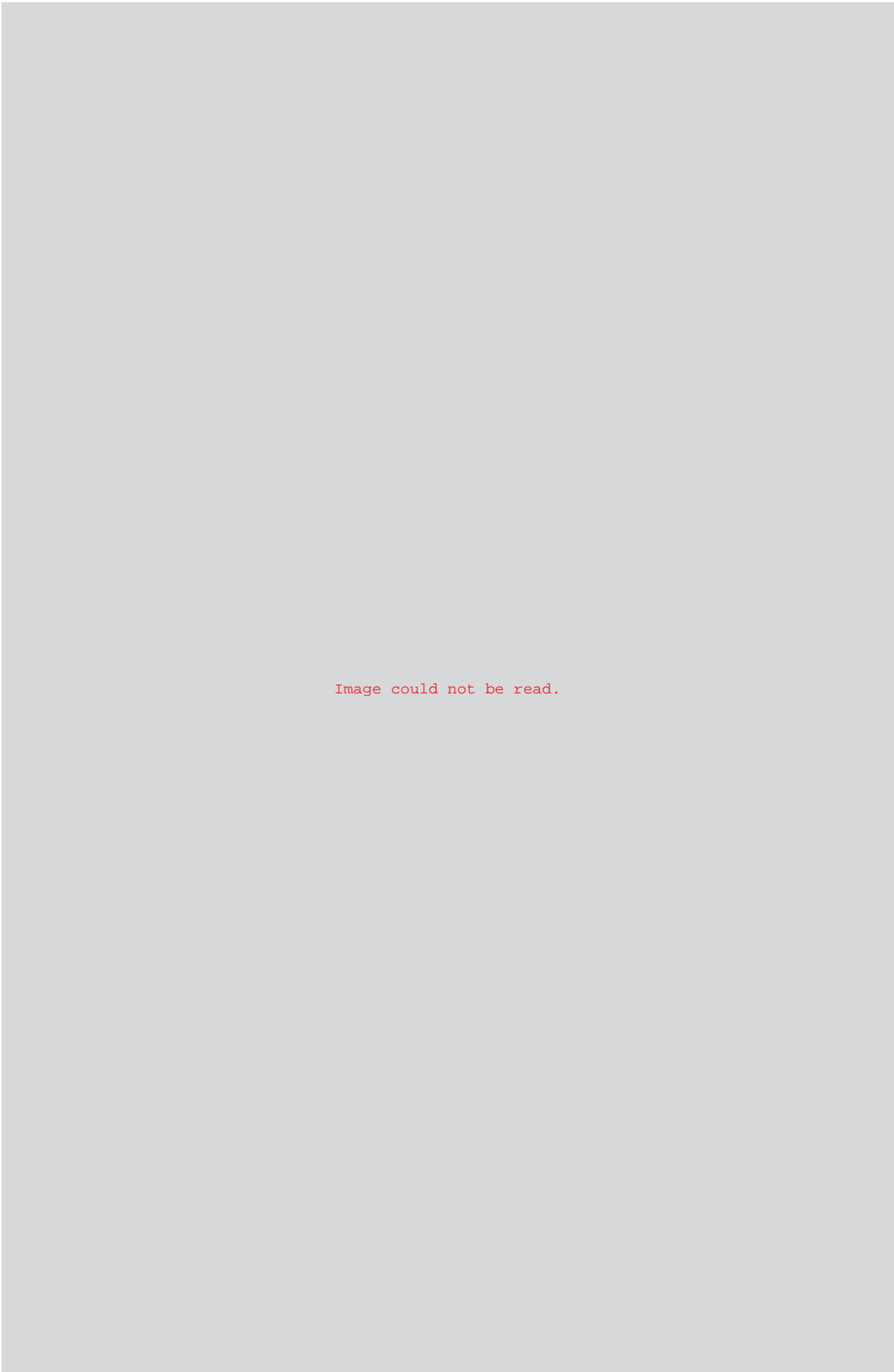


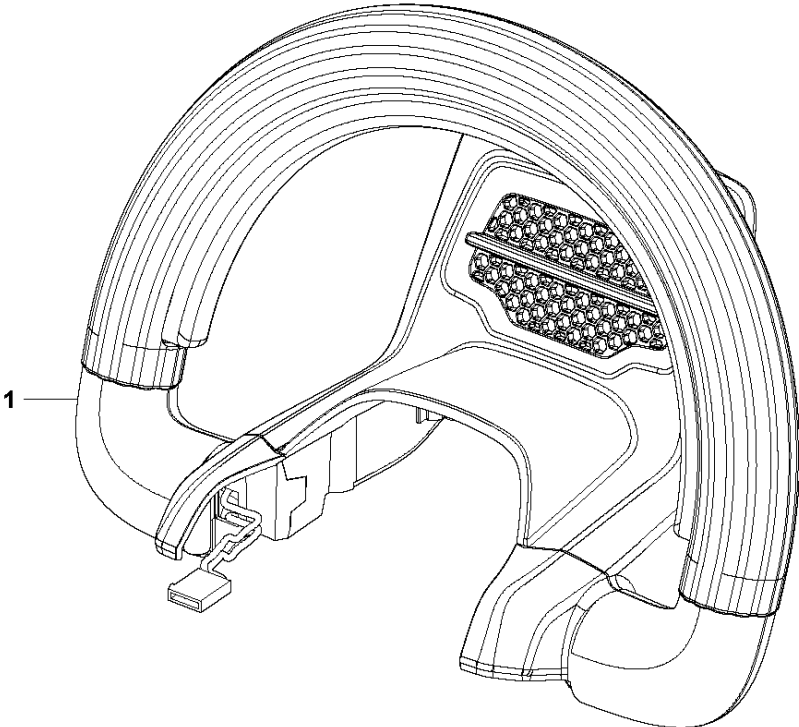
Image could not be read.

GEARS

115 iHD45, 967098301, 967098302, 967098303

Ref	Part No	Description	Remark	QTY KIT
1	590 67 52-01	MOTOR		1
2	591 36 87-01	GEAR		1
3	582 49 26-01	COVER		1
4	585 81 88-01	SLEEVE		2
5	585 94 44-01	SCREW		3
6	586 90 30-02	SCREW		2
7	585 63 58-01	BALL BEARING		1
8	585 62 82-01	PAD		2
9	588 26 77-01	GEARBOX		1
10	585 81 86-01	SCREW		2
11	585 81 87-01	SCREW		4
12	503 98 96-03	GREASE	20g	1

C 115 iHD45
HANDLE

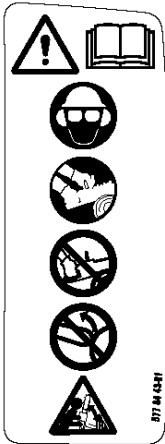
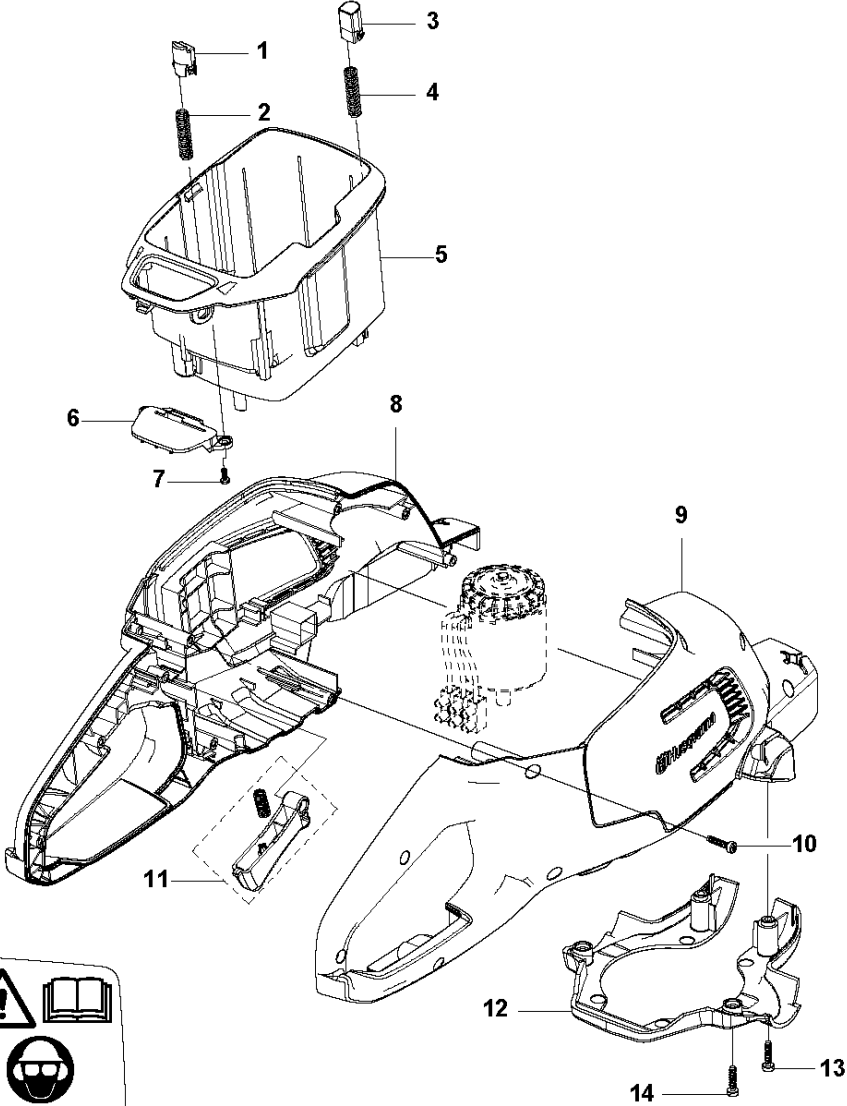


HANDLE

115 iHD45, 967098301, 967098302, 967098303

Ref	Part No	Description	Remark	QTY KIT
1	591 42 64-01	HANDLE	For 967098301 HIGHER THAN S/N 20181600359, 967098302/967098303 HIGHER THAN S/N 20181600001	1
1	588 76 04-01	HANDLE	For 967098301 UP TO S/N 20181600359, 967098302/967098303 UP TO S/N 20181600001	1

D 115 iHD45
HOUSING



15

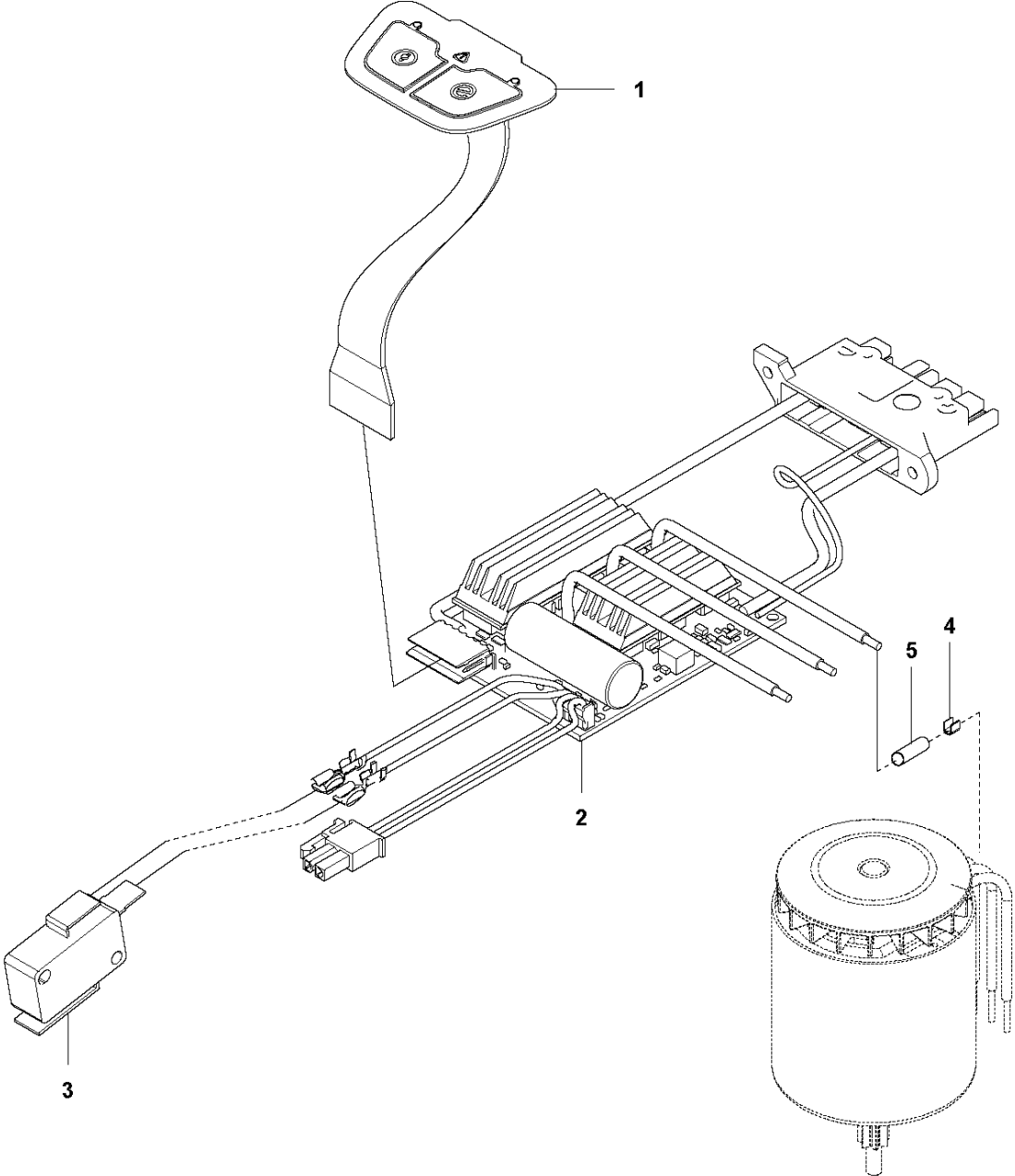
HOUSING

115 iHD45, 967098301, 967098302, 967098303

Ref	Part No	Description	Remark	QTY KIT
1	577 99 66-01	PUSH BUTTON		1
2	585 63 62-01	SPRING		1
3	585 63 60-01	PUSH BUTTON		1
4	585 63 66-01	SPRING		1
5	585 63 49-01	BATTERY BOX		1
6	585 63 50-01	BRACKET		1
7	585 81 89-01	SCREW		4
8	588 14 58-03	HOUSING		1
9	588 14 57-01	HOUSING		1
10	585 81 90-02	SCREW		9
11	588 76 05-01	TRIGGER	For 967098301 UP TO S/N 20181600359, 967098302/967098303 UP TO S/N 20181600001	1
11	593 35 21-01	TRIGGER	For 967098301 HIGHER THAN S/N 20181600359, 967098302/967098303 HIGHER THAN S/N 20181600001	1
12	585 63 39-01	COVER		1
13	591 46 82-02	SCREW		2
14	591 46 82-01	SCREW		2
15	577 84 43-01	DECAL		1

E1 115 iHD45
ELECTRICAL

967098301, UP TO S/N 20181600359
967098302/967098303, UP TO S/N 20181600001



ELECTRICAL

115 iHD45, 967098301, 967098302, 967098303

Ref	Part No	Description	Remark	QTY KIT
1	582 54 16-01	KEYPAD		1
2	582 40 59-07	CONTROL UNIT		1
3	585 59 06-01	MICRO SWITCH		1
4	588 25 97-01	TERMINAL		3
5	588 25 98-01	SLEEVE		3

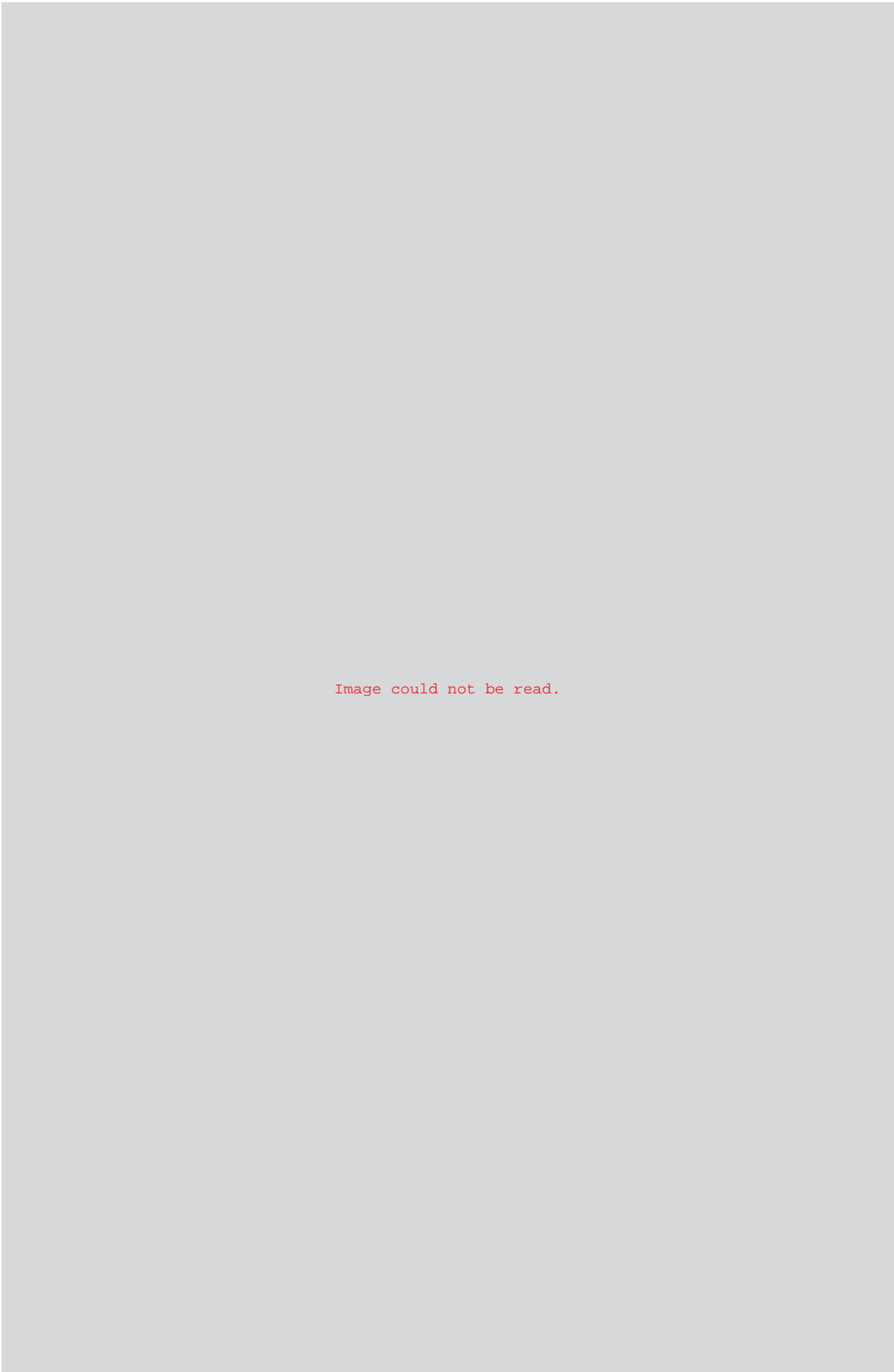


Image could not be read.

ELECTRICAL

115 iHD45, 967098301, 967098302, 967098303

Ref	Part No	Description	Remark	QTY KIT
1	582 54 16-01	KEYPAD		1
2	593 26 46-02	CONTROL UNIT		1
3	590 80 85-01	MICRO SWITCH		1