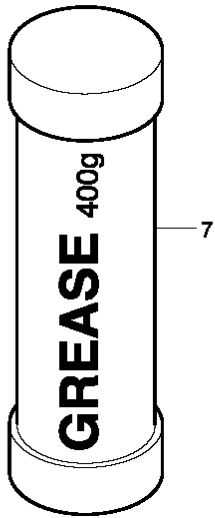
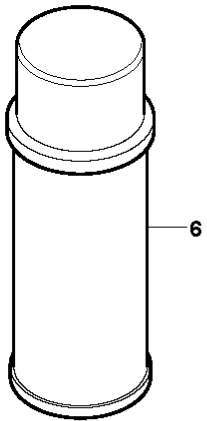
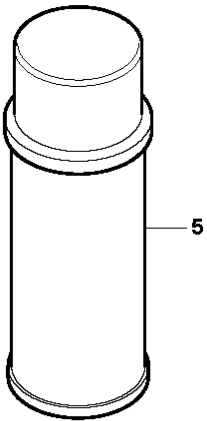
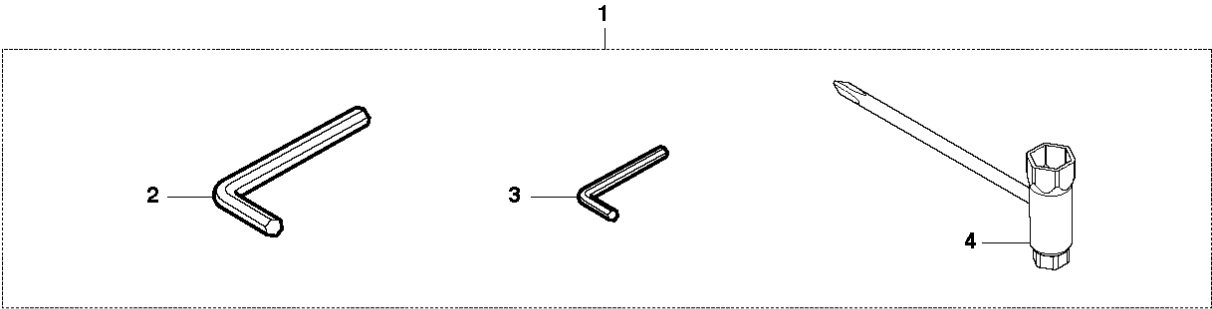




SPARE PARTS LIST

HEDGE TRIMMERS/POLE HEDGE
TRIMMERS

123 HD60, 20100600001-Current

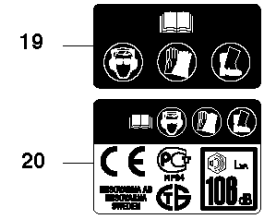
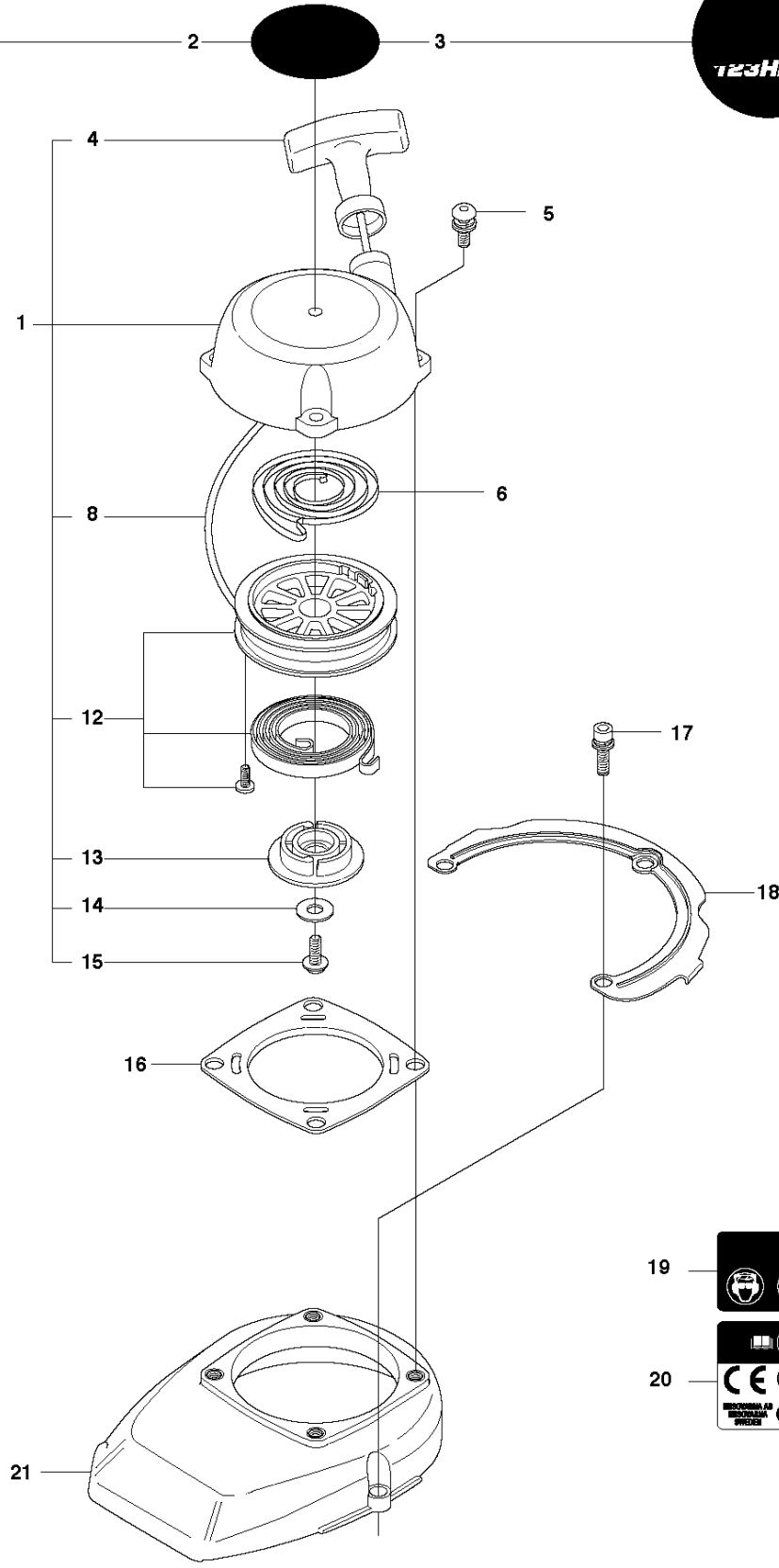
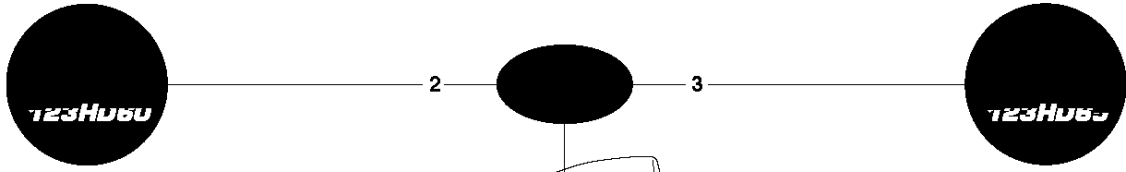


ACCESSORIES

123 HD60, 20100600001-Current

Ref	Part No	Description	Remark	QTY	KIT
1	504 04 46-01	ACCESSORY BAG		1	
2	504 04 45-01	HEX KEY		1	1
3	504 04 44-01	HEX KEY		1	1
4	504 04 43-01	COMBINATION WRENCH		1	1
5	531 00 75-13	GREASE	UL22	1	
6	531 00 75-12	GREASE	UL21	1	
7	531 00 92-05	GREASE		1	

A 123HD60, HD60USA, HD65

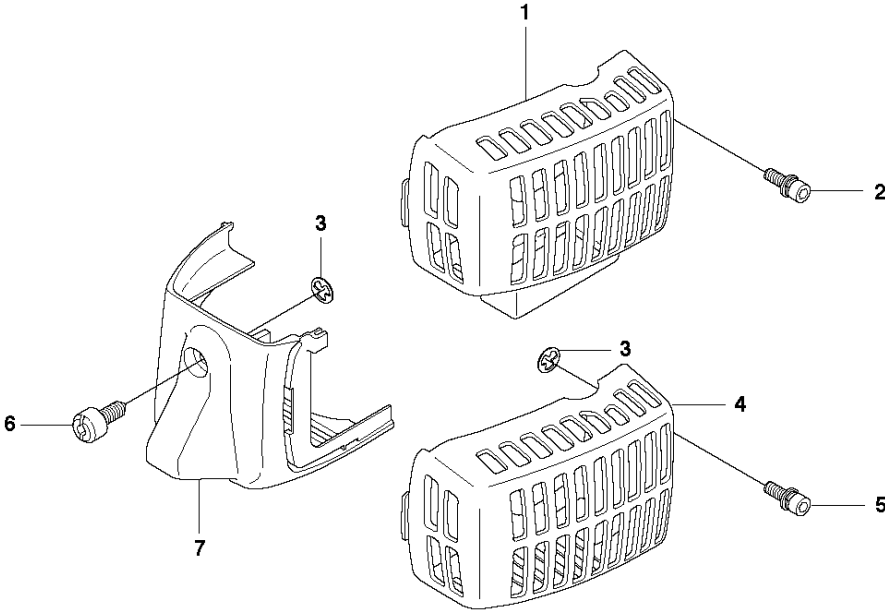


STARTER

123 HD60, 20100600001-Current

Ref	Part No	Description	Remark	QTY	KIT
1	544 30 46-01	STARTER ASSY		1	
2	544 38 32-01	DECAL	123HD60	1	
3	504 04 38-01	DECAL	123HD65	1	
4	544 30 47-01	STARTER HANDLE		1	1
5	544 29 33-01	SCREW		4	
6	544 30 39-01	RECOIL SPRING		1	1
8	544 30 42-01	STARTER CORD		1	1
12	544 30 40-01	SPRING CASSETTE ASSY		1	1
13	544 30 41-01	STARTER PULLEY		1	1
14	544 29 67-01	WASHER		1	1
15	544 29 74-01	SCREW		1	1
16	544 29 34-01	PLATE		1	
17	544 29 19-01	SCREW		3	
18	544 30 45-01	PLATE		1	
19	544 11 07-02	LABEL	US, AU	1	
20	544 05 76-02	LABEL	EC	1	
21	531 00 48-24	COVER		1	

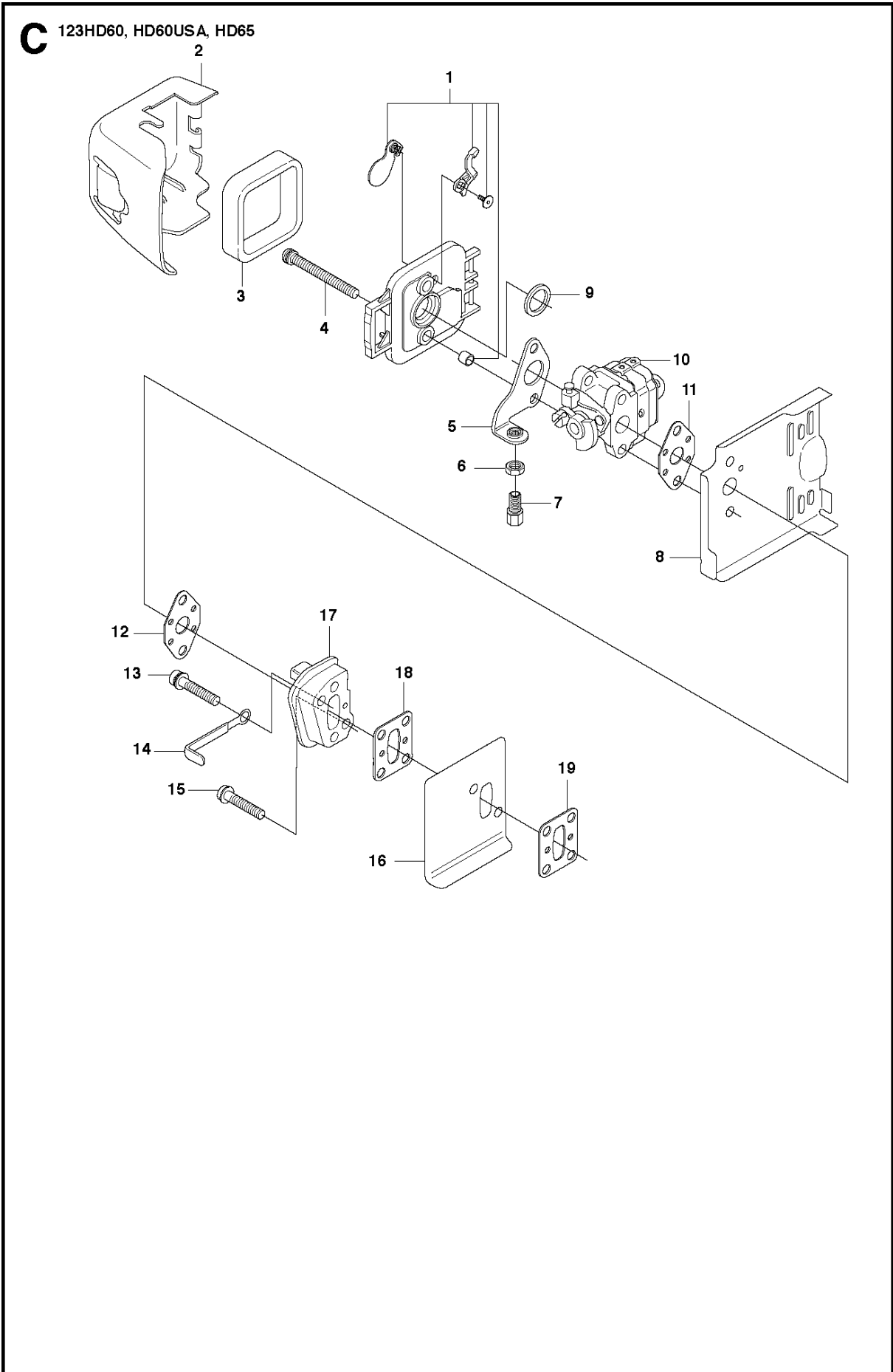
B 123HD60, HD60USA, HD65



COVER

123 HD60, 20100600001-Current

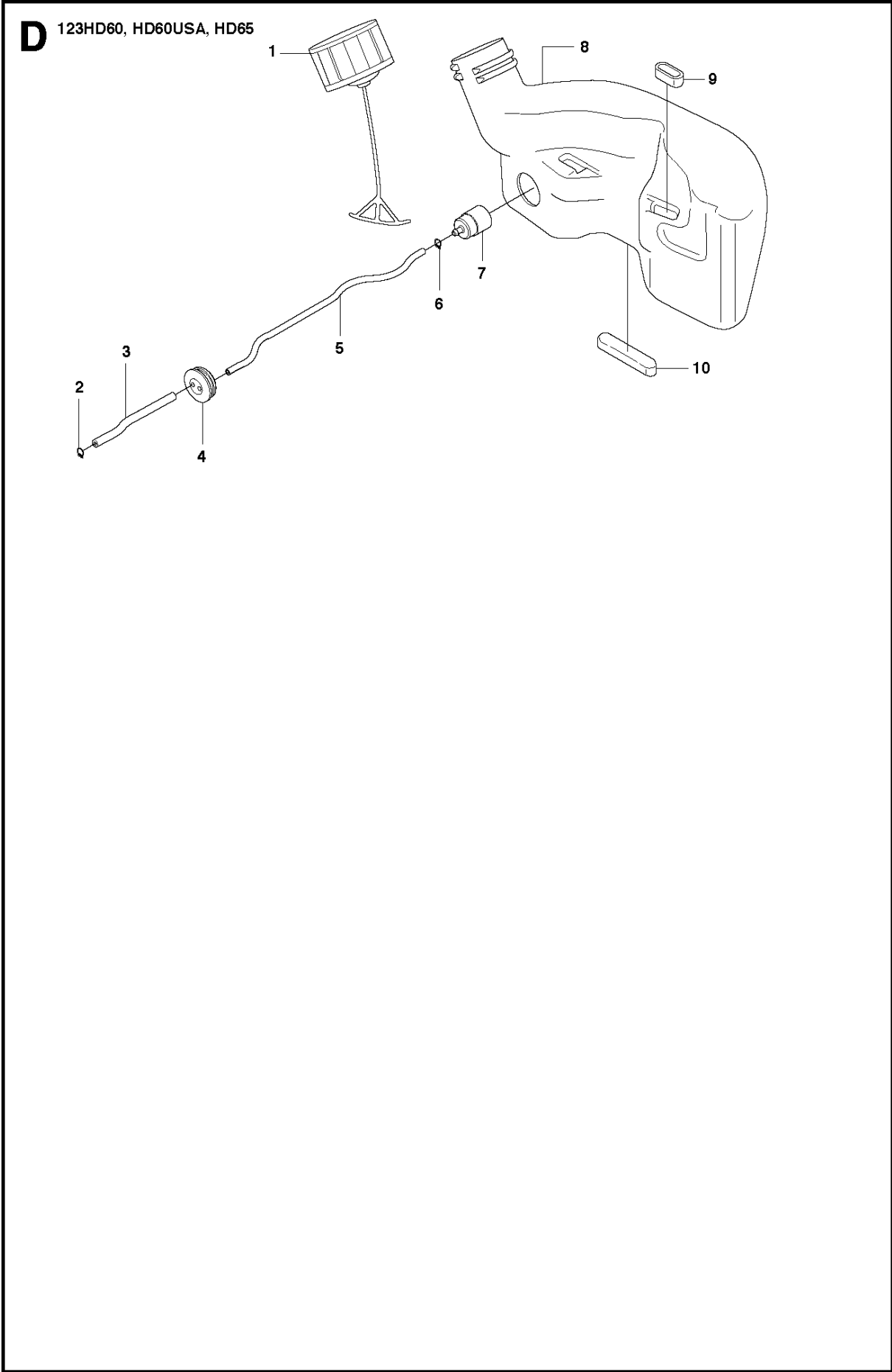
Ref	Part No	Description	Remark	QTY KIT
1	531 00 48-12	PULL ROD	US Only	1
2	544 29 21-01	SCREW		1
3	576 20 78-01	WASHER		2
4	544 29 30-01	MUFFLER COVER		1
5	544 29 21-01	SCREW		1
6	544 29 37-01	KNOB		1
7	544 29 53-01	CYLINDER COVER		1



HOUSING

123 HD60, 20100600001-Current

Ref	Part No	Description	Remark	QTY KIT
1	544 29 36-01	HOUSING ASSY		1
2	544 30 44-01	COVER		1
3	531 00 48-46	AIR FILTER	AIR FILTER	1
4	531 00 48-48	WASHER		2
5	544 29 60-01	STAY		1
6	531 00 24-45	NUT		1
7	544 29 35-01	ADAPTER		1
8	544 29 52-01	BAFFLE PLATE		1
9	544 29 61-01	GASKET		1
10	544 30 43-01	CARBURETTOR	Walbro WYL	1
11	531 00 24-52	GASKET		1
12	531 00 24-52	GASKET		1
13	544 29 40-01	SCREW		1
14	544 29 29-01	CLAMP		1
15	544 29 39-01	SCREW		1
16	531 00 48-55	GASKET		1
17	544 29 58-01	INSULATOR		1
18	531 00 23-53	GASKET		1
19	531 00 23-53	GASKET		1

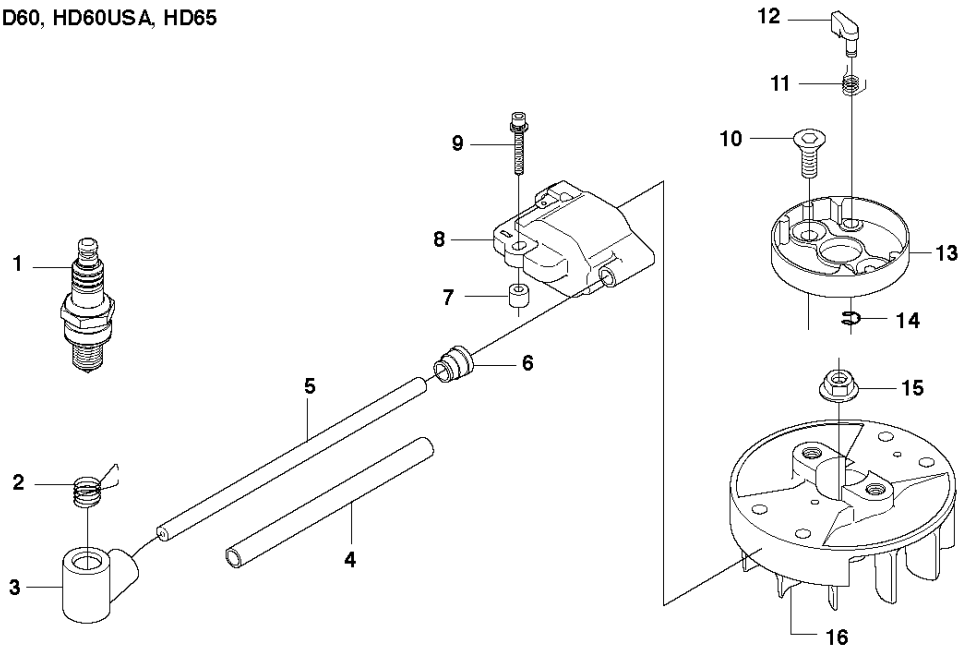


FUEL TANK

123 HD60, 20100600001-Current

Ref	Part No	Description	Remark	QTY KIT
1	544 30 49-01	TANK CAP ASSY		1
2	531 00 24-15	CLIP		1
3	531 00 47-38	HOSE		1
4	544 29 38-01	GROMMET		1
5	531 00 78-15	HOSE		1
6	531 00 24-15	CLIP		1
7	531 00 47-37	FILTER		1
8	544 29 27-01	FUEL TANK		1
9	531 00 48-32	EXPANDER		2
10	531 00 48-33	PIPE		1

E 123HD60, HD60USA, HD65

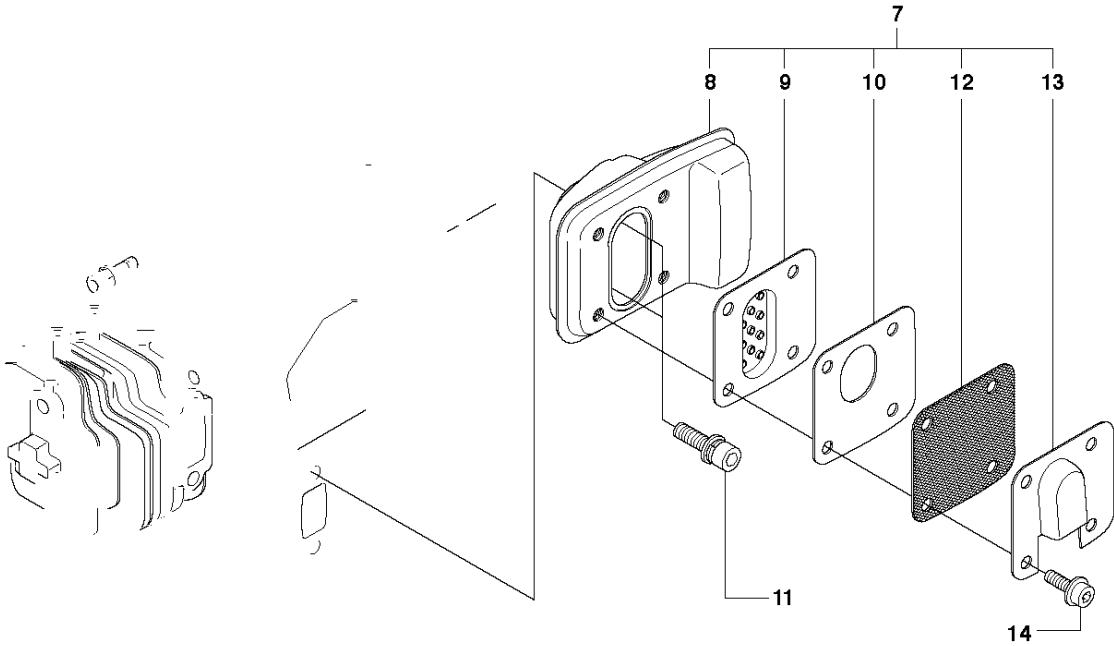
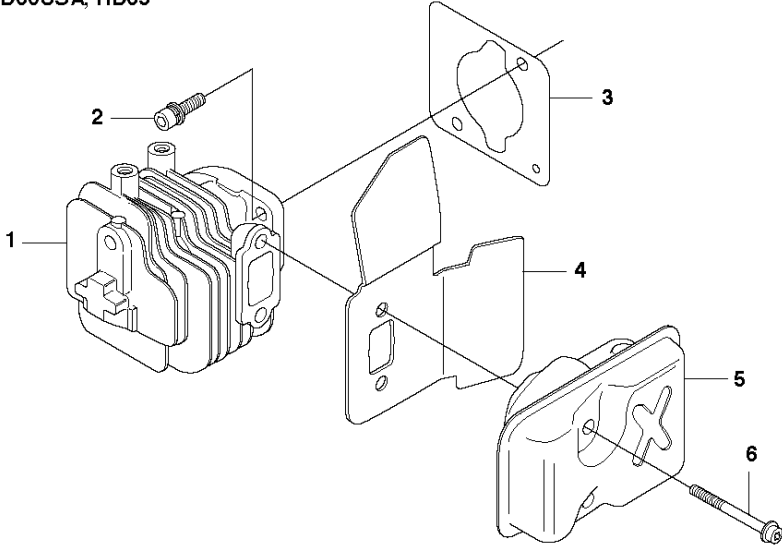


IGNITION SYSTEM

123 HD60, 20100600001-Current

Ref	Part No	Description	Remark	QTY KIT
1	531 00 48-28	SPARK PLUG	BPMR 6Y	1
2	531 00 23-99	SPRING		1
3	531 00 23-98	SPARK PLUG CONNECTION		1
4	544 29 66-01	INSULATOR		1
5	531 00 78-42	CABLE		1
6	531 00 24-01	SLEEVE		1
7	531 00 24-04	SPACER		2
8	531 00 78-41	IGNITION MODULE		1
9	544 29 20-01	SCREW		2
10	544 29 25-01	SCREW		2
11	544 30 34-01	RECOIL SPRING		2
12	544 29 78-01	PAWL		2
13	544 30 33-01	HOUSING		1
14	531 00 24-85	RETAINER RING		2
15	531 00 41-13	NUT		1
16	531 00 48-25	SPLASH GUARD		1

F 123HD60, HD60USA, HD65

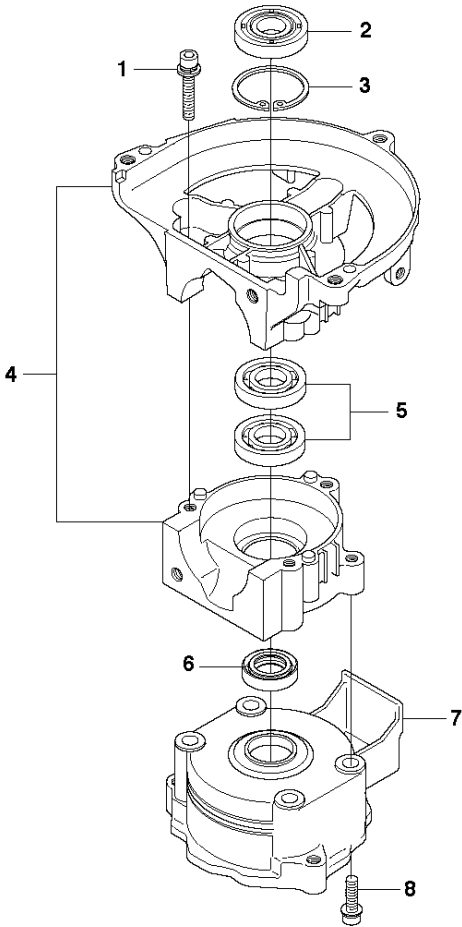


MUFFLER

123 HD60, 20100600001-Current

Ref	Part No	Description	Remark	QTY	KIT
1	531 00 48-54	SPRING PIN		1	
2	544 29 55-01	SCREW		2	
3	531 00 48-02	GEAR		1	
4	531 00 48-06	SHAFT		1	
5	544 30 38-01	MUFFLER		1	
6	544 29 24-01	SCREW		2	
7	504 09 49-01	MUFFLER ASSY	US Only	1	
8	531 00 48-07	SPACER		1	7
9	531 00 48-08	END PLATE		1	7
10	531 00 48-10	SHAFT		1	7
11	504 09 50-01	SCREW		2	
12	531 00 48-09	BEARING PLATE		1	7
13	531 00 48-11	NUT		1	7
14	504 04 39-01	SCREW		4	

G 123HD60, HD60USA, HD65

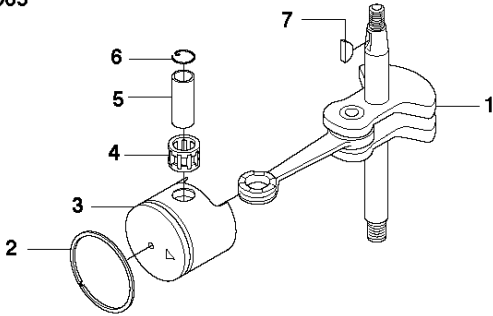


GEAR HOUSING

123 HD60, 20100600001-Current

Ref	Part No	Description	Remark	QTY KIT
1	544 29 18-01	SCREW		3
2	531 00 41-06	SEALING RING		1
3	531 00 41-05	RETAINER RING		1
4	544 29 26-01	CRANKCASE ASSY		1
5	531 00 41-10	BALL BEARING		2
6	531 00 41-07	SEALING RING		1
7	544 29 28-01	CLUTCH COVER		1
8	544 29 21-01	SCREW		4

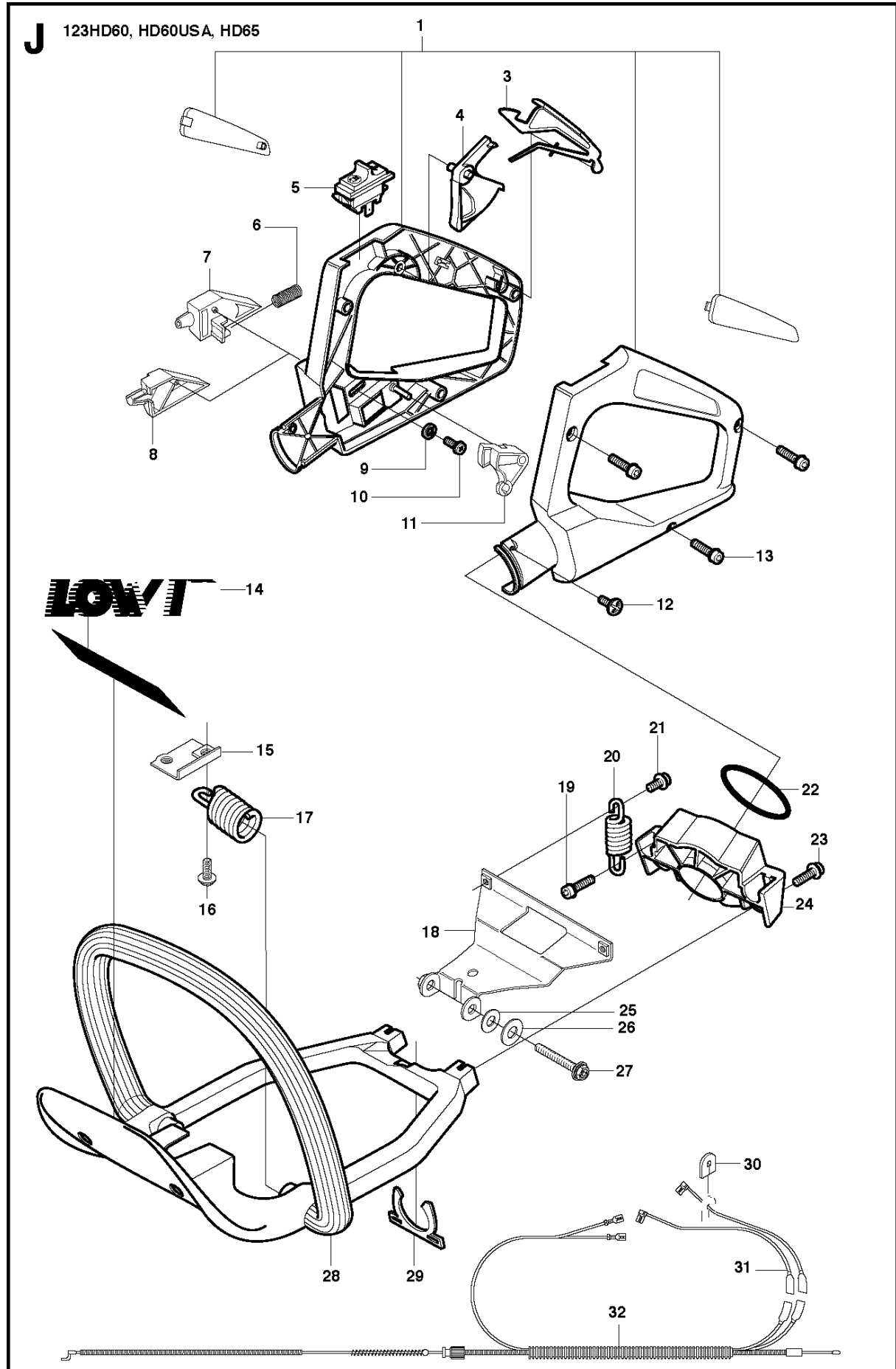
H 123HD60, HD60USA, HD65



PISTON & CRANKSHAFT

123 HD60, 20100600001-Current

Ref	Part No	Description	Remark	QTY KIT
1	544 29 31-01	SHAFT ASSY		1
2	531 00 48-17	PISTON RING		1
3	531 00 48-16	DRIVE SHAFT		1
4	531 00 48-18	MACHINE HOLDER		1
5	531 00 40-88	PISTON BOLT		1
6	531 00 23-83	CLIP		2
7	531 00 24-02	KEY		1

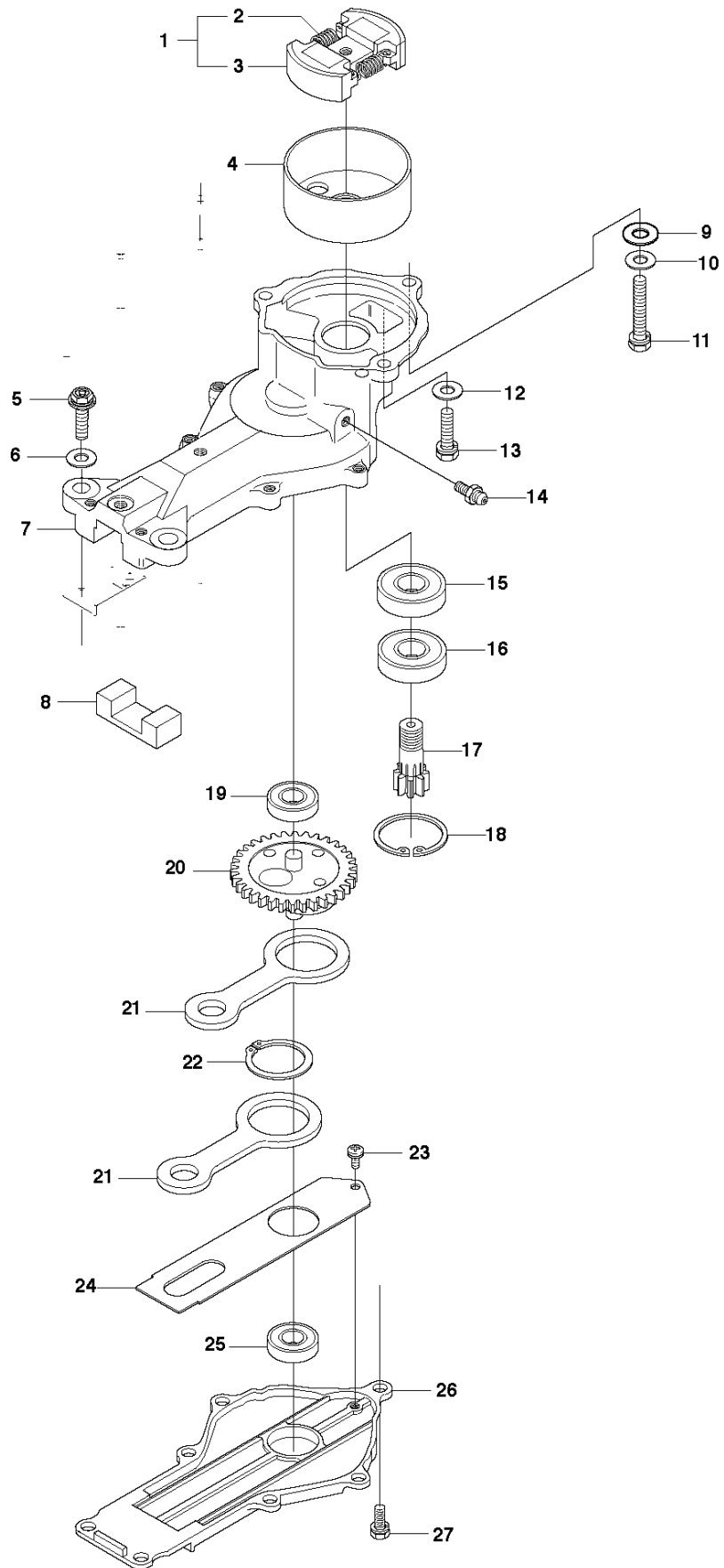


HANDLE & CONTROLS

123 HD60, 20100600001-Current

Ref	Part No	Description	Remark	QTY KIT
1	537 28 00-06	HANDLE ASSY	123HD60	1
1	537 28 00-05	HANDLE ASSY	123HD65	1
3	537 18 39-01	THROTTLE LOCKOUT		1
4	506 01 44-02	THROTTLE TRIGGER		1
5	503 71 82-01	SWITCH		1
6	503 77 06-01	RECOIL SPRING	123HD65	1
7	503 77 05-01	LOCKING BUTTON	123HD65	1
8	537 19 78-01	COVER	123HD60	1
9	734 11 25-41	WASHER		1
10	503 21 29-06	SCREW CCRPANT		1
11	503 79 15-02	LATCH	123HD65	1
12	503 21 27-13	SCREW CCRPANT		1
13	503 21 07-16	SCREW IHST		3
14	503 73 45-01	LABEL		1
15	544 30 29-01	STAY	R	1
15	544 30 30-01	STAY	L	1
16	503 20 07-10	SCREW IHSCFM		2
17	537 08 08-01	SPRING		2
18	544 30 28-01	STAY		1
19	503 21 68-16	SCREW IHST		2
20	537 08 07-01	SPRING		2
21	503 20 07-10	SCREW IHSCFM		2
22	740 44 16-00	O-RING		1
23	503 21 06-22	SCREW IHST		2
24	537 08 06-01	SPRING		1
25	735 21 53-01	LOCKWASHER		1
26	734 11 52-01	WASHER		1
27	725 23 78-51	SCREW EHHM		2
28	503 77 10-03	FRONT HANDLE		1
29	503 77 09-01	SECURING PLATE		1
30	531 00 48-29	ATTACHMENT		1
31	531 00 78-44	SHORTING LEAD		2
32	544 20 06-02	WIRING ASSY		1

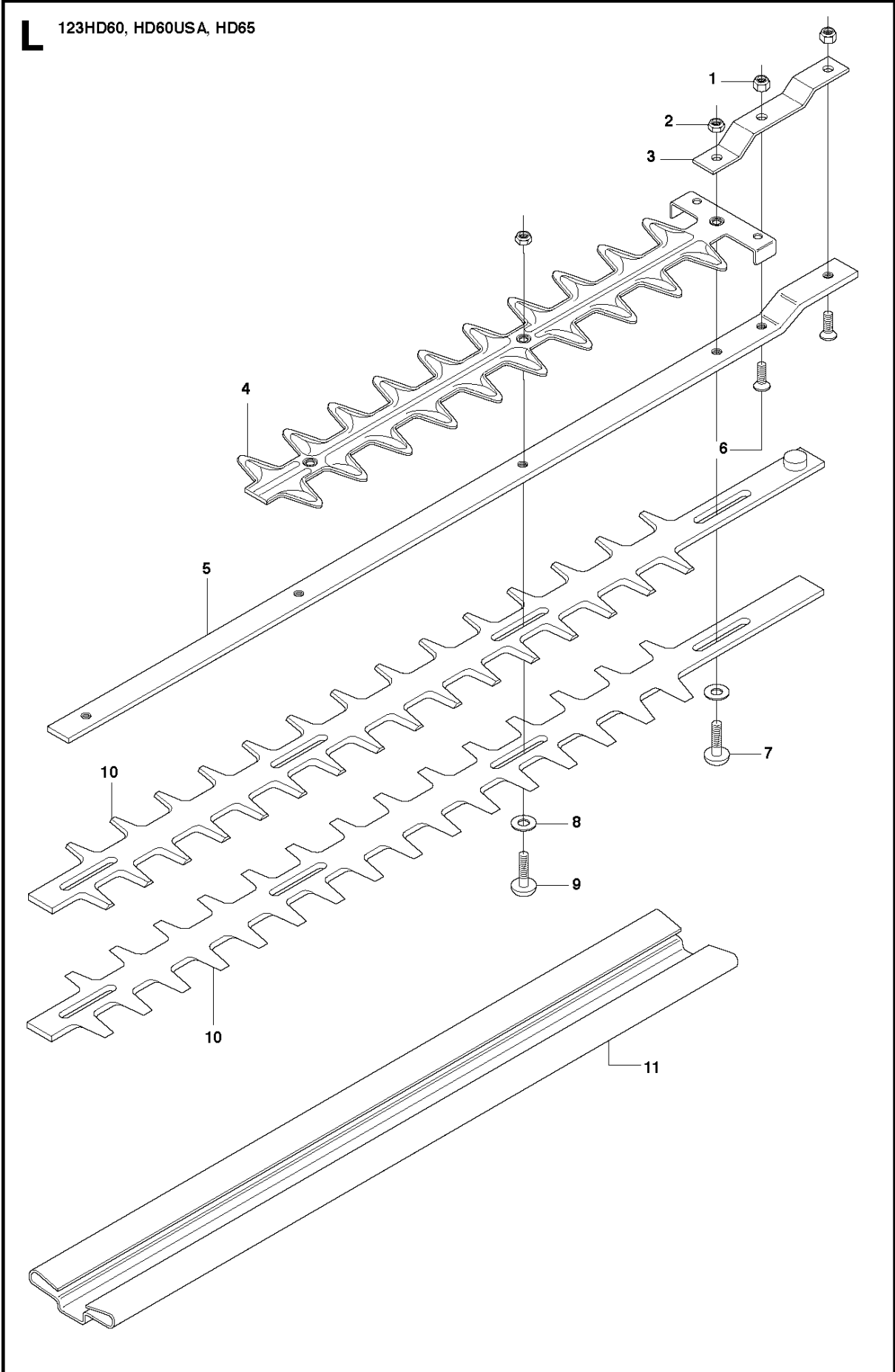
K 123HD60, HD60USA, HD65



GEAR HOUSING

123 HD60, 20100600001-Current

Ref	Part No	Description	Remark	QTY	KIT
1	544 30 32-01	CLUTCH ASSY		1	
2	544 30 37-01	SPRING		2	1
3	544 30 35-01	CLUTCH SHOE		2	1
4	544 29 82-01	DRUM		1	
5	725 23 70-71	SCREW EHHM		2	
7	544 29 95-01	HOUSING		1	
8	544 30 24-01	FELT		1	
9	734 11 52-01	WASHER		1	
10	735 21 53-01	LOCKWASHER		1	
11	725 23 76-51	SCREW EHHM		1	
12	735 21 53-01	LOCKWASHER		2	
13	725 23 70-71	SCREW EHHM		2	
14	531 00 47-05	NIPPLE		1	
15	544 30 50-01	BEARING		1	
16	544 30 50-01	BEARING		1	
17	544 29 96-01	PINION		1	
18	544 30 22-01	SNAP RING		1	
19	544 29 92-01	BEARING		1	
20	544 30 01-01	CRANK		1	
21	544 30 03-01	ROD		2	
22	544 30 51-01	SNAP RING		1	
23	544 30 27-01	SCREW		1	
24	544 30 26-01	PLATE		1	
25	544 29 92-01	BEARING		1	
26	544 30 25-01	HOUSING		1	
27	544 30 20-01	SCREW		7	



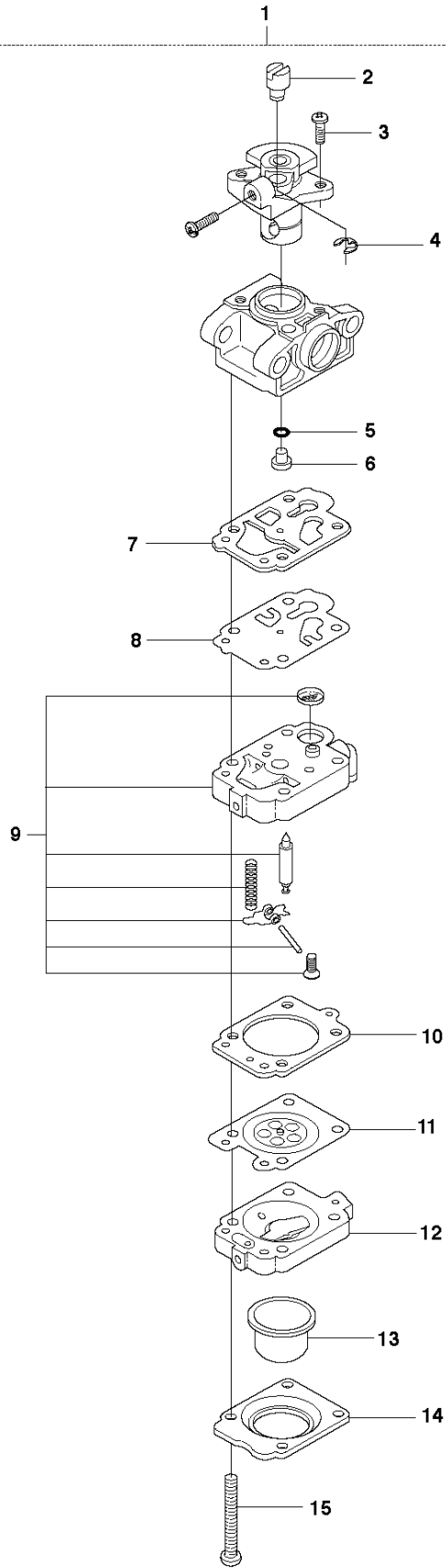
CUTTING EQUIPMENT

123 HD60, 20100600001-Current

Ref	Part No	Description	Remark	QTY KIT
1	544 30 21-01	NUT		2
2	544 30 52-01	NUT		4
3	502 28 85-01	PLATE		1
4	544 29 89-01	BLADE GUARD HEDGETRIMMER	Changed design, now with 7 teeth	1
5	544 30 05-01	GUIDE PLATE	123HD60	1
5	504 04 40-01	GUIDE PLATE	123HD65	1
6	502 28 86-01	SCREW		2
7	531 00 47-17	SCREW		1
8	531 00 47-15	WASHER		4
9	531 00 47-16	SCREW		3
10	544 30 18-01	BLADE	123HD60	2
10	504 04 41-01	BLADE	123HD65	2
11	544 29 94-01	TRANSPORT GUARD	123HD60	1
11	504 04 42-01	COVER	123HD65	1

M 123HD60, HD60USA, HD65

Walbro WYL



CARBURETOR

123 HD60, 20100600001-Current

Ref	Part No	Description	Remark	QTY	KIT
1	544 30 43-01	CARBURETTOR	Walbro WYL	1	
2	531 00 24-42	CONNECTION		1	1
3	531 00 48-43	RING		2	1
4	531 00 24-39	CIRCLIP		1	1
5	531 00 77-91	RING		1	1
6	544 29 80-01	MAIN JET		1	1
7	531 00 48-36	MOULDING		1	1
8	531 00 48-37	SPÄNNHJUL		1	1
9	544 29 23-01	PUMP HOUSING		1	1
10	531 00 77-94	GASKET		1	1
11	544 29 59-01	DIAPHRAGM CARBURETTOR		1	1
12	531 00 77-95	HOUSING		1	1
13	531 00 24-36	BULB		1	1
14	531 00 77-96	PLATE		1	1
15	531 00 77-97	SCREW		4	1