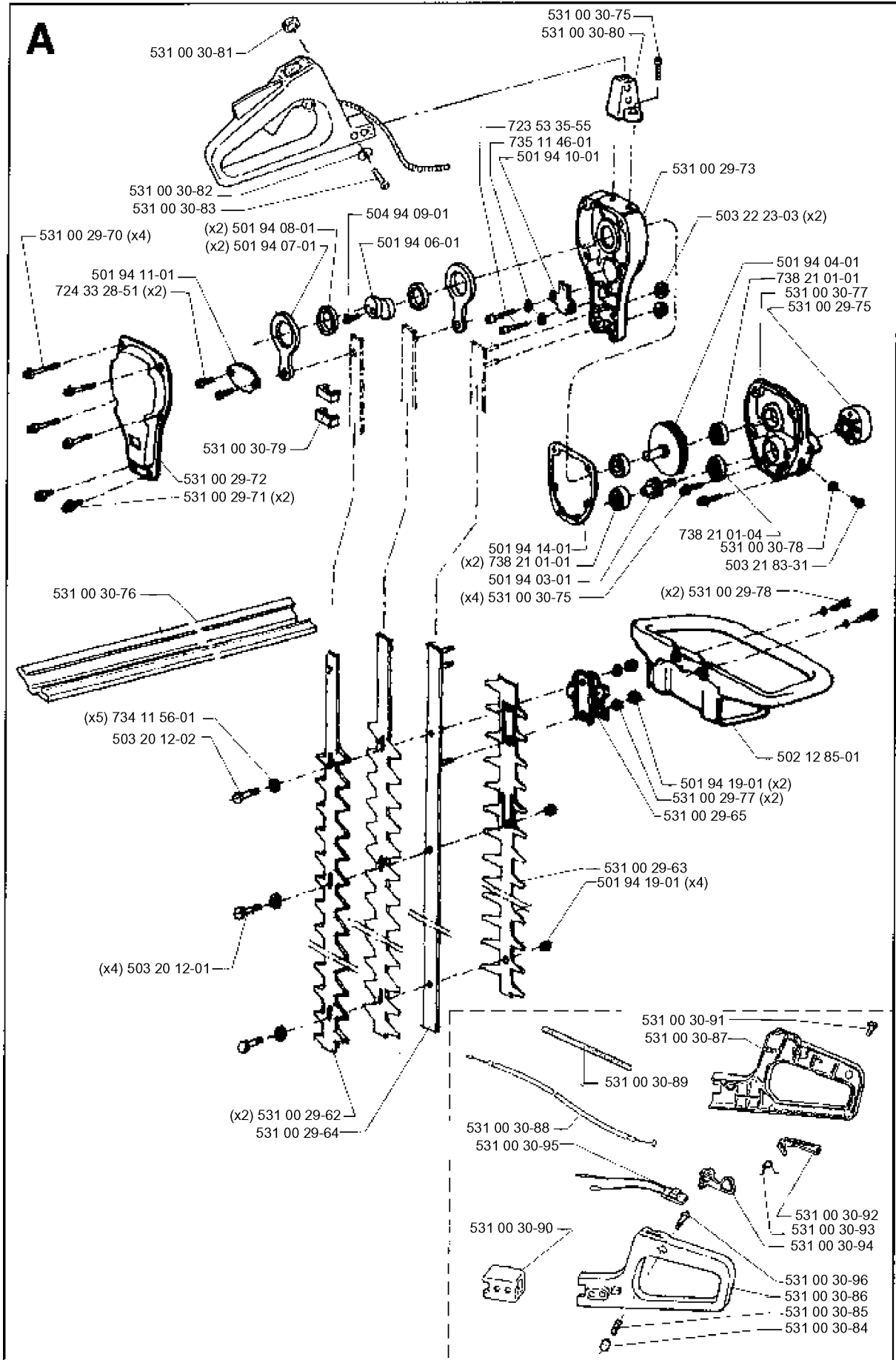




SPARE PARTS LIST

HEDGE TRIMMERS/POLE HEDGE
TRIMMERS

26H, 19951400001-Current

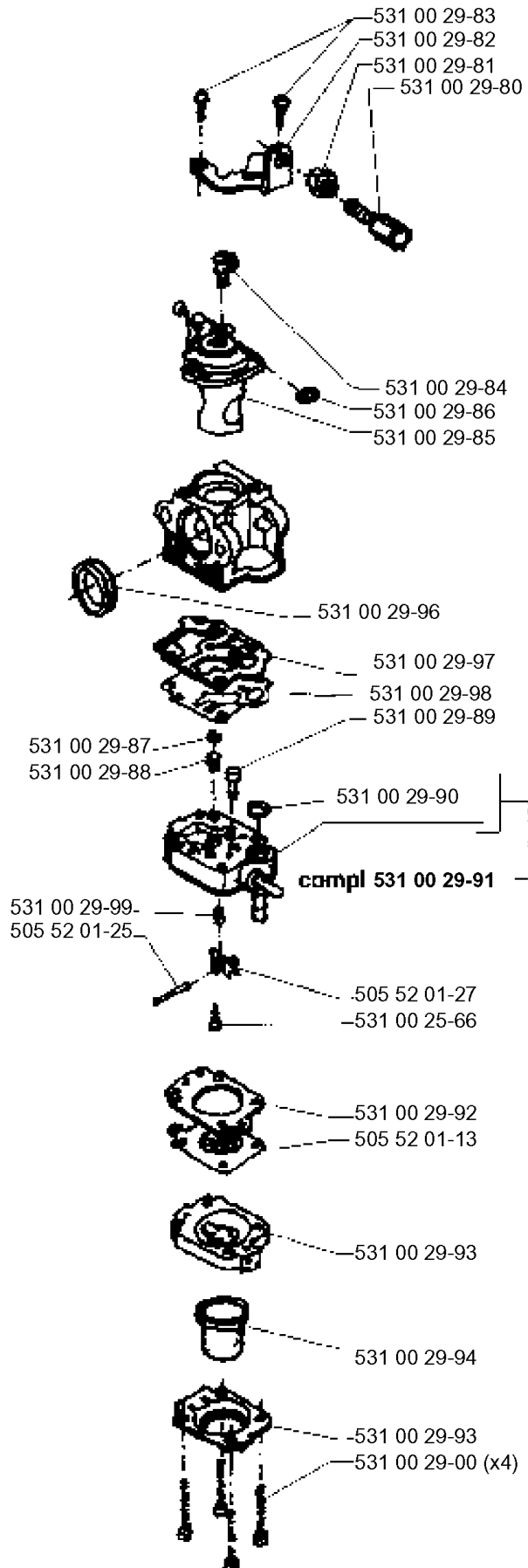


CLUTCH & OIL PUMP

26H, 1995140001-Current

| Part No | Description | Remark | QTY KIT |
|--------------|-----------------------|--------|---------|
| 501 94 03-01 | PINION | | 1 |
| 501 94 04-01 | WHEEL | | 1 |
| 501 94 06-01 | CAMSHAFT | | 1 |
| 501 94 07-01 | CONNECTING ROD | | 2 |
| 501 94 08-01 | CAM | | 2 |
| 501 94 10-01 | COVER PLATE | | 1 |
| 501 94 11-01 | FIXERPLATTA HÄCKSAX | | 1 |
| 501 94 14-01 | GASKET | | 1 |
| 501 94 19-01 | NUT | | 4 |
| 501 94 19-01 | NUT | | 2 |
| 502 12 85-01 | HANDLE ASS'Y | | 1 |
| 503 20 12-01 | SCREW EHHM | | 4 |
| 503 20 12-02 | SCREW EHHM | | 1 |
| 503 21 83-31 | SCREW | | 1 |
| 503 22 23-03 | LOCK NUT | | 2 |
| 504 94 09-01 | NLA ROD. DEPTH STOP | | 1 |
| 531 00 29-62 | BLADE | | 2 |
| 531 00 29-63 | PROTECTOR | | 1 |
| 531 00 29-64 | CUTTER GUIDE | | 1 |
| 531 00 29-65 | HOLDER | | 1 |
| 531 00 29-70 | SCREW | | 4 |
| 531 00 29-71 | SCREW | | 2 |
| 531 00 29-72 | COVER | | 1 |
| 531 00 29-73 | HOUSING | | 1 |
| 531 00 29-75 | CLUTCH DRUM | | 1 |
| 531 00 29-77 | WASHER | | 2 |
| 531 00 29-78 | BOLT | | 2 |
| 531 00 30-75 | SCREW | | 4 |
| 531 00 30-75 | SCREW | | 1 |
| 531 00 30-76 | PROTECTOR | | 1 |
| 531 00 30-77 | GEAR HOUSING | | 1 |
| 531 00 30-78 | WASHER | | 1 |
| 531 00 30-79 | GASKET | | 1 |
| 531 00 30-80 | BRACKET | | 1 |
| 531 00 30-81 | NUT | | 1 |
| 531 00 30-82 | WASHER | | 1 |
| 531 00 30-83 | SCREW | | 1 |
| 531 00 30-84 | GUIDE | | 1 |
| 531 00 30-85 | SPRING | | 1 |
| 531 00 30-86 | HANDLE 26H | | 1 |
| 531 00 30-87 | HANDLE | | 1 |
| 531 00 30-88 | THROTTLE WIRE | | 1 |
| 531 00 30-89 | PIPE | | 1 |
| 531 00 30-90 | ANTIVIBRATION ELEMENT | | 1 |
| 531 00 30-91 | SCREW | | 1 |
| 531 00 30-92 | LEVER | | 1 |
| 531 00 30-93 | SPRING | | 1 |
| 531 00 30-94 | LEVER | | 1 |
| 531 00 30-95 | SWITCH | | 1 |
| 531 00 30-96 | RIVET | | 1 |
| 723 53 35-55 | SCREW SLCSFM | | 1 |
| 724 33 28-51 | SCREW CRCSFM | | 2 |
| 734 11 56-01 | WASHER | | 5 |
| 735 11 46-01 | SPRING WASHER | | 1 |
| 738 21 01-01 | BALL BEARING | | 1 |
| 738 21 01-01 | BALL BEARING | | 2 |
| 738 21 01-04 | BALL BEARING | | 1 |

B compl 531 00 29-28

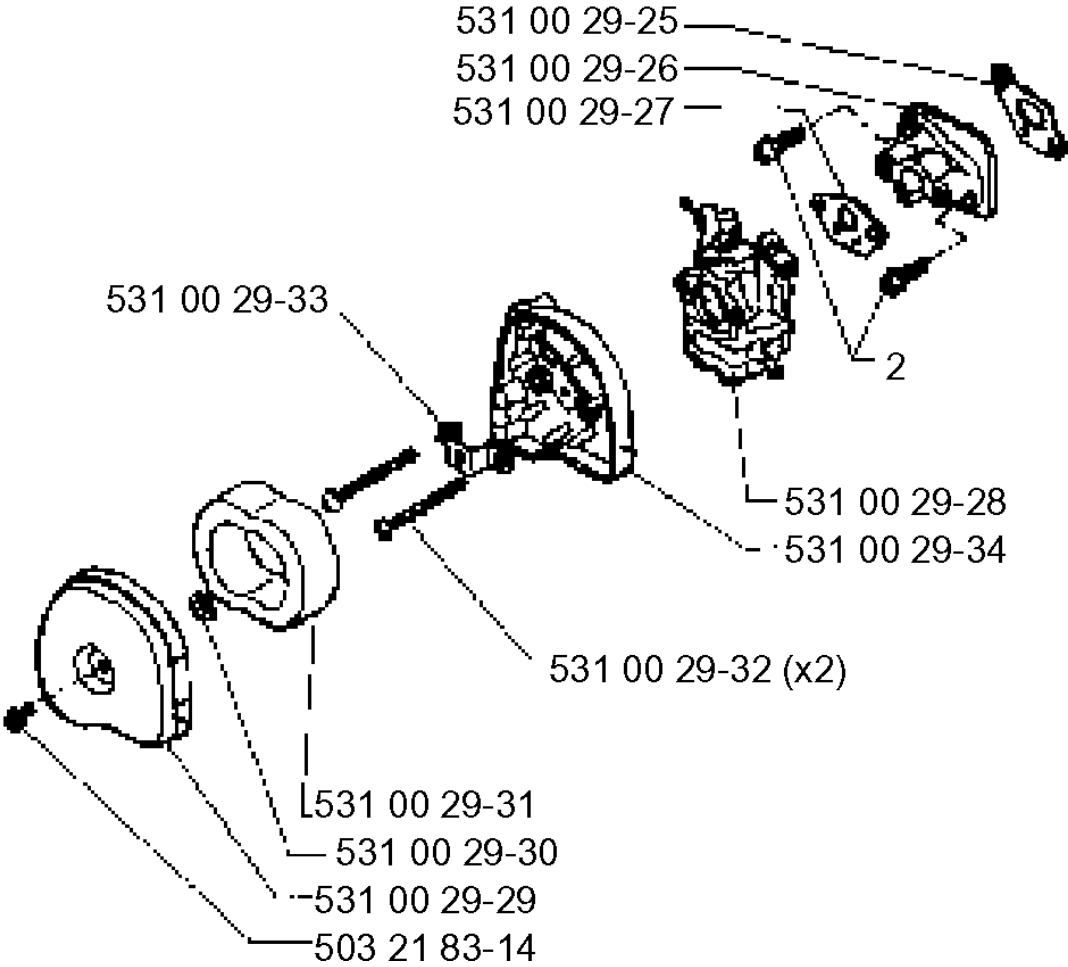


CARBURETOR DETAILS

26H, 1995140001-Current

| Part No | Description | Remark | QTY KIT |
|--------------|-----------------|--------|---------|
| 505 52 01-13 | STYRMEMBRAN KPL | | 1 |
| 505 52 01-25 | PIN | | 1 |
| 505 52 01-27 | LEVER | | 1 |
| 531 00 25-66 | SCREW | | 1 |
| 531 00 29-00 | SCREW | | 4 |
| 531 00 29-28 | CARBURETTOR | | 1 |
| 531 00 29-80 | SCREW | | 1 |
| 531 00 29-81 | NUT | | 1 |
| 531 00 29-82 | BRACKET | | 1 |
| 531 00 29-83 | SCREW | | 1 |
| 531 00 29-84 | HOLDER | | 1 |
| 531 00 29-85 | THROTTLE | | 1 |
| 531 00 29-86 | RETAINING RING | | 1 |
| 531 00 29-87 | RING-JET | | 1 |
| 531 00 29-88 | MAIN JET | | 1 |
| 531 00 29-89 | NEEDLE | | 1 |
| 531 00 29-90 | FILTER | | 1 |
| 531 00 29-91 | HOUSING | | 1 |
| 531 00 29-92 | GASKET | | 1 |
| 531 00 29-93 | BODY | | 1 |
| 531 00 29-93 | BODY | | 1 |
| 531 00 29-94 | PRIMER PUMP | | 1 |
| 531 00 29-96 | GASKET | | 1 |
| 531 00 29-97 | GASKET | | 1 |
| 531 00 29-98 | DIAPHRAGM | | 1 |
| 531 00 29-99 | SPRING | | 1 |

C

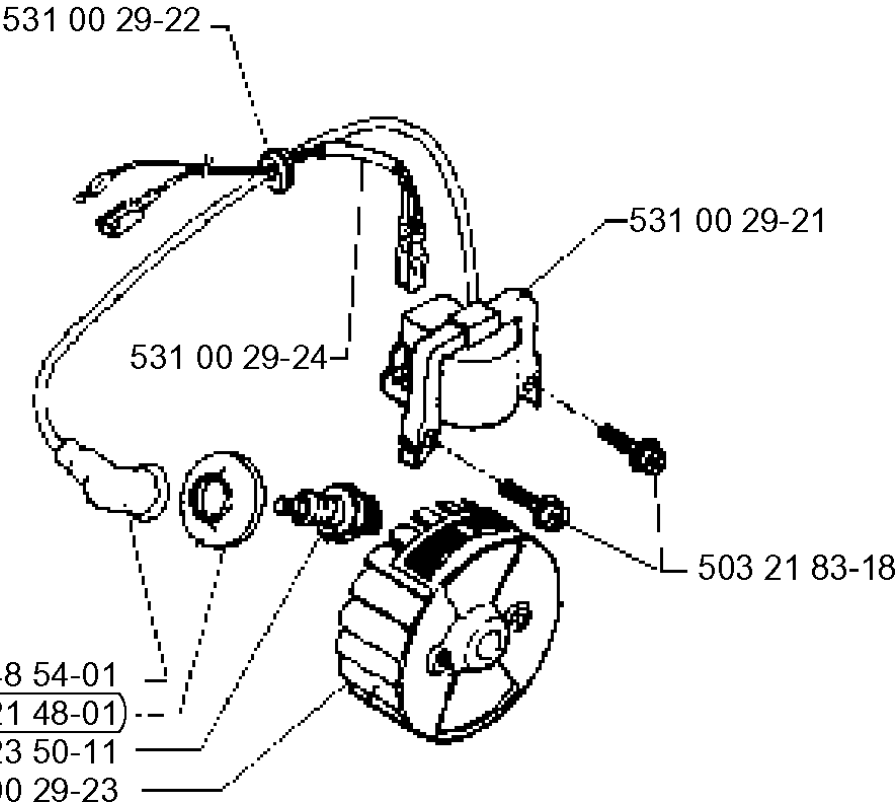


CARBURETOR & AIR FILTER

26H, 19951400001-Current

| Part No | Description | Remark | QTY KIT |
|--------------|-------------|--------|---------|
| 503 21 83-14 | SCREW | | 1 |
| 531 00 29-25 | GASKET | | 1 |
| 531 00 29-26 | SPACER | | 1 |
| 531 00 29-27 | GASKET | | 1 |
| 531 00 29-28 | CARBURETTOR | | 1 |
| 531 00 29-29 | COVER | | 1 |
| 531 00 29-30 | NUT | | 1 |
| 531 00 29-31 | AIR FILTER | | 1 |
| 531 00 29-32 | SCREW | | 2 |
| 531 00 29-33 | HOLDER | | 1 |
| 531 00 29-34 | HOLDER | | 1 |

D



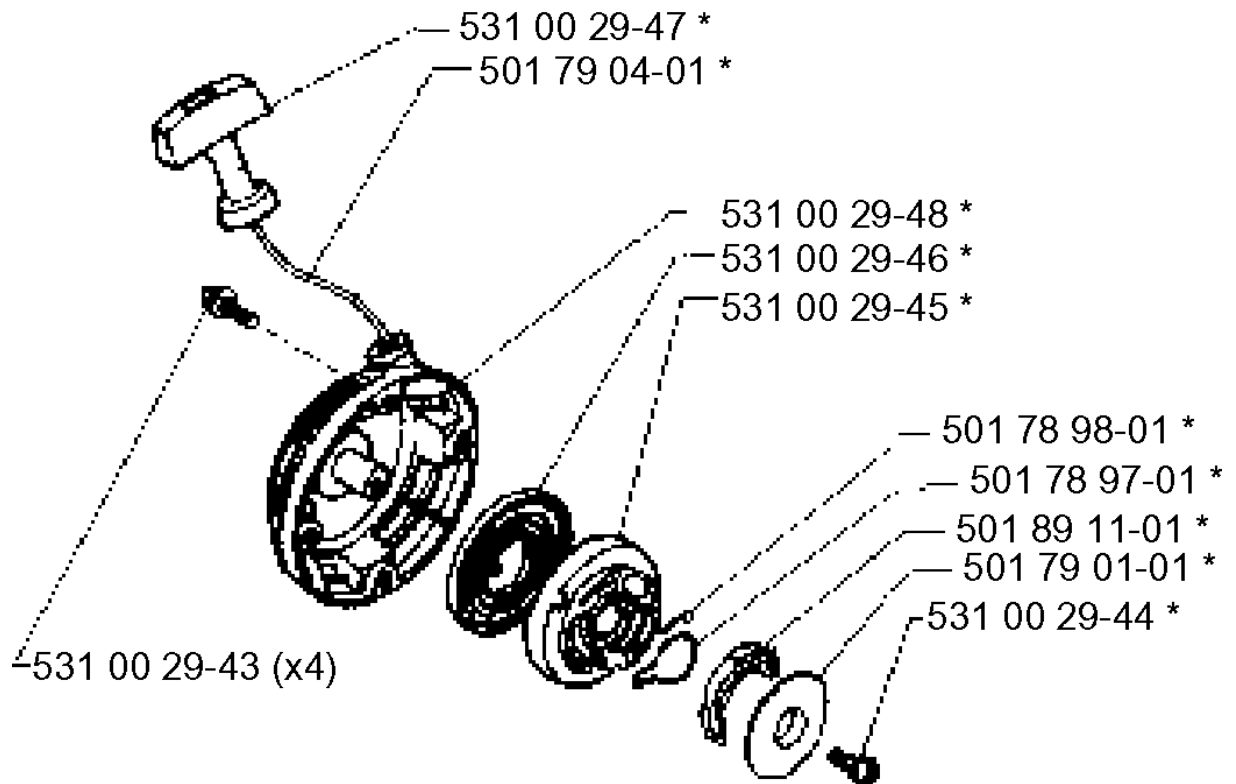
IGNITION SYSTEM

26H, 19951400001-Current

| Part No | Description | Remark | QTY KIT |
|--------------|----------------|-------------|---------|
| 501 48 54-01 | KIT | | 1 |
| 503 21 83-18 | SCREW | | 1 |
| 503 23 50-11 | SPARK PLUG | | 1 |
| 531 00 29-21 | IGNITION COIL | | 1 |
| 531 00 29-22 | GROMMET | | 1 |
| 531 00 29-23 | FLYWHEEL | | 1 |
| 531 00 29-24 | WIRE | | 1 |
| 531 00 48-89 | PROTECTIVE CAP | CORRECTION: | 1 |

E

***compl 531 00 29-42**

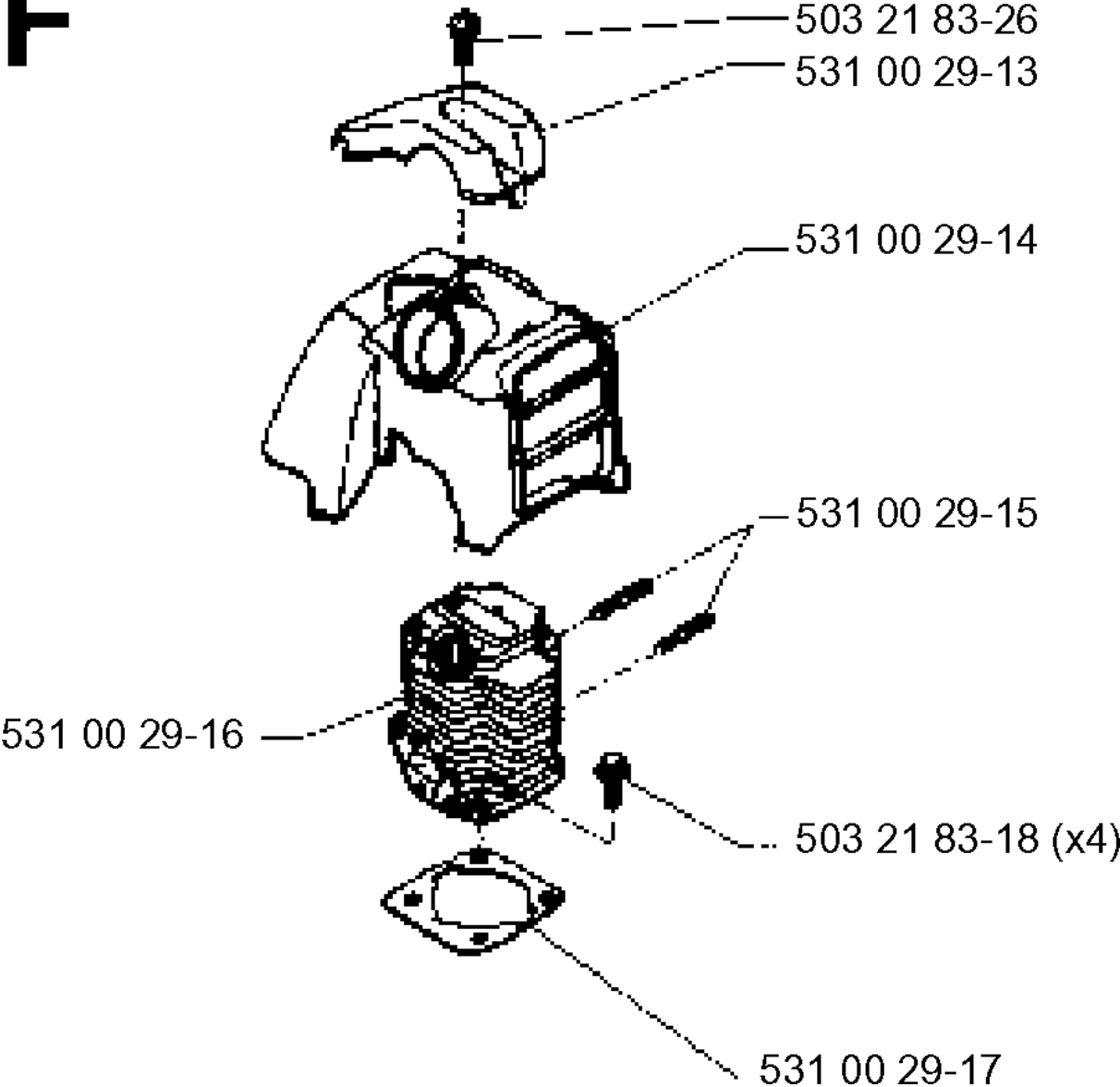


STARTER

26H, 19951400001-Current

| Part No | Description | Remark | QTY KIT |
|--------------|----------------|--------|---------|
| 501 78 97-01 | STARTER PULLEY | | 1 |
| 501 78 98-01 | SPRING | | 1 |
| 501 79 01-01 | PLATE | | 1 |
| 501 79 04-01 | STARTER CORD | | 1 |
| 501 89 11-01 | PAWL | | 1 |
| 531 00 29-42 | STARTER DEVICE | | 1 |
| 531 00 29-43 | SCREW | | 4 |
| 531 00 29-44 | SCREW | | 1 |
| 531 00 29-45 | STARTER PULLEY | | 1 |
| 531 00 29-46 | SPRING | | 1 |
| 531 00 29-47 | HANDLE | | 1 |
| 531 00 29-48 | COVER | | 1 |

F

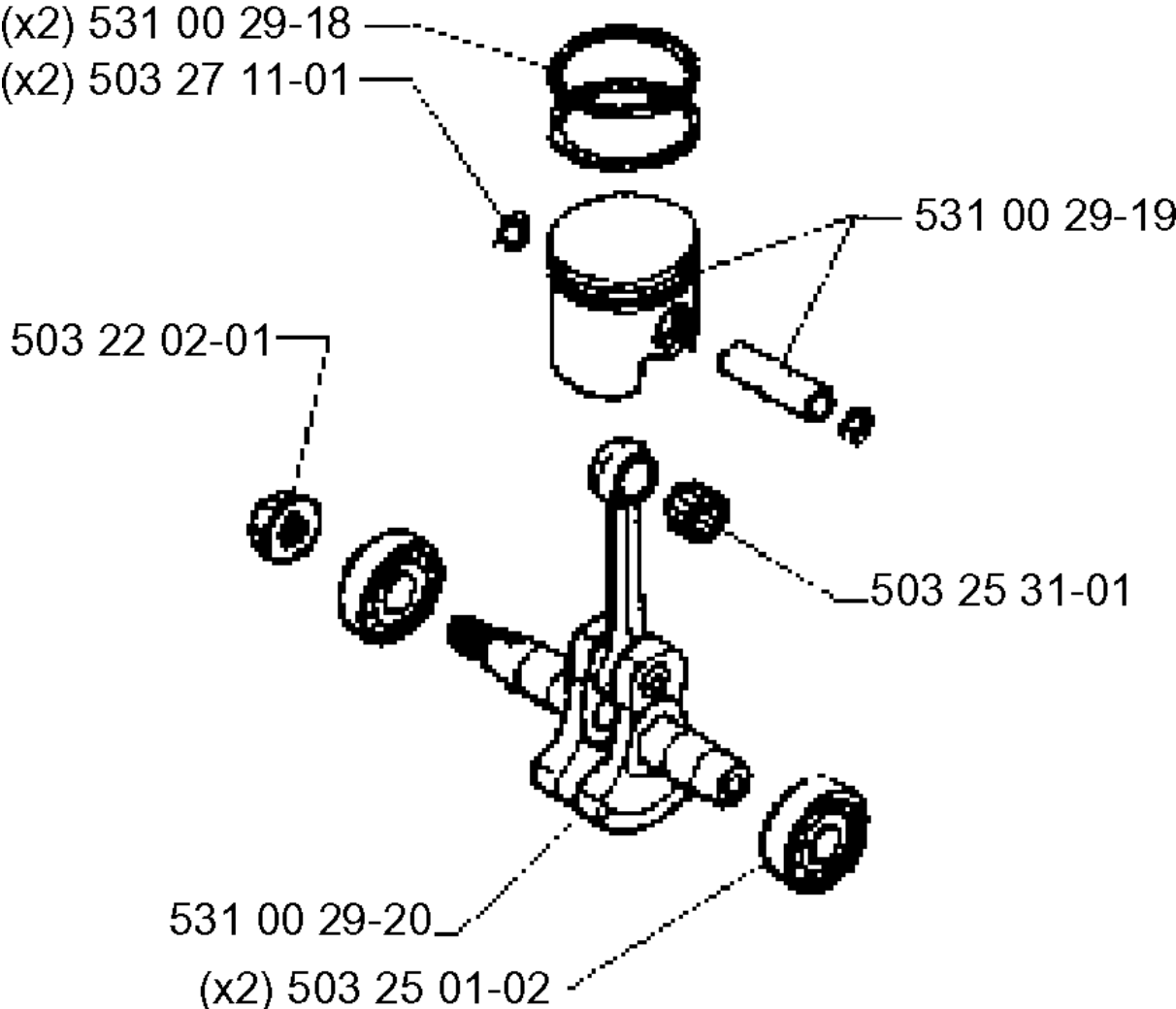


COVER

26H, 19951400001-Current

| Part No | Description | Remark | QTY KIT |
|--------------|----------------|--------|---------|
| 503 21 83-18 | SCREW | | 4 |
| 503 21 83-26 | SCREW | | 1 |
| 531 00 29-13 | COVER | | 1 |
| 531 00 29-14 | CYLINDER COVER | | 1 |
| 531 00 29-15 | STUD | | 1 |
| 531 00 29-16 | CYLINDER | | 1 |
| 531 00 29-17 | GASKET | | 1 |

G

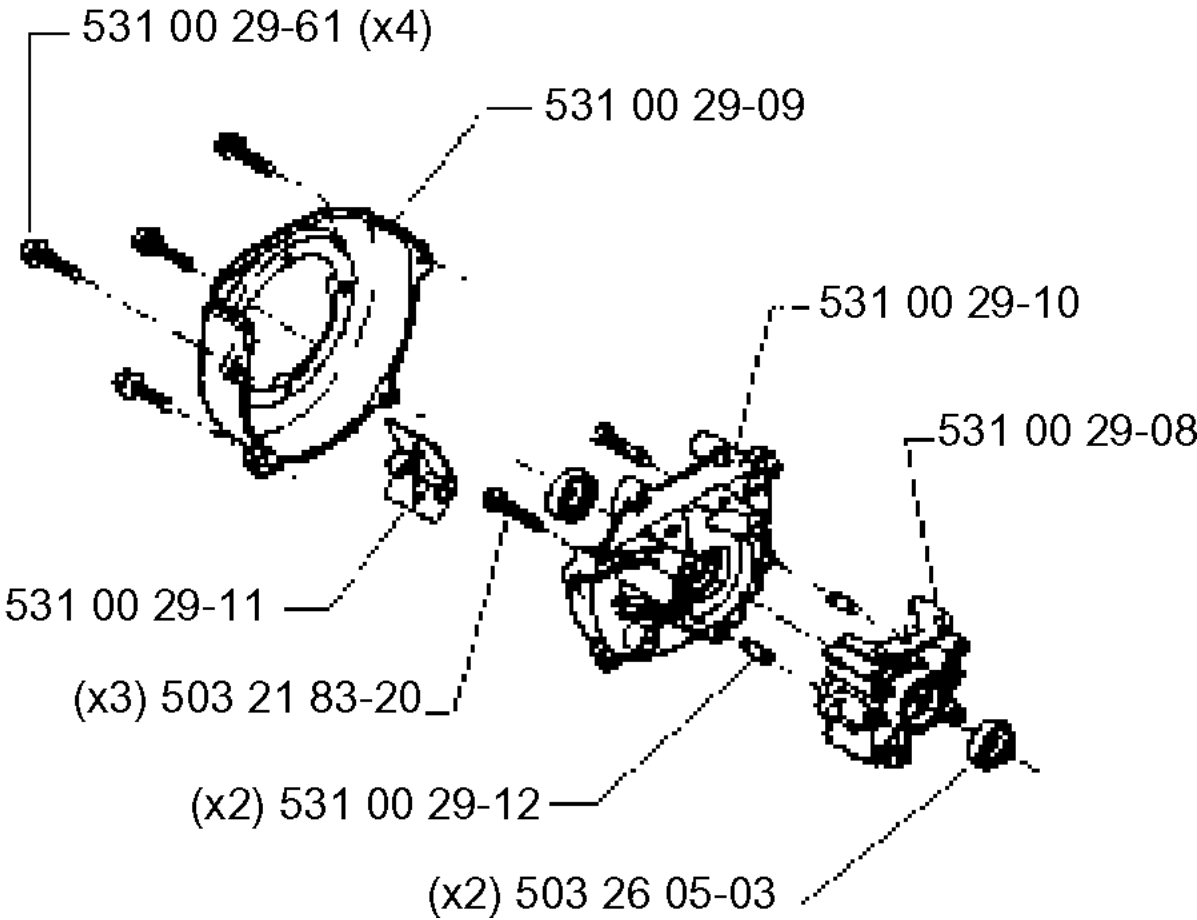


PISTON & CRANKSHAFT

26H, 19951400001-Current

| Part No | Description | Remark | QTY KIT |
|--------------|-----------------|--------|---------|
| 503 22 02-01 | NUT FLANGE | | 1 |
| 503 25 01-02 | BALL BEARING | | 2 |
| 503 25 31-01 | SUPPORT BUSHING | | 1 |
| 503 27 11-01 | LOCK RING | | 2 |
| 531 00 29-18 | PISTON RING | | 2 |
| 531 00 29-19 | PISTON + BOLT | | 1 |
| 531 00 29-20 | CRANKSHAFT | | 1 |

H



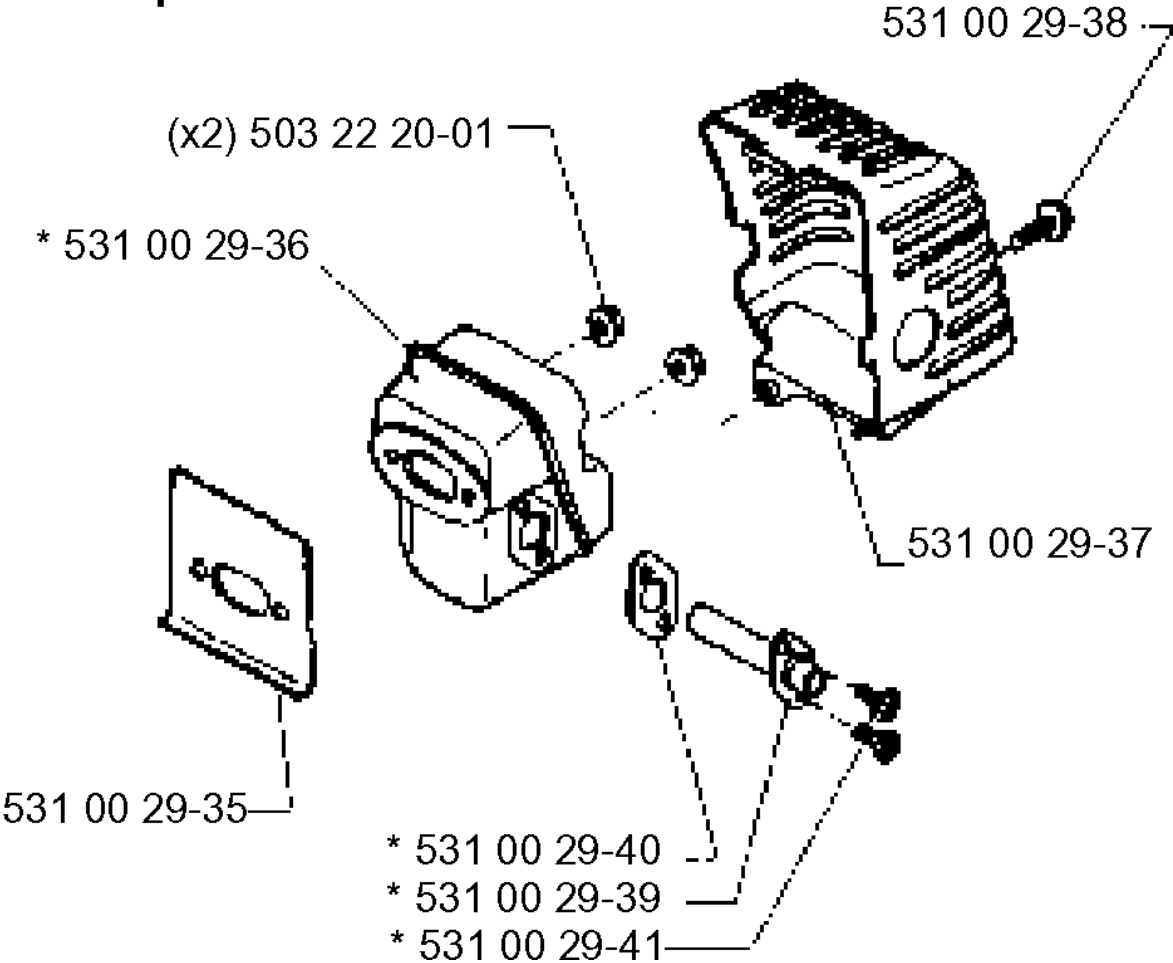
CRANKCASE

26H, 19951400001-Current

| Part No | Description | Remark | QTY KIT |
|--------------|---------------------|--------|---------|
| 503 21 83-20 | SCREW | | 3 |
| 503 26 05-03 | SEALING RING | | 2 |
| 531 00 29-08 | CRANKCASE | | 1 |
| 531 00 29-09 | COVER | | 1 |
| 531 00 29-10 | CRANKCASE | | 1 |
| 531 00 29-11 | HOLDER | | 1 |
| 531 00 29-12 | PIN RETAINING SCREW | | 2 |
| 531 00 29-61 | SCREW | | 4 |



***compl 531 00 29-36**



MUFFLER

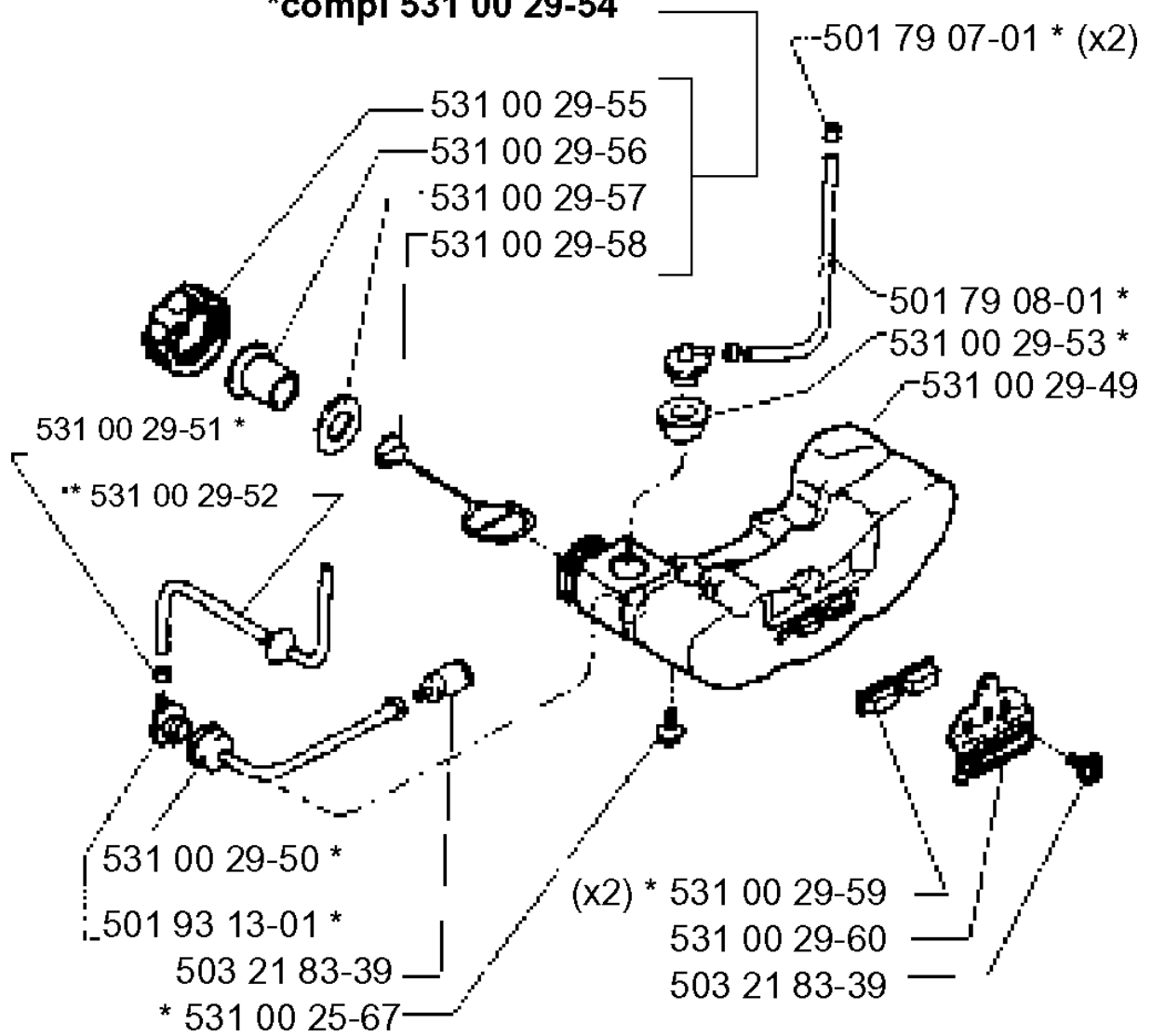
26H, 19951400001-Current

| Part No | Description | Remark | QTY KIT |
|--------------|-------------|--------|---------|
| 503 22 20-01 | LOCK NUT | | 2 |
| 531 00 29-35 | GASKET | | 1 |
| 531 00 29-36 | MUFFLER | | 1 |
| 531 00 29-36 | MUFFLER | | 1 |
| 531 00 29-37 | PROTECTOR | | 1 |
| 531 00 29-38 | SCREW | | 1 |
| 531 00 29-39 | PIPE | | 1 |
| 531 00 29-40 | GASKET | | 1 |
| 531 00 29-41 | SCREW | | 1 |

J

***compl 531 00 29-49**

***compl 531 00 29-54**

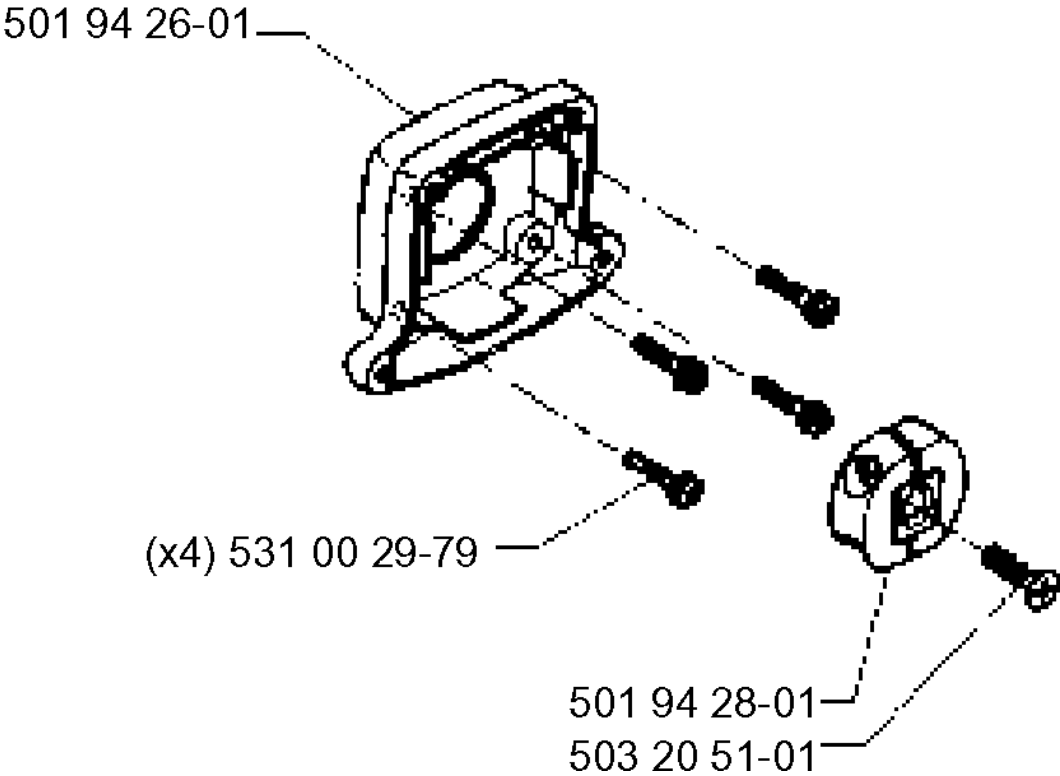


FUEL TANK

26H, 1995140001-Current

| Part No | Description | Remark | QTY KIT |
|--------------|---------------|--------|---------|
| 501 79 07-01 | HOSE CLAMP | | 2 |
| 501 79 08-01 | TUBE | | 1 |
| 501 93 13-01 | CONNECTION | | 1 |
| 503 21 83-39 | SCREW | | 1 |
| 503 21 83-39 | SCREW | | 1 |
| 531 00 25-67 | FILTER | | 1 |
| 531 00 29-49 | TANK ASSY | | 1 |
| 531 00 29-49 | TANK ASSY | | 1 |
| 531 00 29-50 | HOSE | | 1 |
| 531 00 29-51 | BUSHING | | 1 |
| 531 00 29-52 | HOSE | | 1 |
| 531 00 29-53 | PLUG | | 1 |
| 531 00 29-54 | TANK CAP ASSY | | 1 |
| 531 00 29-55 | TANK CAP | | 1 |
| 531 00 29-56 | COVER | | 1 |
| 531 00 29-57 | GASKET | | 1 |
| 531 00 29-58 | HOLDER | | 1 |
| 531 00 29-59 | PAD | | 2 |
| 531 00 29-60 | HOLDER | | 1 |

K



CLUTCH

26H, 19951400001-Current

| Part No | Description | Remark | QTY KIT |
|--------------|--------------|--------|---------|
| 501 94 26-01 | ENGINE PLATE | | 1 |
| 501 94 28-01 | CLUTCH ASSY | | 1 |
| 503 20 51-01 | SCREW CRCFSM | | 1 |
| 531 00 29-79 | SCREW | | 4 |