

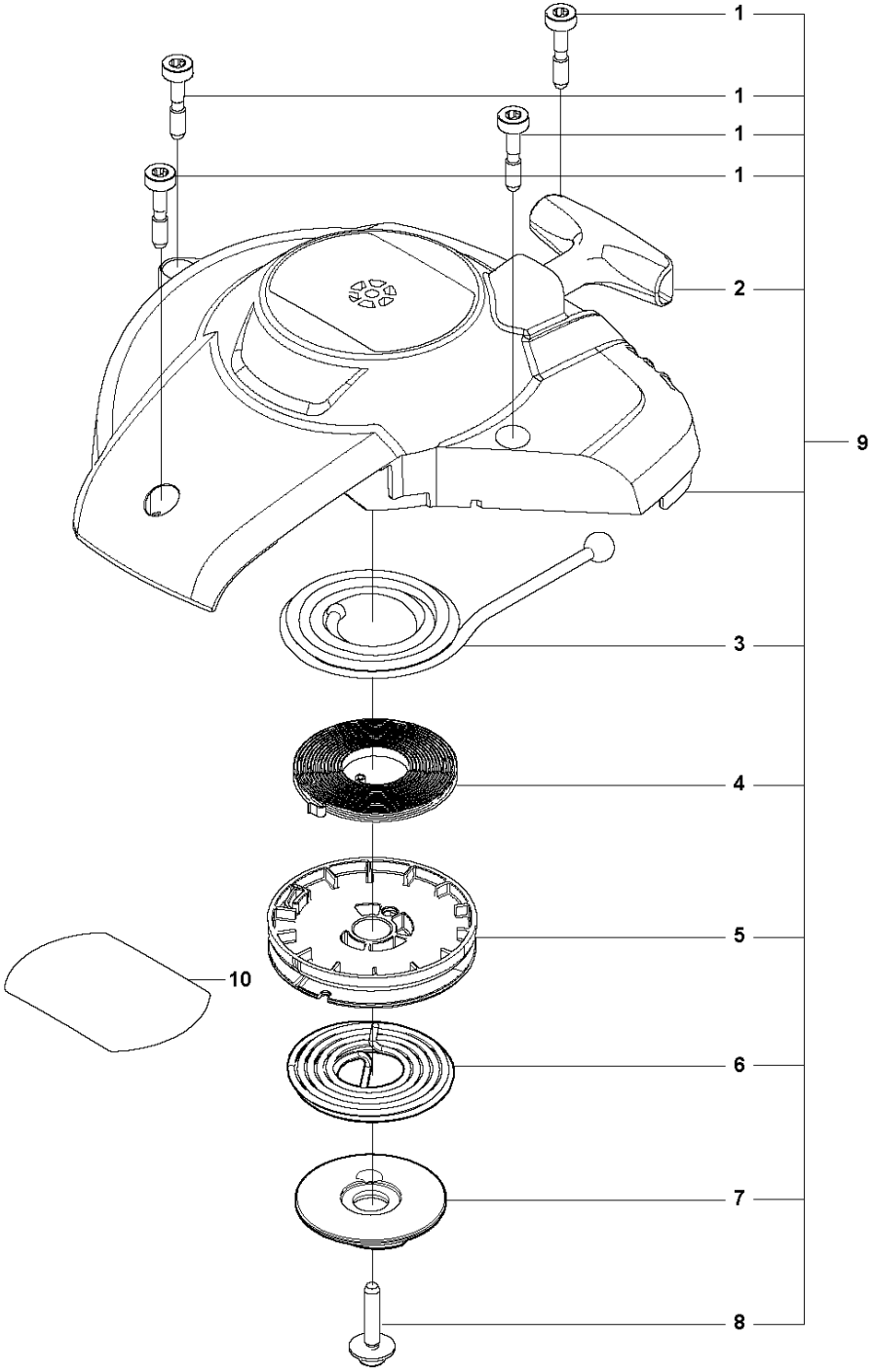


SPARE PARTS LIST

HEDGE TRIMMERS/POLE HEDGE
TRIMMERS

322 HD60

A 322HD60
STARTER

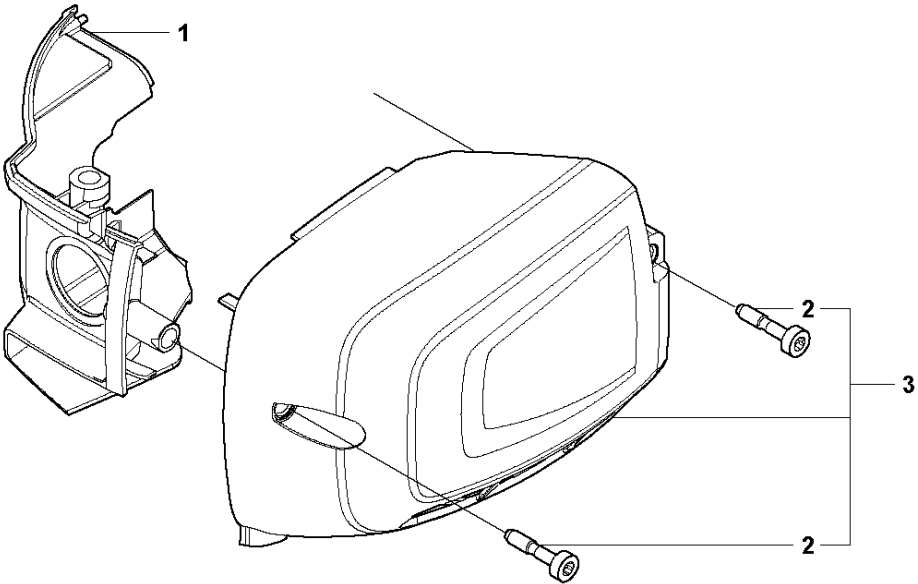


STARTER

322 HD60

Ref	Part No	Description	Remark	QTY	KIT
1	504 08 80-01	SCREW ITXSCM		4	
2	575 48 95-01	STARTER HANDLE		1	9
3	574 28 69-02	STARTER CORD		1	9
4	575 89 64-01	SPRING		1	9
5	523 01 07-01	STARTER PULLEY		1	9
6	523 01 10-01	SPRING		1	9
7	580 95 12-01	DRIVER		1	9
8	577 22 61-03	SCREW ITXSCT		1	9
9	597 02 05-01	STARTER ASSY		1	9
10	593 97 54-01	LABEL		1	

B 322HD60
CYLINDER COVER

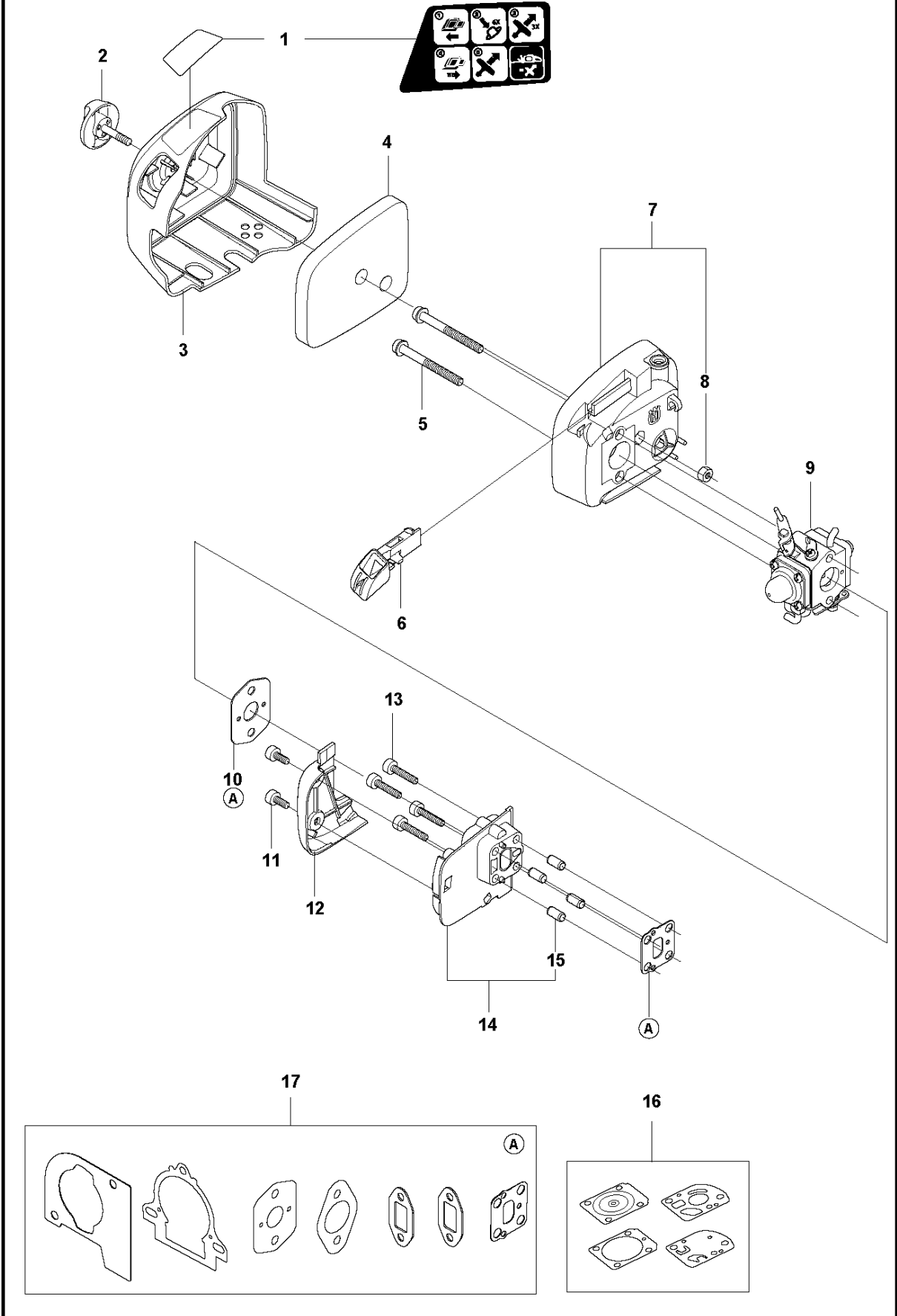


CYLINDER COVER

322 HD60

Ref	Part No	Description	Remark	QTY	KIT
1	596 25 28-01	CYLINDER COVER		1	
2	504 08 80-01	SCREW ITXSCM		2	3
3	597 02 09-01	HEAT PROTECTOR		1	

C 322HD60
CARBURETOR & AIRFILTER

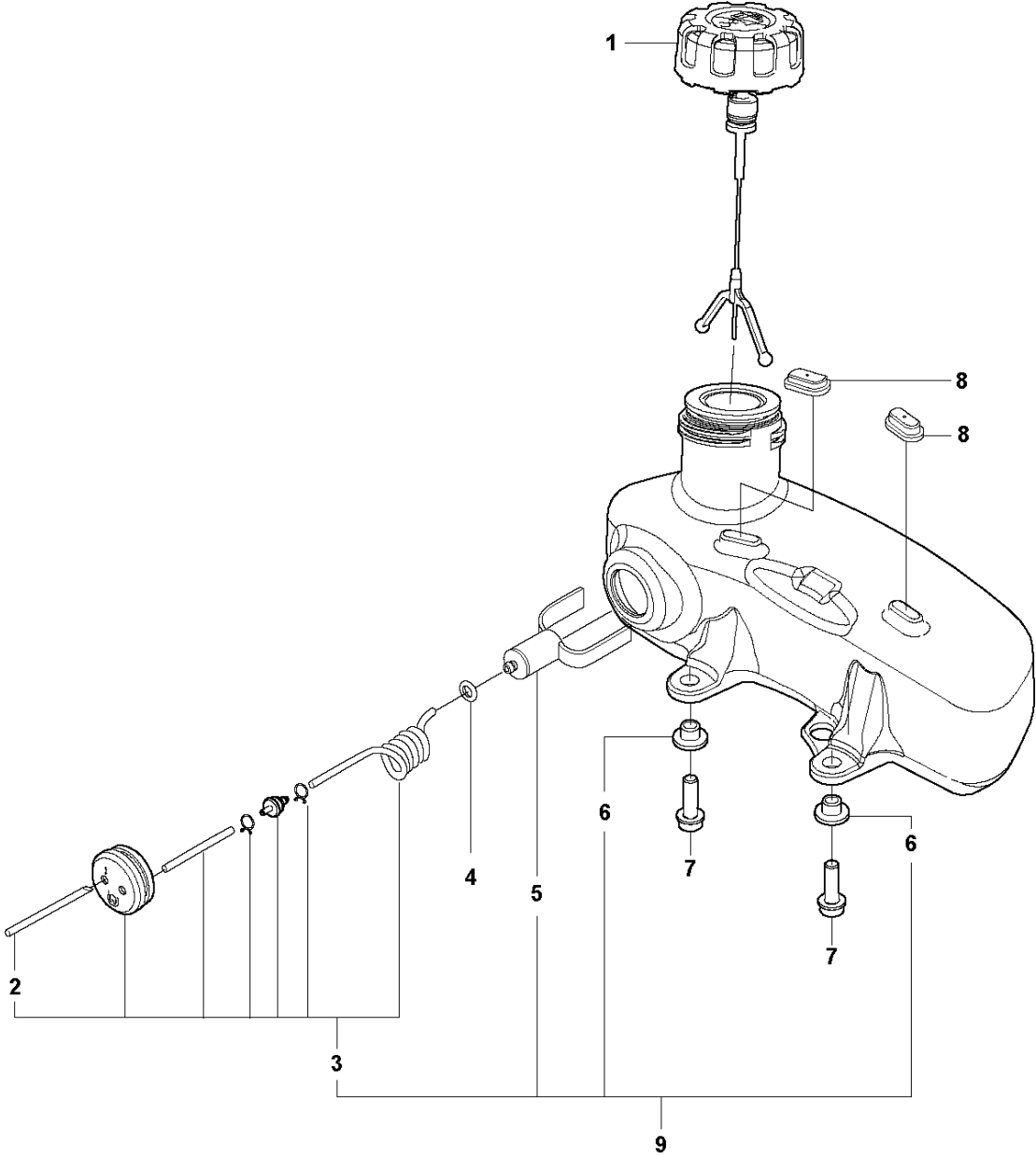


CARBURETOR & AIR FILTER

322 HD60

Ref	Part No	Description	Remark	QTY	KIT
1	576 64 56-01	DECAL		1	
2	537 21 32-09	KNOB		1	
3	523 01 31-01	AIR FILTER COVER		1	
4	523 01 34-01	AIR FILTER		1	
5	573 92 58-02	SCREW ITXSCFT		2	
6	523 01 25-01	CHOKE		1	
7	523 01 27-01	FILTER HOLDER ASSY		1	
8	731 23 14-01	HEXAGON NUT		1	7
9	596 65 83-01	CARBURETTOR		1	
10	525 54 85-01	GASKET		1	17
11	574 44 40-02	SCREW ITXSCFT		2	
12	576 27 75-01	BRACKET		1	
13	525 76 09-04	SCREW ITXSCM		4	
14	525 74 17-01	MANIFOLD		1	
15	522 91 13-01	TUBULAR RIVET		4	14
16	588 98 60-01	CARBURETTOR KIT		1	
17	597 02 11-01	GASKET KIT		1	

D 322HD60
FUEL TANK

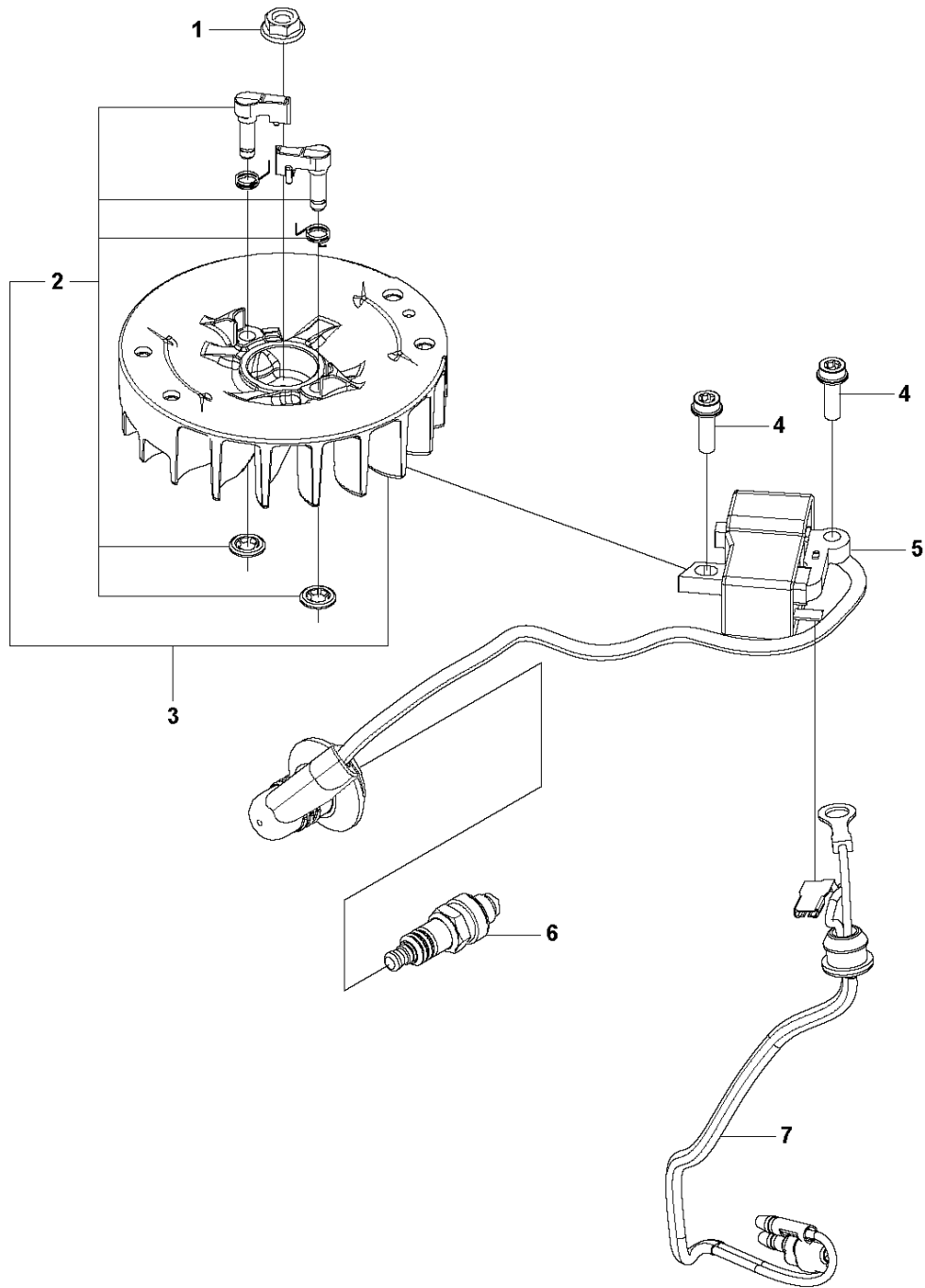


FUEL TANK

322 HD60

Ref	Part No	Description	Remark	QTY	KIT
1	504 11 32-01	TANK CAP		1	
2	574 60 02-01	HOSE		2	9
3	580 85 40-01	HOSE		1	9
4	537 18 49-01	O-RING		1	3,9
5	574 60 39-01	FUEL FILTER		1	9
6	544 10 58-02	TUBULAR RIVET		1	9
7	525 75 51-01	SCREW ITXSCFM		1	
8	525 82 20-01	FUEL TANK ISOLATOR		2	
9	523 01 42-05	TANK ASSY		2	

E 322HD60
IGNITION SYSTEM

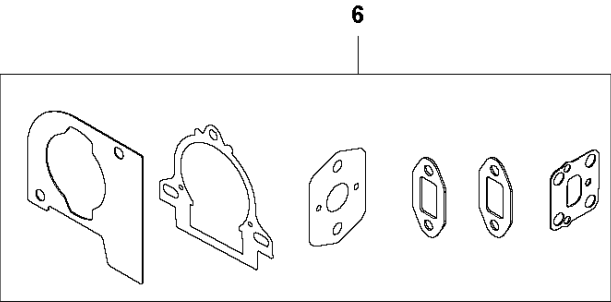
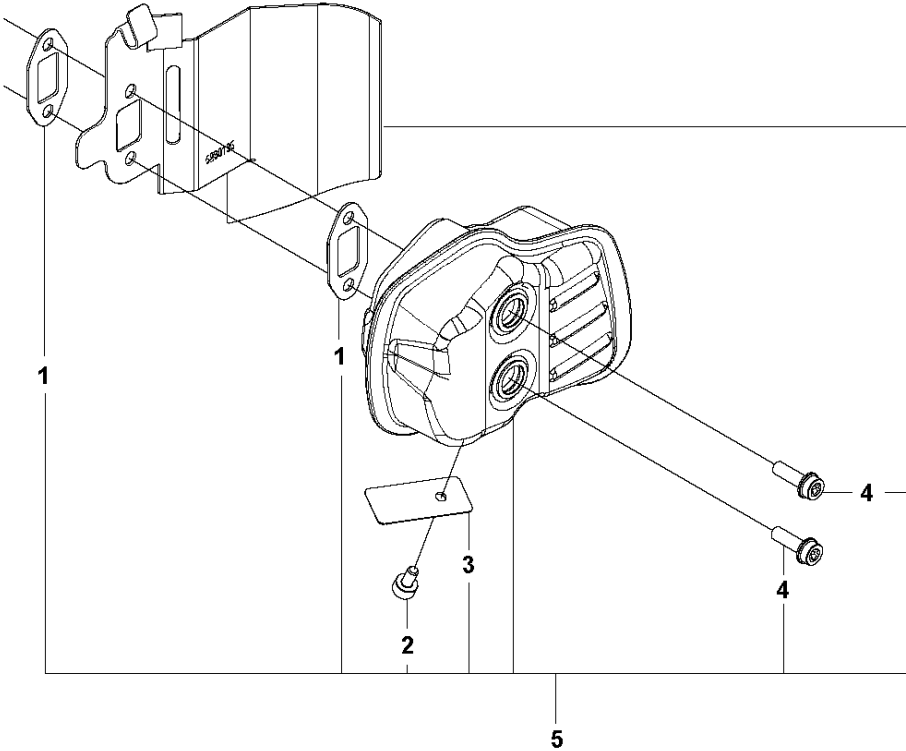


IGNITION SYSTEM

322 HD60

Ref	Part No	Description	Remark	QTY	KIT
1	731 71 16-51	HEXAGON NUT FLANGE		1	
2	597 02 93-01	SCREW KIT		1	3
3	525 73 95-01	FLYWHEEL ASSY		1	
4	525 75 51-01	SCREW ITXSCFM		2	
5	585 07 40-02	IGNITION MODULE		1	
6	590 71 02-01	SPARK PLUG		1	
7	574 48 89-02	SHORT CIRCUIT CABLE		1	

F 322HD60
MUFFLER



MUFFLER

322 HD60

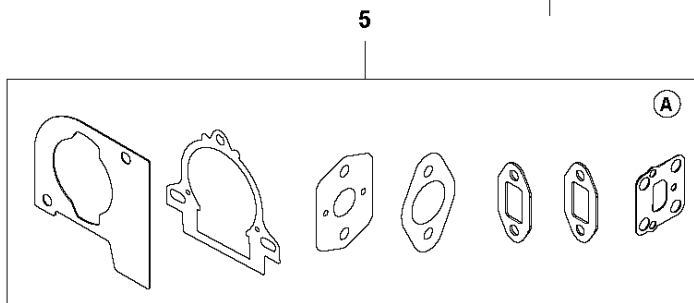
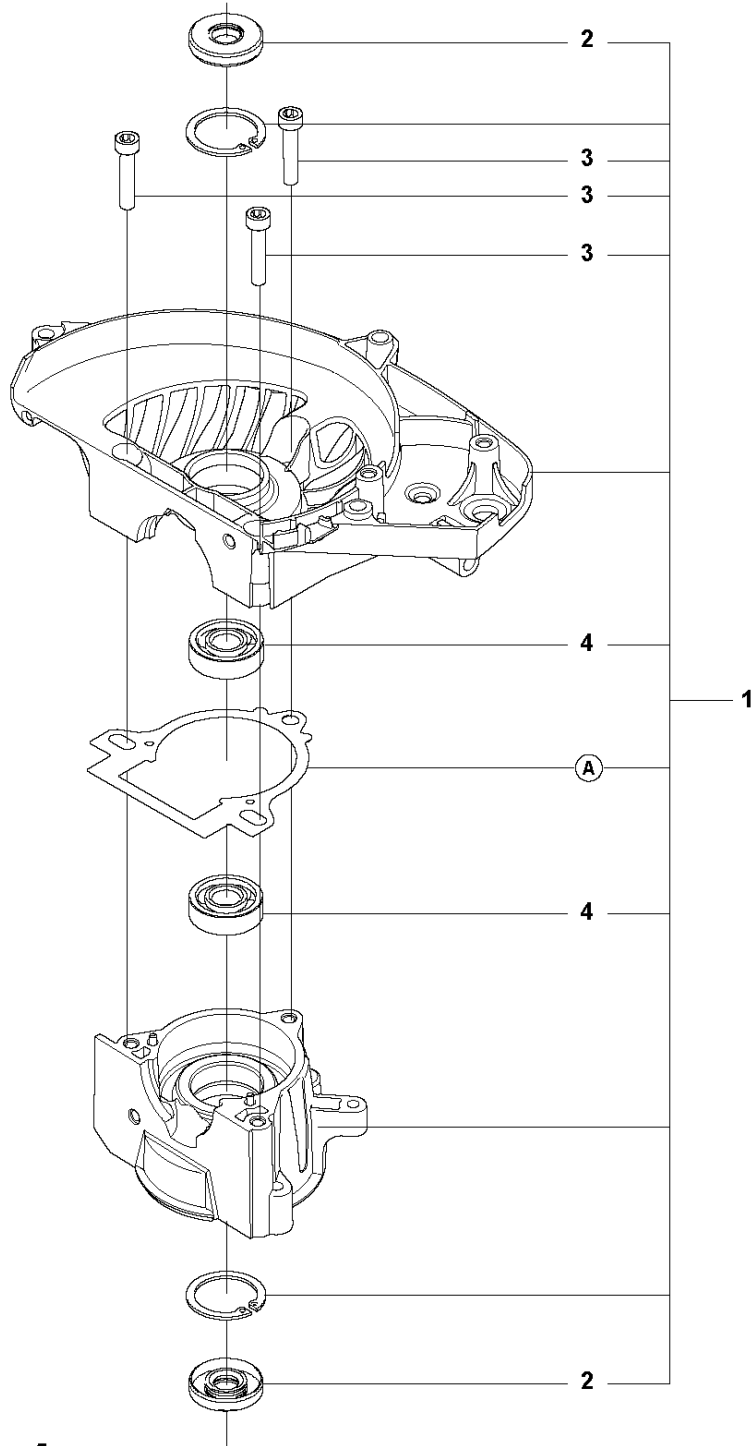
Ref	Part No	Description	Remark	QTY	KIT
1	522 99 73-01	GASKET		2	5
2	504 08 79-01	SCREW ITXSCM		1	5
3	525 74 16-01	SPARK ARRESTER		1	5
4	525 75 51-01	SCREW ITXSCFM		2	5
5	593 87 64-02	MUFFLER ASSY		1	
6	597 02 11-01	GASKET KIT		1	

CYLINDER PISTON

322 HD60

Ref	Part No	Description	Remark	QTY	KIT
1	525 82 50-01	SCREW ITXSCM		2	
2	737 44 08-00	CIRCLIP		2	5, 6
3	597 29 22-01	BEARING KIT		1	5, 6
4	505 15 58-02	PISTON RING		1	5, 6
5	510 22 36-04	PISTON ASSY		1	6
6	597 02 44-02	CYLINDER ASSY		1	
7	597 02 11-01	GASKET KIT		1	

H 322HD60
CRANKCASE

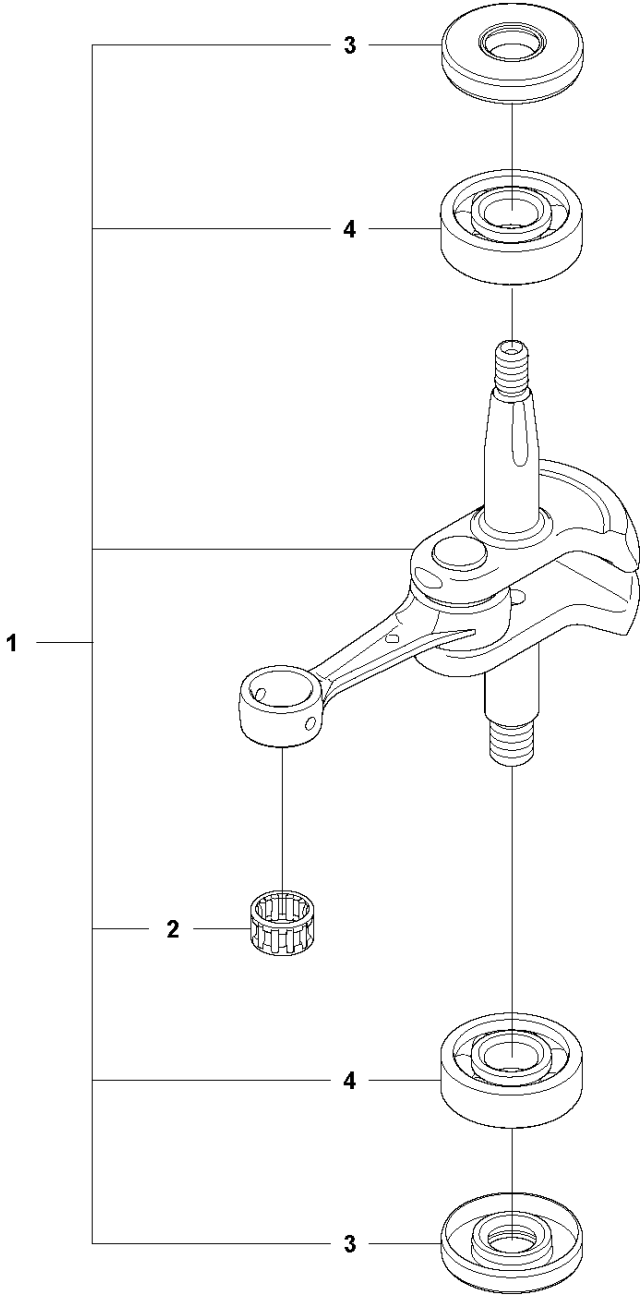


CRANKCASE

322 HD60

Ref	Part No	Description	Remark	QTY	KIT
1	577 66 99-02	CRANKCASE		1	
2	525 63 73-01	SEALING RING		2	1
3	525 82 50-01	SCREW ITXSCM		3	1
4	525 72 84-01	BALL BEARING		2	1
5	597 02 11-01	GASKET KIT		1	

**322HD60
CRANK SHAFT**

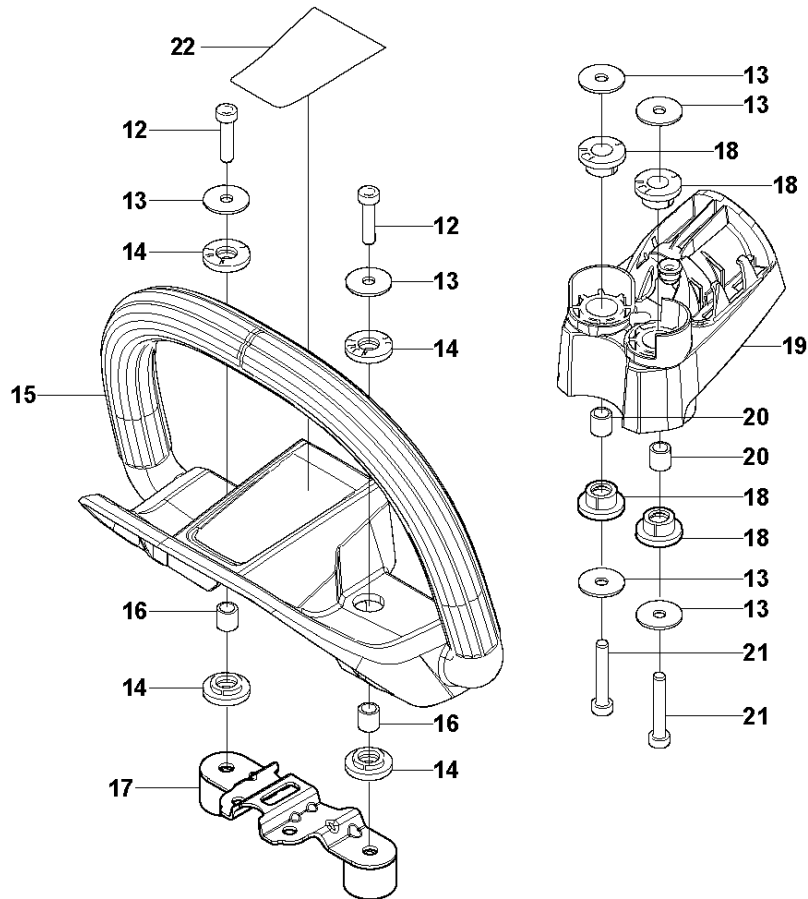
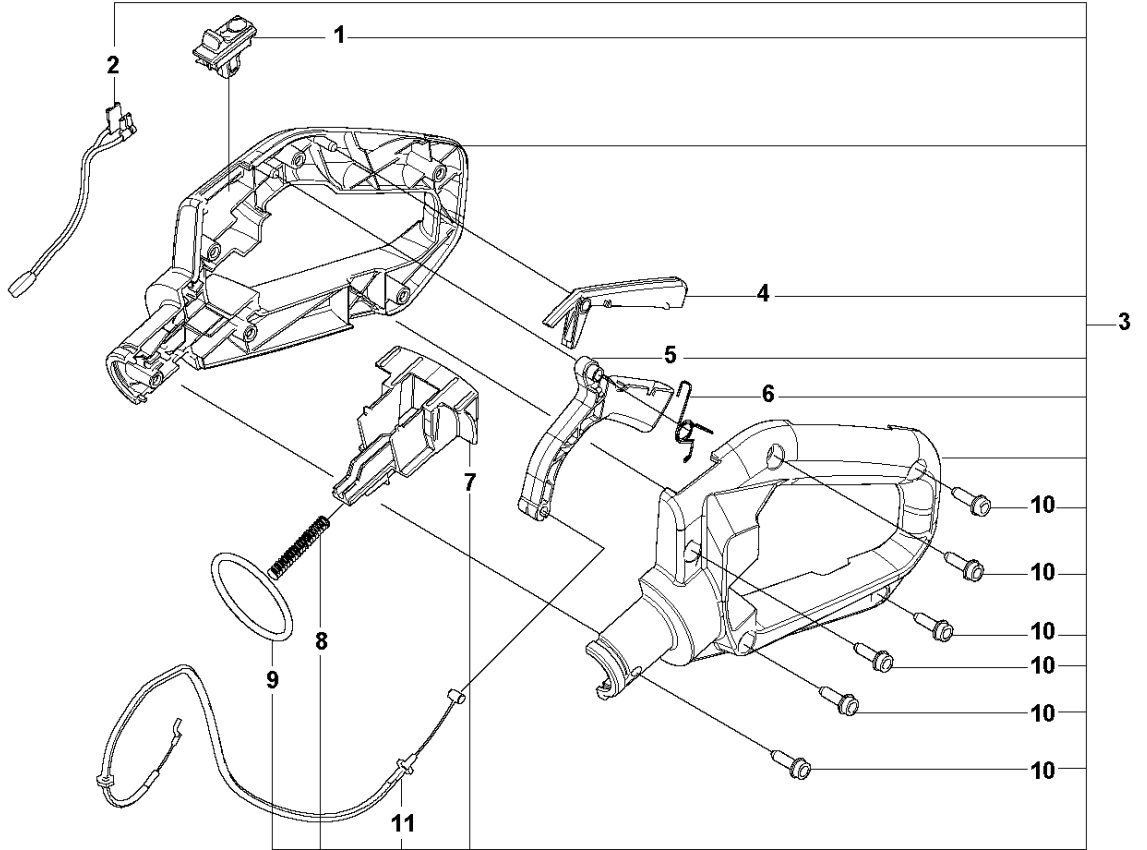


CRANKSHAFT

322 HD60

Ref	Part No	Description	Remark	QTY	KIT
1	577 67 00-02	CRANKSHAFT KIT		1	
2	575 50 49-01	NEEDLE BEARING		1	1
3	525 63 73-01	SEALING RING		2	1
4	525 72 84-01	BALL BEARING		2	1

J 322HD60
HANDLE

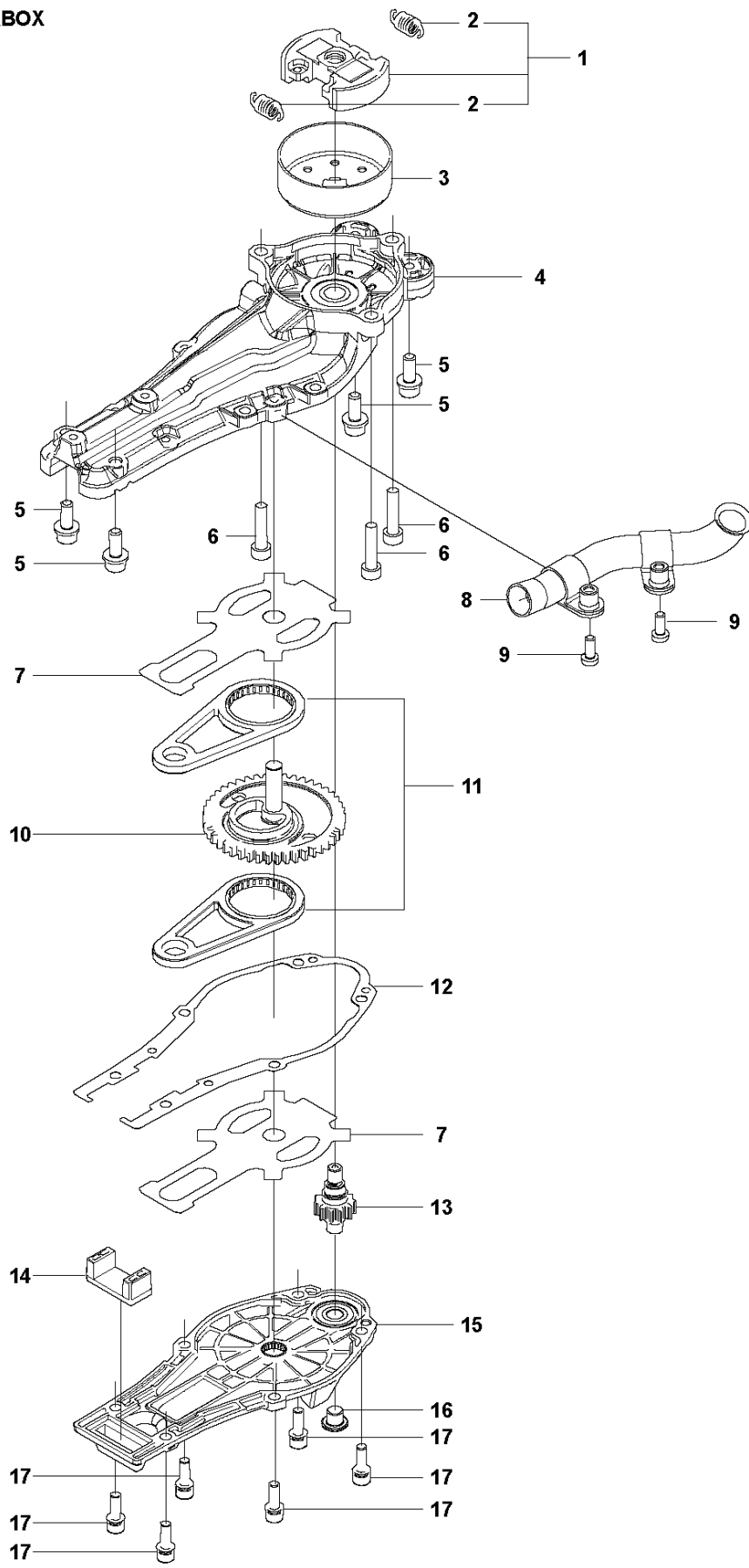


HANDLE & CONTROLS

322 HD60

Ref	Part No	Description	Remark	QTY	KIT
1	537 41 90-01	SWITCH		1	3
2	574 48 88-02	SHORT CIRCUIT CABLE		1	3
3	598 38 74-01	REAR HANDLE ASSY		1	
4	504 08 97-01	THROTTLE LOCKOUT		1	3
5	504 08 94-01	THROTTLE CONTROL		1	3
6	504 08 96-01	SPRING		1	3
7	504 08 95-01	LOCKING BUTTON		1	3
8	504 08 98-02	RECOIL SPRING		1	3
9	575 23 20-02	O-RING		1	3
10	573 92 58-01	SCREW ITXSCFT		6	3
11	575 57 21-01	THROTTLE CABLE ASSY		1	3
12	544 21 84-03	SCREW ITXSCM		2	
13	734 18 14-55	WASHER		6	
14	525 63 36-01	ANTIVIBRATION ELEMENT		4	
15	504 09 12-01	HANDLE		4	
16	525 63 38-01	SLEEVE		2	
17	593 32 40-01	BRACKET		1	
18	525 63 35-01	ANTIVIBRATION ELEMENT		4	
19	523 01 54-01	HANDLE HOLDER		1	
20	525 63 37-01	SLEEVE		2	
21	544 21 84-05	SCREW ITXSCM		2	
22	587 13 00-02	LABEL		1	

K 322HD60
CLUTCH & GEARBOX

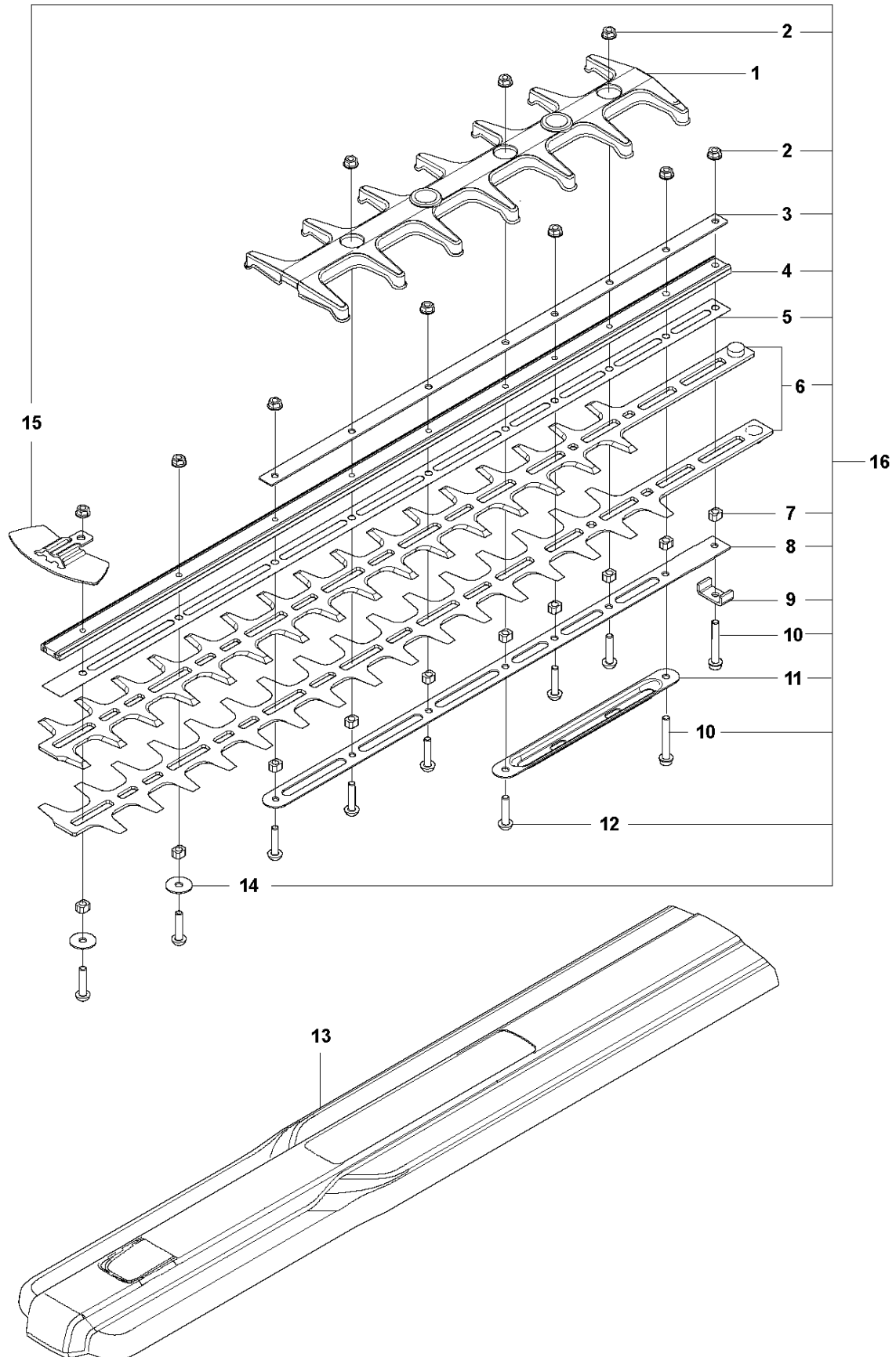


GEAR HOUSING

322 HD60

Ref	Part No	Description	Remark	QTY	KIT
1	512 35 90-02	CLUTCH ASSY		1	
2	590 81 96-01	CLUTCH SPRING		2	1
3	590 53 64-02	CLUTCH DRUM		1	1
4	597 37 17-01	GEAR HOUSING ASSY		1	1
5	576 59 08-01	BOLT		4	
6	544 21 84-03	SCREW ITXSCM		3	
7	590 53 69-01	PLATE		2	
8	596 93 67-01	EXHAUST PIPE ASSY		1	
9	525 75 51-01	SCREW ITXSCFM		2	
10	593 65 15-01	GEAR		1	
11	597 02 17-01	ROD		1	
12	590 53 77-01	GASKET		1	
13	590 53 67-01	GEAR		1	
14	590 53 71-01	SEALING		1	
15	597 37 18-01	GEAR HOUSING ASSY		1	
16	590 64 94-01	SCREW PLUG		1	
17	575 70 10-01	SCREW		6	

L 322HD60
CUTTING EQUIPMENT

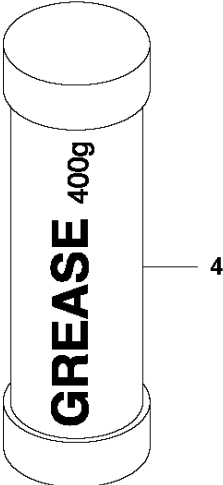
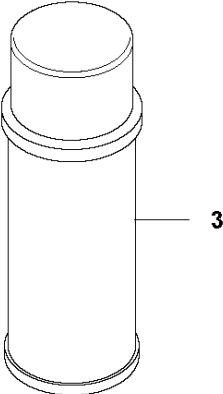
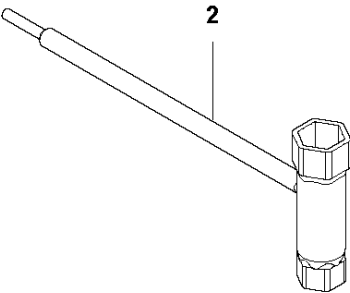
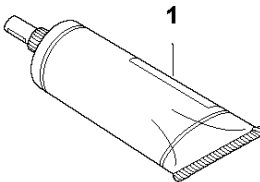


CUTTING EQUIPMENT

322 HD60

Ref	Part No	Description	Remark	QTY	KIT
1	598 77 60-01	PROTECTOR BAR		1	
2	592 75 13-01	NUT		10	16
3	592 84 87-01	BAR PLATE		1	16
4	590 32 71-01	GUIDE BAR		1	16
5	590 32 75-01	WEAR PLATE		1	16
6	597 02 18-01	BLADE KIT		1	16
7	592 65 43-01	SPACER		10	16
8	590 32 84-01	BAR PLATE		1	16
9	590 33 93-01	BRACKET		1	16
10	525 75 51-09	SCREW ITXSCFM		2	16
11	592 88 94-01	BAR PLATE		1	16
12	592 73 25-01	SCREW		8	16
13	590 65 14-01	TRANSPORT GUARD		1	
14	592 73 81-01	WASHER		2	16
15	590 71 26-01	PROTECTION		1	
16	597 25 43-07	CUTTING DECK KIT		1	

M 322HD60
ACCESSORIES



ACCESSORIES

322 HD60

Ref	Part No	Description	Remark	QTY KIT
1	587 29 99-01	GREASE		1
2	575 73 82-01	COMBINATION WRENCH		1
3	544 14 21-01	GREASE	UL21	1
4	588 81 48-01	GREASE		1