

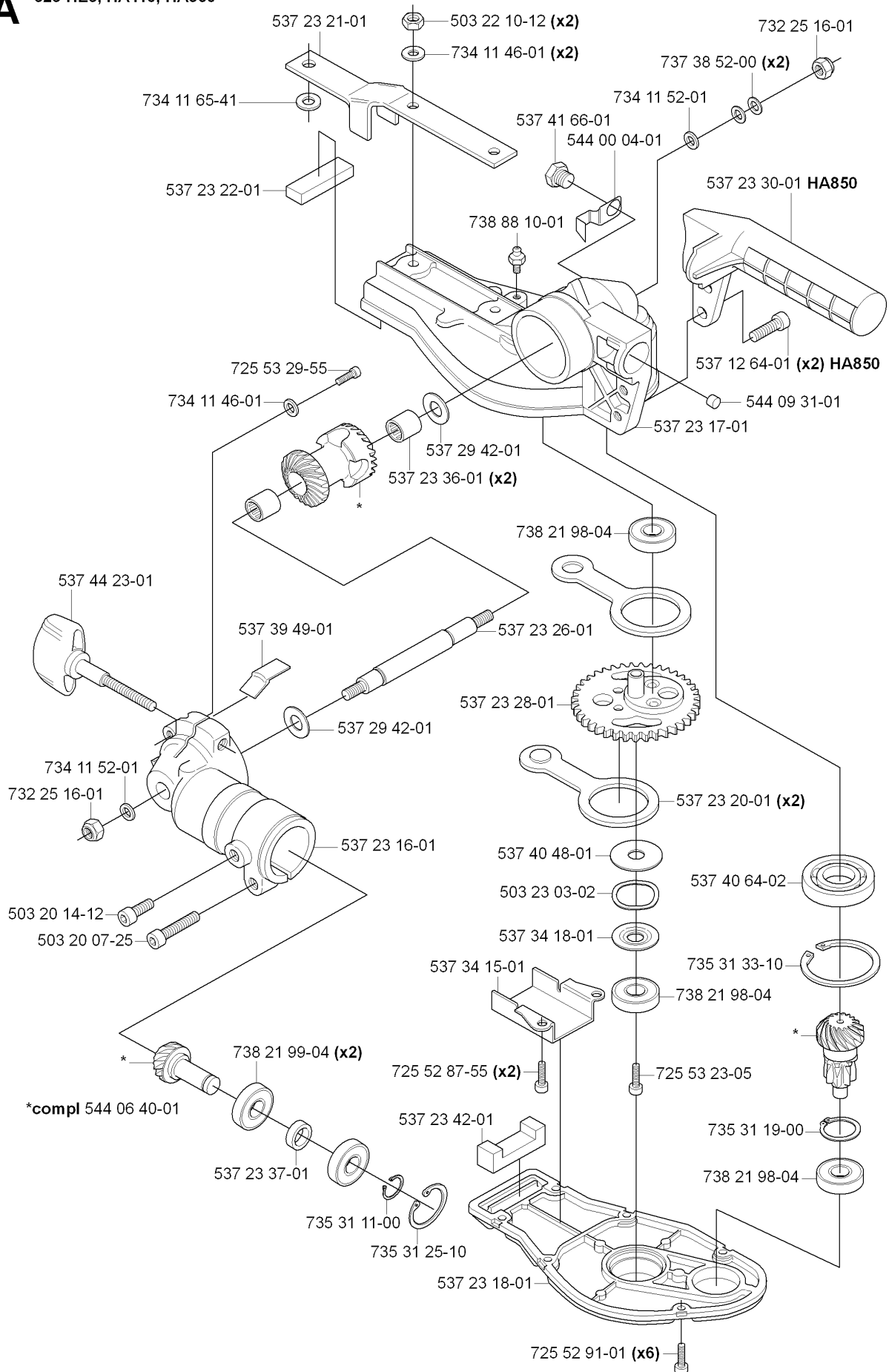


SPARE PARTS LIST

HEDGE TRIMMERS/POLE HEDGE
TRIMMERS

323 HE3, 20090900001-Current

A 323 HE3, HA110, HA850

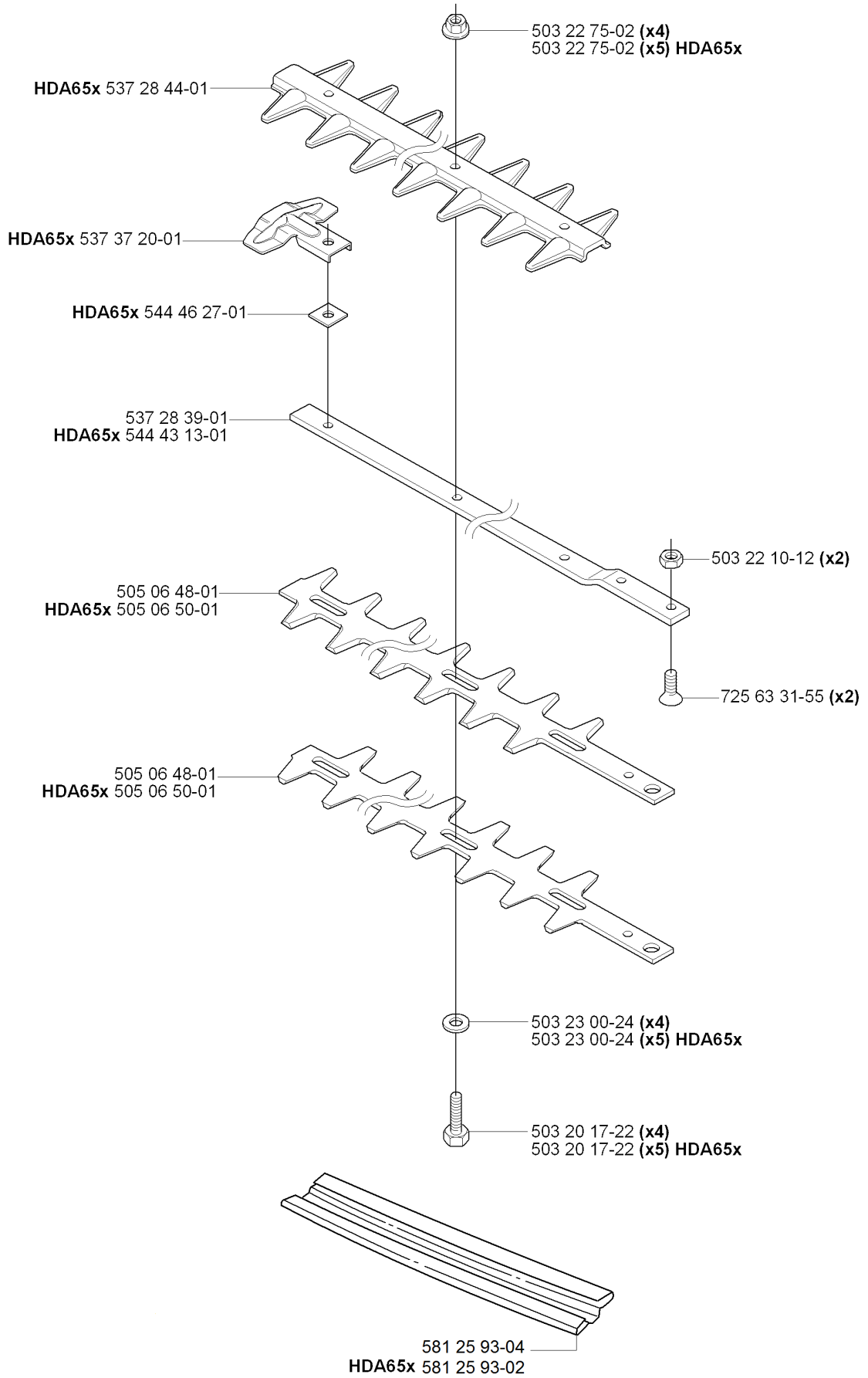


GEAR HOUSING

323 HE3, 20090900001-Current

| Part No | Description | Remark | QTY KIT |
|--------------|---------------------|--------|---------|
| 503 20 07-25 | SCREW IHSCFM | | 1 |
| 503 20 14-12 | SCREW IHSCFMO | | 1 |
| 503 22 10-12 | HEXAGON NUT | | 2 |
| 503 23 03-02 | WASHER | | 1 |
| 537 12 64-01 | SCREW | HA850 | 2 |
| 537 23 16-01 | GEAR HOUSING | | 1 |
| 537 23 17-01 | GEAR HOUSING | | 1 |
| 537 23 18-01 | HUB CAP | | 1 |
| 537 23 20-01 | CONNECTING ROD | | 2 |
| 537 23 21-01 | BASEPLATE | | 1 |
| 537 23 22-01 | SEALING | | 1 |
| 537 23 26-01 | SHAFT | | 1 |
| 537 23 28-01 | GEAR WHEEL | | 1 |
| 537 23 30-01 | HANDLE | HA850 | 1 |
| 537 23 36-01 | NEEDLE BEARING | | 2 |
| 537 23 37-01 | SPACER | | 1 |
| 537 23 42-01 | SEALING | | 1 |
| 537 29 42-01 | WASHER | | 1 |
| 537 29 42-01 | WASHER | | 1 |
| 537 34 15-01 | GUIDE PLATE | | 1 |
| 537 34 18-01 | WASHER | | 1 |
| 537 39 49-01 | SEALING | | 1 |
| 537 40 48-01 | WASHER | | 1 |
| 537 40 64-02 | BALL BEARING | | 1 |
| 537 41 66-01 | PLUG | | 1 |
| 537 44 23-01 | KNOB | | 1 |
| 544 00 04-01 | STOP | | 1 |
| 544 06 40-01 | GEAR WHEEL | | 1 |
| 544 09 31-01 | PLUG | | 1 |
| 725 52 87-55 | SCREW IHSCM | | 2 |
| 725 52 91-01 | SCREW IHSCM | | 6 |
| 725 53 23-05 | SCREW IHSCM | | 1 |
| 725 53 29-55 | SCREW IHSCM | | 1 |
| 732 25 16-01 | HEXAGON LOCKING NUT | | 1 |
| 732 25 16-01 | HEXAGON LOCKING NUT | | 1 |
| 734 11 46-01 | WASHER | | 2 |
| 734 11 46-01 | WASHER | | 1 |
| 734 11 52-01 | WASHER | | 1 |
| 734 11 52-01 | WASHER | | 1 |
| 734 11 65-41 | WASHER | | 1 |
| 735 31 11-00 | CIRCLIP | | 1 |
| 735 31 19-00 | CIRCLIP | | 1 |
| 735 31 25-10 | CIRCLIP | | 1 |
| 735 31 33-10 | CIRCLIP | | 1 |
| 737 38 52-00 | DISC SPRING | | 2 |
| 738 21 98-04 | BALL BEARING | | 1 |
| 738 21 98-04 | BALL BEARING | | 1 |
| 738 21 98-04 | BALL BEARING | | 1 |
| 738 21 99-04 | BALL BEARING | | 2 |
| 738 88 10-01 | LUBRICATION NIPPLE | | 1 |

B compl 505 06 57-01 325 HDA65x
compl 505 06 55-02 323 HE3, 325 HE3x, 325 HE4x, HA110, HA850

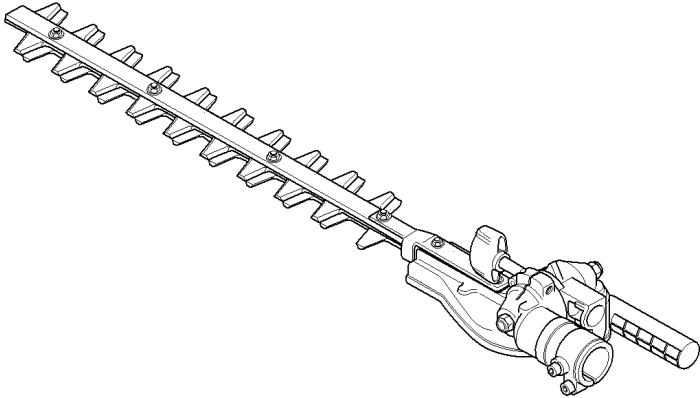


CUTTING EQUIPMENT

323 HE3, 20090900001-Current

| Part No | Description | Remark | QTY KIT |
|--------------|------------------|--------|---------|
| 503 20 17-22 | SCREW EHHM | HDA65x | 5 |
| 503 20 17-22 | SCREW EHHM | | 4 |
| 503 22 10-12 | HEXAGON NUT | | 2 |
| 503 22 75-02 | NUT | | 4 |
| 503 22 75-02 | NUT | HDA65x | 5 |
| 503 23 00-24 | WASHER | HDA65x | 5 |
| 503 23 00-24 | WASHER | | 4 |
| 505 06 48-01 | BLADE | | 1 |
| 505 06 48-01 | BLADE | | 1 |
| 505 06 50-01 | BLADE | HDA65x | 1 |
| 505 06 50-01 | BLADE | | 1 |
| 505 06 55-02 | CUTTING DECK | | 1 |
| 505 06 57-01 | CUTTING DECK | | 1 |
| 537 28 39-01 | BEAM | | 1 |
| 537 28 44-01 | PROTECTIVE PLATE | HDA65x | 1 |
| 537 37 20-01 | COVER | HDA65x | 1 |
| 544 43 13-01 | BEAM | HDA65x | 1 |
| 544 46 27-01 | WASHER STEEL | HDA65x | 1 |
| 581 25 93-02 | TRANSPORT GUARD | | 1 |
| 581 25 93-04 | TRANSPORT GUARD | | 1 |
| 725 63 31-55 | SCREW IHCSFM | | 2 |

C 323 HE3
compl 521 91 93-06

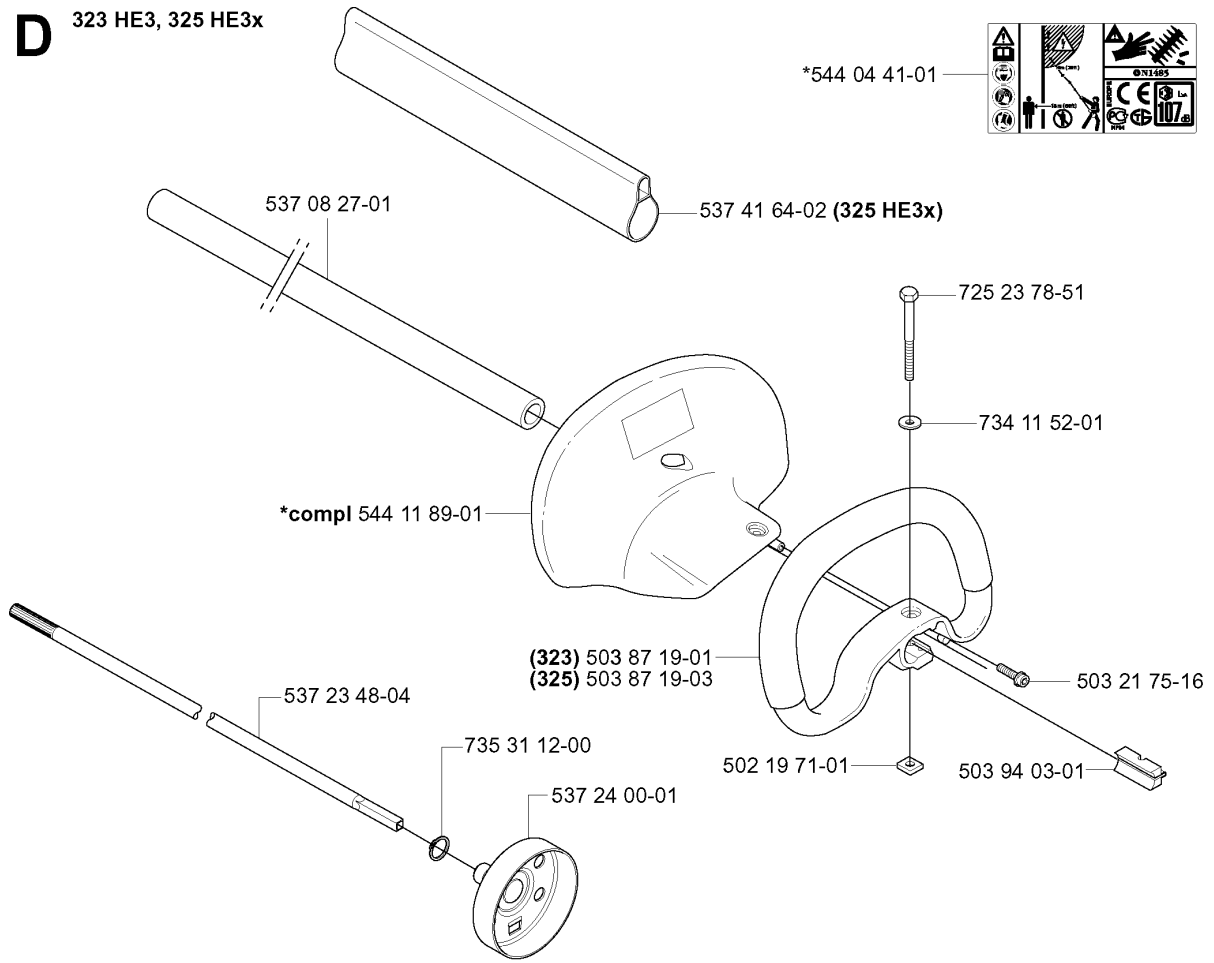


CUTTING EQUIPMENT

323 HE3, 20090900001-Current

| Part No | Description | Remark | QTY KIT |
|--------------|------------------|--------|---------|
| 521 91 93-06 | CUTTING DECK KIT | | 1 |

D 323 HE3, 325 HE3x

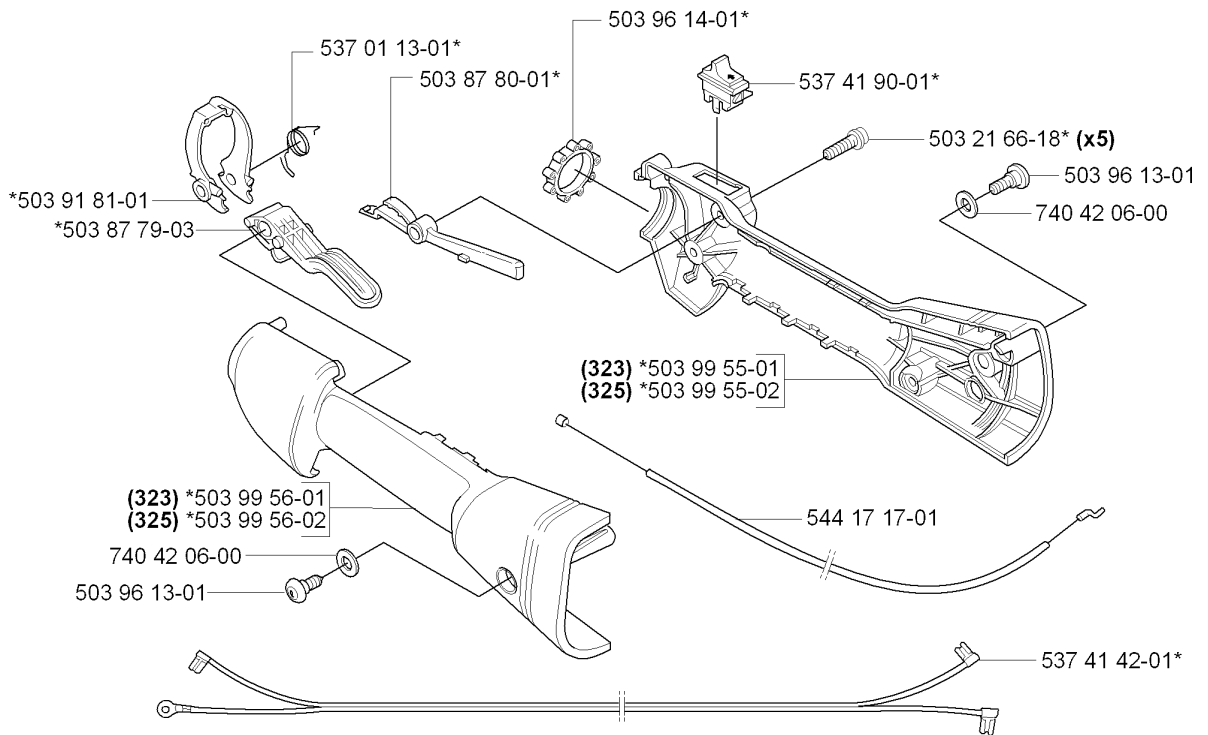


HANDLE & CONTROLS

323 HE3, 20090900001-Current

| Part No | Description | Remark | QTY KIT |
|--------------|------------------|----------|---------|
| 502 19 71-01 | SQUARE NUT | | 1 |
| 503 21 75-16 | SCREW IHSCFT | | 1 |
| 503 87 19-01 | HANDLE LOOP | 323 | 1 |
| 503 87 19-03 | HANDLE | | 1 |
| 503 94 03-01 | DISTANCE | | 1 |
| 537 08 27-01 | TUBE | | 1 |
| 537 23 48-04 | DRIVE SHAFT | | 1 |
| 537 24 00-01 | CLUTCH DRUM ASSY | | 1 |
| 537 41 64-02 | COVER | 325 HE3x | 1 |
| 544 04 41-01 | LABEL | | 1 |
| 544 11 89-01 | HAND GUARD | | 1 |
| 725 23 78-51 | SCREW EHHM | | 1 |
| 734 11 52-01 | WASHER | | 1 |
| 735 31 12-00 | CIRCLIP | | 1 |

F *compl 537 44 38-01 (323)
*compl 537 44 38-02 (325)

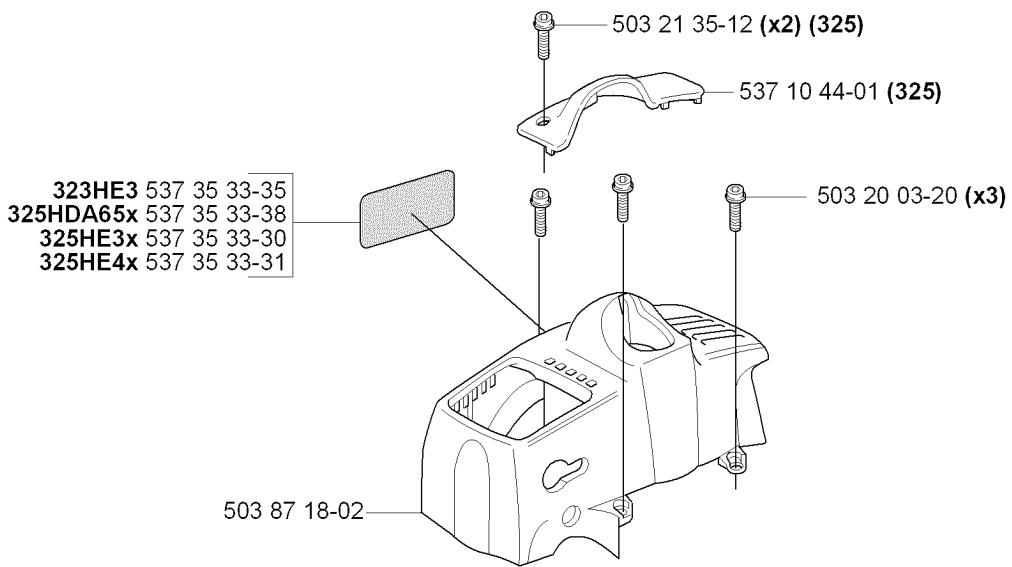


HANDLE & CONTROLS

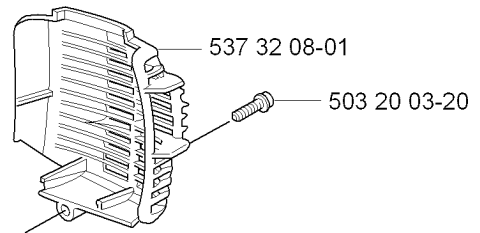
323 HE3, 20090900001-Current

| Part No | Description | Remark | QTY KIT |
|--------------|---------------------|--------|---------|
| 503 21 66-18 | SCREW IHSCT | | 5 |
| 503 87 79-03 | THROTTLE TRIGGER | | 1 |
| 503 87 80-01 | THROTTLE LOCKOUT | | 1 |
| 503 91 81-01 | THROTTLE LEVER | | 1 |
| 503 96 13-01 | SCREW | | 1 |
| 503 96 13-01 | SCREW | | 1 |
| 503 96 14-01 | ABSORBER | | 1 |
| 503 99 55-01 | HANDLE HALF | 323 | 1 |
| 503 99 55-02 | HANDLE HALF | 325 | 1 |
| 503 99 56-01 | HANDLE HALF | 323 | 1 |
| 503 99 56-02 | HANDLE HALF | 325 | 1 |
| 537 01 13-01 | RECOIL SPRING | | 1 |
| 537 41 42-01 | SHORT CIRCUIT CABLE | | 1 |
| 537 41 90-01 | SWITCH | | 1 |
| 537 44 38-01 | HANDLE | | 1 |
| 537 44 38-02 | HANDLE | | 1 |
| 544 17 17-01 | THROTTLE CABLE ASSY | | 1 |
| 740 42 06-00 | O-RING | | 1 |
| 740 42 06-00 | O-RING | | 1 |

G



-  537 35 33-35 **323HE3**
-  537 35 33-38 **325HDA65x**
-  537 35 33-30 **325HE3x**
-  537 35 33-31 **325HE4x**

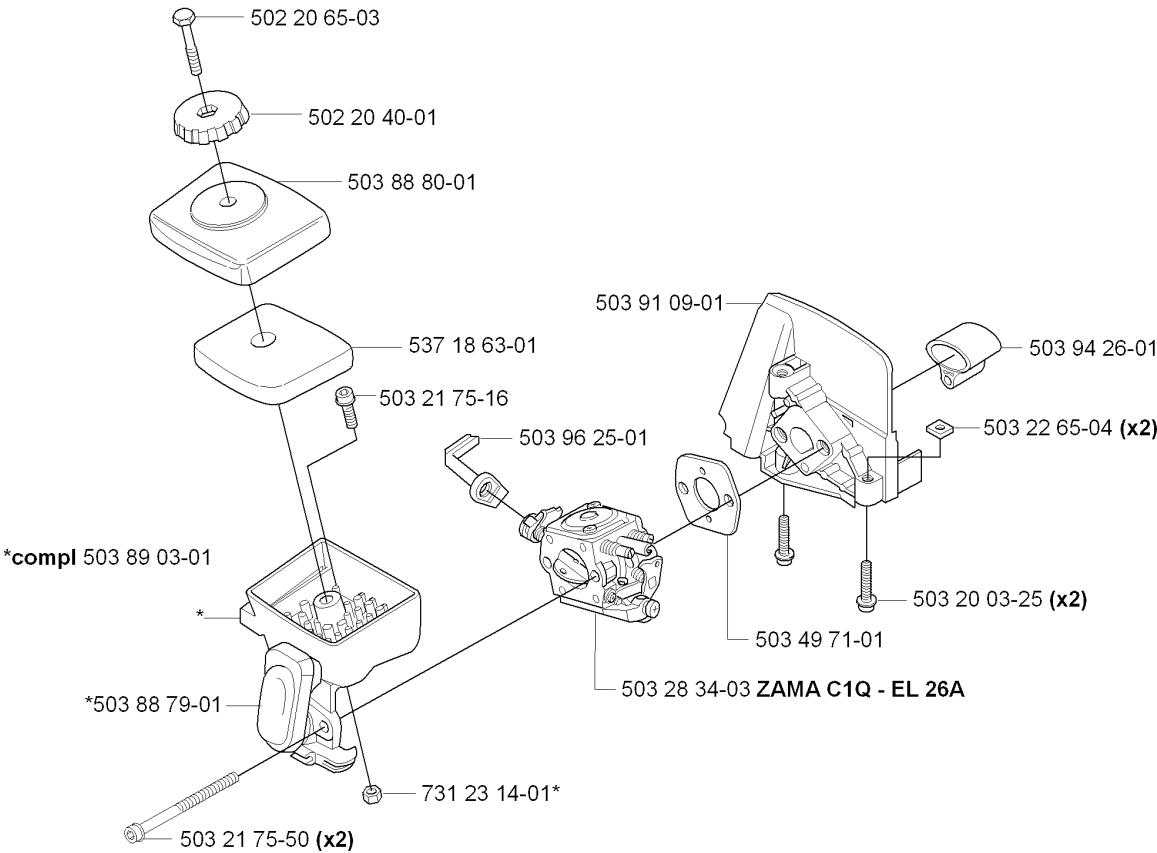


CYLINDER COVER

323 HE3, 20090900001-Current

| Part No | Description | Remark | QTY KIT |
|--------------|----------------|-----------|---------|
| 503 20 03-20 | SCREW IHSCFM | | 3 |
| 503 20 03-20 | SCREW IHSCFM | | 1 |
| 503 21 35-12 | SCREW CCRPANT | 325 | 2 |
| 503 87 18-02 | CYLINDER COVER | | 1 |
| 537 10 44-01 | ARM PROTECTION | 325 | 1 |
| 537 32 08-01 | HEAT PROTECTOR | | 1 |
| 537 35 33-30 | LABEL | 325HE3x | 1 |
| 537 35 33-30 | LABEL | | 1 |
| 537 35 33-31 | LABEL | | 1 |
| 537 35 33-31 | LABEL | 325HE4x | 1 |
| 537 35 33-35 | LABEL | | 1 |
| 537 35 33-35 | LABEL | 323HE3 | 1 |
| 537 35 33-38 | LABEL | 325HDA65x | 1 |
| 537 35 33-38 | LABEL | | 1 |

H

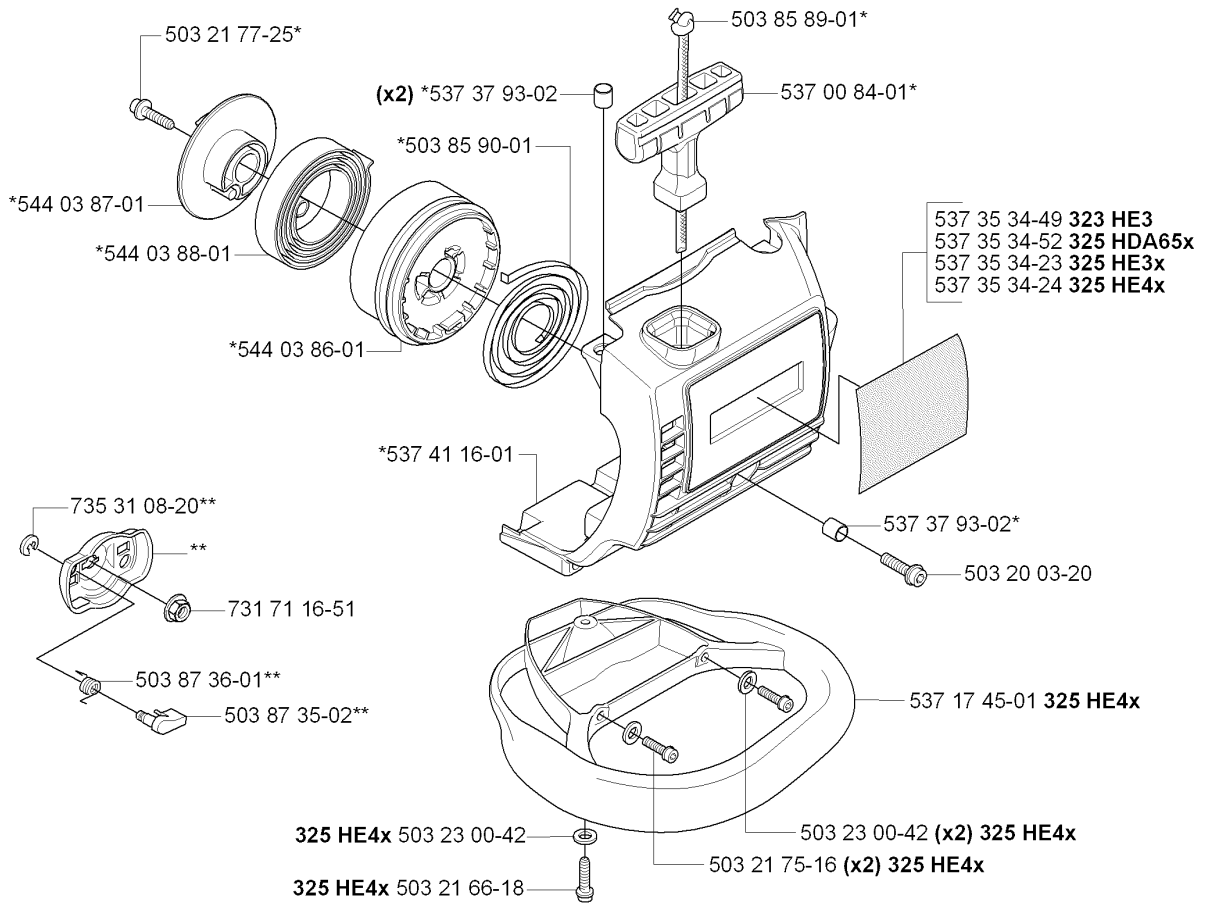


CARBURETOR & AIR FILTER

323 HE3, 20090900001-Current

| Part No | Description | Remark | QTY KIT |
|--------------|-----------------|--------|---------|
| 502 20 40-01 | KNOB | | 1 |
| 502 20 65-03 | SCREW EHHM | | 1 |
| 503 20 03-25 | SCREW IHSCFM | | 2 |
| 503 21 75-16 | SCREW IHSCFT | | 1 |
| 503 21 75-50 | SCREW IHSCFT | | 2 |
| 503 22 65-04 | SQUARE NUT | | 2 |
| 503 28 34-03 | CARBURETTOR | | 1 |
| 503 49 71-01 | GASKET | | 1 |
| 503 88 79-01 | HUB CAP | | 1 |
| 503 88 80-01 | FILTER COVER | | 1 |
| 503 89 03-01 | FILTER HOLDER | | 1 |
| 503 91 09-01 | INSULATION WALL | | 1 |
| 503 94 26-01 | INLET PIPE | | 1 |
| 503 96 25-01 | CHOKE CONTROL | | 1 |
| 537 18 63-01 | AIR FILTER | | 1 |
| 731 23 14-01 | HEXAGON NUT | | 1 |

J *compl 544 07 11-02
 **compl 503 87 33-02

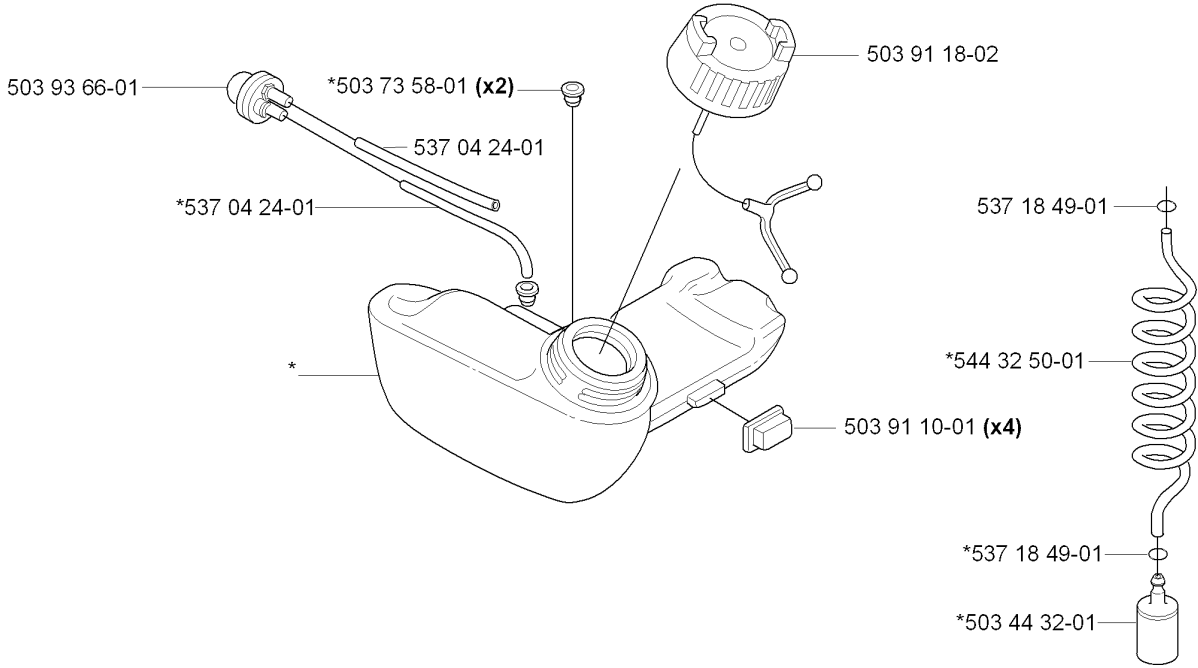


STARTER

323 HE3, 20090900001-Current

| Part No | Description | Remark | QTY KIT |
|--------------|--------------------|------------|---------|
| 503 20 03-20 | SCREW IHSCFM | | 1 |
| 503 21 66-18 | SCREW IHSCT | 325 HE4x | 1 |
| 503 21 75-16 | SCREW IHSCFT | 325 HE4x | 2 |
| 503 21 77-25 | SCREW IHSCT | | 1 |
| 503 23 00-42 | WASHER | 325 HE4x | 2 |
| 503 23 00-42 | WASHER | | 1 |
| 503 85 89-01 | STARTER ROPE | | 1 |
| 503 85 90-01 | RECOIL SPRING | | 1 |
| 503 87 33-02 | BRIDGE | | 1 |
| 503 87 35-02 | STARTER PAWL | | 1 |
| 503 87 36-01 | SPRING | | 1 |
| 537 00 84-01 | STARTER HANDLE | | 1 |
| 537 17 45-01 | HANDLE | 325 HE4x | 1 |
| 537 35 34-23 | LABEL | 325 HE3x | 1 |
| 537 35 34-24 | LABEL | 325 HE4x | 1 |
| 537 35 34-49 | LABEL | 323 HE3 | 1 |
| 537 35 34-52 | LABEL | 325 HDA65x | 1 |
| 537 37 93-02 | SPACING SLEEVE | | 1 |
| 537 37 93-02 | SPACING SLEEVE | | 2 |
| 537 41 16-01 | STARTER HOUSING | | 1 |
| 544 03 86-01 | STARTER PULLEY | | 1 |
| 544 03 87-01 | DRIVER | | 1 |
| 544 03 88-01 | SPRING | | 1 |
| 544 07 11-02 | STARTER ASSY | | 1 |
| 731 71 16-51 | HEXAGON NUT FLANGE | | 1 |
| 735 31 08-20 | E-CLIP | | 1 |

K *compl 537 06 86-02

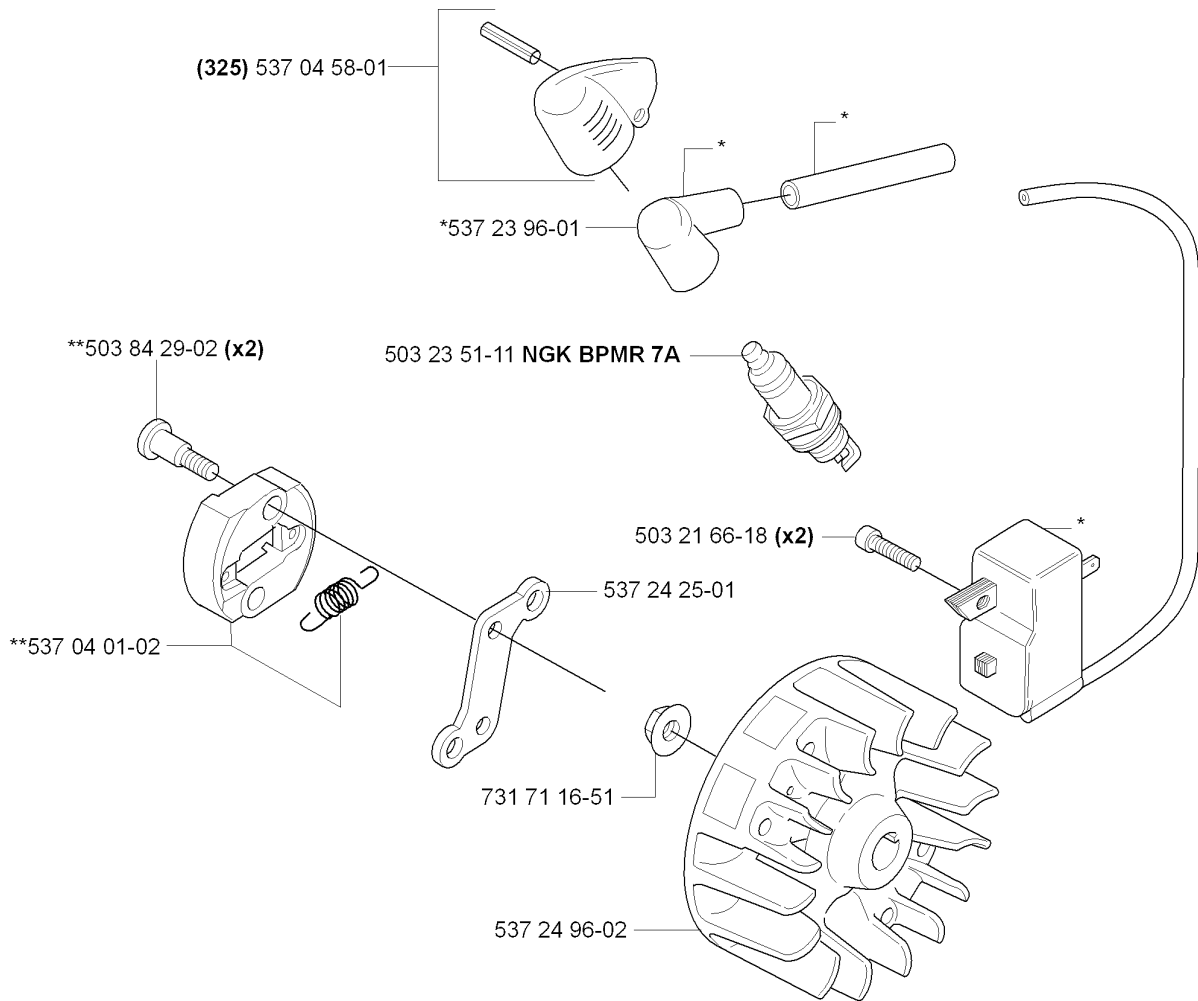


FUEL TANK

323 HE3, 20090900001-Current

| Part No | Description | Remark | QTY KIT |
|--------------|-------------|--------|---------|
| 503 44 32-01 | FUEL FILTER | | 1 |
| 503 73 58-01 | BUSHING | | 2 |
| 503 91 10-01 | SUSPENSION | | 4 |
| 503 91 18-02 | TANK CAP | | 1 |
| 503 93 66-01 | PURGE | | 1 |
| 537 04 24-01 | FUEL HOSE | | 1 |
| 537 04 24-01 | FUEL HOSE | | 1 |
| 537 06 86-02 | FUEL TANK | | 1 |
| 537 18 49-01 | O-RING | | 1 |
| 537 18 49-01 | O-RING | | 1 |
| 544 32 50-01 | FUEL HOSE | | 1 |

L * compl 537 41 88-01
** compl 544 08 32-01

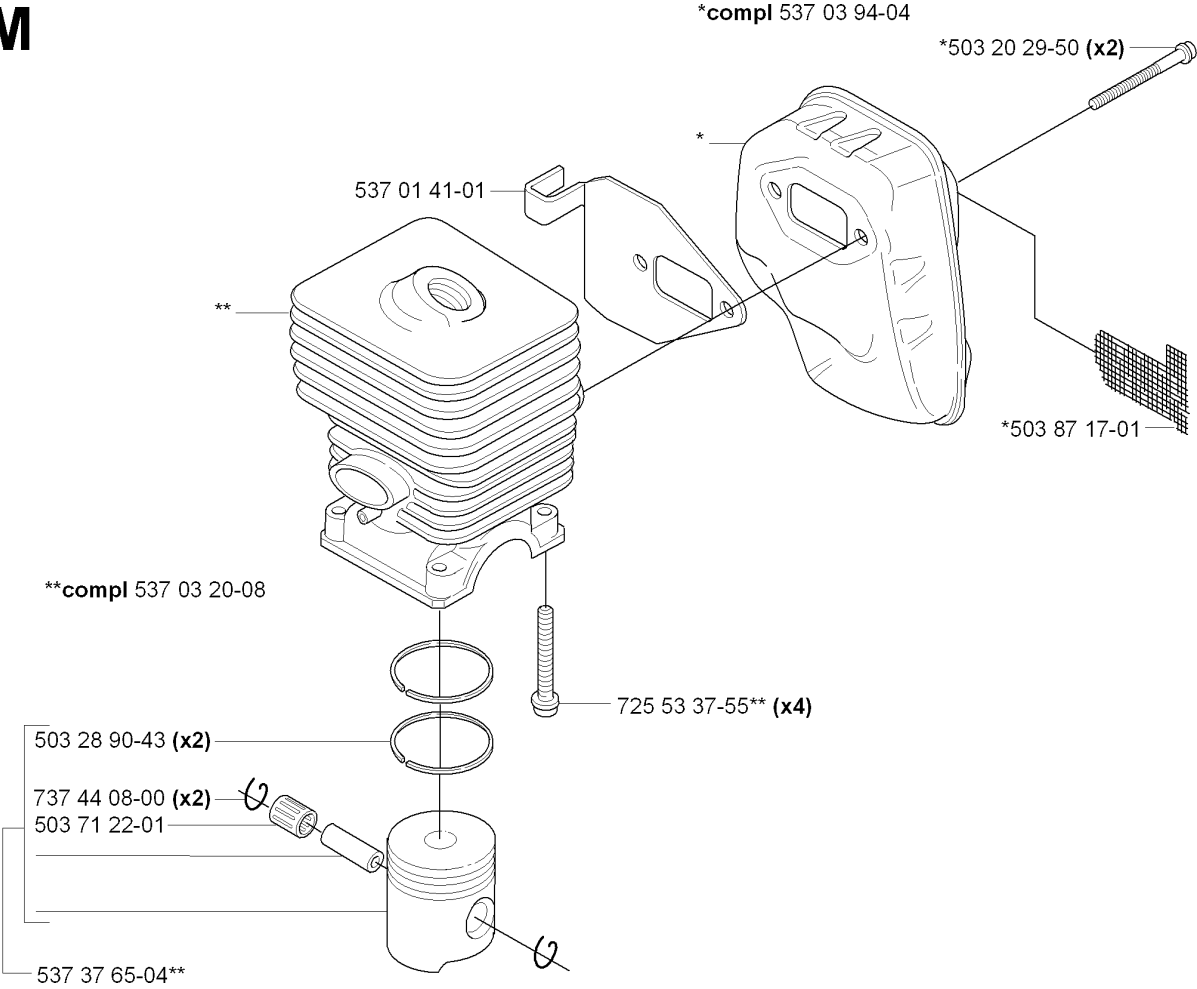


IGNITION SYSTEM

323 HE3, 20090900001-Current

| Part No | Description | Remark | QTY KIT |
|--------------|--------------------|-------------|---------|
| 503 21 66-18 | SCREW IH SCT | | 2 |
| 503 23 51-11 | SPARK PLUG | NGK BPMR 7A | 1 |
| 503 84 29-02 | SCREW | | 2 |
| 537 04 01-02 | CLUTCH ASSY | | 1 |
| 537 04 58-01 | COVER | | 1 |
| 537 23 96-01 | SPARK PLUG CAP | | 1 |
| 537 24 25-01 | CLUTCH HUB | | 1 |
| 537 24 96-02 | FLYWHEEL | | 1 |
| 537 41 88-01 | IGNITION MODULE | | 1 |
| 544 08 32-01 | CLUTCH ASSY | | 1 |
| 731 71 16-51 | HEXAGON NUT FLANGE | | 1 |

M

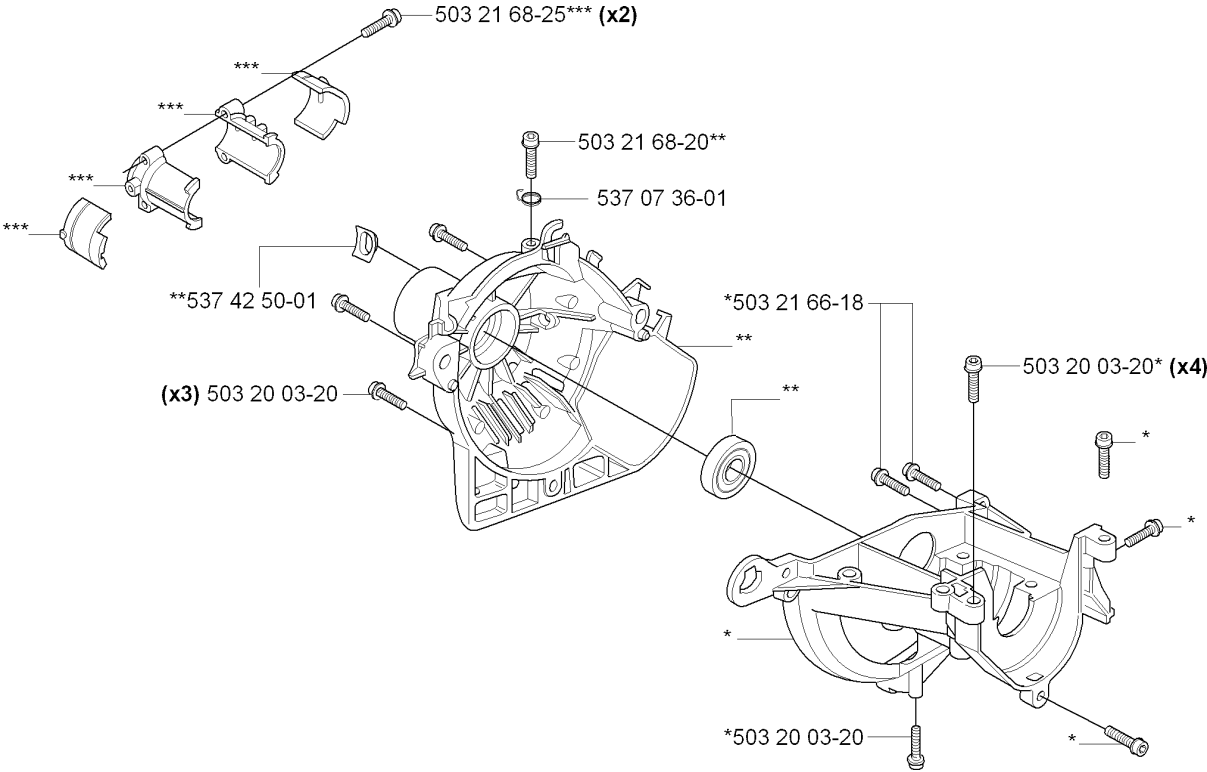


CYLINDER, PISTON & MUFFLER

323 HE3, 20090900001-Current

| Part No | Description | Remark | QTY KIT |
|--------------|-----------------------|--------|---------|
| 503 20 29-50 | SCREW IHSCFM | | 2 |
| 503 28 90-43 | PISTON RING | | 2 |
| 503 71 22-01 | BEARING | | 1 |
| 503 87 17-01 | SPARK ARRESTER SCREEN | | 1 |
| 537 01 41-01 | GASKET | | 1 |
| 537 03 20-08 | CYLINDER | | 1 |
| 537 03 94-04 | MUFFLER ASSY | | 1 |
| 537 37 65-04 | PISTON | | 1 |
| 725 53 37-55 | SCREW IHSCM | | 4 |
| 737 44 08-00 | CIRCLIP | | 2 |

N *compl 537 04 11-03
**compl 537 04 12-05
***compl 537 30 96-01

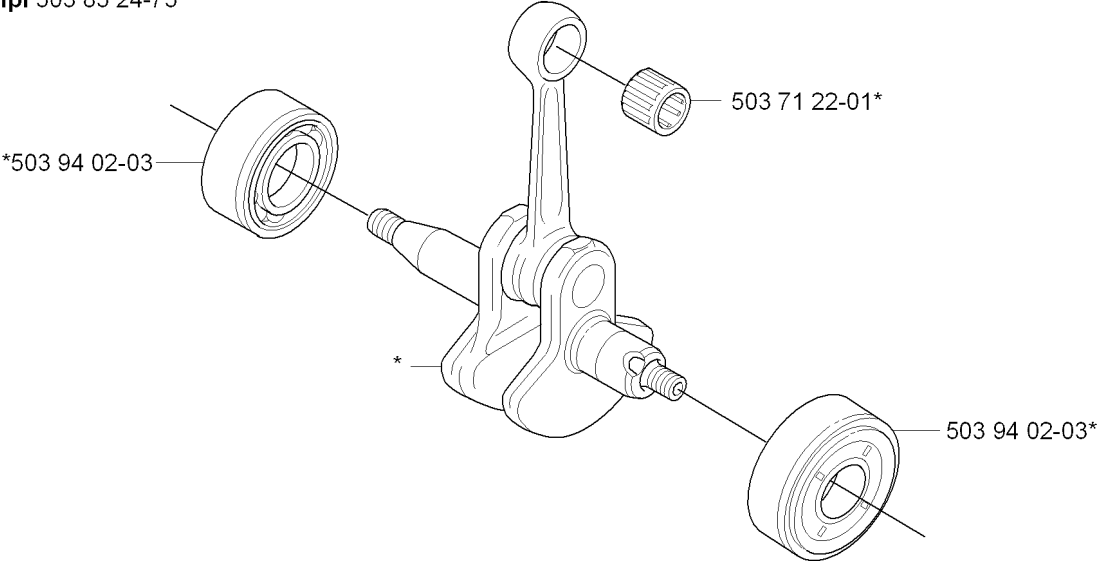


CRANKCASE & CLUTCHDRUM

323 HE3, 20090900001-Current

| Part No | Description | Remark | QTY KIT |
|--------------|------------------|--------|---------|
| 503 20 03-20 | SCREW IHSCFM | | 3 |
| 503 20 03-20 | SCREW IHSCFM | | 4 |
| 503 20 03-20 | SCREW IHSCFM | | 1 |
| 503 21 66-18 | SCREW IH SCT | | 1 |
| 503 21 68-20 | SCREW IHSCFT | | 1 |
| 503 21 68-25 | SCREW IHSCFT | | 2 |
| 537 04 11-03 | CRANKCASE | | 1 |
| 537 04 12-05 | CLUTCH COVER | | 1 |
| 537 07 36-01 | SPRING | | 1 |
| 537 30 96-01 | SLEEVE | | 1 |
| 537 42 50-01 | PROTECTIVE PLATE | | 1 |

P *compl 503 85 24-75



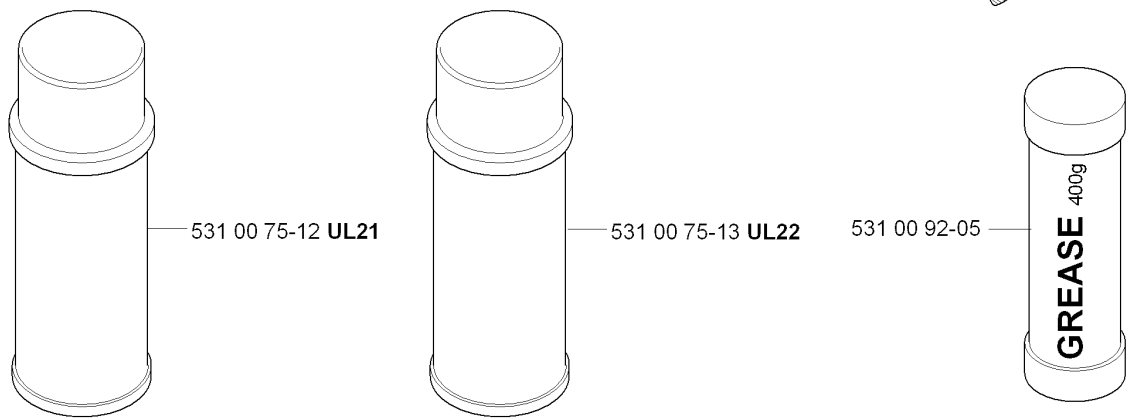
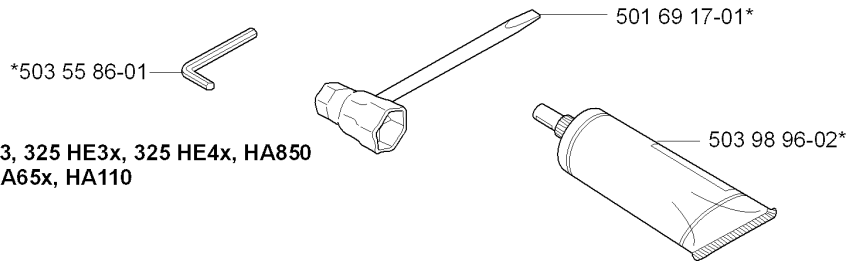
CRANKSHAFT

323 HE3, 20090900001-Current

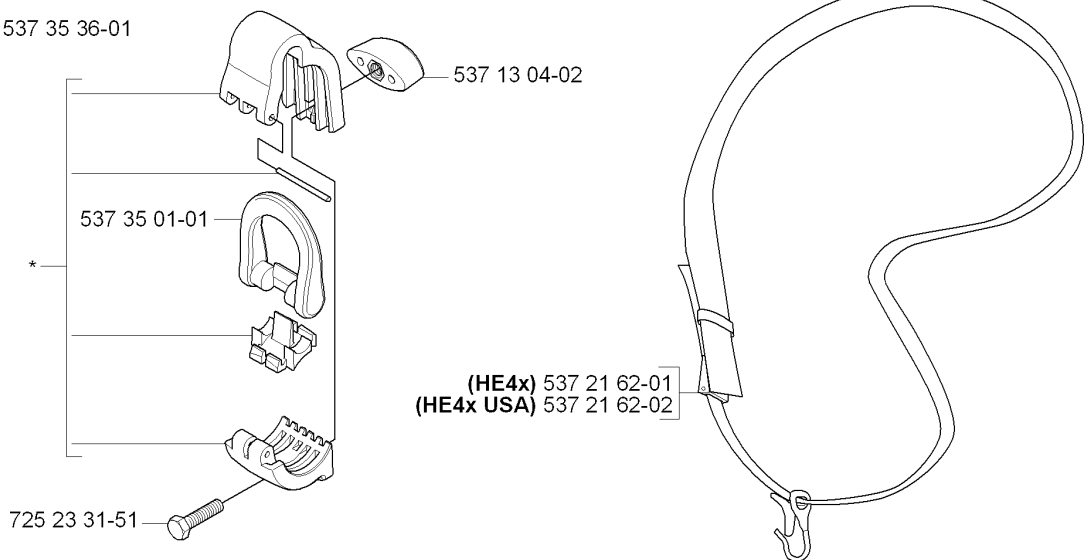
| Part No | Description | Remark | QTY KIT |
|--------------|-----------------|--------|---------|
| 503 71 22-01 | BEARING | | 1 |
| 503 85 24-75 | CRANKSHAFT ASSY | | 1 |
| 503 94 02-03 | BEARING CAGE | | 1 |
| 503 94 02-03 | BEARING CAGE | | 1 |

Q Accessories
 Zubehöre
 Accessoires
 Acessorios
 Tillbehör

*compl 544 04 42-01 323 HE3, 325 HE3x, 325 HE4x, HA850
 *compl 544 04 42-02 325 HDA65x, HA110



compl 537 35 36-01



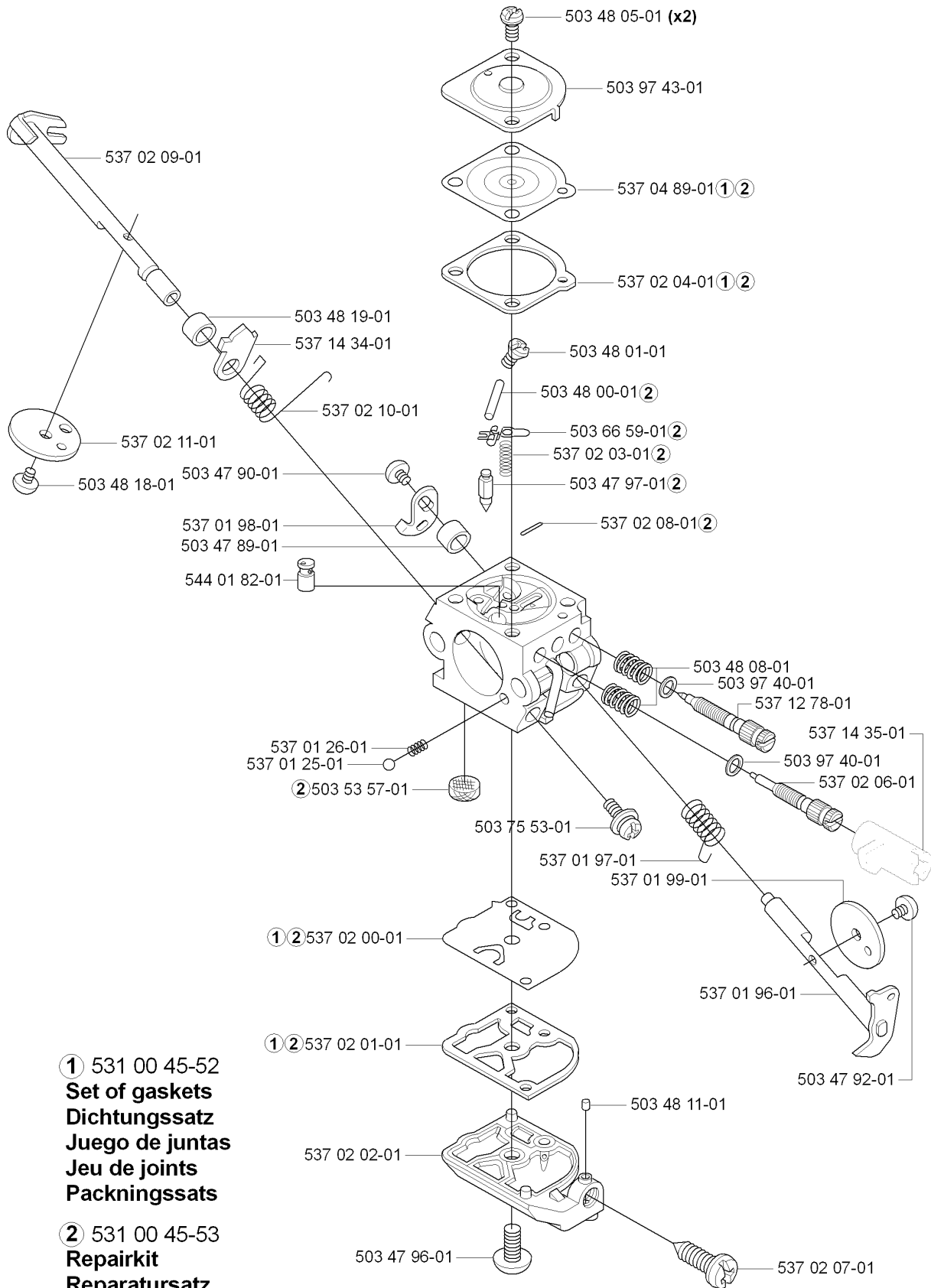
ACCESSORIES

323 HE3, 20090900001-Current

| Part No | Description | Remark | QTY KIT |
|--------------|--------------------|----------|---------|
| 501 69 17-01 | COMBINATION WRENCH | | 1 |
| 503 55 86-01 | SPANNER | | 1 |
| 503 98 96-02 | GREASE | | 1 |
| 531 00 75-12 | GREASE | UL21 | 1 |
| 531 00 75-13 | GREASE | UL22 | 1 |
| 531 00 92-05 | GREASE | | 1 |
| 537 13 04-02 | KNOB | | 1 |
| 537 21 62-01 | HARNESS | HE4x | 1 |
| 537 21 62-02 | HARNESS | HE4x USA | 1 |
| 537 35 01-01 | LOOP | | 1 |
| 537 35 36-01 | LOOP | | 1 |
| 544 04 42-01 | ACCESSORY BAG | | 1 |
| 544 04 42-02 | ACCESSORY BAG | | 1 |
| 725 23 31-51 | SCREW | | 1 |

R compl 503 28 34-03 ZAMA C1Q - EL 26A

ZAMA C1Q - EL 26A



① 531 00 45-52
Set of gaskets
Dichtungssatz
Juego de juntas
Jeu de joints
Packningssats

② 531 00 45-53
Repairkit
Reparaturatz
Juego de reparación
Kit de réparation
Reparationssats

CARBURETOR DETAILS

323 HE3, 20090900001-Current

| Part No | Description | Remark | QTY KIT |
|--------------|---------------------|-------------------|---------|
| 503 28 34-03 | CARBURETTOR | ZAMA C1Q - EL 26A | 1 |
| 503 47 89-01 | COLLAR | | 1 |
| 503 47 90-01 | SCREW | | 1 |
| 503 47 92-01 | SCREW | | 1 |
| 503 47 96-01 | SCREW | | 1 |
| 503 47 97-01 | VALVE | | 1 |
| 503 48 00-01 | PIN RETAINING SCREW | | 1 |
| 503 48 01-01 | SCREW | | 1 |
| 503 48 05-01 | SCREW | | 2 |
| 503 48 08-01 | SPRING | | 1 |
| 503 48 11-01 | PIECE | | 1 |
| 503 48 18-01 | SCREW | | 1 |
| 503 48 19-01 | COLLAR | | 1 |
| 503 53 57-01 | STRAINER | | 1 |
| 503 66 59-01 | LEVER | | 1 |
| 503 75 53-01 | SCREW | | 1 |
| 503 97 40-01 | WASHER | | 1 |
| 503 97 40-01 | WASHER | | 1 |
| 503 97 43-01 | COVER | | 1 |
| 537 01 25-01 | BALL | | 1 |
| 537 01 26-01 | SPRING | | 1 |
| 537 01 96-01 | SHAFT ASSY | | 1 |
| 537 01 97-01 | SPRING | | 1 |
| 537 01 98-01 | LEVER | | 1 |
| 537 01 99-01 | VALVE | | 1 |
| 537 02 00-01 | DIAPHRAGM PUMP | | 1 |
| 537 02 01-01 | GASKET | | 1 |
| 537 02 02-01 | COVER | | 1 |
| 537 02 03-01 | SPRING | | 1 |
| 537 02 04-01 | GASKET | | 1 |
| 537 02 06-01 | SCREW | | 1 |
| 537 02 07-01 | SCREW | | 1 |
| 537 02 08-01 | PLUG | | 1 |
| 537 02 09-01 | SHAFT ASSY | | 1 |
| 537 02 10-01 | SPRING | | 1 |
| 537 02 11-01 | VALVE | | 1 |
| 537 04 89-01 | DIAPHRAGM | | 1 |
| 537 12 78-01 | SCREW | | 1 |
| 537 14 34-01 | LEVER | | 1 |
| 537 14 35-01 | RETAINER | | 1 |
| 544 01 82-01 | MAIN NOZZLE | | 1 |