

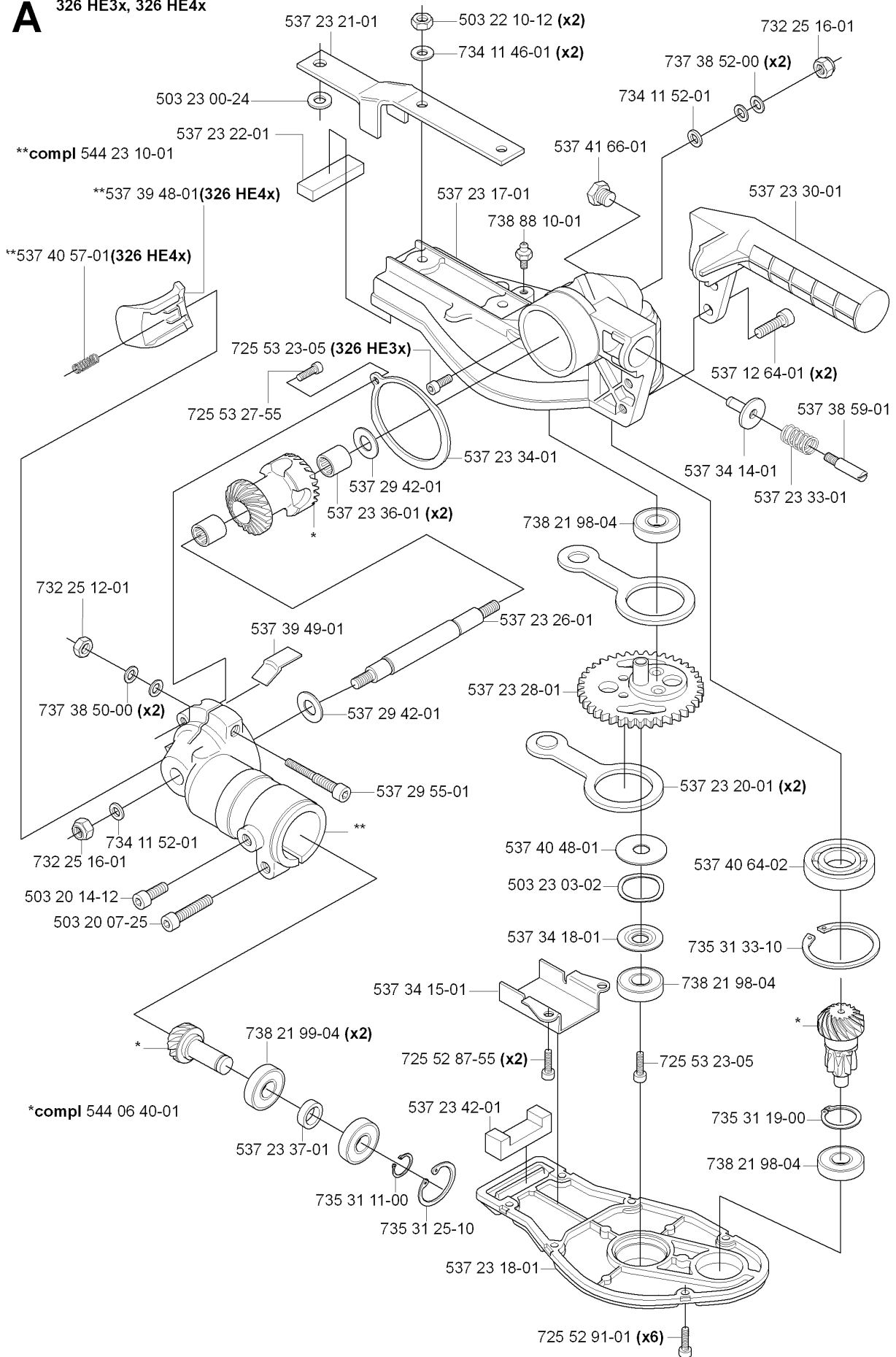


SPARE PARTS LIST

HEDGE TRIMMERS/POLE HEDGE
TRIMMERS

326 HE4 X-SERIES,
20090900001-Current

A 326 HE3x, 326 HE4x

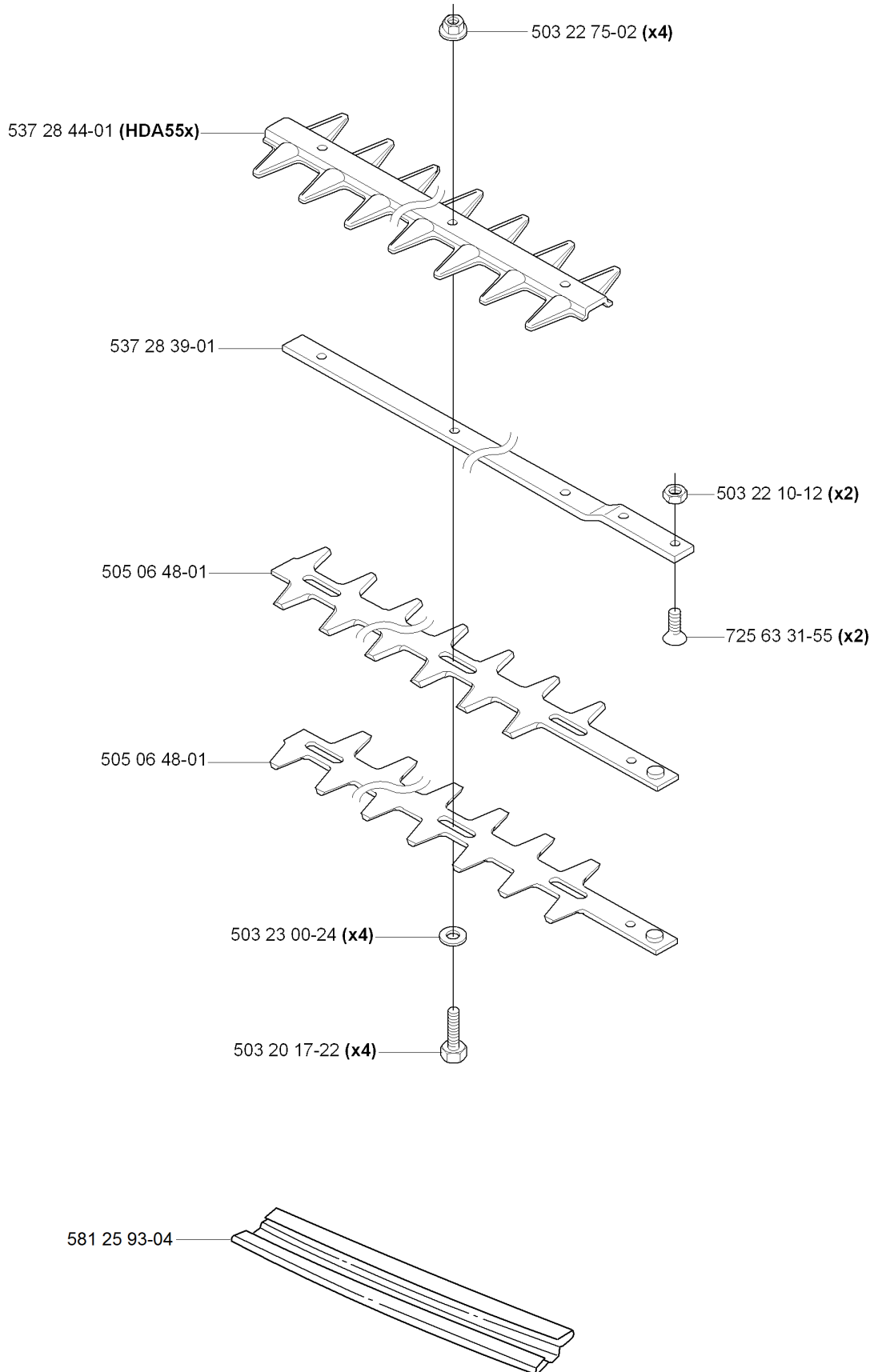


GEAR HOUSING

326 HE4 X-SERIES, 20090900001-Current

Part No	Description	Remark	QTY KIT
503 20 07-25	SCREW IHSCFM		1
503 20 14-12	SCREW IHSCFMO		1
503 22 10-12	HEXAGON NUT		2
503 23 00-24	WASHER		1
503 23 03-02	WASHER		1
537 12 64-01	SCREW		2
537 23 17-01	GEAR HOUSING		1
537 23 18-01	HUB CAP		1
537 23 20-01	CONNECTING ROD		2
537 23 21-01	BASEPLATE		1
537 23 22-01	SEALING		1
537 23 26-01	SHAFT		1
537 23 28-01	GEAR WHEEL		1
537 23 30-01	HANDLE		1
537 23 33-01	SPRING		1
537 23 34-01	STOP		1
537 23 36-01	NEEDLE BEARING		2
537 23 37-01	SPACER		1
537 23 42-01	SEALING		1
537 29 42-01	WASHER		1
537 29 42-01	WASHER		1
537 29 55-01	SCREW		1
537 34 14-01	STOP		1
537 34 15-01	GUIDE PLATE		1
537 34 18-01	WASHER		1
537 38 59-01	PEN		1
537 39 48-01	BUTTON		1
537 39 49-01	SEALING		1
537 40 48-01	WASHER		1
537 40 57-01	SPRING		1
537 40 64-02	BALL BEARING		1
537 41 66-01	PLUG		1
544 06 40-01	GEAR WHEEL		1
544 23 10-01	HOUSING ASSY		1
725 52 87-55	SCREW IHSCM		2
725 52 91-01	SCREW IHSCM		6
725 53 23-05	SCREW IHSCM		1
725 53 23-05	SCREW IHSCM		1
725 53 27-55	SCREW IHSCM		1
732 25 12-01	HEXAGON LOCKING NUT		1
732 25 16-01	HEXAGON LOCKING NUT		1
732 25 16-01	HEXAGON LOCKING NUT		1
734 11 46-01	WASHER		2
734 11 52-01	WASHER		1
734 11 52-01	WASHER		1
735 31 11-00	CIRCLIP		1
735 31 19-00	CIRCLIP		1
735 31 25-10	CIRCLIP		1
735 31 33-10	CIRCLIP		1
737 38 50-00	DISC SPRING		2
737 38 52-00	DISC SPRING		2
738 21 98-04	BALL BEARING		1
738 21 98-04	BALL BEARING		1
738 21 98-04	BALL BEARING		1
738 21 99-04	BALL BEARING		2
738 88 10-01	LUBRICATION NIPPLE		1

B compl 505 06 57-01 326 HDA55x
compl 505 06 55-02 326 HE3x, 326 HE4x, HA110, HA850

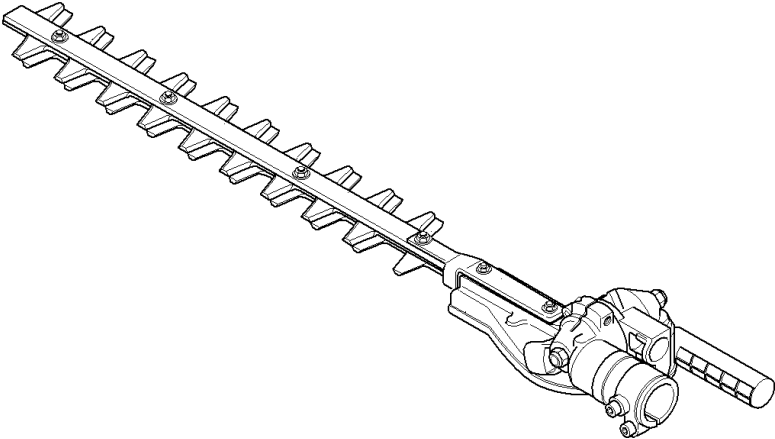


CUTTING EQUIPMENT

326 HE4 X-SERIES, 20090900001-Current

Part No	Description	Remark	QTY KIT
503 20 17-22	SCREW EHHM		4
503 22 10-12	HEXAGON NUT		2
503 22 75-02	NUT		4
503 23 00-24	WASHER		4
505 06 48-01	BLADE		1
505 06 48-01	BLADE		1
505 06 55-02	CUTTING DECK		1
505 06 57-01	CUTTING DECK		1
537 28 39-01	BEAM		1
537 28 44-01	PROTECTIVE PLATE	HDA55x	1
581 25 93-04	TRANSPORT GUARD		1
725 63 31-55	SCREW IHCSFM		2

C 326 HE4x
compl 521 91 93-03

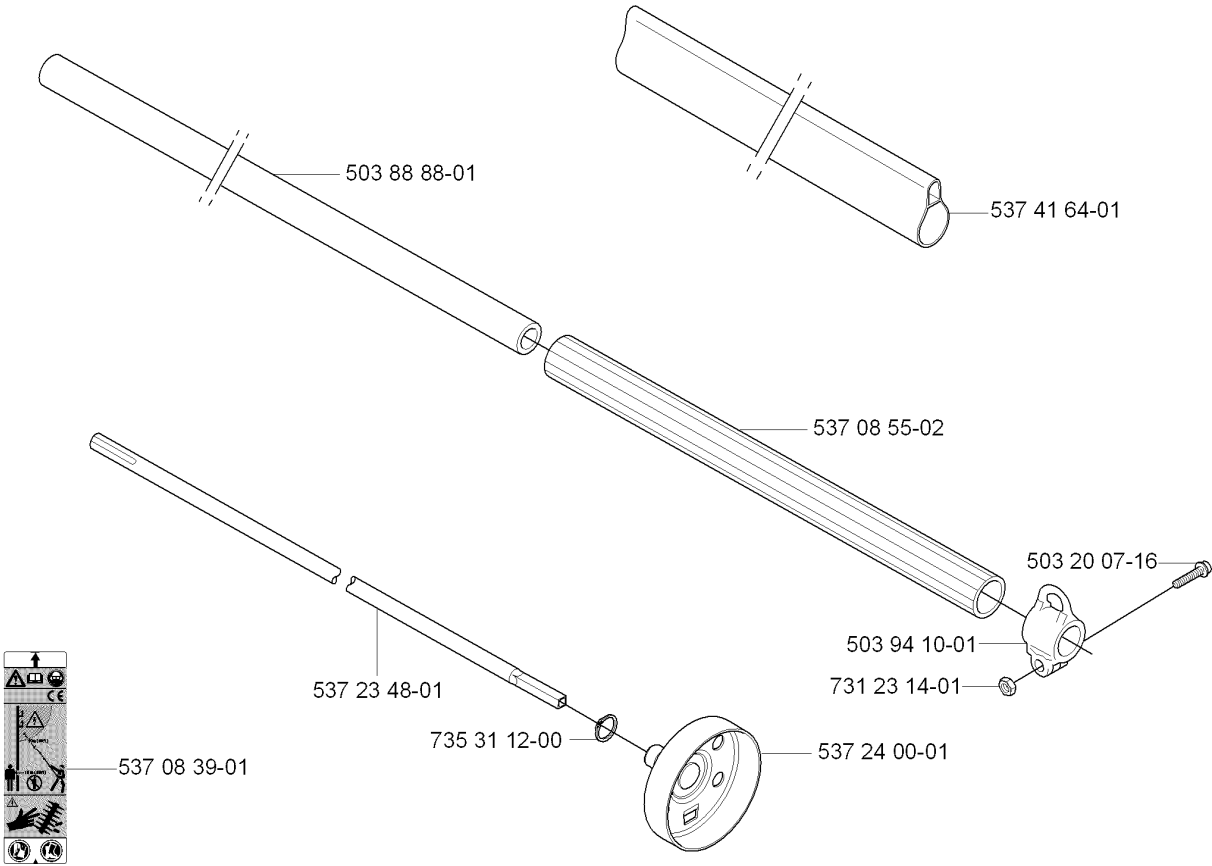


CUTTING EQUIPMENT

326 HE4 X-SERIES, 20090900001-Current

Part No	Description	Remark	QTY KIT
521 91 93-03	CUTTING DECK KIT		1

D 326 HE4x



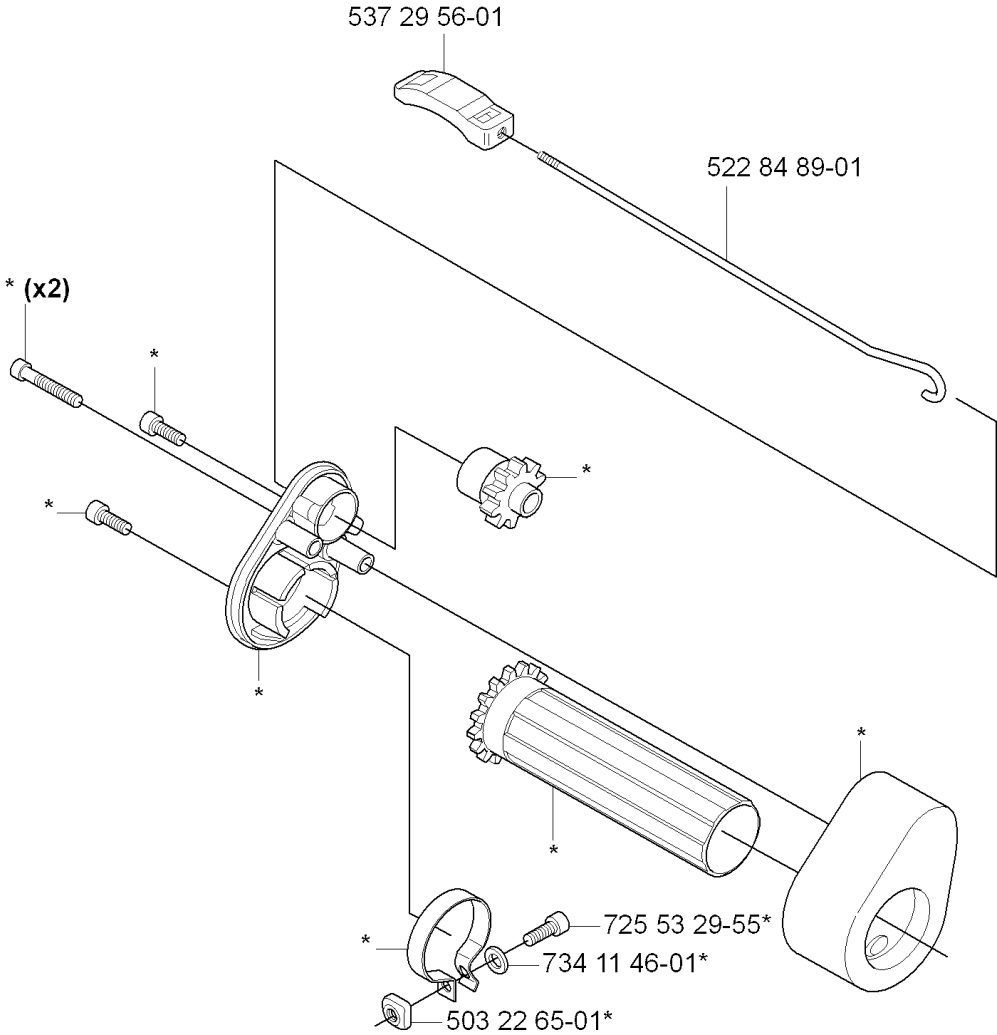
HANDLE & CONTROLS

326 HE4 X-SERIES, 20090900001-Current

Part No	Description	Remark	QTY KIT
503 20 07-16	SCREW IHSCFM		1
503 88 88-01	TUBE		1
503 94 10-01	HOOK		1
537 08 39-01	LABEL		1
537 08 55-02	HANDLE		1
537 23 48-01	DRIVE SHAFT		1
537 24 00-01	CLUTCH DRUM ASSY		1
537 41 64-01	COVER		1
731 23 14-01	HEXAGON NUT		1
735 31 12-00	CIRCLIP		1

E 326 HE3x, 326 HE4x

*compl 537 29 50-02

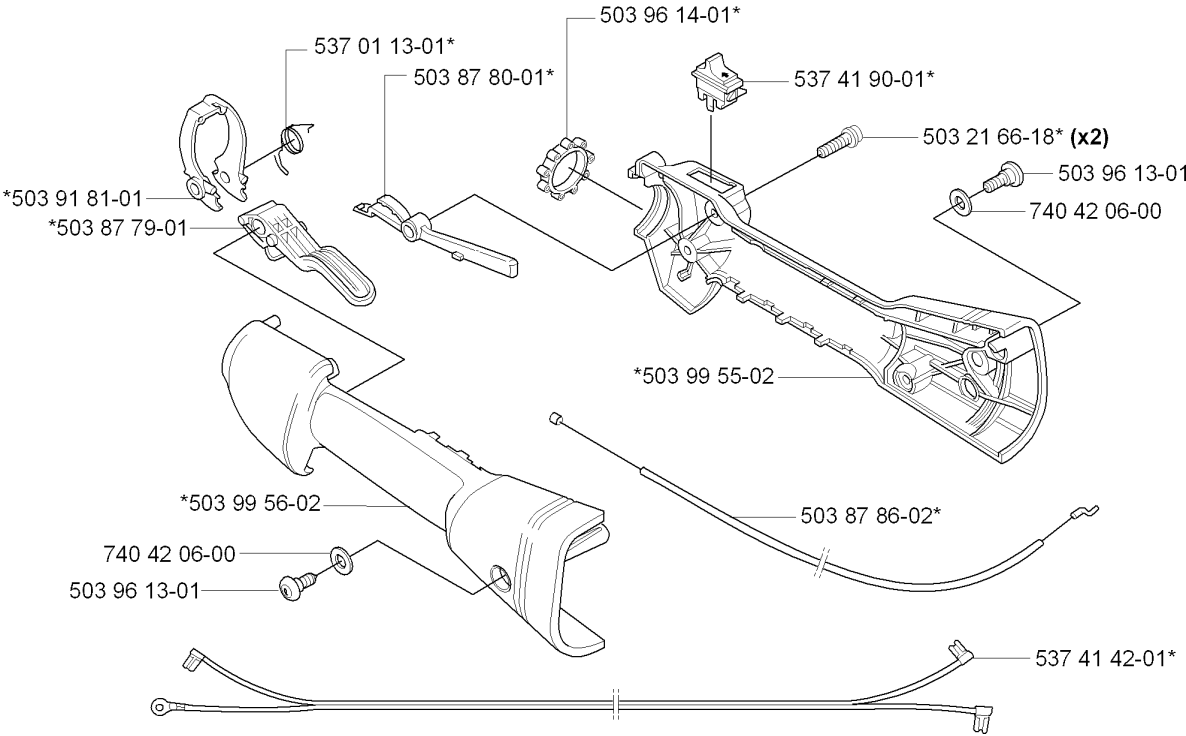


CONTROLS

326 HE4 X-SERIES, 20090900001-Current

Part No	Description	Remark	QTY KIT
503 22 65-01	SQUARE NUT		2
537 29 50-02	HANDLE		1
537 29 56-01	CLAMP		1
725 53 29-55	SCREW IHSCM		2
734 11 46-01	WASHER		2

F *compl 537 44 38-02

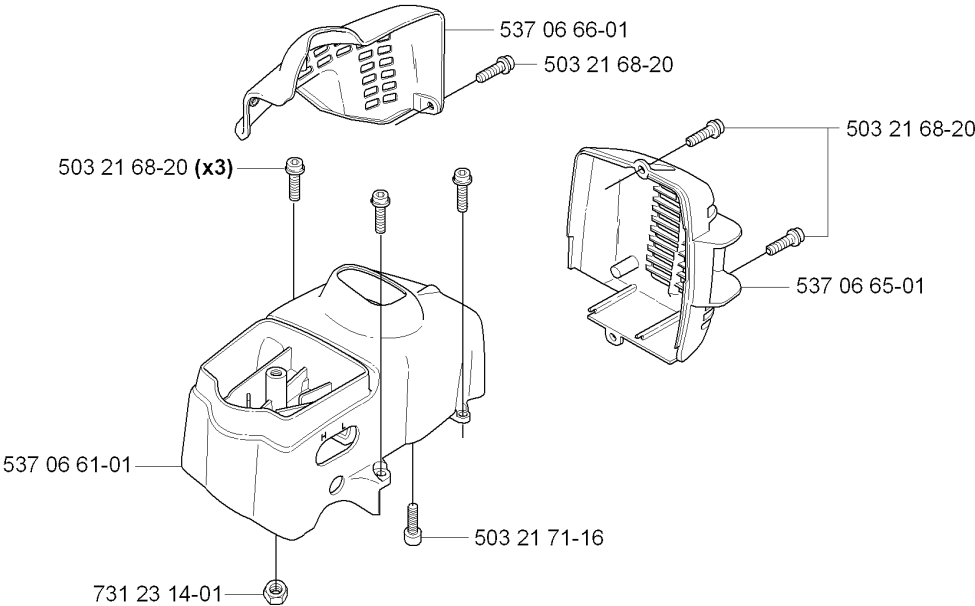


HANDLE & CONTROLS

326 HE4 X-SERIES, 20090900001-Current

Part No	Description	Remark	QTY KIT
503 21 66-18	SCREW IH SCT		2
503 87 79-01	THROTTLE TRIGGER		1
503 87 80-01	THROTTLE LOCKOUT		1
503 87 86-02	THROTTLE WIRE ASSY		1
503 91 81-01	THROTTLE LEVER		1
503 96 13-01	SCREW		1
503 96 13-01	SCREW		1
503 96 14-01	ABSORBER		1
503 99 55-02	HANDLE HALF		1
503 99 56-02	HANDLE HALF		1
537 01 13-01	RECOIL SPRING		1
537 41 42-01	SHORT CIRCUIT CABLE		1
537 41 90-01	SWITCH		1
537 44 38-02	HANDLE		1
740 42 06-00	O-RING		1
740 42 06-00	O-RING		1

G

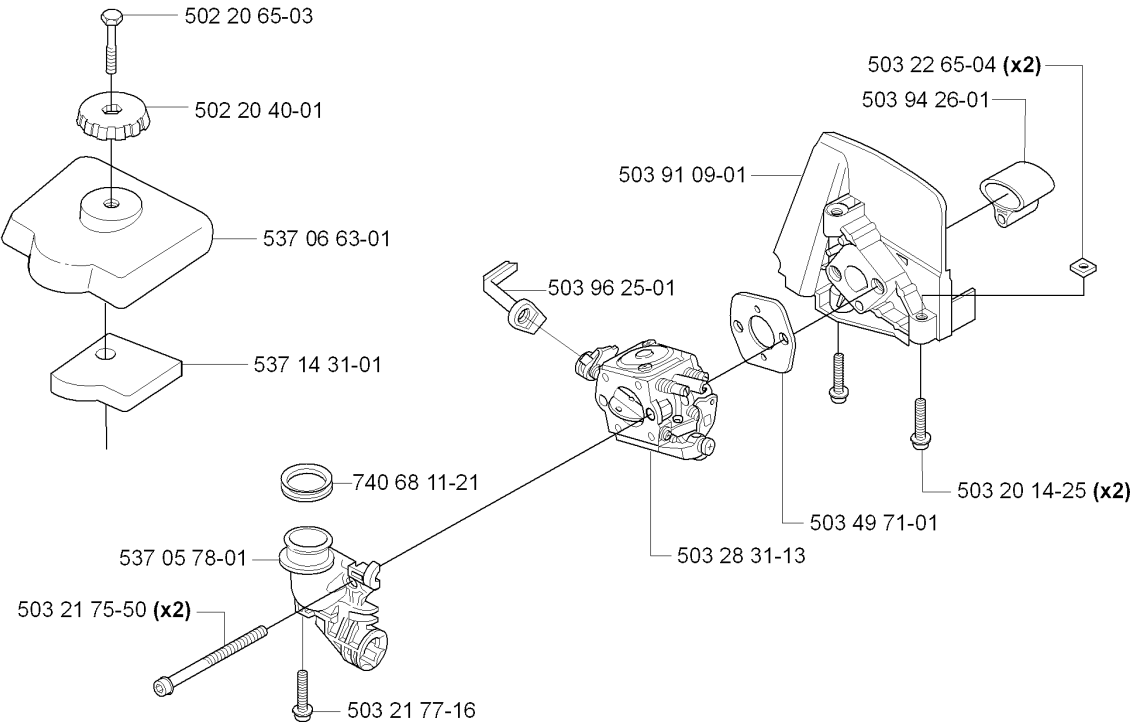


CYLINDER COVER

326 HE4 X-SERIES, 20090900001-Current

Part No	Description	Remark	QTY KIT
503 21 68-20	SCREW IHSCFT		3
503 21 68-20	SCREW IHSCFT		1
503 21 68-20	SCREW IHSCFT		1
503 21 71-16	SCREW IHSCFT		1
537 06 61-01	CYLINDER COVER		1
537 06 65-01	HEAT PROTECTOR		1
537 06 66-01	ARM PROTECTION		1
731 23 14-01	HEXAGON NUT		1

H

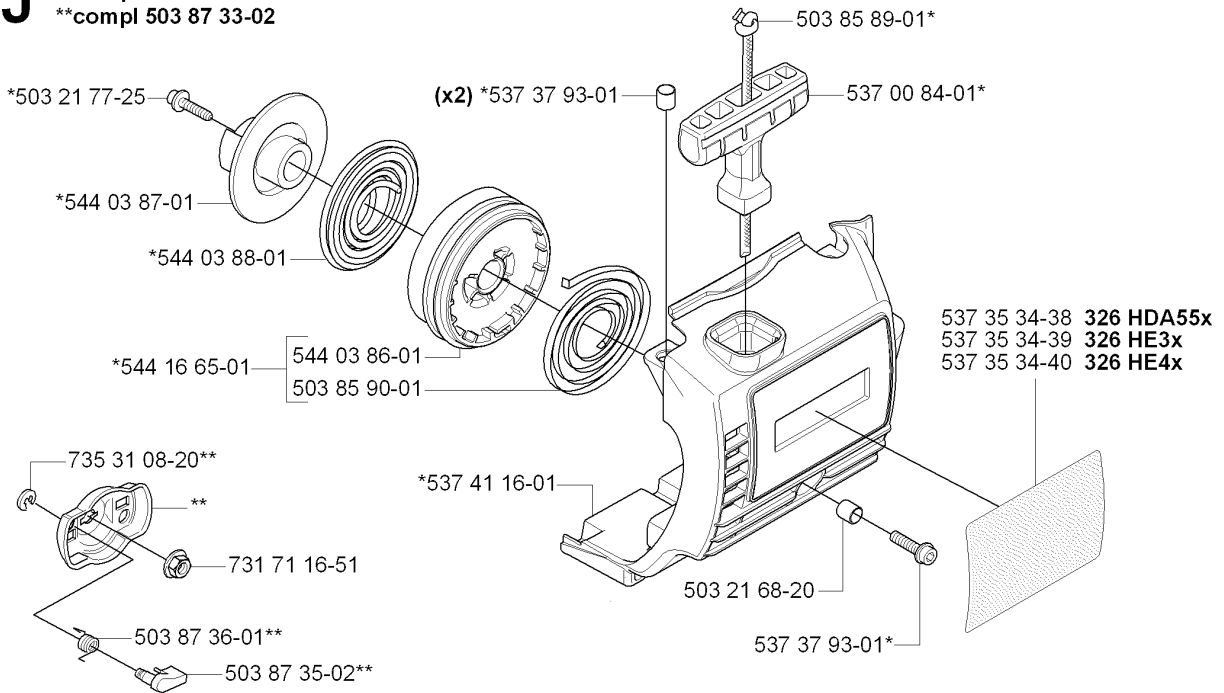





CARBURETOR & AIR FILTER

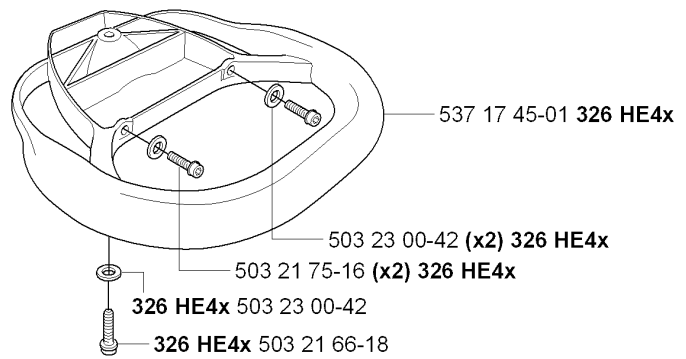
326 HE4 X-SERIES, 20090900001-Current

Part No	Description	Remark	QTY KIT
502 20 40-01	KNOB		1
502 20 65-03	SCREW EHHM		1
503 20 14-25	SCREW IHSCFMO		2
503 21 75-50	SCREW IHSCFT		2
503 21 77-16	SCREW IHSCFT		1
503 22 65-04	SQUARE NUT		2
503 28 31-13	CARBURETTOR		1
503 49 71-01	GASKET		1
503 91 09-01	INSULATION WALL		1
503 94 26-01	INLET PIPE		1
503 96 25-01	CHOKE CONTROL		1
537 05 78-01	BRACKET		1
537 06 63-01	FILTER COVER		1
537 14 31-01	AIR FILTER ASSY		1
740 68 11-21	V-RING		1

J *compl 544 07 11-01
 **compl 503 87 33-02



- 
537 35 34-38 326 HDA55x
- 
537 35 34-39 326 HE3x
- 
537 35 34-40 326 HE4x

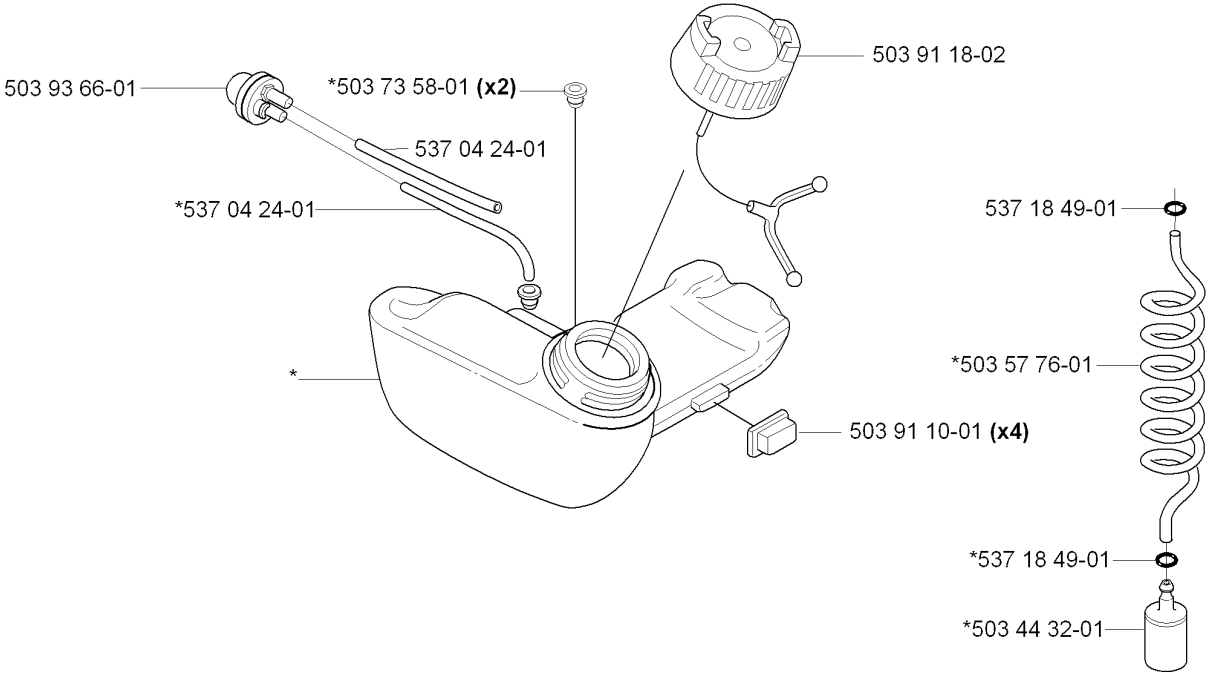


STARTER

326 HE4 X-SERIES, 20090900001-Current

Part No	Description	Remark	QTY KIT
503 21 66-18	SCREW IHSC T	326 HE4x	1
503 21 68-20	SCREW IHSCFT		1
503 21 75-16	SCREW IHSCFT	326 HE4x	2
503 21 77-25	SCREW IHSC T		1
503 23 00-42	WASHER	326 HE4x	2
503 23 00-42	WASHER	326 HE4x	1
503 85 89-01	STARTER ROPE		1
503 85 90-01	RECOIL SPRING		1
503 87 33-02	BRIDGE		1
503 87 35-02	STARTER PAWL		1
503 87 36-01	SPRING		1
537 00 84-01	STARTER HANDLE		1
537 17 45-01	HANDLE	326 HE4x	1
537 35 34-38	LABEL		1
537 35 34-38	LABEL	326 HDA55x	1
537 35 34-39	LABEL		1
537 35 34-39	LABEL	326 HE3x	1
537 35 34-40	LABEL	326 HE4x	1
537 35 34-40	LABEL		1
537 37 93-01	SPACING SLEEVE		2
537 37 93-01	SPACING SLEEVE		1
537 41 16-01	STARTER HOUSING		1
544 03 86-01	STARTER PULLEY		1
544 03 87-01	DRIVER		1
544 03 88-01	SPRING		1
544 07 11-01	STARTER ASSY		1
544 16 65-01	STARTER PULLEY ASSY		1
731 71 16-51	HEXAGON NUT FLANGE		1
735 31 08-20	E-CLIP		1

K *compl 537 06 86-02



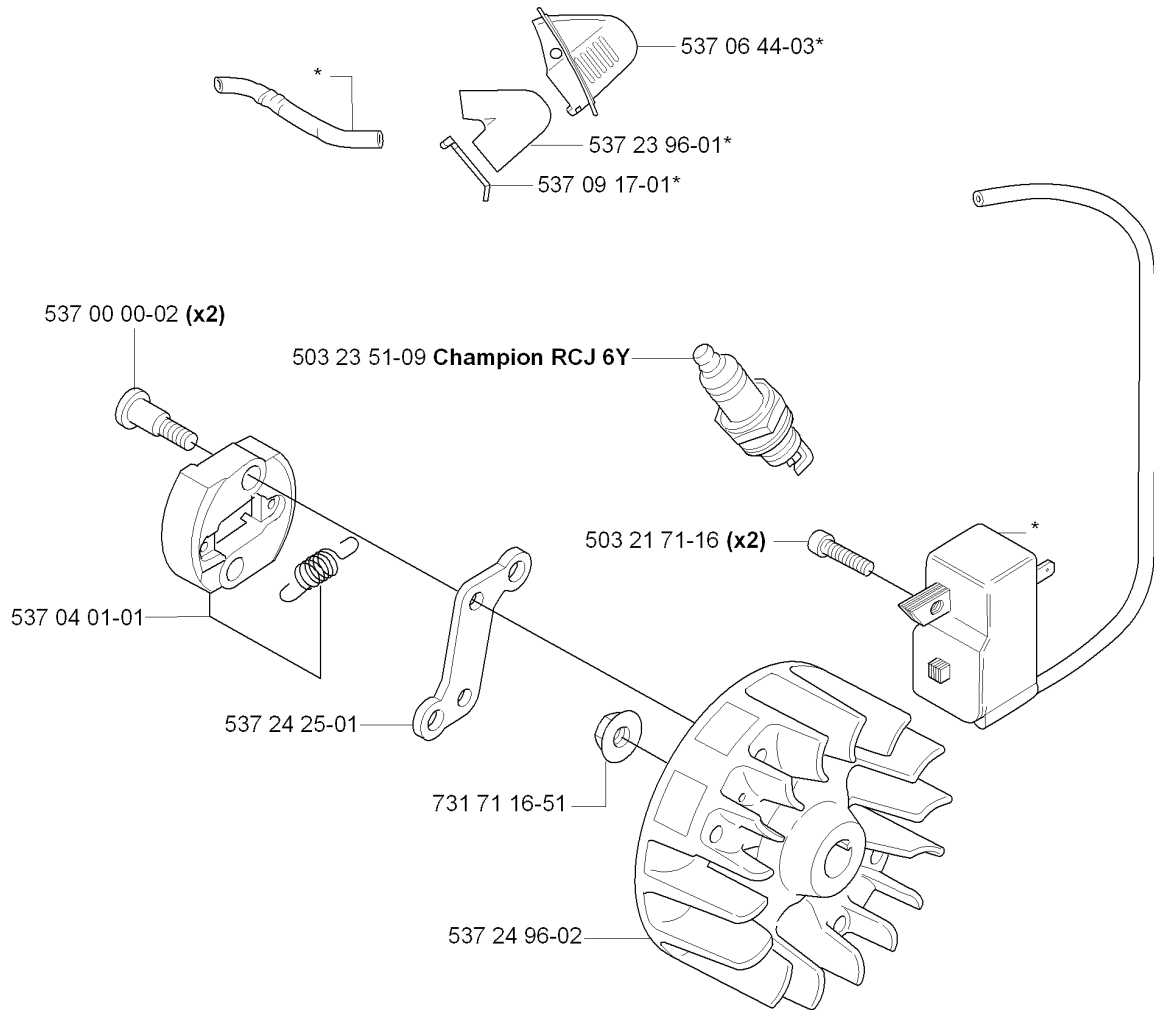
FUEL TANK

326 HE4 X-SERIES, 20090900001-Current

Part No	Description	Remark	QTY KIT
503 44 32-01	FUEL FILTER		1
503 57 76-01	FUEL HOSE		1
503 73 58-01	BUSHING		2
503 91 10-01	SUSPENSION		4
503 91 18-02	TANK CAP		1
503 93 66-01	PURGE		1
537 04 24-01	FUEL HOSE		1
537 04 24-01	FUEL HOSE		1
537 06 86-02	FUEL TANK		1
537 18 49-01	O-RING		1
537 18 49-01	O-RING		1



* compl 537 41 88-01

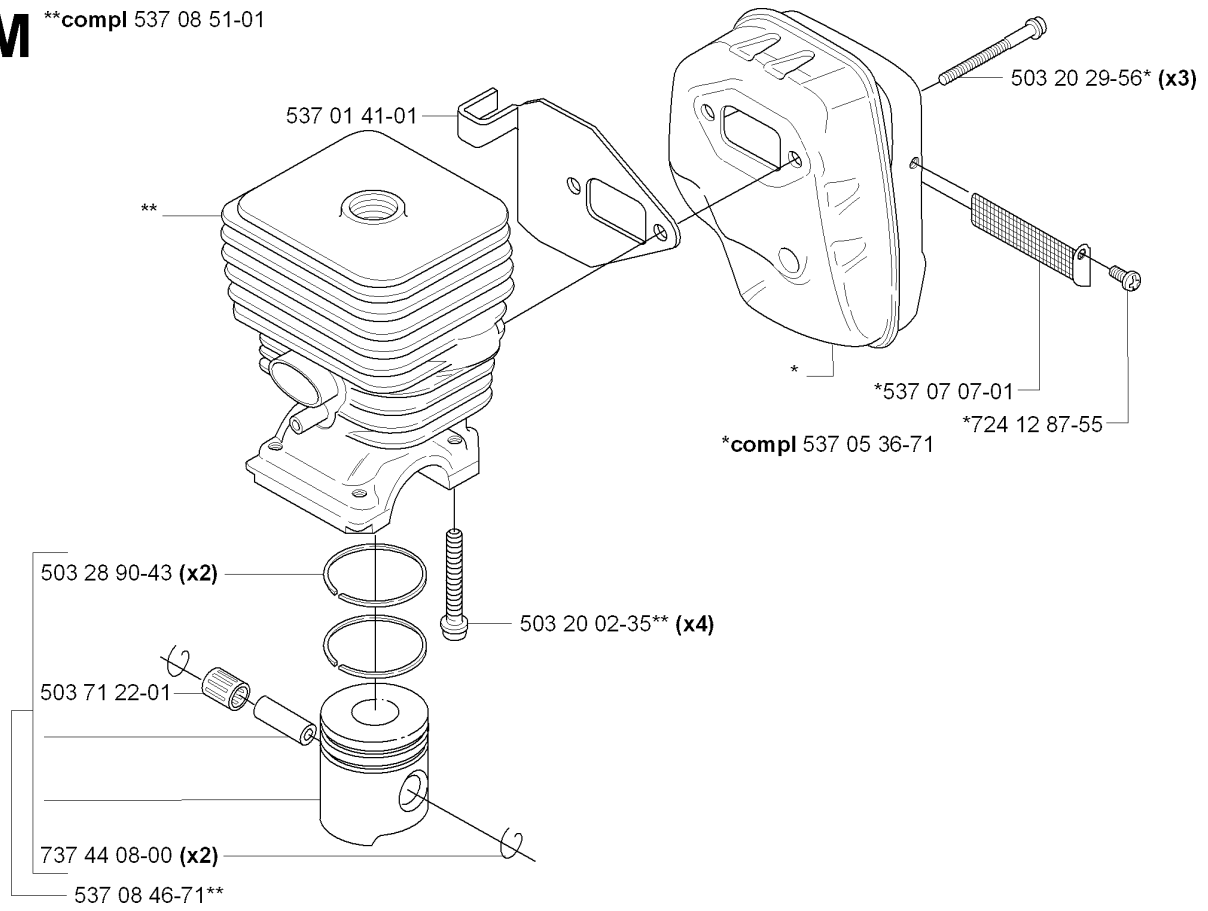


IGNITION SYSTEM

326 HE4 X-SERIES, 20090900001-Current

Part No	Description	Remark	QTY KIT
503 21 71-16	SCREW IHST		2
503 23 51-09	SPARK PLUG	Champion RCJ 6Y	1
537 00 00-02	SCREW		2
537 04 01-01	CLUTCH ASSY		1
537 06 44-03	COVER		1
537 09 17-01	SECURING PLATE		1
537 23 96-01	SPARK PLUG CAP		1
537 24 25-01	CLUTCH HUB		1
537 24 96-02	FLYWHEEL		1
537 41 88-01	IGNITION MODULE		1
731 71 16-51	HEXAGON NUT FLANGE		1

M **compl 537 08 51-01

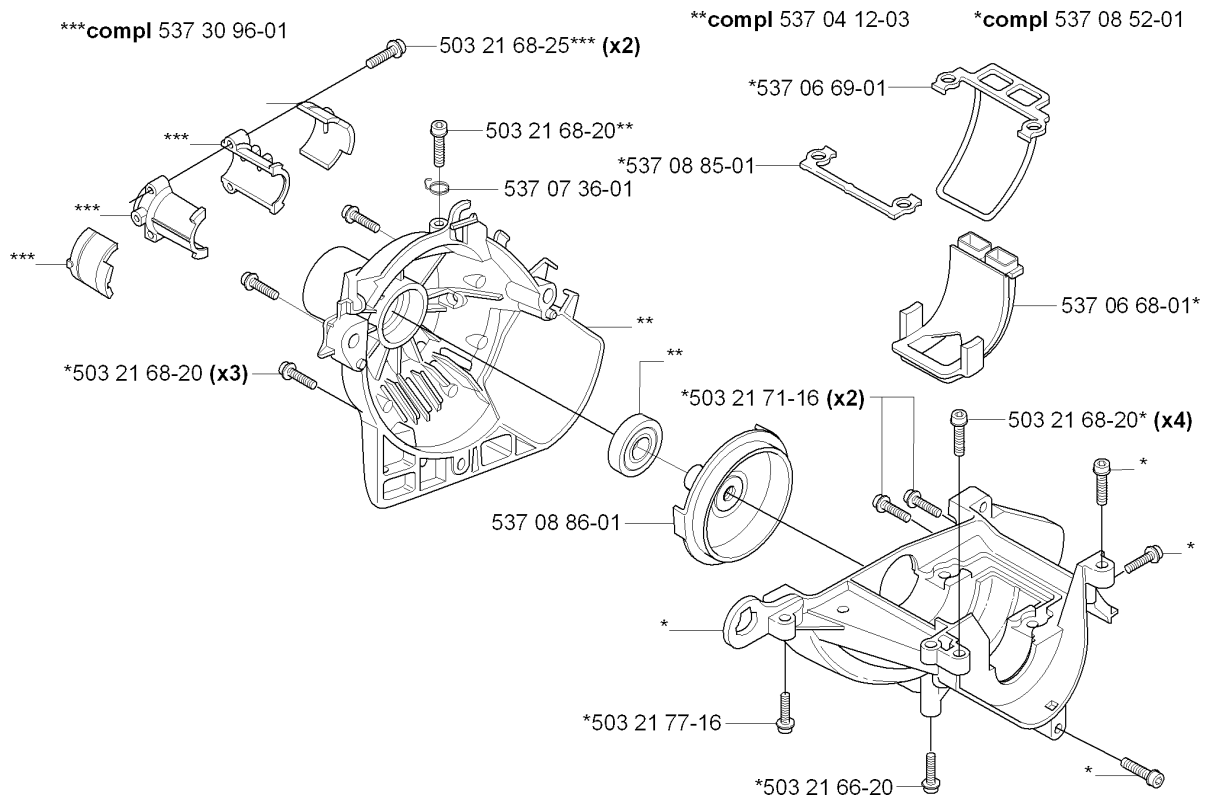


CYLINDER, PISTON & MUFFLER

326 HE4 X-SERIES, 20090900001-Current

Part No	Description	Remark	QTY KIT
503 20 02-35	SCREW IHSCFM		4
503 20 29-56	SCREW IHSCFM		3
503 28 90-43	PISTON RING		2
503 71 22-01	BEARING		1
537 01 41-01	GASKET		1
537 05 36-71	MUFFLER CAT		1
537 07 07-01	SPARK ARRESTER SCREEN		1
537 08 46-71	PISTON		1
537 08 51-01	PISTON		1
724 12 87-55	SCREW CRPANM		1
737 44 08-00	CIRCLIP		2

N

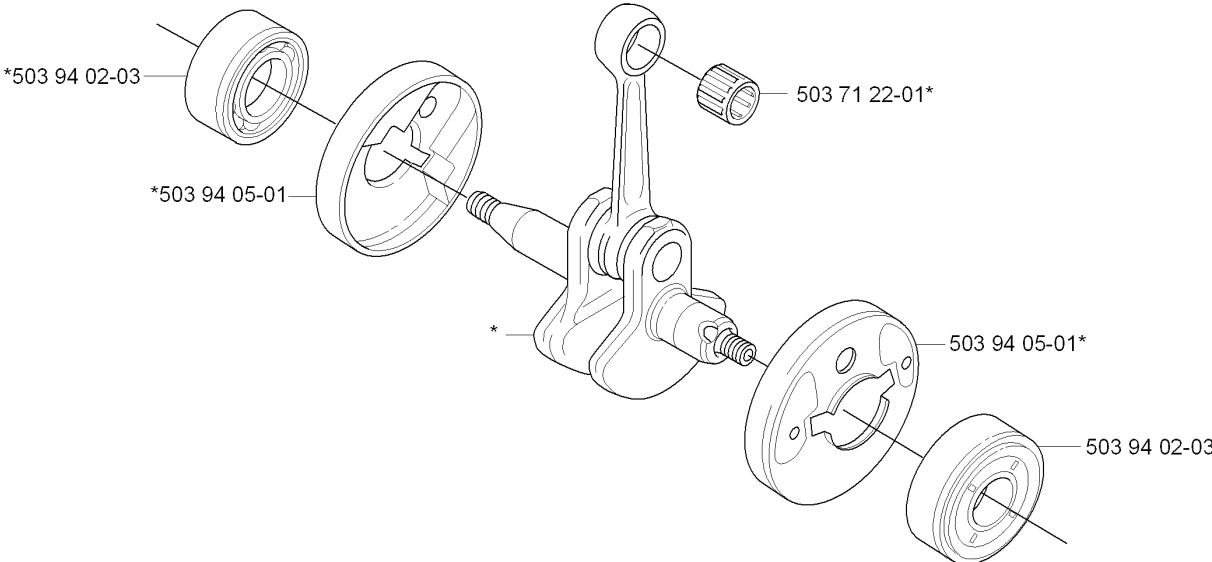


CRANKCASE & CLUTCHDRUM

326 HE4 X-SERIES, 20090900001-Current

Part No	Description	Remark	QTY KIT
503 21 66-20	SCREW IHSC T		1
503 21 68-20	SCREW IHSC FT		1
503 21 68-20	SCREW IHSC FT		4
503 21 68-20	SCREW IHSC FT		3
503 21 68-25	SCREW IHSC FT		2
503 21 71-16	SCREW IHSC T		2
503 21 77-16	SCREW IHSC T		1
537 04 12-03	CLUTCH COVER		1
537 06 68-01	INSERT CRANKCASE		1
537 06 69-01	GASKET		1
537 07 36-01	SPRING		1
537 08 52-01	CRANKCASE		1
537 08 85-01	GASKET		1
537 08 86-01	CLUTCH DRUM ASSY		1
537 30 96-01	SLEEVE		1

P *compl 503 85 24-74



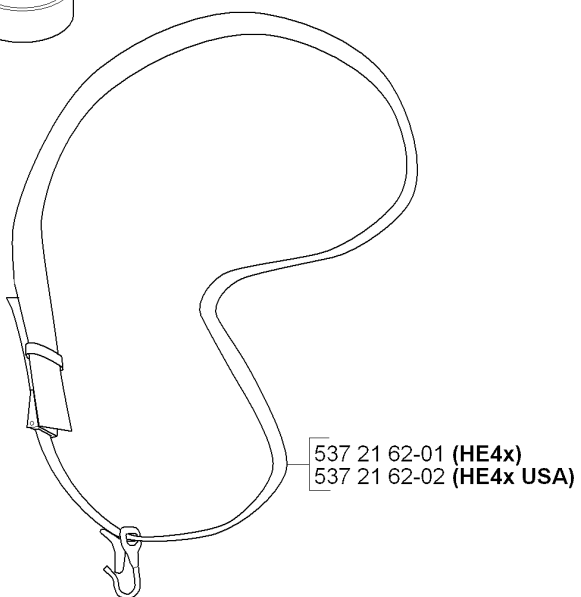
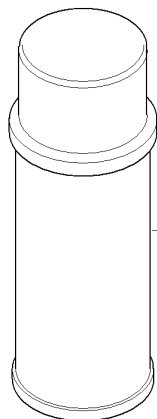
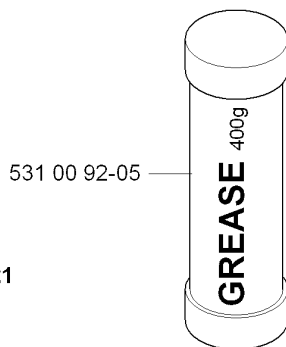
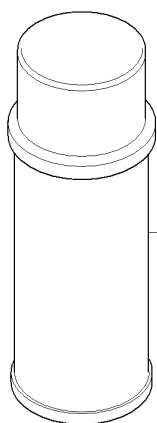
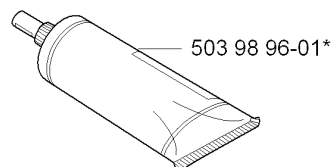
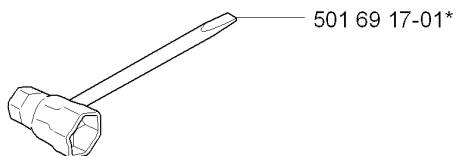
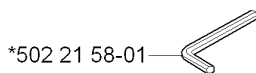
CRANKSHAFT

326 HE4 X-SERIES, 20090900001-Current

Part No	Description	Remark	QTY KIT
503 71 22-01	BEARING		1
503 85 24-74	CRANKSHAFT ASSY		1
503 94 02-03	BEARING CAGE		1
503 94 02-03	BEARING CAGE		1
503 94 05-01	CUP		1
503 94 05-01	CUP		1

Q Accessories
Zubehöre
Accessoires
Acessorios
Tillbehör

*compl 544 04 42-01 HE3x, HE4x, HA850
 *compl 544 04 42-02 HDA55x, HA110



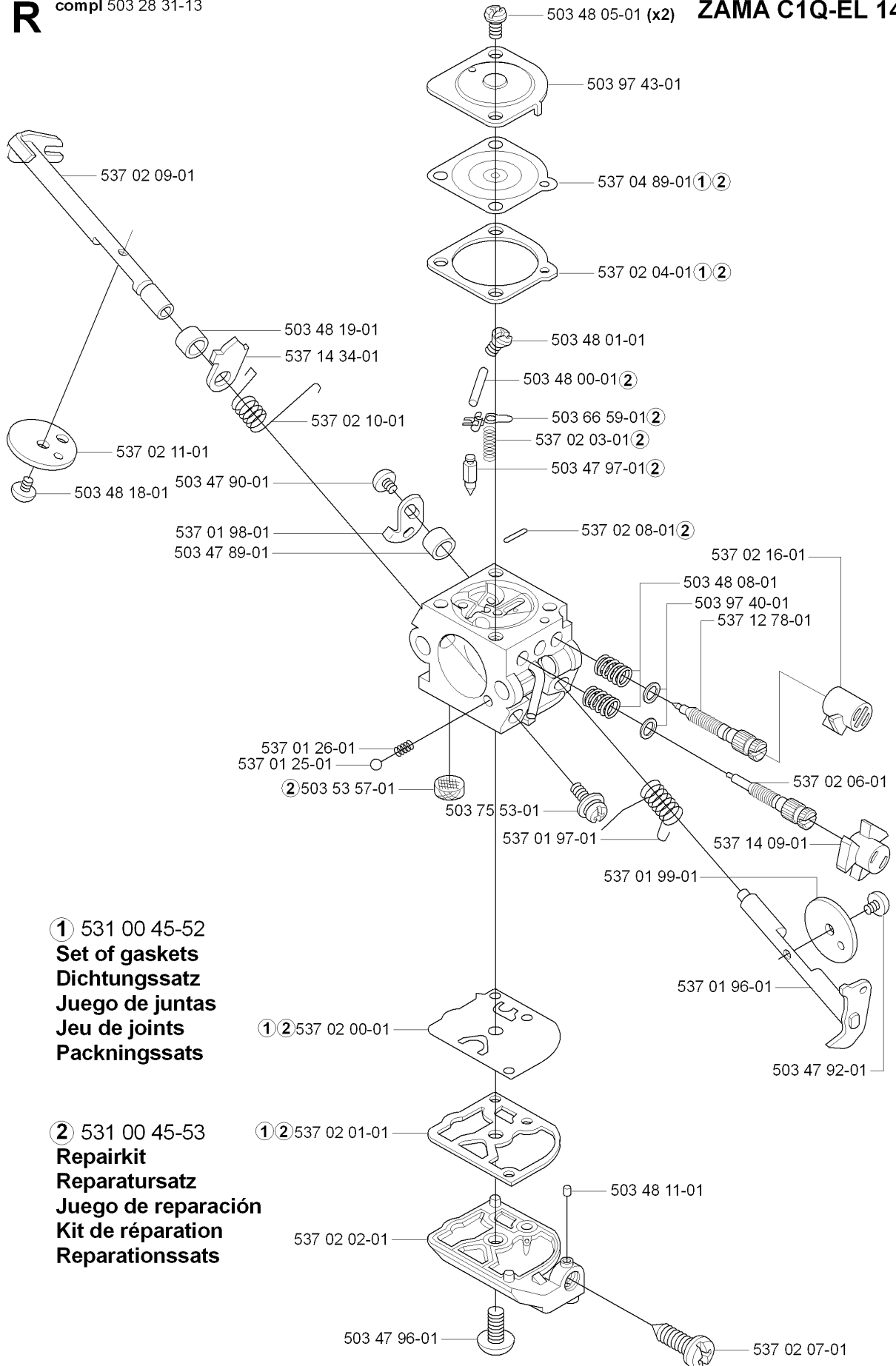
ACCESSORIES

326 HE4 X-SERIES, 20090900001-Current

Part No	Description	Remark	QTY KIT
501 69 17-01	COMBINATION WRENCH		1
502 21 58-01	WRENCH		1
503 98 96-01	GREASE		1
531 00 75-12	GREASE	UL21	1
531 00 75-13	GREASE	UL22	1
531 00 92-05	GREASE		1
537 21 62-01	HARNESS	HE4x	1
537 21 62-02	HARNESS	HE4x USA	1
544 04 42-01	ACCESSORY BAG		1
544 04 42-02	ACCESSORY BAG		1

R compl 503 28 31-13

ZAMA C1Q-EL 14



① 531 00 45-52
Set of gaskets
Dichtungssatz
Juego de juntas
Jeu de joints
Packningssats

② 531 00 45-53
Repairkit
Reparatursatz
Juego de reparación
Kit de réparation
Reparationsatz

CARBURETOR DETAILS

326 HE4 X-SERIES, 20090900001-Current

Part No	Description	Remark	QTY KIT
503 28 31-13	CARBURETTOR		1
503 47 89-01	COLLAR		1
503 47 90-01	SCREW		1
503 47 92-01	SCREW		1
503 47 96-01	SCREW		1
503 47 97-01	VALVE		1
503 48 00-01	PIN RETAINING SCREW		1
503 48 01-01	SCREW		1
503 48 05-01	SCREW		2
503 48 08-01	SPRING		1
503 48 11-01	PIECE		1
503 48 18-01	SCREW		1
503 48 19-01	COLLAR		1
503 53 57-01	STRAINER		1
503 66 59-01	LEVER		1
503 75 53-01	SCREW		1
503 97 40-01	WASHER		1
503 97 43-01	COVER		1
537 01 25-01	BALL		1
537 01 26-01	SPRING		1
537 01 96-01	SHAFT ASSY		1
537 01 97-01	SPRING		1
537 01 98-01	LEVER		1
537 01 99-01	VALVE		1
537 02 00-01	DIAPHRAGM PUMP		1
537 02 01-01	GASKET		1
537 02 02-01	COVER		1
537 02 03-01	SPRING		1
537 02 04-01	GASKET		1
537 02 06-01	SCREW		1
537 02 07-01	SCREW		1
537 02 08-01	PLUG		1
537 02 09-01	SHAFT ASSY		1
537 02 10-01	SPRING		1
537 02 11-01	VALVE		1
537 02 16-01	LIMITER CAP		1
537 04 89-01	DIAPHRAGM		1
537 12 78-01	SCREW		1
537 14 09-01	LIMITER CAP		1
537 14 34-01	LEVER		1