

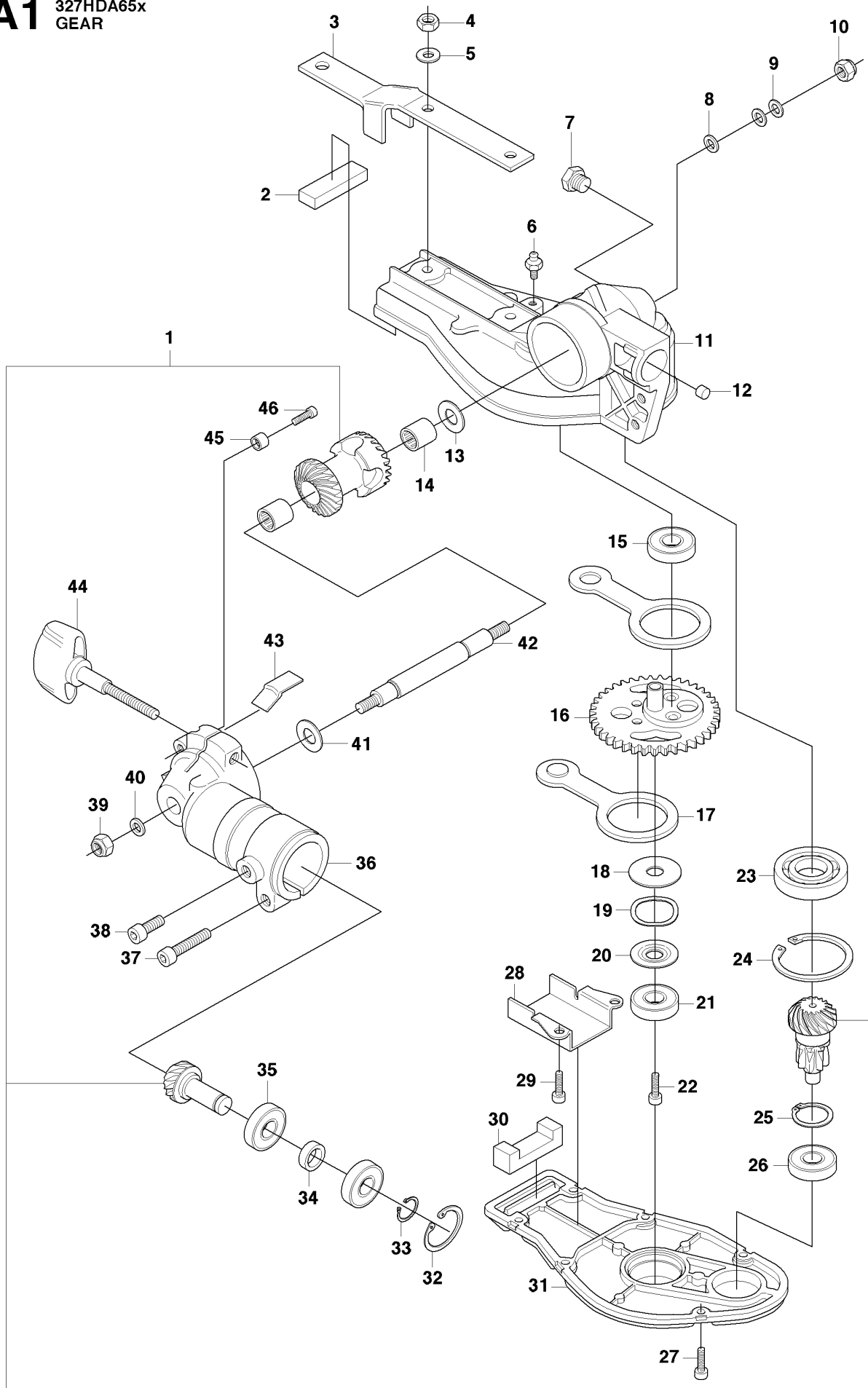


# SPARE PARTS LIST

HEDGE TRIMMERS/POLE HEDGE  
TRIMMERS

327 HDA65 X-SERIES from  
20150500001-current

**A1** 327HDA65x  
GEAR

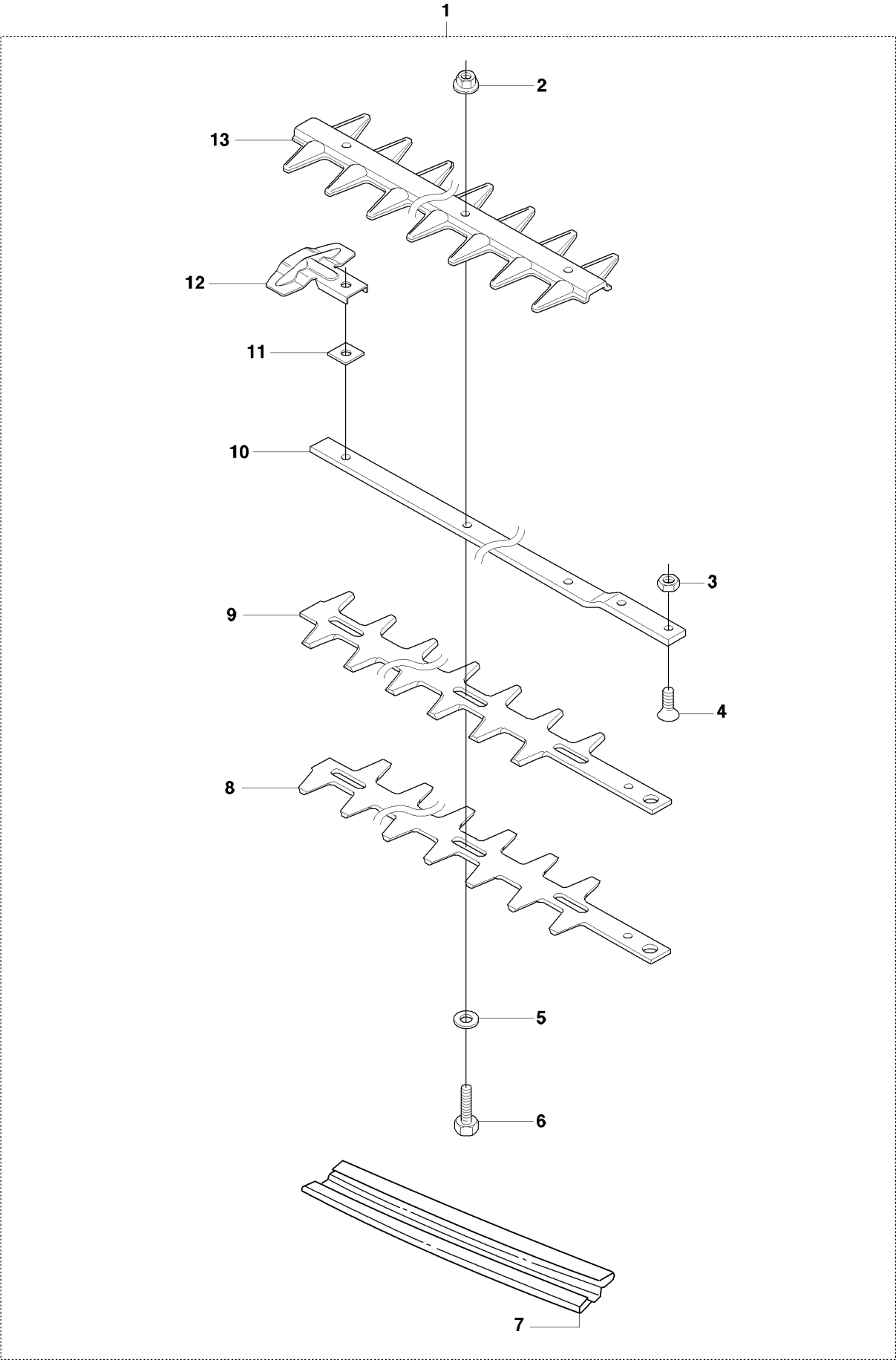


## BEVEL GEAR

327 HDA65 X-SERIES from 20150500001-current

Ref	Part No	Description	Remark	QTY KIT
1	544 06 40-01	GEAR WHEEL		1
2	537 23 22-01	SEALING		1
3	537 23 21-01	BASEPLATE		1
4	503 22 10-12	HEXAGON NUT		2
5	734 11 46-01	WASHER		2
6	738 88 10-01	LUBRICATION NIPPLE		1
7	537 41 66-01	PLUG		1
8	734 11 52-01	WASHER		1
9	737 38 52-00	DISC SPRING		2
10	732 25 16-01	HEXAGON LOCKING NUT		1
11	537 23 17-01	GEAR HOUSING		1
12	544 09 31-01	PLUG		1
13	537 29 42-01	WASHER		1
14	537 23 36-01	NEEDLE BEARING		2
15	738 21 98-04	BALL BEARING		1
16	537 23 28-01	GEAR WHEEL		1
17	537 23 20-01	CONNECTING ROD		2
18	537 40 48-01	WASHER		1
19	503 23 03-02	WASHER		1
20	537 34 18-01	WASHER		1
21	738 21 98-04	BALL BEARING		1
22	725 53 23-05	SCREW IHSCM		1
23	537 40 64-02	BALL BEARING		1
24	735 31 33-10	CIRCLIP		1
25	735 31 19-00	CIRCLIP		1
26	738 21 98-04	BALL BEARING		1
27	725 52 91-01	SCREW IHSCM		6
28	537 34 15-01	GUIDE PLATE		1
29	725 52 87-55	SCREW IHSCM		2
30	537 23 42-01	SEALING		1
31	537 23 18-01	HUB CAP		1
32	735 31 25-10	CIRCLIP		1
33	735 31 11-00	CIRCLIP		1
34	537 23 37-01	SPACER		1
35	738 21 99-04	BALL BEARING		2
36	537 23 16-01	GEAR HOUSING		1
37	503 20 07-25	SCREW IHSCFM		1
38	503 20 14-12	SCREW IHSCFMO		1
39	732 25 16-01	HEXAGON LOCKING NUT		1
40	734 11 52-01	WASHER		1
41	537 29 42-01	WASHER		1
42	537 23 26-01	SHAFT		1
43	537 39 49-01	SEALING		1
44	537 44 23-01	KNOB		1
45	537 23 35-01	SPACER		1
46	725 53 29-55	SCREW IHSCM		1

**B** 327HDA65x, HE3x, HE4x, HA110, HA850  
CUTTINGSYSTEM

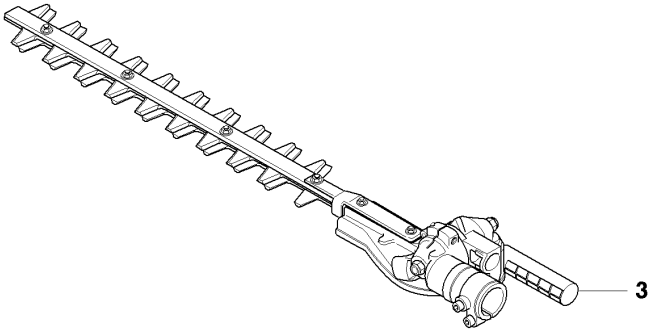
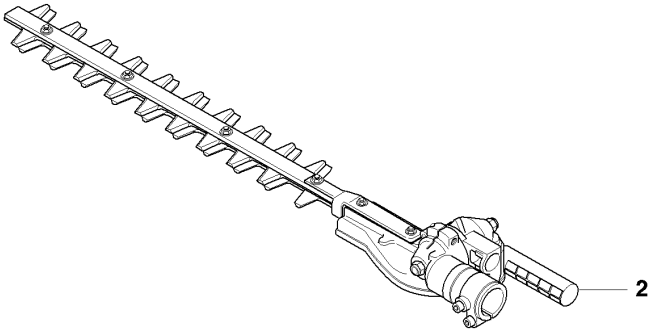
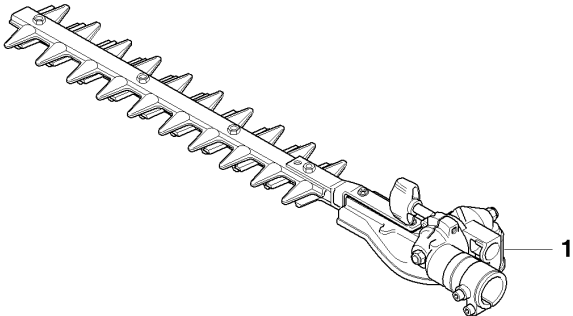


## CUTTING EQUIPMENT

327 HDA65 X-SERIES from 20150500001-current

Ref	Part No	Description	Remark	QTY KIT
1B	505 06 57-01	CUTTING DECK		1
2B	503 22 75-02	NUT		5
3	503 22 10-12	HEXAGON NUT		2
4	725 63 31-55	SCREW IHCSFM		2
5B	503 23 00-24	WASHER		5
6B	503 20 17-22	SCREW EHHM		5
7B	544 00 48-02	TRANSPORT GUARD		1
8B	505 06 50-01	BLADE		1
9B	505 06 50-01	BLADE		1
10B	544 43 13-01	BEAM		1
11	544 46 27-01	WASHER STEEL		1
12	537 37 20-01	COVER		1
13	537 28 44-01	PROTECTIVE PLATE		1

**C** 327 HDA55x, HE3x, HE4x  
CUTTINGSYSTEM

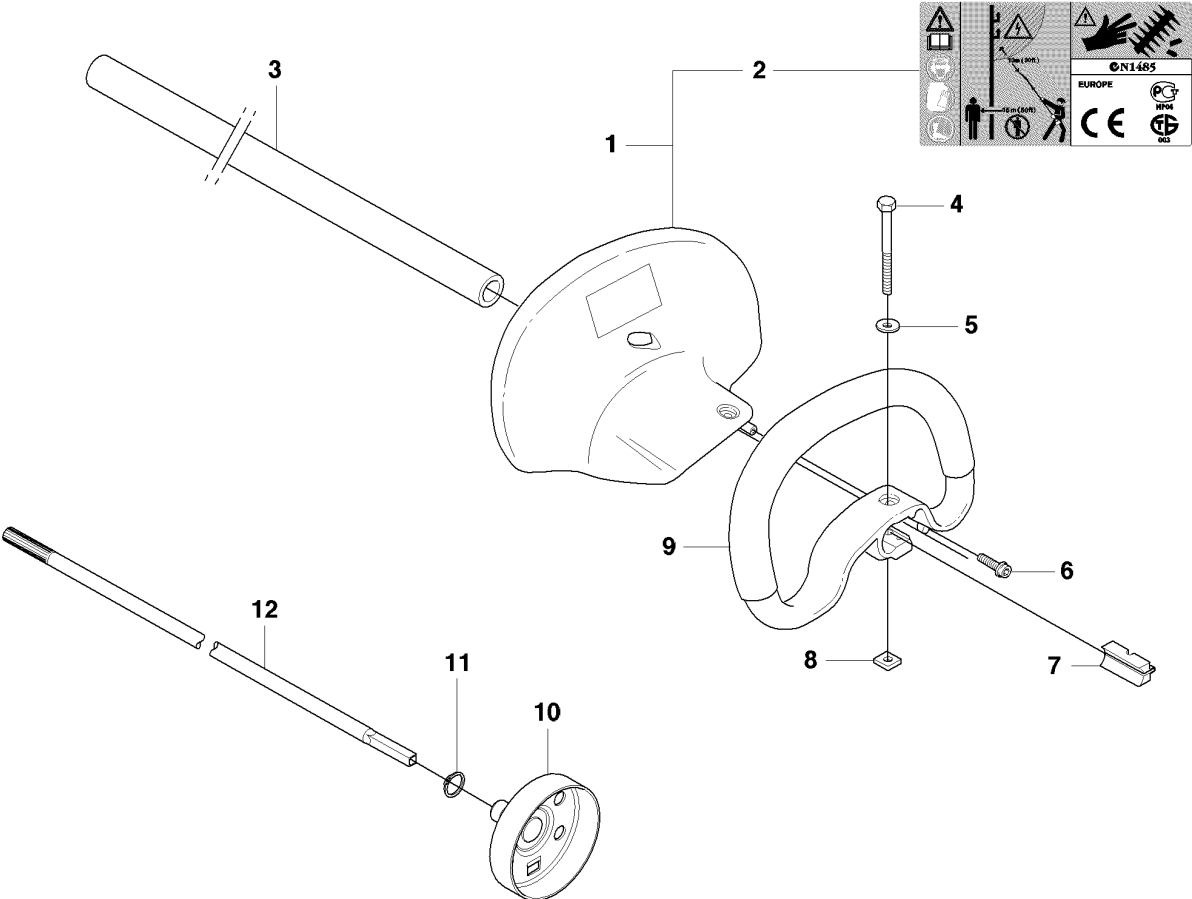


CUTTING EQUIPMENT

327 HDA65 X-SERIES from 20150500001-current

Ref	Part No	Description	Remark	QTY KIT
1	521 91 93-01	CUTTING DECK KIT		1
2	521 91 93-02	CUTTING DECK KIT		1
3	521 91 93-03	CUTTING DECK KIT		1

**D1** 327HDA65x  
HANDLEBAR



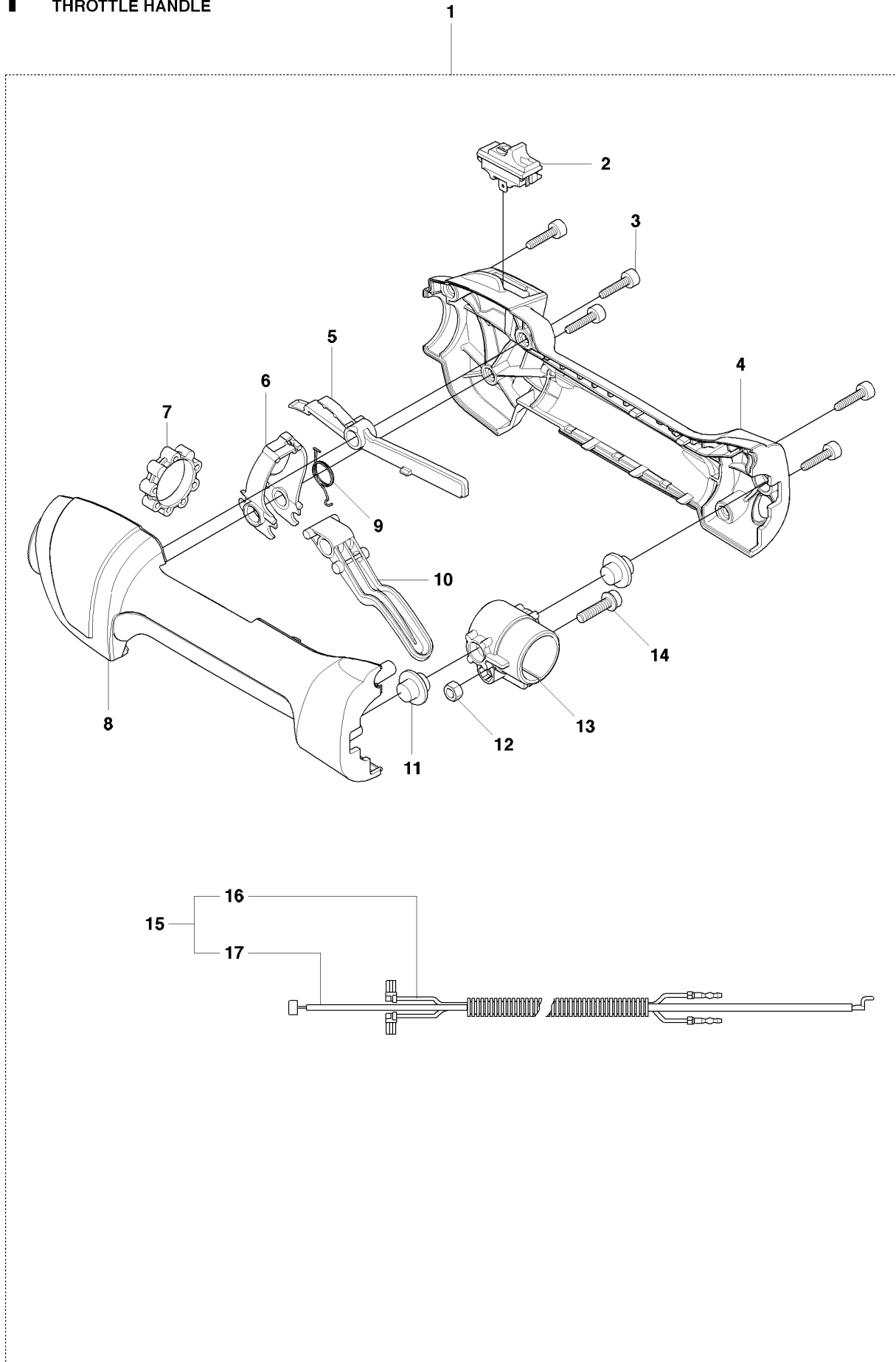


## HANDLE

327 HDA65 X-SERIES from 20150500001-current

Ref	Part No	Description	Remark	QTY KIT
1	576 47 06-01	KIT		1
2	587 11 37-02	LABEL		1
3	537 09 11-01	TUBE		1
4	725 23 78-51	SCREW EHHM		1
5	734 11 52-01	WASHER		1
6	503 21 75-16	SCREW IHSCFT		1
7	503 94 03-01	DISTANCE		1
8	502 19 71-01	SQUARE NUT		1
9	503 87 19-08	HANDLE		1
10	537 24 00-01	CLUTCH DRUM ASSY		1
11	735 31 12-00	CIRCLIP		1
12	537 23 48-02	DRIVE SHAFT		1

**F** 327HDA65x, HE3x, HE4x  
THROTTLE HANDLE

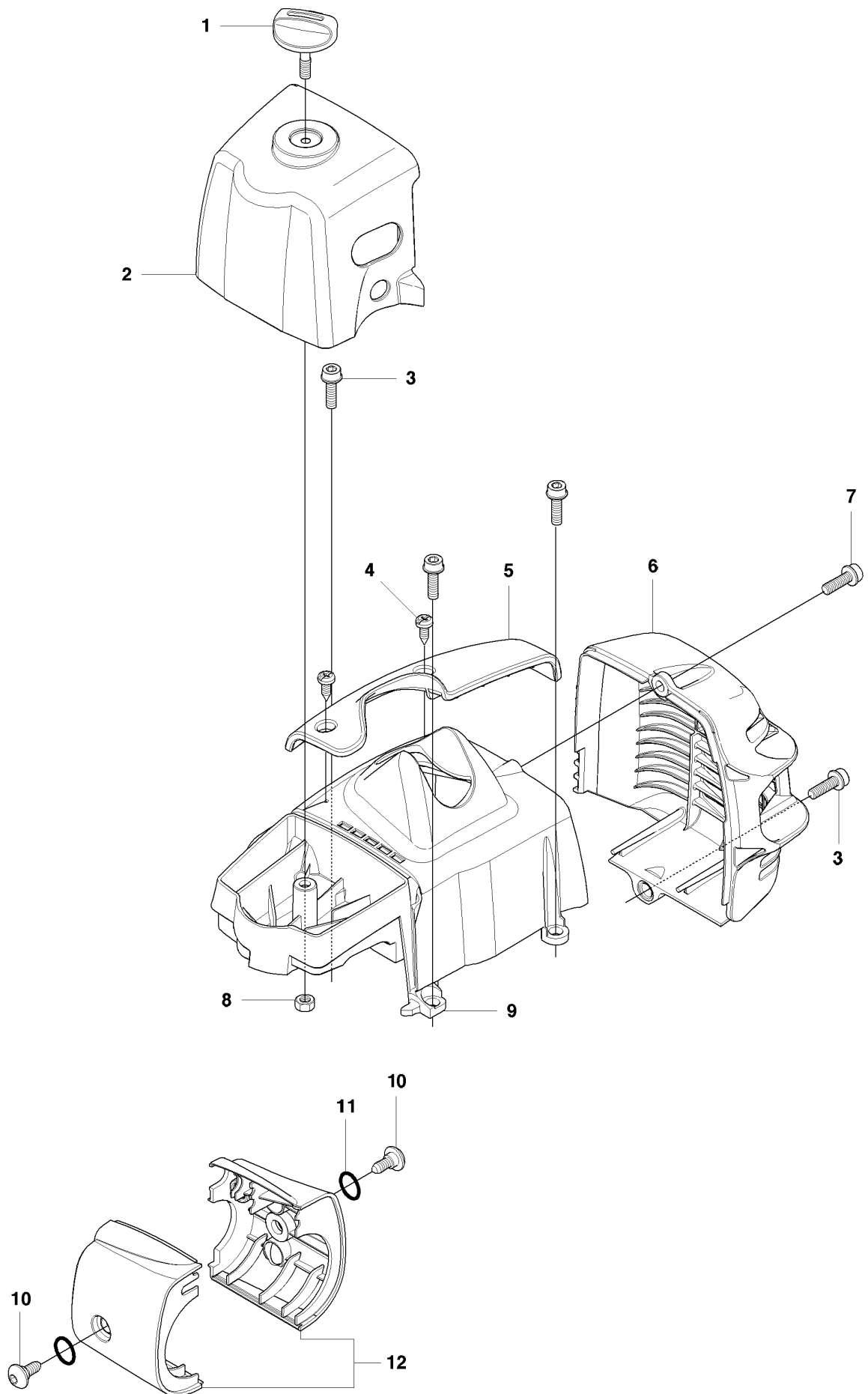


## THROTTLE CONTROLS

327 HDA65 X-SERIES from 20150500001-current

Ref	Part No	Description	Remark	QTY	KIT
1	544 14 36-04	CONTROL		1	
2	537 41 90-01	SWITCH		1	1
3	503 21 66-18	SCREW IH SCT		5	1
4	544 10 02-02	HANDLE HALF		1	1
5	503 87 80-01	THROTTLE LOCKOUT		1	1
6	503 91 81-01	THROTTLE LEVER		1	1
7	503 96 14-01	ABSORBER		1	1
8	544 10 03-02	HANDLE HALF		1	1
9	544 10 08-01	RECOIL SPRING		1	1
10	503 87 79-03	THROTTLE TRIGGER		1	1
11	544 10 17-02	DAMPER		2	1
12	731 23 14-01	HEXAGON NUT		1	1
13	544 11 21-01	RETAINER		1	1
14	503 20 03-20	SCREW IH SCFM		1	1
15	502 65 13-01	WIRING		1	1
16	502 53 16-01	SHORT CIRCUIT CABLE		1	1, 16
17	544 17 17-03	THROTTLE CABLE ASSY		1	1, 16

**H** 327HDA65x, HE3x, HE4x  
COVER

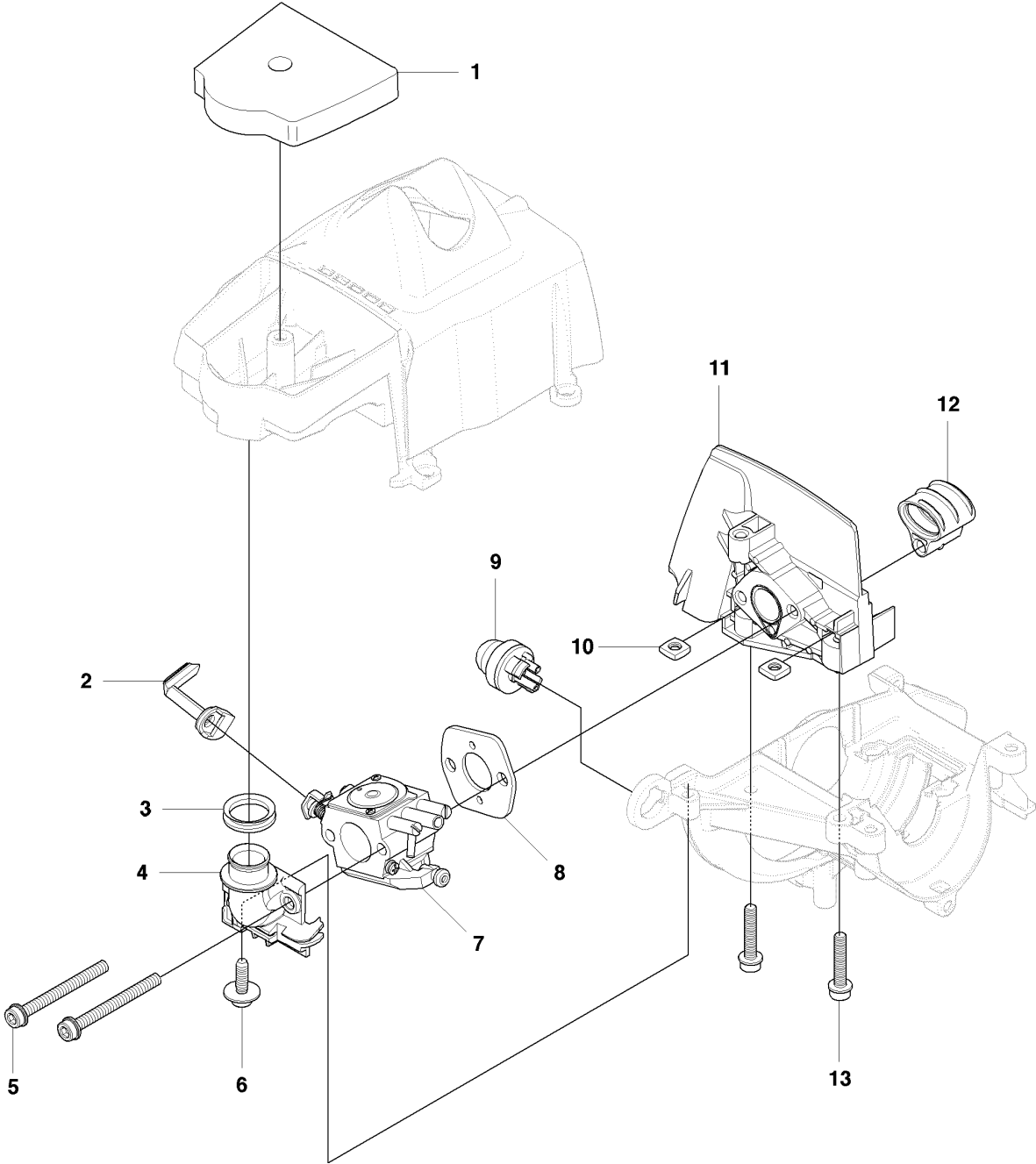


## CYLINDER COVER

327 HDA65 X-SERIES from 20150500001-current

Ref	Part No	Description	Remark	QTY KIT	
1	537 21 32-10	KNOB		1	
2	502 48 13-01	FILTER COVER		1	1
4	503 21 35-12	SCREW CCRPANT		2	1
5	502 48 16-01	ARM PROTECTION		1	1
6	544 84 81-01	HEAT PROTECTOR		1	
7	503 21 75-20	SCREW IHSCFT		1	
8	503 22 24-01	LOCK NUT		1	
9	502 48 14-01	CYLINDER COVER		1	
10	503 96 13-01	SCREW		2	
11	740 42 06-00	O-RING		2	
12	502 48 15-01	COVER		1	
3	503 20 03-03	SCREW IHSCFM	M5 X 16	5	

**J** 327HDA65x, HE3x, HE4x  
CARBURETTOR & AIRFILTER

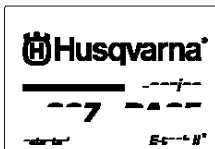
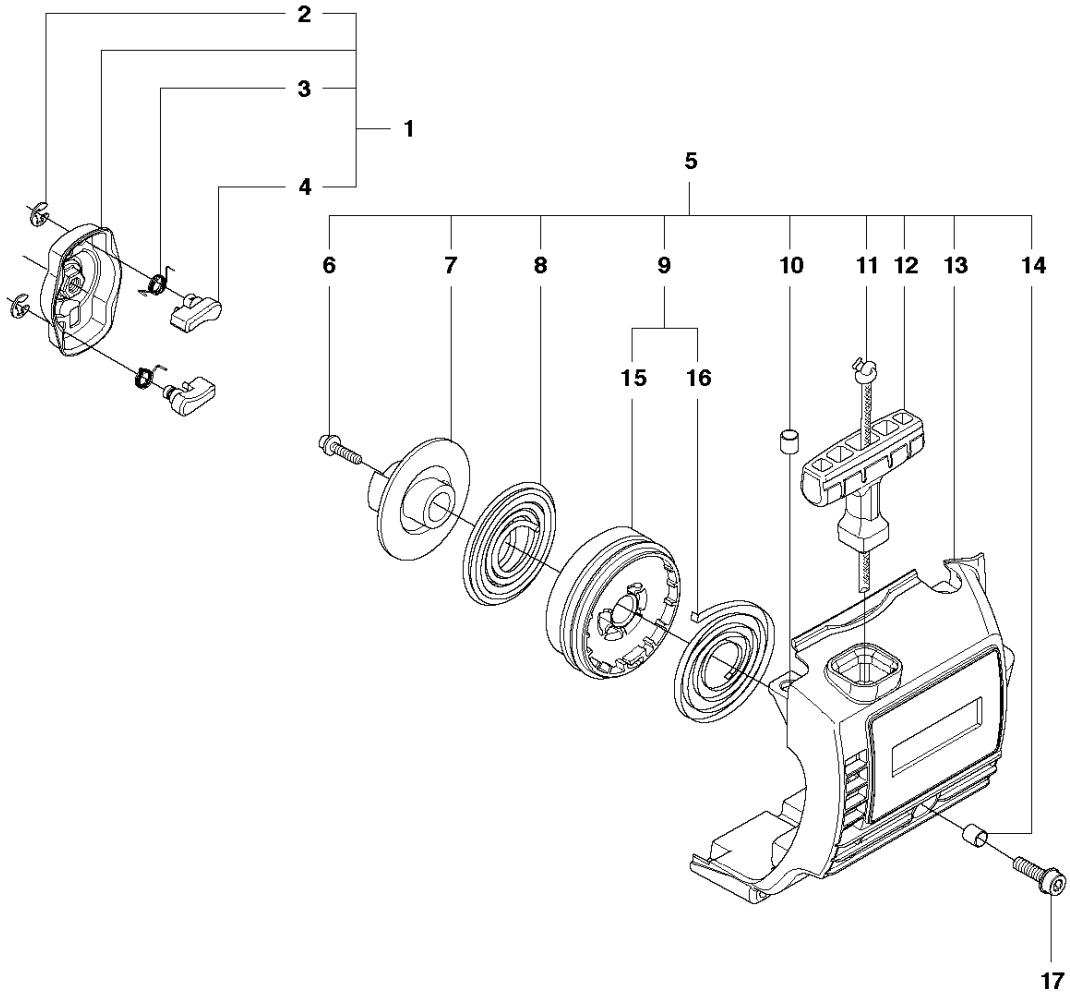


## CARBURETOR &amp; AIR FILTER

327 HDA65 X-SERIES from 20150500001-current

Ref	Part No	Description	Remark	QTY KIT
1	537 14 31-03	AIR FILTER ASSY		1
2	503 96 25-01	CHOKE CONTROL		1
3	740 68 11-21	V-RING		1
4	502 49 90-01	BRACKET		1
5	503 21 75-50	SCREW IHSCFT		2
6	503 21 77-16	SCREW IHSCFT		1
7	503 28 31-13	CARBURETTOR	Zama C1Q-EL24, NOT FOR US	1
7	576 01 98-01	CARBURETTOR	Hualong HQ-2, only option for US	1
8	503 49 71-01	GASKET		1
9	503 93 66-01	PURGE		1
10	503 22 65-04	SQUARE NUT		2
11	503 91 09-01	INSULATION WALL		1
12	503 94 26-01	INLET PIPE		1
13	503 20 03-25	SCREW IHSCFM		2

**K1** 327HDA65x, HE3x  
STARTER



22



23



## STARTER

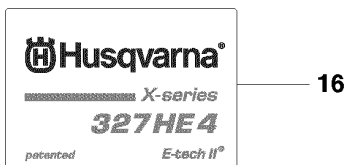
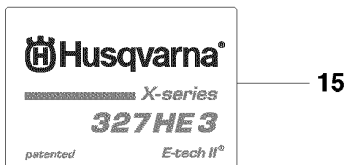
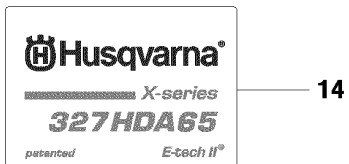
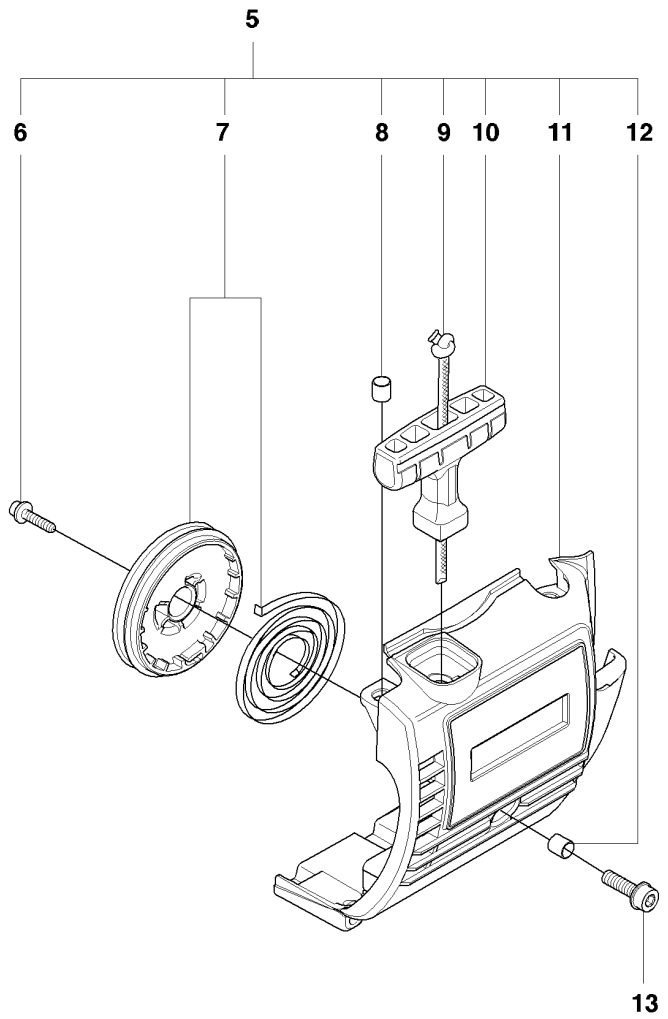
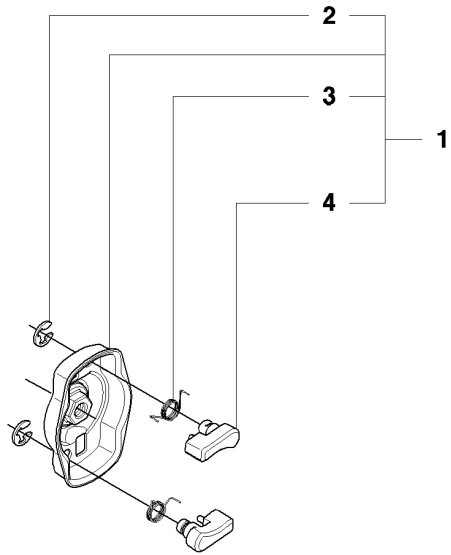
327 HDA65 X-SERIES from 20150500001-current

Ref	Part No	Description	Remark	QTY	KIT
1	503 87 33-05	STARTER PAWL		1	
2	735 31 08-20	E-CLIP		2	1
3	503 87 36-01	SPRING		2	1
4	503 87 35-02	STARTER PAWL		2	1
5	544 07 11-02	STARTER ASSY		1	
6	503 21 77-25	SCREW IH SCT		1	5
7	544 03 87-01	DRIVER		1	5
8	544 03 88-01	SPRING		1	5
9	544 16 65-01	STARTER PULLEY ASSY		1	5
10	537 37 93-02	SPACING SLEEVE		2	5
11	503 85 89-01	STARTER ROPE		1	5
12	537 00 84-01	STARTER HANDLE		1	5
13	537 41 16-01	STARTER HOUSING		1	5
14	537 37 93-02	SPACING SLEEVE		1	5
15	544 03 86-01	STARTER PULLEY		1	5, 9
16	503 85 90-01	RECOIL SPRING		1	5, 9
17	503 20 03-03	SCREW IHSCFM	M5X16	1	
22	537 35 34-66	LABEL	327HDA65x	1	
23	537 35 34-67	LABEL	327HE3x	1	

STARTER

327 HDA65 X-SERIES from 20150500001-current

**L** 327HDA65x, HE3x, HE4x  
STARTER

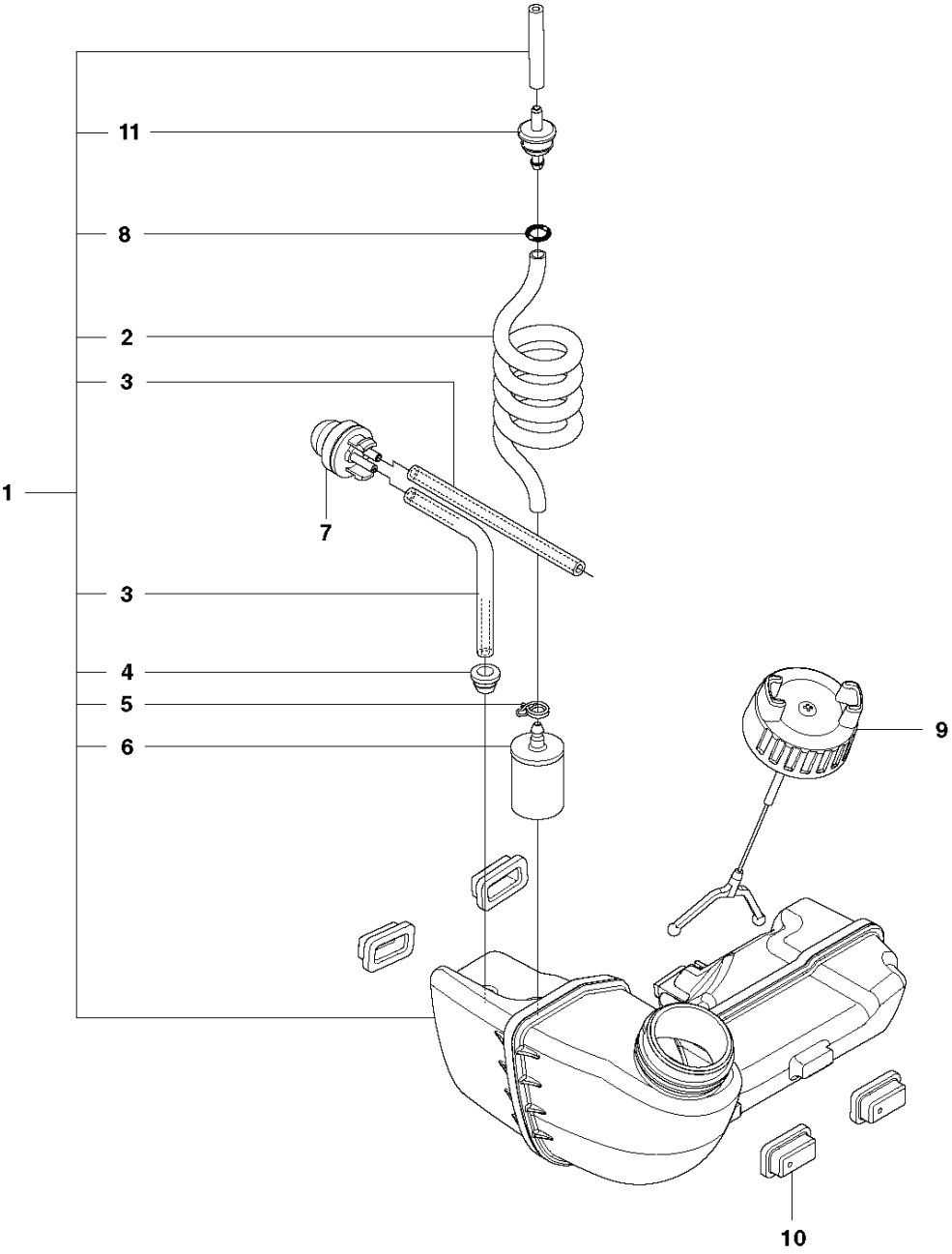


## STARTER

327 HDA65 X-SERIES from 20150500001-current

Ref	Part No	Description	Remark	QTY KIT	
1	503 87 33-05	STARTER PAWL		1	
2	735 31 08-20	E-CLIP		2	1
3	503 87 36-01	SPRING		1	1
4	503 87 35-02	STARTER PAWL		2	1
5	503 85 28-06	STARTER ASSY		1	
6	503 21 77-16	SCREW IH SCT		1	5
7	503 96 49-01	STARTER PULLEY		1	5
8	537 37 93-02	SPACING SLEEVE		2	5
9	503 85 89-01	STARTER ROPE		1	5
10	537 00 84-01	STARTER HANDLE		1	5
11	503 85 87-02	STARTER HOUSING		1	5
12	537 37 93-02	SPACING SLEEVE		1	5
13	503 20 03-16	SCREW IH SCFM		1	
14	537 35 34-66	LABEL	327HDA65x	1	
15	537 35 34-67	LABEL	327HE3x	1	
16	537 35 34-68	LABEL	327HE4x	1	

**M** 327HDA65x, HE3x, HE4x  
FUEL TANK

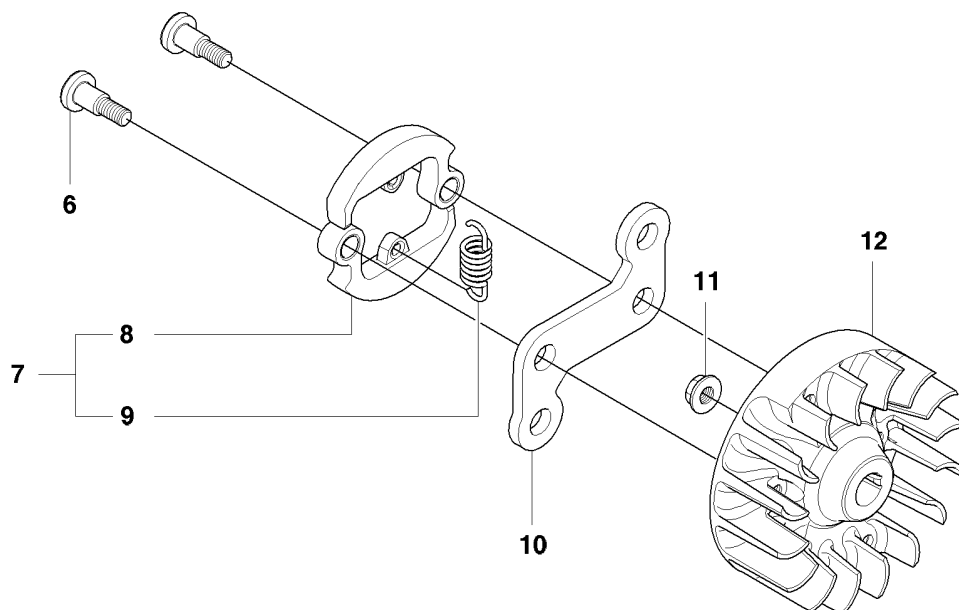
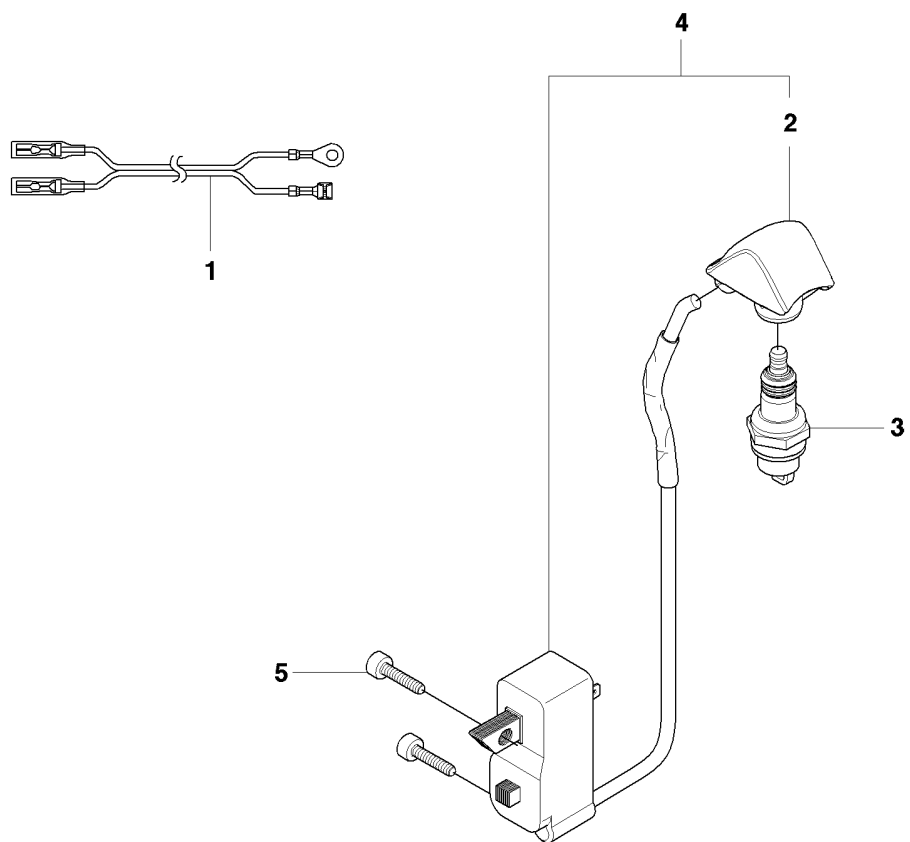


## FUEL TANK

327 HDA65 X-SERIES from 20150500001-current

Ref	Part No	Description	Remark	QTY	KIT
1	584 25 80-01	FUEL TANK ASSY		1	
2	581 75 62-01	FUEL HOSE		1	1
3	537 04 24-01	FUEL HOSE		2	1
4	503 73 58-01	BUSHING		2	1
5	504 02 24-01	HOSE CLAMP		1	1
6	503 44 32-01	FUEL FILTER		1	1
7	503 93 66-01	PURGE		1	
8	537 18 49-01	O-RING		1	
9	544 88 97-02	TANK CAP		1	
10	503 91 10-01	SUSPENSION		4	
11	578 29 56-01	HOSE NIPPLE		1	2

**N** 327HDA65x, HE3x, HE4x  
IGNITION & CLUTCH

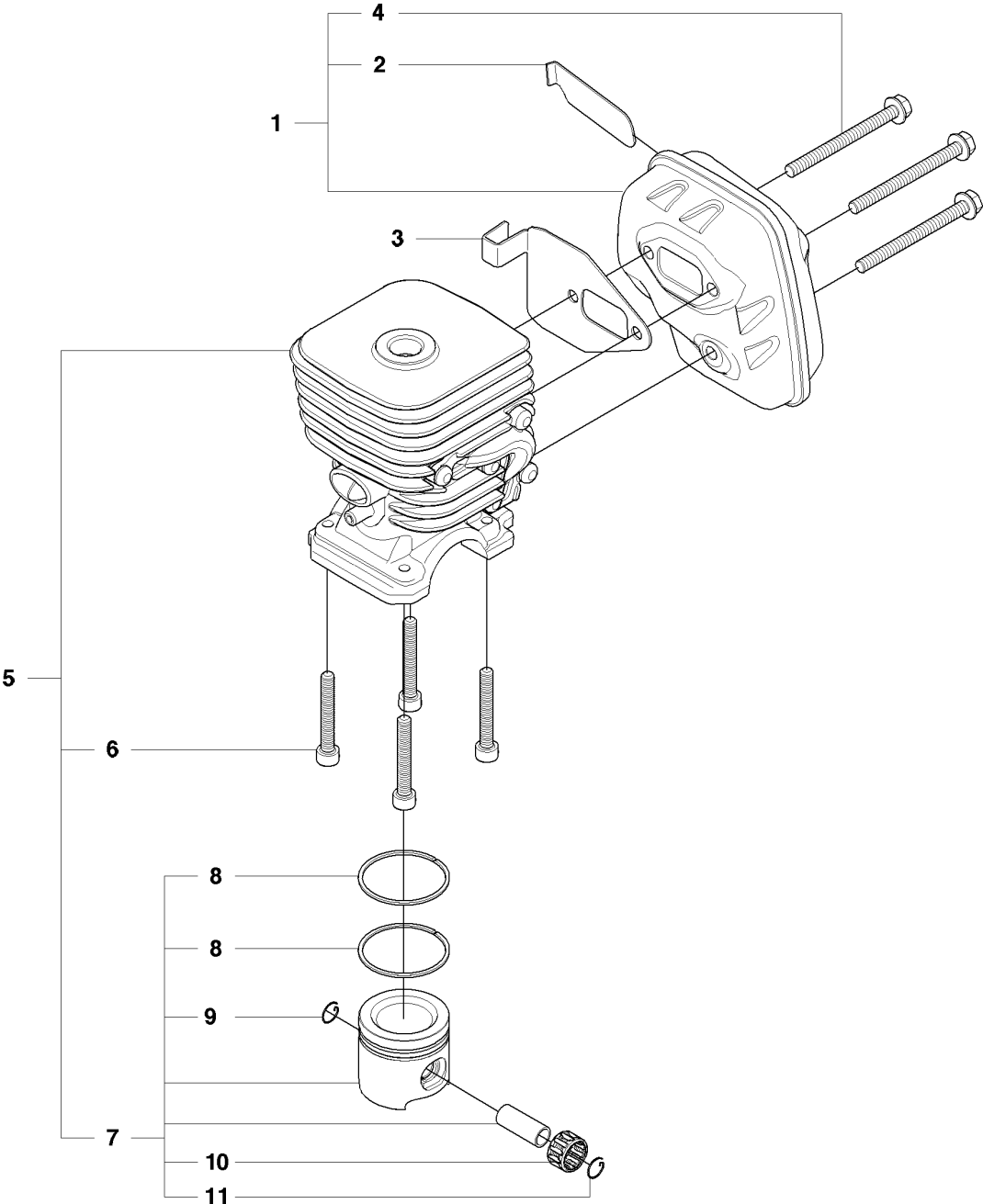


## IGNITION SYSTEM &amp; CLUTCH

327 HDA65 X-SERIES from 20150500001-current

Ref	Part No	Description	Remark	QTY	KIT
1	502 49 36-01	SHORT CIRCUIT CABLE		1	
2	537 43 43-01	SPARK PLUG CAP		1	4
3	503 23 51-09	SPARK PLUG		1	
4	502 49 37-01	IGNITION MODULE		1	
5	503 21 66-18	SCREW IH SCT		2	
6	503 84 29-02	SCREW		2	
7	537 04 01-02	CLUTCH ASSY		1	
9	503 14 51-01	CLUTCH SPRING		1	9
10	537 04 68-02	WASHER		1	
11	537 24 25-01	CLUTCH HUB		1	
12	537 24 96-02	FLYWHEEL		1	
8	537 04 00-02	CLUTCH SHOE		2	

**P** 327HDA65x, HE3x, HE4x  
CYLINDER PISTON & MUFFLER



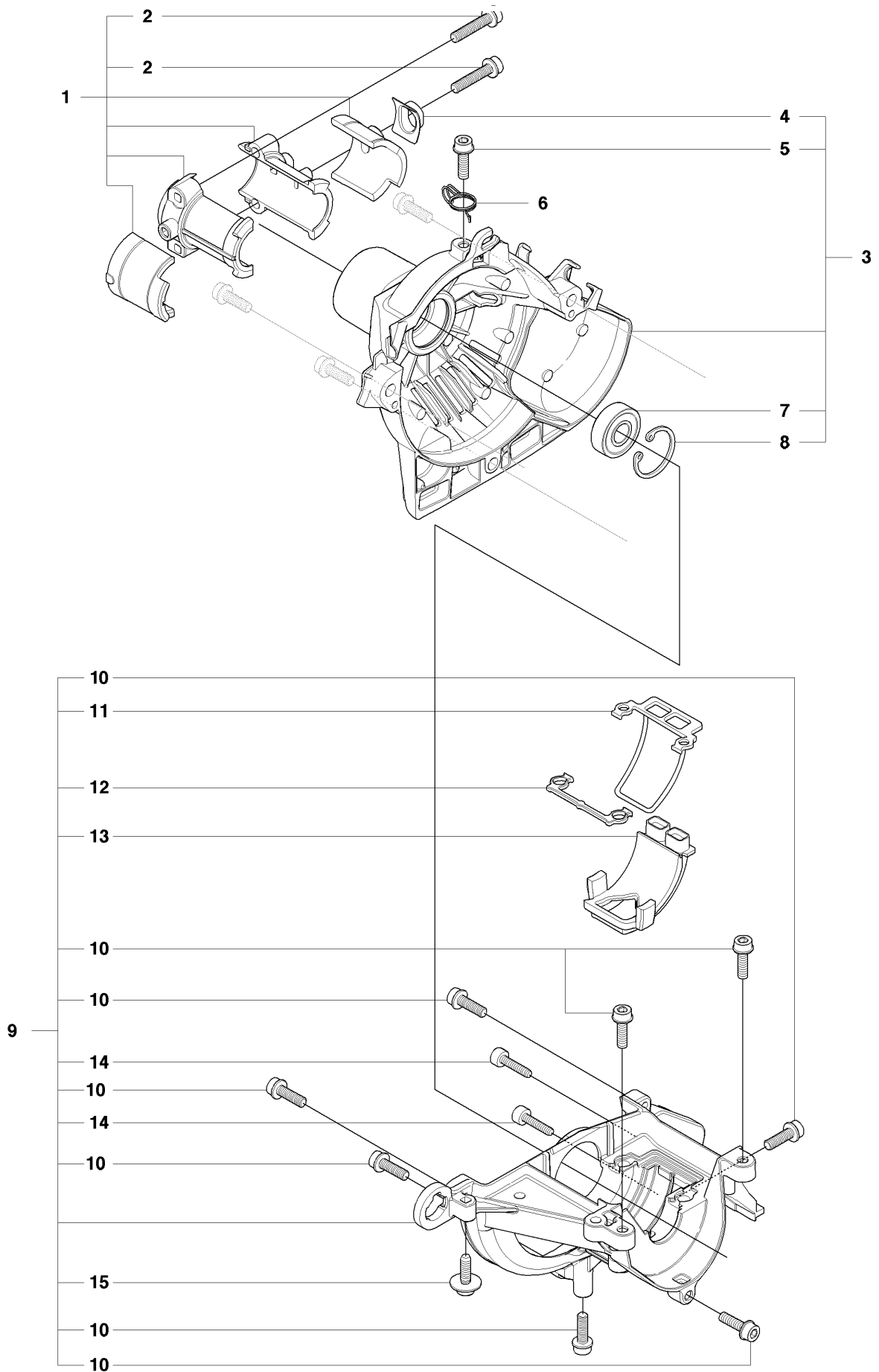


## CYLINDER, PISTON &amp; MUFFLER

327 HDA65 X-SERIES from 20150500001-current

Ref	Part No	Description	Remark	QTY	KIT
1	504 03 78-01	MUFFLER KIT		1	
2	537 22 18-01	SPARK ARRESTER SCREEN		1	1
3	537 01 41-01	GASKET		1	
4	502 07 81-01	SCREW EHHFM		3	1
5	537 08 51-03	CYLINDER		1	
6	725 53 37-55	SCREW IHSCM		4	5
7	537 40 59-02	PISTON		1	5
8	537 40 62-01	PISTON RING		2	7
9	737 44 08-00	CIRCLIP		1	7
10	503 71 22-01	BEARING		1	7
11	737 44 08-00	CIRCLIP		1	7

**Q** 327HDA65x, HE3x, HE4x  
CRANK CASE

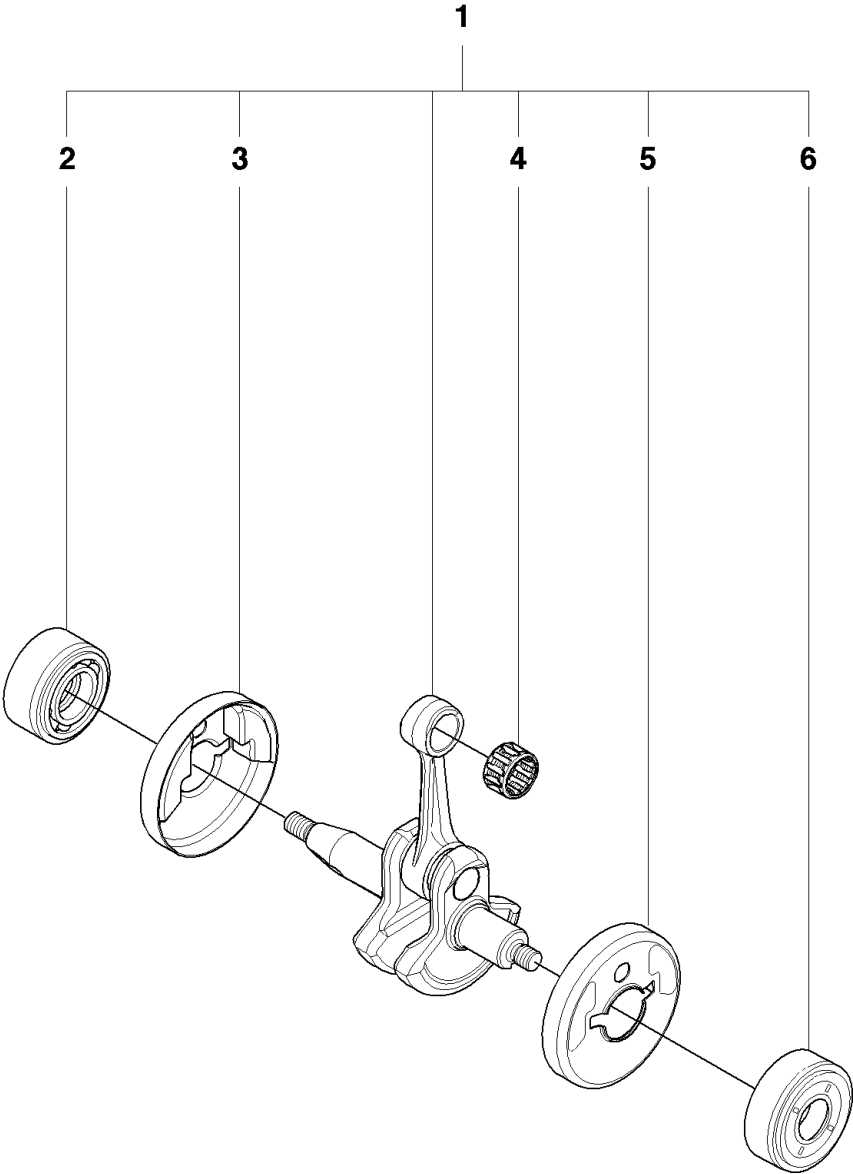


## CRANKCASE

327 HDA65 X-SERIES from 20150500001-current

Ref	Part No	Description	Remark	QTY	KIT
1	537 30 96-01	SLEEVE		1	
2	503 21 68-25	SCREW IHSCFT		2	1
3	537 04 12-09	CLUTCH COVER		1	
4	537 42 50-01	PROTECTIVE PLATE		1	3
6	537 07 36-01	SPRING		1	
7	503 25 05-01	BALL BEARING		1	3
8	537 33 67-01	CIRCLIP		1	3
11	537 06 69-01	GASKET		1	9
12	537 08 85-01	GASKET		1	9
13	537 06 68-01	INSERT CRANKCASE		1	9
14	503 21 66-18	SCREW IHSCFT		2	9
15	503 21 77-16	SCREW IHSCFT		1	9
5	503 20 03-03	SCREW IHSCFM	M5X16	1	
9	537 08 52-03	CRANKCASE		1	
10	503 20 03-03	SCREW IHSCFM	M5X16	1	

**R** 327HDA65x, HE3x, HE4x  
CRANK SHAFT

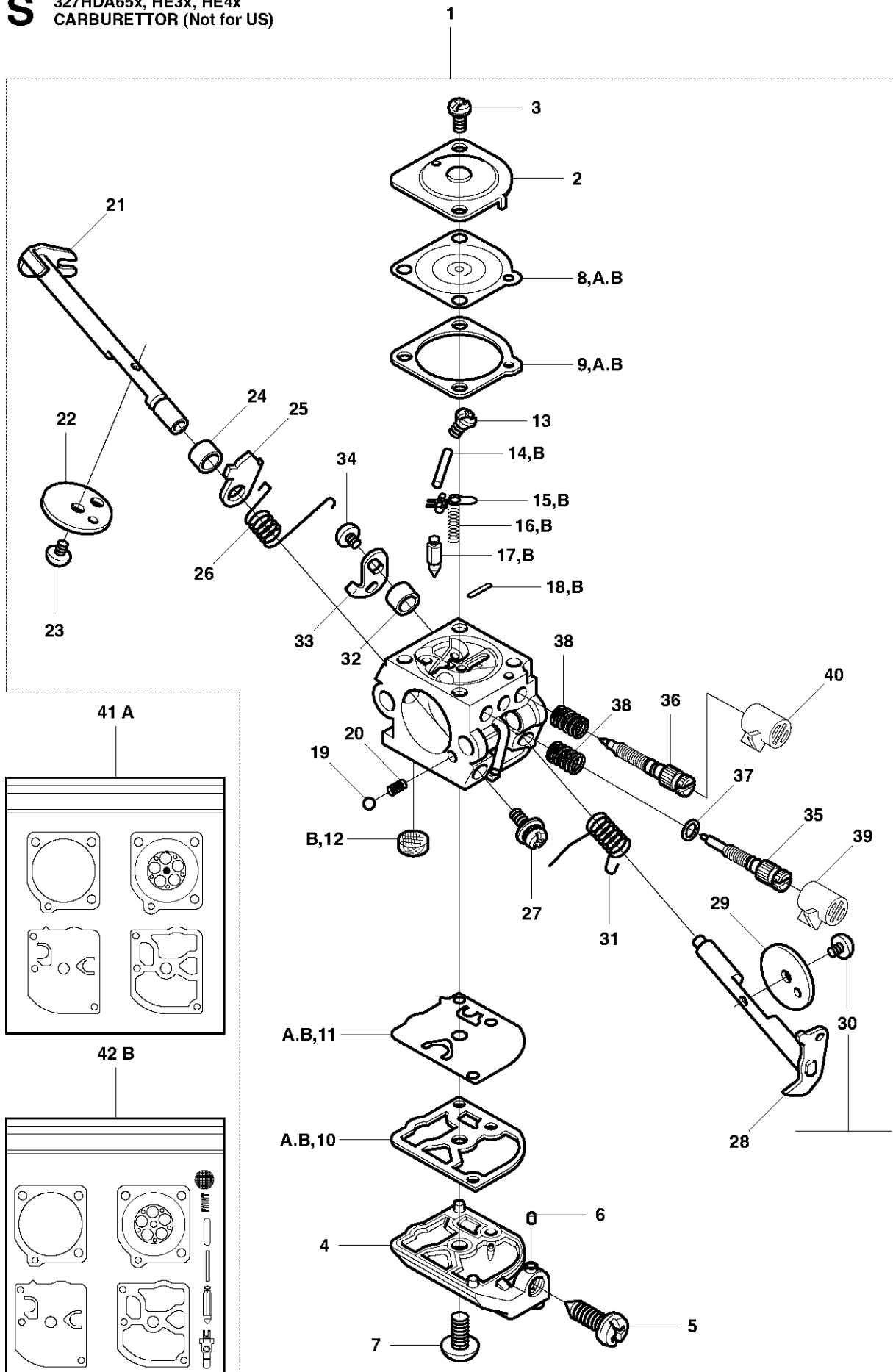


CRANKSHAFT

327 HDA65 X-SERIES from 20150500001-current

Ref	Part No	Description	Remark	QTY	KIT
1	503 85 24-74	CRANKSHAFT ASSY		1	
2	503 94 02-03	BEARING CAGE		1	1
3	503 94 05-01	CUP		1	1
4	503 71 22-01	BEARING		1	1
5	503 94 05-01	CUP		1	1
6	503 94 02-03	BEARING CAGE		1	1

**S** 327HDA65x, HE3x, HE4x  
CARBURETTOR (Not for US)



Ref	Part No	Description	Remark	QTY	KIT
1	503 28 31-13	CARBURETTOR	ZAMA C1Q-EL14A	1	
2	503 97 43-01	COVER		1	1
3	503 48 05-01	SCREW		2	1
4	537 02 02-01	COVER		1	1
5	537 02 07-01	SCREW		1	1
6	503 48 11-01	PIECE		1	1
7	503 47 96-01	SCREW		1	1
8	537 04 89-01	DIAPHRAGM		1	1, A, B
9	537 02 04-01	GASKET		1	1, A, B
10	537 02 01-01	GASKET		1	1, A, B
11	537 02 00-01	DIAPHRAGM PUMP		1	1, A, B
12	503 53 57-01	STRAINER		1	1, B
13	503 48 01-01	SCREW		1	1
14	503 48 00-01	PIN RETAINING SCREW		1	1, B
15	503 66 59-01	LEVER		1	1, B
16	537 02 03-01	SPRING		1	1, B
17	503 47 97-01	VALVE		1	1, B
18	537 02 08-01	PLUG		1	1, B
19	537 01 25-01	BALL		1	1
20	537 01 26-01	SPRING		1	1
21	537 02 09-01	SHAFT ASSY		1	1
22	537 02 11-01	VALVE		1	1
23	503 48 18-01	SCREW		1	1
24	503 48 19-01	COLLAR		1	1
25	537 14 34-01	LEVER		1	1
26	537 02 10-01	SPRING		1	1
27	503 75 53-01	SCREW		1	1
28	537 01 96-01	SHAFT ASSY		1	1
29	537 01 99-01	VALVE		1	1
30	503 47 92-01	SCREW		1	1
31	537 01 97-01	SPRING		1	1
32	503 47 89-01	COLLAR		1	1
33	537 01 98-01	LEVER		1	1
34	503 47 90-01	SCREW		1	1
35	537 02 06-01	SCREW		1	1
36	537 12 78-01	SCREW		1	1
37	503 97 40-01	WASHER		1	1
38	503 48 08-01	SPRING		1	1
39	537 02 16-01	LIMITER CAP		1	1
40	537 02 16-01	LIMITER CAP		1	1
41, A	531 00 45-52	GASKET KIT		1	
42, B	531 00 45-53	GASKET KIT		1	