

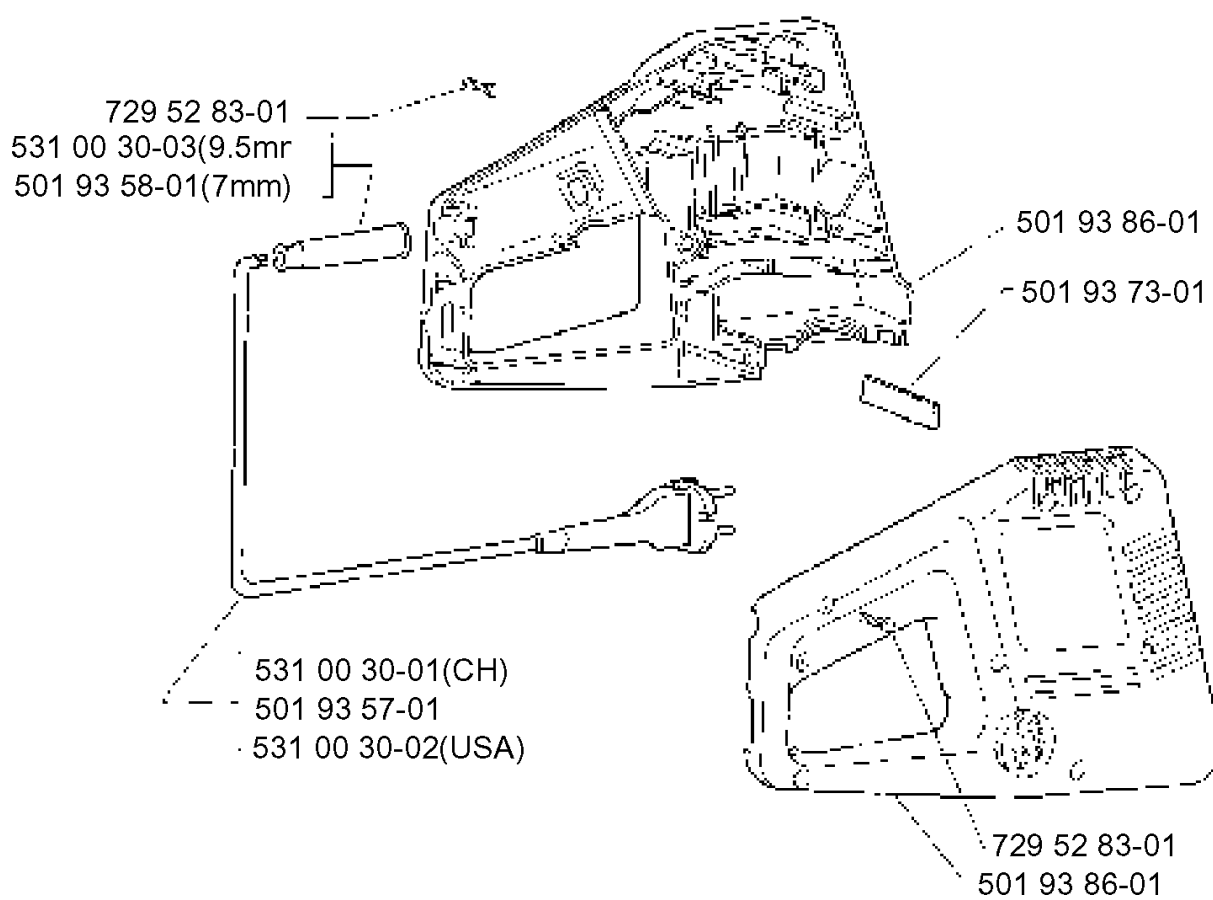


# SPARE PARTS LIST

HEDGE TRIMMERS/POLE HEDGE  
TRIMMERS

400 H, 1990-01

**A**

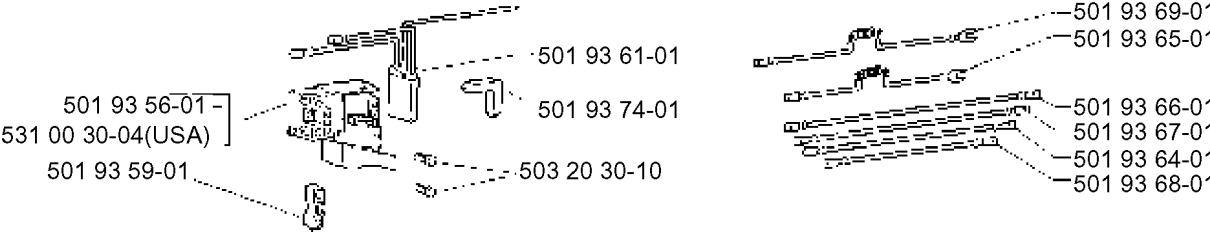


## COVER

400 H, 1990-01

Part No	Description	Remark	QTY KIT
501 93 57-01	CABLE		1
501 93 58-01	SLEEVE	7MM	1
501 93 73-01	SEALING		1
501 93 86-01	HOUSING HT ORANGE		1
501 93 86-01	HOUSING HT ORANGE		1
531 00 30-01	CABLE	CH	1
531 00 30-02	CABLE	USA	1
531 00 30-03	SLEEVE	9.5MM	1
729 52 83-01	SCREW CRPANT		1
729 52 83-01	SCREW CRPANT		1

**B**

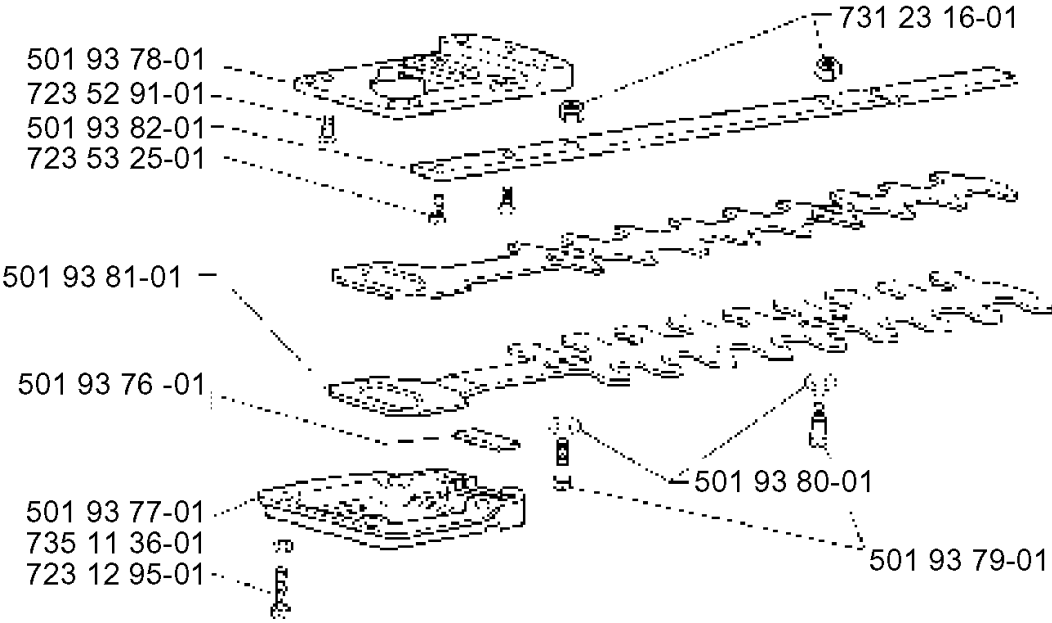


## ELECTRICAL

400 H, 1990-01

Part No	Description	Remark	QTY KIT
501 93 56-01	SWITCH		1
501 93 59-01	CABLE CLAMP		1
501 93 61-01	CAPACITOR		1
501 93 64-01	CABLE		1
501 93 65-01	CABLE		1
501 93 66-01	CABLE		1
501 93 67-01	CABLE		1
501 93 68-01	CABLE		1
501 93 69-01	CABLE		1
501 93 74-01	DAMPER		1
503 20 30-10	SCREW SLCHM		1
531 00 30-04	SWITCH	USA	1

C

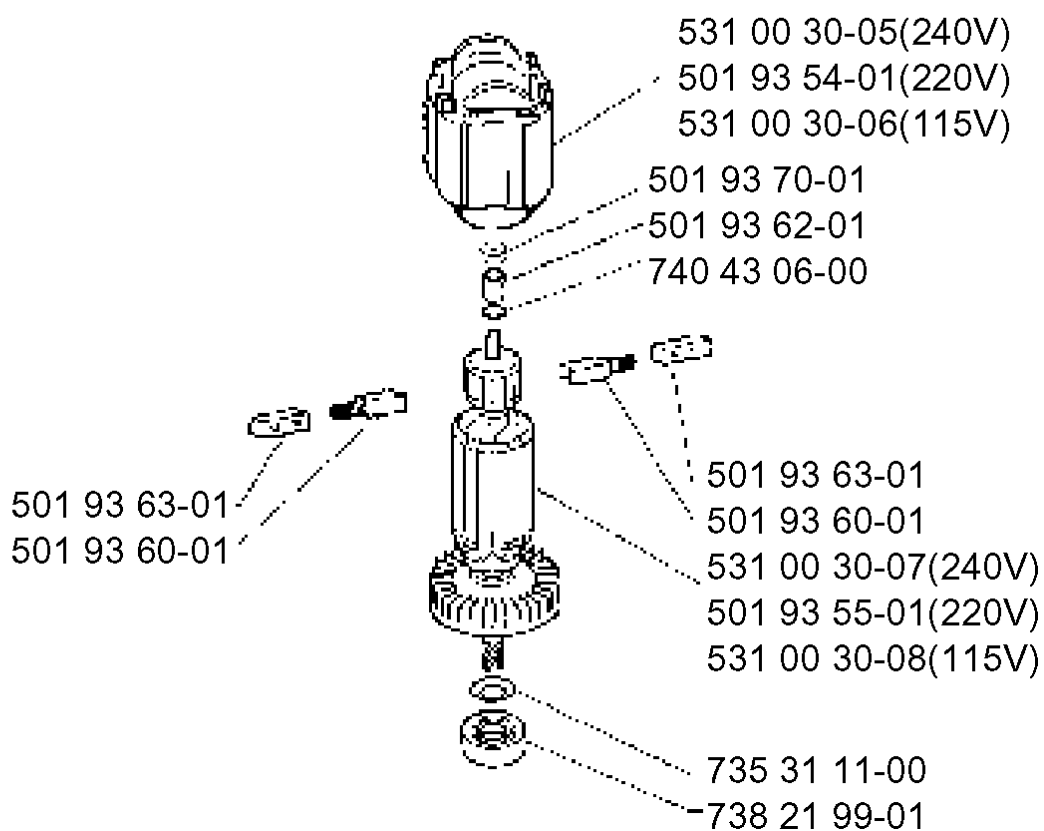


## CUTTING EQUIPMENT

400 H, 1990-01

Part No	Description	Remark	QTY KIT
501 93 76-01	SEALING		1
501 93 77-01	COVER		1
501 93 78-01	SUPPORT		1
501 93 79-01	SCREW		1
501 93 80-01	WASHER		1
501 93 81-01	KNIFE KIT		1
501 93 82-01	RAIL		1
723 12 95-01	SCREW SLCHM		1
723 52 91-01	SCREW SLCSFM		1
723 53 25-01	SCREW SLCSFM		1
731 23 16-01	HEXAGON NUT		1
735 11 36-01	SPRING WASHER 4.1X7.1		1

# D



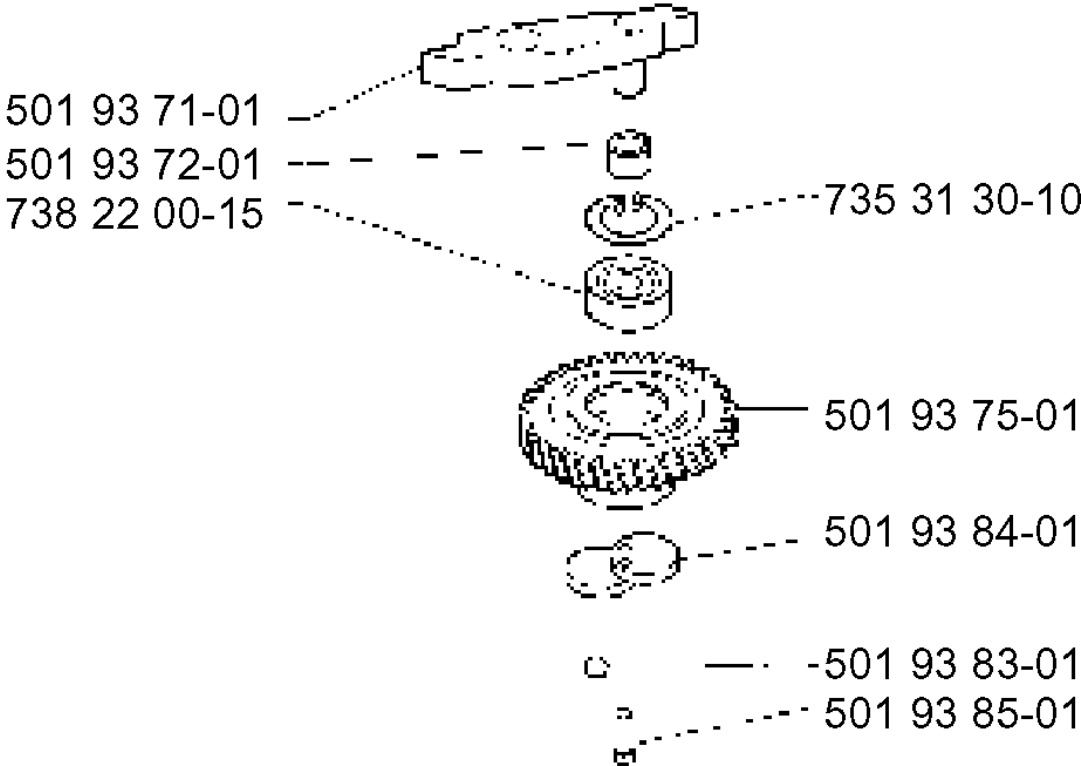


## MOTOR

400 H, 1990-01

Part No	Description	Remark	QTY KIT
501 93 54-01	FIELD COIL	220V	1
501 93 55-01	ARMATURE	220V	1
501 93 60-01	BRUSH		1
501 93 60-01	BRUSH		1
501 93 62-01	SLEEVE		1
501 93 63-01	HOLDER		1
501 93 63-01	HOLDER		1
501 93 70-01	RING		1
531 00 30-05	FIELD COIL	240V	1
531 00 30-06	FIELD COIL (115V)	115V	1
531 00 30-07	ARMATURE	240V	1
531 00 30-08	ARMATURE	115V	1
735 31 11-00	CIRCLIP		1
738 21 99-01	BALL BEARING		1
740 43 06-00	O-RING		1

E

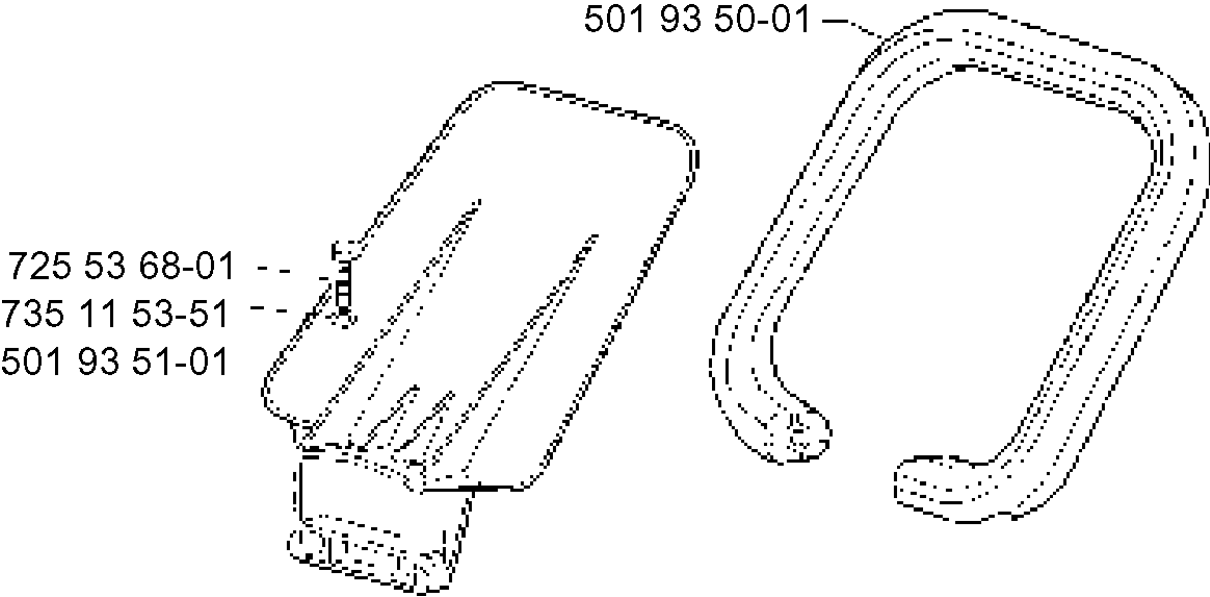


GEAR HOUSING

400 H, 1990-01

Part No	Description	Remark	QTY KIT
501 93 71-01	HOLDER		1
501 93 72-01	SPACER		1
501 93 75-01	CLUTCH		1
501 93 83-01	BALL		1
501 93 84-01	WASHER		1
501 93 85-01	RIVET		1
735 31 30-10	CIRCLIP		1
738 22 00-15	BALL BEARING		1

**F**



HANDLE

400 H, 1990-01

Part No	Description	Remark	QTY KIT
501 93 50-01	HANDLE		1
501 93 51-01	HAND GUARD		1
725 53 68-01	SCREW IHSCM		1
735 11 53-51	SPRING WASHER		1