

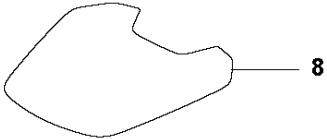
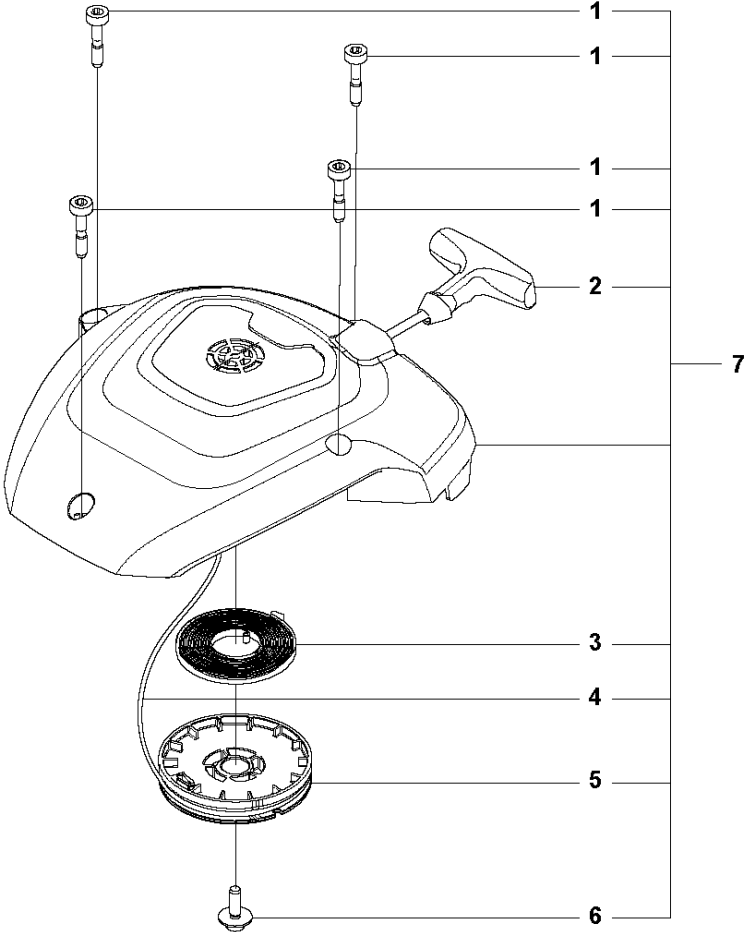


SPARE PARTS LIST

HEDGE TRIMMERS/POLE HEDGE
TRIMMERS

522 HS75 X

A 522HS75X
STARTER

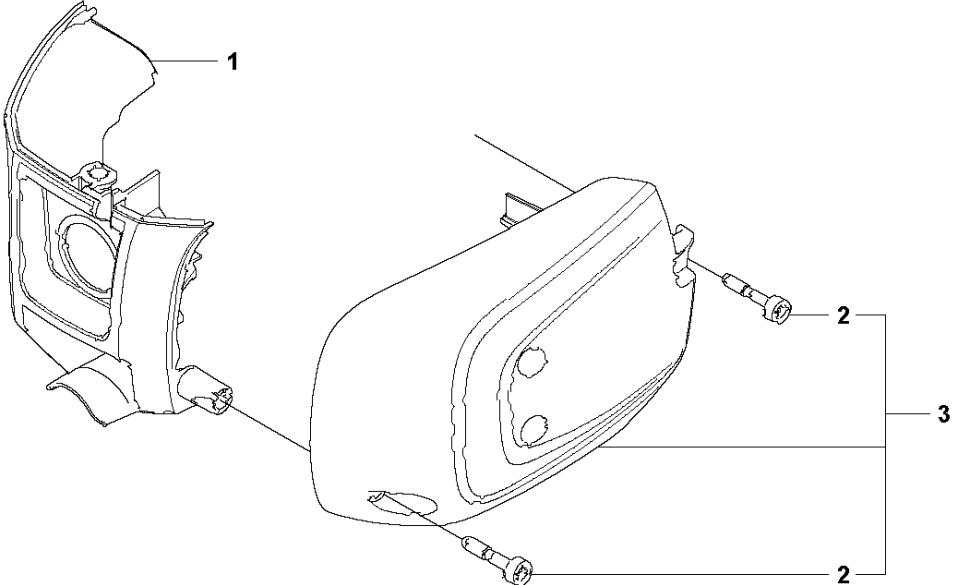


STARTER

522 HS75 X

Ref	Part No	Description	Remark	QTY	KIT
1	504 08 80-01	SCREW ITXSCM		4	7
2	575 48 95-01	STARTER HANDLE		1	7
3	575 89 64-01	SPRING		1	7
4	574 28 69-02	STARTER CORD		1	7
5	590 04 90-01	STARTER PULLEY		1	7
6	577 22 61-02	SCREW ITXSCT		1	7
7	597 02 89-01	STARTER ASSY		1	
8	593 88 89-08	LABEL	522HS75X	1	

B 522HS75X
CYLINDER COVER

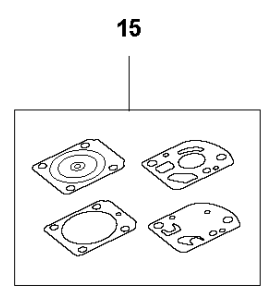
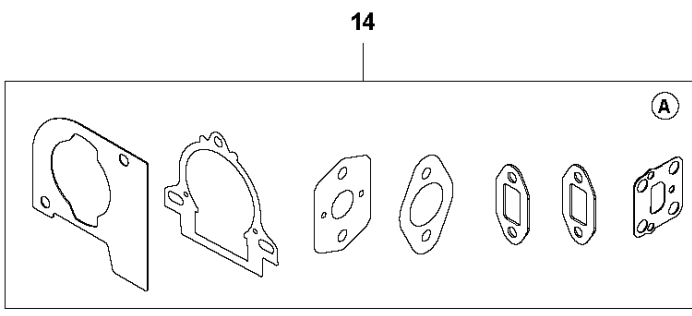
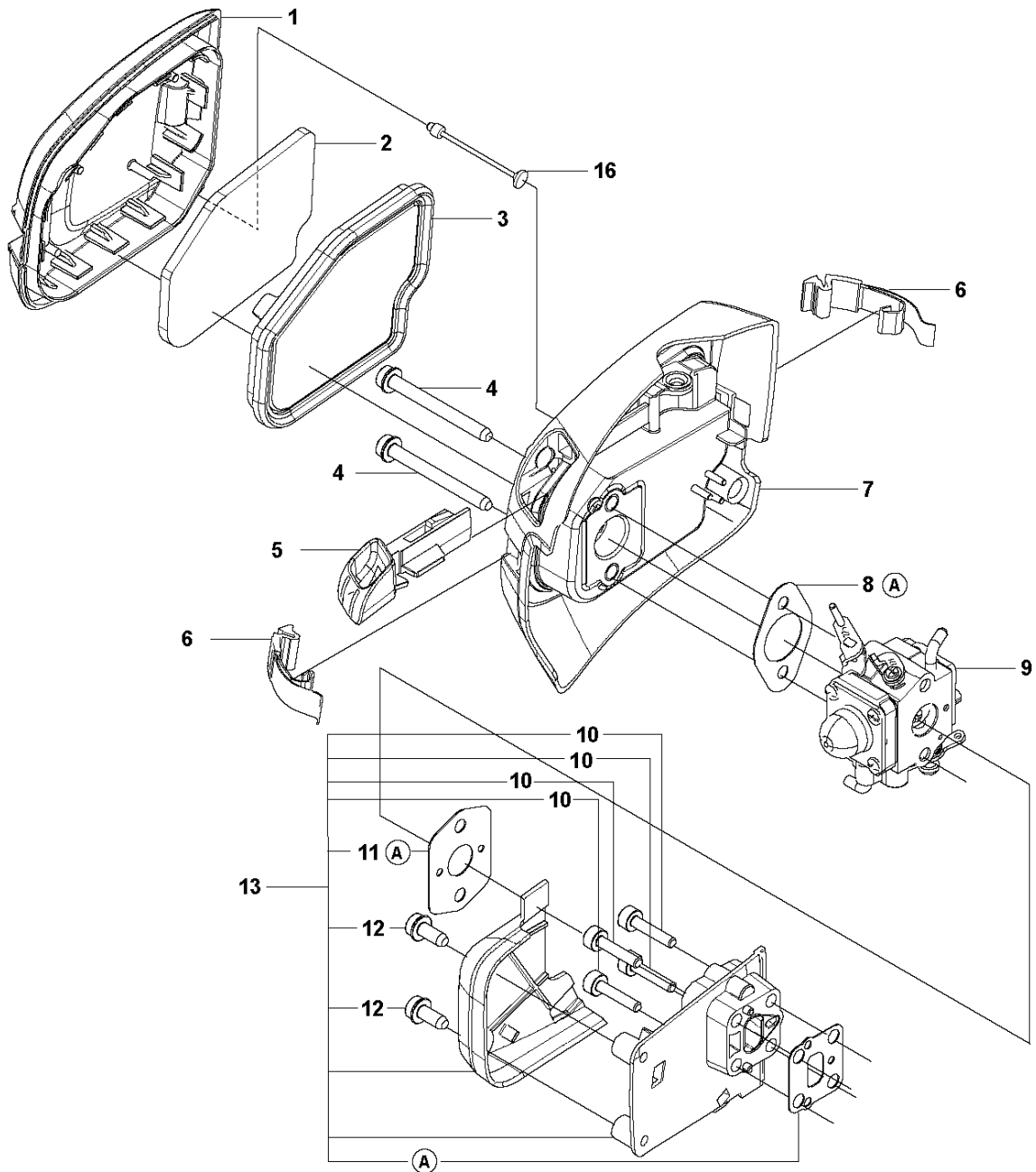


CYLINDER COVER

522 HS75 X

Ref	Part No	Description	Remark	QTY	KIT
1	590 04 99-01	CYLINDER COVER		1	
2	504 08 80-01	SCREW ITXSCM		2	3
3	597 02 06-01	HEAT PROTECTOR		1	

C 522HS75X
CARBURETOR & AIRFILTER

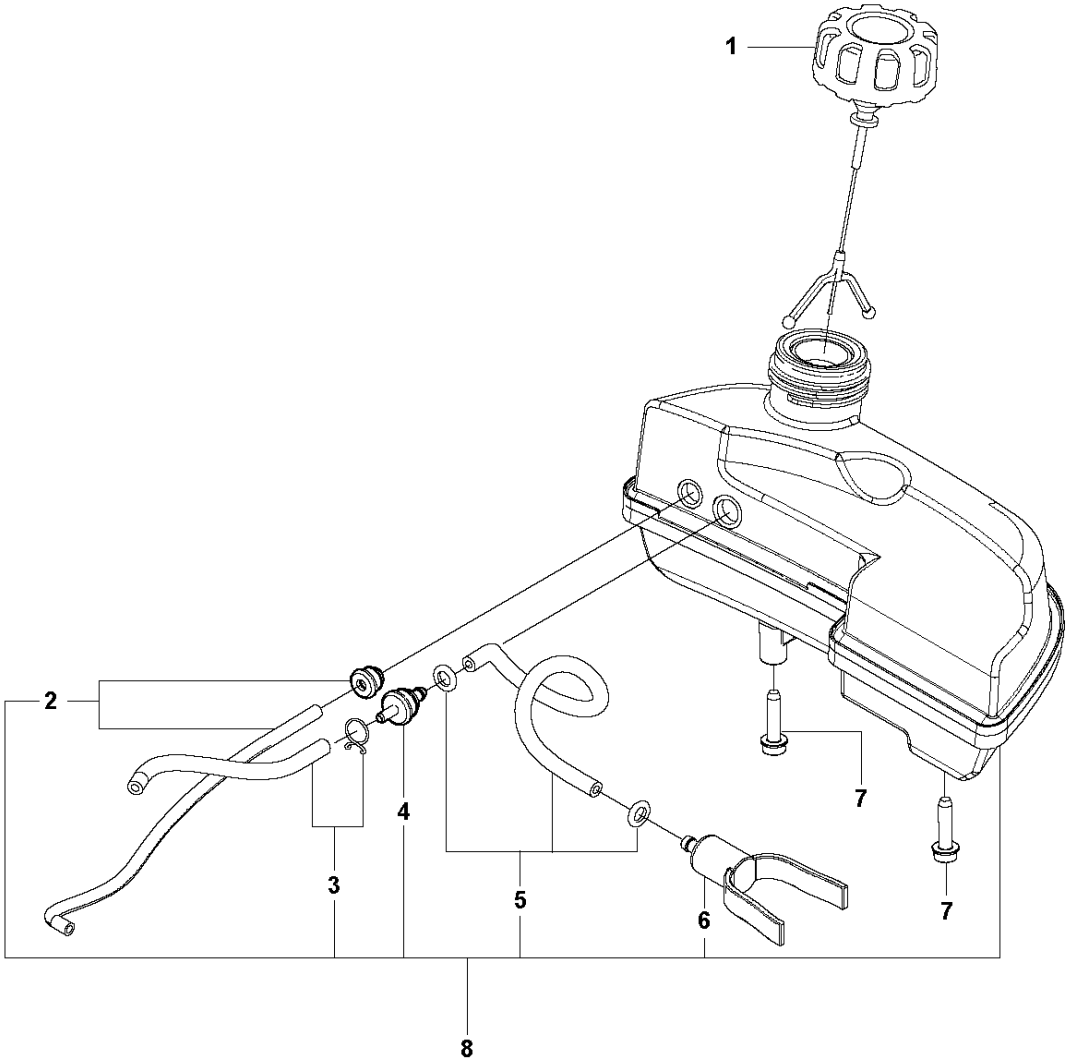


CARBURETOR & AIR FILTER

522 HS75 X

Ref	Part No	Description	Remark	QTY KIT	
1	590 04 78-01	FILTER COVER		1	
2	590 04 80-01	AIR FILTER		1	
3	590 04 05-01	FILTER		1	
4	573 92 58-02	SCREW ITXSCFT		2	
5	590 04 16-01	CHOKE		1	
6	503 74 01-02	SNAP LOCKING		2	
7	590 04 76-01	FILTER HOLDER ASSY		1	
8	577 88 24-02	GASKET		1	14
9	596 65 83-01	CARBURETTOR		1	
10	525 76 09-04	SCREW ITXSCM		4	13
11	525 54 85-01	GASKET		1	13, 14
12	573 92 58-05	SCREW ITXSCFT		2	13
13	597 02 90-01	MANIFOLD		1	
14	597 02 10-01	GASKET KIT		1	
15	588 98 60-01	CARBURETTOR KIT	CARBURETTOR	1	
16	590 74 01-01	SNAP LOCKING		1	

D 522HS75X
FUEL TANK

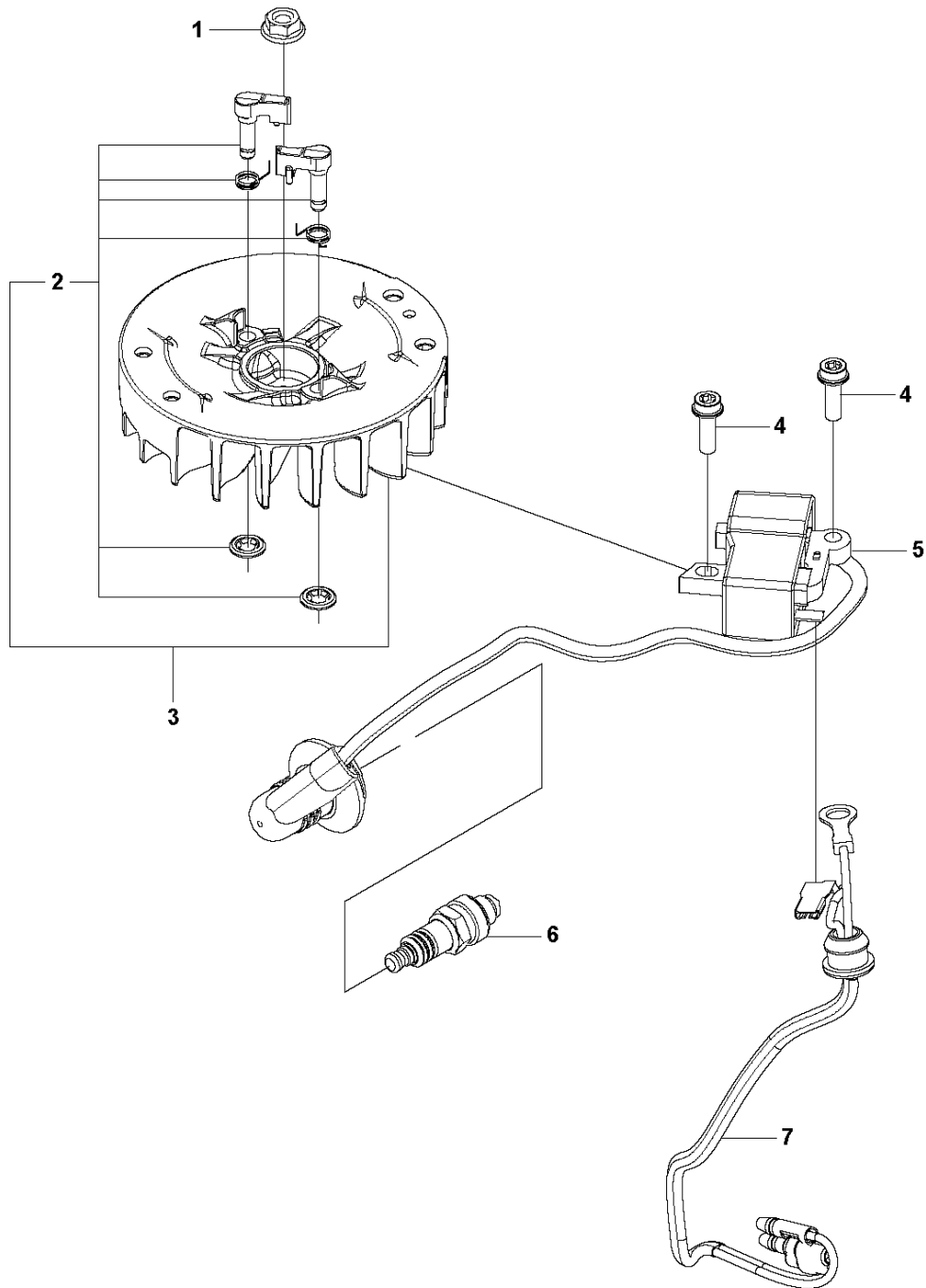


FUEL TANK

522 HS75 X

Ref	Part No	Description	Remark	QTY	KIT
1	504 11 32-01	TANK CAP		1	
2	597 02 12-01	HOSE KIT		1	8
3	597 02 13-01	HOSE KIT		1	8
3	597 02 13-02	HOSE KIT		1	8
4	578 29 56-01	HOSE NIPPLE		1	8
5	597 02 14-01	HOSE KIT		1	8
6	574 60 39-01	FUEL FILTER		1	8
7	521 51 81-01	SCREW		2	
8	597 02 15-01	FUEL TANK KIT		1	

E 522HS75X
IGNITION SYSTEM

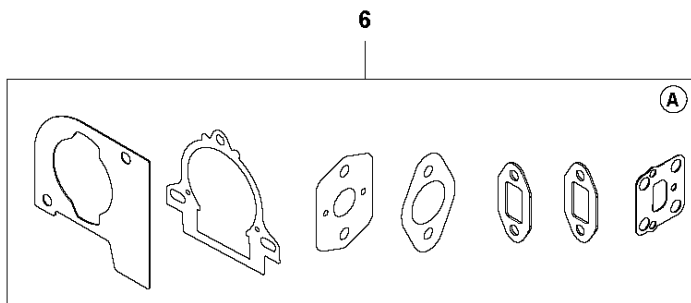
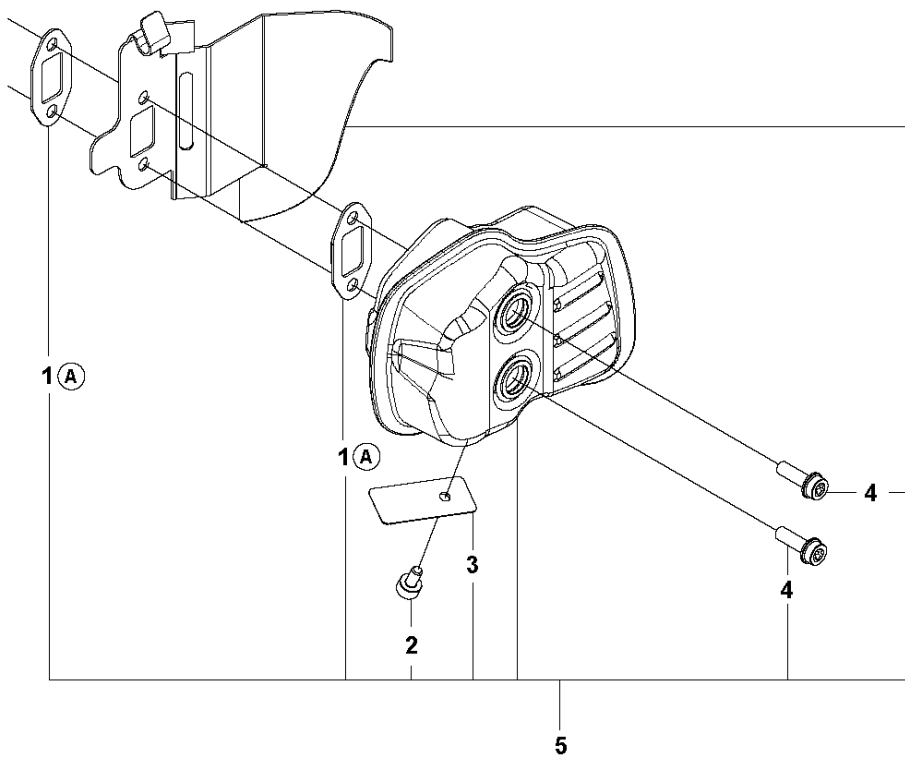


IGNITION SYSTEM

522 HS75 X

Ref	Part No	Description	Remark	QTY	KIT
1	731 71 16-51	HEXAGON NUT FLANGE		1	
2	597 02 93-01	SCREW KIT		1	3
3	525 73 95-01	FLYWHEEL ASSY		1	
4	525 75 51-01	SCREW ITXSCFM		2	
5	585 07 40-02	IGNITION MODULE		1	
6	503 23 54-01	SPARK PLUG		1	
7	574 48 89-04	SHORT CIRCUIT CABLE		1	

F 522HS75X
MUFFLER

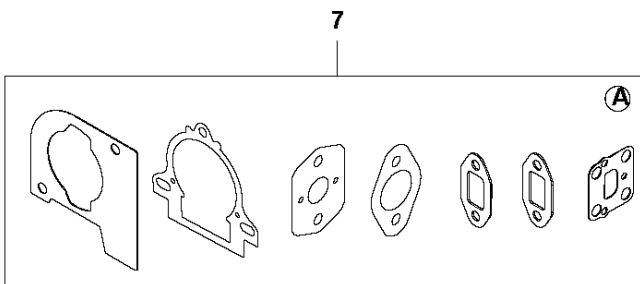
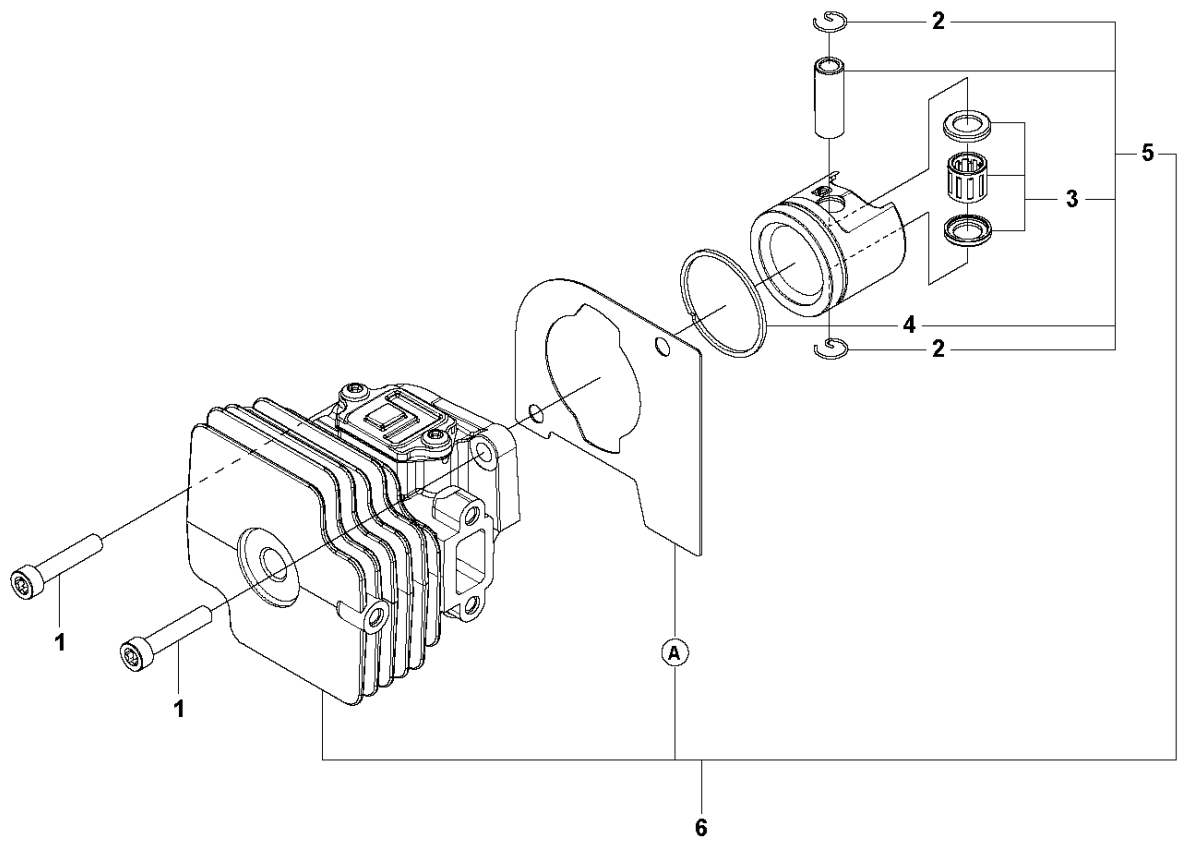


MUFFLER

522 HS75 X

Ref	Part No	Description	Remark	QTY	KIT
1	522 99 73-01	GASKET		2	5, 6
2	504 08 79-01	SCREW ITXSCM		1	5
3	525 74 16-01	SPARK ARRESTER		1	5
4	525 75 51-01	SCREW ITXSCFM		2	5
5	593 87 64-01	MUFFLER ASSY		1	
6	597 02 10-01	GASKET KIT		1	

G 522HS75X
CYLINDER & PISTON

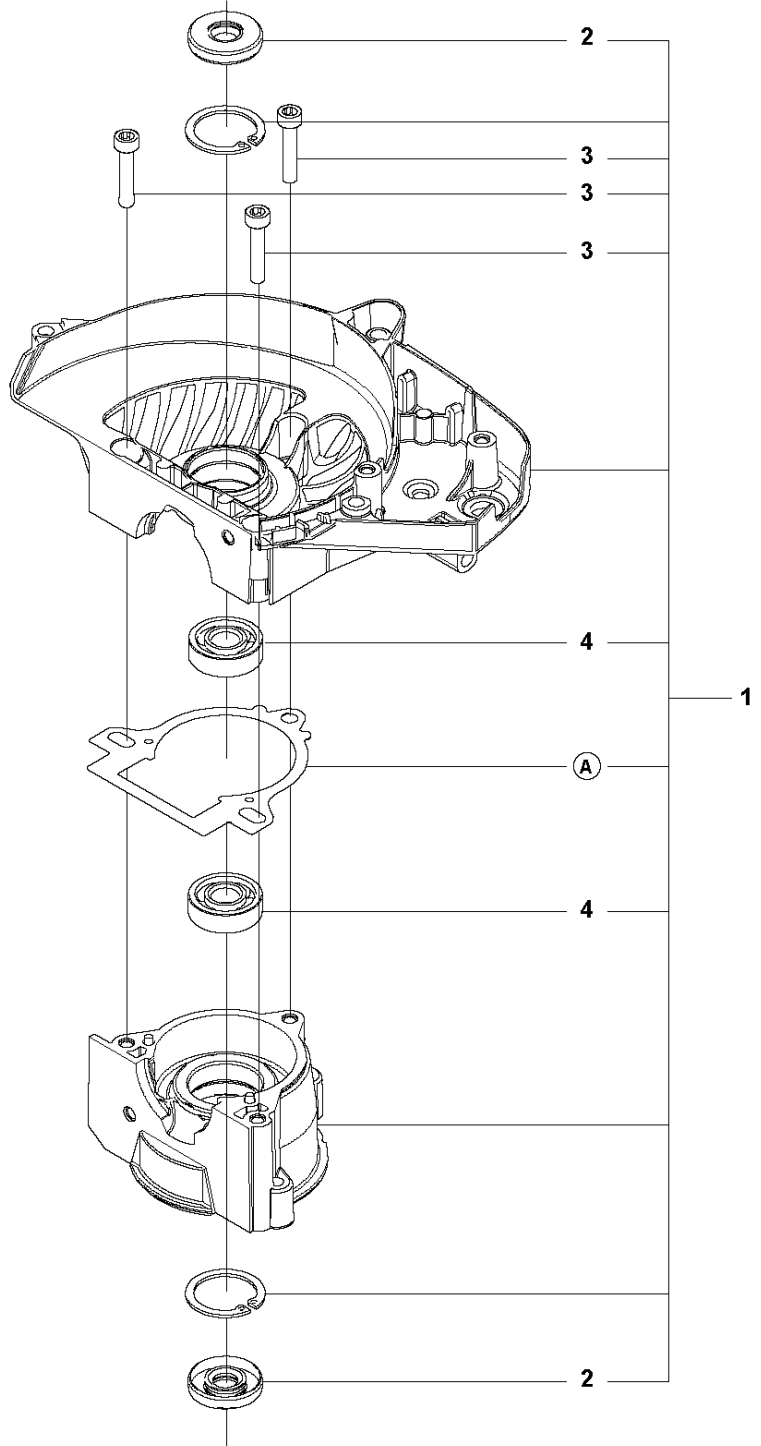


CYLINDER PISTON

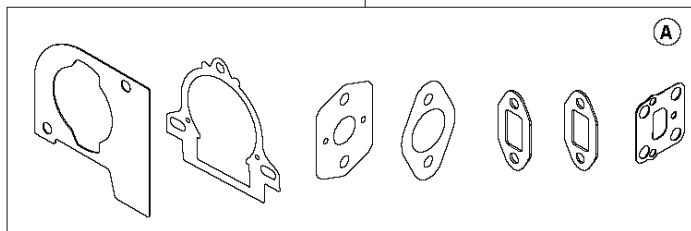
522 HS75 X

Ref	Part No	Description	Remark	QTY	KIT
1	525 82 50-01	SCREW ITXSCM		2	
2	737 44 08-00	CIRCLIP		2	5, 6
3	597 29 22-01	BEARING KIT		1	5, 6
4	505 15 58-02	PISTON RING		1	5, 6
5	510 22 36-04	PISTON ASSY		1	6
6	597 02 44-01	CYLINDER ASSY		1	
7	597 02 10-01	GASKET KIT		1	

H 522HS75X
CRANKCASE



5

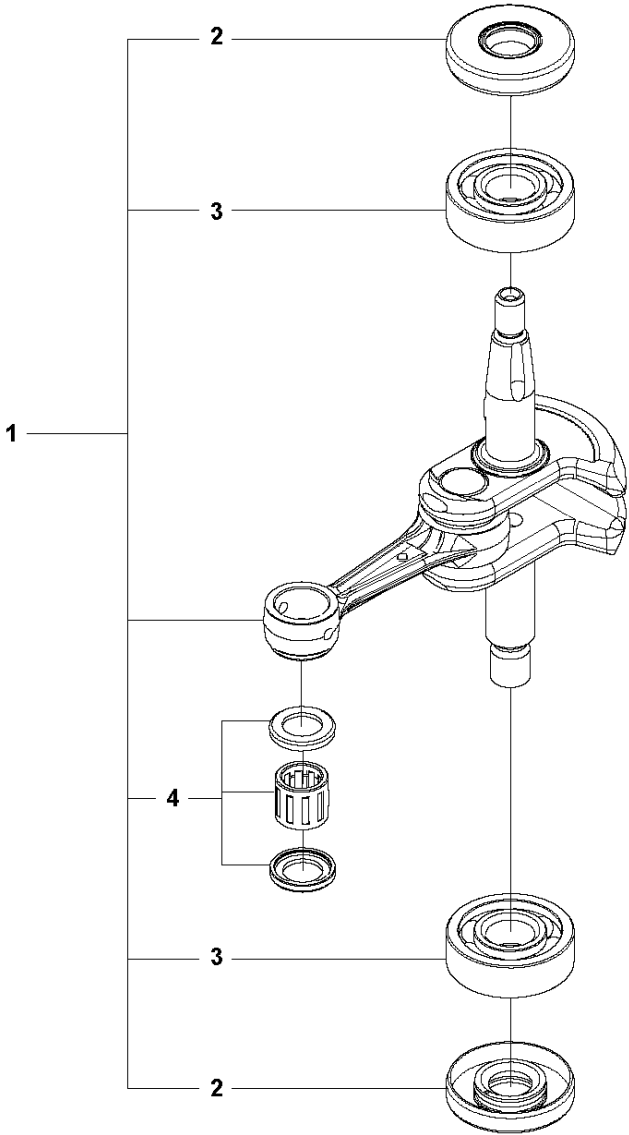


CRANKCASE

522 HS75 X

Ref	Part No	Description	Remark	QTY	KIT
1	597 02 36-01	CRANKCASE ASSY		1	
2	525 63 73-01	SEALING RING		2	1
3	525 82 50-01	SCREW ITXSCM		3	1
4	525 72 84-01	BALL BEARING		2	1
5	597 02 10-01	GASKET KIT		1	

**522HS75X
CRANK SHAFT**

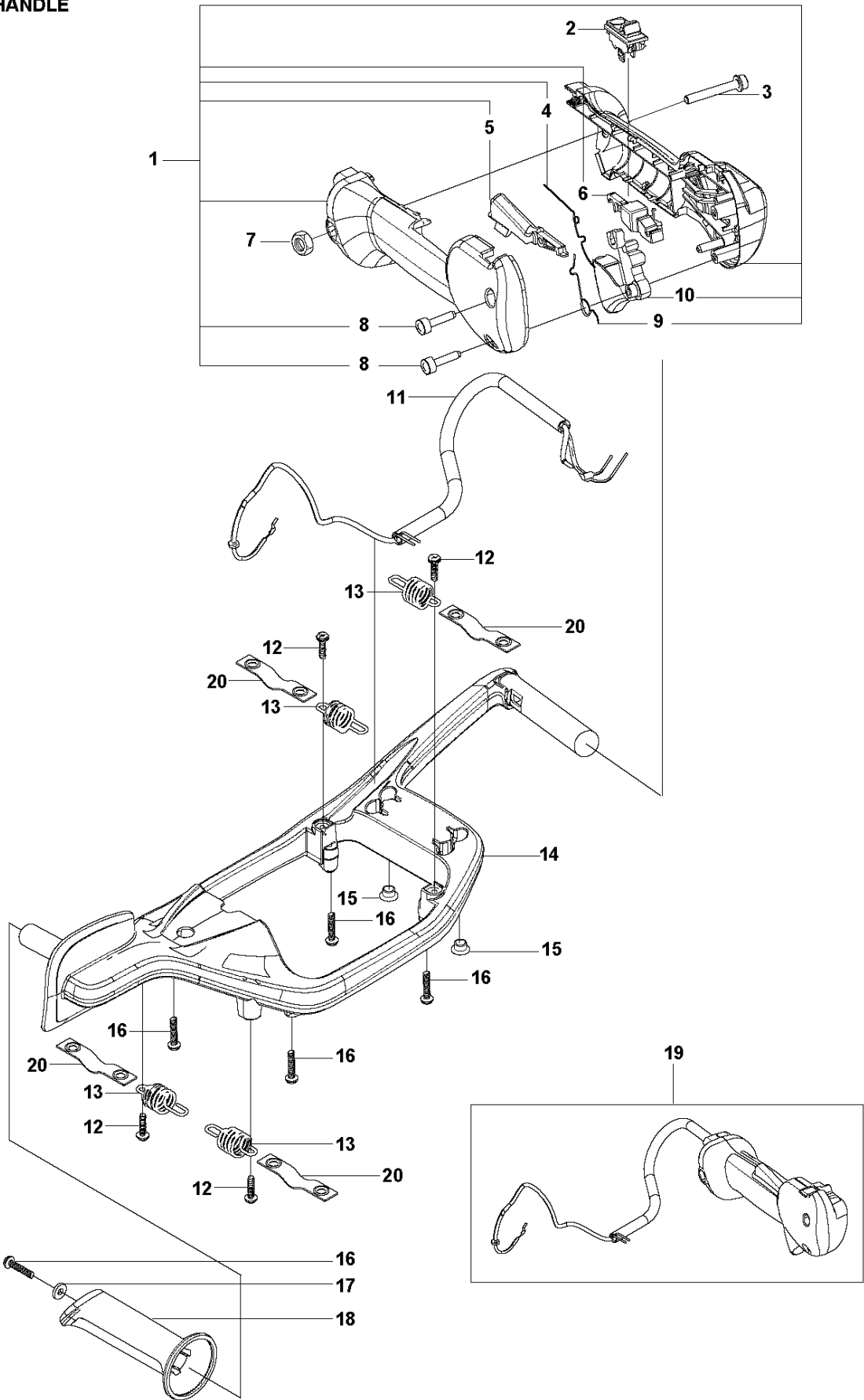


CRANKSHAFT

522 HS75 X

Ref	Part No	Description	Remark	QTY	KIT
1	577 67 00-02	CRANKSHAFT KIT		1	
2	525 63 73-01	SEALING RING		2	1
3	525 72 84-01	BALL BEARING		2	1
4	575 50 49-01	NEEDLE BEARING		1	1

J 522HS75X
HANDLE

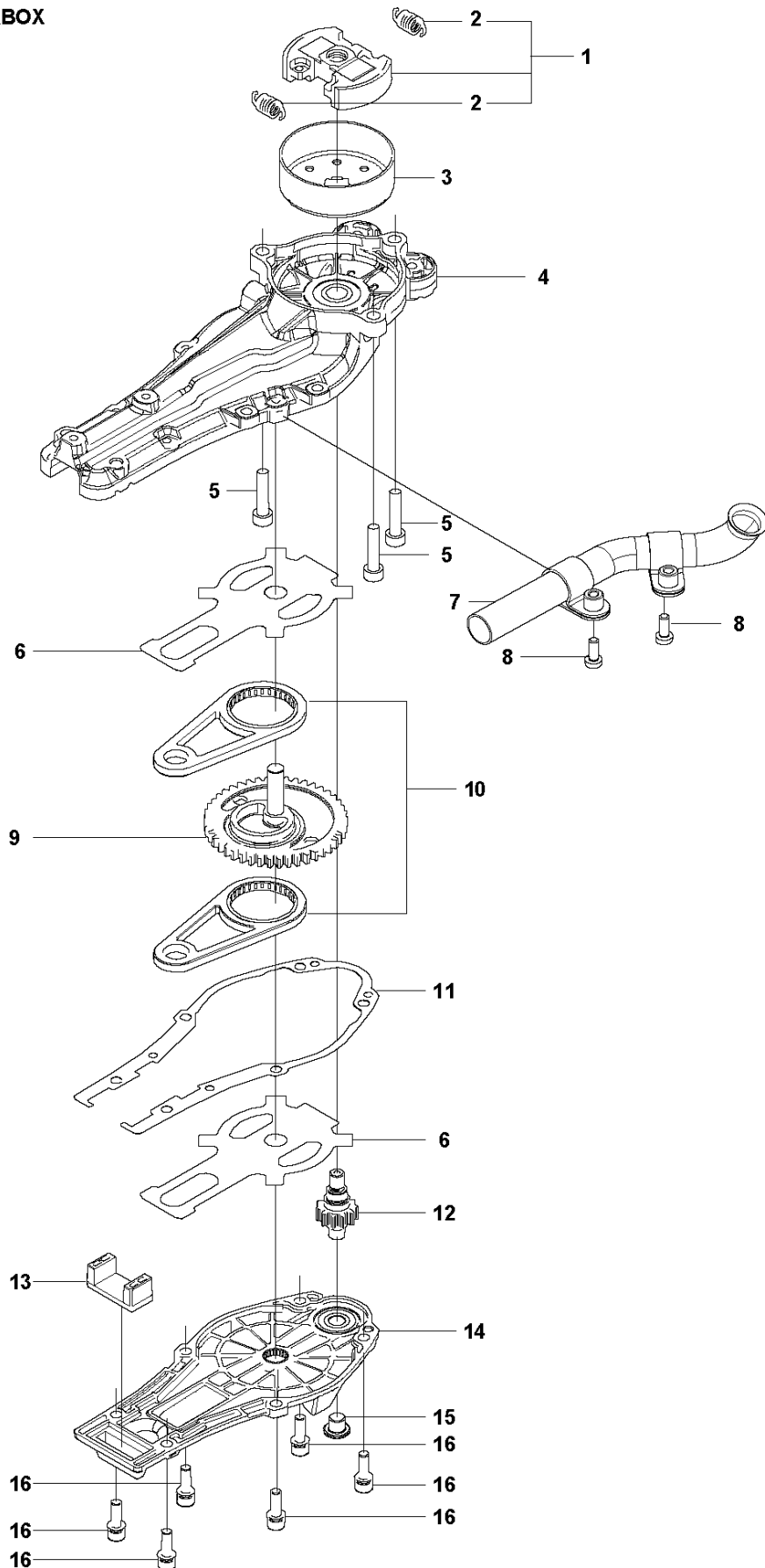


HANDLE & CONTROLS

522 HS75 X

Ref	Part No	Description	Remark	QTY	KIT
1	577 07 19-10	THROTTLE HANDLE ASSY		1	19
2	537 41 90-01	SWITCH		1	19
3	503 20 07-82	SCREW IHSCFM		1	19
4	537 17 43-01	SPRING		1	1, 19
5	506 49 51-01	THROTTLE LOCKOUT		1	1, 19
6	585 06 59-01	BUTTON		1	1, 19
7	503 22 10-13	HEXAGON NUT		1	19
8	503 21 66-74	SCREW IHSCT		1	1, 19
9	537 17 42-01	SPRING THROTTLE TRIG		1	1, 19
10	506 49 50-01	THROTTLE CONTROL		1	1, 19
11	592 72 69-02	WIRE		1	19
12	512 84 56-01	BOLT		4	
13	590 64 79-01	SPRING		4	
14	593 96 89-01	FRAME ASSY		1	
15	544 10 58-03	TUBULAR RIVET		2	
16	521 51 81-01	SCREW		5	
17	503 23 00-35	WASHER		1	
18	591 47 10-01	HANDLE GRIP		1	
19	577 07 19-09	THROTTLE HANDLE ASSY		1	
20	599 48 41-01	STRAP		4	

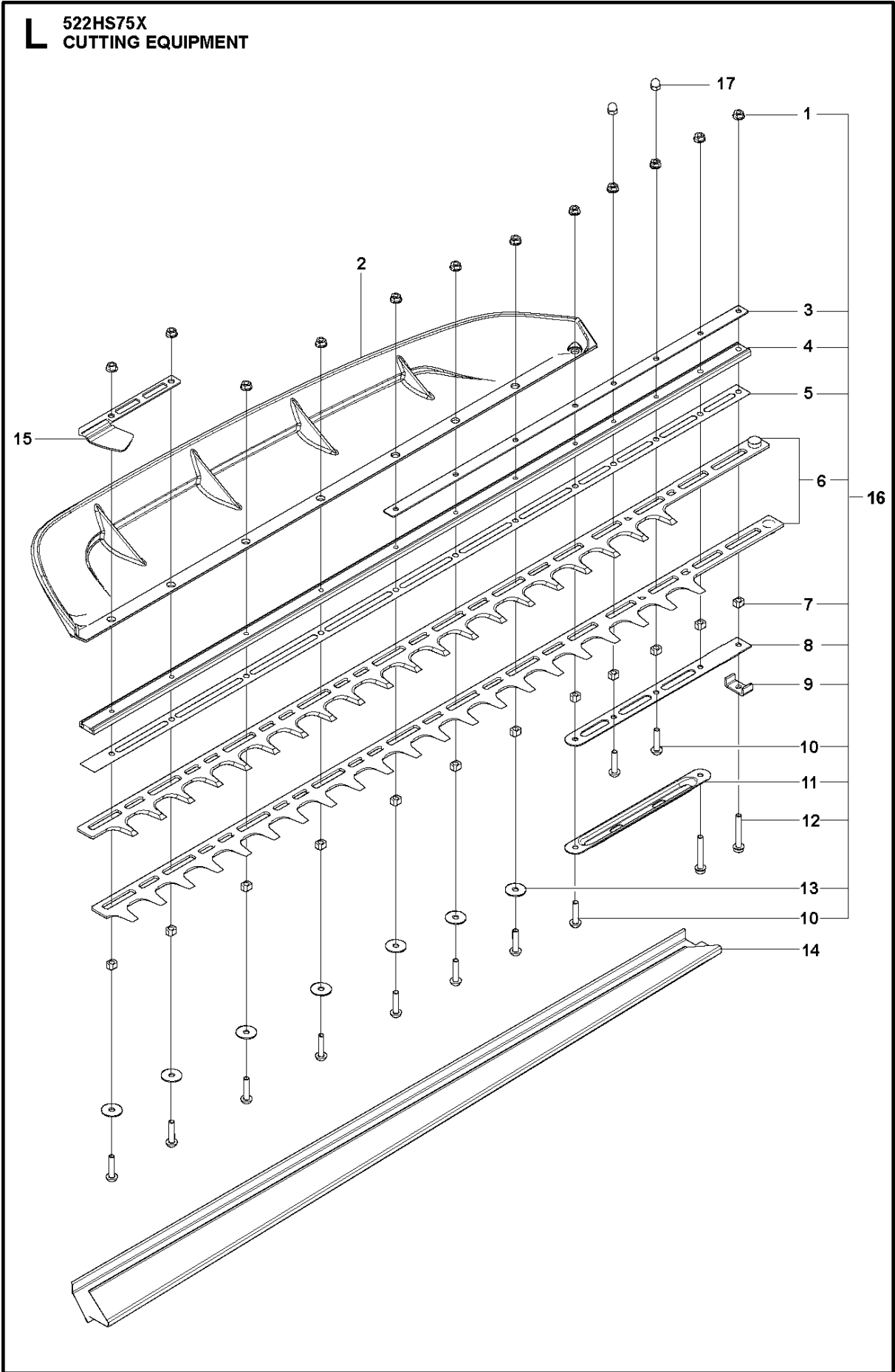
K 522HS75X
CLUTCH & GEARBOX



GEAR HOUSING

522 HS75 X

Ref	Part No	Description	Remark	QTY	KIT
1	512 35 90-02	CLUTCH ASSY		1	
2	590 81 96-01	CLUTCH SPRING		2	1
3	590 53 64-02	CLUTCH DRUM		1	
4	597 37 17-01	GEAR HOUSING ASSY		1	
5	544 21 84-03	SCREW ITXSCM		3	
6	590 53 69-01	PLATE		1	
7	591 04 69-01	EXHAUST PIPE ASSY		1	
8	525 75 51-01	SCREW ITXSCFM		2	
9	593 65 15-01	GEAR		1	
10	597 02 17-01	ROD		1	
11	590 53 77-01	GASKET		1	
12	590 53 67-01	GEAR		1	
13	590 53 71-01	SEALING		1	
14	597 37 18-01	GEAR HOUSING ASSY		1	
15	590 64 94-01	SCREW PLUG		1	
16	575 70 10-01	SCREW		6	

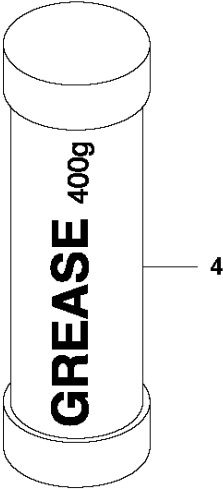
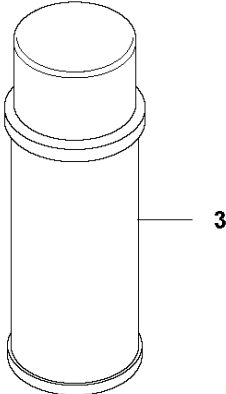
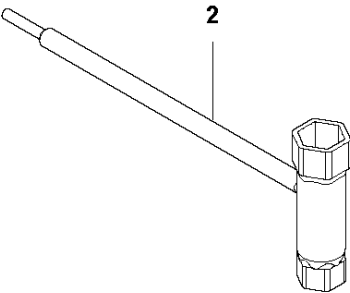
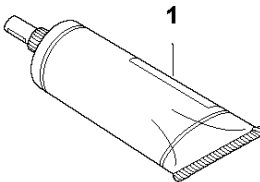


CUTTING EQUIPMENT

522 HS75 X

Ref	Part No	Description	Remark	QTY	KIT
1	592 75 13-01	NUT		12	16
2	590 34 01-01	PLATE		1	
3	592 84 87-01	BAR PLATE		1	16
4	590 32 71-02	GUIDE BAR		1	16
5	590 32 76-01	WEAR PLATE		1	16
6	597 02 37-01	BLADE KIT		1	16
7	592 65 43-01	SPACER		12	16
8	590 32 82-01	BAR PLATE		1	16
9	590 33 93-01	BRACKET		1	16
10	592 73 25-01	SCREW		10	16
11	592 88 94-01	BAR PLATE		1	16
12	525 75 51-09	SCREW ITXSCFM		2	16
13	592 73 81-01	WASHER		7	16
14	590 71 30-01	TRANSPORT GUARD		1	
15	590 71 27-01	PROTECTION		1	
16	597 25 43-05	CUTTING DECK KIT		1	
17	599 85 96-01	CAP NUT		2	

M 522HS75X
ACCESSORIES



ACCESSORIES

522 HS75 X

Ref	Part No	Description	Remark	QTY KIT
1	587 29 99-01	GREASE		1
2	575 73 82-01	COMBINATION WRENCH		1
3	544 14 21-01	GREASE	UL21	1
4	588 81 48-01	GREASE		1