

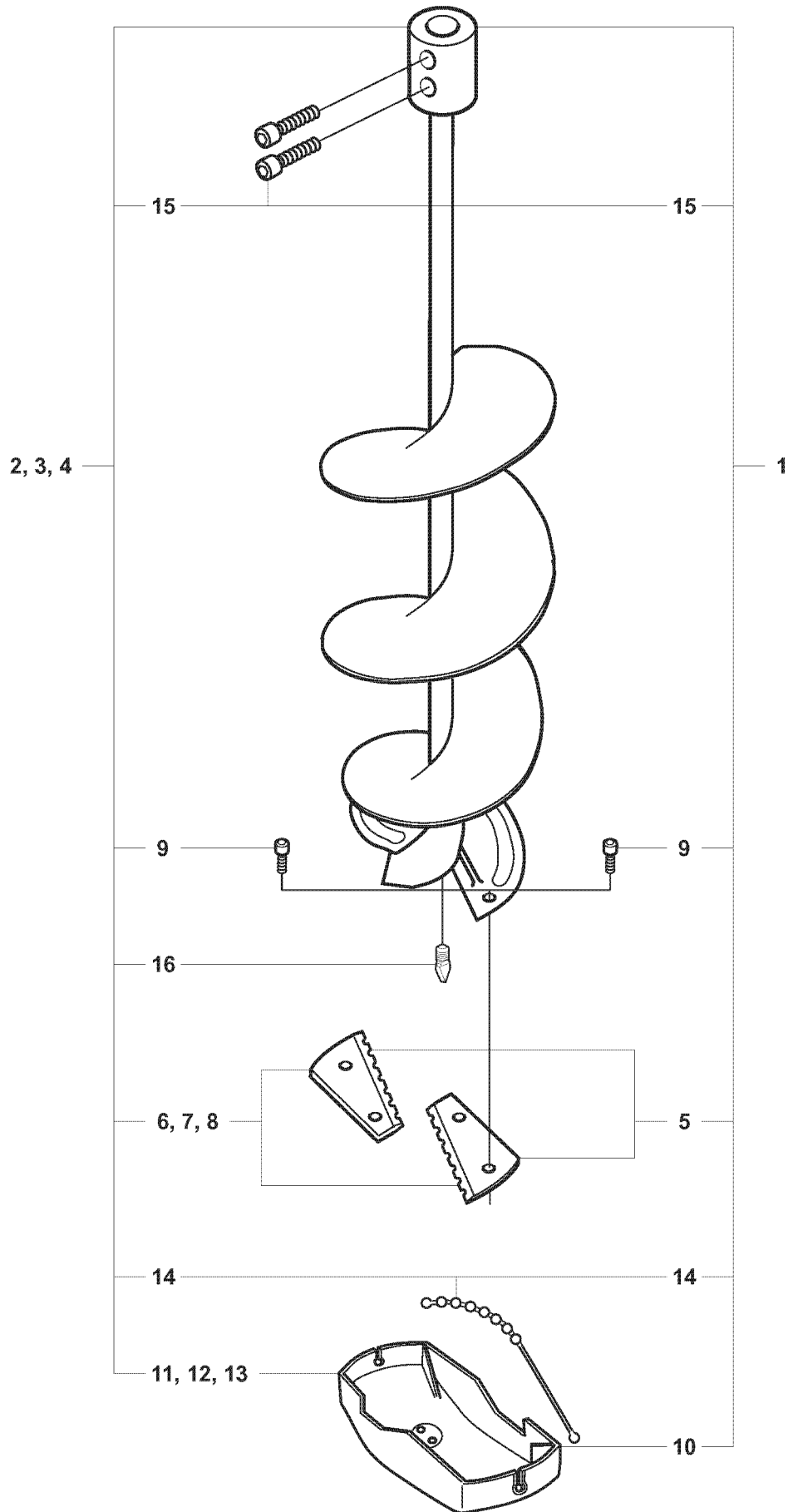


SPARE PARTS LIST

ICE AUGERS

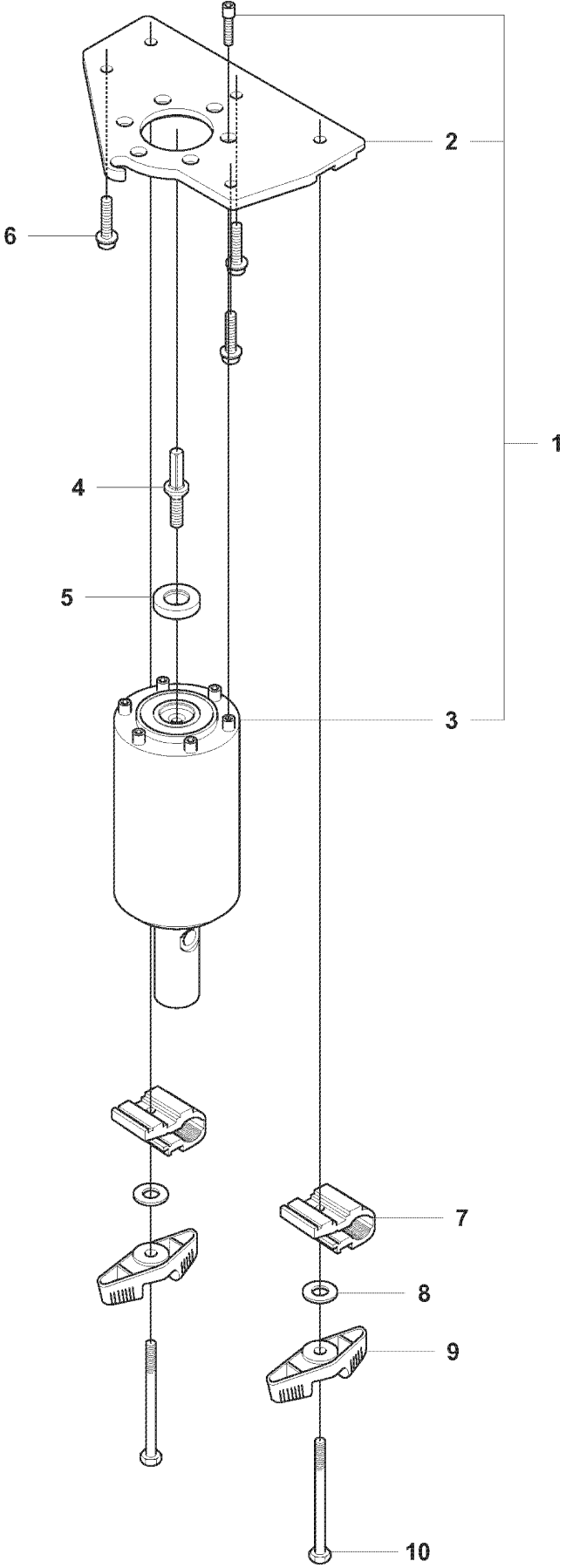
326 AI 25

A



Ref	Part No	Description	Remark	QTY KIT
1	531 00 75-01	DRILL	130mm	1
2	531 00 75-02	DRILL	150MM	1
3	531 00 75-03	DRILL	200MM	1
4	531 00 75-04	DRILL	250MM	1
5	531 00 75-05	CUTTING BLADE	130mm	2
6	531 00 75-06	CUTTING BLADE	150MM	2
7	531 00 75-07	CUTTING BLADE	200MM	2
8	531 00 75-08	CUTTING BLADE	250MM	2
9	537 03 87-01	SCREW		4
10	537 03 54-01	GUARD	130mm	1
11	537 03 55-01	GUARD	150MM	1
12	537 03 56-01	GUARD	200MM	1
13	537 03 57-01	GUARD	250MM	1
14	537 03 58-01	STRAP		1
15	725 54 55-01	SCREW IHSCM		2
16	531 00 69-83	DRILL		1

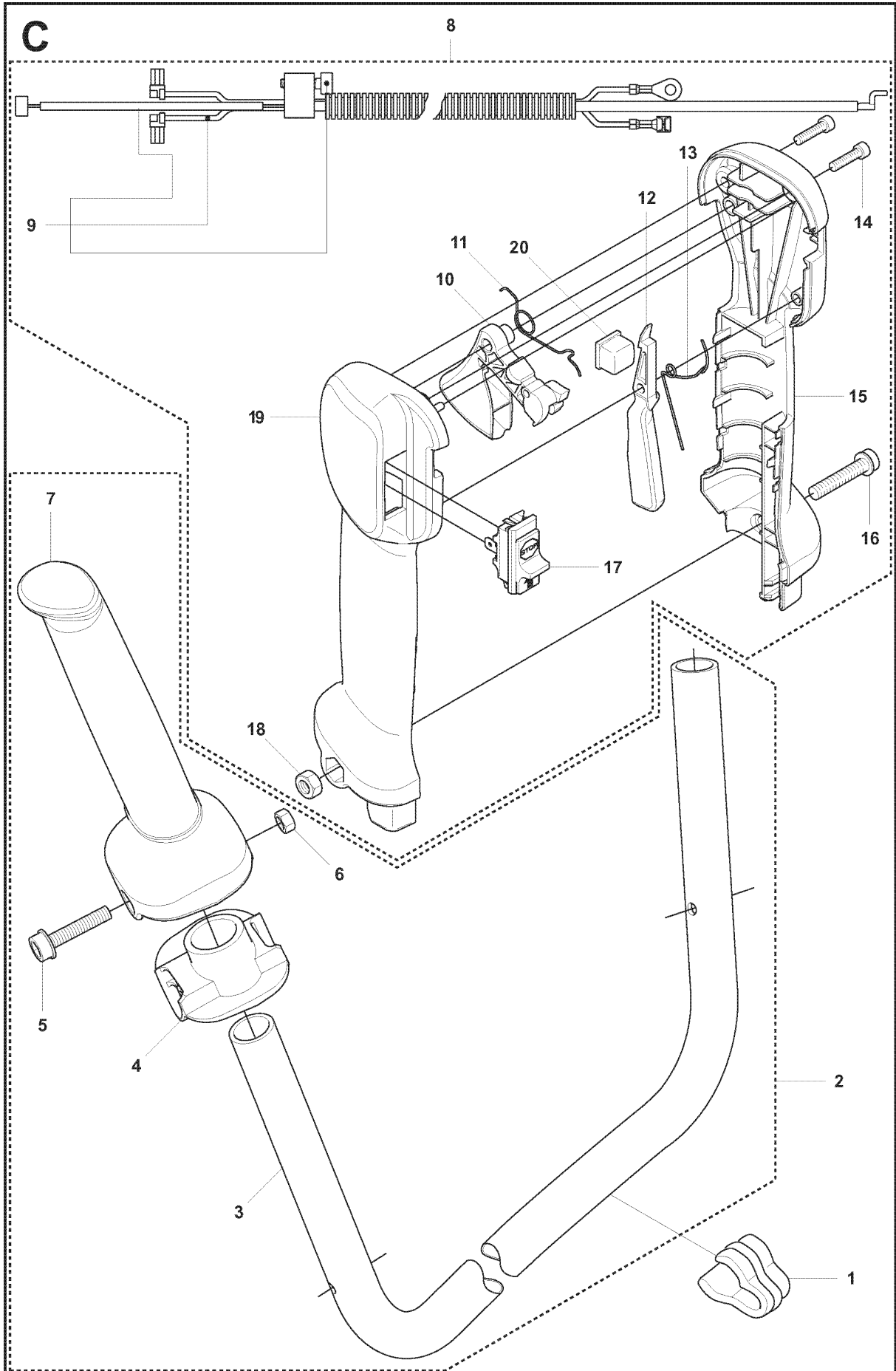
B



CLUTCH

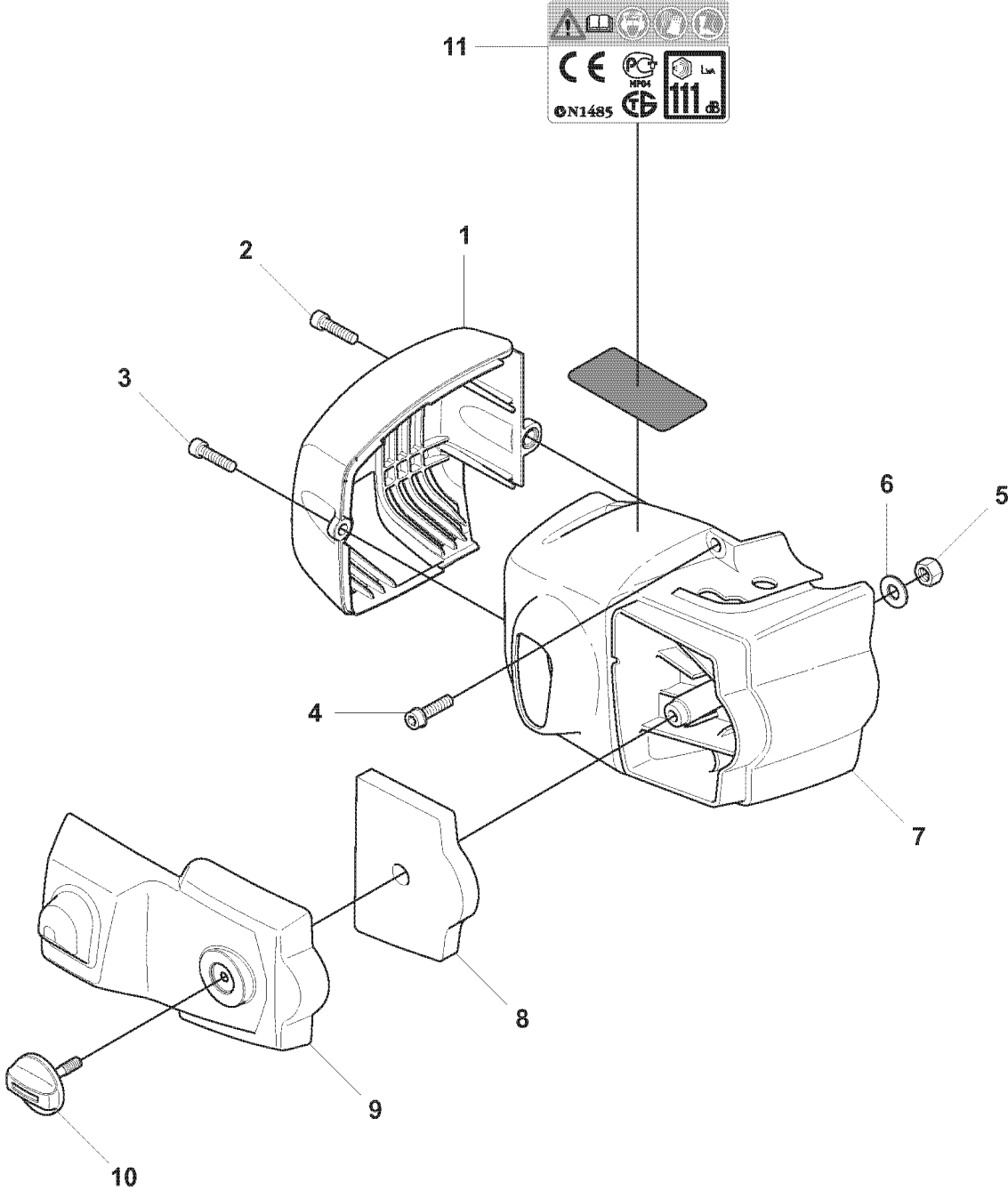
326 AI 25

Ref	Part No	Description	Remark	QTY KIT
1	502 49 12-01	GEAR ASSY		1
2	544 92 49-01	BACKING PLATE		1
3	503 97 76-02	GEAR		1
4	544 92 51-01	DRIVE SHAFT		1
5	544 92 50-01	WASHER		1
6	503 20 02-16	SCREW IHSCFM		3
7	544 02 09-02	CLIP		2
8	503 23 00-24	WASHER		2
9	502 20 38-01	KNOB		2
10	725 23 79-51	SCREW EHHM		2



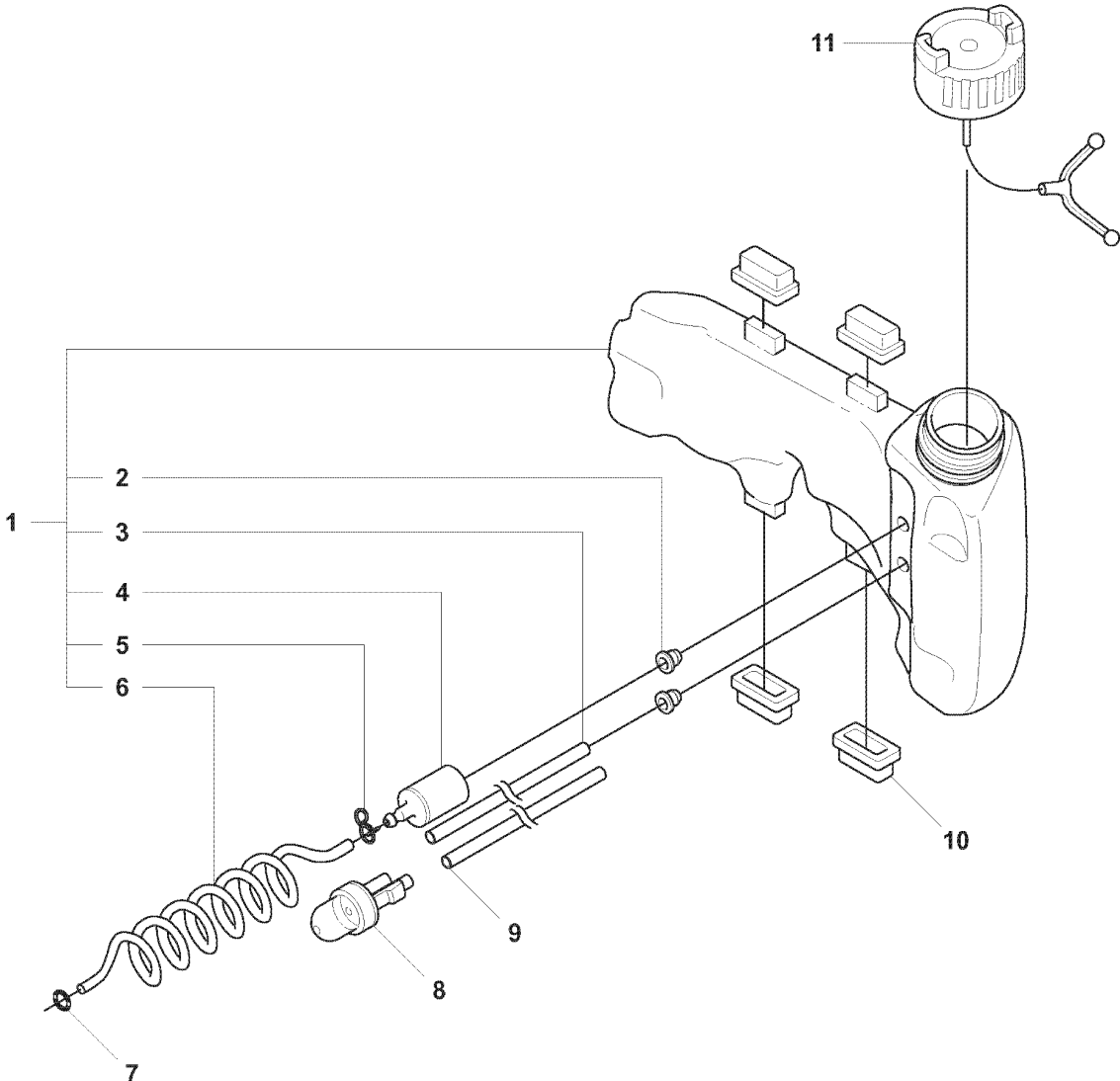
Ref	Part No	Description	Remark	QTY KIT
1	502 21 12-01	STAPLE		1
2	504 54 44-01	HANDLEBAR ASSY		1
3	504 53 71-01	HANDLEBAR		1
4	537 17 29-01	COVER		1
5	503 20 02-45	SCREW IHSCFM		1
6	731 23 14-01	HEXAGON NUT		1
7	537 17 28-01	HANDLE		1
8	537 42 45-10	HANDLE SYSTEM		1
9	537 42 44-02	WIRING ASSY		1
10	537 16 08-01	THROTTLE TRIGGER		1
11	537 17 42-01	SPRING THROTTLE TRIG		1
12	537 16 06-01	THROTTLE LOCKOUT		1
13	537 17 43-01	SPRING		1
14	503 21 66-18	SCREW IHSCCT		2
15	537 16 03-02	HANDLE HALF		1
16	503 20 07-35	SCREW IHSCFM		1
17	537 41 90-01	SWITCH		1
18	503 22 10-13	HEXAGON NUT		1
19	537 16 02-09	HANDLE HALF		1
20	502 44 26-01	PLUG		1

D



Ref	Part No	Description	Remark	QTY KIT
1	544 92 52-01	HEAT PROTECTOR		1
2	503 20 03-16	SCREW IHSCFM		1
3	503 21 75-20	SCREW IHSCFT		1
4	503 20 03-16	SCREW IHSCFM		3
5	503 22 24-01	LOCK NUT		1
6	544 90 85-01	WASHER		1
7	537 06 61-02	CYLINDER COVER		1
8	537 14 31-01	AIR FILTER ASSY		1
9	540 06 08-01	FILTER COVER		1
10	537 21 32-10	KNOB		1
11	587 11 38-01	LABEL		1

E

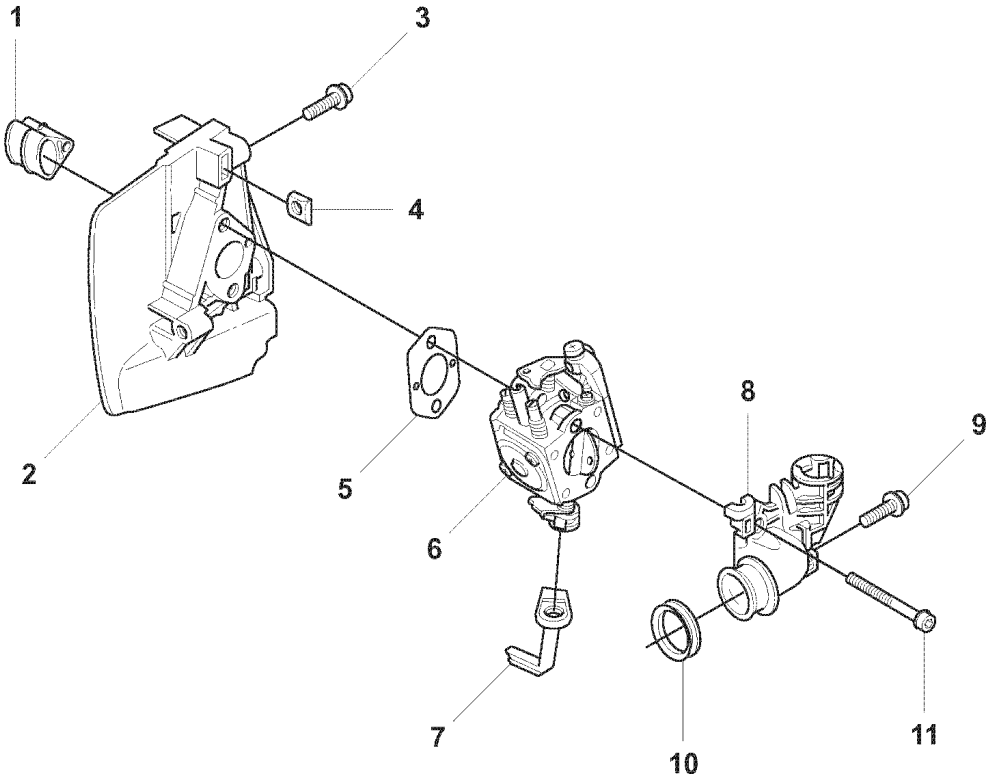


FUEL TANK

326 AI 25

Ref	Part No	Description	Remark	QTY KIT
1	537 06 86-02	FUEL TANK		1
2	503 73 58-01	BUSHING		2
3	537 04 24-01	FUEL HOSE		1
4	503 44 32-01	FUEL FILTER		1
5	504 02 24-01	HOSE CLAMP		1
6	544 32 50-01	FUEL HOSE		1
7	537 18 49-01	O-RING		1
8	503 93 66-01	PURGE		1
9	537 04 24-01	FUEL HOSE		1
10	503 91 10-01	SUSPENSION		4
11	503 91 18-02	TANK CAP		1

F

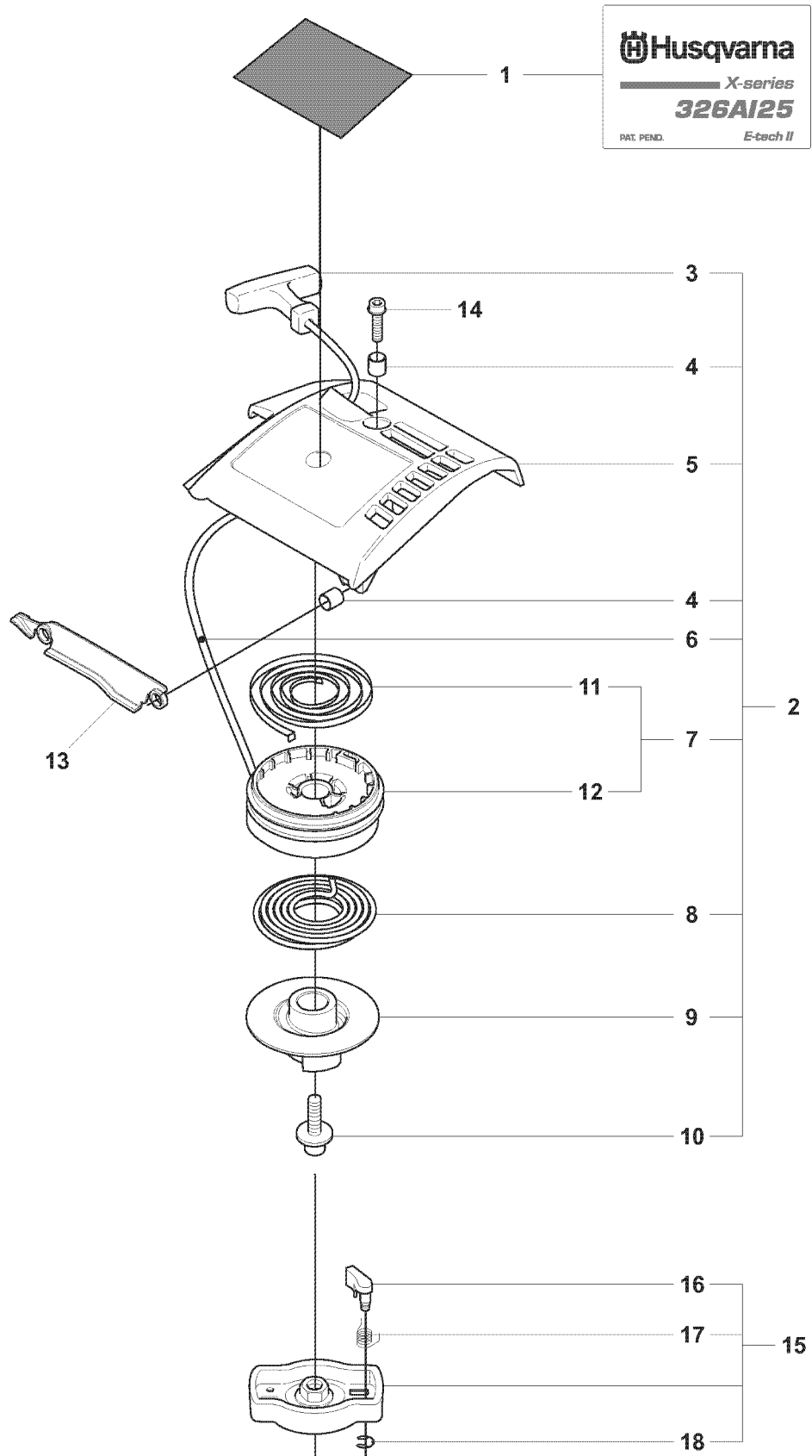


CARBURETOR & AIR FILTER

326 AI 25

Ref	Part No	Description	Remark	QTY KIT
1	503 94 26-01	INLET PIPE		1
2	503 91 09-01	INSULATION WALL		1
3	503 20 03-25	SCREW IHSCFM		1
4	503 22 65-04	SQUARE NUT		1
5	503 49 71-01	GASKET		1
6	503 28 31-13	CARBURETTOR	Zama C1Q-EL24, NOT FOR US	1
6	576 01 98-01	CARBURETTOR	Hualong HQ-2, only option for US	1
7	503 96 25-01	CHOKE CONTROL		1
8	537 05 78-01	BRACKET		1
9	503 21 77-16	SCREW IHSCFT		1
10	740 68 11-21	V-RING		1
11	503 21 75-50	SCREW IHSCFT		2

G

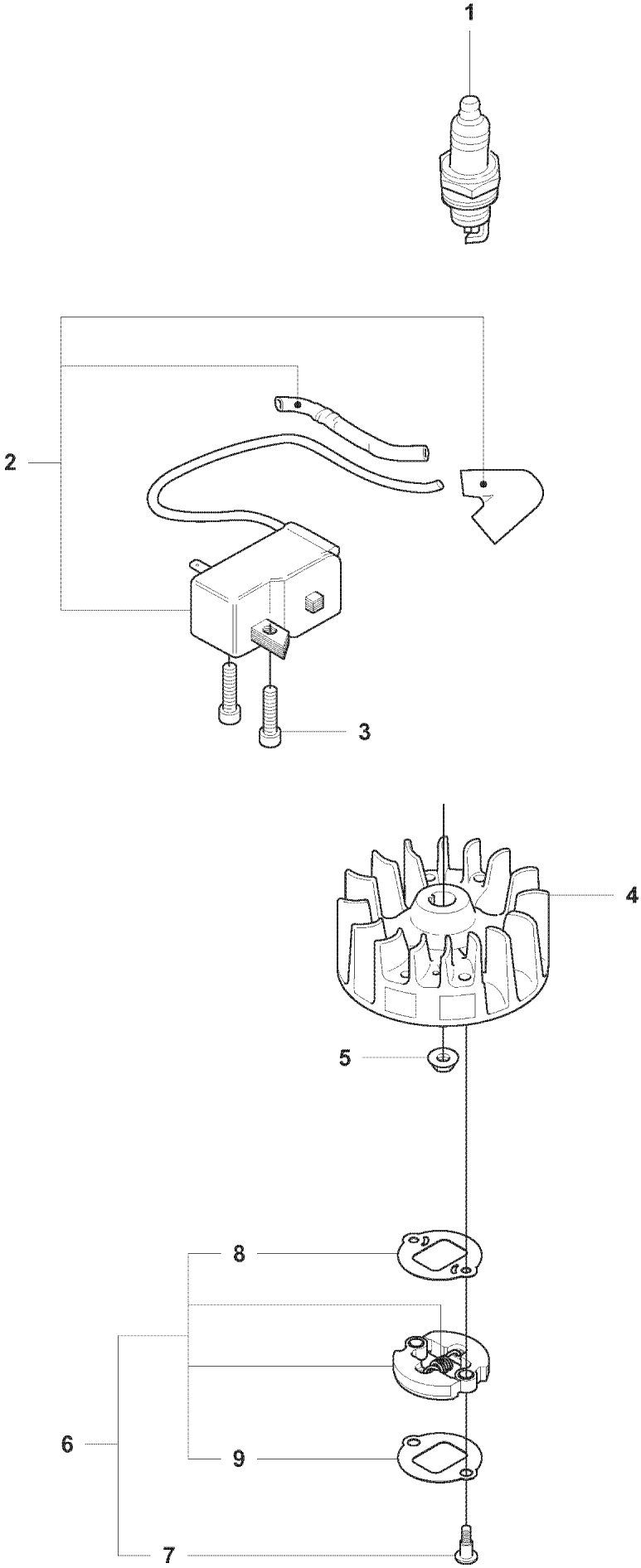


STARTER

326 AI 25

Ref	Part No	Description	Remark	QTY KIT
1	537 35 34-63	LABEL		1
2	544 00 25-02	STARTER ASSY		1
3	537 00 84-01	STARTER HANDLE		1
4	537 37 93-02	SPACING SLEEVE		3
5	544 00 24-01	STARTER HOUSING		1
6	503 85 89-01	STARTER ROPE		1
7	544 16 65-01	STARTER PULLEY ASSY		1
8	544 03 88-02	SPRING		1
9	544 03 87-02	DRIVER		1
10	503 21 77-25	SCREW IH SCT		1
11	503 85 90-01	RECOIL SPRING		1
12	544 03 86-01	STARTER PULLEY		1
13	504 02 18-01	SPACING BLOCK		1
14	503 20 03-16	SCREW IH SCFM		1
15	503 87 33-05	STARTER PAWL		1
16	503 87 35-02	STARTER PAWL		2
17	503 87 36-01	SPRING		2
18	735 31 08-20	E-CLIP		2

H

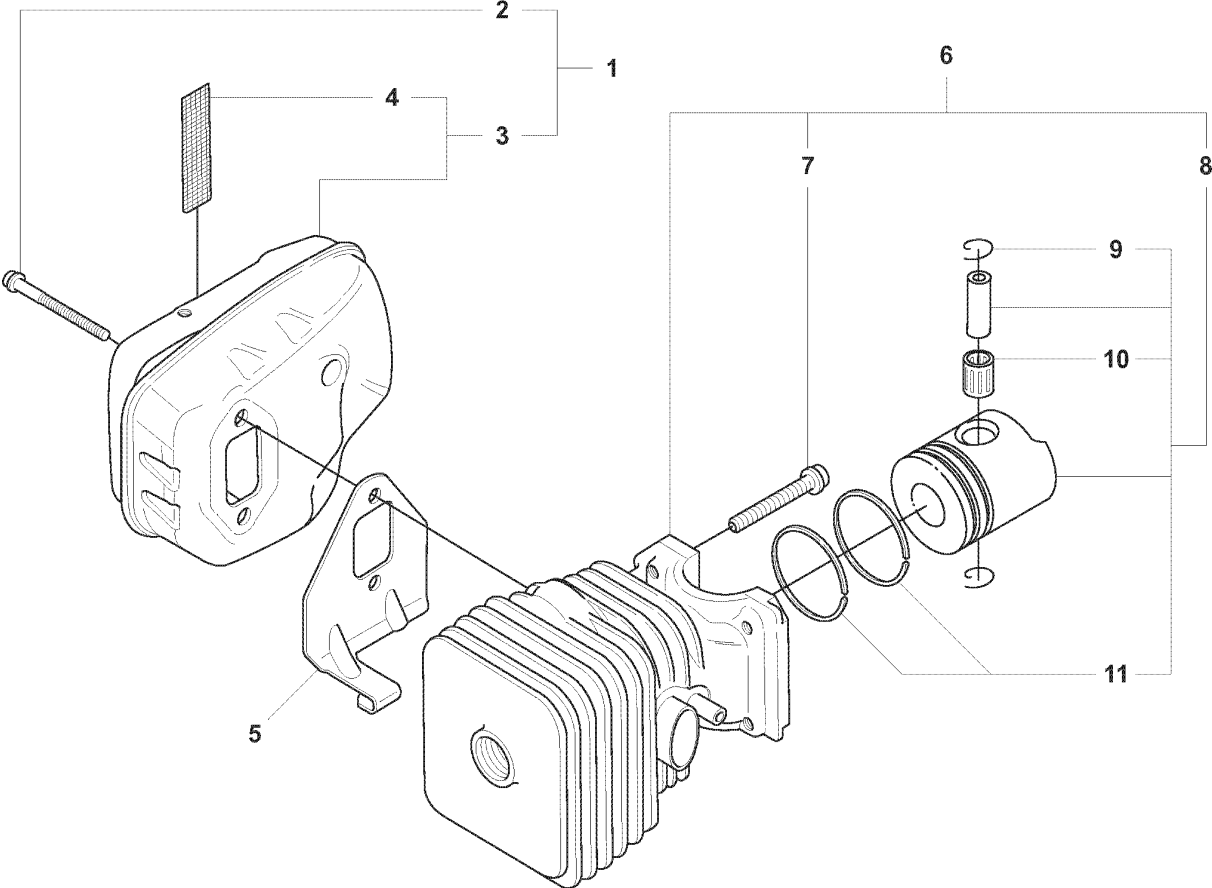


IGNITION SYSTEM & CLUTCH

326 AI 25

Ref	Part No	Description	Remark	QTY KIT
1	503 23 51-09	SPARK PLUG		1
2	537 41 87-01	IGNITION MODULE		1
3	503 21 66-18	SCREW IHST		2
4	537 24 96-01	FLYWHEEL		1
5	731 71 16-51	HEXAGON NUT FLANGE		1
6	544 08 32-01	CLUTCH ASSY		1
7	503 84 29-02	SCREW		2

J

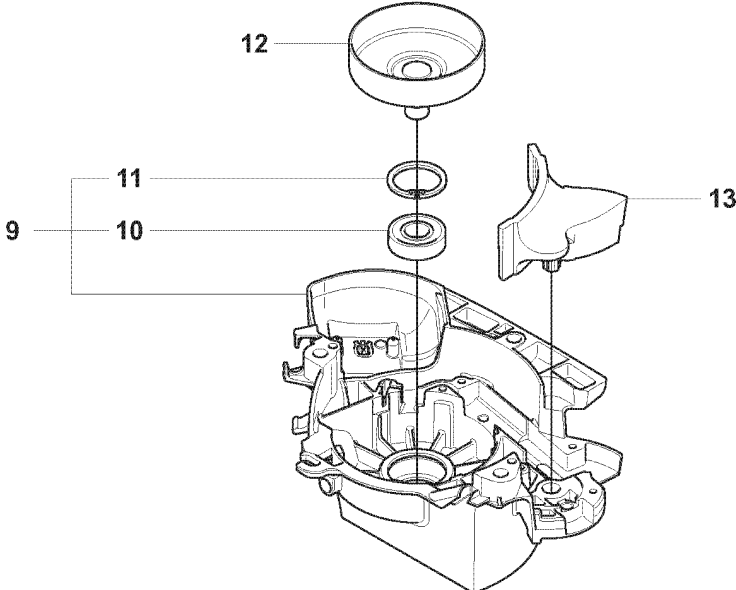
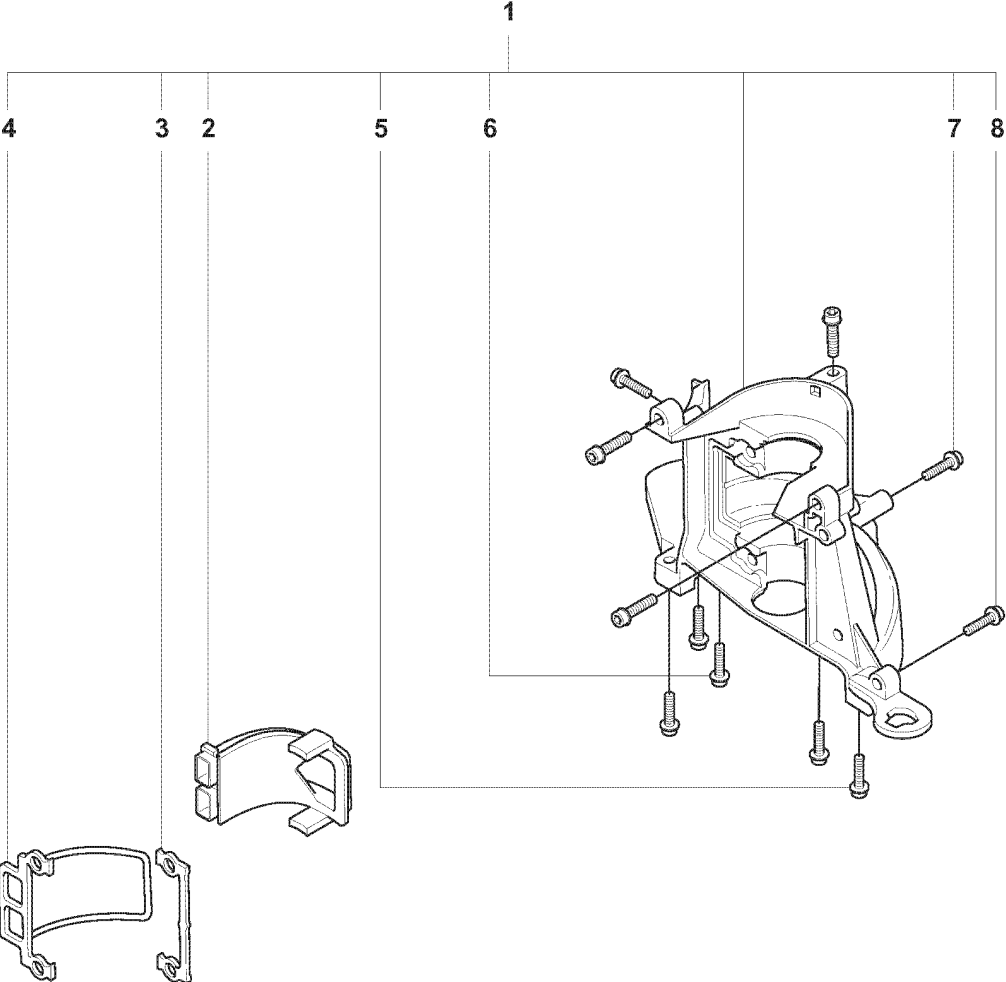


CYLINDER, PISTON & MUFFLER

326 AI 25

Ref	Part No	Description	Remark	QTY KIT
2	503 20 29-56	SCREW IHSCFM		3
4	537 22 18-01	SPARK ARRESTER SCREEN		1
5	537 01 41-01	GASKET		1
6	537 08 51-02	PISTON		1
7	725 53 37-55	SCREW IHSCM		4
8	537 37 65-04	PISTON		1
9	737 44 08-00	CIRCLIP		2
10	503 71 22-01	BEARING		1
11	503 28 90-43	PISTON RING		2

K

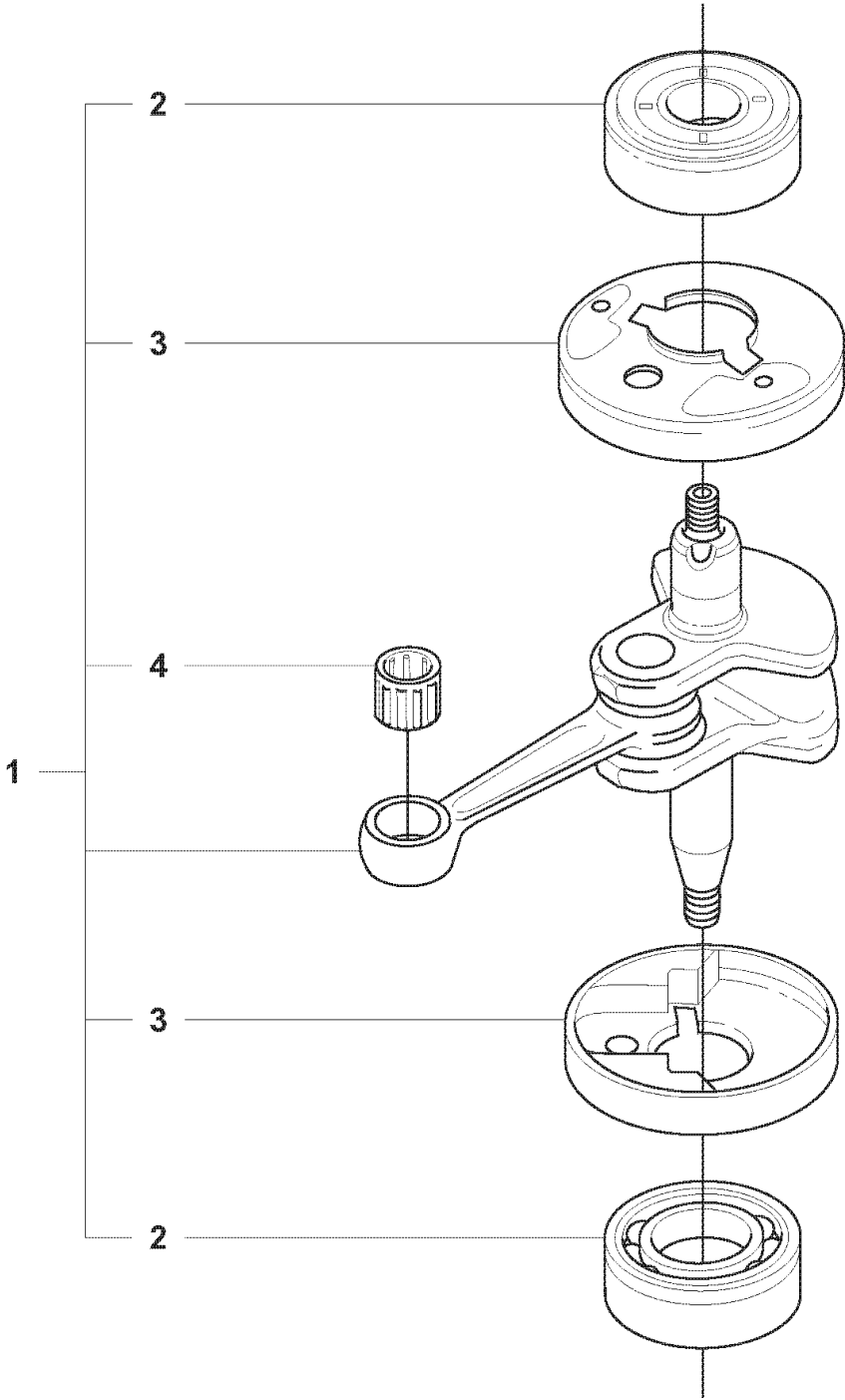


CRANKCASE & CLUTCHDRUM

326 AI 25

Ref	Part No	Description	Remark	QTY KIT
1	537 08 52-02	CRANKCASE		1
2	537 06 68-01	INSERT CRANKCASE		1
3	537 08 85-01	GASKET		1
4	537 06 69-01	GASKET		1
5	503 20 03-16	SCREW IHSCFM		8
6	503 21 66-18	SCREW IHST		2
7	503 20 14-12	SCREW IHSCFMO		1
8	503 21 77-16	SCREW IHST		1
9	504 20 47-01	CLUTCH COVER ASSY		1
10	503 25 05-01	BALL BEARING		1
11	537 33 67-01	CIRCLIP		1
12	537 23 75-02	CLUTCH DRUM ASSY		1
13	544 92 54-01	COVER LID		1

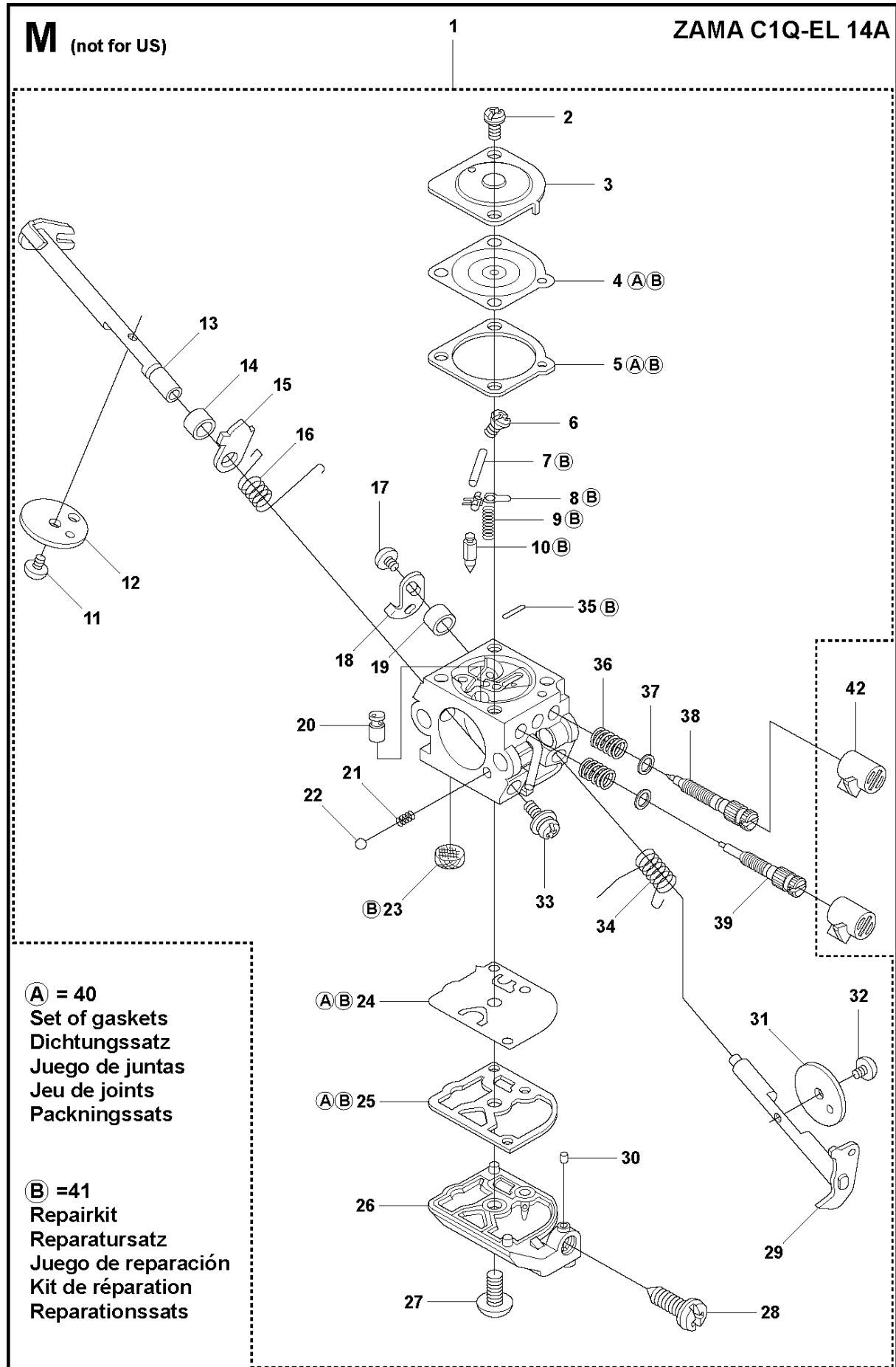
L



CRANKSHAFT

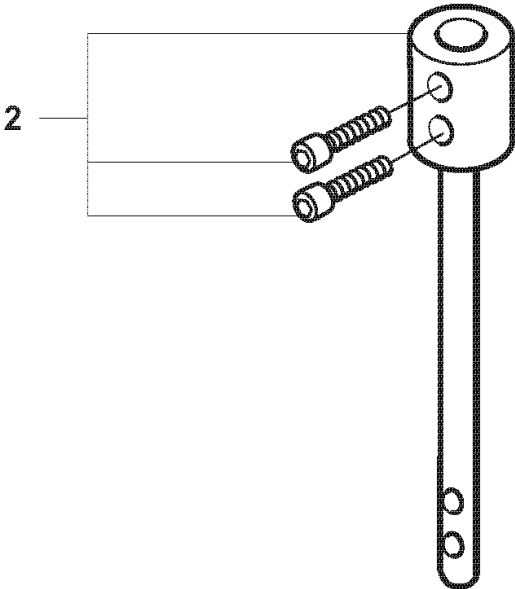
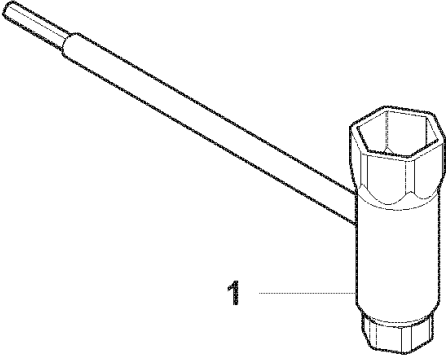
326 AI 25

Ref	Part No	Description	Remark	QTY KIT
1	503 85 24-74	CRANKSHAFT ASSY		1
2	503 94 02-03	BEARING CAGE		2
3	503 94 05-01	CUP		2
4	503 71 22-01	BEARING		1



Ref	Part No	Description	Remark	QTY KIT
1	503 28 31-13	CARBURETTOR		1
2	503 48 05-01	SCREW		2
3	503 97 43-01	COVER		1
4	537 04 89-01	DIAPHRAGM		1
5	537 02 04-01	GASKET		1
6	503 48 01-01	SCREW		1
7	503 48 00-01	PIN RETAINING SCREW		1
8	503 66 59-01	LEVER		1
9	537 02 03-01	SPRING		1
10	503 47 97-01	VALVE		1
11	503 48 18-01	SCREW		1
12	537 02 11-01	VALVE		1
13	537 02 09-01	SHAFT ASSY		1
14	503 48 19-01	COLLAR		1
15	537 14 34-01	LEVER		1
16	537 02 10-01	SPRING		1
17	503 47 90-01	SCREW		1
18	537 01 98-01	LEVER		1
19	503 47 89-01	COLLAR		1
20	544 01 82-01	MAIN NOZZLE		1
21	537 01 26-01	SPRING		1
22	537 01 25-01	BALL		1
23	503 53 57-01	STRAINER		1
24	537 02 00-01	DIAPHRAGM PUMP		1
25	537 02 01-01	GASKET		1
26	537 02 02-01	COVER		1
27	503 47 96-01	SCREW		1
28	537 02 07-01	SCREW		1
29	537 01 96-01	SHAFT ASSY		1
30	503 48 11-01	PIECE		1
31	537 01 99-01	VALVE		1
32	503 47 92-01	SCREW		1
33	503 75 53-01	SCREW		1
34	537 01 97-01	SPRING		1
35	537 02 08-01	PLUG		1
36	503 48 08-01	SPRING		2
37	503 97 40-01	WASHER		2
38	537 12 78-01	SCREW		1
39	537 02 06-01	SCREW		1
40	531 00 45-52	GASKET KIT		1
41	531 00 45-53	GASKET KIT		1
42	537 02 16-01	LIMITER CAP		2

N Accessories
Zubehöre
Accessoires
Acessorios
Tillbehör



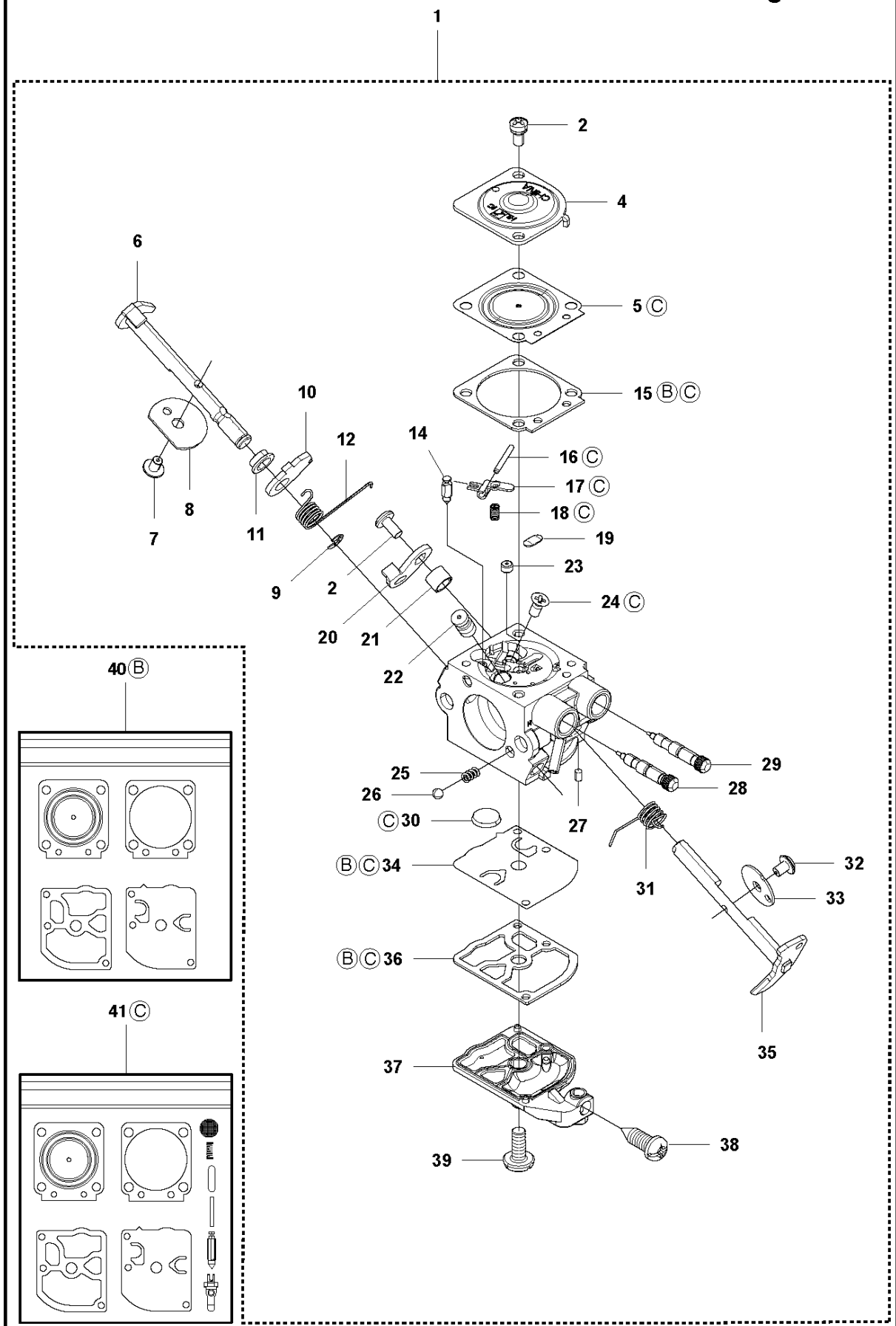
ACCESSORIES

326 AI 25

Ref	Part No	Description	Remark	QTY KIT
1	537 36 21-01	COMBINATION WRENCH		1
2	531 00 75-09	EXTENSION		1

CARBURETOR (only option for US)

Hualong HQ-2



CARBURETOR

326 AI 25

Ref	Part No	Description	Remark	QTY	KIT
1	576 01 98-01	CARBURETTOR	Hualong HQ-2, only option for US	1	
2	576 02 42-01	SCREW		2	1
4	576 02 36-01	COVER		1	1
5	576 02 24-01	DIAPHRAGM ASSY		1	1
6	576 02 30-01	SHAFT ASSY		1	1
7	576 02 41-01	SCREW		1	1
8	576 02 32-01	CHOKE		1	1
9	576 02 48-01	E-CLIP		1	1
10	576 02 31-01	LEVER		1	1
11	576 02 35-01	BUSHING		1	1
12	576 02 33-01	SPRING		1	1
14	576 02 01-01	VALVE		1	1
15	576 02 37-01	GASKET		1	1
16	576 02 03-01	PIN		1	1
17	576 02 04-01	LEVER		1	1
18	576 02 05-01	SPRING		1	1
19	576 02 06-01	PLUG		1	1
20	576 02 28-01	LEVER		1	1
21	576 02 29-01	BUSHING		1	1
22	576 02 07-01	MAIN NOZZLE		1	1
23	576 02 08-01	CHECK VALVE		1	1
24	576 02 43-01	SCREW		1	1
25	576 02 34-01	SPRING		1	1
26	576 02 47-01	BALL		1	1
27	576 02 23-01	BAR		1	1
28	576 02 10-01	NEEDLE		1	1
29	576 02 11-01	NEEDLE		1	1
30	576 02 15-01	SCREEN		1	1
31	576 02 27-01	SPRING		1	1
32	576 02 40-01	SCREW		1	1
33	576 02 26-01	THROTTLE		1	1
34	576 02 39-01	DIAPHRAGM PUMP		1	1
35	576 02 25-01	SHAFT ASSY		1	1
36	576 02 38-01	GASKET		1	1
37	576 02 20-01	COVER		1	1
38	576 02 22-01	SCREW		1	1
39	576 02 44-01	SCREW		1	1
40	581 74 35-01	GASKET KIT		1	1
41	581 74 37-01	REPAIR KIT		1	1