

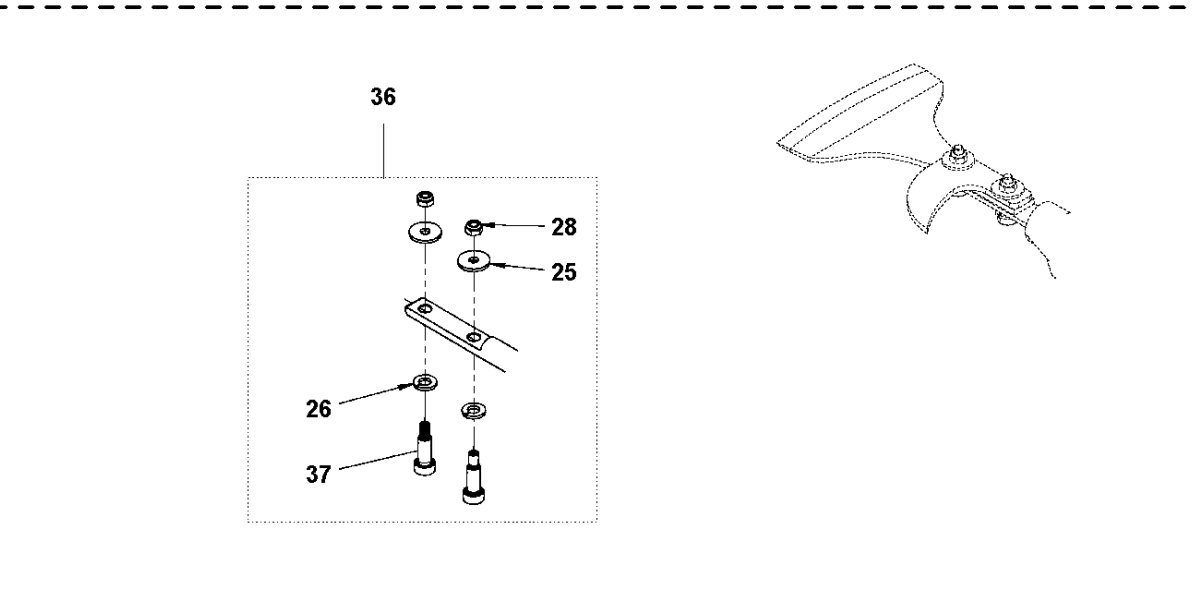
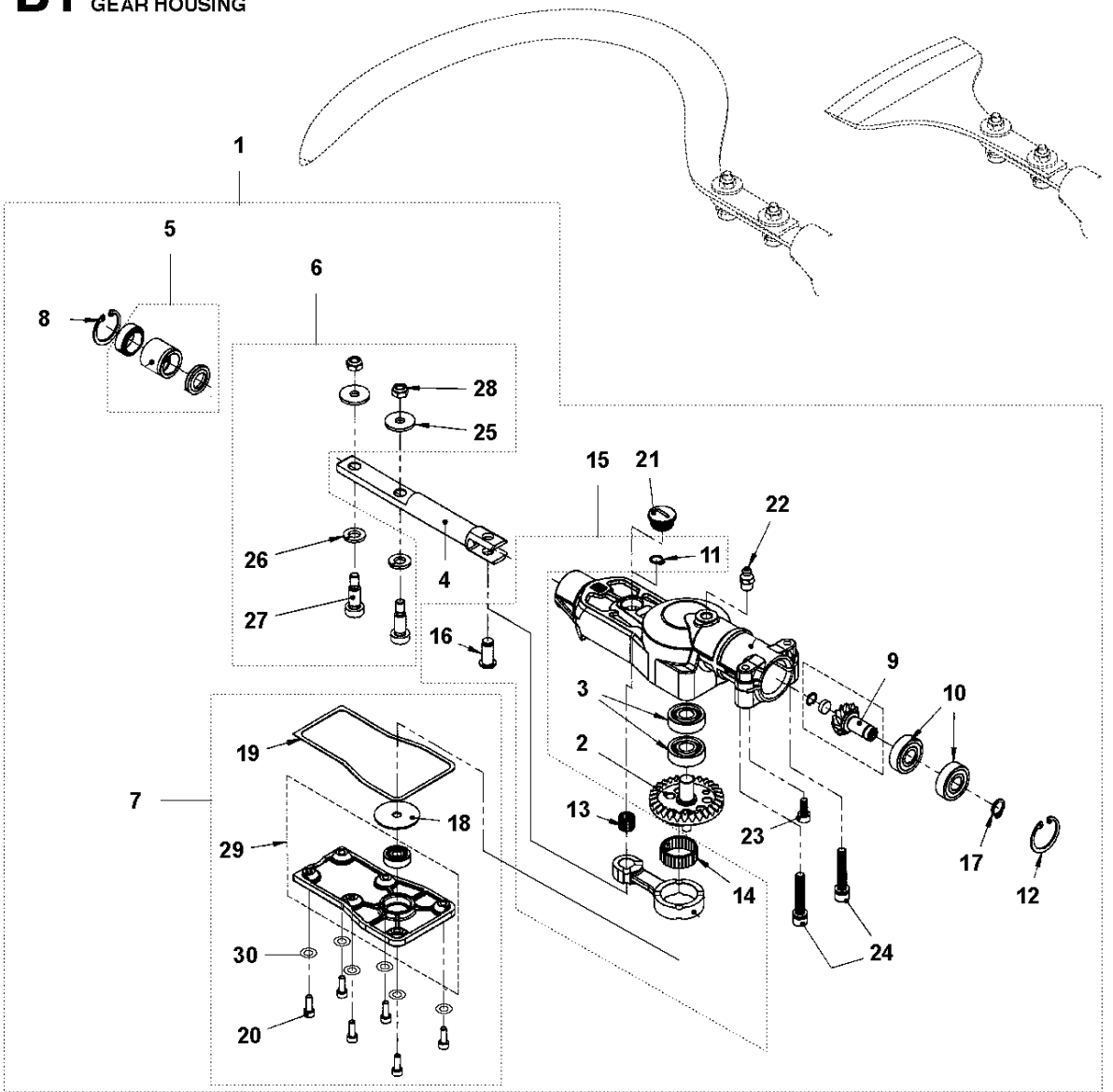


SPARE PARTS LIST

PALM CUTTER

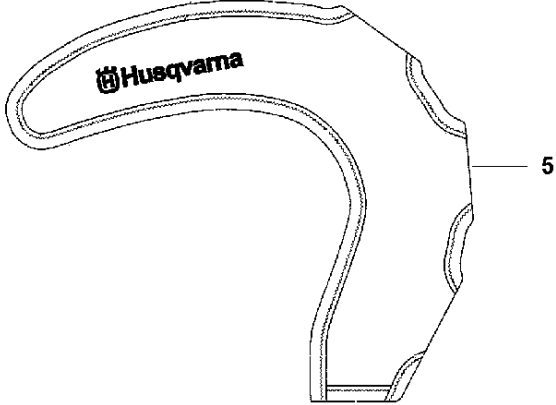
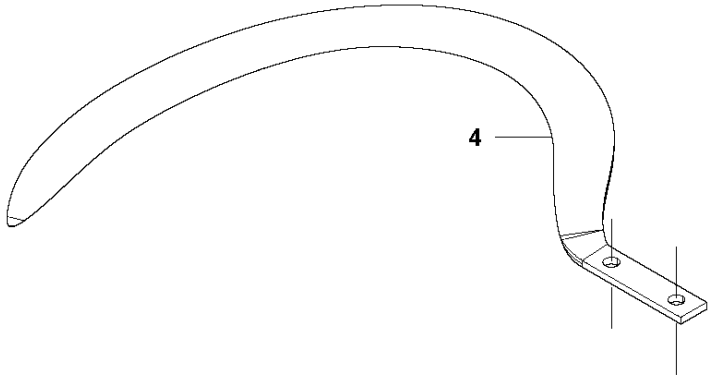
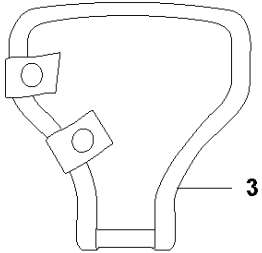
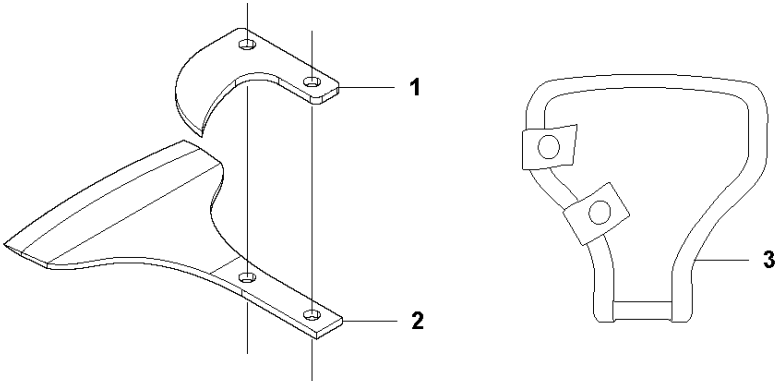
226 PD3

B1 226 PD3
GEAR HOUSING



| Ref | Part No | Description | Remark | QTY | KIT |
|-----|--------------|----------------|----------------------------|-----|-------|
| 1 | 587 50 12-01 | GEAR CASE | | 1 | |
| 2 | 587 50 16-01 | BEVEL GEAR | | 1 | 1 |
| 3 | 587 50 15-01 | BEARING | | 2 | 1 |
| 4 | 587 50 21-01 | SHAFT | | 1 | 1 |
| 5 | 588 53 29-01 | SEALING | | 1 | 1 |
| 6 | 588 53 27-01 | BOLT | 12mm (when not using hook) | 1 | 1 |
| 7 | 588 53 30-01 | COVER | | 1 | 1 |
| 8 | 587 50 25-01 | SNAP RING | | 1 | 1 |
| 9 | 587 50 17-01 | PINION | | 1 | 1 |
| 10 | 587 83 87-01 | BEARING | | 2 | 1 |
| 11 | 587 50 31-01 | SNAP RING | | 1 | 1, 15 |
| 12 | 587 50 20-01 | SNAP RING | | 1 | 1 |
| 13 | 587 50 29-01 | BEARING | | 1 | 1, 15 |
| 14 | 587 50 28-01 | BEARING | | 1 | 1, 15 |
| 15 | 588 53 32-01 | CONNECTING ROD | | 1 | 1 |
| 16 | 587 50 26-01 | PIN | | 1 | 1, 15 |
| 17 | 587 50 19-01 | SNAP RING | | 1 | 1 |
| 18 | 587 50 30-01 | SPACER | | 1 | 1, 7 |
| 19 | 587 50 32-01 | GASKET | | 1 | 1, 7 |
| 20 | 587 50 35-01 | BOLT | | 6 | 1, 7 |
| 21 | 587 50 36-01 | CAP | | 1 | 1 |
| 22 | 587 50 37-01 | NIPPLE | | 1 | 1 |
| 23 | 587 49 69-01 | BOLT | | 1 | 1 |
| 24 | 587 50 39-01 | BOLT | | 2 | 1 |
| 25 | 587 50 40-01 | WASHER | | 2 | 36 |
| 26 | 587 50 41-01 | WASHER | | 2 | 36 |
| 27 | 587 50 42-01 | BOLT | 12mm (when not using hook) | 2 | 1, 6 |
| 28 | 587 49 93-01 | NUT | | 2 | 36 |
| 30 | 501 15 72-01 | WASHER | | 6 | 1, 7 |
| 29 | 588 62 99-01 | COVER | | 1 | 1, 7 |
| 36 | 587 50 59-01 | BOLT | 16mm (when using hook) | 1 | |
| 37 | 588 53 25-01 | BOLT | 16mm (when using hook) | 1 | 36 |

A1 226 PD3
CUTTING EQUIPMENT

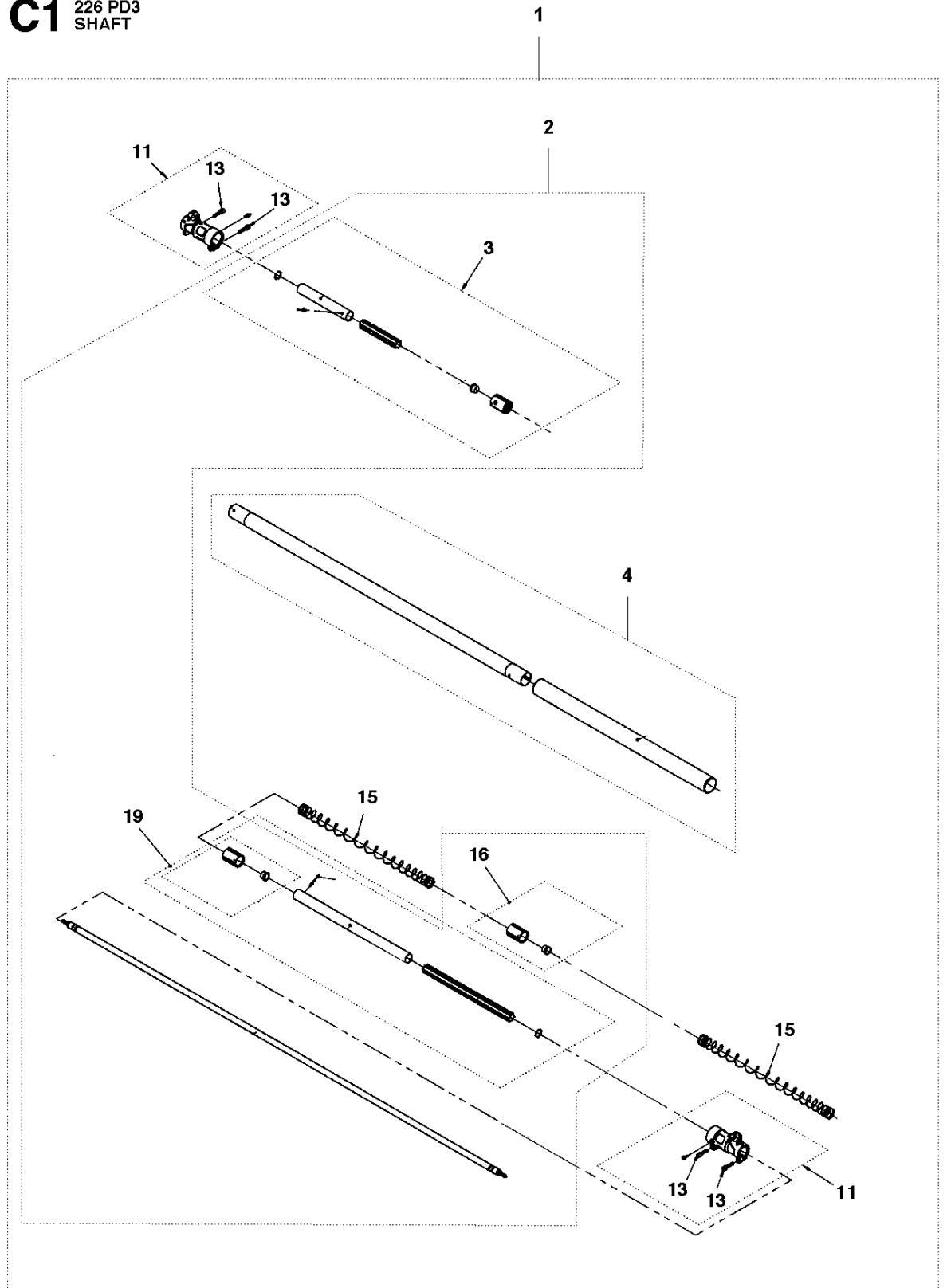


CUTTING EQUIPMENT

226 PD3

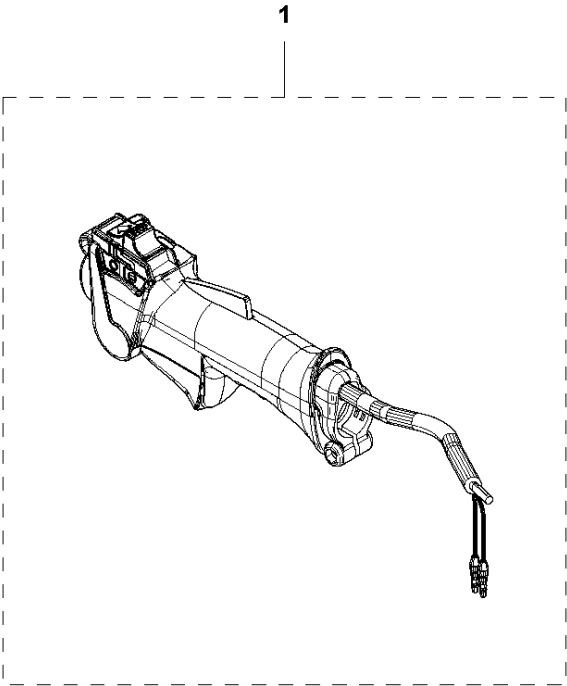
| Ref | Part No | Description | Remark | QTY KIT |
|-----|--------------|-------------|------------------|---------|
| 1 | 587 27 19-01 | HOOK | | 1 |
| 2 | 587 26 33-01 | CUTTER | | 1 |
| 3 | 587 58 44-01 | COVER | | 1 |
| 4 | 587 62 98-01 | CUTTER | for 226PD3 | 1 |
| 5 | 588 60 33-01 | COVER | for 587 62 98-01 | 1 |

C1 226 PD3
SHAFT



| Ref | Part No | Description | Remark | QTY | KIT |
|-----|--------------|-------------|--------|-----|-------|
| 1 | 587 58 29-01 | SHAFT | | 1 | |
| 2 | 588 53 28-01 | DRIVE SHAFT | | 1 | 1 |
| 3 | 587 58 33-01 | TUBE | | 1 | 1, 2 |
| 4 | 588 53 24-01 | TUBE | | 1 | 1 |
| 11 | 582 81 65-01 | JOINT | | 2 | 1 |
| 13 | 587 49 68-01 | BOLT | | 2 | 1, 11 |
| 15 | 587 49 70-01 | SPRING | | 2 | 1 |
| 16 | 587 49 77-01 | SPACER | | 1 | 1, 2 |
| 19 | 587 58 32-01 | TUBE | | 1 | 1, 2 |

D 226 PD3, 226PTC6
THROTTLE CONTROLS

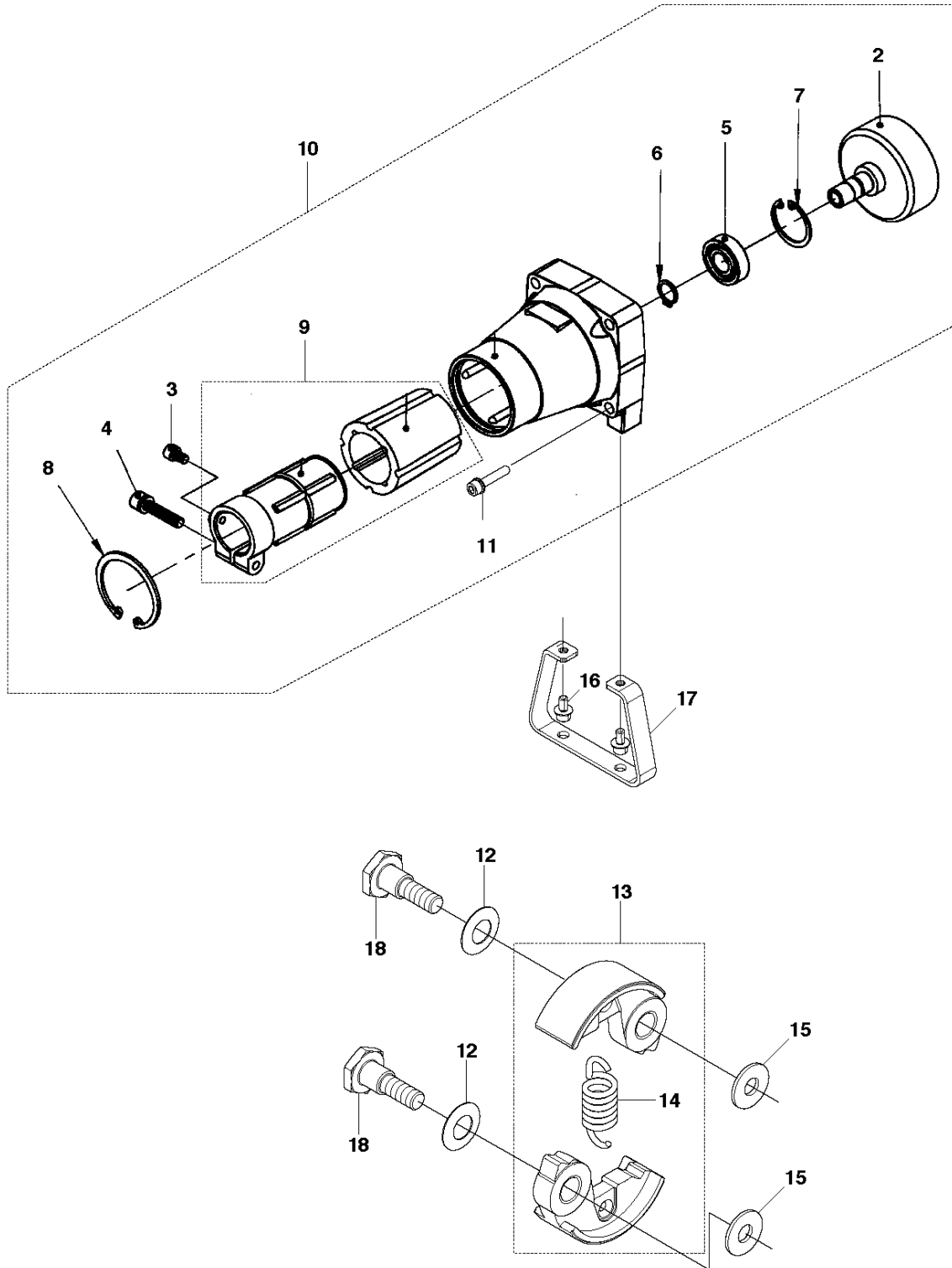


THROTTLE CONTROLS

226 PD3

| Ref | Part No | Description | Remark | QTY KIT |
|-----|--------------|-----------------|--------|---------|
| 1 | 587 49 99-01 | THROTTLE HANDLE | | 1 |

E 226 PD3, 226PTC6
CLUTCH

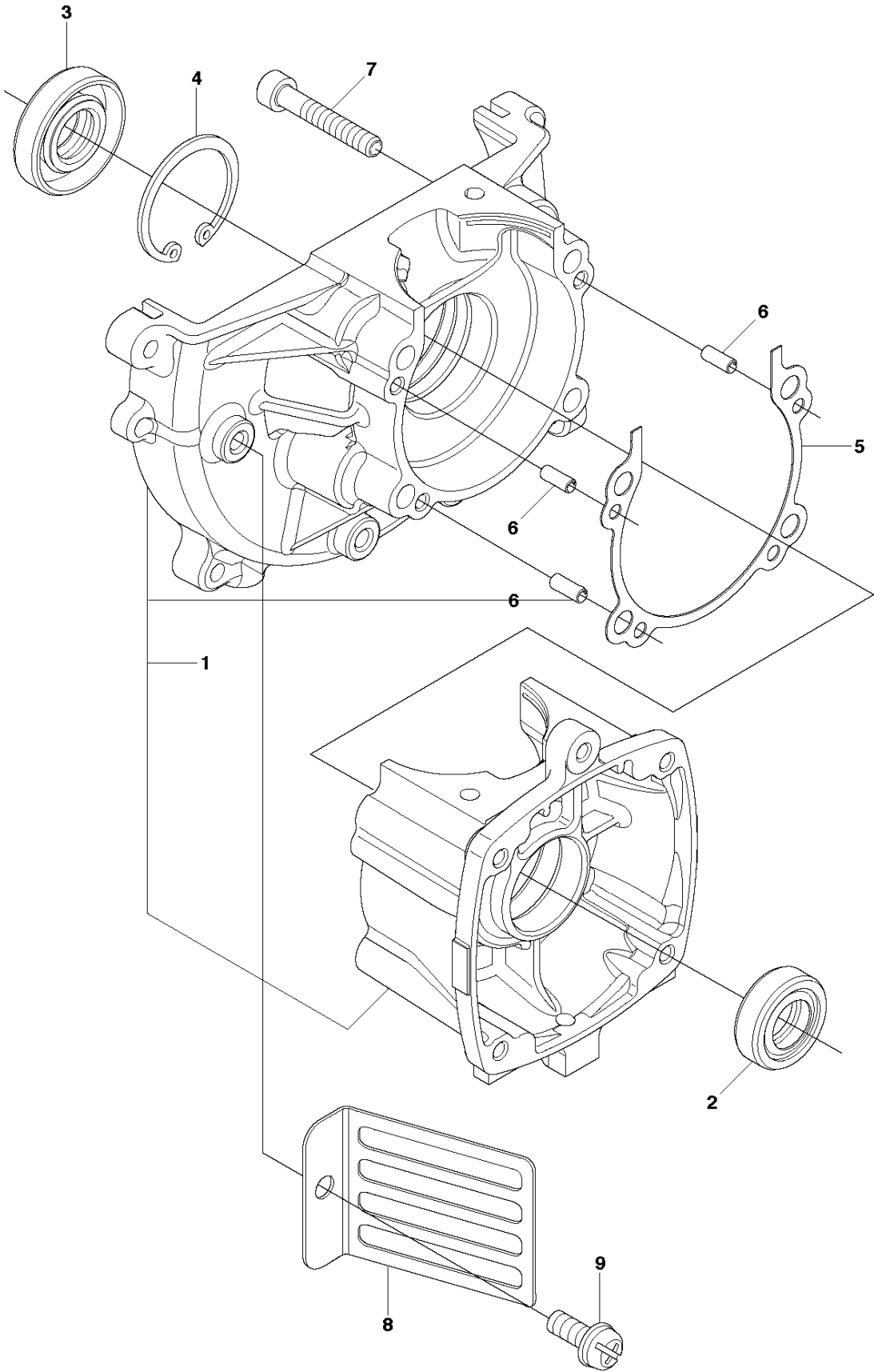


CLUTCH

226 PD3

| Ref | Part No | Description | Remark | QTY | KIT |
|-----|--------------|-------------|--------|-----|-----|
| 2 | 587 50 03-01 | CLUTCH DRUM | | 1 | 10 |
| 3 | 588 72 92-01 | BOLT | | 1 | 10 |
| 4 | 587 49 68-01 | BOLT | | 1 | 10 |
| 5 | 587 50 04-01 | BEARING | | 1 | 10 |
| 6 | 587 50 05-01 | SNAP RING | | 1 | 10 |
| 7 | 587 50 06-01 | SNAP RING | | 1 | 10 |
| 8 | 587 50 10-01 | SNAP RING | | 1 | 10 |
| 9 | 588 63 03-01 | ABSORBER | | 1 | 10 |
| 10 | 587 50 00-01 | HOUSING | | 1 | |
| 11 | 587 50 48-01 | BOLT | | 4 | 10 |
| 12 | 513 18 95-01 | WASHER | | 2 | |
| 13 | 515 38 91-01 | SHOE | | 1 | |
| 14 | 515 38 93-01 | SPRING | | 1 | 13 |
| 15 | 505 05 44-01 | WASHER | | 2 | |
| 16 | 587 50 61-01 | BOLT | | 2 | |
| 17 | 587 50 60-01 | STAND | | 1 | |
| 18 | 513 18 96-01 | SCREW | | 2 | |

F 226 PD3, 226 PTC6
CRANKCASE

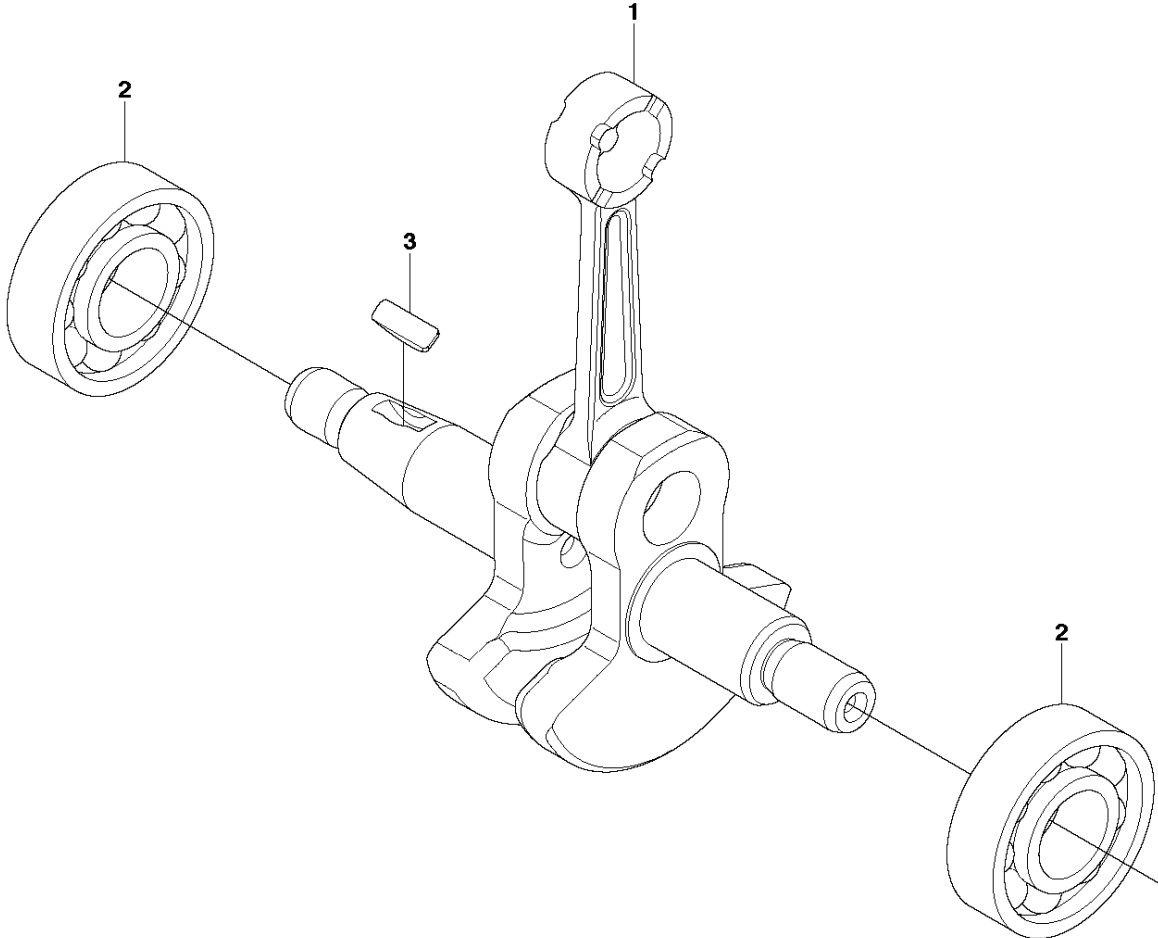


CRANKCASE

226 PD3

| Ref | Part No | Description | Remark | QTY | KIT |
|-----|--------------|-------------|--------|-----|-----|
| 1 | 515 49 00-01 | CRANKCASE | | 1 | |
| 2 | 513 48 87-01 | SEAL | | 1 | |
| 3 | 506 61 29-01 | SEAL | | 1 | |
| 4 | 506 60 99-01 | SNAP RING | | 1 | |
| 5 | 515 41 24-01 | GASKET | | 1 | |
| 6 | 505 29 61-01 | PIN | | 3 | 1 |
| 7 | 506 60 94-01 | BOLT | | 4 | |
| 8 | 515 41 26-01 | GUARD | | 1 | |
| 9 | 505 29 98-01 | SCREW | | 1 | |

G 226 PD3, 226 PTC6
CRANKSHAFT

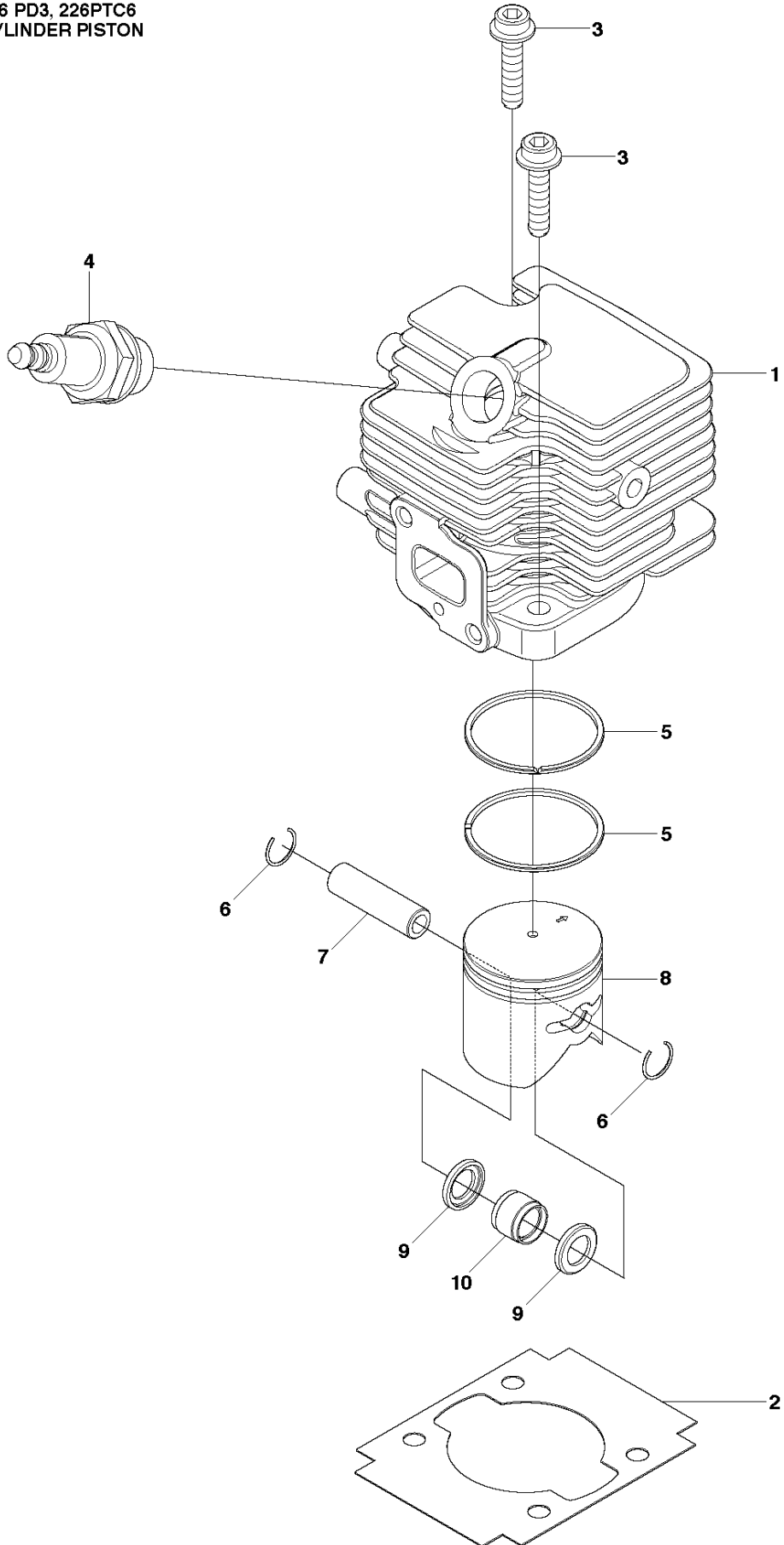


CRANKSHAFT

226 PD3

| Ref | Part No | Description | Remark | QTY KIT |
|-----|--------------|-------------|--------|---------|
| 1 | 526 52 91-01 | CRANKSHAFT | | 1 |
| 2 | 523 07 17-01 | BEARING | | 2 |
| 3 | 506 68 94-01 | KEY | | 1 |

H 226 PD3, 226PTC6
CYLINDER PISTON

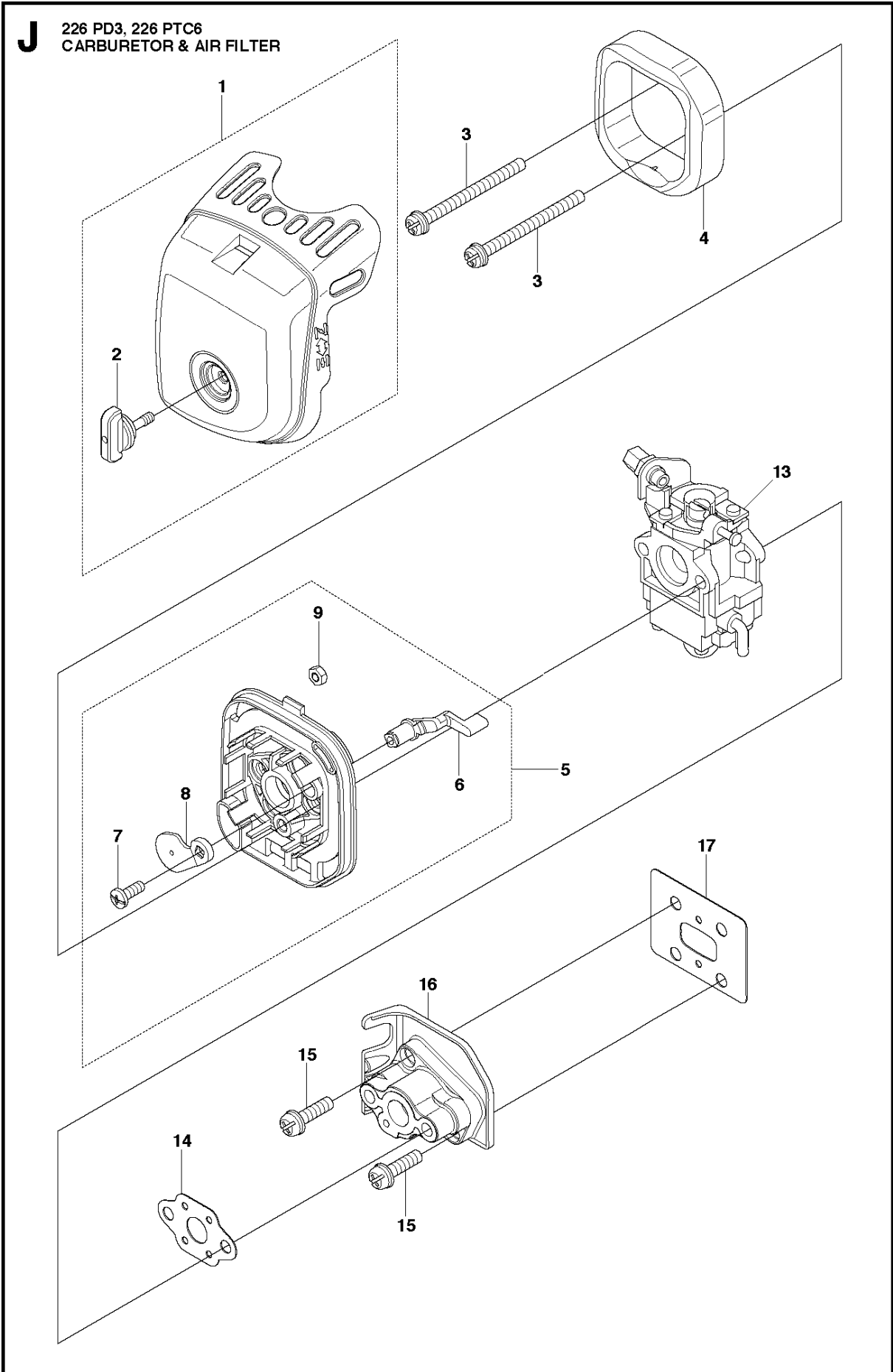


CYLINDER PISTON

226 PD3

| Ref | Part No | Description | Remark | QTY KIT |
|-----|--------------|-----------------|--------------|---------|
| 1 | 525 95 70-01 | CYLINDER | | 1 |
| 2 | 515 40 88-01 | GASKET | | 1 |
| 3 | 513 41 25-01 | BOLT | | 2 |
| 4 | 515 44 86-01 | SPARKPLUG.RCJ6Y | Plug (RCJ6Y) | 1 |
| 5 | 529 25 10-01 | PISTON RING | | 2 |
| 6 | 505 04 52-01 | RING | | 2 |
| 7 | 505 04 07-01 | PIN | | 1 |
| 8 | 515 49 18-01 | PISTON | | 1 |
| 9 | 505 04 10-01 | WASHER | | 2 |
| 10 | 505 04 09-01 | BEARING | | 1 |

J 226 PD3, 226 PTC6
CARBURETOR & AIR FILTER

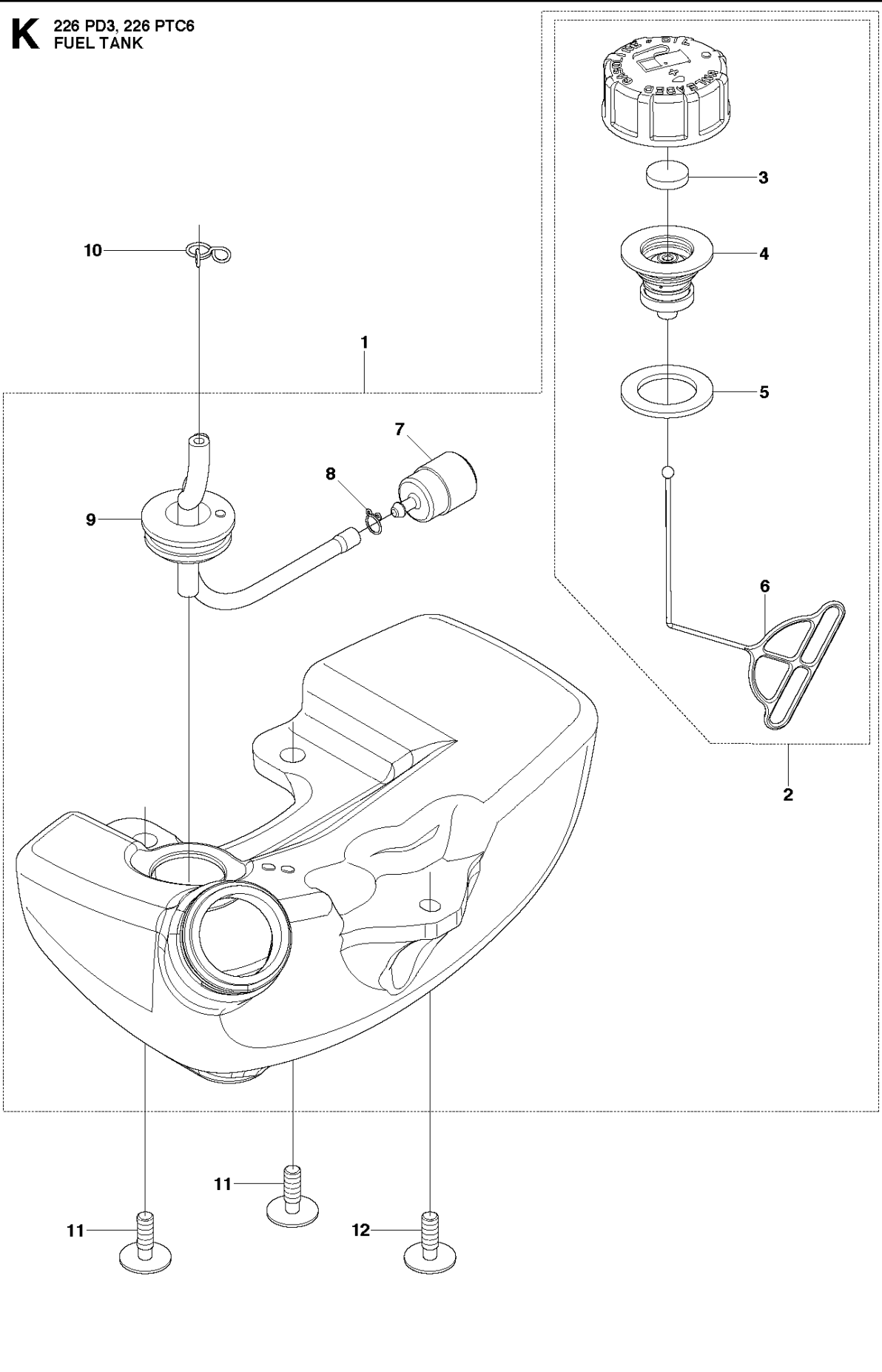


CARBURETOR & AIR FILTER

226 PD3

| Ref | Part No | Description | Remark | QTY | KIT |
|-----|--------------|--------------|--------|-----|-----|
| 1 | 527 91 85-01 | COVER | | 1 | |
| 2 | 523 07 13-01 | KNOB | | 1 | 1 |
| 3 | 510 48 31-01 | SCREW | | 2 | |
| 4 | 515 41 73-01 | AIR FILTER | | 1 | |
| 5 | 512 36 27-01 | BODY | | 1 | |
| 6 | 512 36 29-01 | LEVER | | 1 | 5 |
| 7 | 506 61 40-01 | SCREW | | 1 | 5 |
| 8 | 512 36 28-01 | PLATE.CHOKE | | 1 | 5 |
| 9 | 513 45 49-01 | SLEEVE | | 2 | 5 |
| 13 | 512 36 41-01 | CARBURETOR-A | | 1 | |
| 14 | 515 40 99-01 | GASKET | | 1 | |
| 15 | 510 48 23-01 | SCREW | | 2 | |
| 16 | 512 35 96-01 | INSULATOR | | 1 | |
| 17 | 515 40 90-01 | GASKET | | 1 | |

K 226 PD3, 226 PTC6
FUEL TANK

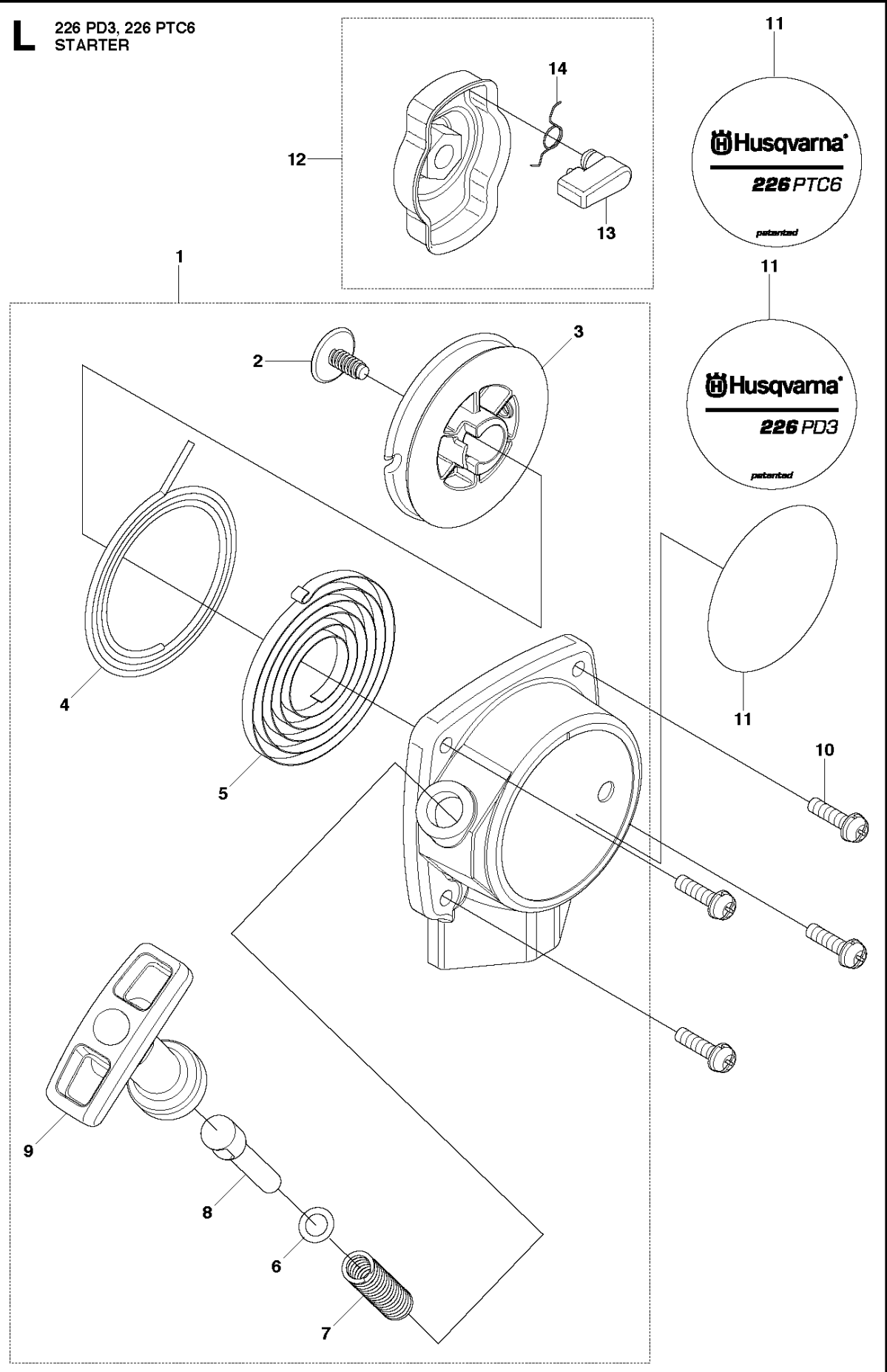


FUEL TANK

226 PD3

| Ref | Part No | Description | Remark | QTY | KIT |
|-----|--------------|-------------|--------|-----|------|
| 1 | 521 77 06-01 | TANK ASSY | | 1 | |
| 2 | 515 45 29-01 | CAP | | 1 | 1 |
| 3 | 506 74 68-01 | FILTER | | 1 | 1, 2 |
| 4 | 515 44 78-01 | HOLDER | | 1 | 1, 2 |
| 5 | 515 41 83-01 | PACKING | | 1 | 1, 2 |
| 6 | 506 74 58-01 | STOPPER | | 1 | 1, 2 |
| 7 | 515 41 85-01 | FILTER | | 1 | 1 |
| 8 | 506 70 70-01 | CLIP | | 1 | 1 |
| 9 | 515 41 84-01 | PIPE | | 1 | 1 |
| 10 | 506 74 15-01 | CLIP | | 1 | |
| 11 | 515 41 87-01 | SCREW | | 2 | |
| 12 | 515 49 25-01 | SCREW | | 1 | |

L 226 PD3, 226 PTC6
STARTER

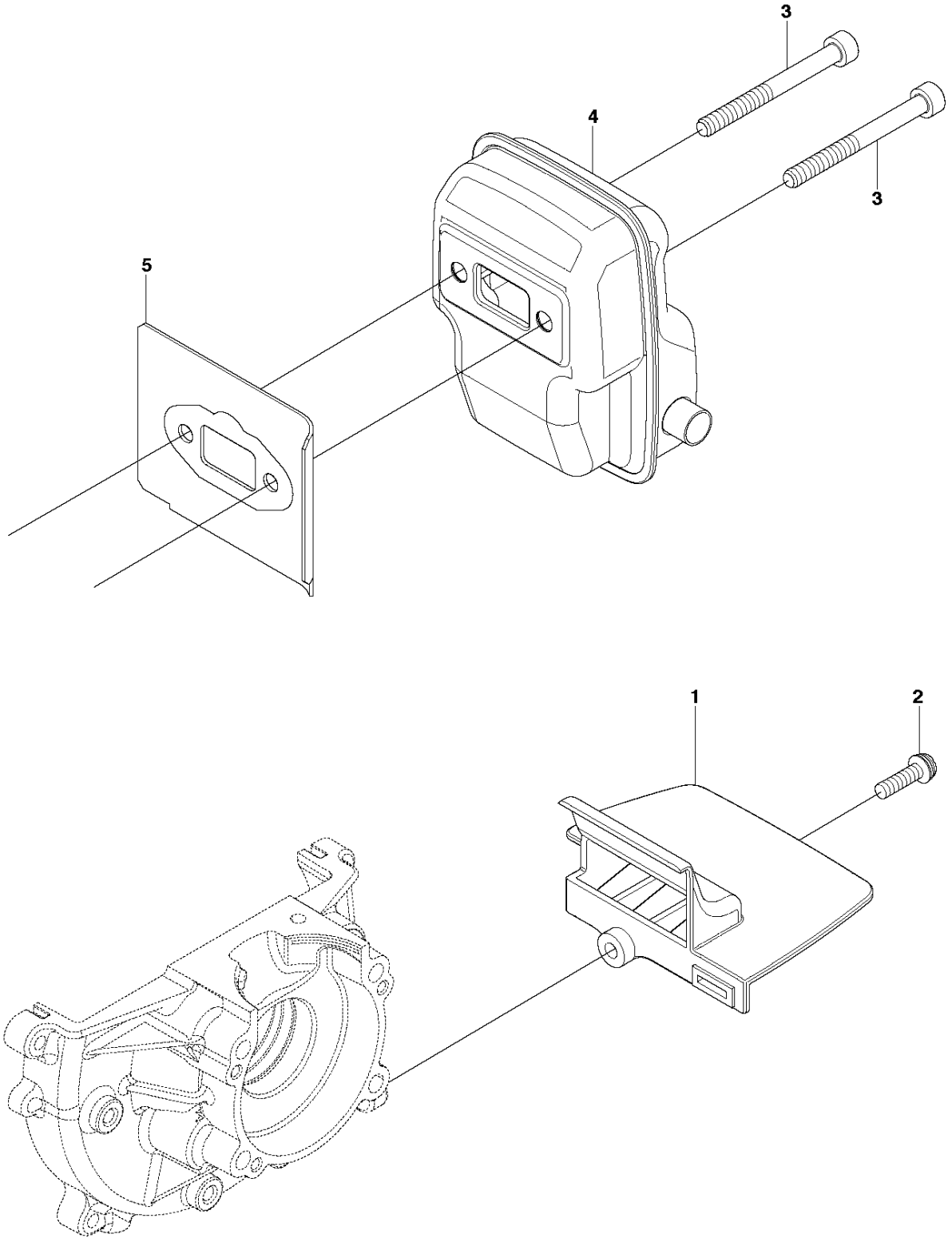


STARTER

226 PD3

| Ref | Part No | Description | Remark | QTY | KIT |
|-----|--------------|---------------|---------|-----|-----|
| 1 | 527 91 81-01 | STARTER ASSY | | 1 | |
| 2 | 506 61 30-01 | SCREW | | 1 | 1 |
| 3 | 513 41 68-01 | REEL | | 1 | 1 |
| 4 | 521 75 94-01 | ROPE | | 1 | 1 |
| 5 | 504 11 50-01 | SPIRAL SPRING | | 1 | 1 |
| 6 | 521 75 96-01 | WASHER | | 1 | 1 |
| 7 | 521 75 99-01 | SPRING | | 1 | 1 |
| 8 | 521 75 98-01 | COLLAR | | 1 | 1 |
| 9 | 521 75 97-01 | KNOB | | 1 | 1 |
| 10 | 512 36 10-01 | SCREW | | 4 | |
| 11 | 587 50 44-01 | DECAL | 226PTC6 | 1 | |
| 11 | 587 50 44-02 | DECAL | 226PD3 | 1 | |
| 12 | 513 41 73-01 | PULLEY | | 1 | |
| 13 | 513 41 77-01 | RATCHET | | 1 | 12 |
| 14 | 513 41 78-01 | SPRING | | 1 | 12 |

M 226 PD3, 226PTC6
MUFFLER

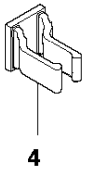
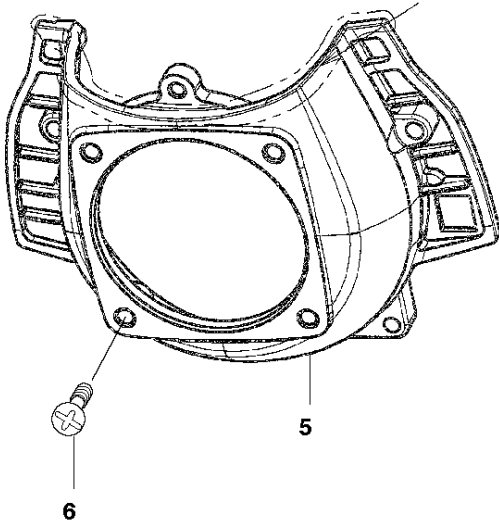
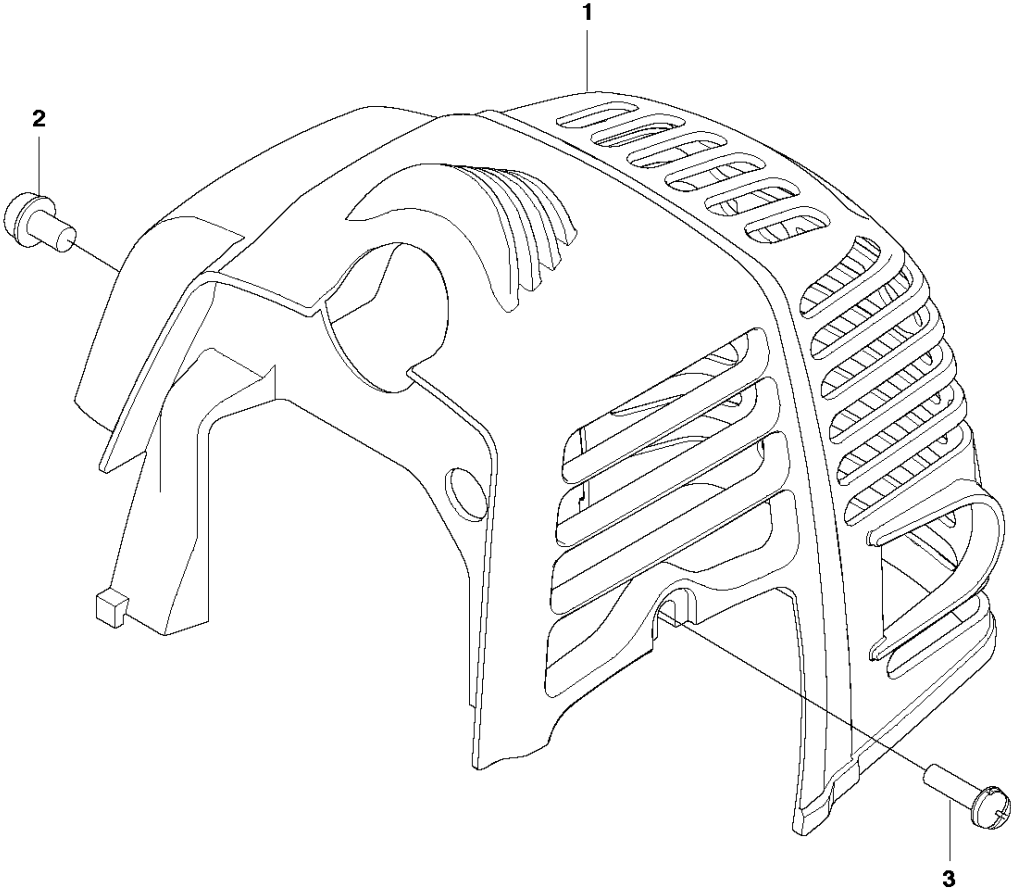


MUFFLER

226 PD3

| Ref | Part No | Description | Remark | QTY KIT |
|-----|--------------|---------------|--------|---------|
| 1 | 515 41 21-01 | PLATE.MUFFLER | | 1 |
| 2 | 510 48 16-01 | SCREW | | 1 |
| 3 | 516 07 14-01 | BOLT | | 2 |
| 4 | 512 35 97-01 | MUFFLER | | 1 |
| 5 | 512 33 29-01 | GASKET | | 1 |

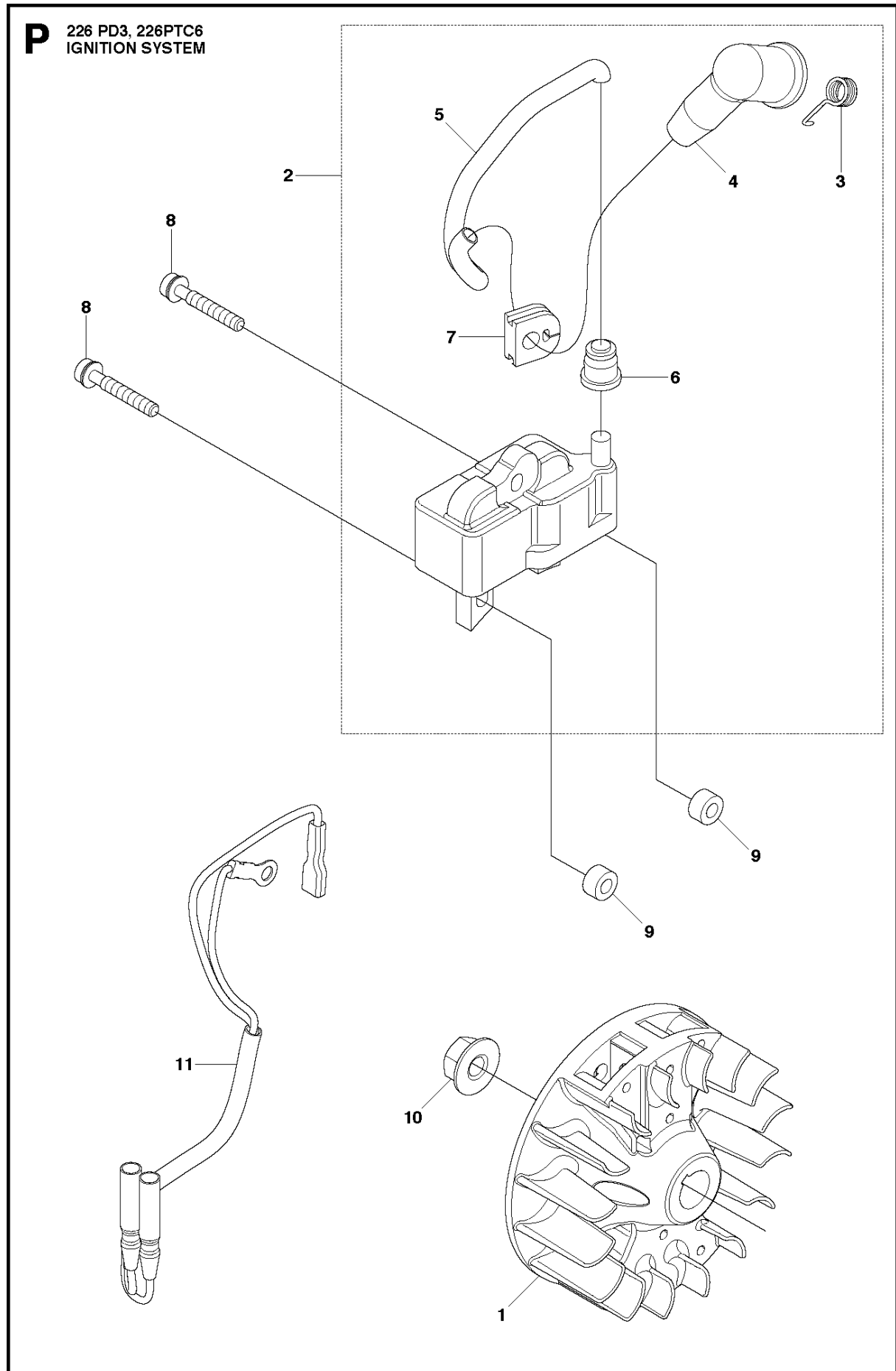
N 226 PD3, 226 PTC6
CYLINDER COVER



CYLINDER COVER

226 PD3

| Ref | Part No | Description | Remark | QTY KIT |
|-----|--------------|----------------|--------|---------|
| 1 | 577 78 83-01 | CYLINDER COVER | | 1 |
| 2 | 510 48 18-01 | SCREW | | 1 |
| 3 | 512 36 10-01 | SCREW | | 1 |
| 4 | 521 75 88-01 | CLAMP | | 1 |
| 5 | 574 38 50-01 | COVER | | 1 |
| 6 | 510 48 23-01 | SCREW | | 4 |

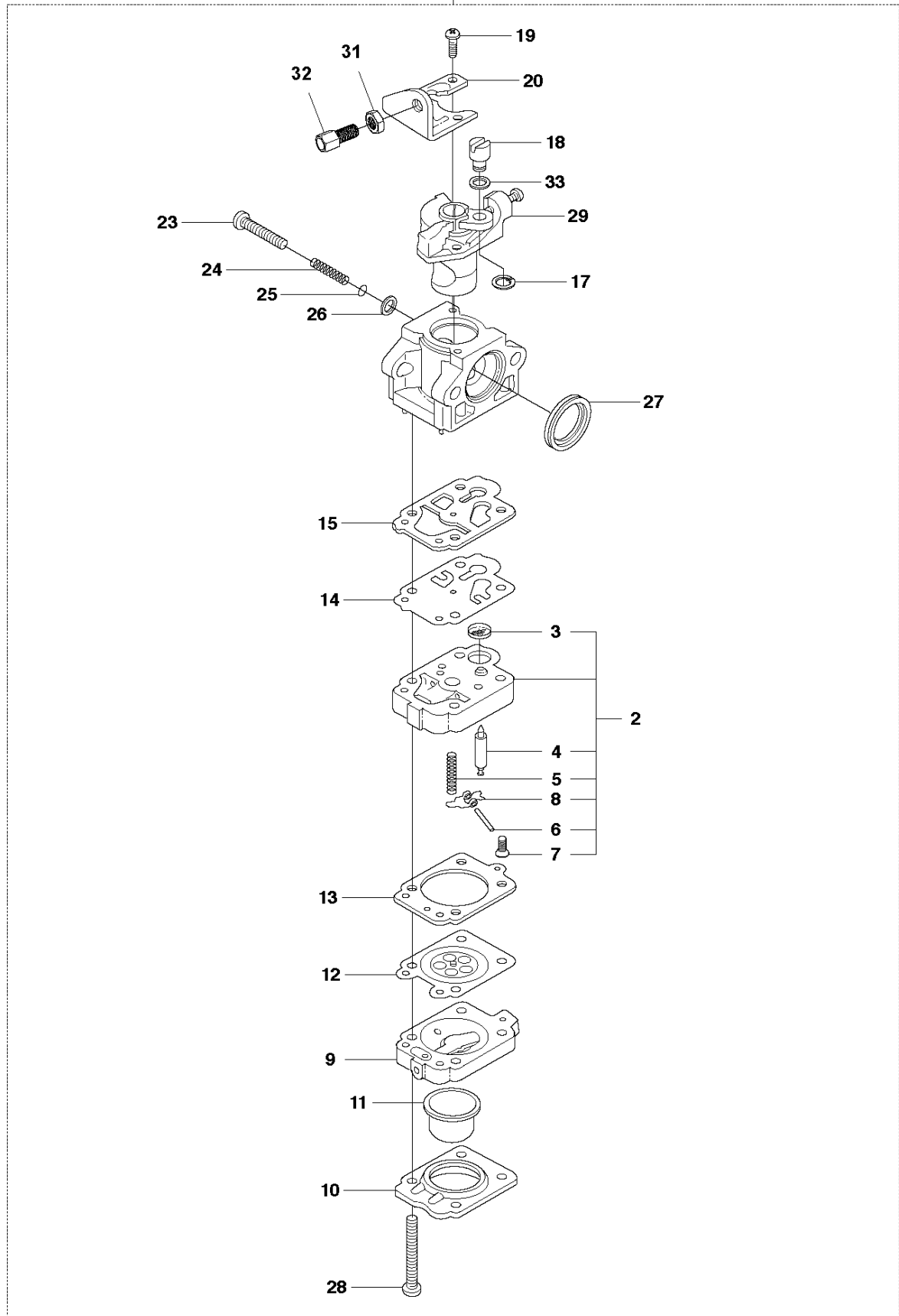


IGNITION SYSTEM

226 PD3

| Ref | Part No | Description | Remark | QTY | KIT |
|-----|--------------|-------------|--------|-----|-----|
| 1 | 521 76 93-01 | ROTOR | | 1 | |
| 2 | 512 36 16-01 | COIL | | 1 | |
| 3 | 515 41 52-01 | SPRING | | 1 | 2 |
| 4 | 505 29 88-01 | HUB CAP | | 1 | 2 |
| 5 | 512 36 17-01 | CORD | | 1 | 2 |
| 6 | 505 04 28-01 | HUB CAP | | 1 | 2 |
| 7 | 515 41 53-01 | GROMMET | | 1 | 2 |
| 8 | 514 18 68-01 | BOLT | | 2 | |
| 9 | 521 76 97-01 | SPACER | | 2 | |
| 10 | 504 11 80-01 | NUT | | 1 | |
| 11 | 512 36 19-01 | CORD | | 1 | |

Q 226 PD3, 226 PTC6
CARBURETOR DETAILS



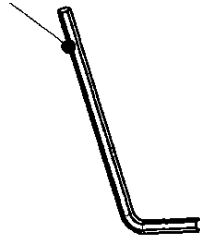
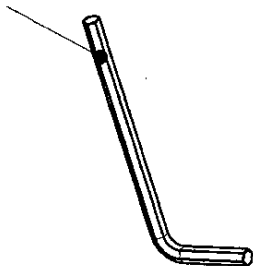
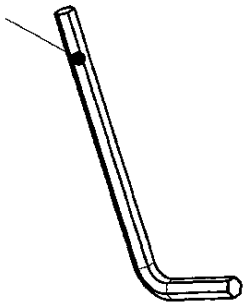
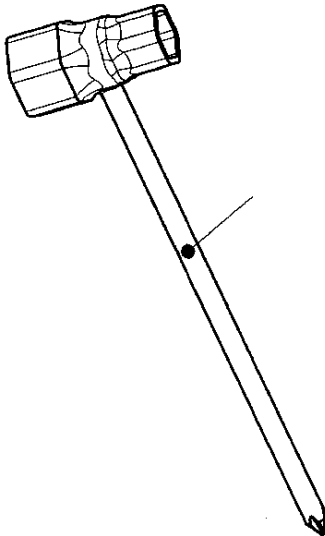
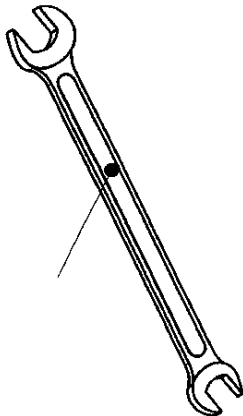
CARBURETOR DETAILS

226 PD3

| Ref | Part No | Description | Remark | QTY | KIT |
|-----|--------------|---------------|--------|-----|------|
| 1 | 512 36 41-01 | CARBURETOR-A | | 1 | |
| 2 | 513 41 08-01 | BODY | | 1 | 1 |
| 3 | 520 95 70-01 | SCREEN | | 1 | 1, 2 |
| 4 | 521 08 54-01 | VALVE.INLET | | 1 | 1, 2 |
| 5 | 513 41 07-01 | SPRING | | 1 | 1, 2 |
| 6 | 520 97 74-01 | PIN | | 1 | 1, 2 |
| 7 | 505 30 61-01 | SCREW | | 1 | 1, 2 |
| 8 | 520 97 72-01 | LEVER | | 1 | 1, 2 |
| 9 | 506 74 09-01 | BODY | | 1 | 1 |
| 10 | 506 74 10-01 | COVER | | 1 | 1 |
| 11 | 505 30 67-01 | PUMP | | 1 | 1 |
| 12 | 505 30 68-01 | DIAPHRAGM | | 1 | 1 |
| 13 | 506 74 08-01 | GASKET | | 1 | 1 |
| 14 | 506 68 98-01 | DIAPHRAGM | | 1 | 1 |
| 15 | 506 74 51-01 | GASKET | | 1 | 1 |
| 17 | 506 73 86-01 | RETAINER RING | | 1 | 1 |
| 18 | 506 74 12-01 | SWIVEL | | 1 | 1 |
| 19 | 505 30 79-01 | SCREW | | 2 | 1 |
| 20 | 506 74 60-01 | BRACKET | | 1 | 1 |
| 23 | 512 37 34-01 | NEEDLE | | 1 | 1 |
| 24 | 513 30 15-01 | SPRING | | 1 | 1 |
| 25 | 513 43 78-01 | O-RING | | 1 | 1 |
| 26 | 513 43 77-01 | WASHER | | 1 | 1 |
| 27 | 505 30 84-01 | RING | | 1 | 1 |
| 28 | 506 74 11-01 | SCREW | | 4 | 1 |
| 29 | 521 77 01-01 | VALVE ASSY | | 1 | 1 |
| 31 | 506 61 26-01 | NUT | | 1 | 1 |
| 32 | 506 74 13-01 | SCREW | | 1 | 1 |
| 33 | 506 74 61-01 | WASHER | | 1 | 1 |

R 226 PD3, 226 PTC6
ACCESSORIES

1

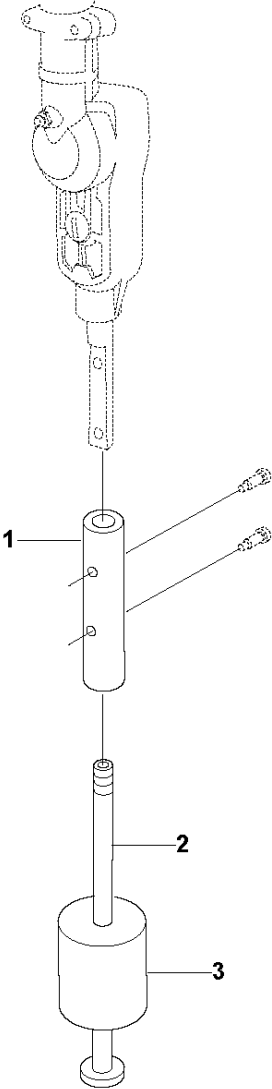


ACCESSORIES

226 PD3

| Ref | Part No | Description | Remark | QTY KIT |
|-----|--------------|-------------|--------|---------|
| 1 | 587 50 52-01 | TOOL | | 1 |

S 226 PD3, 226 PTC6
MAINTENANCE TOOLS



TOOLS

226 PD3

| Ref | Part No | Description | Remark | QTY KIT |
|-----|--------------|-------------|--------|---------|
| 1 | 588 88 40-01 | ADAPTER | | 1 |
| 2 | 514 15 55-01 | SHAFT | | 1 |
| 3 | 514 15 56-01 | WEIGHT | | 1 |