

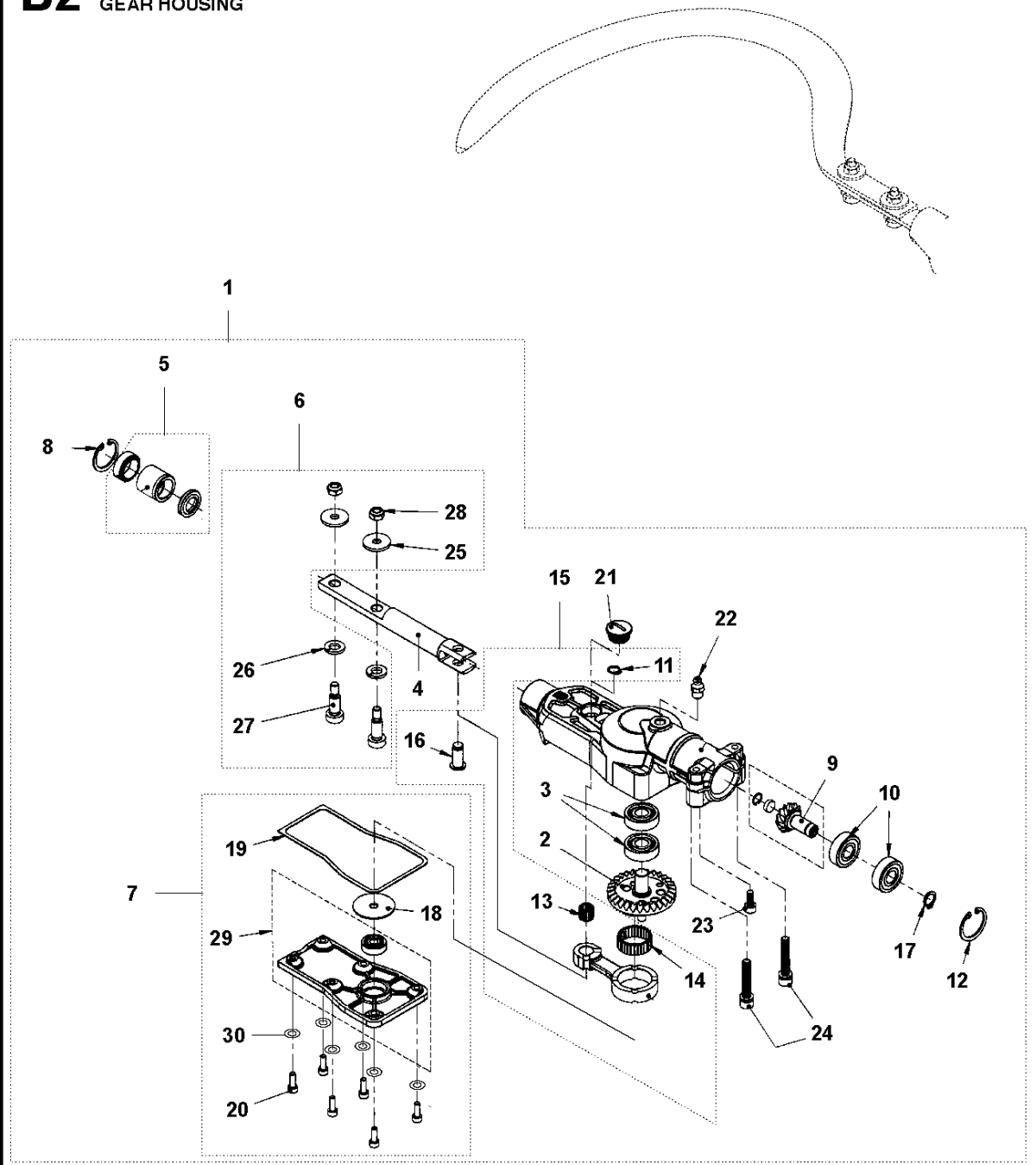


# SPARE PARTS LIST

PALM CUTTER

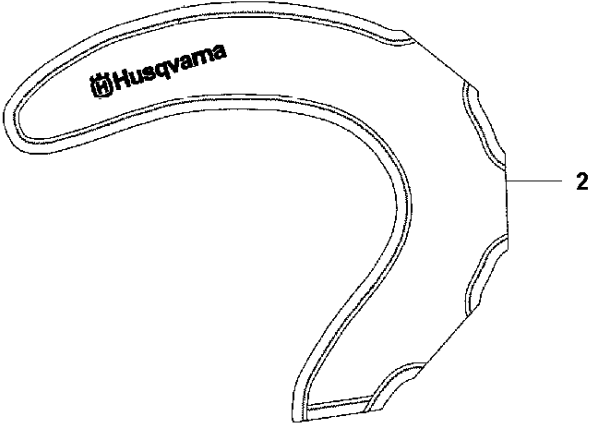
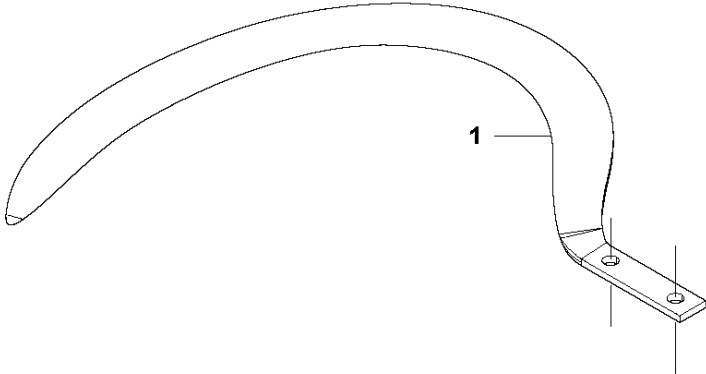
226 PTC6

**B2** 226 PTC6  
GEAR HOUSING



Ref	Part No	Description	Remark	QTY	KIT
1	587 50 12-01	GEAR CASE		1	
2	587 50 16-01	BEVEL GEAR		1	1
3	587 50 15-01	BEARING		2	1
4	587 50 21-01	SHAFT		1	1
5	588 53 29-01	SEALING		1	1
6	588 53 27-01	BOLT		1	1
7	588 53 30-01	COVER		1	1
8	587 50 25-01	SNAP RING		1	1
9	587 50 17-01	PINION		1	1
10	587 83 87-01	BEARING		2	1
11	587 50 31-01	SNAP RING		1	1, 15
12	587 50 20-01	SNAP RING		1	1
13	587 50 29-01	BEARING		1	1, 15
14	587 50 28-01	BEARING		1	1, 15
15	588 53 32-01	CONNECTING ROD		1	1
16	587 50 26-01	PIN		1	1, 15
17	587 50 19-01	SNAP RING		1	1
18	587 50 30-01	SPACER		1	1, 7
19	587 50 32-01	GASKET		1	1, 7
20	587 50 35-01	BOLT		6	1, 7
21	587 50 36-01	CAP		1	1
22	587 50 37-01	NIPPLE		1	1
23	587 49 69-01	BOLT		1	1
24	587 50 39-01	BOLT		2	1
25	587 50 40-01	WASHER		2	36
26	587 50 41-01	WASHER		2	36
27	587 50 42-01	BOLT	12mm (when not using hook)	2	1, 6
28	587 49 93-01	NUT		2	36
30	501 15 72-01	WASHER		6	1, 7
29	588 62 99-01	COVER		1	1, 7

**A2** 226 PTC6  
CUTTING EQUIPMENT



CUTTING EQUIPMENT

226 PTC6

Ref	Part No	Description	Remark	QTY KIT
1	587 62 98-01	CUTTER		1
2	588 60 33-01	COVER	for 587 62 98-01	1

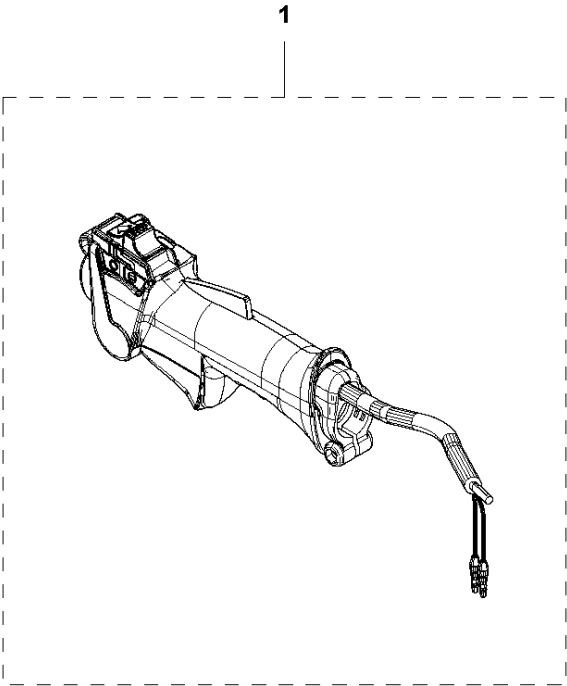


## SHAFT

226 PTC6

Ref	Part No	Description	Remark	QTY	KIT
1	587 58 26-01	SHAFT		1	
2	588 53 20-01	DRIVE SHAFT		1	1
3	582 81 65-01	JOINT		1	1
4	588 53 17-01	TUBE		1	1
5	587 49 68-01	BOLT		2	1, 3
7	587 49 60-01	TUBE		1	1, 2
15	587 49 70-01	SPRING		4	1
16	587 49 62-01	HOLDER		3	1, 2
19	587 49 71-01	TUBE		1	1
31	582 86 39-01	JOINT		1	1
34	587 49 68-01	BOLT		1	1, 31
39	587 49 88-01	SWIVEL		1	1
43	587 49 95-01	BOLT		1	1, 39
44	587 49 94-01	NUT		1	1, 39
48	587 49 96-01	BOLT		1	1, 39
49	590 14 56-01	SWIVEL		1	39
50	588 53 22-01	KNOB		2	31, 39
52	588 53 21-01	DRIVE SHAFT		1	1, 2

**D** 226 PD3, 226PTC6  
THROTTLE CONTROLS

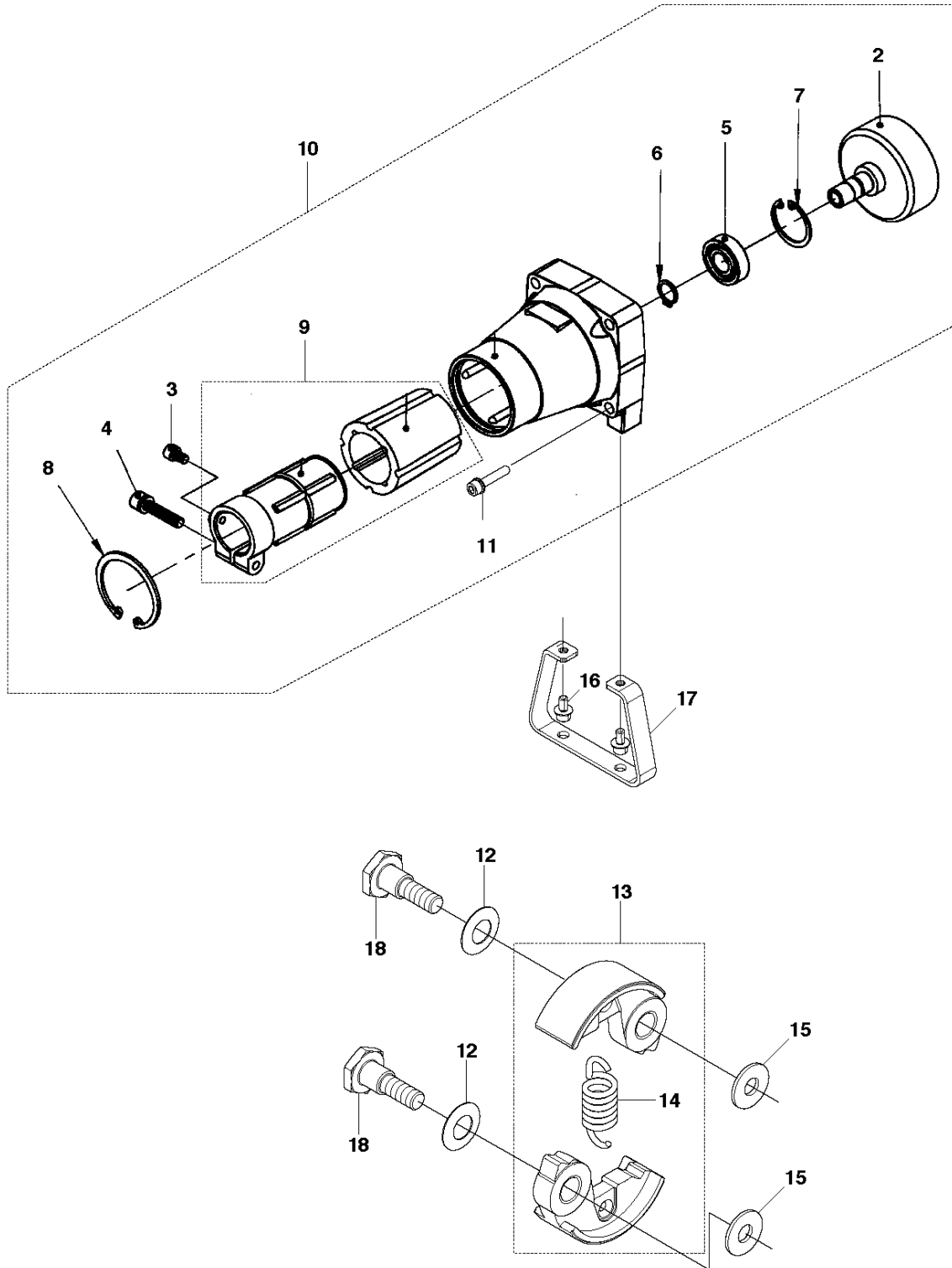


THROTTLE CONTROLS

226 PTC6

Ref	Part No	Description	Remark	QTY KIT
1	587 49 99-01	THROTTLE HANDLE		1

**E** 226 PD3, 226PTC6  
CLUTCH

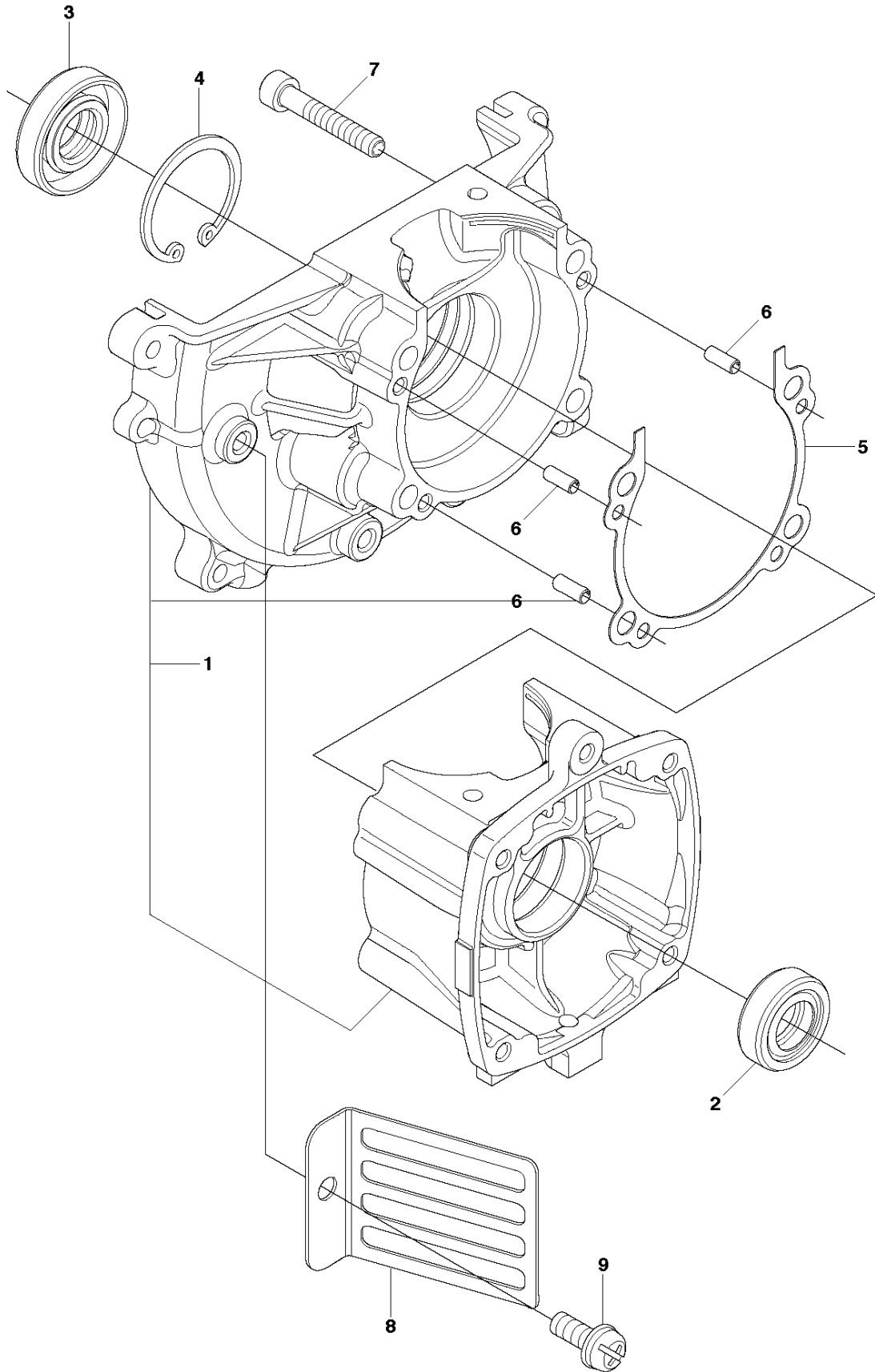


## CLUTCH

226 PTC6

Ref	Part No	Description	Remark	QTY	KIT
2	587 50 03-01	CLUTCH DRUM		1	10
3	588 72 92-01	BOLT		1	10
4	587 49 68-01	BOLT		1	10
5	587 50 04-01	BEARING		1	10
6	587 50 05-01	SNAP RING		1	10
7	587 50 06-01	SNAP RING		1	10
8	587 50 10-01	SNAP RING		1	10
9	588 63 03-01	ABSORBER		1	10
10	587 50 00-01	HOUSING		1	
11	587 50 48-01	BOLT		4	10
12	513 18 95-01	WASHER		2	
13	515 38 91-01	SHOE		1	
14	515 38 93-01	SPRING		1	13
15	505 05 44-01	WASHER		2	
16	587 50 61-01	BOLT		2	
17	587 50 60-01	STAND		1	
18	513 18 96-01	SCREW		2	

**F** 226 PD3, 226 PTC6  
CRANKCASE

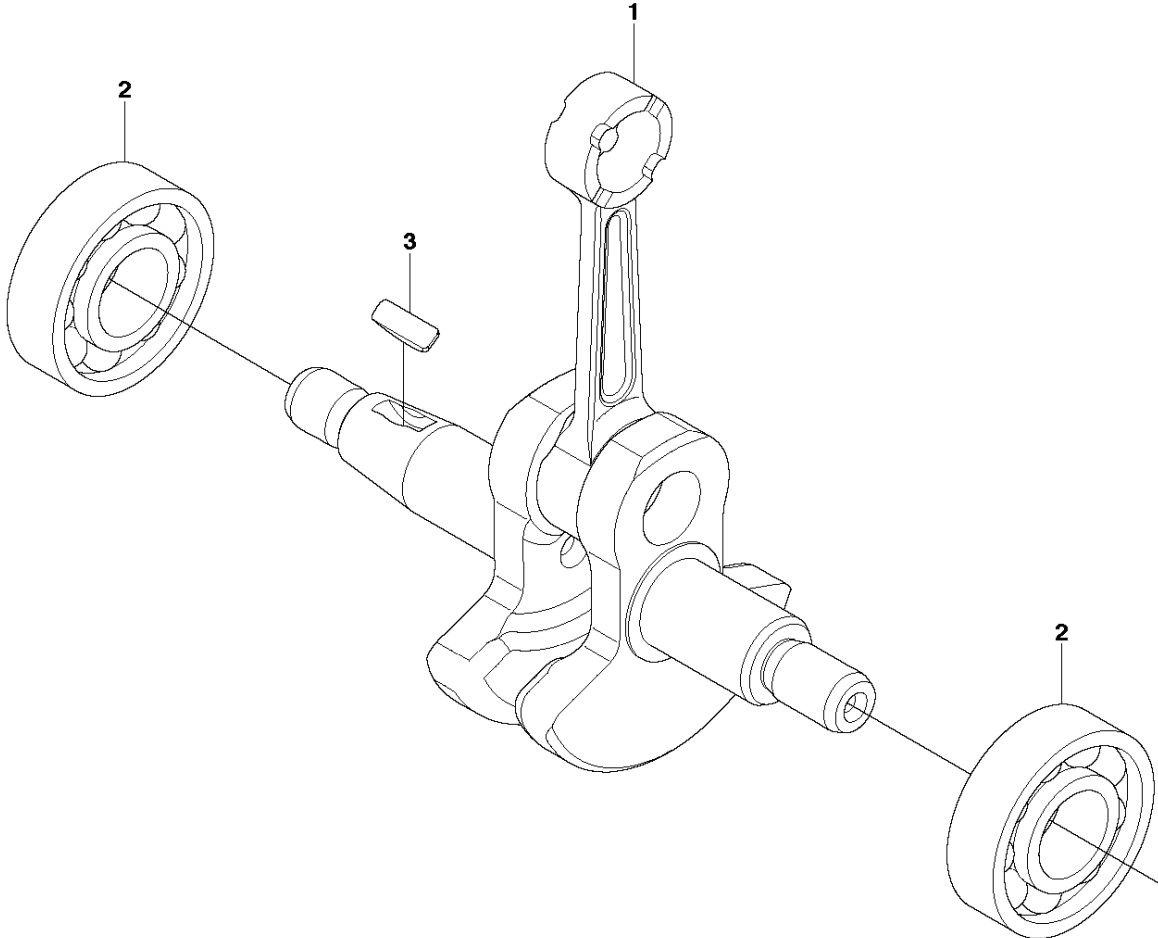


CRANKCASE

226 PTC6

Ref	Part No	Description	Remark	QTY	KIT
1	515 49 00-01	CRANKCASE		1	
2	513 48 87-01	SEAL		1	
3	506 61 29-01	SEAL		1	
4	506 60 99-01	SNAP RING		1	
5	515 41 24-01	GASKET		1	
6	505 29 61-01	PIN		3	1
7	506 60 94-01	BOLT		4	
8	515 41 26-01	GUARD		1	
9	505 29 98-01	SCREW		1	

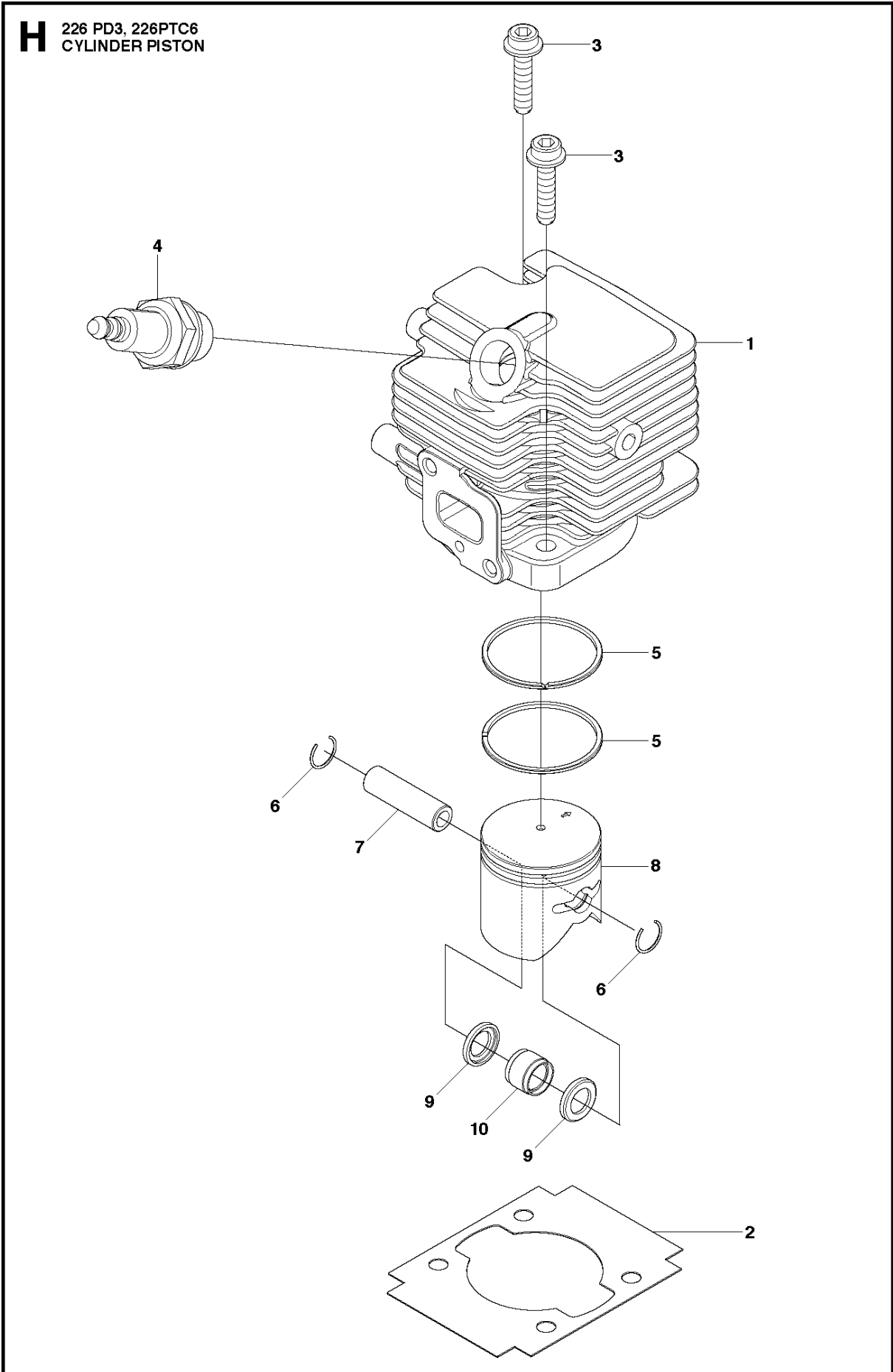
**G** 226 PD3, 226 PTC6  
CRANKSHAFT



CRANKSHAFT

226 PTC6

Ref	Part No	Description	Remark	QTY KIT
1	526 52 91-01	CRANKSHAFT		1
2	523 07 17-01	BEARING		2
3	506 68 94-01	KEY		1

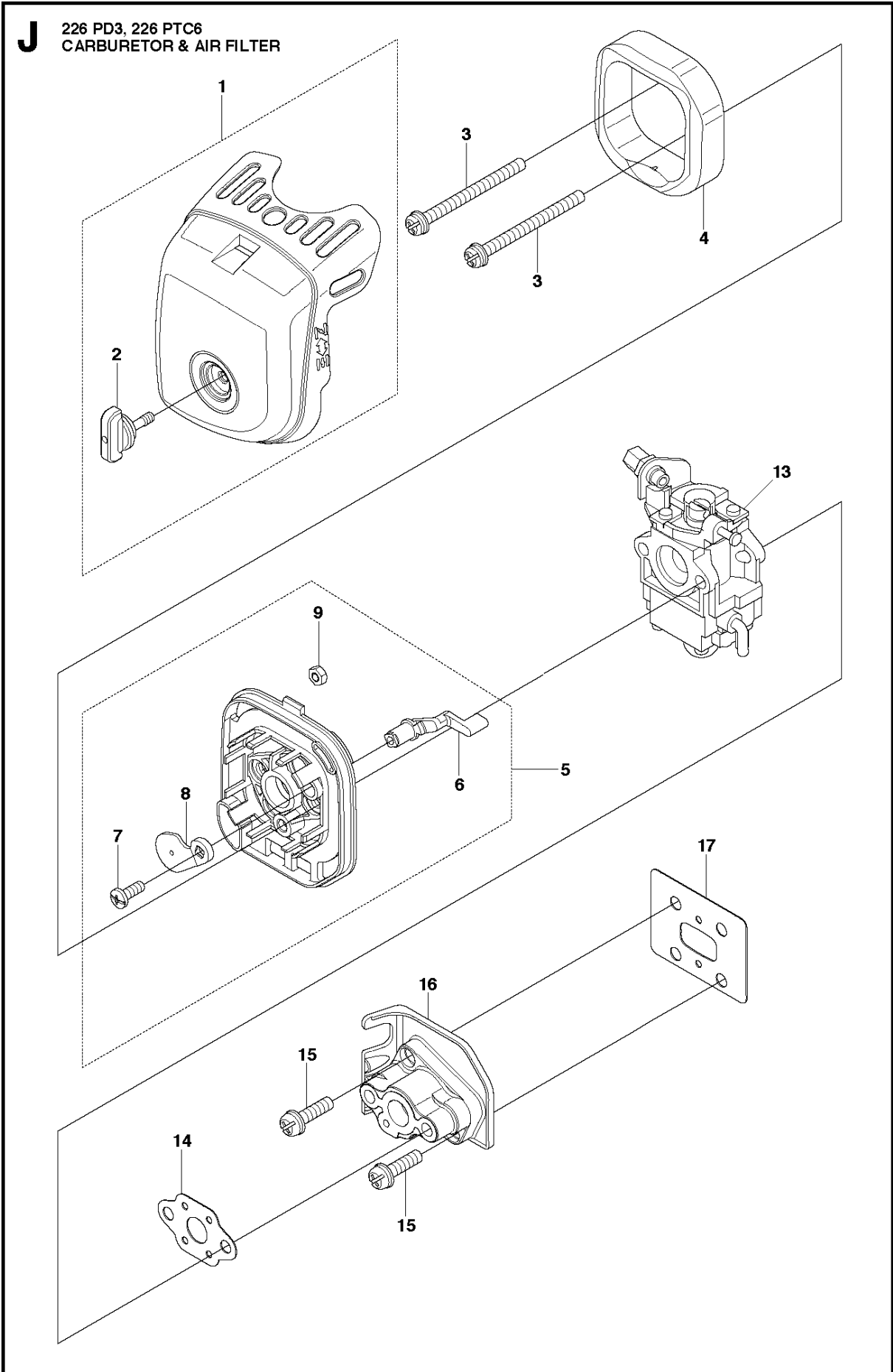


## CYLINDER PISTON

226 PTC6

Ref	Part No	Description	Remark	QTY KIT
1	525 95 70-01	CYLINDER		1
2	515 40 88-01	GASKET		1
3	513 41 25-01	BOLT		2
4	515 44 86-01	SPARKPLUG.RCJ6Y	Plug (RCJ6Y)	1
5	529 25 10-01	PISTON RING		2
6	505 04 52-01	RING		2
7	505 04 07-01	PIN		1
8	515 49 18-01	PISTON		1
9	505 04 10-01	WASHER		2
10	505 04 09-01	BEARING		1

**J** 226 PD3, 226 PTC6  
CARBURETOR & AIR FILTER

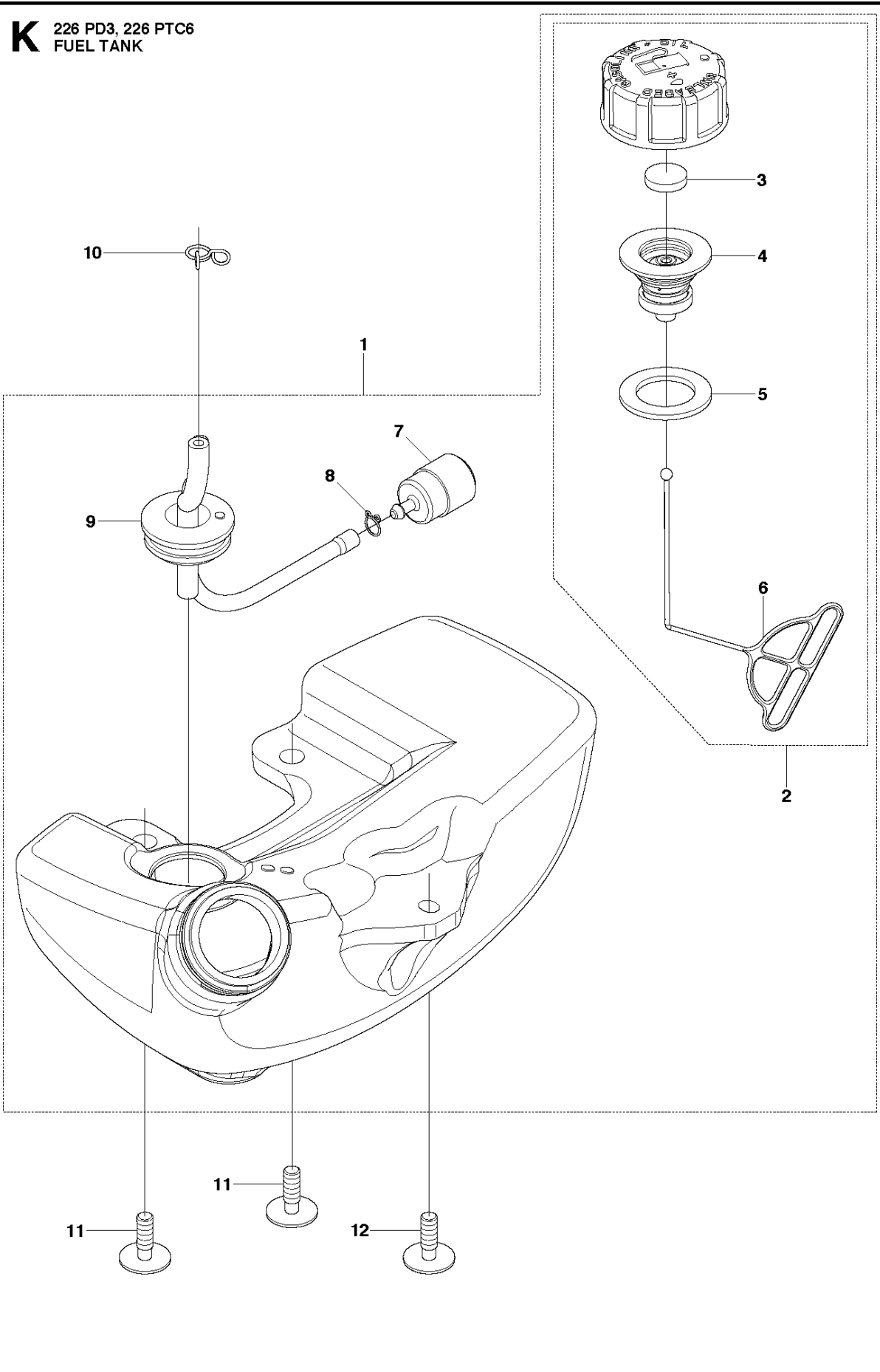


## CARBURETOR &amp; AIR FILTER

226 PTC6

Ref	Part No	Description	Remark	QTY	KIT
1	527 91 85-01	COVER		1	
2	523 07 13-01	KNOB		1	1
3	510 48 31-01	SCREW		2	
4	515 41 73-01	AIR FILTER		1	
5	512 36 27-01	BODY		1	
6	512 36 29-01	LEVER		1	5
7	506 61 40-01	SCREW		1	5
8	512 36 28-01	PLATE.CHOKE		1	5
9	513 45 49-01	SLEEVE		2	5
13	512 36 41-01	CARBURETOR-A		1	
14	515 40 99-01	GASKET		1	
15	510 48 23-01	SCREW		2	
16	512 35 96-01	INSULATOR		1	
17	515 40 90-01	GASKET		1	

**K** 226 PD3, 226 PTC6  
FUEL TANK

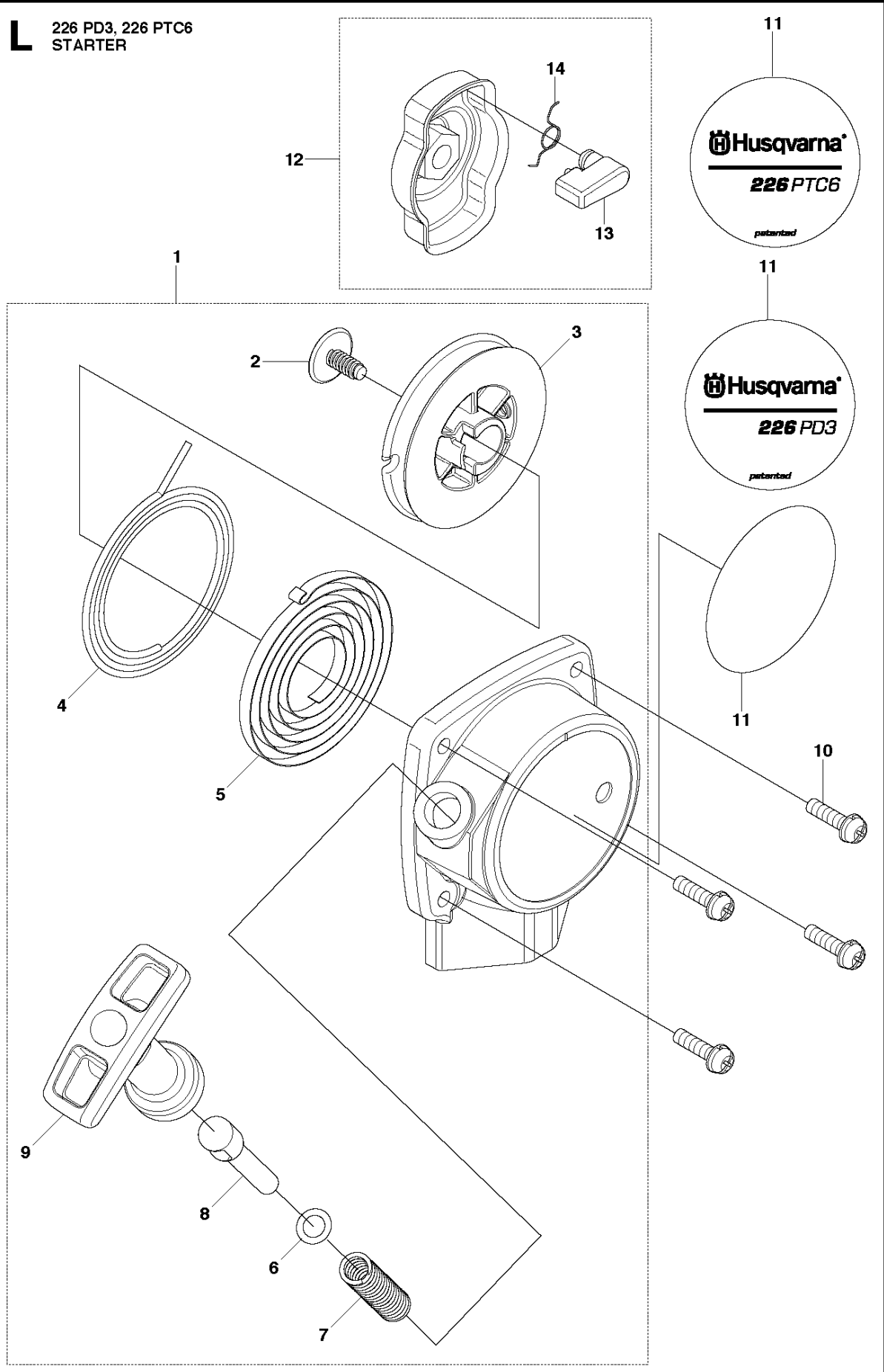


## FUEL TANK

226 PTC6

Ref	Part No	Description	Remark	QTY	KIT
1	521 77 06-01	TANK ASSY		1	
2	515 45 29-01	CAP		1	1
3	506 74 68-01	FILTER		1	1, 2
4	515 44 78-01	HOLDER		1	1, 2
5	515 41 83-01	PACKING		1	1, 2
6	506 74 58-01	STOPPER		1	1, 2
7	515 41 85-01	FILTER		1	1
8	506 70 70-01	CLIP		1	1
9	515 41 84-01	PIPE		1	1
10	506 74 15-01	CLIP		1	
11	515 41 87-01	SCREW		2	
12	515 49 25-01	SCREW		1	

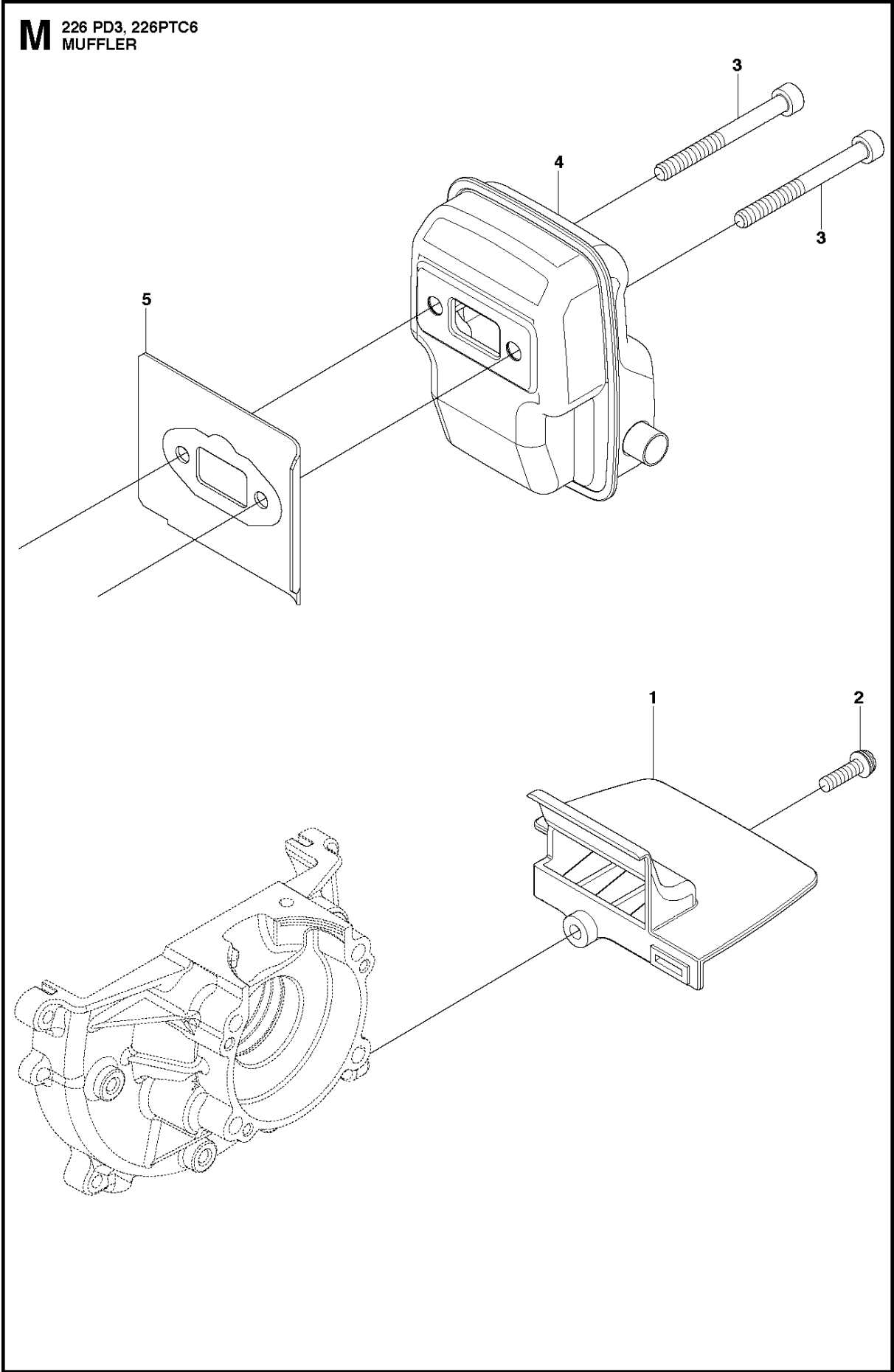
**L** 226 PD3, 226 PTC6  
STARTER



## STARTER

226 PTC6

Ref	Part No	Description	Remark	QTY	KIT
1	527 91 81-01	STARTER ASSY		1	
2	506 61 30-01	SCREW		1	1
3	513 41 68-01	REEL		1	1
4	521 75 94-01	ROPE		1	1
5	504 11 50-01	SPIRAL SPRING		1	1
6	521 75 96-01	WASHER		1	1
7	521 75 99-01	SPRING		1	1
8	521 75 98-01	COLLAR		1	1
9	521 75 97-01	KNOB		1	1
10	512 36 10-01	SCREW		4	
11	587 50 44-01	DECAL	226PTC6	1	
11	587 50 44-02	DECAL	226PD3	1	
12	513 41 73-01	PULLEY		1	
13	513 41 77-01	RATCHET		1	12
14	513 41 78-01	SPRING		1	12

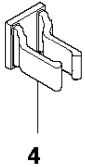
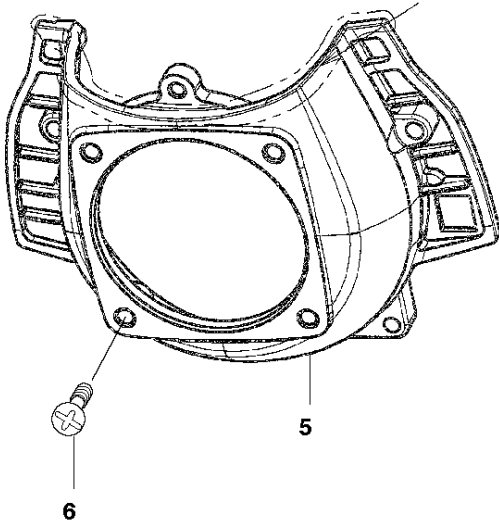
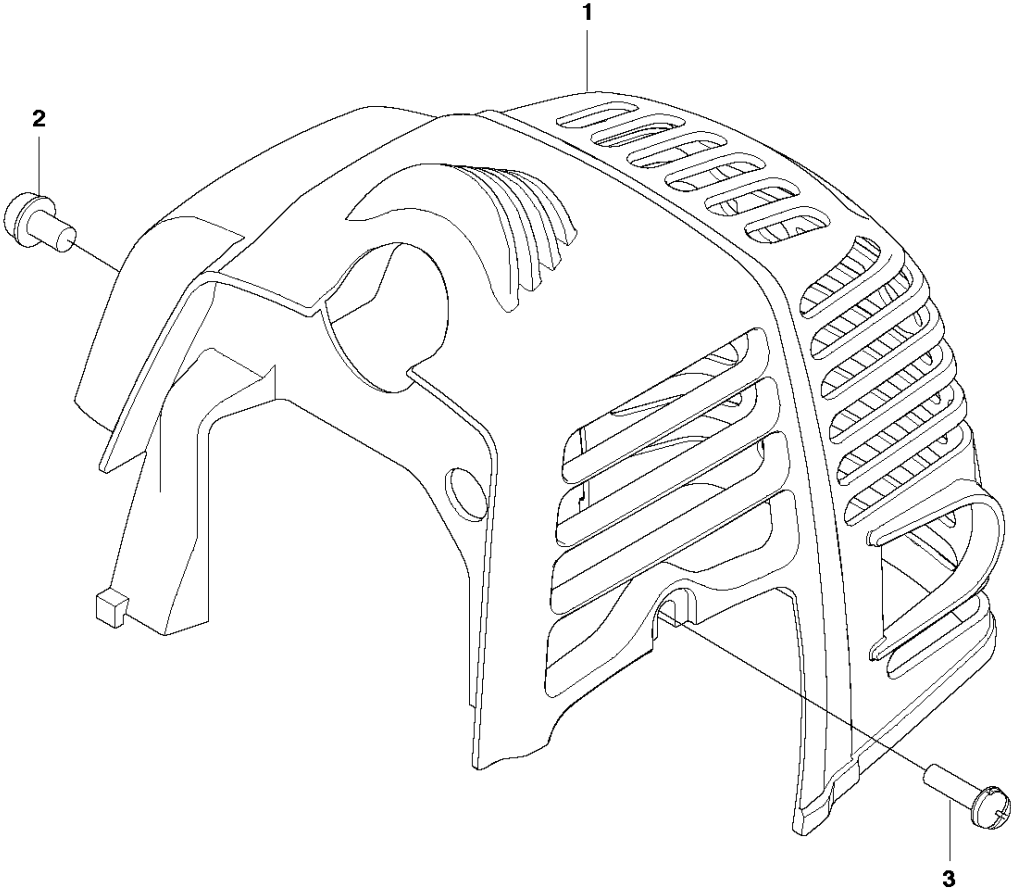


MUFFLER

226 PTC6

Ref	Part No	Description	Remark	QTY KIT
1	515 41 21-01	PLATE.MUFFLER		1
2	510 48 16-01	SCREW		1
3	516 07 14-01	BOLT		2
4	512 35 97-01	MUFFLER		1
5	512 33 29-01	GASKET		1

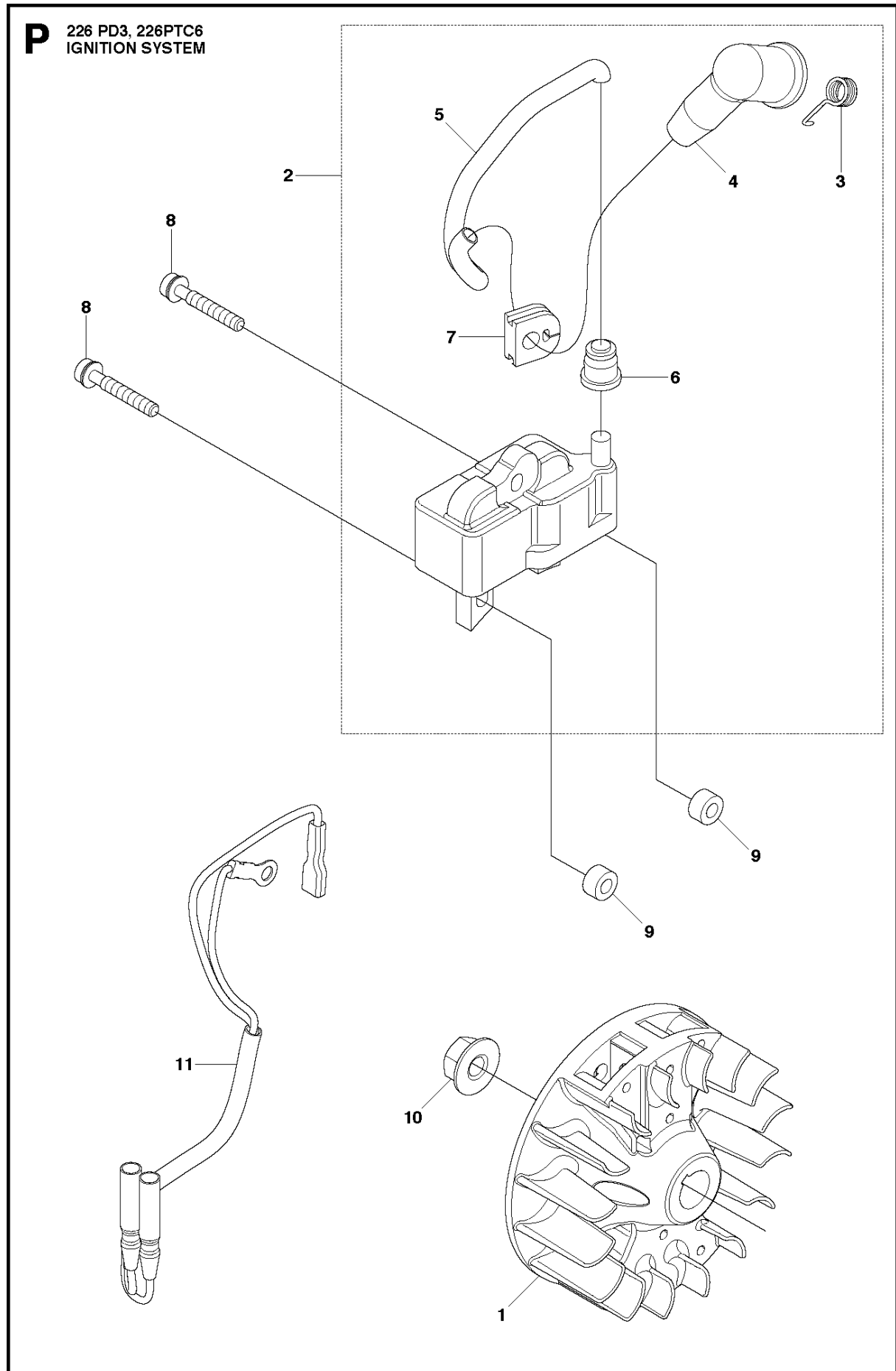
**N** 226 PD3, 226 PTC6  
CYLINDER COVER



CYLINDER COVER

226 PTC6

Ref	Part No	Description	Remark	QTY KIT
1	577 78 83-01	CYLINDER COVER		1
2	510 48 18-01	SCREW		1
3	512 36 10-01	SCREW		1
4	521 75 88-01	CLAMP		1
5	574 38 50-01	COVER		1
6	510 48 23-01	SCREW		4

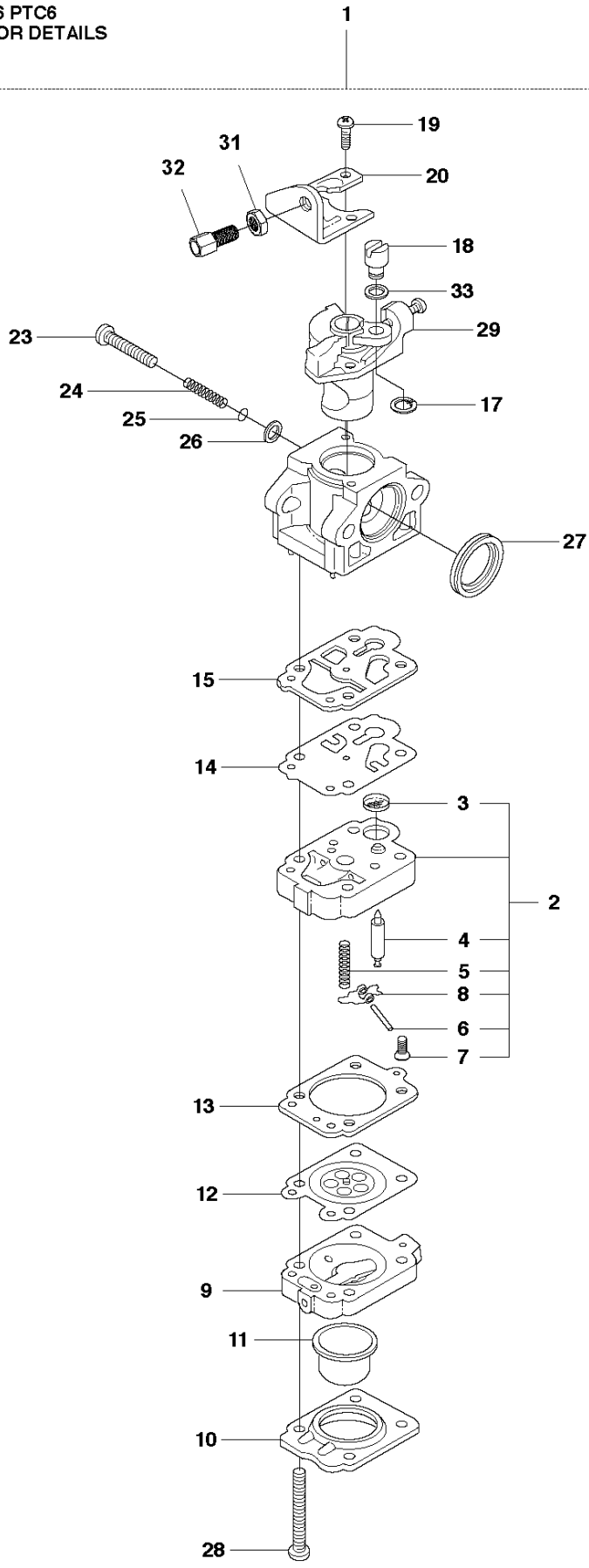


## IGNITION SYSTEM

226 PTC6

Ref	Part No	Description	Remark	QTY	KIT
1	521 76 93-01	ROTOR		1	
2	512 36 16-01	COIL		1	
3	515 41 52-01	SPRING		1	2
4	505 29 88-01	HUB CAP		1	2
5	512 36 17-01	CORD		1	2
6	505 04 28-01	HUB CAP		1	2
7	515 41 53-01	GROMMET		1	2
8	514 18 68-01	BOLT		2	
9	521 76 97-01	SPACER		2	
10	504 11 80-01	NUT		1	
11	512 36 19-01	CORD		1	

**Q** 226 PD3, 226 PTC6  
CARBURETOR DETAILS



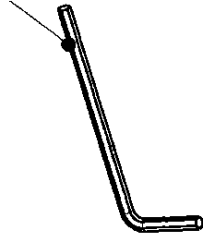
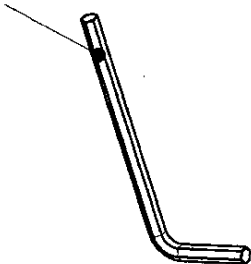
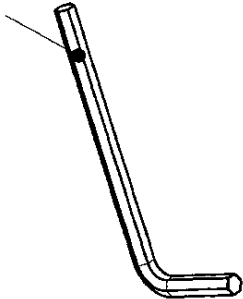
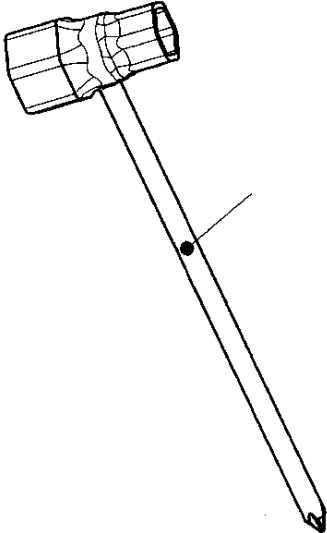
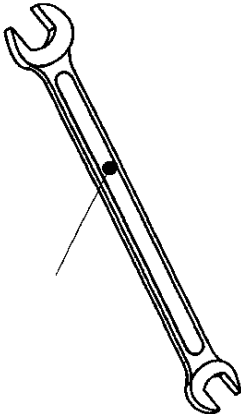
## CARBURETOR DETAILS

226 PTC6

Ref	Part No	Description	Remark	QTY	KIT
1	512 36 41-01	CARBURETOR-A		1	
2	513 41 08-01	BODY		1	1
3	520 95 70-01	SCREEN		1	1, 2
4	521 08 54-01	VALVE.INLET		1	1, 2
5	513 41 07-01	SPRING		1	1, 2
6	520 97 74-01	PIN		1	1, 2
7	505 30 61-01	SCREW		1	1, 2
8	520 97 72-01	LEVER		1	1, 2
9	506 74 09-01	BODY		1	1
10	506 74 10-01	COVER		1	1
11	505 30 67-01	PUMP		1	1
12	505 30 68-01	DIAPHRAGM		1	1
13	506 74 08-01	GASKET		1	1
14	506 68 98-01	DIAPHRAGM		1	1
15	506 74 51-01	GASKET		1	1
17	506 73 86-01	RETAINER RING		1	1
18	506 74 12-01	SWIVEL		1	1
19	505 30 79-01	SCREW		2	1
20	506 74 60-01	BRACKET		1	1
23	512 37 34-01	NEEDLE		1	1
24	513 30 15-01	SPRING		1	1
25	513 43 78-01	O-RING		1	1
26	513 43 77-01	WASHER		1	1
27	505 30 84-01	RING		1	1
28	506 74 11-01	SCREW		4	1
29	521 77 01-01	VALVE ASSY		1	1
31	506 61 26-01	NUT		1	1
32	506 74 13-01	SCREW		1	1
33	506 74 61-01	WASHER		1	1

**R** 226 PD3, 226 PTC6  
ACCESSORIES

1

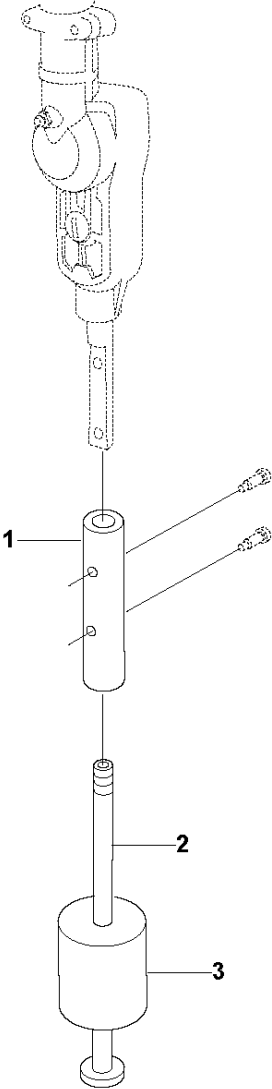


ACCESSORIES

226 PTC6

Ref	Part No	Description	Remark	QTY KIT
1	587 50 52-01	TOOL		1

**S** 226 PD3, 226 PTC6  
MAINTENANCE TOOLS



TOOLS

226 PTC6

Ref	Part No	Description	Remark	QTY KIT
1	588 88 40-01	ADAPTER		1
2	514 15 55-01	SHAFT		1
3	514 15 56-01	WEIGHT		1