

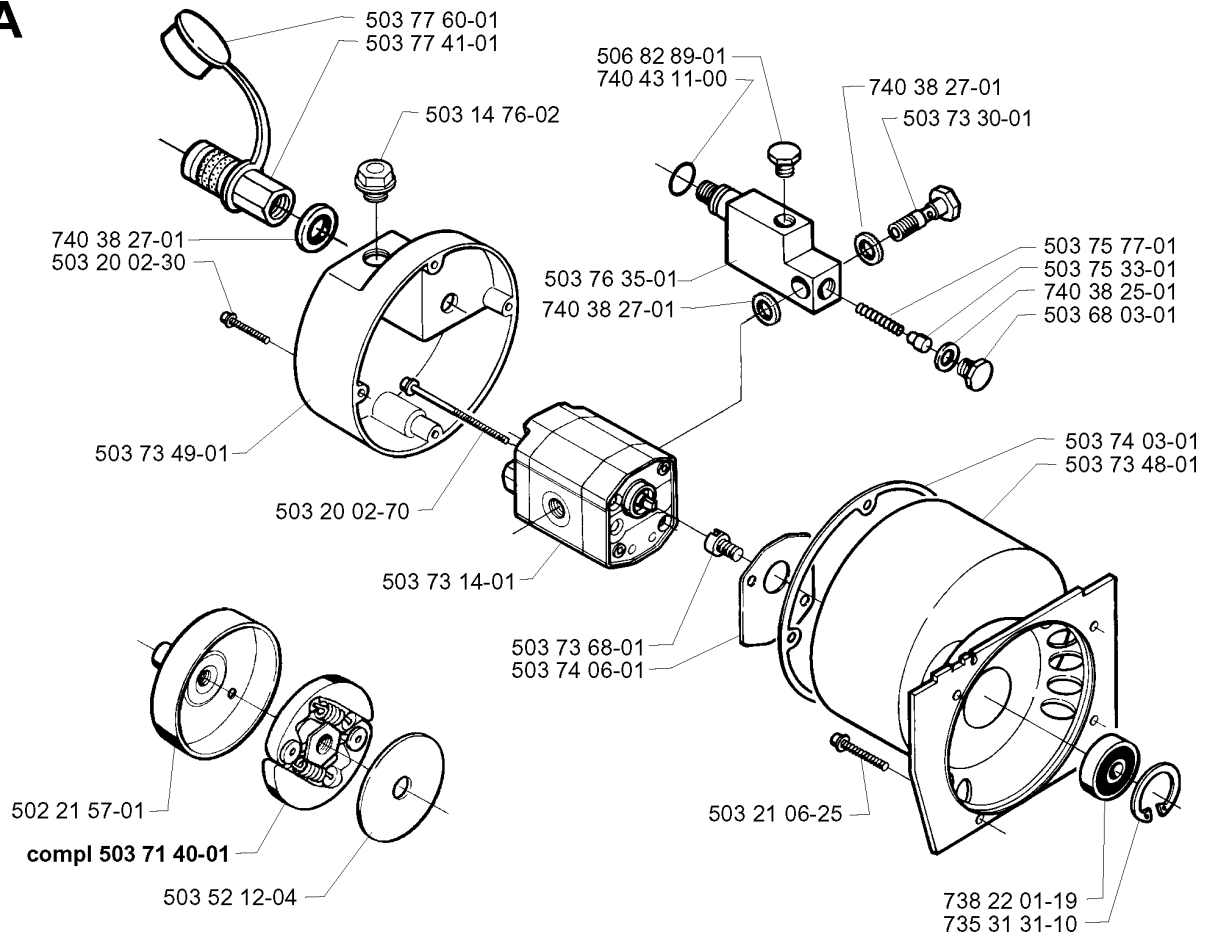


# SPARE PARTS LIST

POLE PRUNER/POLE SAWS

235P, 19970500001-Current

**A**



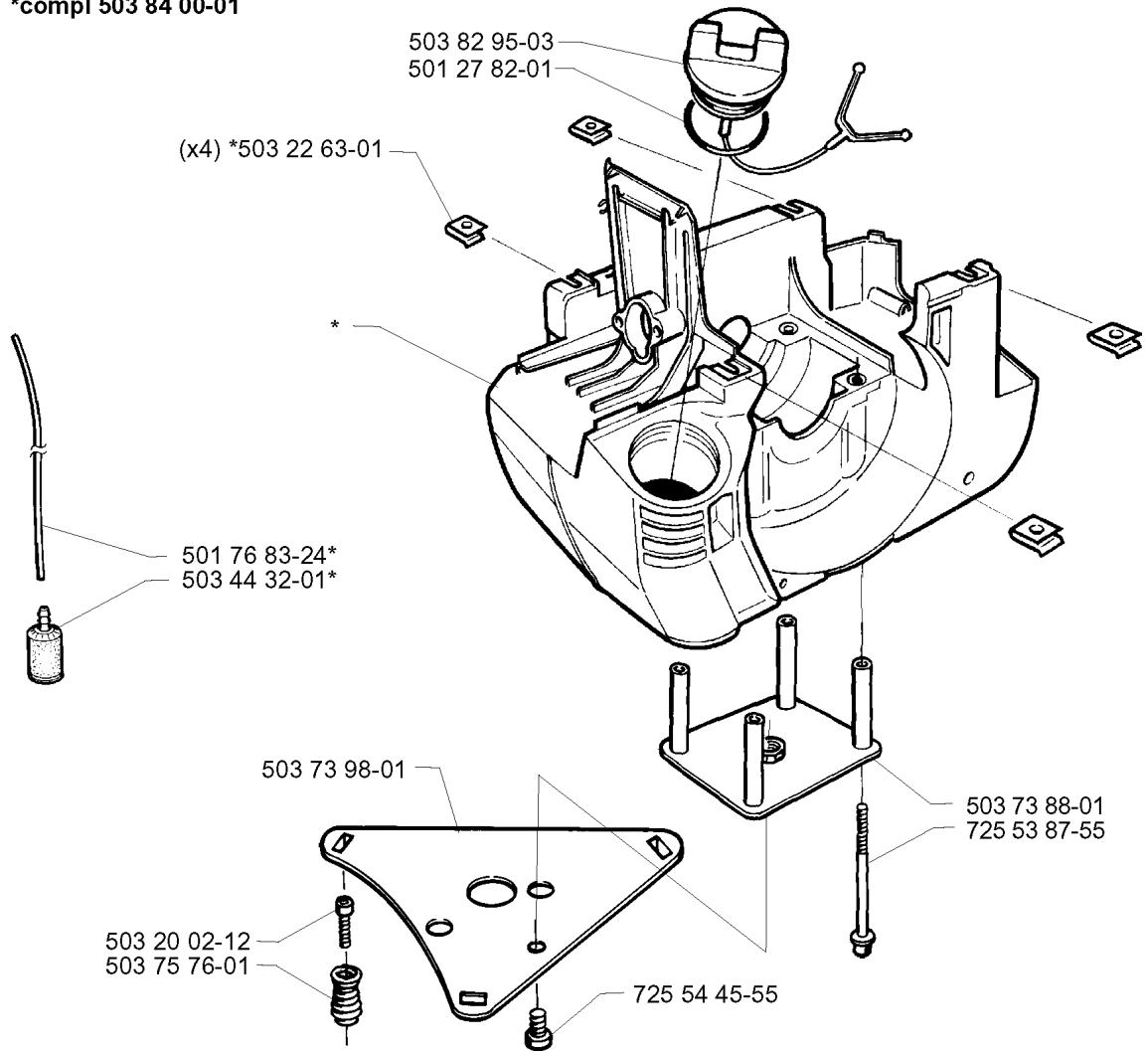
## HYDRAULIC PUMP - MOTOR

235P, 19970500001-Current

Part No	Description	Remark	QTY KIT
502 21 57-01	CLUTCH DRUM ASSY		1
503 14 76-02	OIL GLASS		1
503 20 02-30	SCREW IHSCFM		1
503 20 02-70	SCREW IHSCFM		1
503 21 06-25	SCREW IHSCFT		1
503 52 12-04	WASHER		1
503 68 03-01	PLUG		1
503 71 40-01	CLUTCH ASSY		1
503 73 14-01	HYDRAULIC PUMP		1
503 73 30-01	SCREW		1
503 73 48-01	PUMP HOUSING		1
503 73 49-01	HUB CAP		1
503 73 68-01	CLUTCH SLEEVE		1
503 74 03-01	GASKET		1
503 74 06-01	GASKET		1
503 75 33-01	VALVE CONE		1
503 75 77-01	SPRING		1
503 76 35-01	VALVE HOUSING		1
503 77 41-01	KOPPLING KROPP		1
503 77 60-01	DUST COVER		1
735 31 31-10	CIRCLIP		1
738 22 01-19	BALL BEARING		1
740 38 25-01	SEALING WASHER		1
740 38 27-01	SEALING WASHER		1
740 38 27-01	SEALING WASHER		1
740 38 27-01	SEALING WASHER		1



\*compl 503 84 00-01

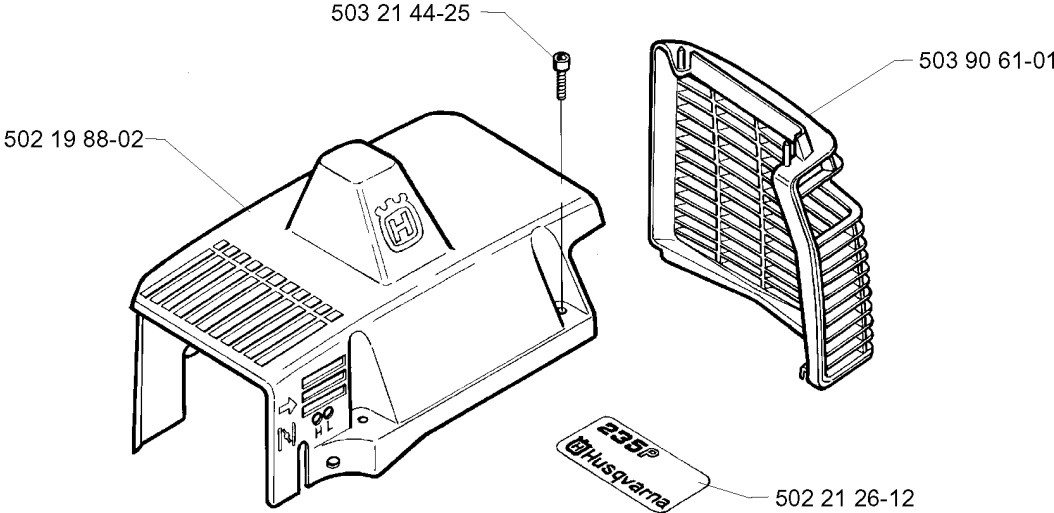


## CRANKCASE

235P, 19970500001-Current

Part No	Description	Remark	QTY KIT
501 27 82-01	GASKET		1
501 76 83-24	FUEL HOSE		1
503 20 02-12	SCREW IHSCFM		1
503 22 63-01	NUT QUICK-COUPLING		4
503 44 32-01	FUEL FILTER		1
503 73 88-01	BRACKET		1
503 73 98-01	BACKING PLATE		1
503 75 76-01	SPRING		1
503 82 95-03	TANK CAP		1
503 84 00-01	CRANKCASE		1
725 53 87-55	SCREW		1
725 54 45-55	SCREW IHSCM		1

C

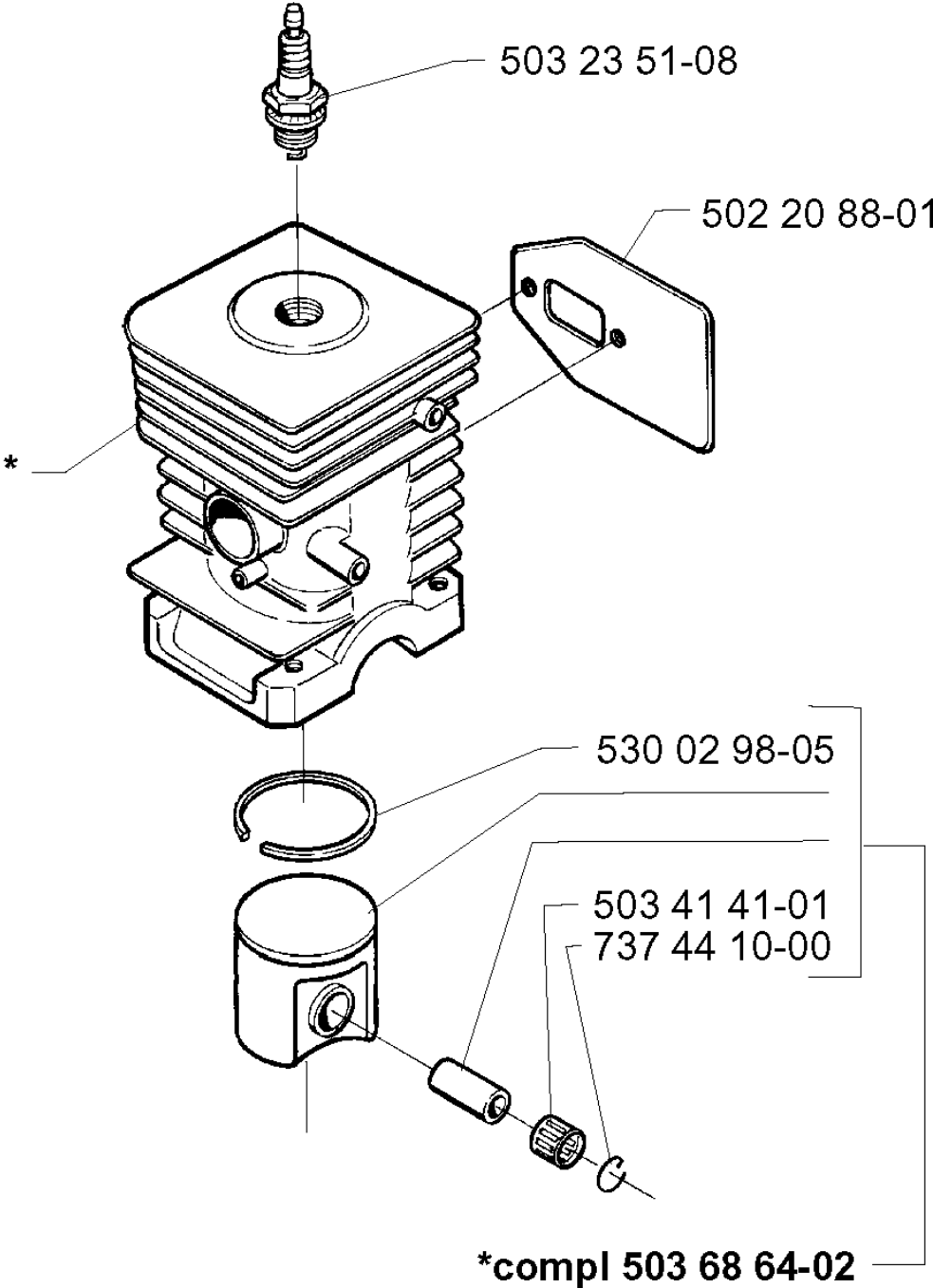


CYLINDER COVER

235P, 19970500001-Current

Part No	Description	Remark	QTY KIT
502 19 88-02	CYLINDER COVER		1
502 21 26-12	DECAL		1
503 21 44-25	SCREW IHSCFTO		1
503 90 61-01	HEAT PROTECTOR		1

**D** \*compl 503 69 46-01



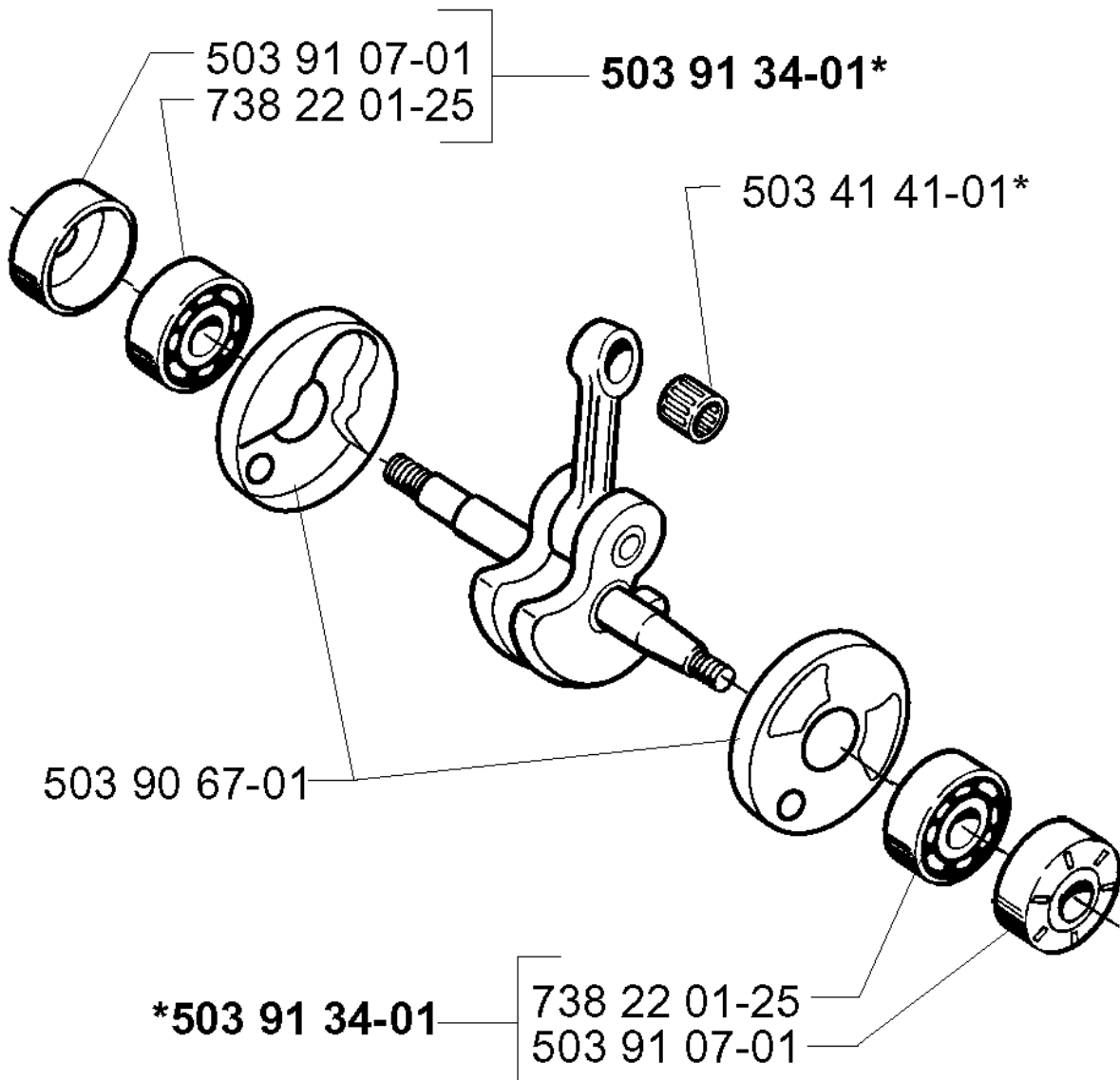


CYLINDER PISTON

235P, 19970500001-Current

Part No	Description	Remark	QTY KIT
502 20 88-01	GASKET		1
503 23 51-08	SPARK PLUG		1
503 41 41-01	NEEDLE BEARING		1
503 68 64-02	PISTON ASSY		1
503 69 46-01	PISTON		1
530 02 98-05	PISTON RING		1
737 44 10-00	SNAP RING		1

# G \*compl 502 21 28-03

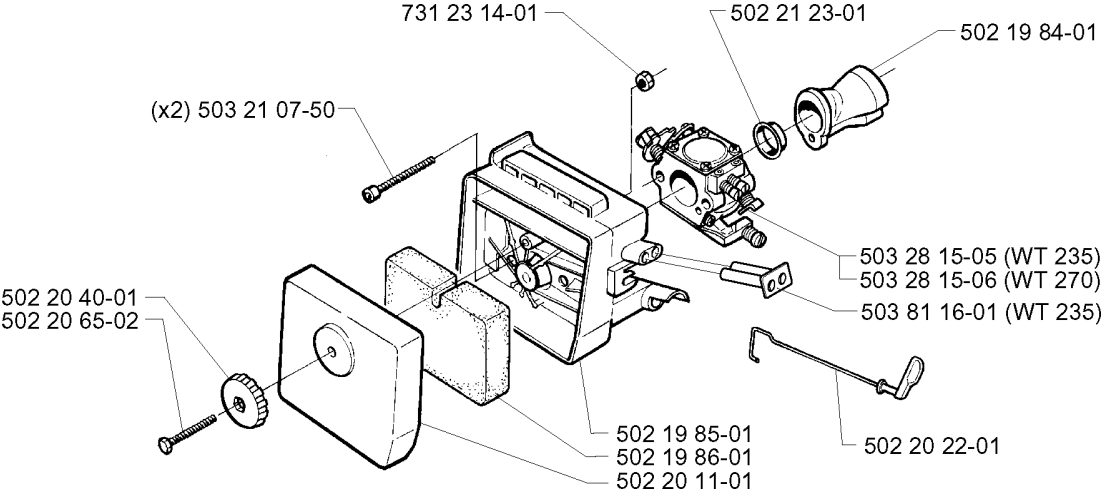


## CRANKSHAFT

235P, 19970500001-Current

Part No	Description	Remark	QTY KIT
502 21 28-03	CRANKSHAFT ASSY		1
503 41 41-01	NEEDLE BEARING		1
503 90 67-01	CUP		1
503 91 07-01	BEARING CAGE		1
503 91 07-01	BEARING CAGE		1
503 91 34-01	BEARING CAGE		1
503 91 34-01	BEARING CAGE		1
738 22 01-25	BALL BEARING		1
738 22 01-25	BALL BEARING		1

**K**

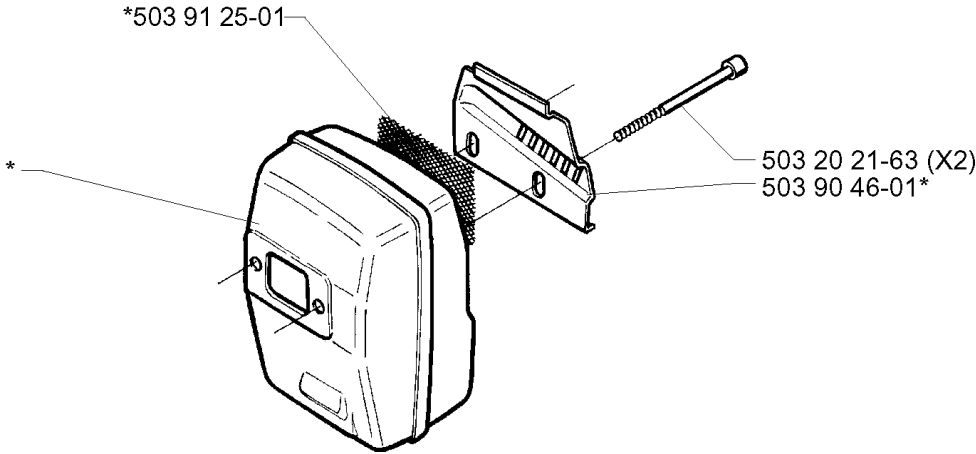


## CARBURETOR &amp; AIR FILTER

235P, 19970500001-Current

Part No	Description	Remark	QTY KIT
502 19 84-01	INLET PIPE		1
502 19 85-01	FILTER HOLDER		1
502 19 86-01	AIR FILTER		1
502 20 11-01	FILTER COVER		1
502 20 22-01	CHOKE CONTROL		1
502 20 40-01	KNOB		1
502 20 65-02	SCREW EHHM		1
502 21 23-01	SUPPORT RING		1
503 21 07-50	SCREW IHSCFT		2
503 28 15-05	CARBURETTOR	WT 235	1
503 28 15-06	CARBURETTOR	WT 270	1
503 81 16-01	GUIDE BUSHING	WT 235	1
731 23 14-01	HEXAGON NUT		1

**E** \*compl 503 90 47-01

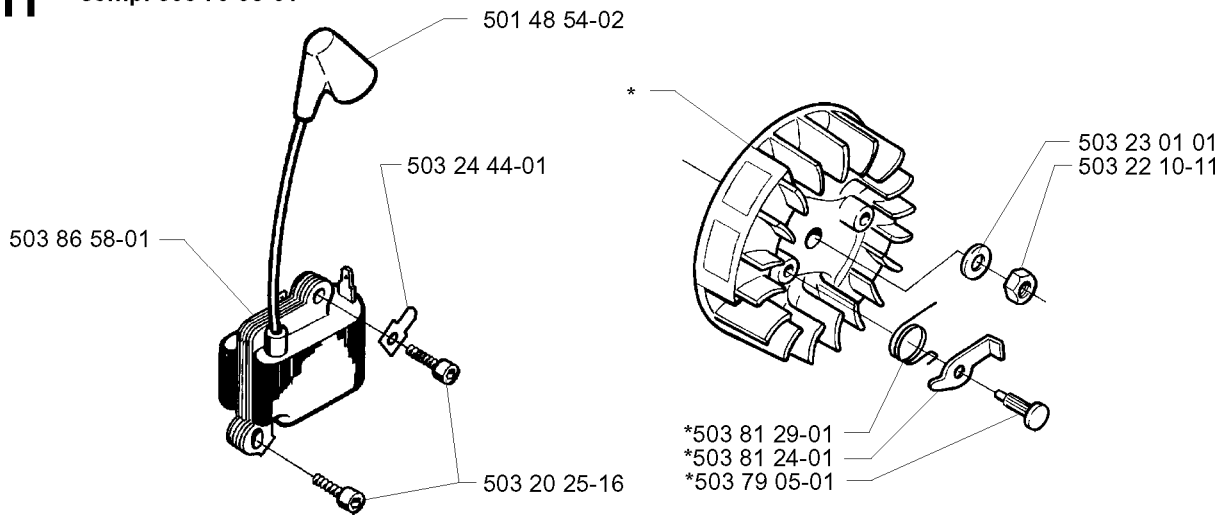


## MUFFLER

235P, 19970500001-Current

Part No	Description	Remark	QTY KIT
503 20 21-63	SCREW IHSCM		2
503 90 46-01	EXHAUST DUCT		2
503 90 47-01	MUFFLER ASSY		1
503 91 25-01	SPARK ARRESTER SCREEN		1

**H** \*compl 503 79 06-01





## IGNITION SYSTEM

235P, 19970500001-Current

Part No	Description	Remark	QTY KIT
501 48 54-02	SPARK PLUG CAP		1
503 20 25-16	SCREW IHSCM		1
503 22 10-11	HEXAGON NUT		1
503 23 01-01	WASHER		1
503 24 44-01	FLAT PIN		1
503 79 05-01	RIVET		1
503 79 06-01	FLYWHEEL		1
503 81 24-01	STARTER PAWL		1
503 81 29-01	SPRING		1
503 86 58-01	ELECTRONIC MODULE		1

**M**

\*compl 502 18 95-01

\*530 03 71-60  
\*505 30 51-25

\*503 21 06-16  
\*503 23 00-35  
\*502 19 89-01

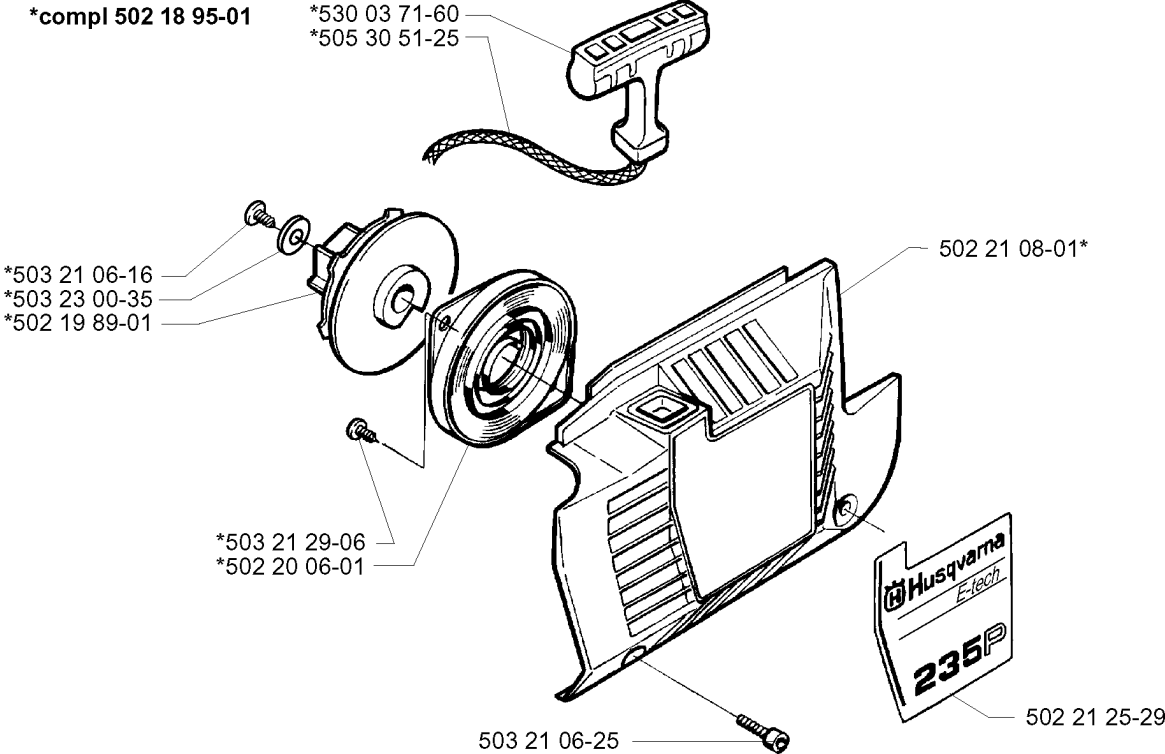
\*503 21 29-06  
\*502 20 06-01

503 21 06-25

502 21 08-01\*



502 21 25-29

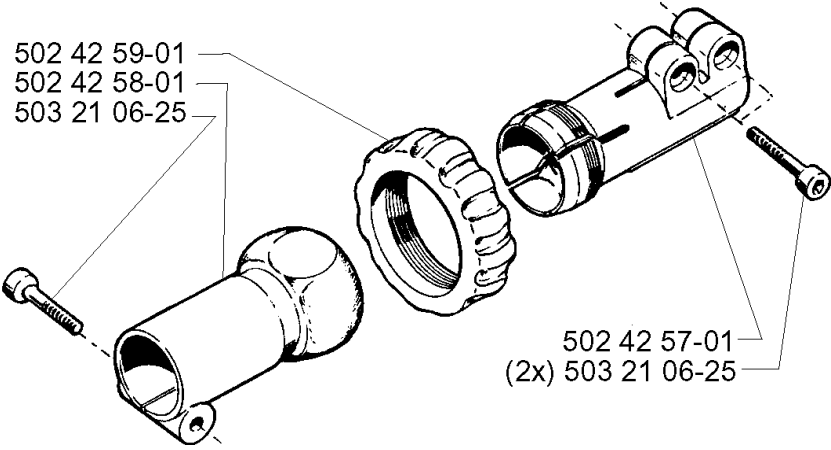


## STARTER

235P, 19970500001-Current

Part No	Description	Remark	QTY KIT
502 18 95-01	STARTER		1
502 19 89-01	STARTER PULLEY		1
502 20 06-01	SPRING CASSETTE ASSY		1
502 21 08-01	STARTER		1
502 21 25-29	LABEL		1
503 21 06-16	SCREW IHSCCT		1
503 21 06-25	SCREW IHSCFT		1
503 21 29-06	SCREW CCRPANT		1
503 23 00-35	WASHER		1
505 30 51-25	STARTER CORD		1
530 03 71-60	STARTER HANDLE		1

J

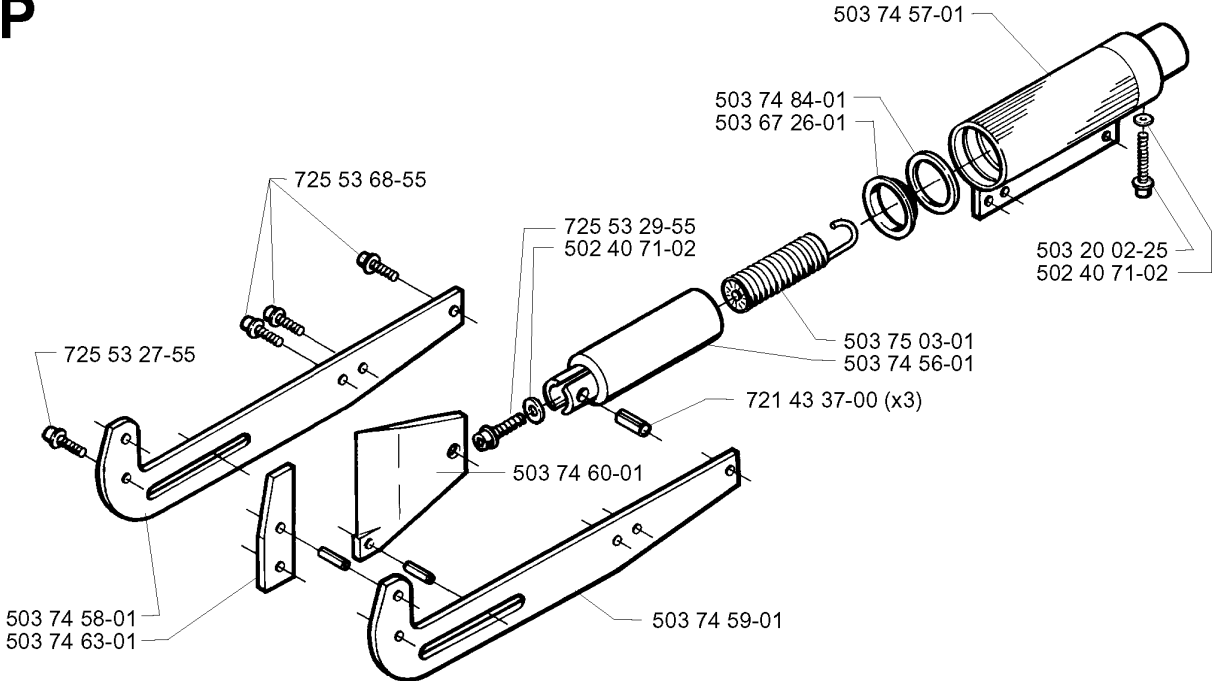


SHAFT

235P, 19970500001-Current

Part No	Description	Remark	QTY KIT
502 42 57-01	JOINT		1
502 42 58-01	LEDKULA		1
502 42 59-01	LOCK NUT		1
503 21 06-25	SCREW IHSCFT		1
503 21 06-25	SCREW IHSCFT	2X	2

P

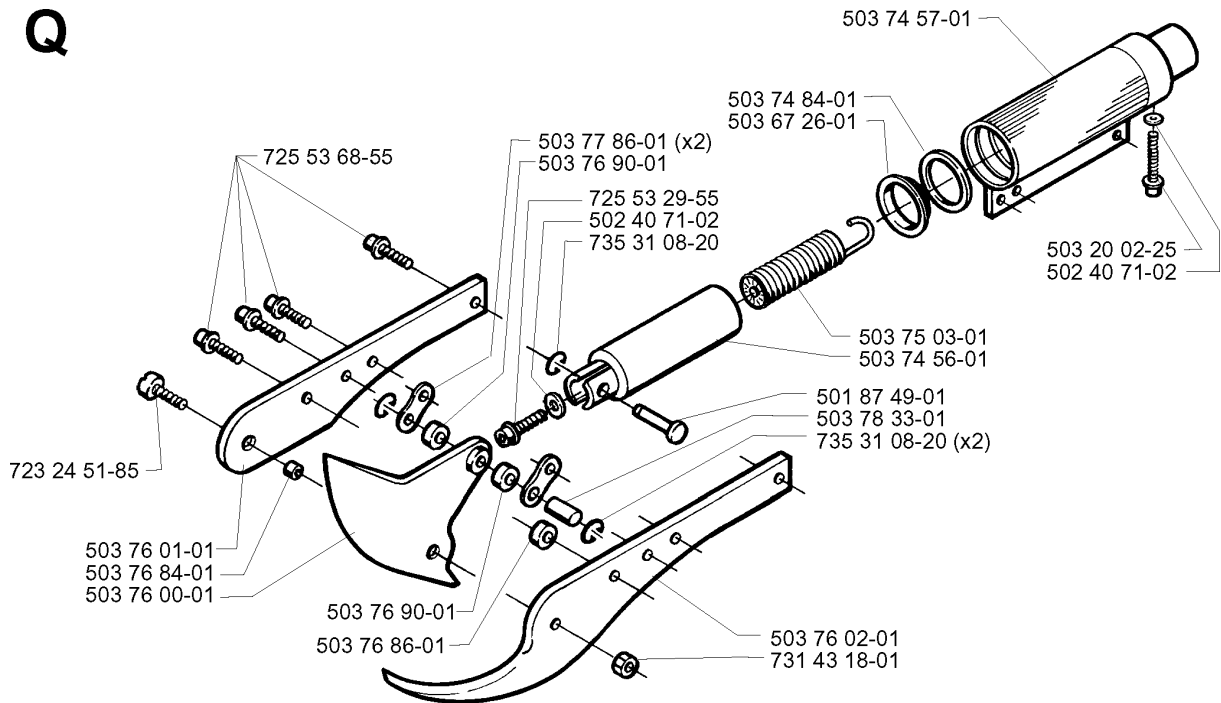


## CUTTING EQUIPMENT

235P, 19970500001-Current

Part No	Description	Remark	QTY KIT
502 40 71-02	WASHER		1
502 40 71-02	WASHER		1
503 20 02-25	SCREW IHSCFM		1
503 67 26-01	WIPER		1
503 74 56-01	PISTON		1
503 74 57-01	CYLINDER		1
503 74 58-01	GABLE		1
503 74 59-01	GABLE		1
503 74 60-01	BLADE		1
503 74 63-01	STOP		1
503 74 84-01	PISTON ROD SEALING		1
503 75 03-01	DRAW SPRING		1
721 43 37-00	SPRING PIN		3
725 53 27-55	SCREW IHSCM		1
725 53 29-55	SCREW IHSCM		1
725 53 68-55	SCREW IHSCM		1

Q



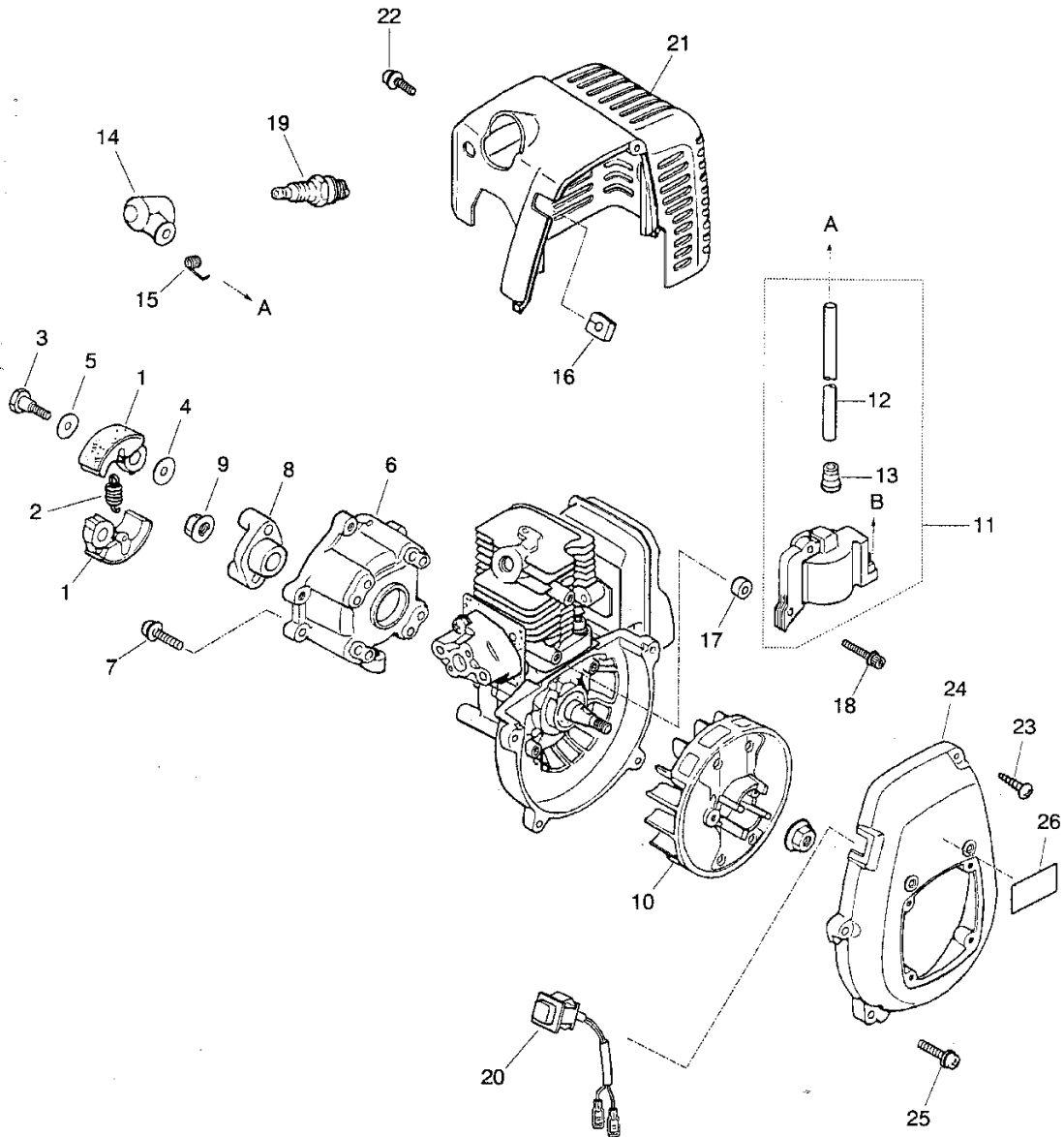


## CUTTING EQUIPMENT

235P, 19970500001-Current

Part No	Description	Remark	QTY KIT
501 87 49-01	PIVOT PIN		1
502 40 71-02	WASHER		1
502 40 71-02	WASHER		1
503 20 02-25	SCREW IHSCFM		1
503 67 26-01	WIPER		1
503 74 56-01	PISTON		1
503 74 57-01	CYLINDER		1
503 74 84-01	PISTON ROD SEALING		1
503 75 03-01	DRAW SPRING		1
503 76 00-01	BLADE		1
503 76 01-01	GABLE		1
503 76 02-01	GABLE		1
503 76 84-01	SLEEVE		1
503 76 86-01	SPACER		1
503 76 90-01	ROLLER		1
503 76 90-01	ROLLER		1
503 77 86-01	WASHER		2
503 78 33-01	PEN		1
723 24 51-85	SCREW SLPANM		1
725 53 29-55	SCREW IHSCM		1
725 53 68-55	SCREW IHSCM		1
731 43 18-01	HEXAGON THIN NUT		1
735 31 08-20	E-CLIP		1
735 31 08-20	E-CLIP		2

E1301 クラッチ・電装・カバー

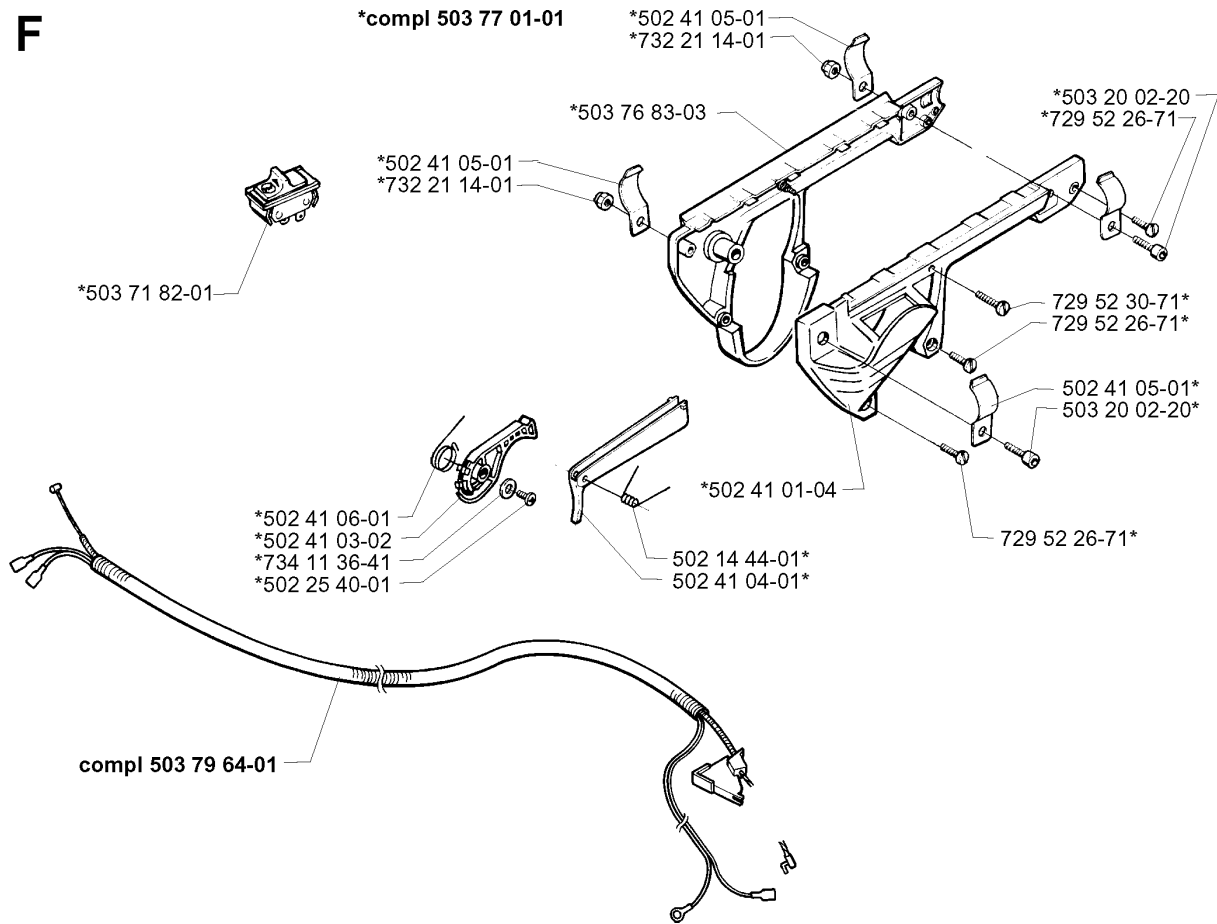


## SHAFT

235P, 19970500001-Current

Part No	Description	Remark	QTY KIT
502 40 94-81	HOSE CLAMP		1
502 42 20-02	PIPE		1
502 42 21-05	PIPE		1
502 42 22-02	PIPE		1
502 42 22-06	PIPE		1
502 42 32-01	PROTECTIVE HOOD		1
502 42 52-03	SLEEVE	DIA.35/31	1
502 42 53-03	NUT		1
502 42 56-03	SLEEVE	DIA.31/27	1
503 21 06-25	SCREW IHSCFT		1
503 75 57-01	HOSE	2M	1
503 75 57-02	HOSE	2M	1
503 76 75-01	DUST COVER		1
503 77 40-01	NIPPLE		1
740 38 27-01	SEALING WASHER		1

**F**

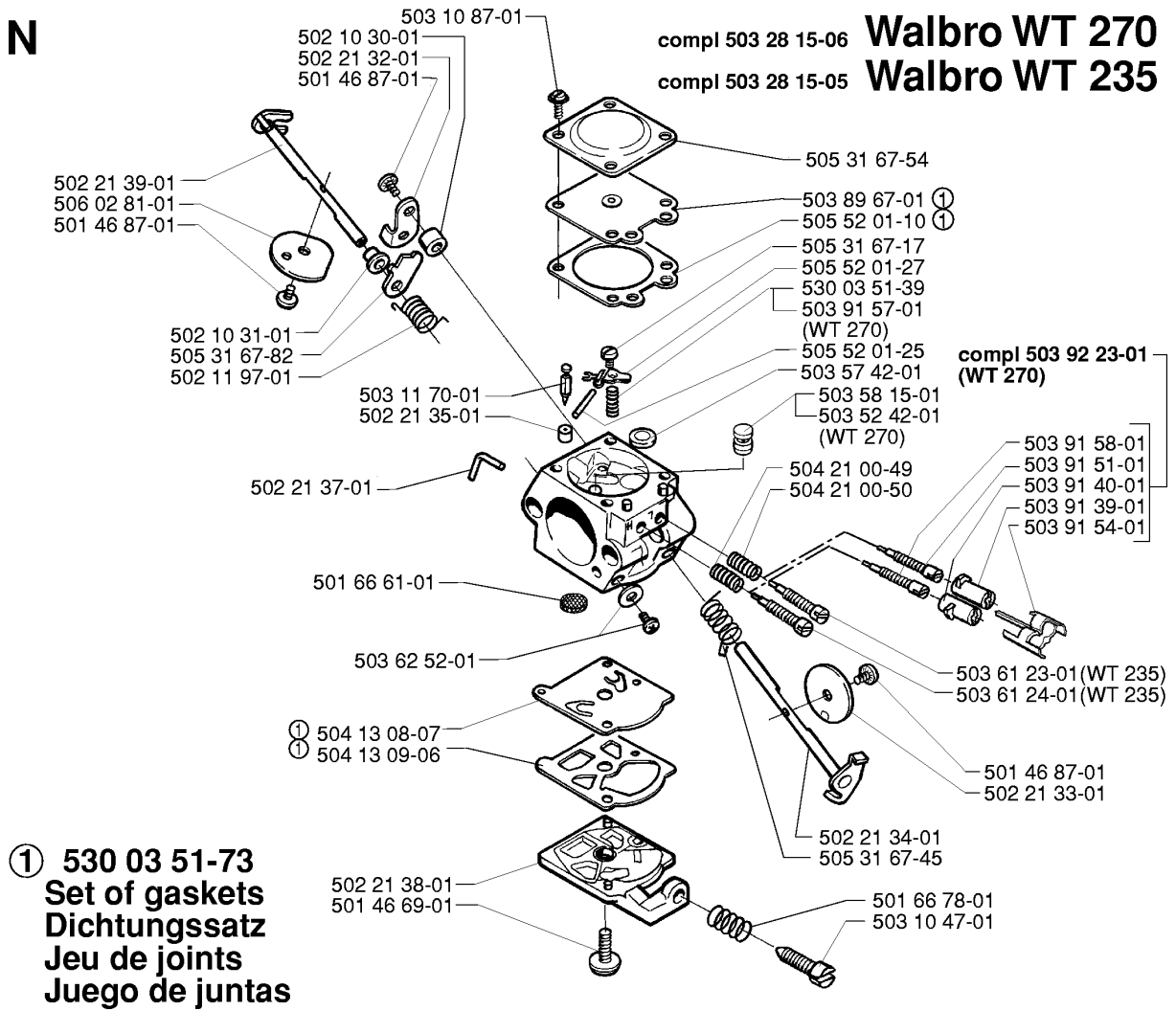


## HANDLE &amp; CONTROLS

235P, 19970500001-Current

Part No	Description	Remark	QTY KIT
502 14 44-01	SPRING		1
502 25 40-01	SCREW SLPANT		1
502 41 01-04	HANDLE HALF		1
502 41 03-02	THROTTLE TRIGGER		1
502 41 04-01	LOCK		1
502 41 05-01	STAPLE		1
502 41 05-01	STAPLE		1
502 41 05-01	STAPLE		1
502 41 06-01	RECOIL SPRING		1
503 20 02-20	SCREW IHSCFM		1
503 20 02-20	SCREW IHSCFM		1
503 71 82-01	SWITCH		1
503 76 83-03			1
503 77 01-01	THROTTLE CONTROL ASSY		1
503 79 64-01	WIRING		1
729 52 26-71	SCREW CRPANT		1
729 52 26-71	SCREW CRPANT		1
729 52 26-71	SCREW CRPANT		1
729 52 30-71	SCREW CRPANT		1
732 21 14-01	LOCK NUT		1
732 21 14-01	LOCK NUT		1
734 11 36-41	WASHER		1

**N**

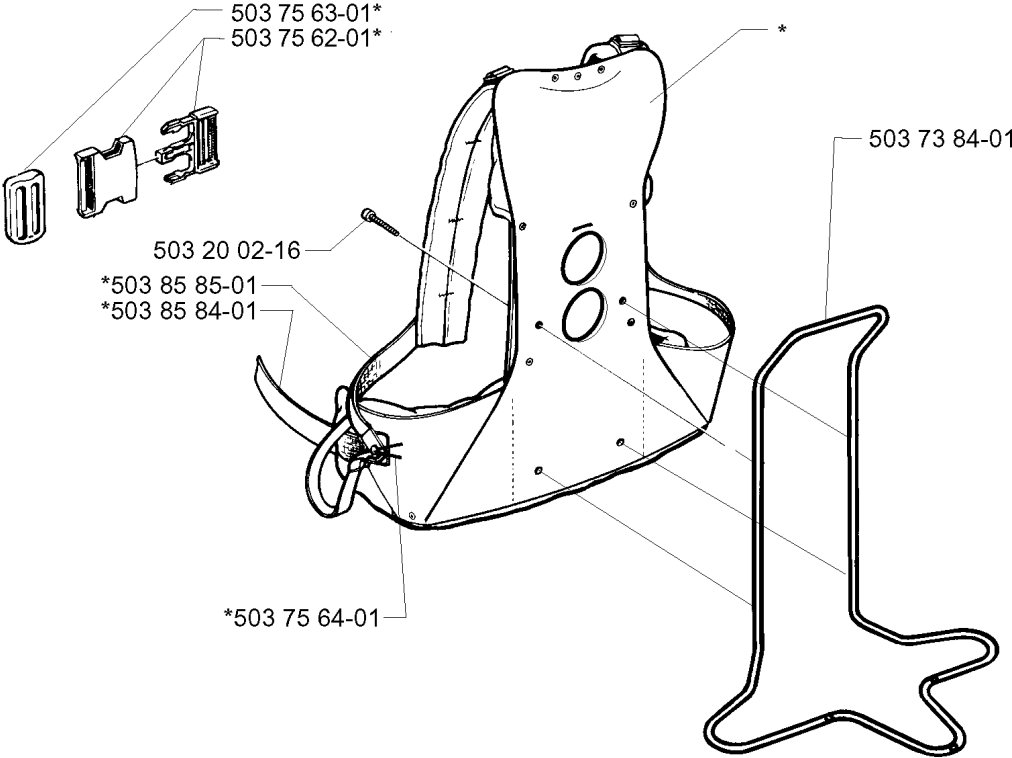


## CARBURETOR DETAILS

235P, 19970500001-Current

Part No	Description	Remark	QTY KIT
501 46 69-01	SCREW		1
501 46 87-01	SCREW		1
501 46 87-01	SCREW		1
501 46 87-01	SCREW		1
501 66 61-01	SCREEN		1
501 66 78-01	SPRING		1
502 10 30-01	DISTANCE		1
502 10 31-01	BUSHING		1
502 11 97-01	RECOIL SPRING		1
502 21 32-01	LEVER THROTTLE		1
502 21 33-01	VALVE THROTTLE		1
502 21 34-01	SHAFT ASS THROTTLE		1
502 21 35-01	SEAT INLET VALVE		1
502 21 37-01	FITTING		1
502 21 38-01	COVER		1
502 21 39-01	SHAFT ASSY		1
503 10 47-01	SCREW		1
503 10 87-01	SCREW		1
503 11 70-01	NEEDLE VALVE		1
503 28 15-05	CARBURETTOR		1
503 28 15-06	CARBURETTOR		1
503 52 42-01	NOZZLE ASSY	WT 270	1
503 57 42-01	PLUG		1
503 58 15-01	NOZZLE ASSY		1
503 61 23-01	NEEDLE IDLE SPEED	WT 235	1
503 61 24-01	NEEDLE-HIGH SPEED	WT 235	1
503 62 52-01	SCREW ASSY		1
503 89 67-01	DIAPHRAGM	530 03 51-73 SET OF GASKETS	1
503 91 39-01	LIMITER CAP		1
503 91 40-01	LIMITER CAP		1
503 91 51-01	NEEDLE		1
503 91 54-01	RETAINER		1
503 91 57-01	SPRING	WT 270	1
503 91 58-01	NEEDLE		1
503 92 23-01	LIMITER CAP	WT 270	1
504 13 08-07	DIAPHRAGM PUMP	530 03 51-73 SET OF GASKETS	1
504 13 09-06	GASKET	530 03 51-73 SET OF GASKETS	1
504 21 00-49	SPRING		1
504 21 00-50	SPRING		1
505 31 67-17	SCREW		1
505 31 67-45	SPRING		1
505 31 67-54	LOCK STYRMEMBRAN		1
505 31 67-82	LEVER		1
505 52 01-10	GASKET	530 03 51-73 SET OF GASKETS	1
505 52 01-25	PIN		1
505 52 01-27	LEVER		1
506 02 81-01	VALVE		1
530 03 51-39	SPRING		1

**R** \*compl 503 73 86-01





## HARNESS

235P, 19970500001-Current

Part No	Description	Remark	QTY KIT
503 20 02-16	SCREW IHSCFM		1
503 73 84-01	FRAME		1
503 73 86-01	HARNESS		1
503 75 62-01	LOCK		1
503 75 63-01	BUCKLE		1
503 75 64-01	HAIR PIN COTTER		1
503 85 84-01	BELT		1
503 85 85-01	BAND		1