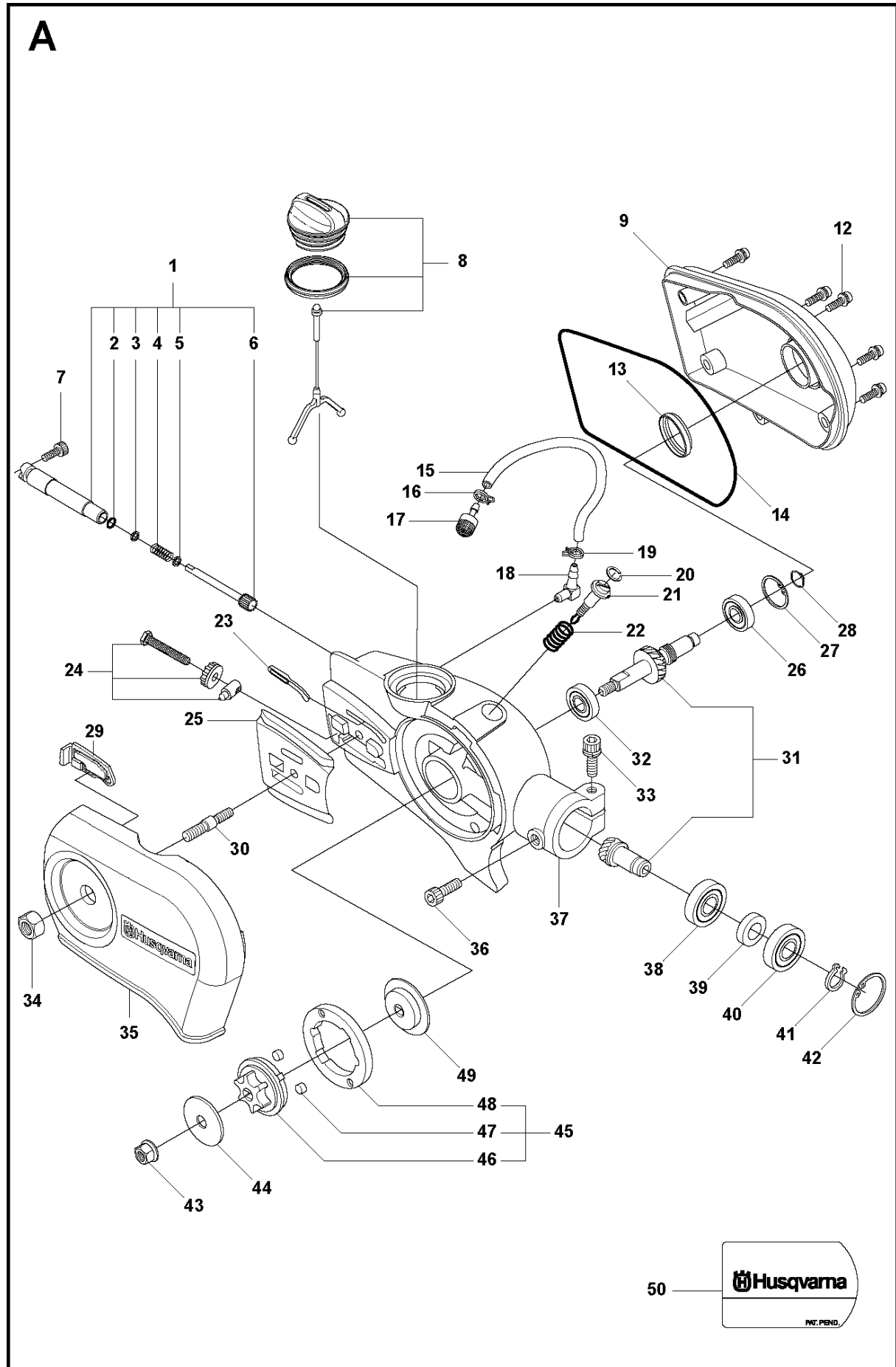




# SPARE PARTS LIST

POLE PRUNER/POLE SAWS

326P 5 X-SERIES,  
20062800001-20081199999

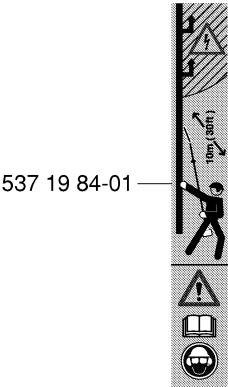
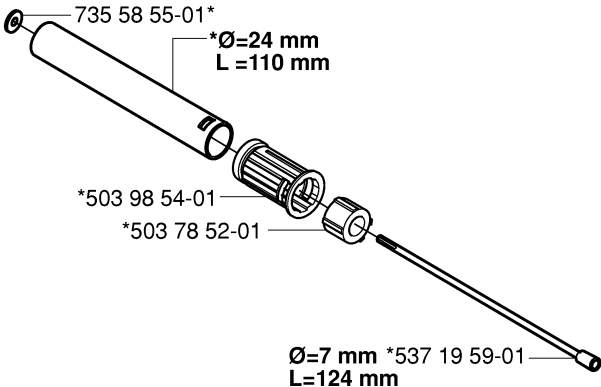


## GEAR HOUSING

326P 5 X-SERIES, 20062800001-20081199999

| Ref | Part No      | Description        | Remark | QTY | KIT |
|-----|--------------|--------------------|--------|-----|-----|
| 1   | 537 29 92-01 | OIL PUMP ASSY      |        | 1   |     |
| 2   | 740 42 03-00 | O-RING             |        | 1   | 1   |
| 3   | 503 23 00-16 | WASHER             |        | 1   | 1   |
| 4   | 503 18 49-01 | SPRING             |        | 1   | 1   |
| 5   | 503 23 00-16 | WASHER             |        | 1   | 1   |
| 6   | 503 80 83-02 | PUMP PISTON        |        | 1   | 1   |
| 7   | 725 53 27-55 | SCREW IHSCM        |        | 1   |     |
| 8   | 537 28 15-02 | TANK CAP ASSY      |        | 1   |     |
| 9   | 593 62 04-01 | CAP ASSY           |        | 1   |     |
| 12  | 725 53 29-55 | SCREW IHSCM        |        | 5   |     |
| 13  | 537 33 01-01 | SEALING            |        | 1   |     |
| 14  | 537 29 10-01 | O-RING             |        | 1   |     |
| 15  | 537 29 11-01 | HOSE               |        | 1   |     |
| 16  | 537 37 15-01 | HOSE CLAMP         |        | 1   |     |
| 17  | 504 71 00-03 | OIL PLUMMET        |        | 1   |     |
| 18  | 504 34 00-04 | FITTING            |        | 1   |     |
| 19  | 537 37 15-01 | HOSE CLAMP         |        | 1   |     |
| 20  | 537 29 09-01 | CIRCLIP            |        | 1   |     |
| 21  | 537 05 68-01 | ADJUSTER           |        | 1   |     |
| 22  | 503 97 82-01 | SPRING             |        | 1   |     |
| 23  | 537 33 17-01 | OIL DUCT           |        | 1   |     |
| 24  | 537 22 82-01 | CHAIN TENSIONER    |        | 1   |     |
| 25  | 537 19 42-01 | CHAIN GUIDE PLATE  |        | 1   |     |
| 26  | 738 21 00-04 | BALL BEARING       |        | 1   |     |
| 27  | 735 31 27-10 | CIRCLIP            |        | 1   |     |
| 28  | 735 31 12-00 | CIRCLIP            |        | 1   |     |
| 29  | 537 32 92-01 | SEALING            |        | 1   |     |
| 30  | 537 19 44-01 | BAR BOLT           |        | 1   |     |
| 31  | 537 29 90-01 | GEAR WHEEL KIT     |        | 1   |     |
| 32  | 738 21 99-04 | BALL BEARING       |        | 1   |     |
| 33  | 725 53 33-55 | SCREW IHSCM        |        | 1   |     |
| 34  | 731 23 18-01 | HEXAGON NUT        |        | 1   |     |
| 35  | 537 24 60-01 | COVER              |        | 1   |     |
| 36  | 725 53 27-55 | SCREW IHSCM        |        | 1   |     |
| 37  | 537 22 74-01 | HOUSING            |        | 1   |     |
| 38  | 738 21 99-04 | BALL BEARING       |        | 1   |     |
| 39  | 537 24 77-01 | SPACER             |        | 1   |     |
| 40  | 738 21 99-04 | BALL BEARING       |        | 1   |     |
| 41  | 735 31 11-00 | CIRCLIP            |        | 1   |     |
| 42  | 735 31 25-10 | CIRCLIP            |        | 1   |     |
| 43  | 731 71 16-51 | HEXAGON NUT FLANGE |        | 1   |     |
| 44  | 503 23 00-68 | WASHER             |        | 1   |     |
| 45  | 537 27 18-01 | FLYWHEEL           |        | 1   |     |
| 46  | 537 27 15-01 | HUB                |        | 1   | 45  |
| 47  | 537 27 17-01 | BUSHING            |        | 2   | 45  |
| 48  | 537 27 14-01 | RING               |        | 1   | 45  |
| 49  | 537 27 16-01 | HUB CAP            |        | 1   |     |
| 50  | 537 23 00-01 | LABEL              |        | 1   |     |

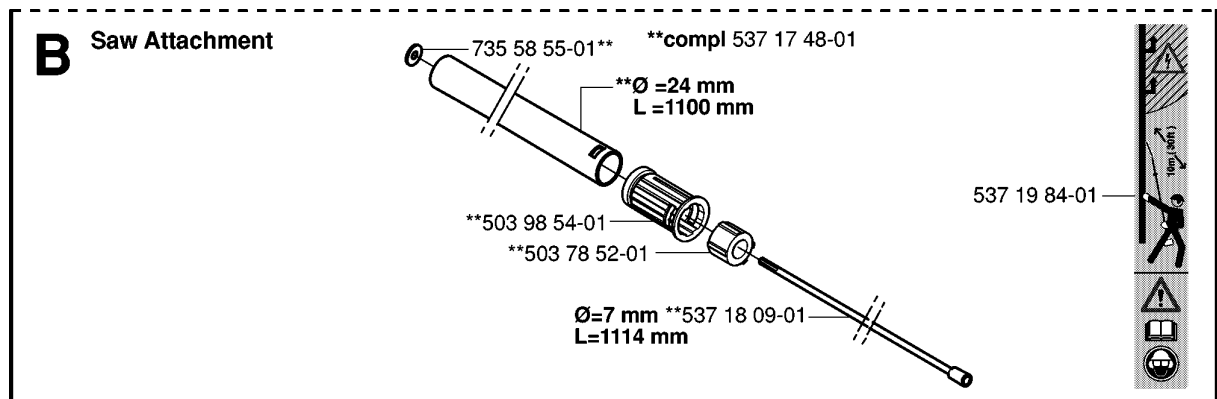
**B** Saw Attachment  
\*compl 537 19 58-01



SHAFT

326P 5 X-SERIES, 20062800001-20081199999

| Part No      | Description        | Remark | QTY KIT |
|--------------|--------------------|--------|---------|
| 503 78 52-01 | SUPPORTING BEARING |        | 1       |
| 503 98 54-01 | BEARING CAGE       |        | 1       |
| 537 19 58-01 | TUBE               |        | 1       |
| 537 19 59-01 | DRIVE SHAFT        |        | 1       |
| 537 19 84-01 | LABEL              |        | 1       |
| 735 58 55-01 | WASHER             |        | 1       |

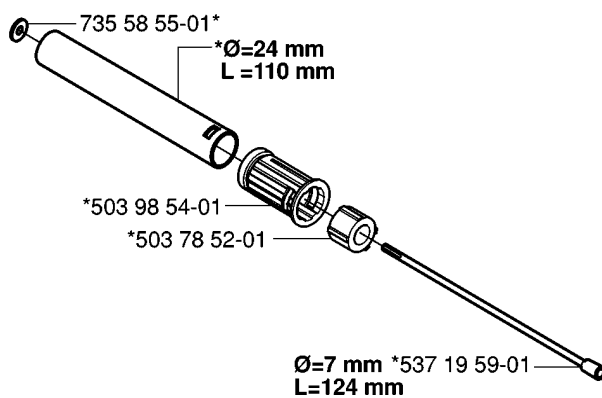


## ATTACHMENTS

326P 5 X-SERIES, 20062800001-20081199999

| Part No      | Description        | Remark | QTY KIT |
|--------------|--------------------|--------|---------|
| 503 78 52-01 | SUPPORTING BEARING |        | 1       |
| 503 98 54-01 | BEARING CAGE       |        | 1       |
| 537 17 48-01 | TUBE               |        | 1       |
| 537 18 09-01 | DRIVE SHAFT        |        | 1       |
| 537 19 84-01 | LABEL              |        | 1       |
| 735 58 55-01 | WASHER             |        | 1       |

**B** Saw Attachment  
\*compl 537 19 58-01



537 19 84-01



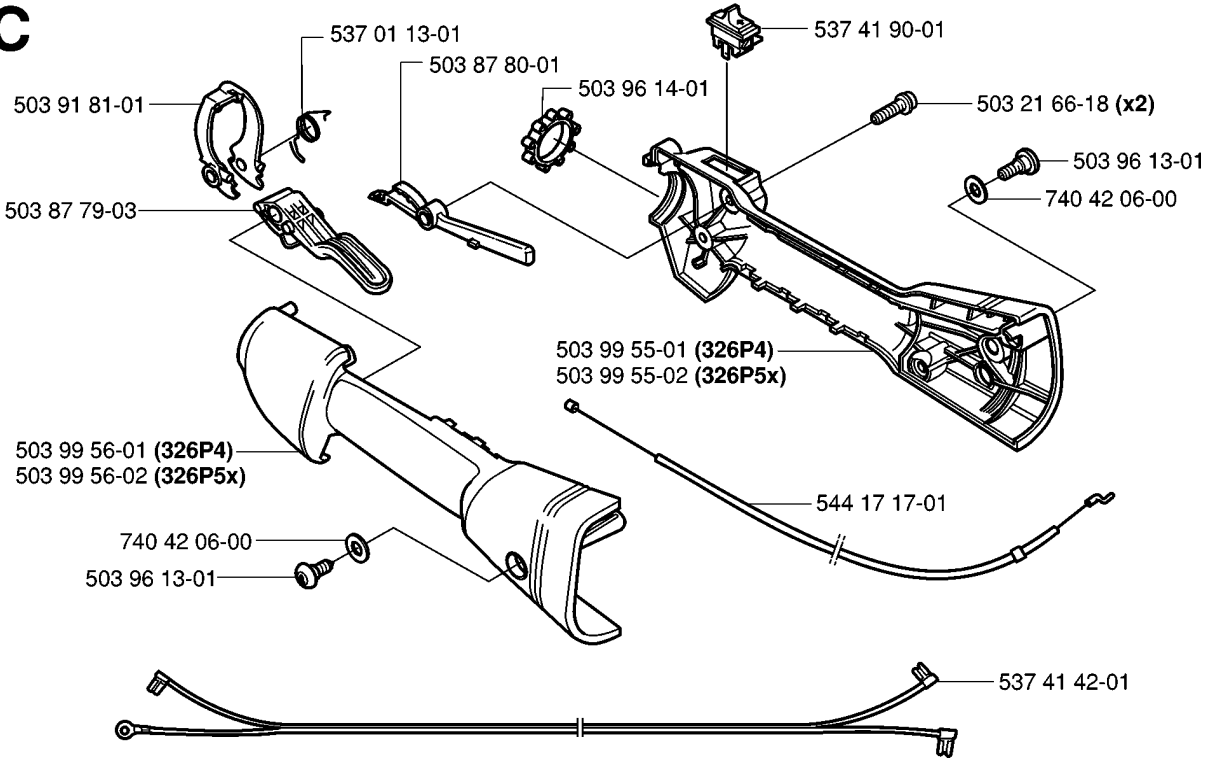


## ATTACHMENTS

326P 5 X-SERIES, 20062800001-20081199999

| Part No      | Description        | Remark | QTY KIT |
|--------------|--------------------|--------|---------|
| 503 78 52-01 | SUPPORTING BEARING |        | 1       |
| 503 98 54-01 | BEARING CAGE       |        | 1       |
| 537 19 58-01 | TUBE               |        | 1       |
| 537 19 59-01 | DRIVE SHAFT        |        | 1       |
| 537 19 84-01 | LABEL              |        | 1       |
| 735 58 55-01 | WASHER             |        | 1       |

**C**

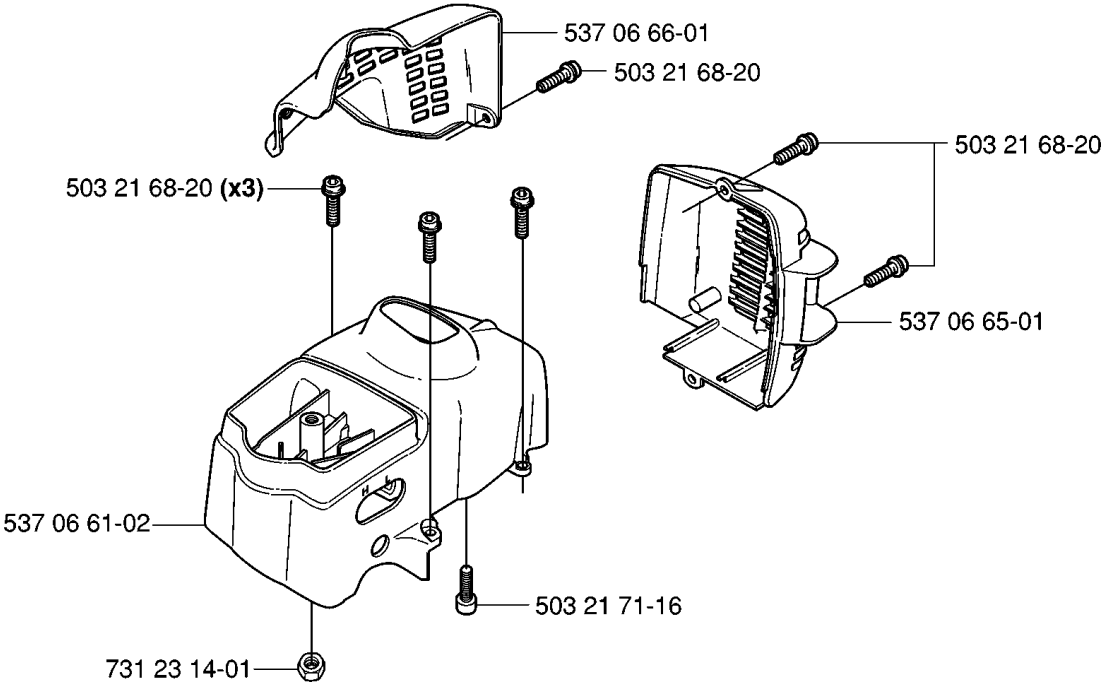


## HANDLE &amp; CONTROLS

326P 5 X-SERIES, 20062800001-20081199999

| Part No      | Description         | Remark | QTY KIT |
|--------------|---------------------|--------|---------|
| 503 21 66-18 | SCREW IHSCT         |        | 2       |
| 503 87 79-03 | THROTTLE TRIGGER    |        | 1       |
| 503 87 80-01 | THROTTLE LOCKOUT    |        | 1       |
| 503 91 81-01 | THROTTLE LEVER      |        | 1       |
| 503 96 13-01 | SCREW               |        | 1       |
| 503 96 13-01 | SCREW               |        | 1       |
| 503 96 14-01 | ABSORBER            |        | 1       |
| 503 99 55-01 | HANDLE HALF         |        | 1       |
| 503 99 55-02 | HANDLE HALF         |        | 1       |
| 503 99 56-01 | HANDLE HALF         |        | 1       |
| 503 99 56-02 | HANDLE HALF         |        | 1       |
| 537 01 13-01 | RECOIL SPRING       |        | 1       |
| 537 41 42-01 | SHORT CIRCUIT CABLE |        | 1       |
| 537 41 90-01 | SWITCH              |        | 1       |
| 544 17 17-01 | THROTTLE CABLE ASSY |        | 1       |
| 740 42 06-00 | O-RING              |        | 1       |
| 740 42 06-00 | O-RING              |        | 1       |

**D**

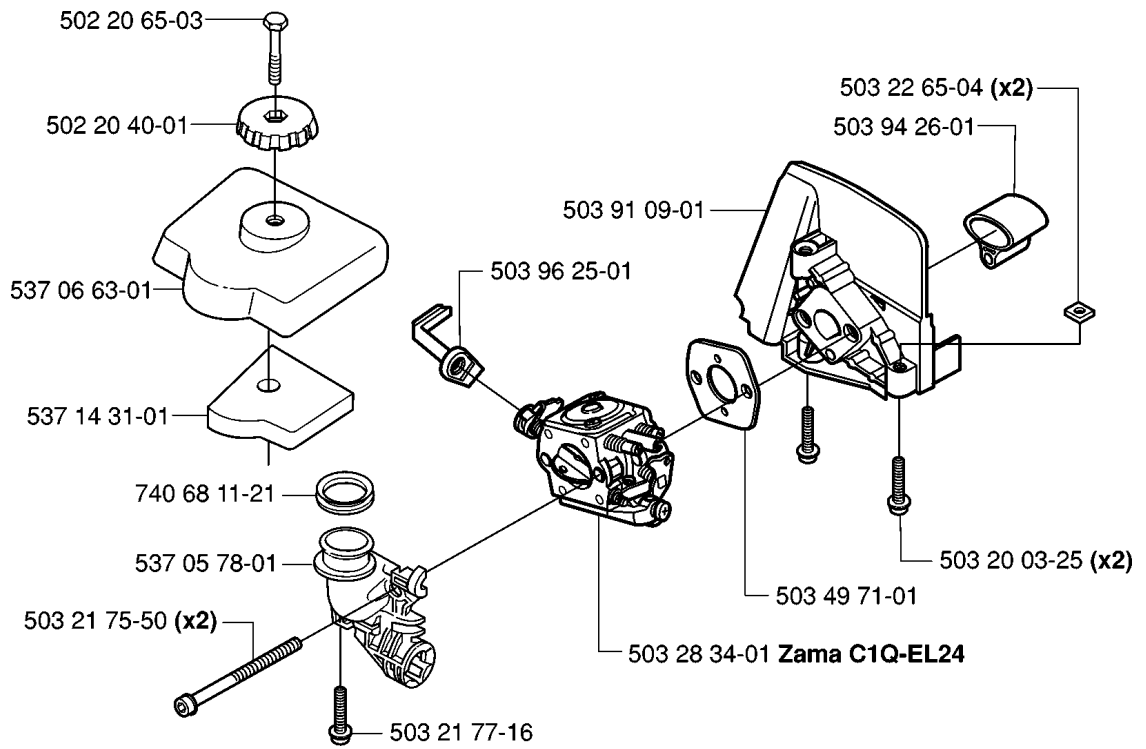


## COVER

326P 5 X-SERIES, 20062800001-20081199999

| Part No      | Description    | Remark | QTY KIT |
|--------------|----------------|--------|---------|
| 503 21 68-20 | SCREW IHSCFT   |        | 3       |
| 503 21 68-20 | SCREW IHSCFT   |        | 1       |
| 503 21 68-20 | SCREW IHSCFT   |        | 1       |
| 503 21 71-16 | SCREW IHSCFT   |        | 1       |
| 537 06 61-02 | CYLINDER COVER |        | 1       |
| 537 06 65-01 | HEAT PROTECTOR |        | 1       |
| 537 06 66-01 | ARM PROTECTION |        | 1       |
| 731 23 14-01 | HEXAGON NUT    |        | 1       |

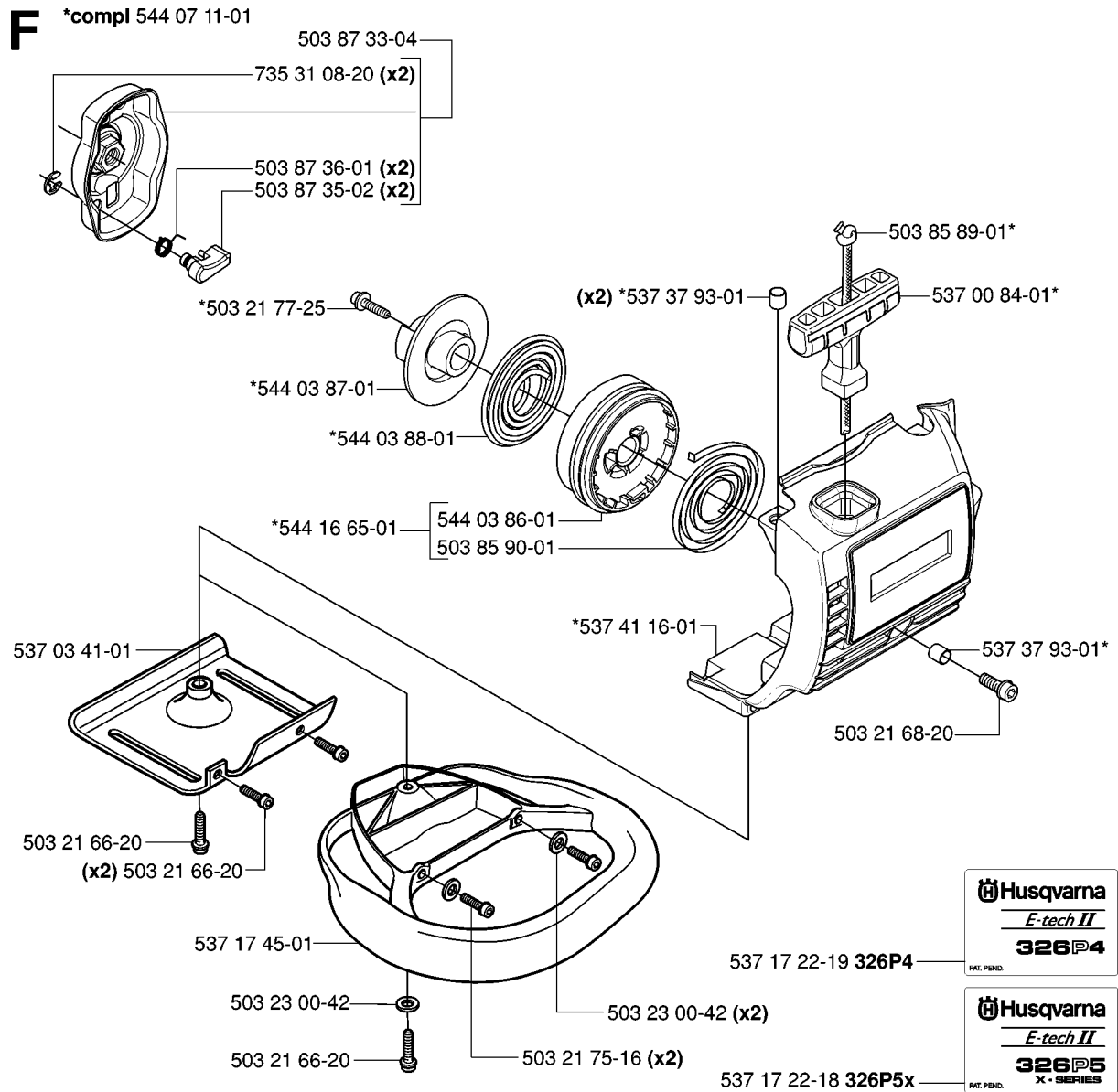
**E**



## CARBURETOR &amp; AIR FILTER

326P 5 X-SERIES, 20062800001-20081199999

| Part No      | Description     | Remark | QTY KIT |
|--------------|-----------------|--------|---------|
| 502 20 40-01 | KNOB            |        | 1       |
| 502 20 65-03 | SCREW EHHM      |        | 1       |
| 503 20 03-25 | SCREW IHSCFM    |        | 2       |
| 503 21 75-50 | SCREW IHSCFT    |        | 2       |
| 503 21 77-16 | SCREW IHSC T    |        | 1       |
| 503 22 65-04 | SQUARE NUT      |        | 2       |
| 503 28 34-01 | CARBURETTOR     |        | 1       |
| 503 49 71-01 | GASKET          |        | 1       |
| 503 91 09-01 | INSULATION WALL |        | 1       |
| 503 94 26-01 | INLET PIPE      |        | 1       |
| 503 96 25-01 | CHOKE CONTROL   |        | 1       |
| 537 05 78-01 | BRACKET         |        | 1       |
| 537 06 63-01 | FILTER COVER    |        | 1       |
| 537 14 31-01 | AIR FILTER ASSY |        | 1       |
| 740 68 11-21 | V-RING          |        | 1       |



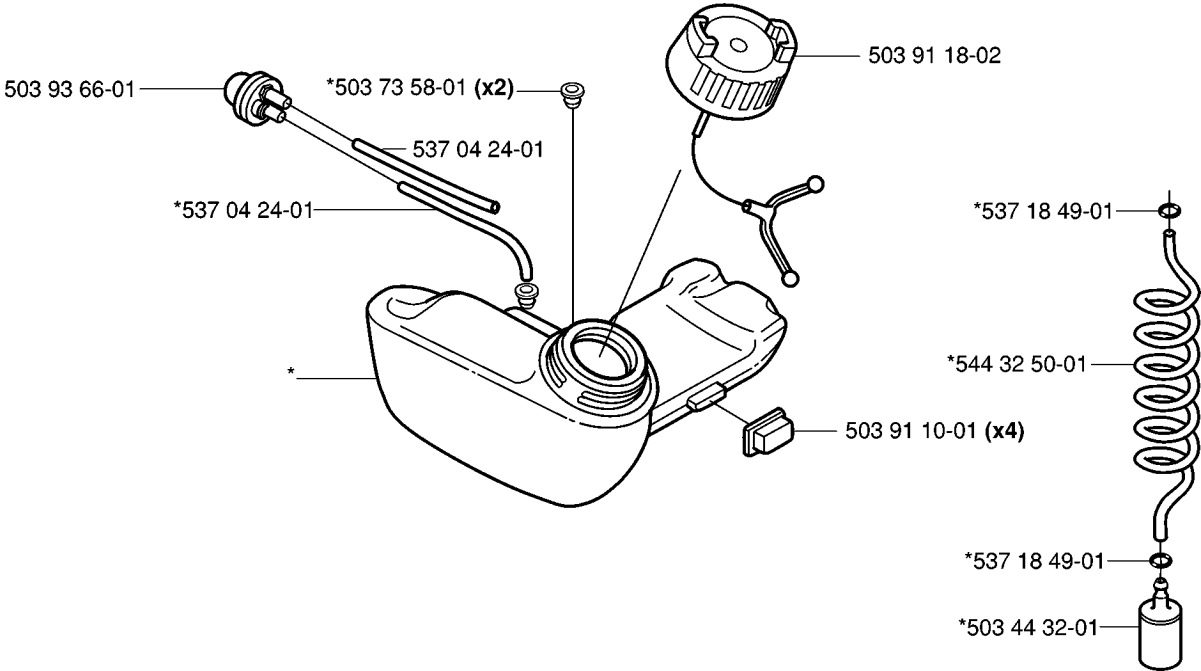


## STARTER

326P 5 X-SERIES, 20062800001-20081199999

| Part No      | Description         | Remark | QTY KIT |
|--------------|---------------------|--------|---------|
| 503 21 66-20 | SCREW IHSC T        |        | 1       |
| 503 21 66-20 | SCREW IHSC T        |        | 2       |
| 503 21 66-20 | SCREW IHSC T        |        | 1       |
| 503 21 68-20 | SCREW IHSC FT       |        | 1       |
| 503 21 75-16 | SCREW IHSC FT       |        | 2       |
| 503 21 77-25 | SCREW IHSC T        |        | 1       |
| 503 23 00-42 | WASHER              |        | 2       |
| 503 23 00-42 | WASHER              |        | 1       |
| 503 85 89-01 | STARTER ROPE        |        | 1       |
| 503 85 90-01 | RECOIL SPRING       |        | 1       |
| 503 87 33-04 | STARTER PAWL BRIDGE |        | 1       |
| 503 87 35-02 | STARTER PAWL        |        | 2       |
| 503 87 36-01 | SPRING              |        | 2       |
| 537 00 84-01 | STARTER HANDLE      |        | 1       |
| 537 03 41-01 | PROTECTIVE PLATE    |        | 1       |
| 537 17 22-18 | LABEL               |        | 1       |
| 537 17 22-19 | LABEL               |        | 1       |
| 537 17 45-01 | HANDLE              |        | 1       |
| 537 37 93-01 | SPACING SLEEVE      |        | 2       |
| 537 37 93-01 | SPACING SLEEVE      |        | 1       |
| 537 41 16-01 | STARTER HOUSING     |        | 1       |
| 544 03 86-01 | STARTER PULLEY      |        | 1       |
| 544 03 87-01 | DRIVER              |        | 1       |
| 544 03 88-01 | SPRING              |        | 1       |
| 544 07 11-01 | STARTER ASSY        |        | 1       |
| 544 16 65-01 | STARTER PULLEY ASSY |        | 1       |
| 735 31 08-20 | E-CLIP              |        | 2       |

**G** \*compl 537 06 86-02



## FUEL TANK

326P 5 X-SERIES, 20062800001-20081199999

| Part No      | Description | Remark | QTY KIT |
|--------------|-------------|--------|---------|
| 503 44 32-01 | FUEL FILTER |        | 1       |
| 503 73 58-01 | BUSHING     |        | 2       |
| 503 91 10-01 | SUSPENSION  |        | 4       |
| 503 91 18-02 | TANK CAP    |        | 1       |
| 503 93 66-01 | PURGE       |        | 1       |
| 537 04 24-01 | FUEL HOSE   |        | 1       |
| 537 04 24-01 | FUEL HOSE   |        | 1       |
| 537 06 86-02 | FUEL TANK   |        | 1       |
| 537 18 49-01 | O-RING      |        | 1       |
| 537 18 49-01 | O-RING      |        | 1       |
| 544 32 50-01 | FUEL HOSE   |        | 1       |



## IGNITION SYSTEM

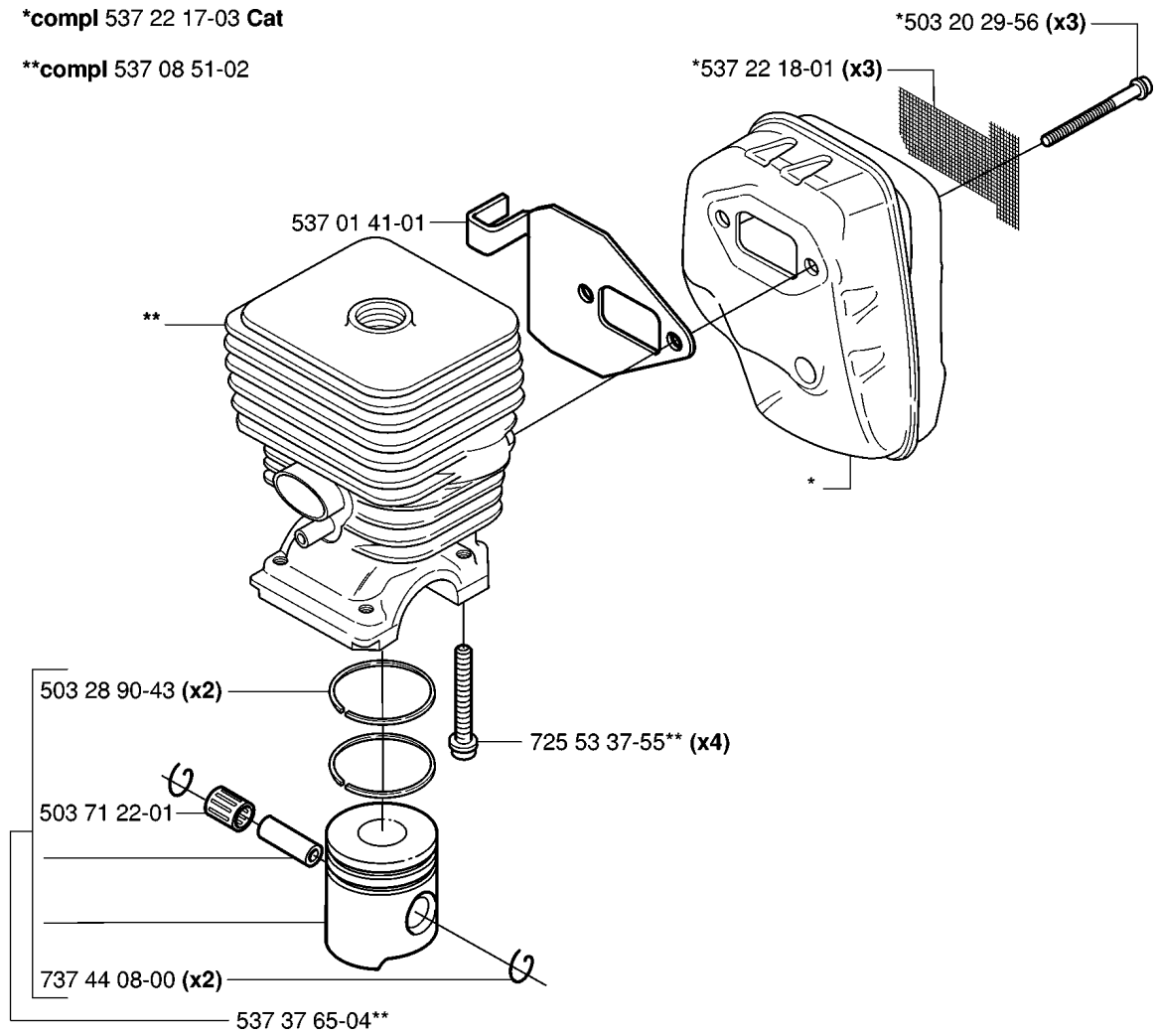
326P 5 X-SERIES, 20062800001-20081199999

| Part No      | Description        | Remark | QTY KIT |
|--------------|--------------------|--------|---------|
| 503 21 71-16 | SCREW IH SCT       |        | 2       |
| 503 23 51-09 | SPARK PLUG         |        | 1       |
| 503 81 60-01 | CLUTCH SPRING      |        | 1       |
| 503 84 28-01 | CLUTCH SHOE        |        | 2       |
| 503 84 29-02 | SCREW              |        | 2       |
| 537 03 22-01 | CLUTCH ASSY        |        | 1       |
| 537 04 67-02 | WASHER             |        | 1       |
| 537 04 68-02 | WASHER             |        | 1       |
| 537 06 44-03 | COVER              |        | 1       |
| 537 09 17-01 | SECURING PLATE     |        | 1       |
| 537 23 96-01 | SPARK PLUG CAP     |        | 1       |
| 537 24 96-02 | FLYWHEEL           |        | 1       |
| 537 44 87-01 |                    |        | 1       |
| 731 71 16-51 | HEXAGON NUT FLANGE |        | 1       |

**J**

\*compl 537 22 17-03 Cat

\*\*compl 537 08 51-02

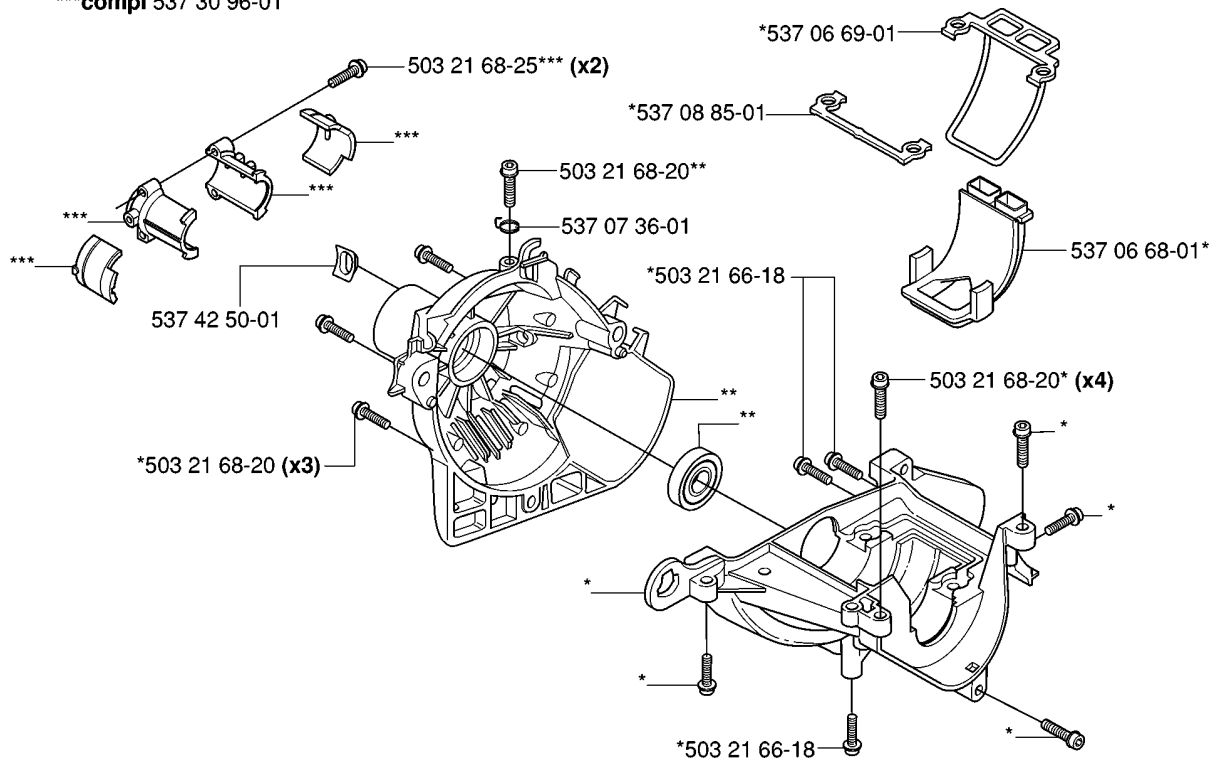


## CYLINDER PISTON

326P 5 X-SERIES, 20062800001-20081199999

| Part No      | Description           | Remark | QTY KIT |
|--------------|-----------------------|--------|---------|
| 503 20 29-56 | SCREW IHSCFM          |        | 3       |
| 503 28 90-43 | PISTON RING           |        | 2       |
| 503 71 22-01 | BEARING               |        | 1       |
| 537 01 41-01 | GASKET                |        | 1       |
| 537 08 51-02 | PISTON                |        | 1       |
| 537 22 17-03 | MUFFLER ASSY          |        | 1       |
| 537 22 18-01 | SPARK ARRESTER SCREEN |        | 3       |
| 537 37 65-04 | PISTON                |        | 1       |
| 725 53 37-55 | SCREW IHSCM           |        | 4       |
| 737 44 08-00 | CIRCLIP               |        | 2       |

**K** \*compl 537 08 52-01  
\*\*compl 537 04 12-05  
\*\*\*compl 537 30 96-01

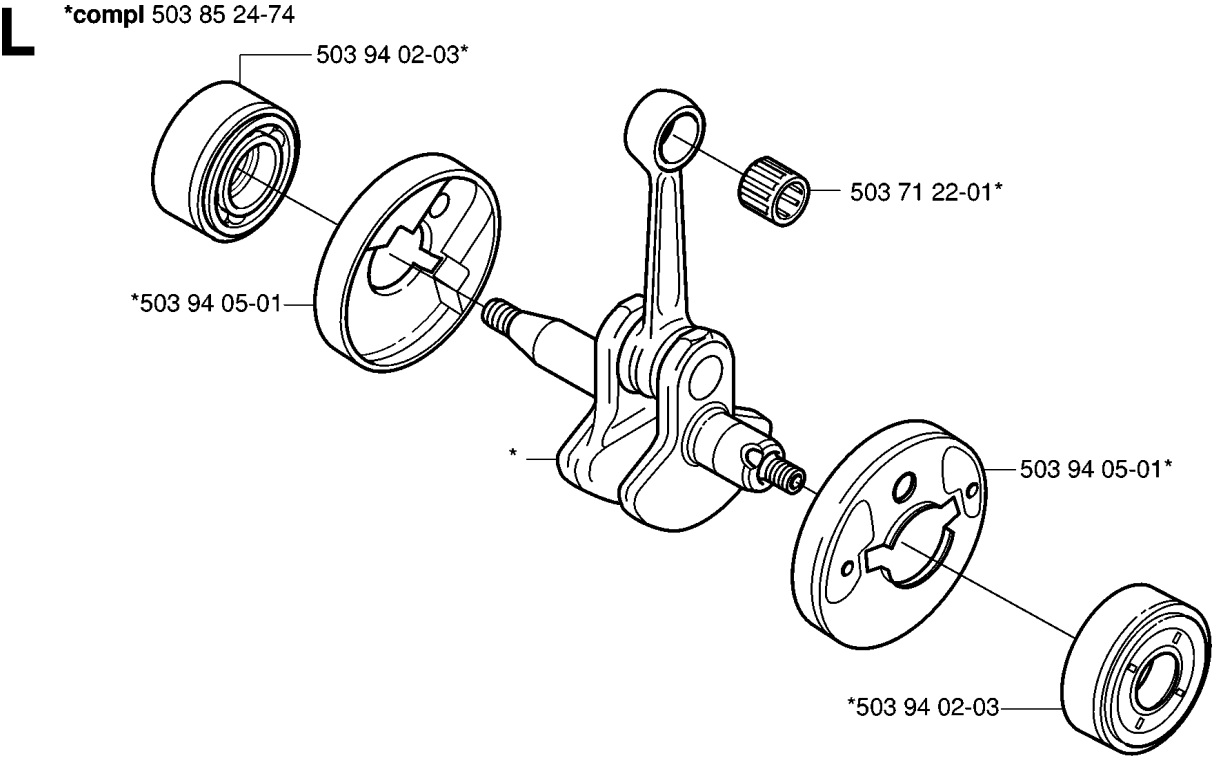




## CRANKCASE

326P 5 X-SERIES, 20062800001-20081199999

| Part No      | Description      | Remark | QTY KIT |
|--------------|------------------|--------|---------|
| 503 21 66-18 | SCREW IHSCCT     |        | 1       |
| 503 21 66-18 | SCREW IHSCCT     |        | 1       |
| 503 21 68-20 | SCREW IHSCFT     |        | 4       |
| 503 21 68-20 | SCREW IHSCFT     |        | 3       |
| 503 21 68-20 | SCREW IHSCFT     |        | 1       |
| 503 21 68-25 | SCREW IHSCFT     |        | 2       |
| 537 04 12-05 | CLUTCH COVER     |        | 1       |
| 537 06 68-01 | INSERT CRANKCASE |        | 1       |
| 537 06 69-01 | GASKET           |        | 1       |
| 537 07 36-01 | SPRING           |        | 1       |
| 537 08 52-01 | CRANKCASE        |        | 1       |
| 537 08 85-01 | GASKET           |        | 1       |
| 537 30 96-01 | SLEEVE           |        | 1       |
| 537 42 50-01 | PROTECTIVE PLATE |        | 1       |



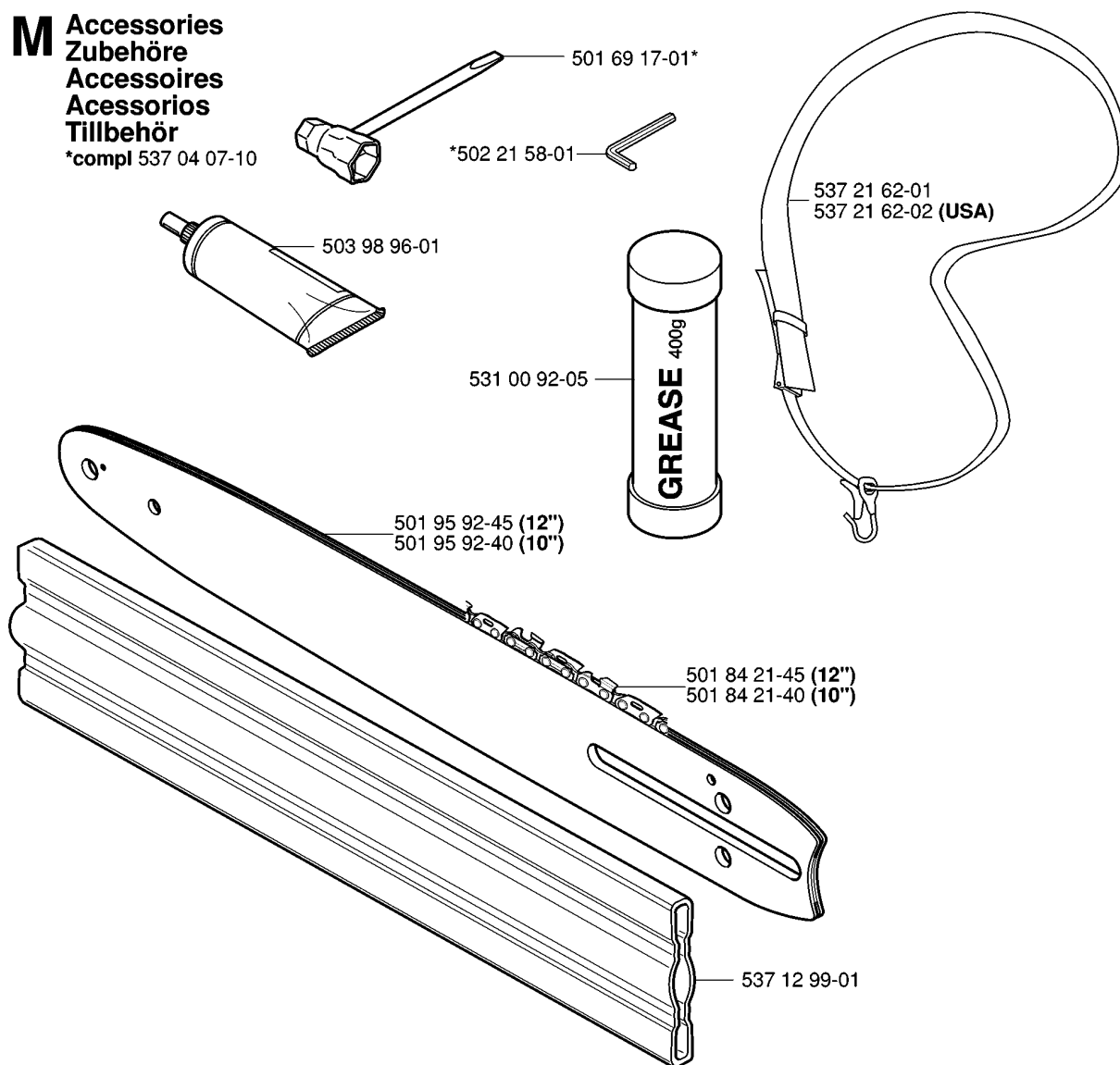
CRANKSHAFT

326P 5 X-SERIES, 20062800001-20081199999

| Part No      | Description     | Remark | QTY KIT |
|--------------|-----------------|--------|---------|
| 503 71 22-01 | BEARING         |        | 1       |
| 503 85 24-74 | CRANKSHAFT ASSY |        | 1       |
| 503 94 02-03 | BEARING CAGE    |        | 1       |
| 503 94 02-03 | BEARING CAGE    |        | 1       |
| 503 94 05-01 | CUP             |        | 1       |
| 503 94 05-01 | CUP             |        | 1       |

**M** Accessories  
 Zubehöre  
 Accessoires  
 Accesorios  
 Tillbehör

\*compl 537 04 07-10



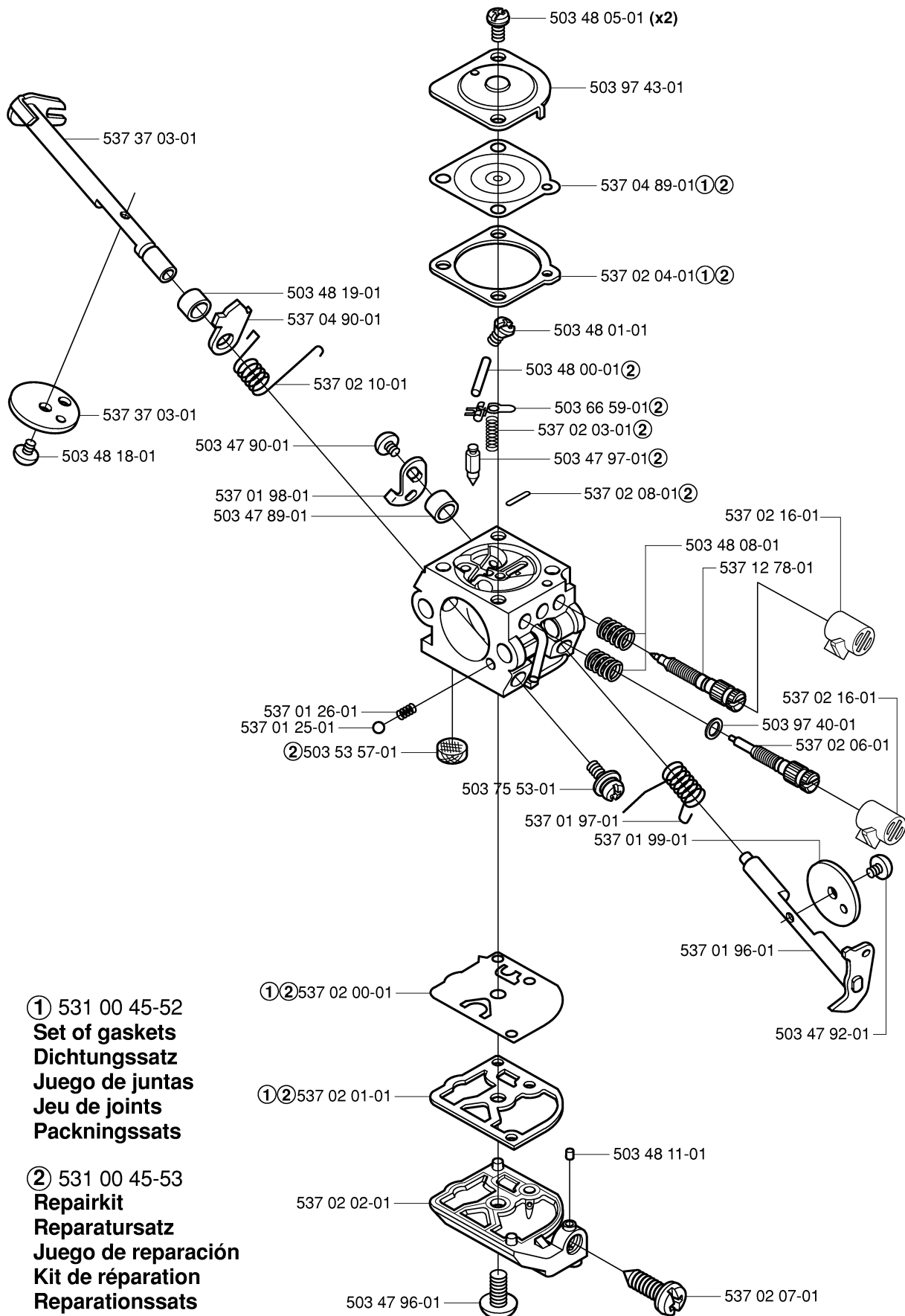
## ACCESSORIES

326P 5 X-SERIES, 20062800001-20081199999

| Part No      | Description        | Remark | QTY KIT |
|--------------|--------------------|--------|---------|
| 501 69 17-01 | COMBINATION WRENCH |        | 1       |
| 501 84 21-40 | SAW CHAIN          |        | 1       |
| 501 84 21-45 | SAW CHAIN          |        | 1       |
| 501 95 92-40 | BAR                |        | 1       |
| 501 95 92-45 | BAR                |        | 1       |
| 502 21 58-01 | WRENCH             |        | 1       |
| 503 98 96-01 | GREASE             |        | 1       |
| 531 00 92-05 | GREASE             |        | 1       |
| 537 04 07-10 | ACCESSORY BAG      |        | 1       |
| 537 12 99-01 | BAR COVER          |        | 1       |
| 537 21 62-01 | HARNESS            |        | 1       |
| 537 21 62-02 | HARNESS            |        | 1       |

**N** compl 503 28 34-01 Zama C1Q-EL24

# Zama C1Q-EL24



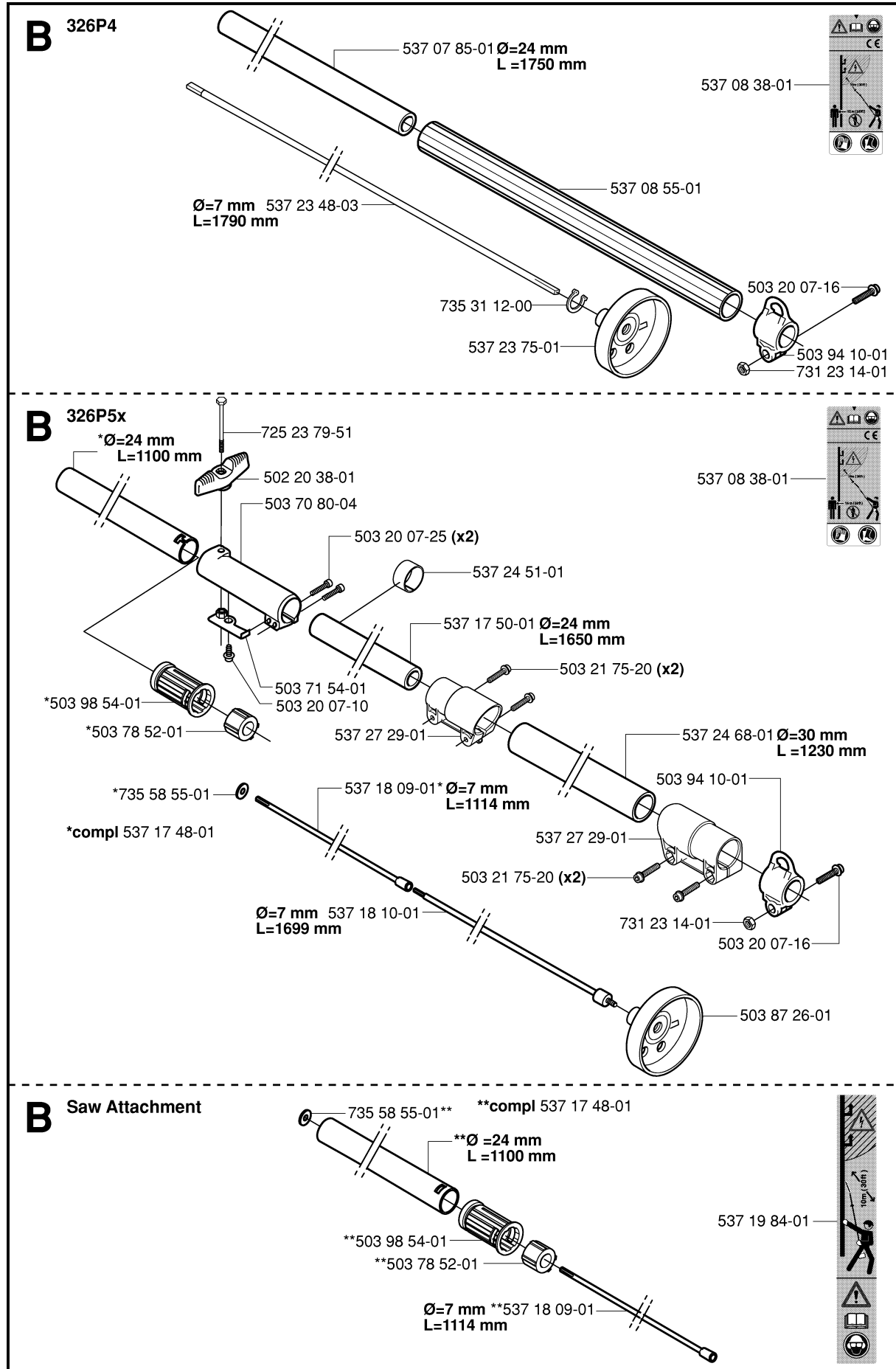
**(1)** 531 00 45-52  
**Set of gaskets**  
**Dichtungssatz**  
**Juego de juntas**  
**Jeu de joints**  
**Packningssats**

**(2)** 531 00 45-53  
**Repairkit**  
**Reparatursatz**  
**Juego de reparación**  
**Kit de réparation**  
**Reparationssats**

## CARBURETOR

326P 5 X-SERIES, 20062800001-20081199999

| Part No      | Description         | Remark | QTY KIT |
|--------------|---------------------|--------|---------|
| 503 28 34-01 | CARBURETTOR         |        | 1       |
| 503 47 89-01 | COLLAR              |        | 1       |
| 503 47 90-01 | SCREW               |        | 1       |
| 503 47 92-01 | SCREW               |        | 1       |
| 503 47 96-01 | SCREW               |        | 1       |
| 503 47 97-01 | VALVE               |        | 1       |
| 503 48 00-01 | PIN RETAINING SCREW |        | 1       |
| 503 48 01-01 | SCREW               |        | 1       |
| 503 48 05-01 | SCREW               |        | 2       |
| 503 48 08-01 | SPRING              |        | 1       |
| 503 48 11-01 | PIECE               |        | 1       |
| 503 48 18-01 | SCREW               |        | 1       |
| 503 48 19-01 | COLLAR              |        | 1       |
| 503 53 57-01 | STRAINER            |        | 1       |
| 503 66 59-01 | LEVER               |        | 1       |
| 503 75 53-01 | SCREW               |        | 1       |
| 503 97 40-01 | WASHER              |        | 1       |
| 503 97 43-01 | COVER               |        | 1       |
| 537 01 25-01 | BALL                |        | 1       |
| 537 01 26-01 | SPRING              |        | 1       |
| 537 01 96-01 | SHAFT ASSY          |        | 1       |
| 537 01 97-01 | SPRING              |        | 1       |
| 537 01 98-01 | LEVER               |        | 1       |
| 537 01 99-01 | VALVE               |        | 1       |
| 537 02 00-01 | DIAPHRAGM PUMP      |        | 1       |
| 537 02 01-01 | GASKET              |        | 1       |
| 537 02 02-01 | COVER               |        | 1       |
| 537 02 03-01 | SPRING              |        | 1       |
| 537 02 04-01 | GASKET              |        | 1       |
| 537 02 06-01 | SCREW               |        | 1       |
| 537 02 07-01 | SCREW               |        | 1       |
| 537 02 08-01 | PLUG                |        | 1       |
| 537 02 10-01 | SPRING              |        | 1       |
| 537 02 16-01 | LIMITER CAP         |        | 1       |
| 537 02 16-01 | LIMITER CAP         |        | 1       |
| 537 04 89-01 | DIAPHRAGM           |        | 1       |
| 537 04 90-01 | LEVER               |        | 1       |
| 537 12 78-01 | SCREW               |        | 1       |
| 537 37 03-01 | VALVE               |        | 1       |
| 537 37 03-01 | VALVE               |        | 1       |



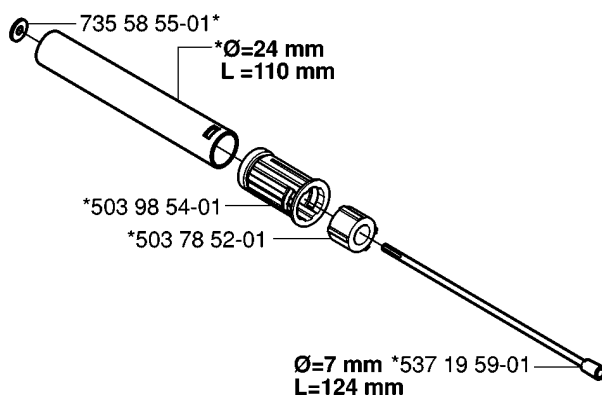


## ATTACHMENTS

326P 5 X-SERIES, 20062800001-20081199999

| Part No      | Description        | Remark | QTY KIT |
|--------------|--------------------|--------|---------|
| 502 20 38-01 | KNOB               |        | 1       |
| 503 20 07-10 | SCREW IHSCFM       |        | 1       |
| 503 20 07-16 | SCREW IHSCFM       |        | 1       |
| 503 20 07-25 | SCREW IHSCFM       |        | 1       |
| 503 21 75-20 | SCREW IHSCFT       |        | 1       |
| 503 70 80-04 | SLEEVE             |        | 1       |
| 503 71 54-01 | LOCKING PLATE      |        | 1       |
| 503 78 52-01 | SUPPORTING BEARING |        | 1       |
| 503 87 26-01 | CLUTCH DRUM ASSY   |        | 1       |
| 503 94 10-01 | HOOK               |        | 1       |
| 503 98 54-01 | BEARING CAGE       |        | 1       |
| 537 08 38-01 | LABEL              |        | 1       |
| 537 17 48-01 | TUBE               |        | 1       |
| 537 17 50-01 | TUBE               |        | 1       |
| 537 18 09-01 | DRIVE SHAFT        |        | 1       |
| 537 18 10-01 | DRIVE SHAFT        |        | 1       |
| 537 24 51-01 | SPACER             |        | 1       |
| 537 24 68-01 | PIPE               |        | 1       |
| 537 27 29-01 | COMPRESSION SLEEVE |        | 1       |
| 725 23 79-51 | SCREW EHHM         |        | 1       |
| 731 23 14-01 | HEXAGON NUT        |        | 1       |
| 735 58 55-01 | WASHER             |        | 1       |

**B** Saw Attachment  
\*compl 537 19 58-01



537 19 84-01

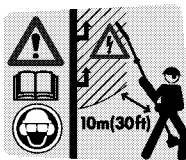
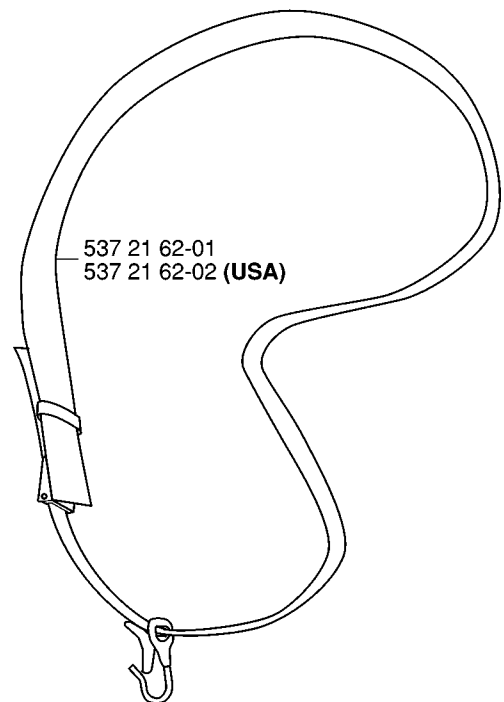
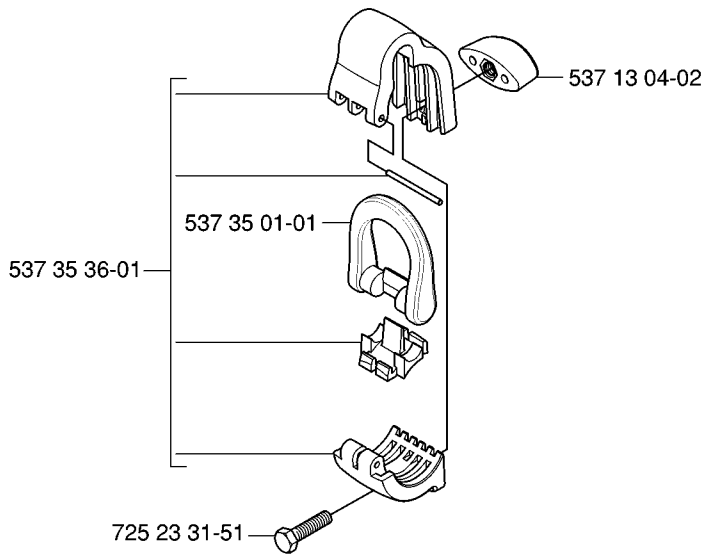
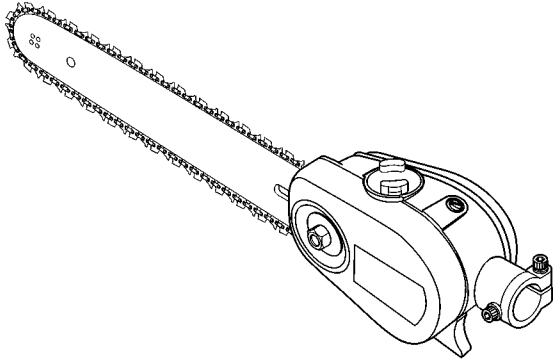


## ATTACHMENTS

326P 5 X-SERIES, 20062800001-20081199999

| Part No      | Description        | Remark | QTY KIT |
|--------------|--------------------|--------|---------|
| 503 78 52-01 | SUPPORTING BEARING |        | 1       |
| 503 98 54-01 | BEARING CAGE       |        | 1       |
| 537 13 04-02 | KNOB               |        | 1       |
| 537 19 58-01 | TUBE               |        | 1       |
| 537 19 59-01 | DRIVE SHAFT        |        | 1       |
| 537 19 84-01 | LABEL              |        | 1       |
| 735 58 55-01 | WASHER             |        | 1       |

**P** Saw Attachment  
compl 537 18 33-11  
compl 537 18 33-12 (USA)



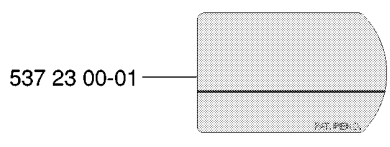
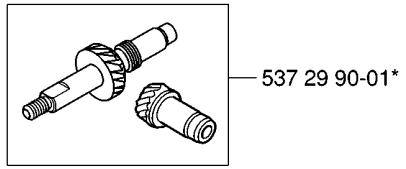
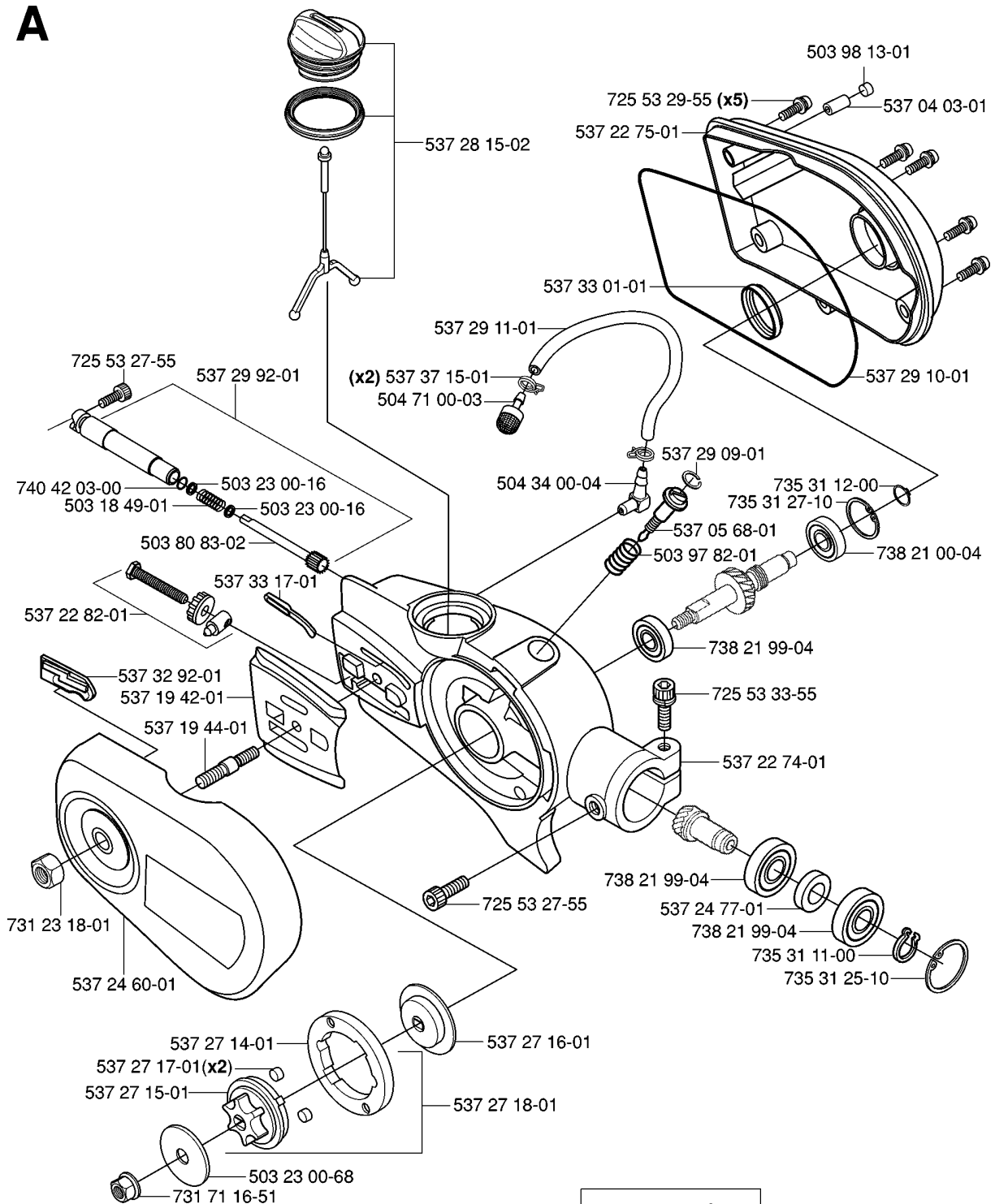
537 38 89-01

## ATTACHMENTS

326P 5 X-SERIES, 20062800001-20081199999

| Part No      | Description | Remark | QTY KIT |
|--------------|-------------|--------|---------|
| 537 13 04-02 | KNOB        |        | 1       |
| 537 18 33-16 | ATTACHMENT  |        | 1       |
| 537 18 33-17 | ATTACHMENT  |        | 1       |
| 537 21 62-01 | HARNESS     |        | 1       |
| 537 21 62-02 | HARNESS     |        | 1       |
| 537 35 01-01 | LOOP        |        | 1       |
| 537 35 36-01 | LOOP        |        | 1       |
| 537 38 89-01 | LABEL       |        | 1       |
| 725 23 31-51 | SCREW       |        | 1       |

**A**



## GEAR HOUSING

326P 5 X-SERIES, 20062800001-20081199999

| Part No      | Description        | Remark | QTY KIT |
|--------------|--------------------|--------|---------|
| 503 18 49-01 | SPRING             |        | 1       |
| 503 23 00-16 | WASHER             |        | 1       |
| 503 23 00-16 | WASHER             |        | 1       |
| 503 23 00-68 | WASHER             |        | 1       |
| 503 80 83-02 | PUMP PISTON        |        | 1       |
| 503 97 82-01 | SPRING             |        | 1       |
| 503 98 13-01 | PLUG               |        | 1       |
| 504 34 00-04 | FITTING            |        | 1       |
| 504 71 00-03 | OIL PLUMMET        |        | 1       |
| 537 04 03-01 | VALVE              |        | 1       |
| 537 05 68-01 | ADJUSTER           |        | 1       |
| 537 19 42-01 | CHAIN GUIDE PLATE  |        | 1       |
| 537 19 44-01 | BAR BOLT           |        | 1       |
| 537 22 74-01 | HOUSING            |        | 1       |
| 537 22 75-01 | HUB CAP            |        | 1       |
| 537 22 82-01 | CHAIN TENSIONER    |        | 1       |
| 537 23 00-01 | LABEL              |        | 1       |
| 537 24 60-01 | COVER              |        | 1       |
| 537 24 77-01 | SPACER             |        | 1       |
| 537 27 14-01 | RING               |        | 1       |
| 537 27 15-01 | HUB                |        | 1       |
| 537 27 16-01 | HUB CAP            |        | 1       |
| 537 27 17-01 | BUSHING            |        | 2       |
| 537 27 18-01 | FLYWHEEL           |        | 1       |
| 537 28 15-02 | TANK CAP ASSY      |        | 1       |
| 537 29 09-01 | CIRCLIP            |        | 1       |
| 537 29 10-01 | O-RING             |        | 1       |
| 537 29 11-01 | HOSE               |        | 1       |
| 537 29 90-01 | GEAR WHEEL KIT     |        | 1       |
| 537 29 92-01 | OIL PUMP ASSY      |        | 1       |
| 537 32 92-01 | SEALING            |        | 1       |
| 537 33 01-01 | SEALING            |        | 1       |
| 537 33 17-01 | OIL DUCT           |        | 1       |
| 537 37 15-01 | HOSE CLAMP         |        | 2       |
| 725 53 27-55 | SCREW IHSCM        |        | 1       |
| 725 53 27-55 | SCREW IHSCM        |        | 1       |
| 725 53 29-55 | SCREW IHSCM        |        | 5       |
| 725 53 33-55 | SCREW IHSCM        |        | 1       |
| 731 23 18-01 | HEXAGON NUT        |        | 1       |
| 731 71 16-51 | HEXAGON NUT FLANGE |        | 1       |
| 735 31 11-00 | CIRCLIP            |        | 1       |
| 735 31 12-00 | CIRCLIP            |        | 1       |
| 735 31 25-10 | CIRCLIP            |        | 1       |
| 735 31 27-10 | CIRCLIP            |        | 1       |
| 738 21 00-04 | BALL BEARING       |        | 1       |
| 738 21 99-04 | BALL BEARING       |        | 1       |
| 738 21 99-04 | BALL BEARING       |        | 1       |
| 738 21 99-04 | BALL BEARING       |        | 1       |
| 740 42 03-00 | O-RING             |        | 1       |