



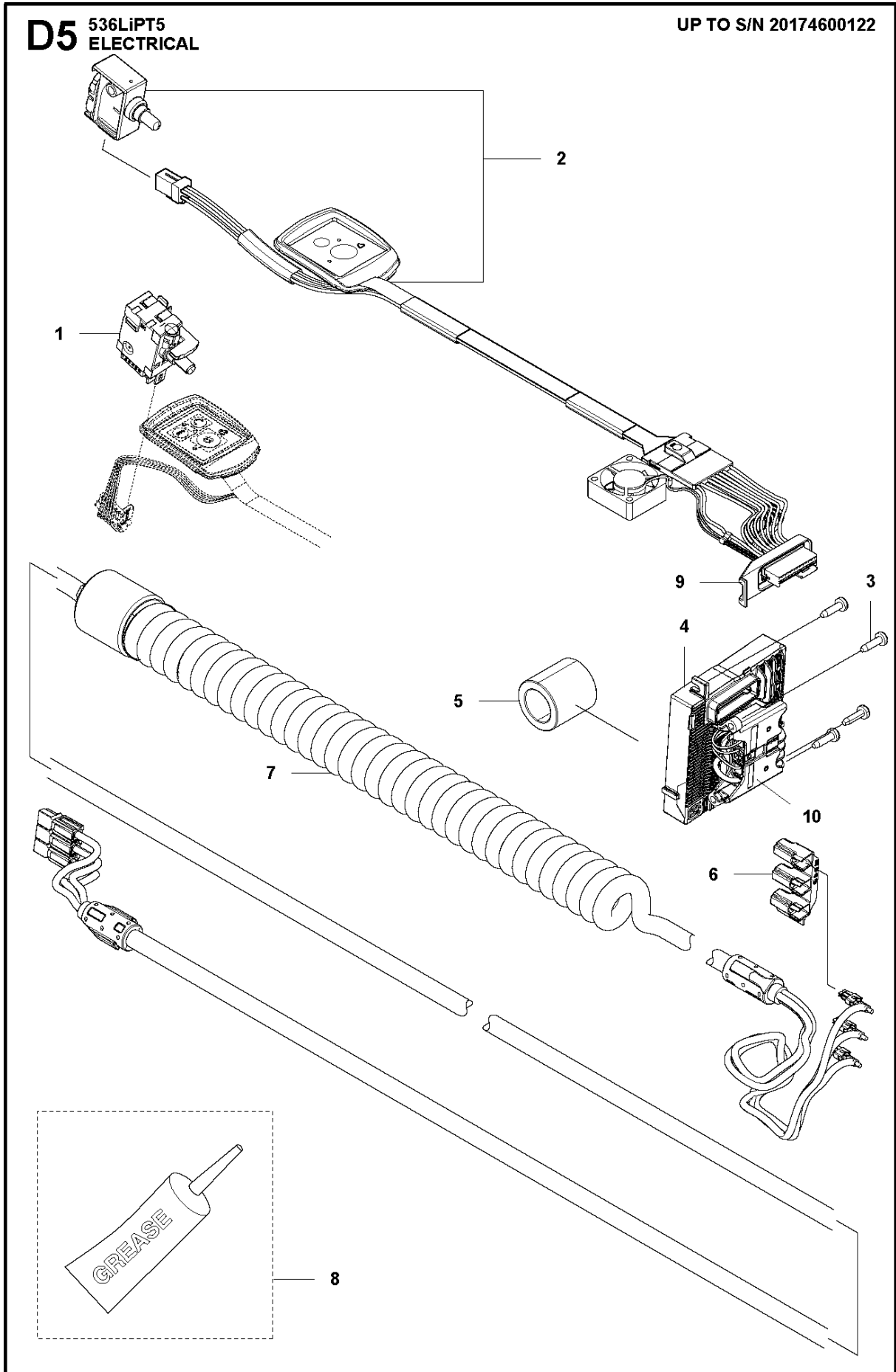
SPARE PARTS LIST

POLE PRUNER/POLE SAWS

536LiPT5

D5 536LiPT5
ELECTRICAL

UP TO S/N 20174600122

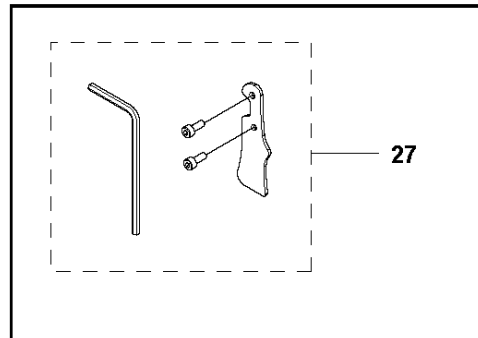
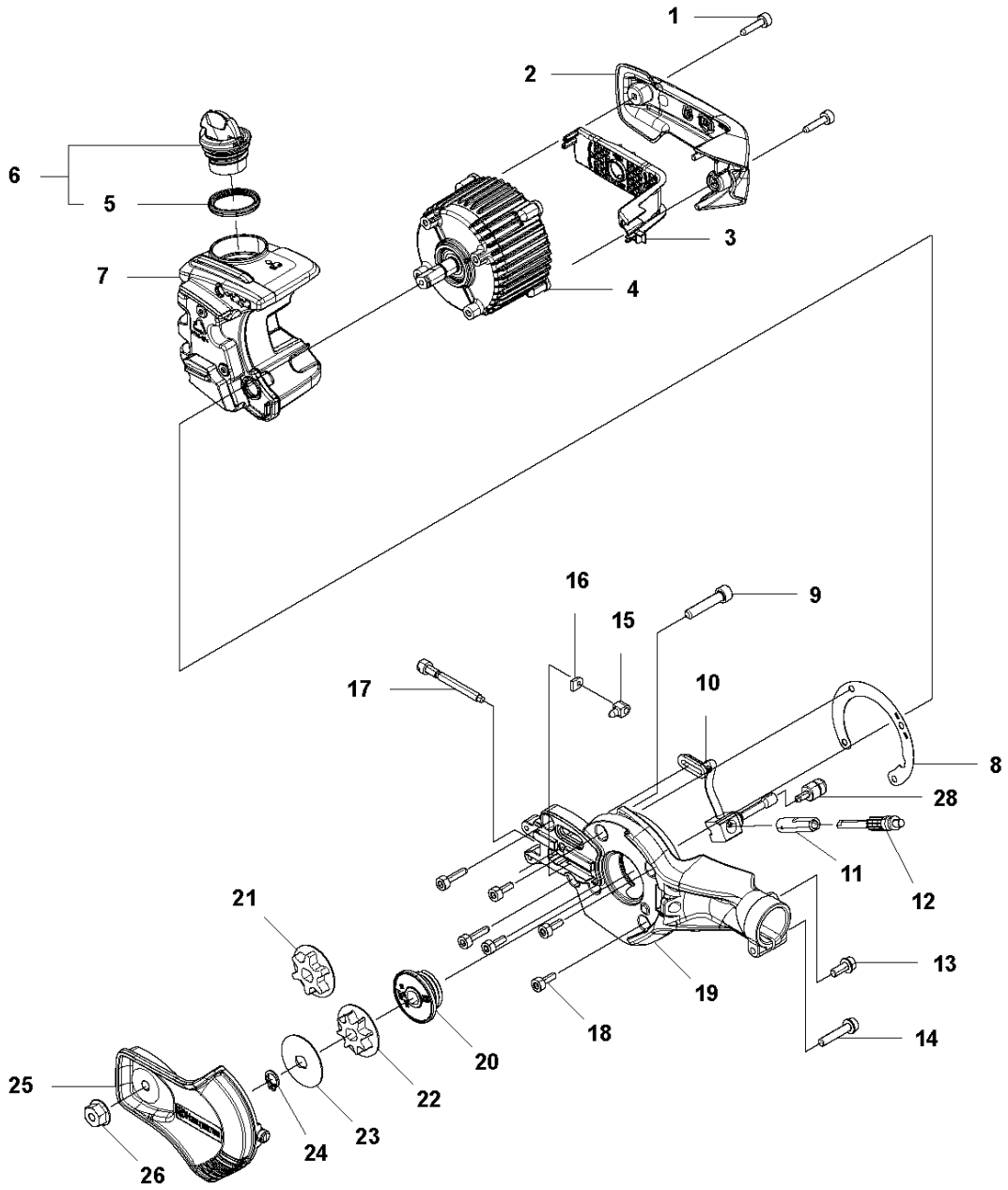


ELECTRICAL

536LiPT5

Ref	Part No	Description	Remark	QTY KIT
1	578 32 69-01	TRIGGER SWITCH		1
2	593 89 67-01	SWITCH KIT		1
3	503 21 28-13	SCREW CCRPANT		4
4	582 05 41-01	CONTROL UNIT		1
5	577 97 66-01	FERRITE CORE		1
6	588 25 53-01	HOUSING		1
7	587 02 83-01	WIRING ASSY		1
8	588 17 64-01	GREASE		1
9	587 32 72-01	BRACKET		1
10	593 81 30-01	CONNECTOR		1

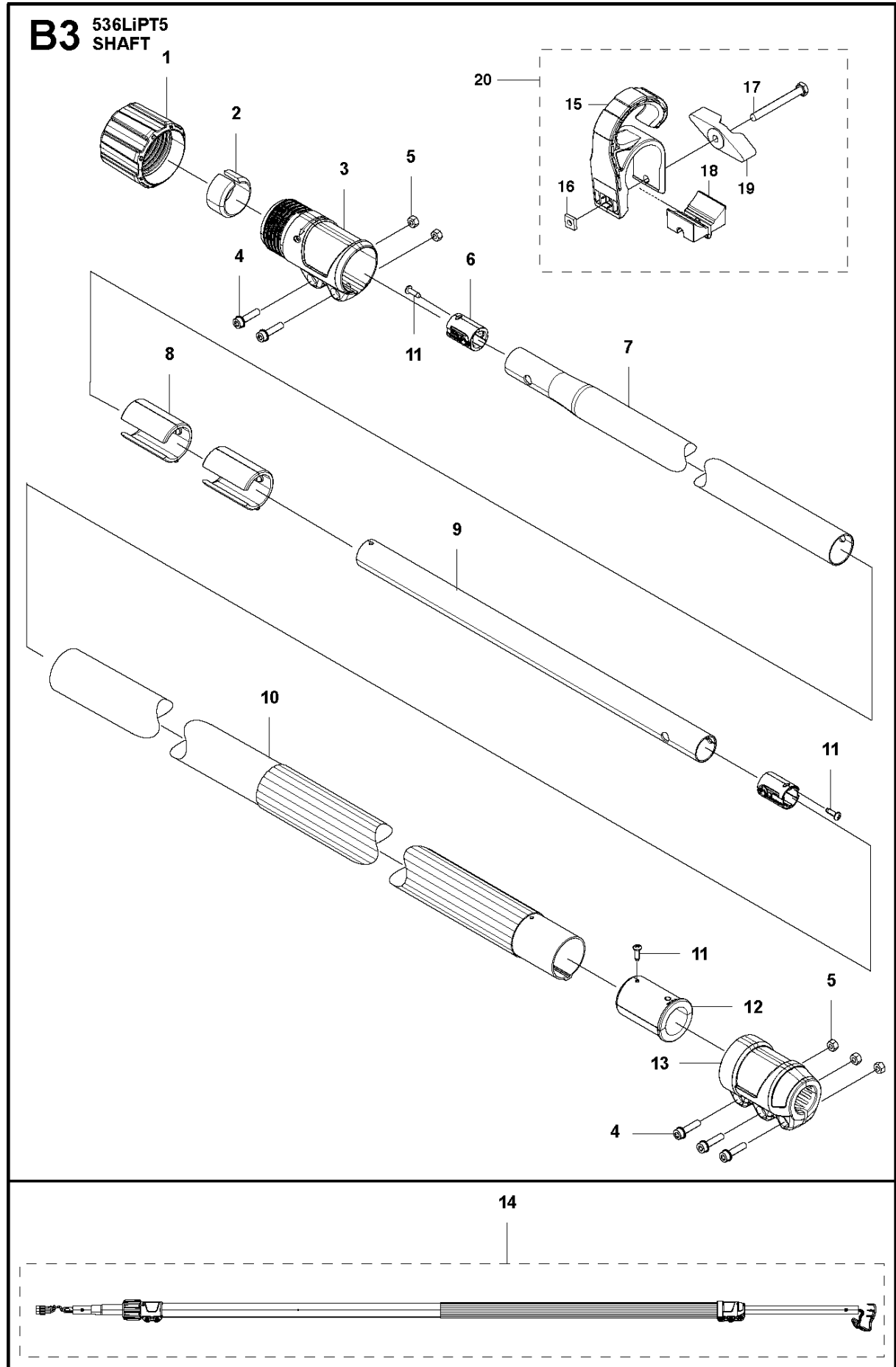
A 536LiPX, 536LiP4, 536LiPT5
SAW HEAD



SAW HEAD

536LiPT5

Ref	Part No	Description	Remark	QTY KIT
1	579 21 19-01	SCREW IH SCT		4
2	587 34 72-01	COVER		1
3	587 34 71-01	BRACKET		1
4	587 69 08-01	MOTOR ASSY		1
5	589 24 13-01	GASKET		1
6	577 87 86-03	TANK CAP ASSY		1
7	587 34 68-01	OIL TANK		1
8	587 73 42-01	INSULATOR		1
9	576 83 10-01	SCREW IHSCM		1
10	587 34 65-02	OIL HOSE		1
11	537 15 48-01	PUMP CYLINDER		1
12	540 05 79-01	PUMP PISTON		1
13	503 20 14-12	SCREW IHSCFMO		1
14	503 20 07-78	SCREW IHSCFM		1
15	580 65 32-01	PAWL		1
16	501 45 27-02	LOCK NUT		1
17	580 46 25-01	SCREW		1
18	503 20 25-12	SCREW IHSCM		4
19	579 77 63-01	CHASSIS		1
20	587 34 73-02	PUMP PINION	LiPX EU, LiP4 US, LiPT5 US/CA	1
21	577 60 76-01	SPUR SPROCKET	LiP4 EU, LiPT5 EU	1
22	579 53 45-01	SPUR SPROCKET		1
23	577 27 15-01	WASHER		1
24	735 31 12-00	CIRCLIP		1
25	587 90 19-03	COVER		1
26	503 22 00-07	HEXAGON NUT		1
27	588 69 80-02	ACCESSORY BAG		1
28	504 71 00-03	OIL PLUMMET		1

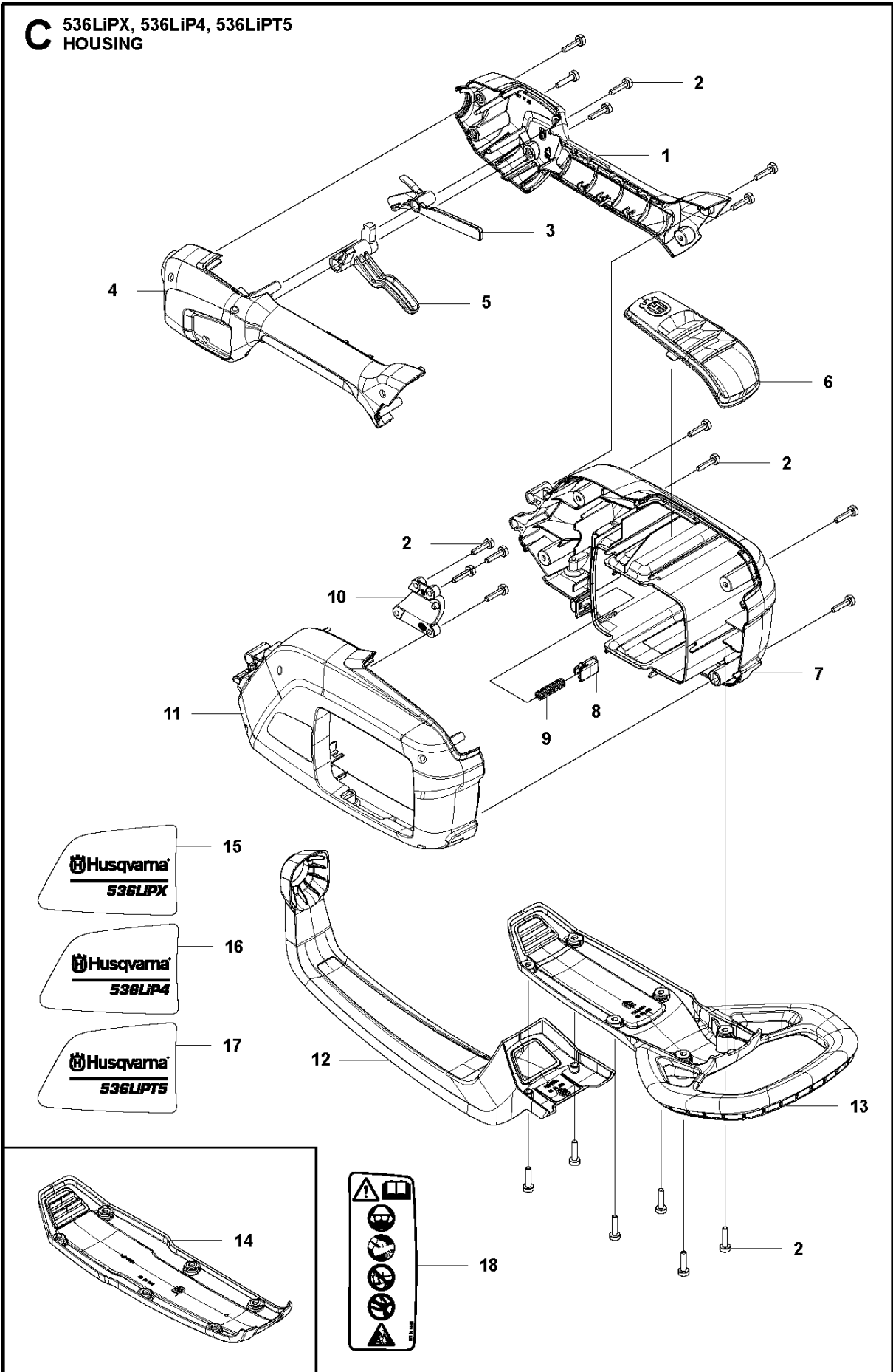


SHAFT

536LiPT5

Ref	Part No	Description	Remark	QTY	KIT
1	510 09 61-01	NUT		1	
2	522 74 26-01	RING		1	
3	510 09 60-01	CLAMPING SLEEVE		1	
4	731 23 14-01	HEXAGON NUT		5	
5	503 20 07-76	SCREW IHSCFM		5	
6	586 87 30-01	SPACER		2	
7	587 00 47-01	TUBE		1	
8	587 00 48-01	GUIDE BUSHING		2	
9	587 20 73-01	TUBE		1	
10	586 91 42-01	TUBE		1	
11	530 01 60-64	SCREW		3	
12	587 73 06-01	SLEEVE		1	
13	522 59 70-01	CLAMPING SLEEVE		1	
14	586 91 43-01	TUBE		1	
15	522 72 31-01	LOOP		1	20
16	502 19 71-01	SQUARE NUT		1	20
17	725 23 81-51	SCREW EHHM		1	20
18	522 72 31-01	LOOP		1	20
19	502 20 38-01	KNOB		1	20
20	579 26 40-01	LOOP		1	

C 536LiPX, 536LiP4, 536LiPT5
HOUSING



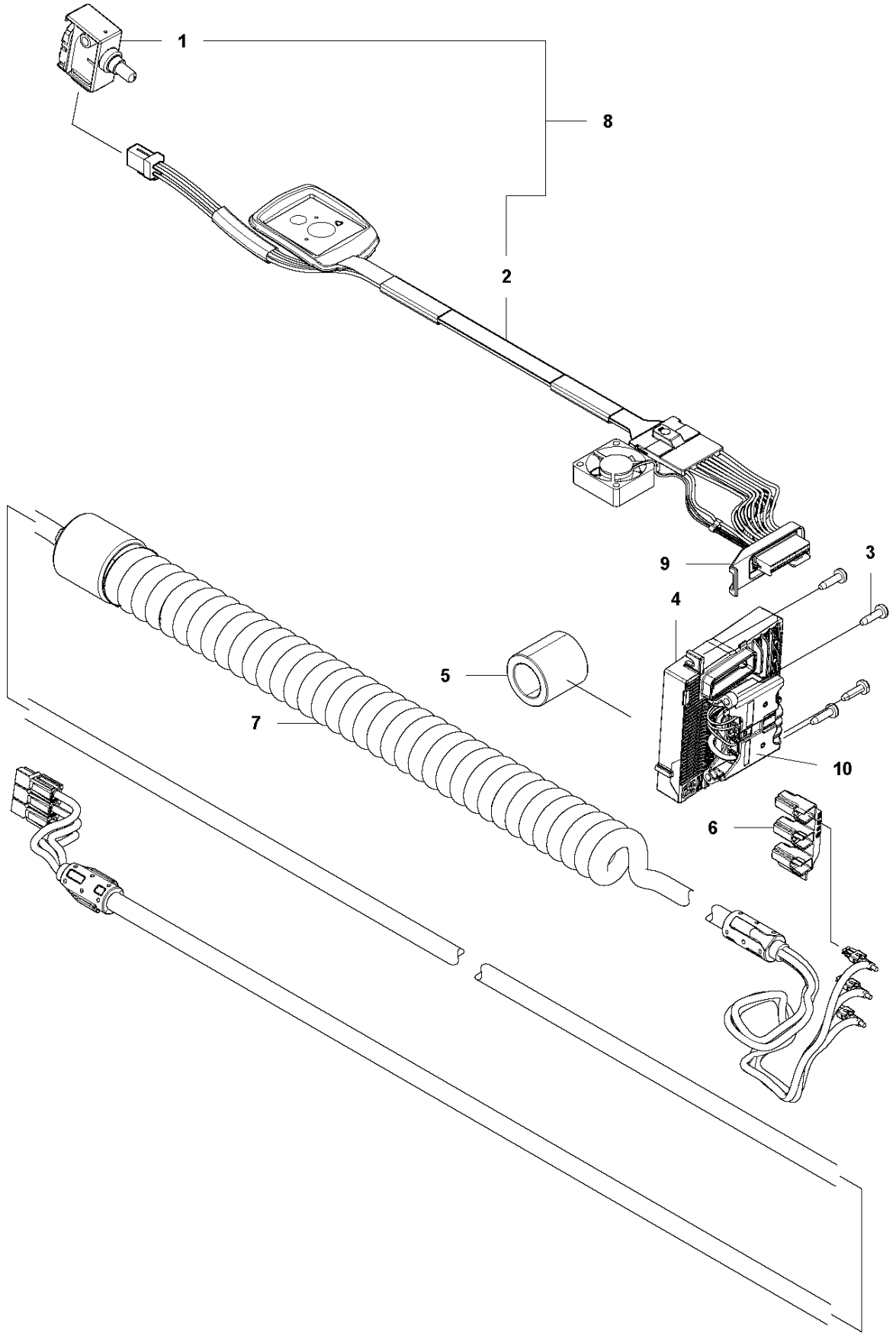
HOUSING

536LiPT5

Ref	Part No	Description	Remark	QTY KIT
1	577 01 32-02	HANDLE HALF		1
2	579 21 19-01	SCREW IHST		20
3	577 51 23-01	THROTTLE LOCKOUT		1
4	577 01 31-01	HANDLE HALF		1
5	589 37 79-01	TRIGGER		1
6	577 01 41-01	COVER		1
7	577 01 30-02	HOUSING		1
8	577 99 66-01	PUSH BUTTON		1
9	585 48 00-01	SPRING		1
10	577 02 22-01	CLAMP		1
11	577 00 76-03	HOUSING		1
12	587 34 60-01	TRIGGER		1
13	587 34 58-01	BUMPER		1
14	577 01 42-01	SKID PLATE		1
15	588 60 28-03	DECAL		1
16	588 60 28-02	DECAL		1
17	588 60 28-01	DECAL		1
18	577 84 43-01	DECAL		1

D6 536LiPT5
ELECTRICAL

FROM S/N 20174600122

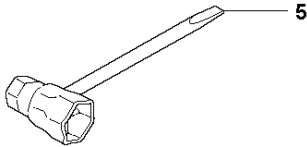
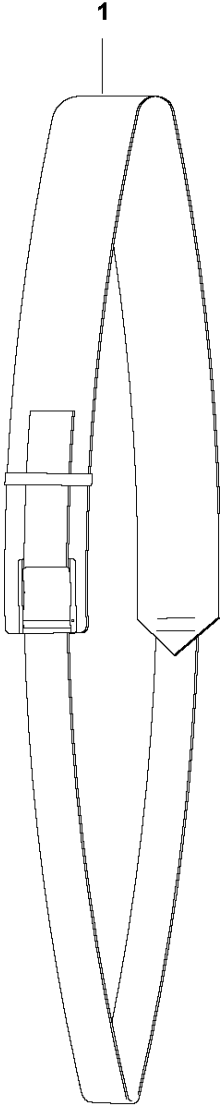


ELECTRICAL

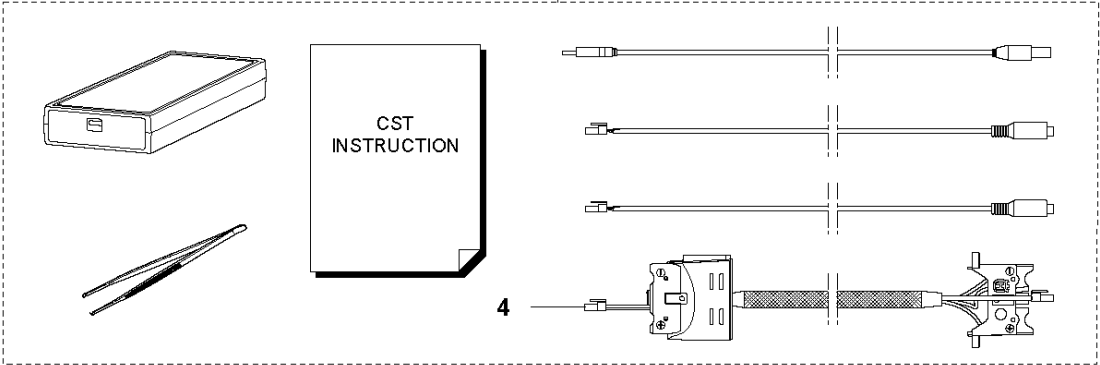
536LiPT5

Ref	Part No	Description	Remark	QTY	KIT
1	582 05 07-01	TRIGGER SWITCH		1	8
2	589 29 39-01	WIRING ASSY		1	8
3	503 21 28-13	SCREW CCRPANT		4	
4	582 05 41-01	CONTROL UNIT		1	
5	577 97 66-01	FERRITE CORE		1	
6	588 25 53-01	HOUSING		1	
7	587 02 83-01	WIRING ASSY		1	
8	593 89 67-01	SWITCH KIT		1	
9	587 32 72-01	BRACKET		1	
10	593 81 30-01	CONNECTOR		1	

E3 536LiPT5
ACCESSORIES



3



ACCESSORIES

536LiPT5

Ref	Part No	Description	Remark	QTY	KIT
1	537 21 62-03	HARNES		1	
3	583 89 71-01	DIAGNOSTIC TOOL KIT		1	
4	579 62 13-01	WIRING ASSY		1	3
5	501 69 17-01	COMBINATION WRENCH		1	