

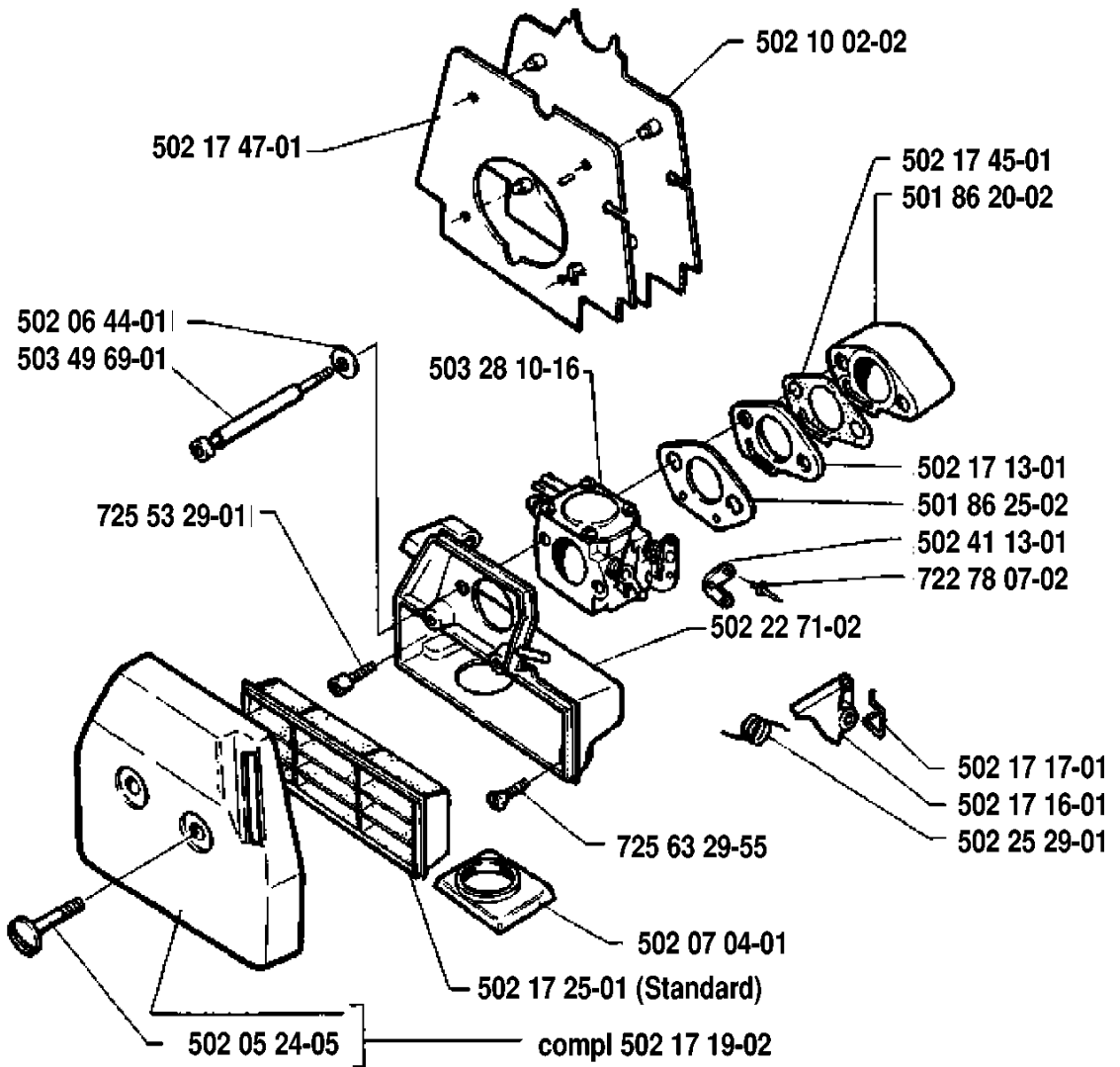


SPARE PARTS LIST

POLE PRUNER/POLE SAWS

PS50, 1991-12

A

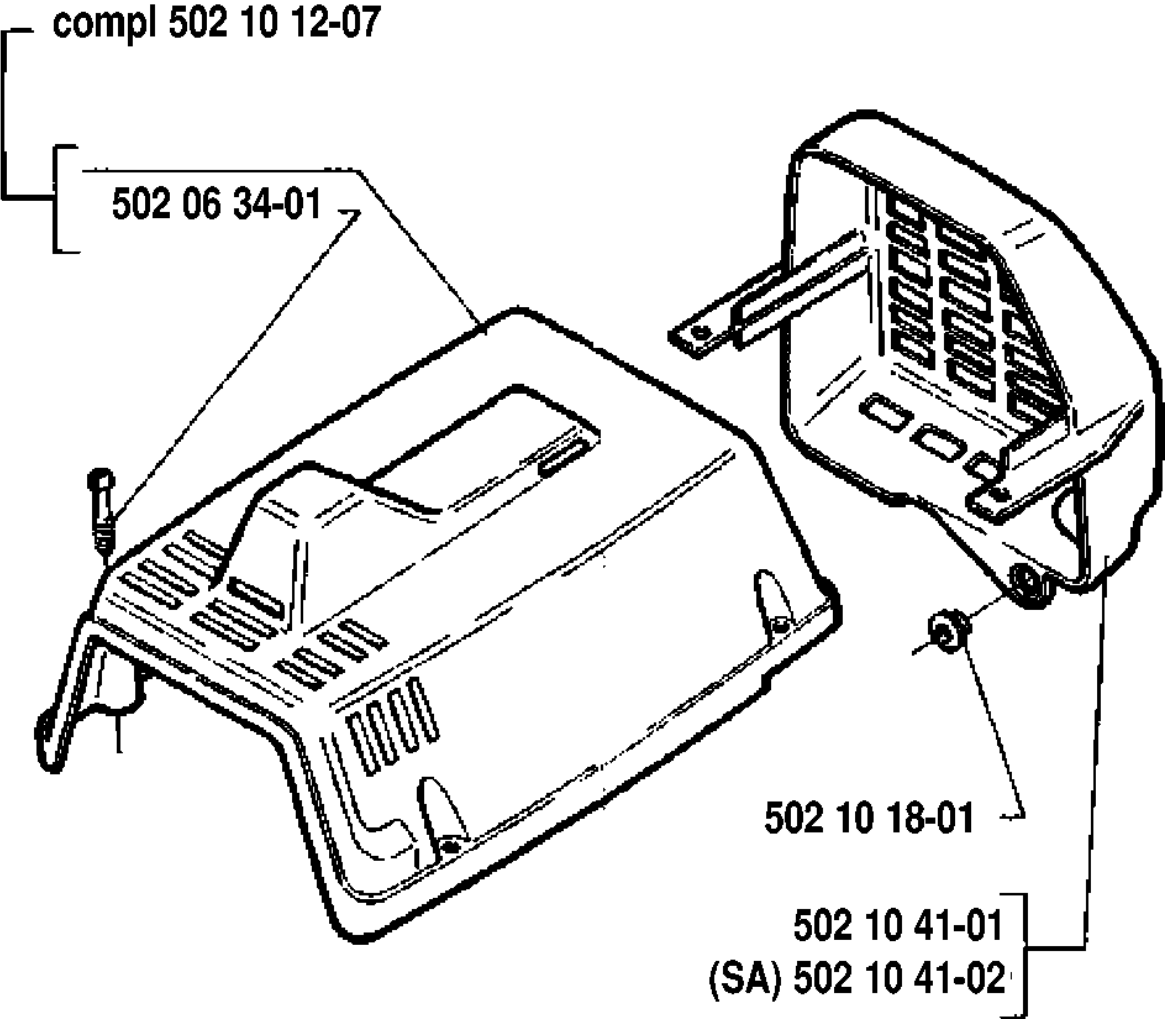


CARBURETOR & AIR FILTER

PS50, 1991-12

Part No	Description	Remark	QTY KIT
501 86 20-02	MANIFOLD		1
501 86 25-02	GASKET		1
502 05 24-05	SCREW		1
502 06 44-01	WASHER		1
502 07 04-01	INSUGNINGSANSLUTNING		1
502 10 02-02	INSULATION WALL		1
502 17 13-01	FLANGE DISTANCE PIECE		1
502 17 16-01	CHOKE CONTROL		1
502 17 17-01	LÄNKTRÅD		1
502 17 19-02	FILTER COVER		1
502 17 25-01	AIR FILTER ASSY	STANDARD	1
502 17 45-01	GASKET		1
502 17 47-01	INSULATION WALL		1
502 22 71-02	FILTER HOLDER		1
502 25 29-01	SPRING		1
502 41 13-01	THROTTLE LEVER		1
503 28 10-16	CARBURETTOR		1
503 49 69-01	SCREW		1
722 78 07-02	BLIND RIVET		1
725 53 29-01	SCREW IHSCM		1
725 63 29-55	SCREW IHCSFM		1

B

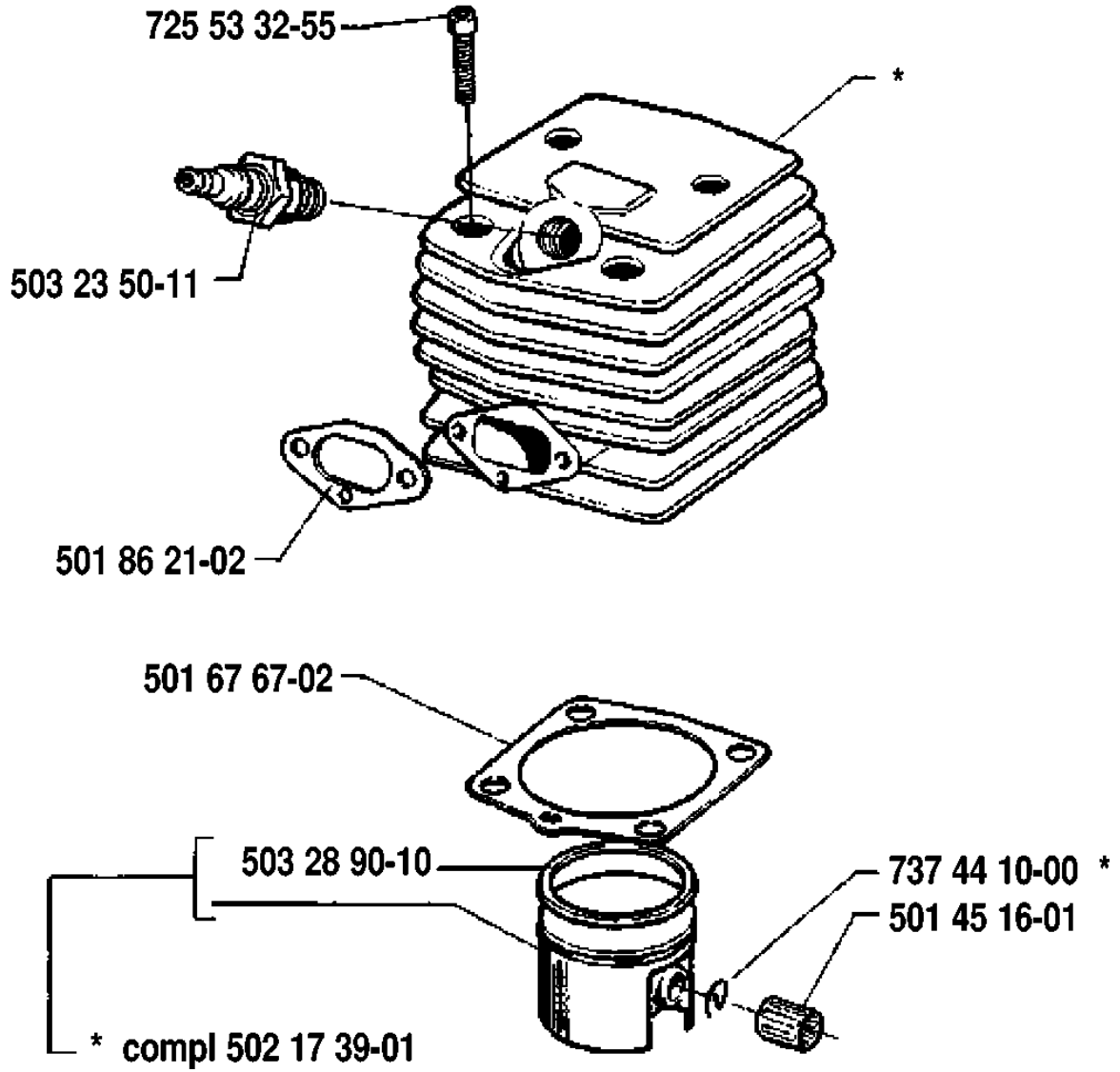


CYLINDER COVER

PS50, 1991-12

Part No	Description	Remark	QTY KIT
502 06 34-01	SCREW		1
502 10 12-07	CYLINDER COVER ASSY		1
502 10 18-01	SPACING SLEEVE		1
502 10 41-01	HEAT PROTECTOR		1
502 10 41-02	HEAT PROTECTOR	SA	1

C * compl 502 17 37-01

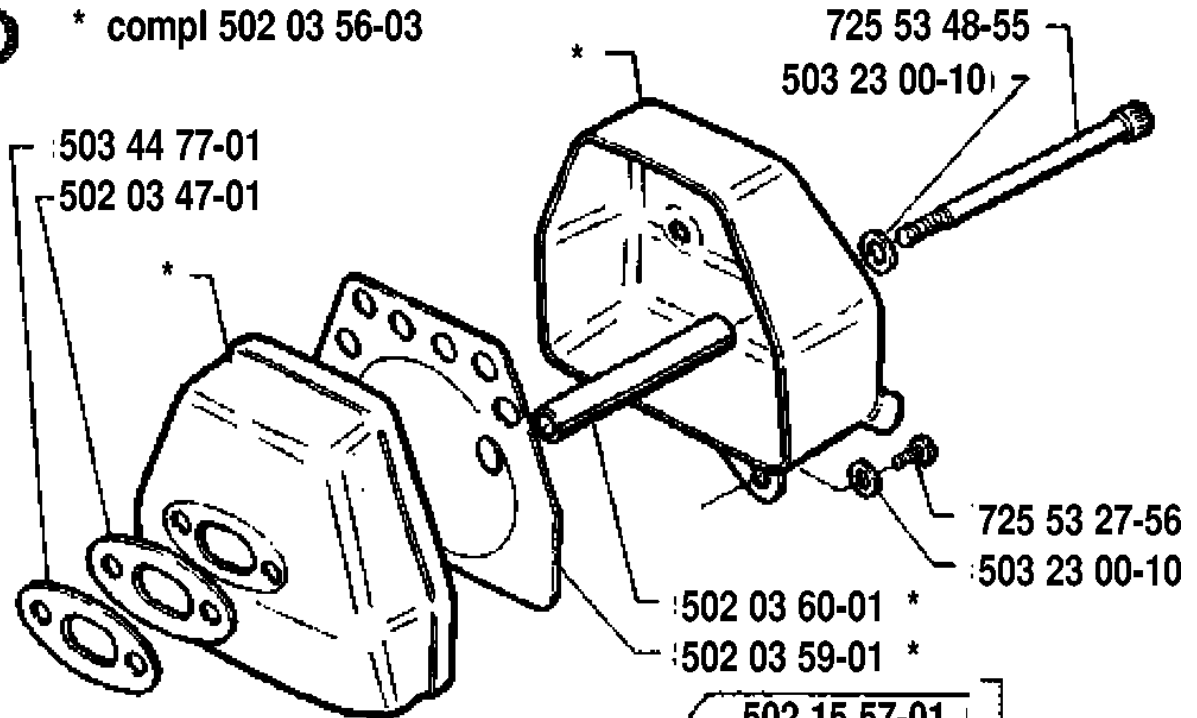


CYLINDER PISTON

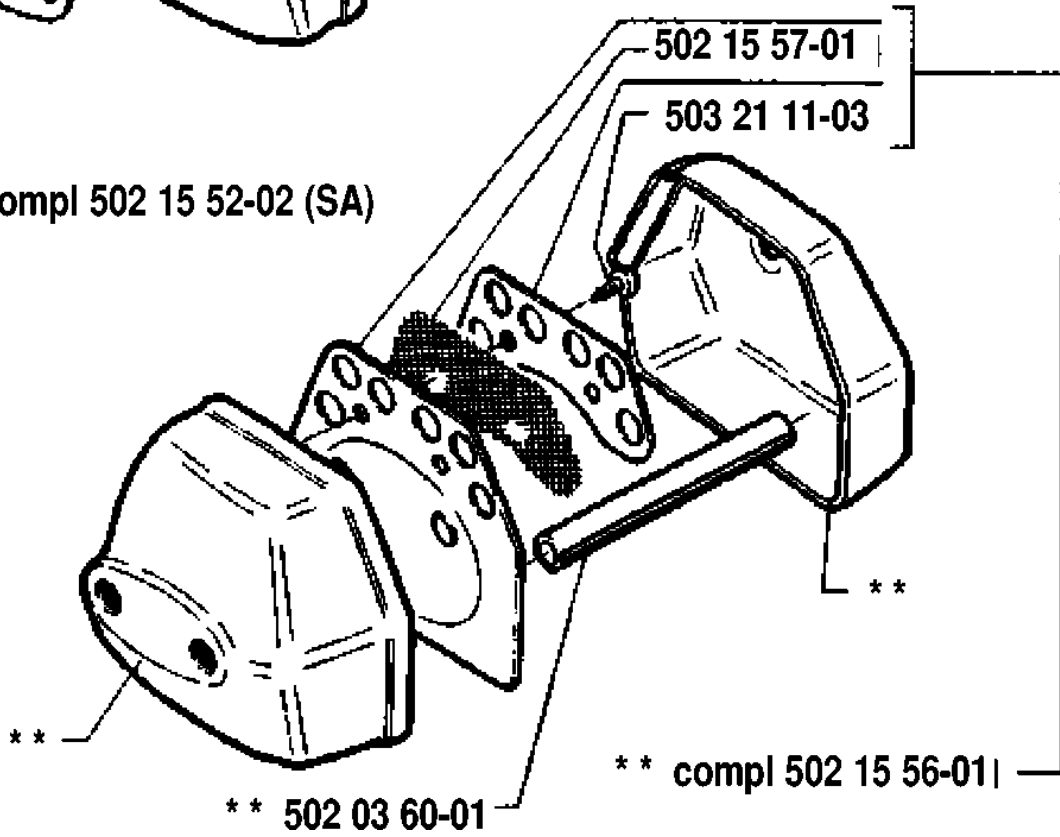
PS50, 1991-12

Part No	Description	Remark	QTY KIT
501 45 16-01	NEEDLE BEARING		1
501 67 67-02	GASKET		1
501 86 21-02	GASKET		1
502 17 37-01	CYLINDER ASSY		1
502 17 39-01	PISTON ASSY		1
503 23 50-11	SPARK PLUG		1
503 28 90-10	PISTON RING		1
725 53 32-55	SCREW		1
737 44 10-00	SNAP RING		1

D * compl 502 03 56-03



** compl 502 15 52-02 (SA)

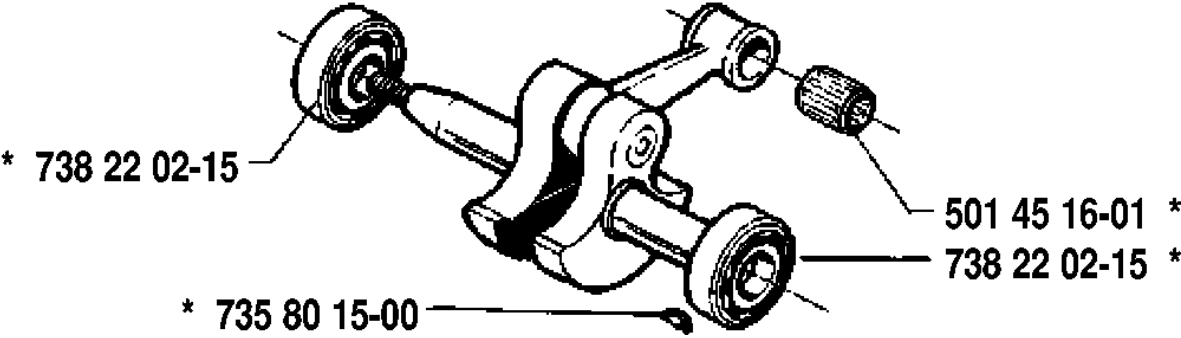


MUFFLER

PS50, 1991-12

Part No	Description	Remark	QTY KIT
502 03 47-01	FLANGE WASHER		1
502 03 56-03	MUFFLER ASSY		1
502 03 59-01	BAFFLE PLATE		1
502 03 60-01	SPACING TUBE		1
502 03 60-01	SPACING TUBE		1
502 15 52-02	MUFFLER ASSY	SA	1
502 15 56-01	BAFFLE PLATE		1
502 15 57-01	SCREEN		1
503 21 11-03	SCREW SLPANT		1
503 23 00-10	WASHER		1
503 23 00-10	WASHER		1
503 44 77-01	GASKET		1
725 53 27-56	SCREW IHSCM		1
725 53 48-55	SCREW		1

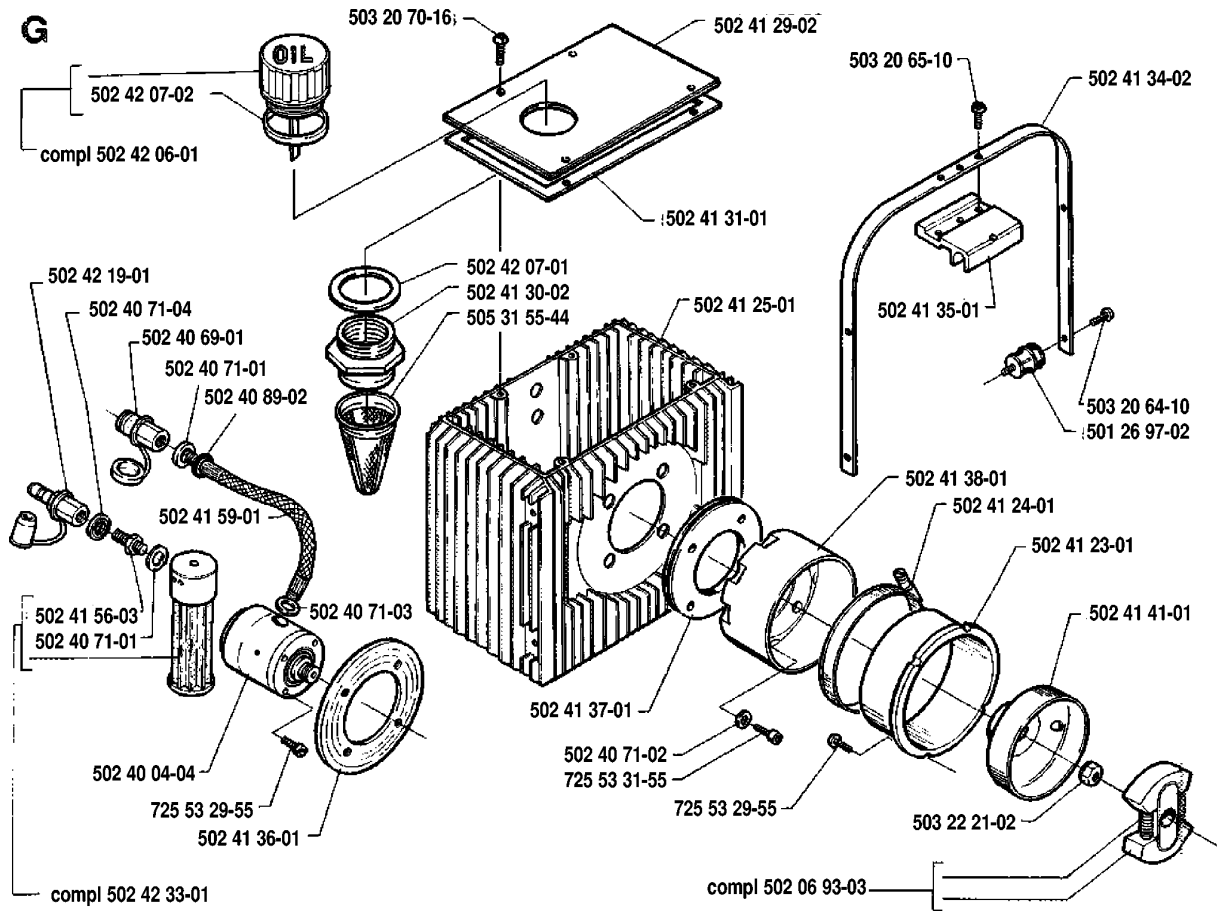
E * compl 502 06 40-01



CRANKSHAFT

PS50, 1991-12

Part No	Description	Remark	QTY KIT
501 45 16-01	NEEDLE BEARING		1
502 06 40-01	CRANKSHAFT ASSY		1
735 80 15-00	WOODRUFF KEY		1
738 22 02-15	BALL BEARING		1
738 22 02-15	BALL BEARING		1



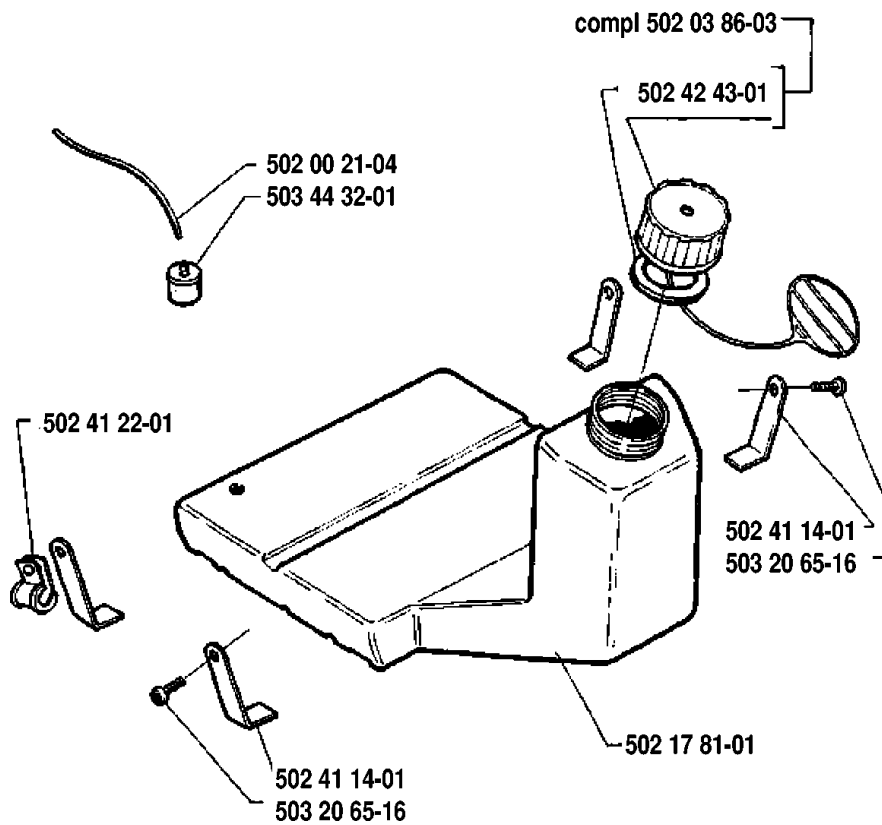
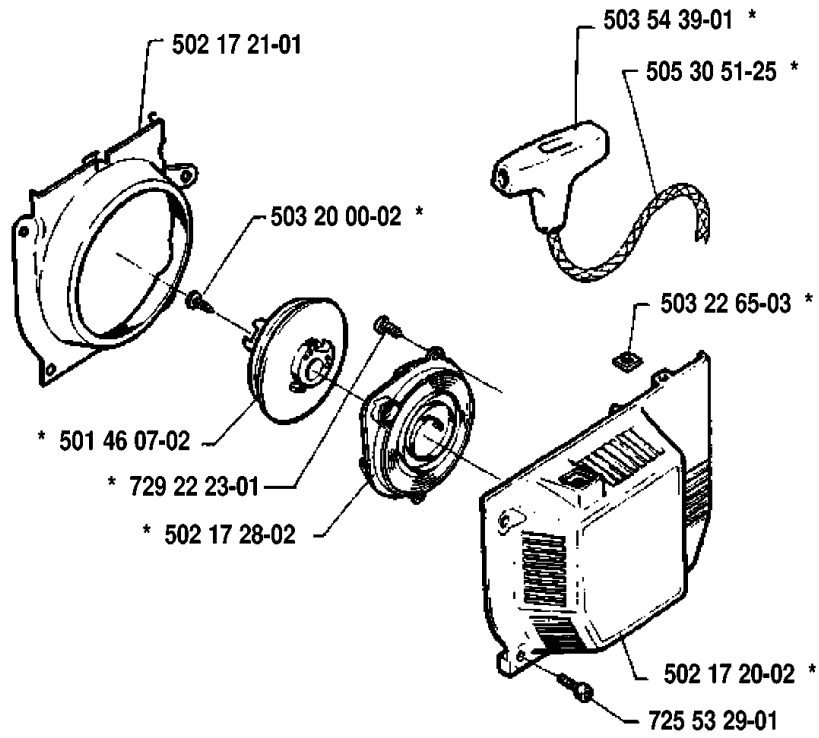
OIL TANK

PS50, 1991-12

Part No	Description	Remark	QTY KIT
501 26 97-02	ANTIVIBRATION ELEMENT		1
502 06 93-03	CLUTCH HUB		1
502 40 04-04	HYDRAULIC PUMP		1
502 40 69-01	CLUTCH		1
502 40 71-01	WASHER		1
502 40 71-01	WASHER		1
502 40 71-02	WASHER		1
502 40 71-03	WASHER		1
502 40 71-04	WASHER		1
502 40 89-02	O-RING		1
502 41 23-01	COMPRESSION SLEEVE		1
502 41 24-01	HOSE CLAMP		1
502 41 25-01	TANK HYDRAULTANK		1
502 41 29-02	HUB CAP		1
502 41 30-02	THREAD INSERT		1
502 41 31-01	GASKET		1
502 41 34-02	SHACKLE		1
502 41 35-01	CONSOLE		1
502 41 36-01	FLANGE		1
502 41 37-01	GASKET		1
502 41 38-01	SLEEVE		1
502 41 41-01	CLUTCH DRUM ASSY		1
502 41 56-03	NIPPLE		1
502 41 59-01	PRESSURE HOSE		1
502 42 06-01	PROPP KPL		1
502 42 07-01	GASKET		1
502 42 07-02	GASKET		1
502 42 19-01	NIPPLE		1
502 42 33-01	FILTER DIFF. SATS		1
503 20 64-10	SCREW CITXPANM		1
503 20 65-10	SCREW		1
503 20 70-16	SCREW		1
503 22 21-02	LOCK NUT		1
505 31 55-44	SPILLFILTER		1
725 53 29-55	SCREW IHSCM		1
725 53 29-55	SCREW IHSCM		1
725 53 31-55	SCREW IHSCM		1

F

* compl 502 26 30-01



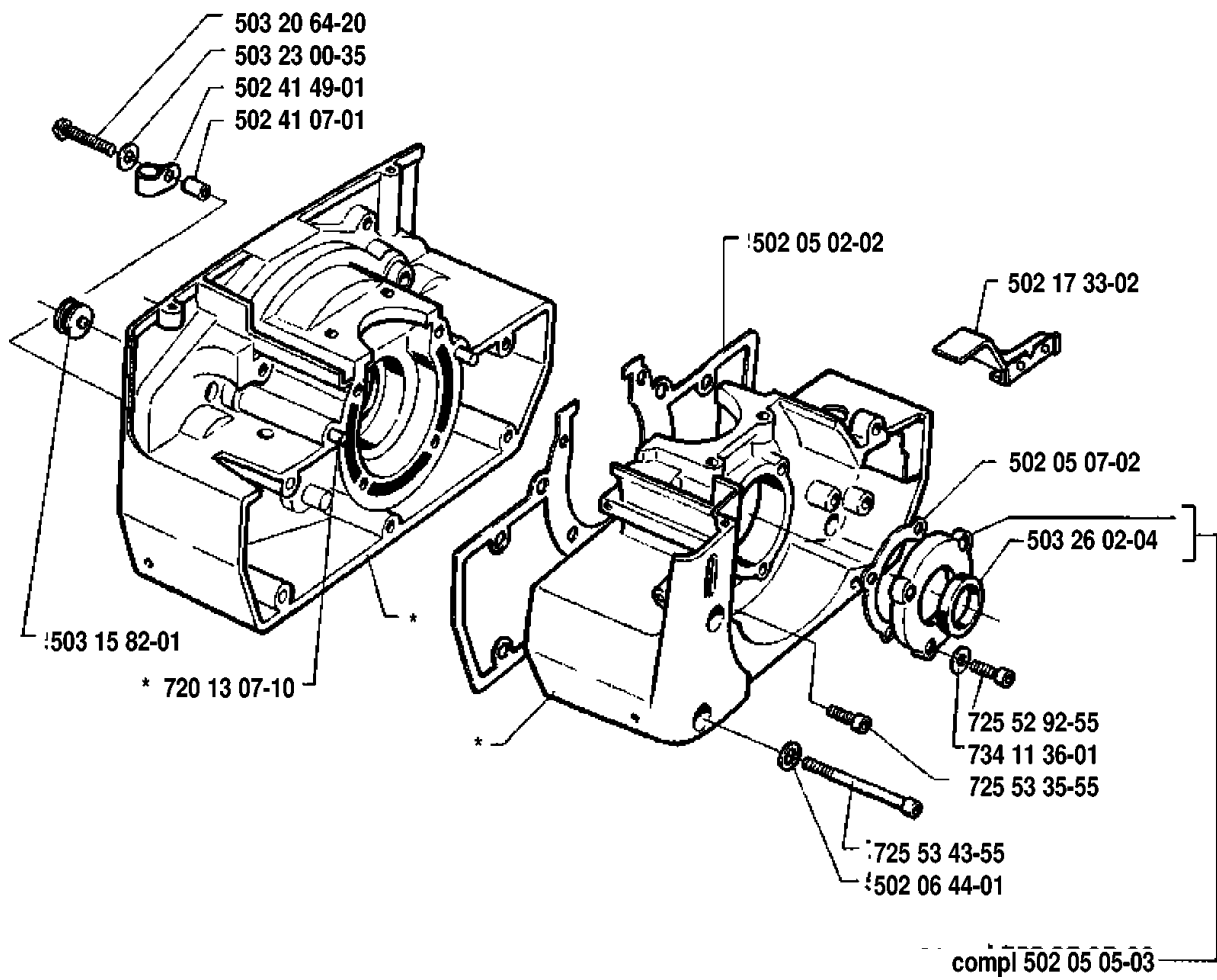
STARTER

PS50, 1991-12

Part No	Description	Remark	QTY KIT
501 46 07-02	STARTER PULLEY ASSY		1
502 00 21-04	FUEL HOSE		1
502 03 86-03	TANK CAP ASSY		1
502 17 20-02	STARTER HOUSING		1
502 17 21-01	LEDSKENA		1
502 17 28-02	KASSETT M.FJÄDER		1
502 17 81-01	FUEL TANK		1
502 26 30-01	SPARE PARTS KIT		1
502 41 14-01	BRACKET		1
502 41 14-01	BRACKET		1
502 41 22-01	CLIP		1
502 42 43-01	GASKET		1
503 20 00-02	SCREW EHHFM		1
503 20 65-16	SCREW CITXPANM		1
503 20 65-16	SCREW CITXPANM		1
503 22 65-03	SQUARE NUT		1
503 44 32-01	FUEL FILTER		1
503 54 39-01	STARTER HANDLE		1
505 30 51-25	STARTER CORD		1
725 53 29-01	SCREW IHSCM		1
729 22 23-01	SCREW		1

H

* compl 502 41 20-01



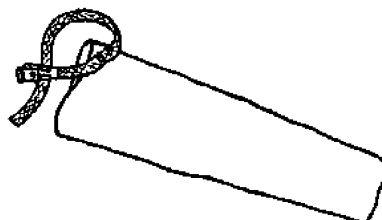
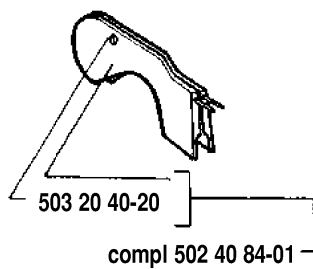
CRANKCASE

PS50, 1991-12

Part No	Description	Remark	QTY KIT
502 05 02-02	CRANKCASE		1
502 05 05-03	POSITION WASHER		1
502 05 07-02	GASKET		1
502 06 44-01	WASHER		1
502 17 33-02	BACKING PLATE		1
502 41 07-01	SLEEVE		1
502 41 20-01	CRANKCASE		1
502 41 49-01	CLIP		1
503 15 82-01	CABLE GROMMET		1
503 20 64-20	SCREW CITXPANM		1
503 23 00-35	WASHER		1
503 26 02-04	SEALING RING		1
720 13 07-10	PARALLEL PIN		1
725 52 92-55	SCREW		1
725 53 35-55	SCREW IHSCM		1
725 53 43-55	SCREW IHSCM		1
734 11 36-01	WASHER		1



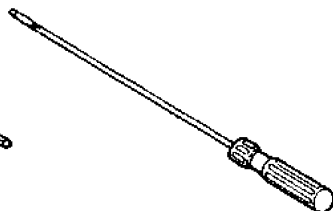
**Accessories
Zubehöre
Accessoires
Accesorios
Tillbehör**



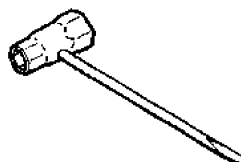
502 41 74-01



501 68 89-01



502 42 04-01



501 69 17-01



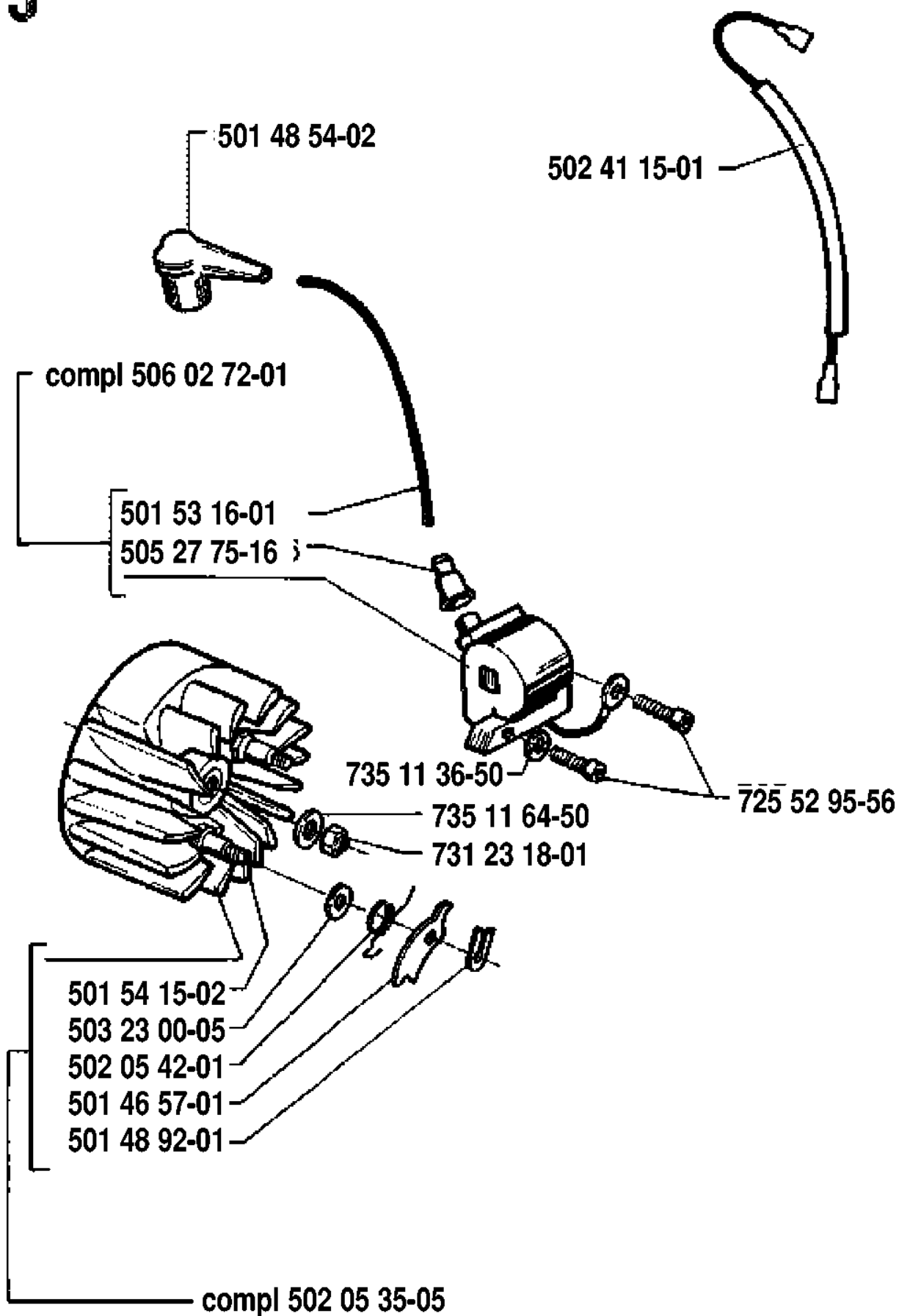
950 26 71-09

ACCESSORIES

PS50, 1991-12

Part No	Description	Remark	QTY KIT
501 68 89-01	COMBINATION WRENCH		1
501 69 17-01	COMBINATION WRENCH		1
502 40 84-01	DISTANCE		1
502 41 74-01	BAR COVER		1
502 42 04-01	SCREWDRIVER		1
503 20 40-20	SCREW SLCSFM		1
950 26 71-09	SPANNER		1

J



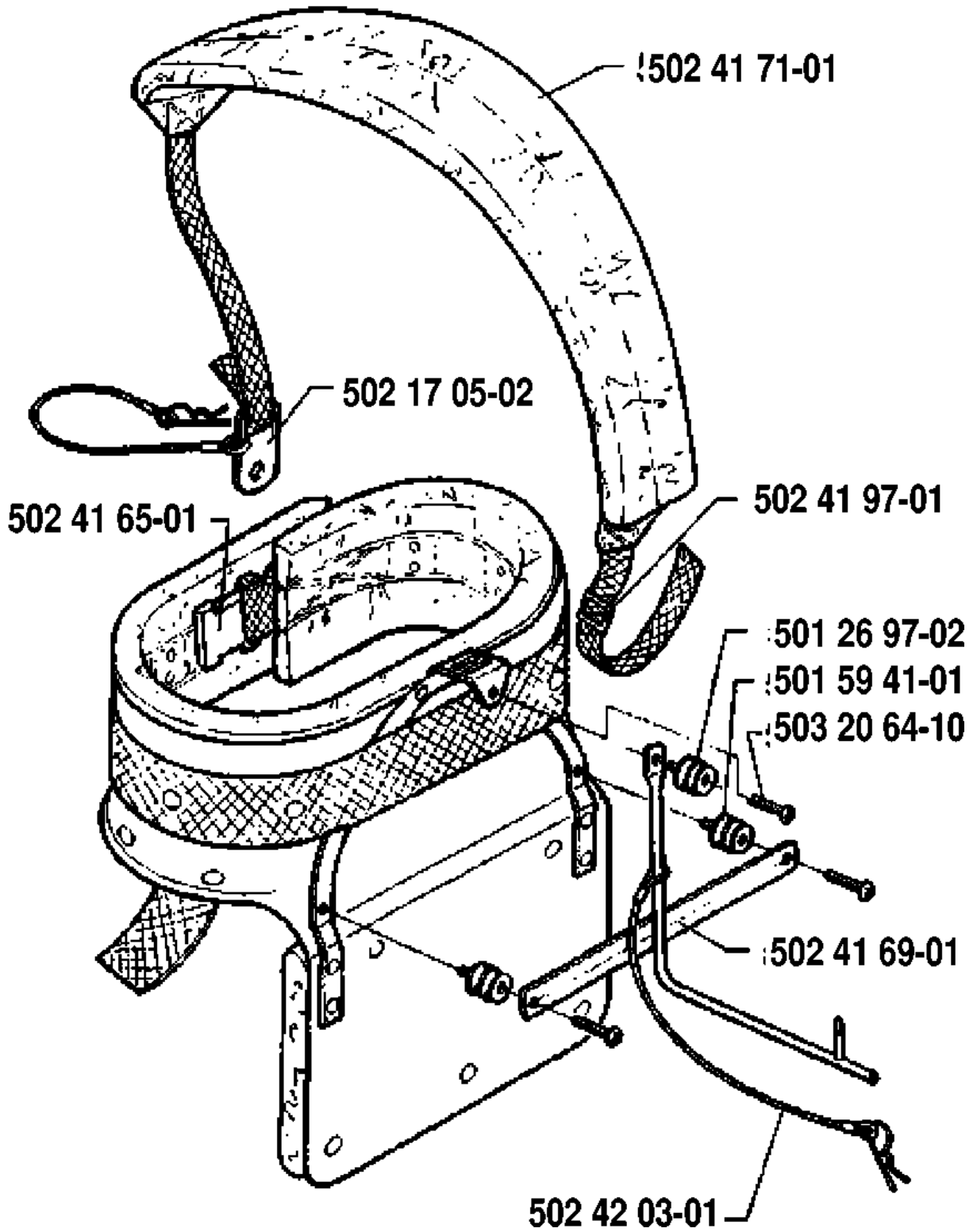
IGNITION SYSTEM

PS50, 1991-12

Part No	Description	Remark	QTY KIT
501 46 57-01	PAWL		1
501 48 54-02	SPARK PLUG CAP		1
501 48 92-01	LOCKWASHER		1
501 53 16-01	CABLE		1
501 54 15-02	DRIVE PIN		1
502 05 35-05	FLYWHEEL ASSY		1
502 05 42-01	SPRING		1
502 41 15-01	LEDNING KORTSLUTN		1
503 23 00-05	WASHER		1
505 27 75-16	CABLE SLEEVE		1
506 02 72-01	ELECTRONIC MODULE		1
725 52 95-56	SCREW IHSCM		1
731 23 18-01	HEXAGON NUT		1
735 11 36-50	SPRING WASHER		1
735 11 64-50	SPRING WASHER		1

M

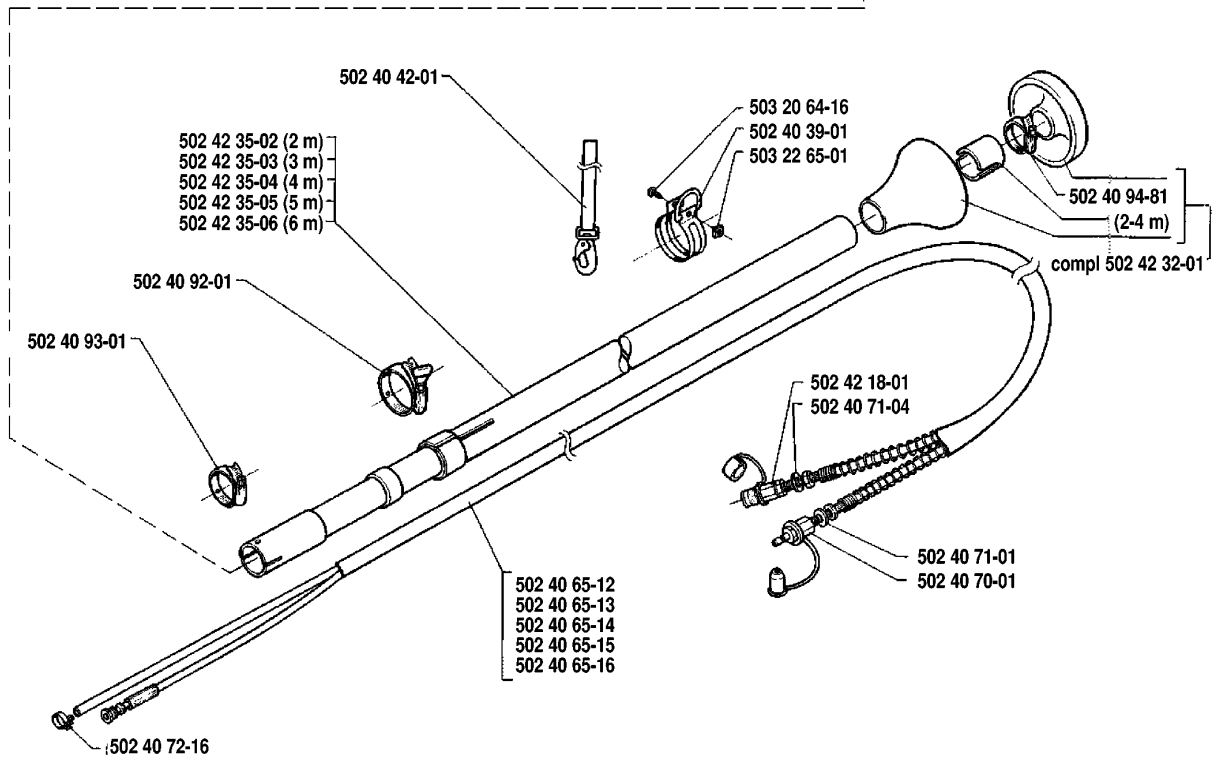
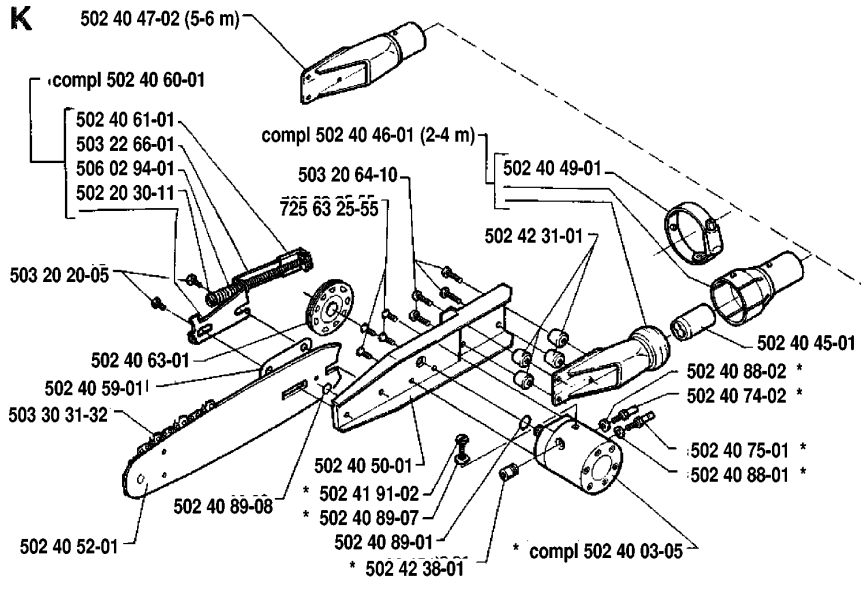
compl 502 40 05-01



HARNESS

PS50, 1991-12

Part No	Description	Remark	QTY KIT
501 26 97-02	ANTIVIBRATION ELEMENT		1
501 59 41-01	ANTIVIBRATION ELEMENT		1
502 17 05-02	BUCKLE		1
502 40 05-01	HARNESS		1
502 41 65-01	BUCKLE		1
502 41 69-01	HOOK		1
502 41 71-01	SHOULDER STRAP		1
502 41 97-01	BUCKLE		1
502 42 03-01	FUSE		1
503 20 64-10	SCREW CITXPANM		1



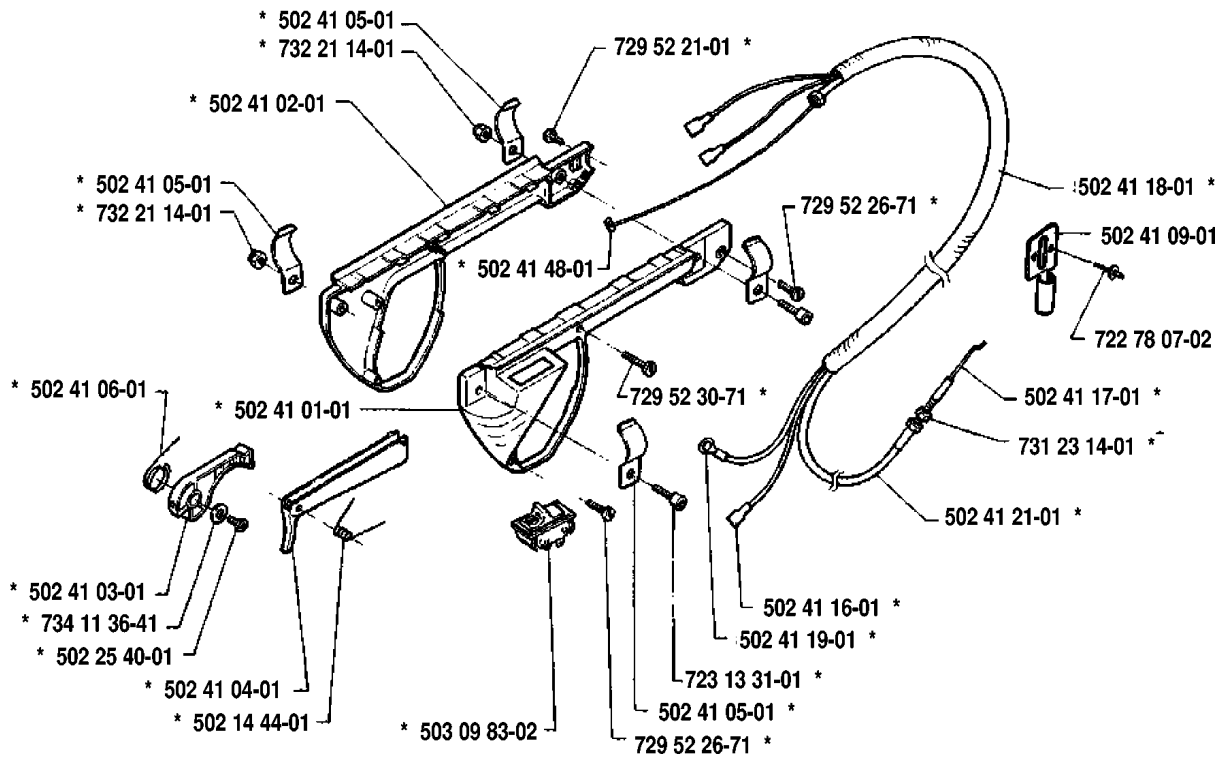
SAW HEAD

PS50, 1991-12

Part No	Description	Remark	QTY KIT
502 20 30-11	SCREW		1
502 40 03-05	HYDRAULIC MOTOR		1
502 40 39-01	LOOP		1
502 40 42-01	BELT		1
502 40 45-01	GASKET		1
502 40 46-01	BALL JOINT	2-4 M	1
502 40 47-02	BRACKET	5-6 M	1
502 40 49-01	HOSE CLAMP		1
502 40 50-01	RETAINER		1
502 40 52-01	BAR		1
502 40 59-01	GASKET		1
502 40 60-01	CHAIN TENSIONER		1
502 40 61-01	RETAINER		1
502 40 63-01	GEAR WHEEL		1
502 40 65-12	HOSE ASSY		1
502 40 65-13	HOSE ASSY		1
502 40 65-14	HOSE ASSY		1
502 40 65-15	HOSE ASSY		1
502 40 65-16	HOSE ASSY		1
502 40 70-01	NIPPLE		1
502 40 71-01	WASHER		1
502 40 71-04	WASHER		1
502 40 72-16	HOSE CLAMP		1
502 40 74-02	HOSE NIPPLE		1
502 40 75-01	NIPPLE		1
502 40 88-01	WASHER		1
502 40 88-02	WASHER		1
502 40 89-01	O-RING		1
502 40 89-07	O-RING		1
502 40 89-08	O-RING		1
502 40 92-01	HOSE CLAMP		1
502 40 93-01	HOSE CLAMP		1
502 40 94-81	HOSE CLAMP	2-4 M	1
502 41 91-02	ADJUSTER		1
502 42 18-01	CLUTCH		1
502 42 31-01	ANTIVIBRATION ELEMENT		1
502 42 32-01	PROTECTIVE HOOD		1
502 42 35-02	SHAFT	2 M	1
502 42 35-03	SHAFT	3 M	1
502 42 35-04	SHAFT	4 M	1
502 42 35-05	SHAFT	5 M	1
502 42 35-06	SHAFT	6 M	1
502 42 38-01	VALVE ASSY		1
503 20 20-05	SCREW IHSCM		1
503 20 64-10	SCREW CITXPANM		1
503 20 64-16	SCREW CITXPANM		1
503 22 65-01	SQUARE NUT		1
503 22 66-01	SQUARE NUT		1
503 30 31-32	SAW CHAIN		1
506 02 94-01	SPRING		1
725 63 25-55	SCREW IHCSFM		1



* compl 502 41 00-01



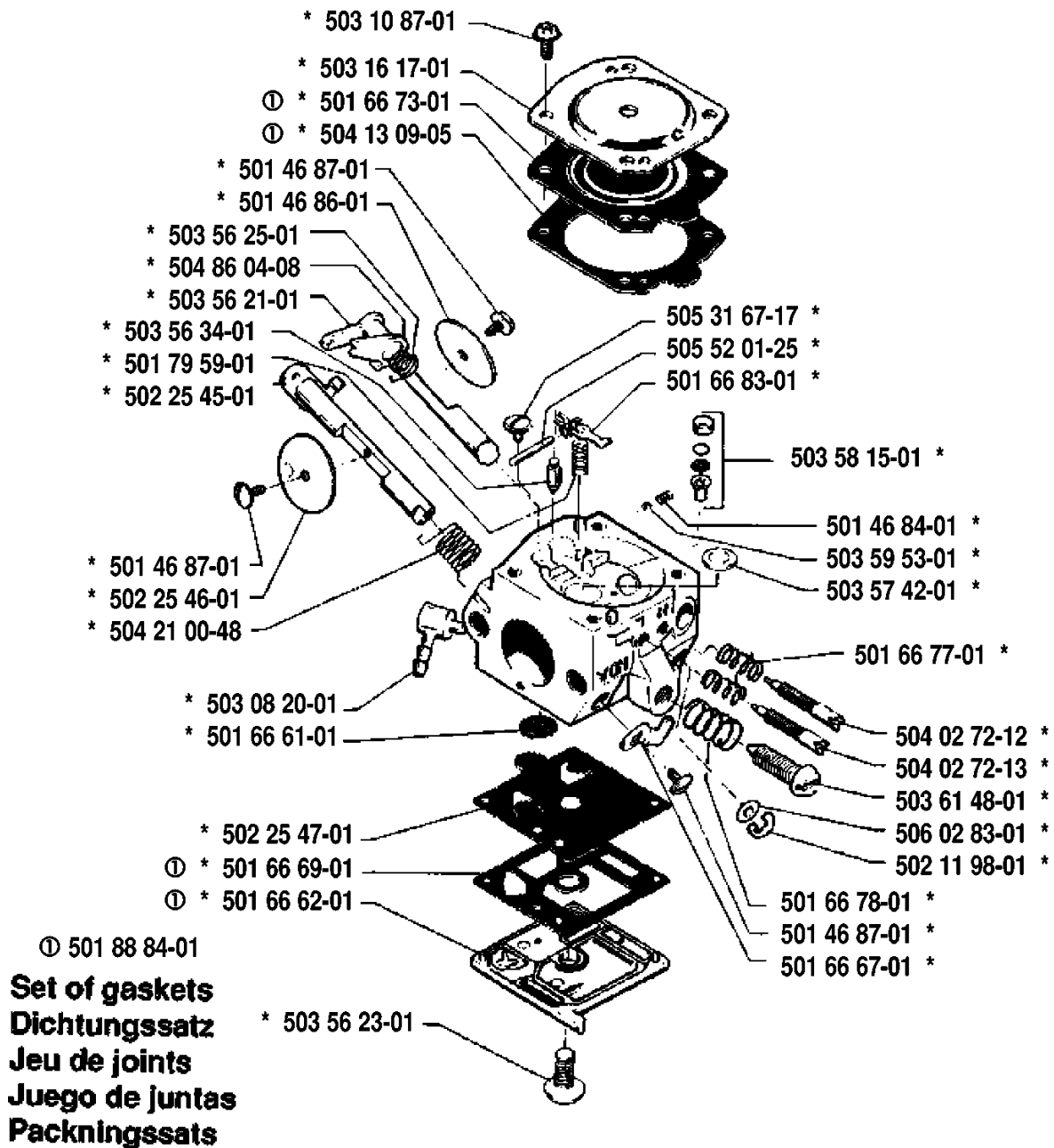
HANDLE & CONTROLS

PS50, 1991-12

Part No	Description	Remark	QTY KIT
502 14 44-01	SPRING		1
502 25 40-01	SCREW SLPANT		1
502 41 00-01	THROTTLE HANDLE ASSY		1
502 41 01-01	HANDLE HALF		1
502 41 02-01	HANDLE HALF		1
502 41 03-01	THROTTLE TRIGGER		1
502 41 04-01	LOCK		1
502 41 05-01	STAPLE		1
502 41 05-01	STAPLE		1
502 41 05-01	STAPLE		1
502 41 06-01	RECOIL SPRING		1
502 41 09-01	BRACKET		1
502 41 16-01	CABLE		1
502 41 17-01	THROTTLE WIRE ASSY		1
502 41 18-01	PROTECTIVE HOSE		1
502 41 19-01	CABLE		1
502 41 21-01	WIRE HOUSING		1
502 41 48-01	NIPPLE		1
503 09 83-02	STOP SWITCH		1
722 78 07-02	BLIND RIVET		1
723 13 31-01	SCREW SLCHM		1
729 52 21-01	SCREW CRPANT		1
729 52 26-71	SCREW CRPANT		1
729 52 26-71	SCREW CRPANT		1
729 52 30-71	SCREW CRPANT		1
731 23 14-01	HEXAGON NUT		1
732 21 14-01	LOCK NUT		1
732 21 14-01	LOCK NUT		1
734 11 36-41	WASHER		1

N * compl 503 28 10-16

Walbro HDA-86 A



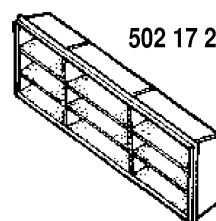
CARBURETOR DETAILS

PS50, 1991-12

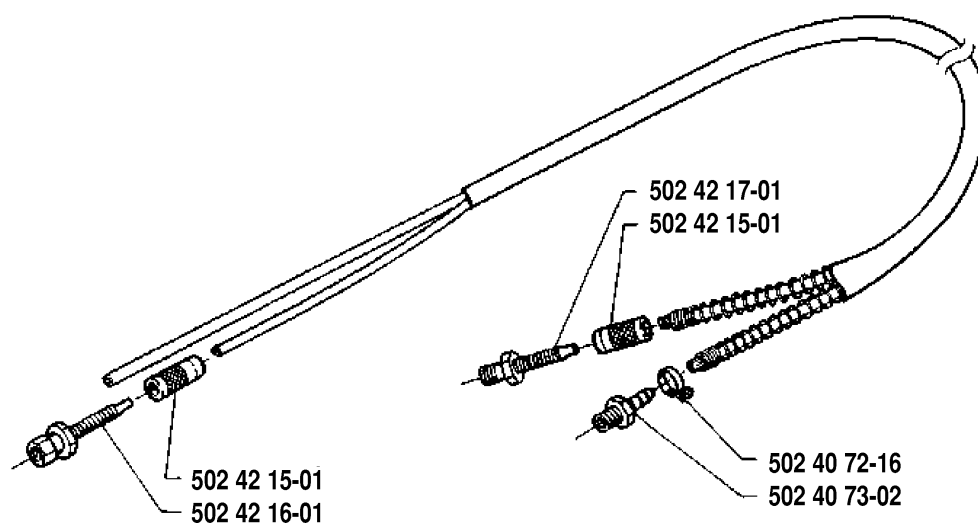
Part No	Description	Remark	QTY KIT
501 46 84-01	SPRING		1
501 46 86-01	VALVE		1
501 46 87-01	SCREW		1
501 46 87-01	SCREW		1
501 46 87-01	SCREW		1
501 66 61-01	SCREEN		1
501 66 62-01	COVER	501 88 84-01 SET OF GASKETS	1
501 66 67-01	STOP-THROTTLE		1
501 66 69-01	GASKET	501 88 84-01 SET OF GASKETS	1
501 66 73-01	GASKET KIT	501 88 84-01 SET OF GASKETS	1
501 66 77-01	SPRING		1
501 66 78-01	SPRING		1
501 66 83-01	LEVER		1
501 79 59-01	SPRING		1
502 11 98-01	CIRCLIP		1
502 25 45-01	SHAFT ASS THROTTLE		1
502 25 46-01	VALVE		1
502 25 47-01	DIAPHRAGM PUMP		1
503 08 20-01	FITTING		1
503 10 87-01	SCREW		1
503 16 17-01	COVER		1
503 28 10-16	CARBURETTOR		1
503 56 21-01	SHAFT ASSY		1
503 56 23-01	SCREW		1
503 56 25-01	SPRING		1
503 56 34-01	NEEDLE VALVE		1
503 57 42-01	PLUG		1
503 58 15-01	NOZZLE ASSY		1
503 59 53-01	CYLINDER COVER ASSY		1
503 61 48-01	SCREW		1
504 02 72-12	NEEDLE-HIGH SPEED		1
504 02 72-13	NEEDLE-IDLE SPEED		1
504 13 09-05	GASKET	501 88 84-01 SET OF GASKETS	1
504 21 00-48	SPRING		1
504 86 04-08	LEVER		1
505 31 67-17	SCREW		1
505 52 01-25	PIN		1
506 02 83-01	WASHER		1

P

Delivery as spare part only
Nur als Ersatzteil lieferbar
Livable seulement comme pièce de rechange
Solo como repuesto
Leveras endast som reservdel



502 17 25-02 (Non Woven)



ACCESSORIES

PS50, 1991-12

Part No	Description	Remark	QTY KIT
502 17 25-02	AIR FILTER ASSY	NON WOVEN	1
502 40 72-16	HOSE CLAMP		1
502 40 73-02	HOSE NIPPLE		1
502 42 15-01	SLEEVE		1
502 42 15-01	SLEEVE		1
502 42 16-01	CLUTCH		1
502 42 17-01	KOPPLING SKRUV		1