

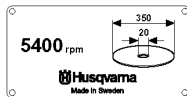
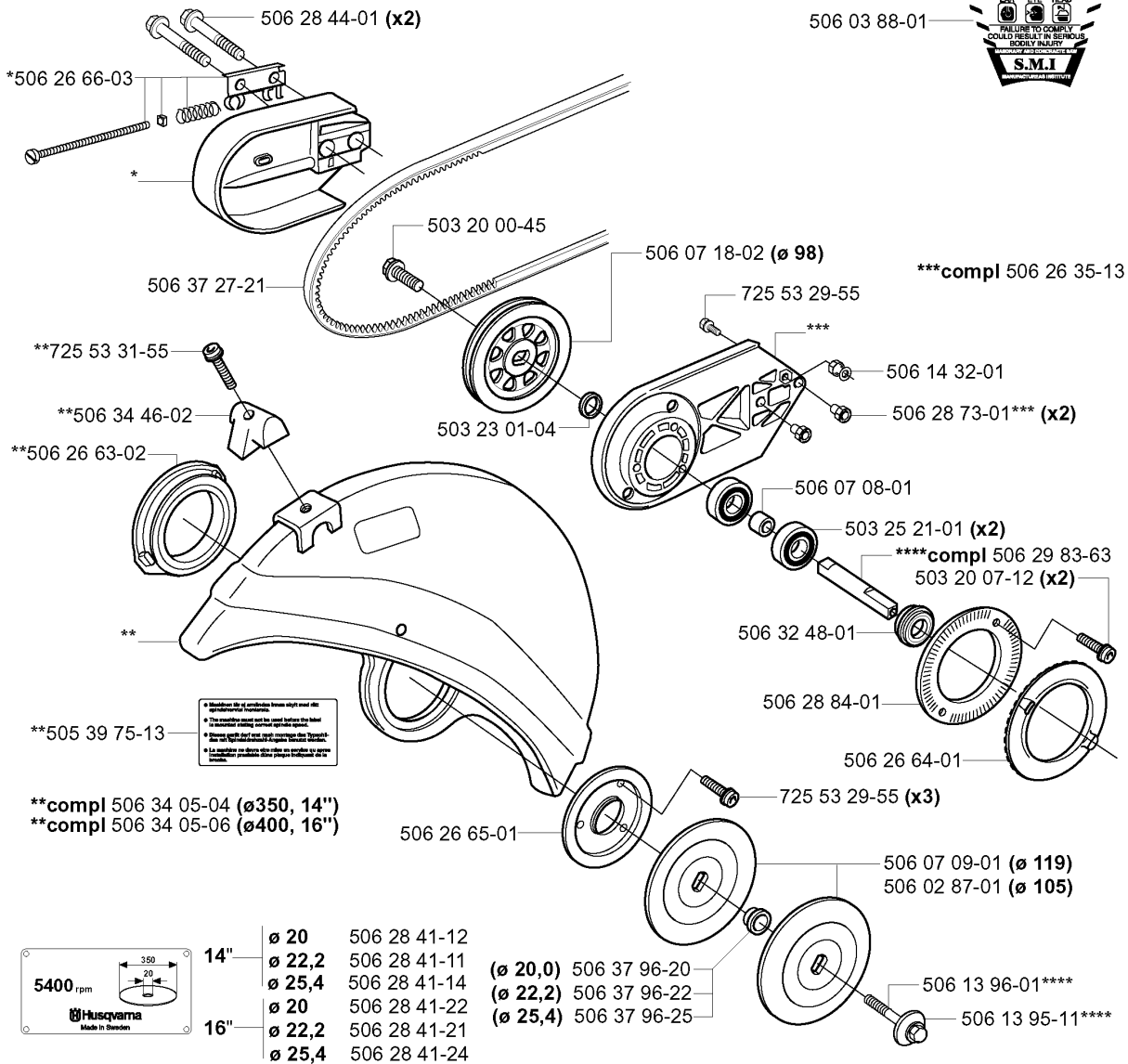


# SPARE PARTS LIST

POWER CUTTERS

3120K EPA, 2005-05

**A** \*compl 506 27 92-02



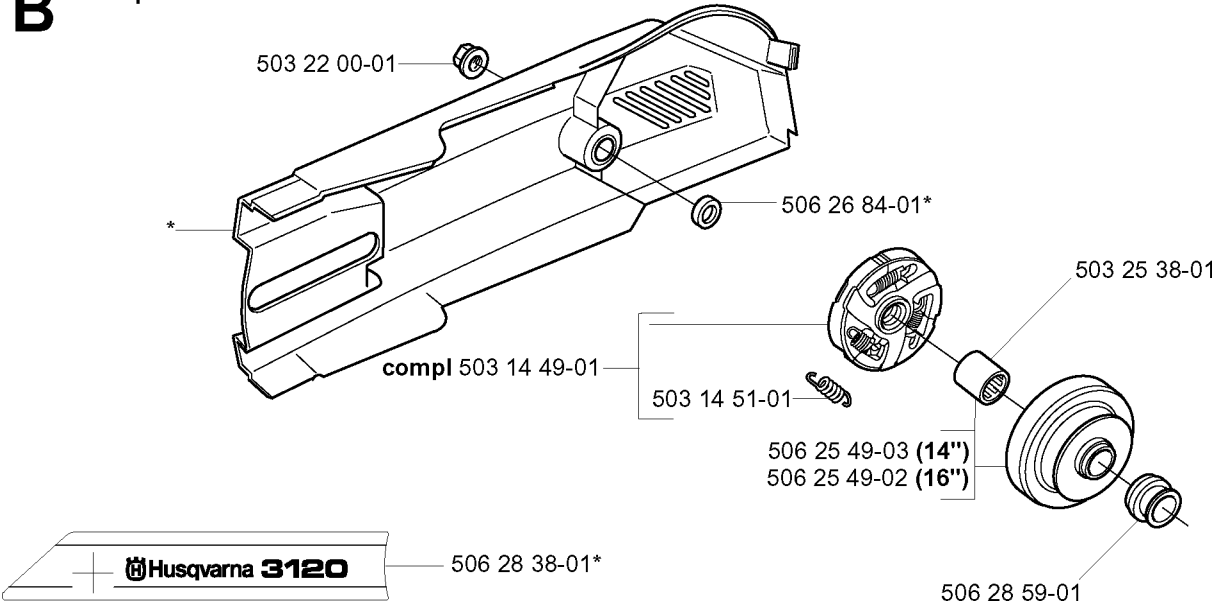
14"	ø 20	506 28 41-12
	ø 22,2	506 28 41-11
	ø 25,4	506 28 41-14
16"	ø 20	506 28 41-22
	ø 22,2	506 28 41-21
	ø 25,4	506 28 41-24

## CUTTING ARM &amp; BLADE GUARD

3120K EPA, 2005-05

Part No	Description	Remark	QTY KIT
503 20 00-45	SCREW EHHFM		1
503 20 07-12	SCREW IHSCFM		2
503 23 01-04	WASHER		1
503 25 21-01	BALL BEARING		2
505 39 75-13	LABEL		1
506 02 87-01	FLANGE WASHER	DIA. 105	1
506 03 88-01	LABEL		1
506 07 08-01	SPACING SLEEVE		1
506 07 09-01	FLANGE WASHER	DIA. 119	1
506 07 18-02	PULLEY	DIA. 98	1
506 13 95-11	WASHER		1
506 13 96-01	SCREW EHHFM		1
506 14 32-01	NUT CAP		1
506 26 35-13	BEARING HOUSING		1
506 26 63-02	LINING		1
506 26 64-01	SCREEN		1
506 26 65-01	FLANGE		1
506 26 66-03	BELT TENSIONER ASSY		1
506 27 92-02	BELT GUARD		1
506 28 41-11	LABEL	14 DIA. 22,2	1
506 28 41-12	LABEL	14 DIA. 20	1
506 28 41-14	LABEL	14 DIA. 25,4	1
506 28 41-21	LABEL	16 DIA. 22,2	1
506 28 41-22	LABEL	16 DIA. 20	1
506 28 41-24	LABEL	16 DIA. 25,4	1
506 28 44-01	SCREW EHHFM		2
506 28 73-01	NUT		2
506 28 84-01	SCREEN		1
506 29 83-63	SHAFT		1
506 32 48-01	SUPPORT FLANGE		1
506 34 05-04	WHEEL GUARD	DIA.350, 14	1
506 34 05-06	GUARD	DIA.400, 16	1
506 34 46-02	HANDLE		1
506 37 27-21	BELT		1
506 37 96-20	KIT	DIA. 20,0	1
506 37 96-22	KIT	DIA. 22,2	1
506 37 96-25	KIT	DIA. 25,4	1
725 53 29-55	SCREW IHSCM		3
725 53 29-55	SCREW IHSCM		1
725 53 31-55	SCREW IHSCM		1

**B** \*compl 506 27 17-02

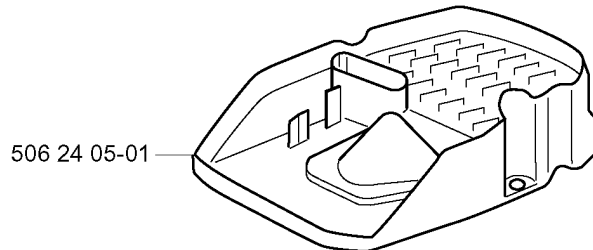
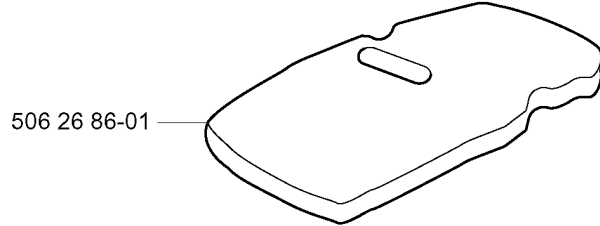
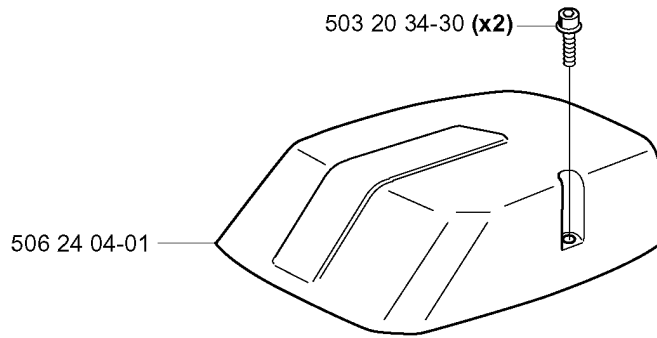


## CLUTCH

3120K EPA, 2005-05

Part No	Description	Remark	QTY KIT
503 14 49-01	CLUTCH ASSY		1
503 14 51-01	CLUTCH SPRING		1
503 22 00-01	HEXAGON NUT		1
503 25 38-01	NEEDLE BEARING		1
506 25 49-02	GEAR WHEEL ASSY	16	1
506 25 49-03	GEAR WHEEL ASSY	14	1
506 26 84-01	SPACING SLEEVE		1
506 27 17-02	BELT GUARD		1
506 28 38-01	LABEL		1
506 28 59-01	SPACING SLEEVE		1

# C



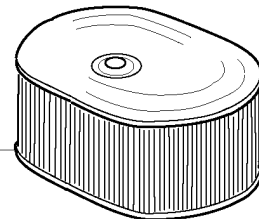
### WARNING

Cutters can be dangerous!

- For safe operation follow all safety precautions in operator's manual.
- Only trained and qualified personnel shall operate this cutter.
  - Only use high speed reinforced wheels approved for free hand cutting and for the maximum speed rating of cutter.
  - Before each use, check wheel and guard for any damage.
  - Use ear, eye, head and hand protectors, protective clothing and protective footwear.
  - Keep all bystanders well away from the operating area.
  - Adjust guard to keep rear section in close workplace contact.

IMPORTANT ENGINE INFORMATION Husqvarna 3120K 110cc 2100W 1100RPM  
 HUSQVARNA AB HUSQVARNA, SWEDEN  
 THIS ENGINE CONFORMS TO U.S. EPA PM EMISSIONS REGULATION FOR SMALL HIGHWAY ENGINES.  
 REFER TO OPERATOR'S MANUAL FOR MAINTENANCE SPECIFICATIONS AND ADJUSTMENTS.

506 28 71-11 EPA USA

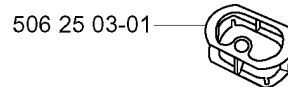
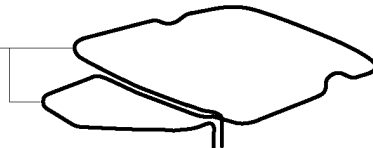


CE PC GB N1485  
 ДИРС

## Husqvarna

506 28 71-12 CE

\*506 28 39-30



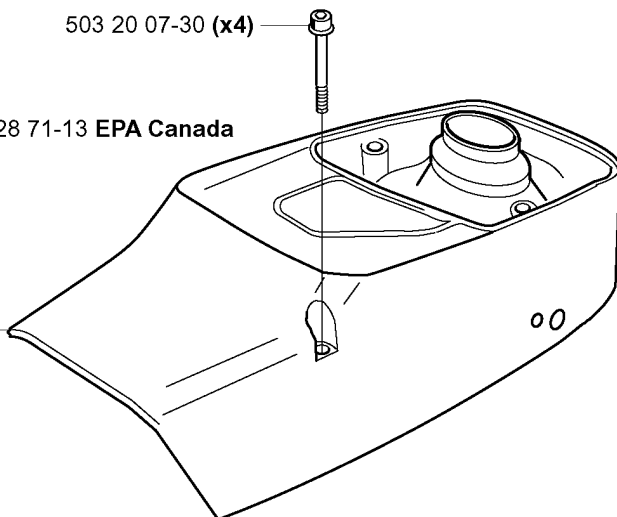
IMPORTANT ENGINE INFORMATION Husqvarna 3120K 110cc 2100W 1100RPM  
 HUSQVARNA AB HUSQVARNA, SWEDEN  
 THIS ENGINE CONFORMS TO U.S. EPA PM EMISSIONS REGULATION FOR SMALL HIGHWAY ENGINES.  
 REFER TO OPERATOR'S MANUAL FOR MAINTENANCE SPECIFICATIONS AND ADJUSTMENTS.

## Husqvarna

506 28 71-13 EPA Canada

503 20 07-30 (x4)

\*compl 506 27 53-01



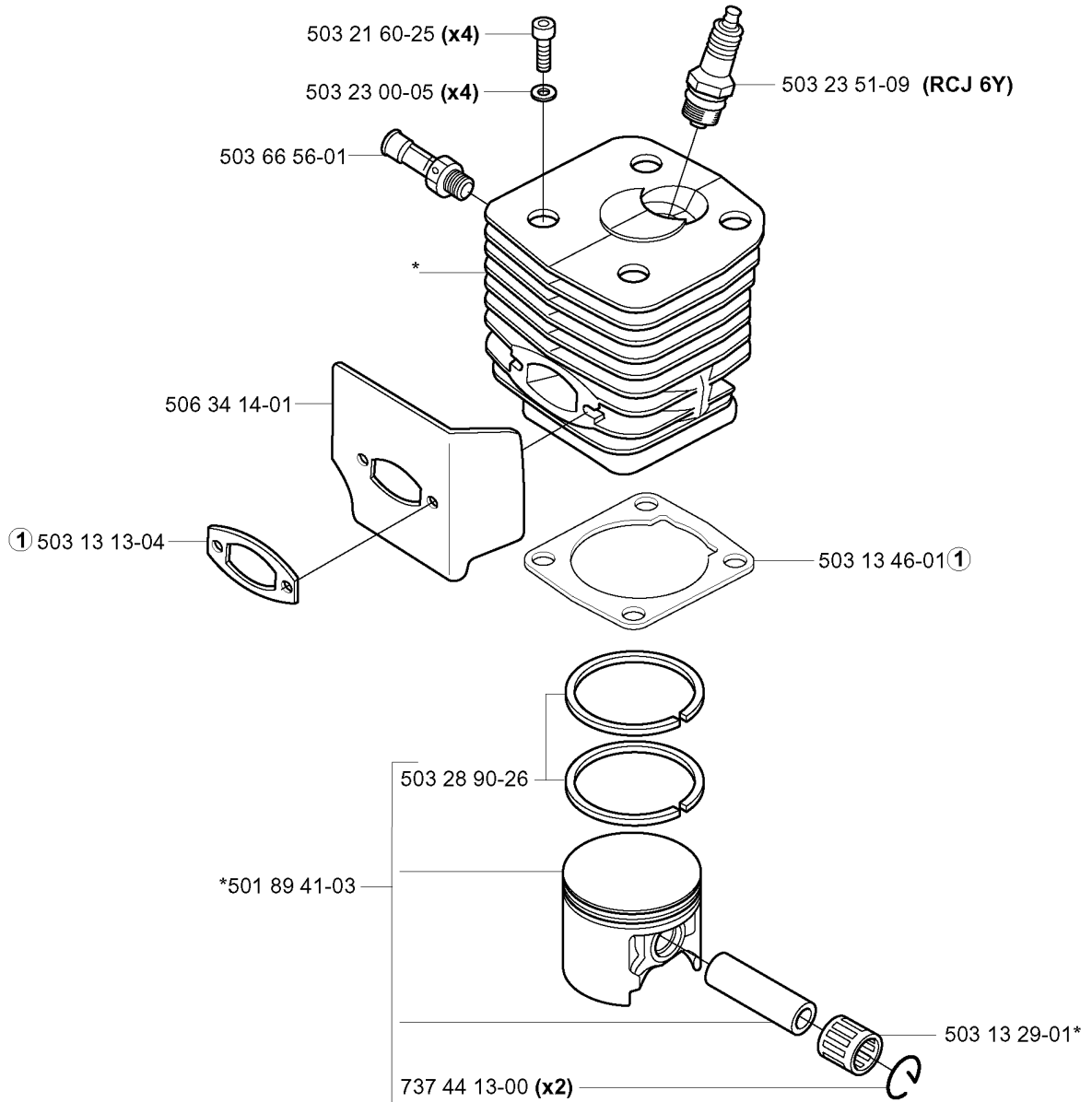
## AIR FILTER

3120K EPA, 2005-05

Part No	Description	Remark	QTY KIT
503 20 07-30	SCREW IHSCFM		4
503 20 34-30	SCREW		2
506 24 04-01	FILTER COVER		1
506 24 05-01	FILTER BOTTOM		1
506 24 98-01	AIR FILTER		1
506 25 03-01	INSERT		1
506 26 86-01	PREFILTER		1
506 27 53-01	CYLINDER COVER		1
506 28 39-30	SEALING		1
506 28 71-11	LABEL	EPA USA	1
506 28 71-12	LABEL	CE	1
506 28 71-13	LABEL	EPA CANADA	1

**D** \*compl 506 29 42-71

① Gasket set 506 29 24-02





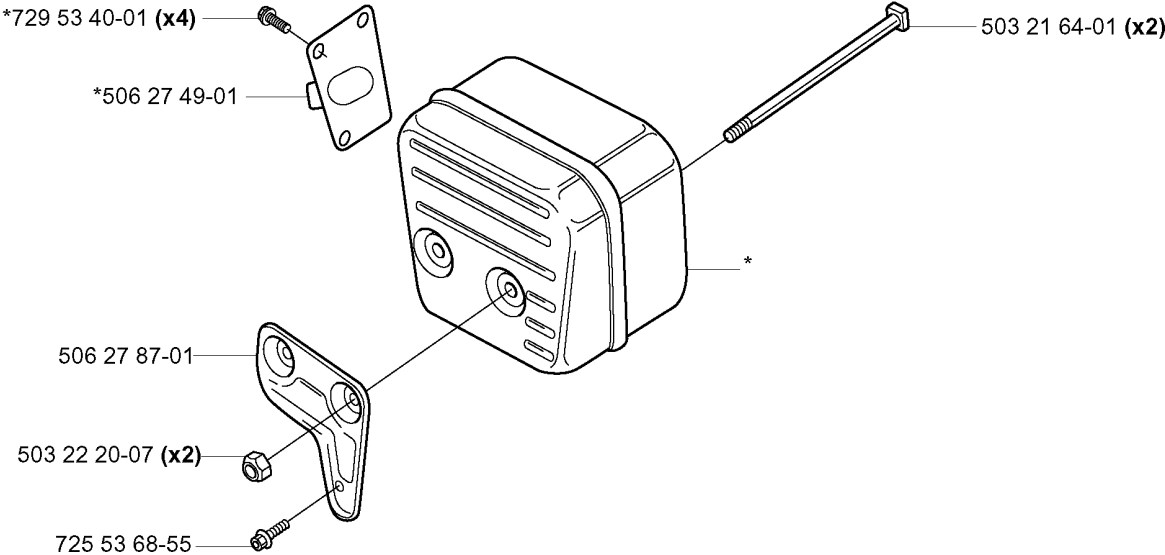
## CYLINDER PISTON

3120K EPA, 2005-05

Part No	Description	Remark	QTY KIT
501 89 41-03	PISTON ASSY		1
503 13 13-04	GASKET	GASKET SET 506 29 24-02	1
503 13 29-01	NEEDLE HOLDER		1
503 13 46-01	GASKET	GASKET SET 506 29 24-02	1
503 21 60-25	SCREW		4
503 23 00-05	WASHER		4
503 23 51-09	SPARK PLUG	RCJ 6Y	1
503 28 90-26	PISTON RING		1
503 66 56-01	DECOMPRESSION VALVE		1
506 29 42-71	CYLINDER ASSY		1
506 34 14-01	COOLING AIR CONDUCTOR		1
737 44 13-00	CIRCLIP		2

**E**

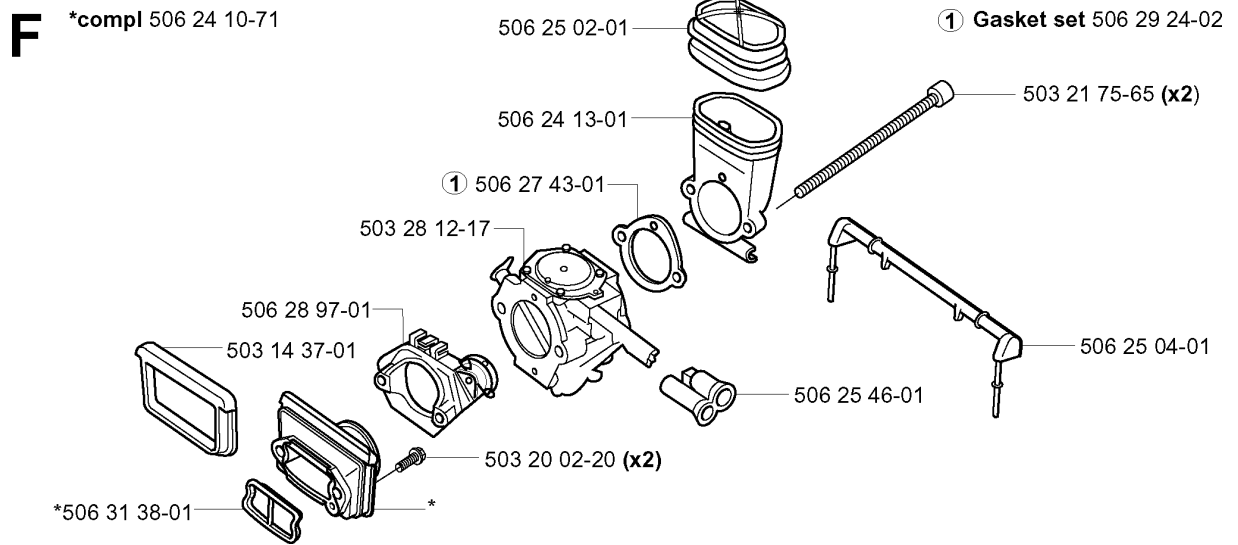
\*compl 503 13 00-02



## MUFFLER

3120K EPA, 2005-05

Part No	Description	Remark	QTY KIT
503 13 00-02	MUFFLER ASSY		1
503 21 64-01	SCREW		2
503 22 20-07	LOCK NUT		2
506 27 49-01	EXHAUST DUCT		1
506 27 87-01	SUPPORT		1
725 53 68-55	SCREW IHSCM		1
729 53 40-01	SCREW CCRPANT		4

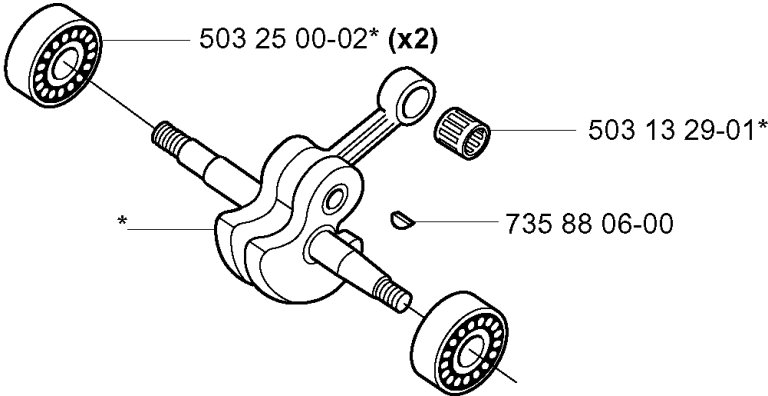


## CARBURETOR

3120K EPA, 2005-05

Part No	Description	Remark	QTY KIT
503 14 37-01	SEALING		1
503 20 02-20	SCREW IHSCFM		2
503 21 75-65	SCREW IHSCFT		2
503 28 12-17	CARBURETTOR		1
506 24 10-71	INLET PIPE		1
506 24 13-01	INLET BEND		1
506 25 02-01	BELLOWS		1
506 25 04-01	SUPPORT		1
506 25 46-01	CHISEL GUIDE		1
506 27 43-01	GASKET	GASKET SET 506 29 24-02	1
506 28 97-01	FLANGE		1
506 31 38-01	INSERT		1

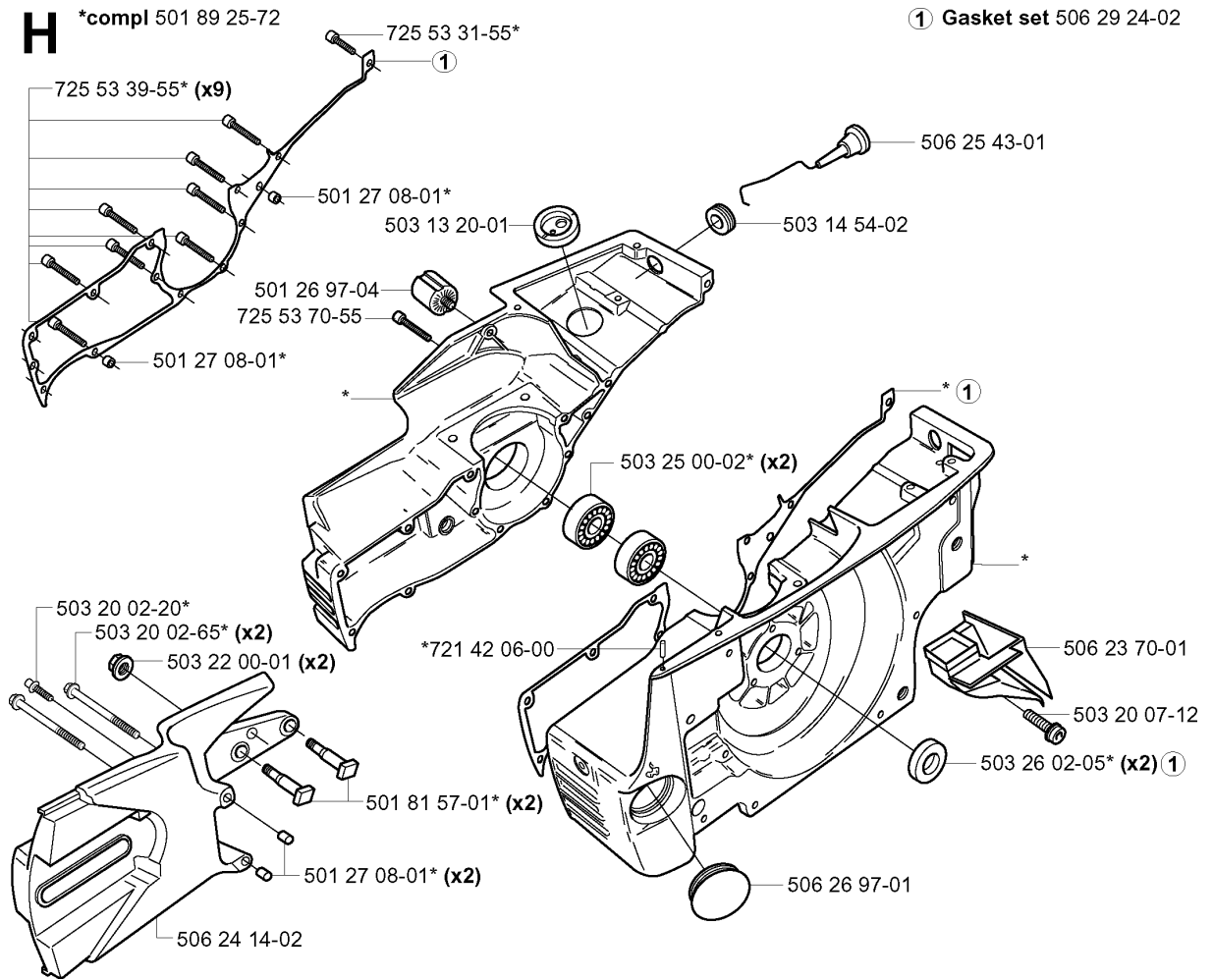
**G** \*compl 503 14 20-73



CRANKSHAFT

3120K EPA, 2005-05

Part No	Description	Remark	QTY KIT
503 13 29-01	NEEDLE HOLDER		1
503 14 20-73	CRANKSHAFT ASSY		1
503 25 00-02	BALL BEARING		2
735 88 06-00	WOODRUFF KEY		1



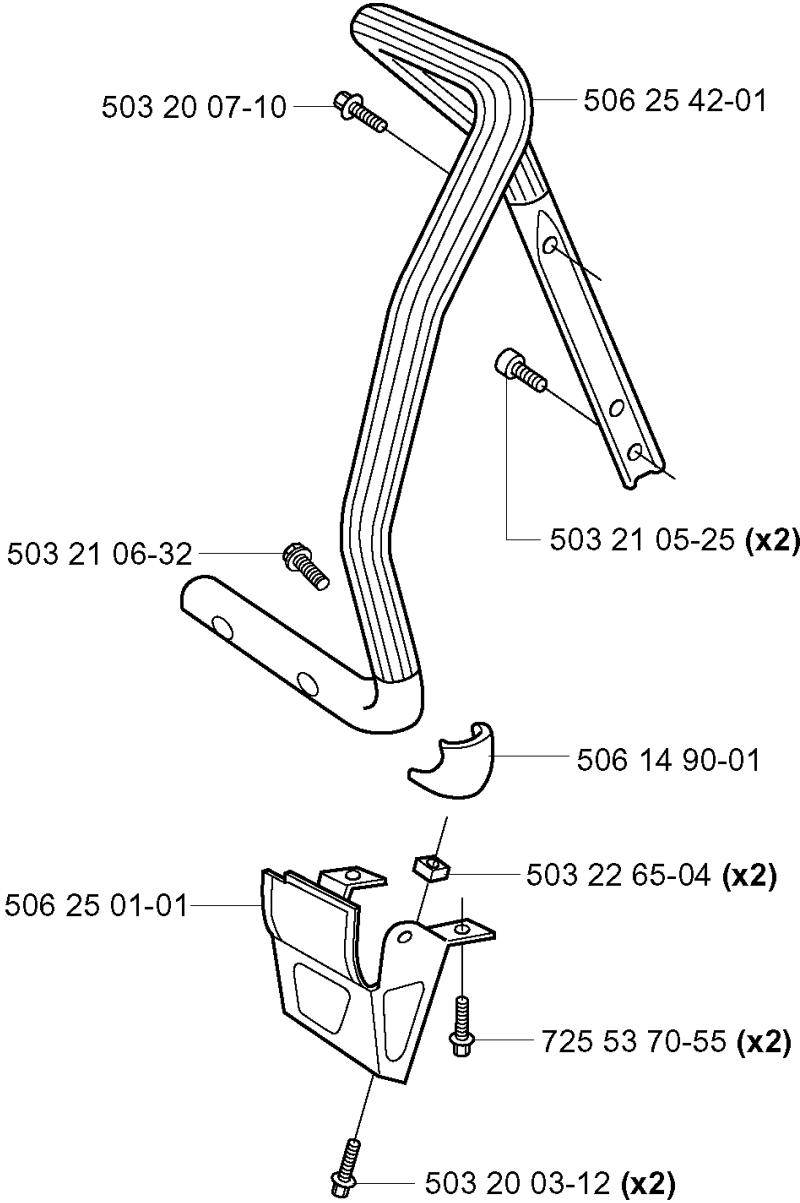


## CRANKCASE

3120K EPA, 2005-05

Part No	Description	Remark	QTY KIT
501 26 97-04	ANTIVIBRATION ELEMENT		1
501 27 08-01	GUIDE BUSHING		1
501 27 08-01	GUIDE BUSHING		1
501 27 08-01	GUIDE BUSHING		2
501 81 57-01	BAR BOLT		2
501 89 25-72	CRANKCASE		1
503 13 20-01	GROMMET		1
503 14 54-02	GROMMET		1
503 20 02-20	SCREW IHSCFM		1
503 20 02-65	SCREW IHSCFM		2
503 20 07-12	SCREW IHSCFM		1
503 22 00-01	HEXAGON NUT		2
503 25 00-02	BALL BEARING		2
503 26 02-05	SEALING RING	GASKET SET 506 29 24-02	2
506 23 70-01	AIR NOZZLE		1
506 24 14-02	CUTTER ARM		1
506 25 43-01	CHOKE CONTROL		1
506 26 97-01	PLUG		1
721 42 06-00	SPRING PIN		1
725 53 31-55	SCREW IHSCM	GASKET SET 506 29 24-02	1
725 53 39-55	SCREW IHSCM		9
725 53 70-55	SCREW IHSCM		1

J

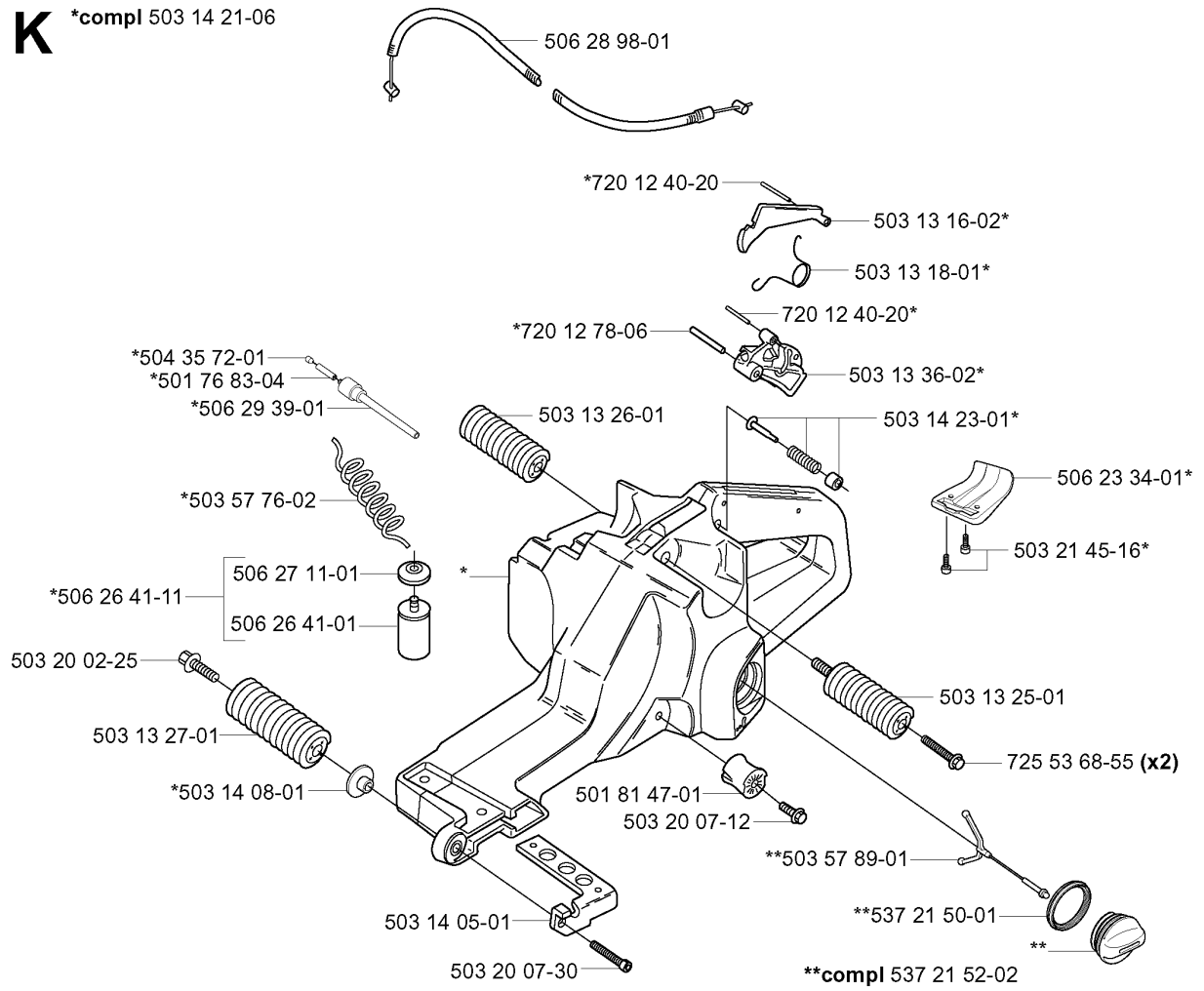


## HANDLE

3120K EPA, 2005-05

Part No	Description	Remark	QTY KIT
503 20 03-12	SCREW IHSCFM		2
503 20 07-10	SCREW IHSCFM		1
503 21 05-25	SCREW IHSCF		2
503 21 06-32	SCREW IHSCF		1
503 22 65-04	SQUARE NUT		2
506 14 90-01	SUPPORT		1
506 25 01-01	GROUND SUPPORT		1
506 25 42-01	HANDLE		1
725 53 70-55	SCREW IHSCM		2

**K** \*compl 503 14 21-06

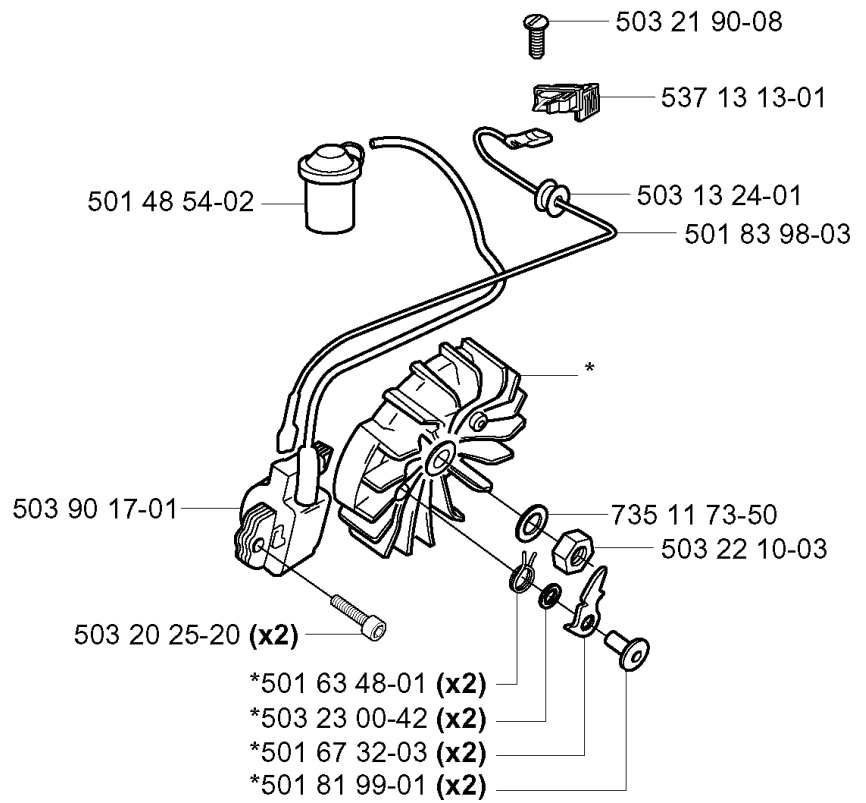


## FUEL TANK

3120K EPA, 2005-05

Part No	Description	Remark	QTY KIT
501 76 83-04	FUEL HOSE		1
501 81 47-01	ANTIVIBRATION ELEMENT		1
503 13 16-02	THROTTLE LOCKOUT		1
503 13 18-01	SPRING		1
503 13 25-01	ANTIVIBRATION ELEMENT		1
503 13 26-01	ANTIVIBRATION ELEMENT		1
503 13 27-01	ANTIVIBRATION ELEMENT		1
503 13 36-02	THROTTLE CONTROL ASSY		1
503 14 05-01	BRACKET		1
503 14 08-01	BUSHING		1
503 14 21-06	TANK UNIT ASSY		1
503 14 23-01	PIN		1
503 20 02-25	SCREW IHSCFM		1
503 20 07-12	SCREW IHSCFM		1
503 20 07-30	SCREW IHSCFM		1
503 21 45-16	SCREW CRCSFT		1
503 57 76-02	FUEL HOSE		1
503 57 89-01	HOLDER		1
504 35 72-01	PLUG		1
506 23 34-01	SUPPORT		1
506 26 41-01	FUEL FILTER		1
506 26 41-11	FUEL FILTER		1
506 27 11-01	HOSE CLAMP		1
506 28 98-01	THROTTLE CABLE ASSY		1
506 29 39-01	TANK VENT		1
537 21 50-01	SEALING		1
537 21 52-02	TANK CAP ASSY		1
720 12 40-20	PARALLEL PIN		1
720 12 40-20	PARALLEL PIN		1
720 12 78-06	PARALLEL PIN		1
725 53 68-55	SCREW IHSCM		2

**L** \*compl 501 89 50-03

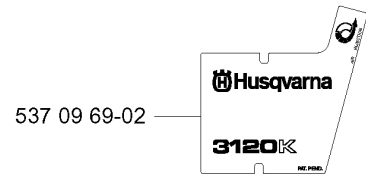
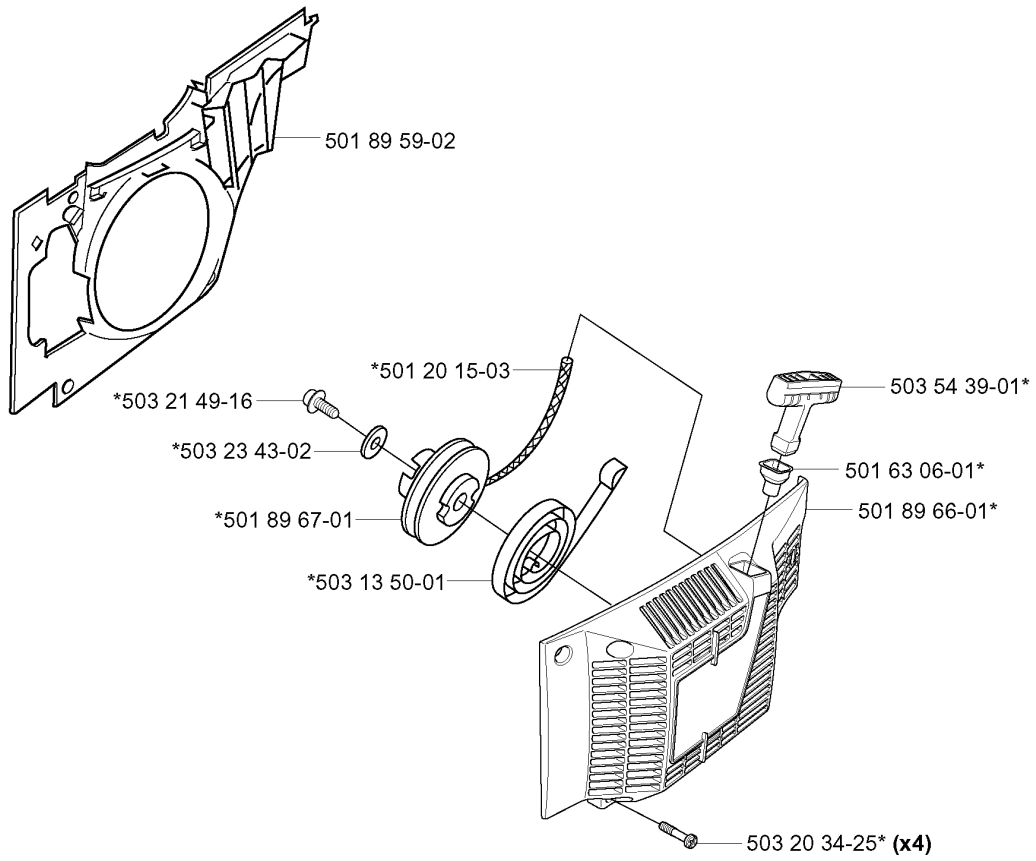


## IGNITION SYSTEM

3120K EPA, 2005-05

Part No	Description	Remark	QTY KIT
501 48 54-02	SPARK PLUG CAP		1
501 63 48-01	SPRING		2
501 67 32-03	PAWL		2
501 81 99-01	SCREW		2
501 83 98-03	CABLE		1
501 89 50-03	FLYWHEEL ASSY		1
503 13 24-01	CABLE GROMMET		1
503 20 25-20	SCREW IHSCM		2
503 21 90-08	SCREW CCRPANM		1
503 22 10-03	HEXAGON NUT		1
503 23 00-42	WASHER		2
503 90 17-01	ELECTRONIC MODULE		1
537 13 13-01	STOP SWITCH		1
735 11 73-50	SPRING WASHER		1

**M** \*compl 501 89 65-02





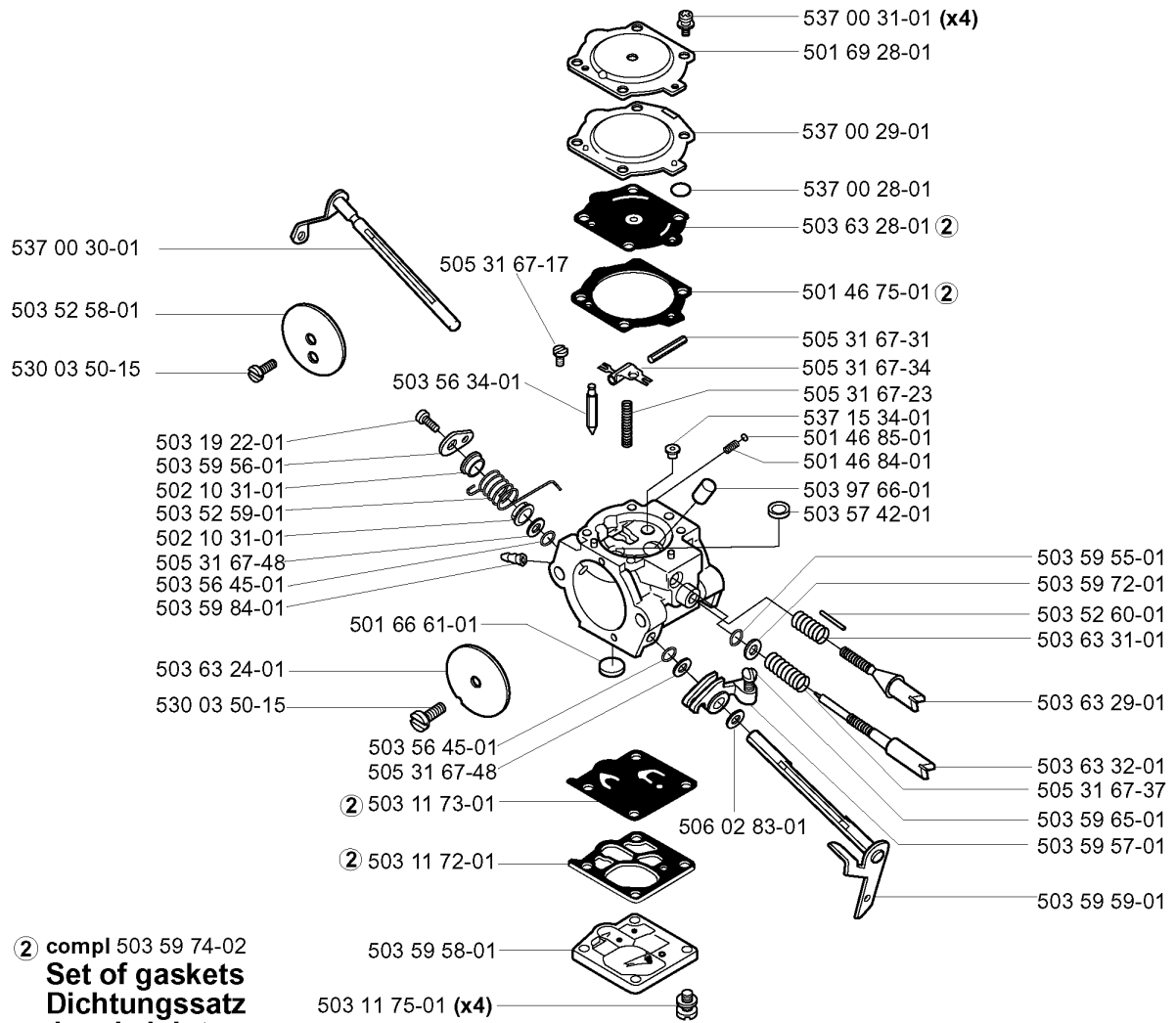
## STARTER

3120K EPA, 2005-05

Part No	Description	Remark	QTY KIT
501 20 15-03	STARTER CORD		1
501 63 06-01	SLEEVE		1
501 89 59-02	AIR CONDUCTOR		1
501 89 65-02	STARTER ASSY		1
501 89 66-01	STARTER HOUSING		1
501 89 67-01	STARTER PULLEY		1
503 13 50-01	RECOIL SPRING		1
503 20 34-25	SCREW CCRPANMO		4
503 21 49-16	SCREW IHSCFT		1
503 23 43-02	WASHER		1
503 54 39-01	STARTER HANDLE		1
537 09 69-02	LABEL		1

**N** compl 503 28 12-17

# Walbro WG 9

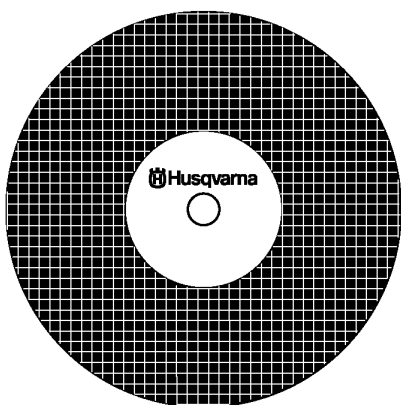


## CARBURETOR DETAILS

3120K EPA, 2005-05

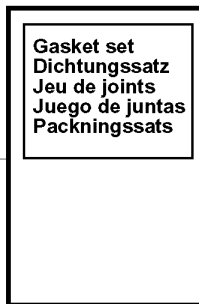
Part No	Description	Remark	QTY KIT
501 46 75-01	GASKET	503 59 74-02 SET OF GASKETS	1
501 46 84-01	SPRING		1
501 46 85-01	BALL		1
501 66 61-01	SCREEN		1
501 69 28-01	COVER		1
502 10 31-01	BUSHING		1
502 10 31-01	BUSHING		1
503 11 72-01	GASKET	503 59 74-02 SET OF GASKETS	1
503 11 73-01	DIAPHRAGM PUMP	503 59 74-02 SET OF GASKETS	1
503 11 75-01	SCREW		4
503 19 22-01	SCREW PAN HD(M2.5X5)		1
503 28 12-17	CARBURETTOR		1
503 52 58-01	VALVE CHOKE		1
503 52 59-01	SPRING THROTT RETURN		1
503 52 60-01	PIN THROTTLE STOP		1
503 56 34-01	NEEDLE VALVE		1
503 56 45-01	SEAL		1
503 56 45-01	SEAL		1
503 57 42-01	PLUG		1
503 59 55-01	O-RING		1
503 59 56-01	LEVER		1
503 59 57-01	LEVER		1
503 59 58-01	COVER		1
503 59 59-01	SHAFT ASSY		1
503 59 65-01	SCREW		1
503 59 72-01	WASHER		1
503 59 84-01	FITTING		1
503 63 24-01	VALVE THROTTLE		1
503 63 28-01	DIAPHRAGM ASSY	503 59 74-02 SET OF GASKETS	1
503 63 29-01	SCREW IDLE SPEED		1
503 63 31-01	SPRING		1
503 63 32-01	NEEDLE IDLE SPEED		1
503 97 66-01	NOZZLE ASSY		1
505 31 67-17	SCREW		1
505 31 67-23	SPRING		1
505 31 67-31	PIN		1
505 31 67-34	LEVER		1
505 31 67-37	SPRING		1
505 31 67-48	WASHER		1
505 31 67-48	WASHER		1
506 02 83-01	WASHER		1
530 03 50-15	SCREW		1
530 03 50-15	SCREW		1
537 00 28-01	RING		1
537 00 29-01	COVER		1
537 00 30-01	SHAFT ASSY		1
537 00 31-01	SCREW		4
537 15 34-01	JET		1

**P** Accessories  
Zubehöre  
Accessories  
Accessorios  
Tillbehör

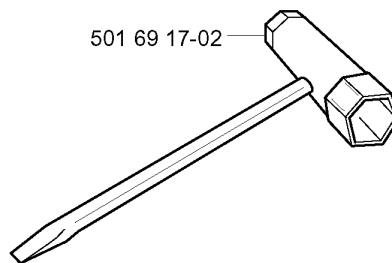


506 36 78-04 14" (350/20)  
506 36 78-06 16" (400/20)

① 506 29 24-02



501 69 17-02

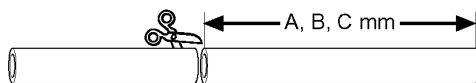
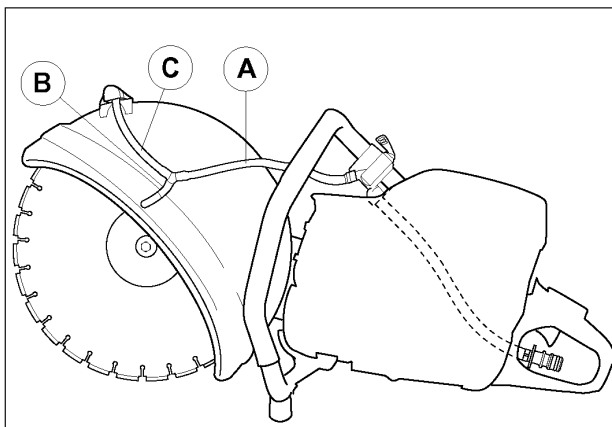
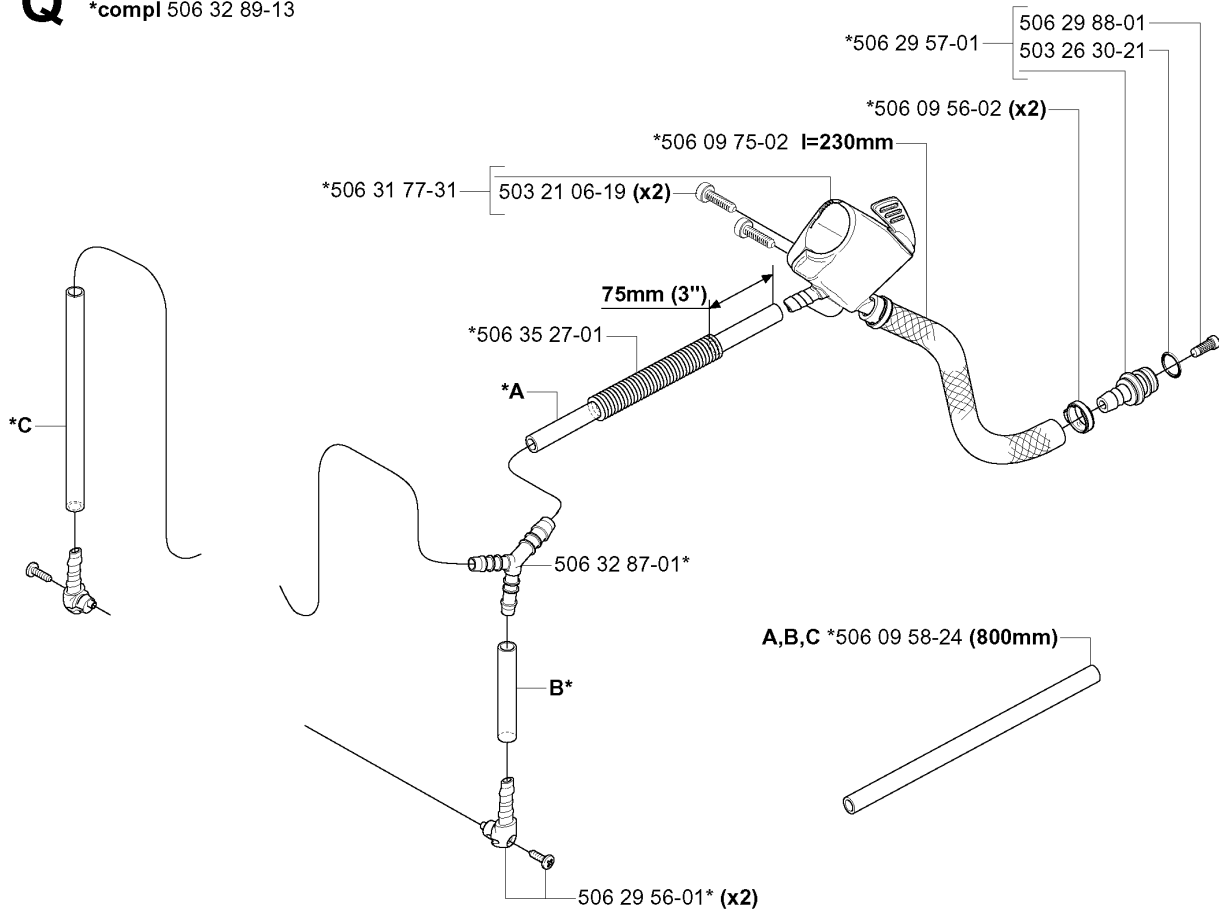


## ACCESSORIES

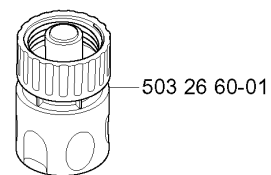
3120K EPA, 2005-05

Part No	Description	Remark	QTY KIT
501 69 17-02	COMBINATION WRENCH		1
506 29 24-02	GASKET KIT		1
506 36 78-04	CUTTING DISK	14 (350/20)	1
506 36 78-06	CUTTING DISK	16 (400/20)	1

**Q** Wet cutting kit (New)  
\*compl 506 32 89-13



Product		A (mm)	B (mm)	C (mm)
3120K	14"	280	45	280
3120K	16"	270	45	360



## ACCESSORIES

3120K EPA, 2005-05

Part No	Description	Remark	QTY KIT
503 21 06-19	SCREW IHSCT		2
503 26 30-21	O-RING		1
503 26 60-01	COUPLER		1
506 09 56-02	HOSE CLAMP		2
506 09 58-24	HOSE	A,B,C 800MM	1
506 09 75-02	HOSE	I=230MM	1
506 29 56-01	NIPPLE		2
506 29 57-01	NIPPLE		1
506 29 88-01	FILTER		1
506 31 77-31	VALVE ASSY		1
506 32 87-01	Y-TUBE		1
506 32 89-13	HOSE KIT	WET CUTTING KIT (NEW)	1
506 35 27-01	PROTECTIVE SPRING		1