

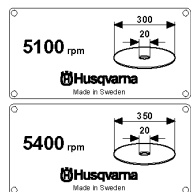
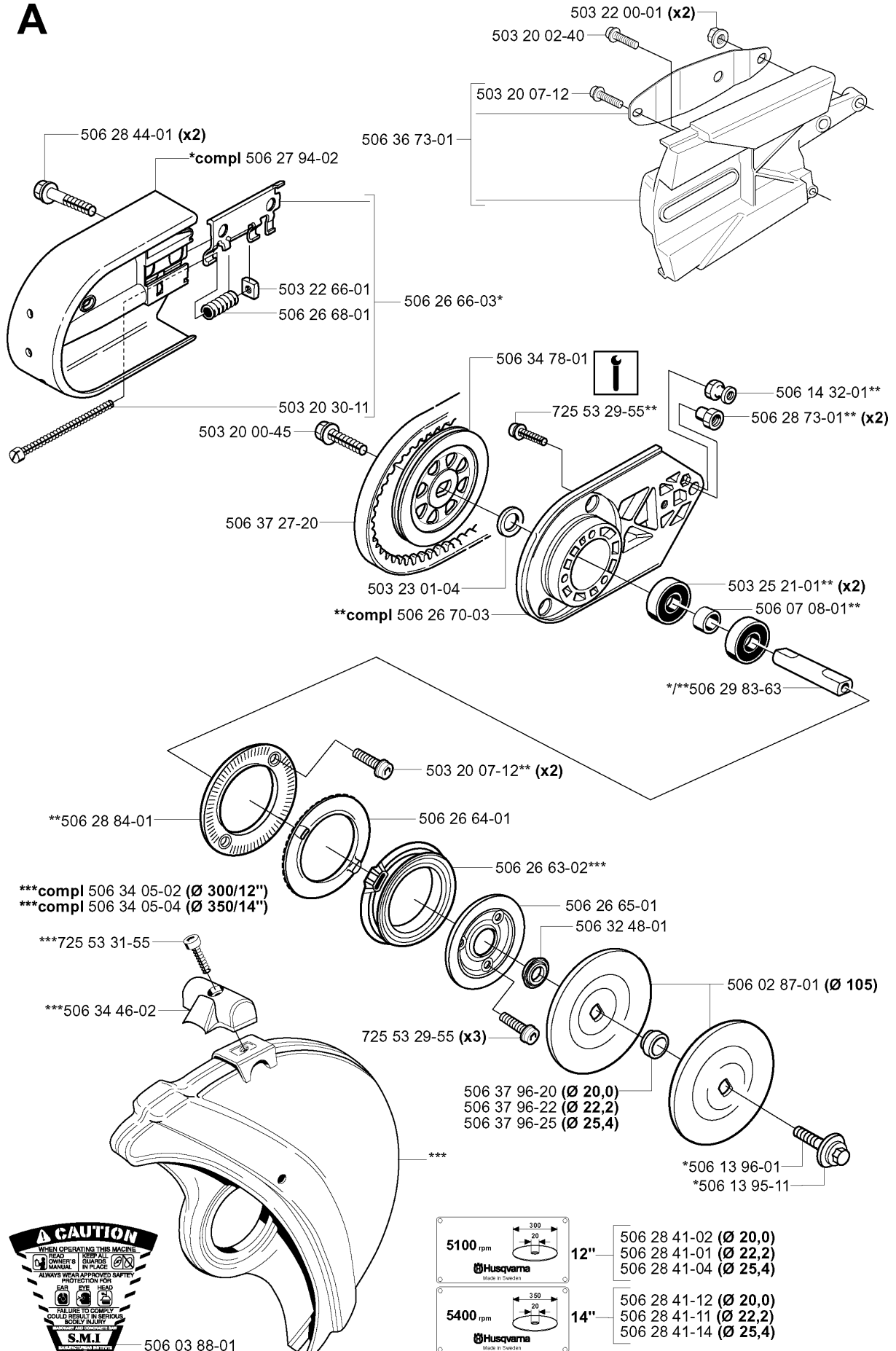


# SPARE PARTS LIST

POWER CUTTERS

371K EPA, 2005-05

**A**

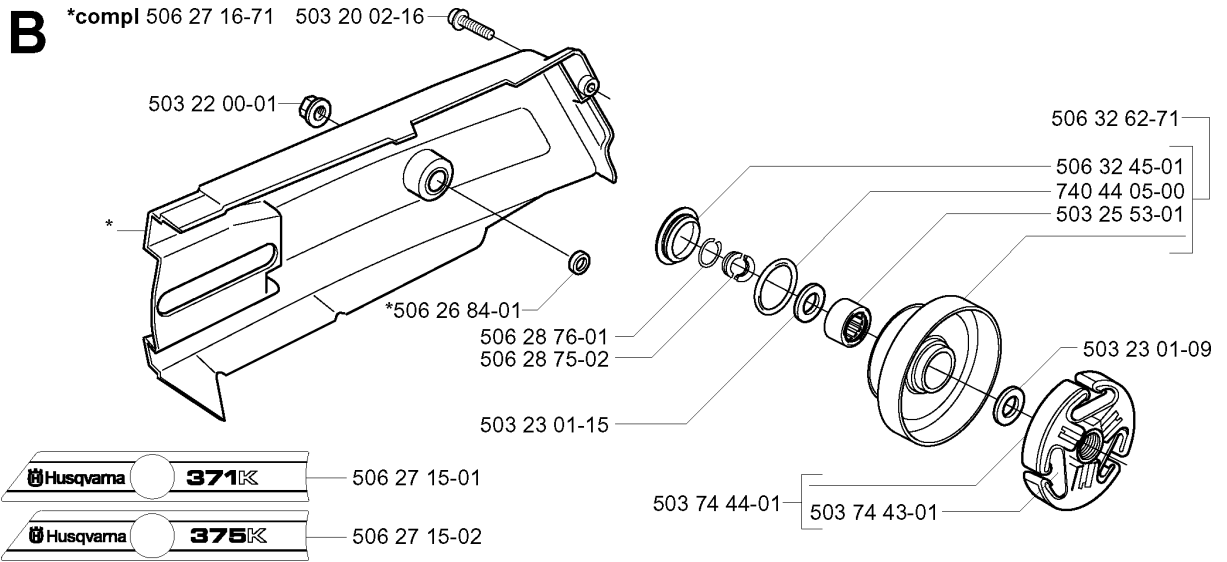


- 506 28 41-02 (Ø 20,0)
- 506 28 41-01 (Ø 22,2)
- 506 28 41-04 (Ø 25,4)
- 506 28 41-12 (Ø 20,0)
- 506 28 41-11 (Ø 22,2)
- 506 28 41-14 (Ø 25,4)

## CUTTING ARM &amp; BLADE GUARD

371K EPA, 2005-05

Part No	Description	Remark	QTY KIT
503 20 00-45	SCREW EHHFM		1
503 20 02-40	SCREW IHSCFM		1
503 20 07-12	SCREW IHSCFM		1
503 20 07-12	SCREW IHSCFM		2
503 20 30-11	SCREW SLCHM		1
503 22 00-01	HEXAGON NUT		2
503 22 66-01	SQUARE NUT		1
503 23 01-04	WASHER		1
503 25 21-01	BALL BEARING		2
506 02 87-01	FLANGE WASHER	DIA. 105	1
506 03 88-01	LABEL		1
506 07 08-01	SPACING SLEEVE		1
506 13 95-11	WASHER		1
506 13 96-01	SCREW EHHFM		1
506 14 32-01	NUT CAP		1
506 26 63-02	LINING		1
506 26 64-01	SCREEN		1
506 26 65-01	FLANGE		1
506 26 66-03	BELT TENSIONER ASSY		1
506 26 68-01	COMPRESSION SPRING		1
506 26 70-03	HOUSING		1
506 27 94-02	BELT GUARD		1
506 28 41-01	LABEL	12 DIA. 22,2	1
506 28 41-02	LABEL	12 DIA. 20,0	1
506 28 41-04	LABEL	12 DIA. 25,4	1
506 28 41-11	LABEL	14 DIA. 22,2	1
506 28 41-12	LABEL	14 DIA. 20,0	1
506 28 41-14	LABEL	14 DIA. 25,4	1
506 28 44-01	SCREW EHHFM		2
506 28 73-01	NUT		2
506 28 84-01	SCREEN		1
506 29 83-63	SHAFT		1
506 32 48-01	SUPPORT FLANGE		1
506 34 05-02	WHEEL GUARD	DIA. 300/12	1
506 34 05-04	WHEEL GUARD	DIA. 350/14	1
506 34 46-02	HANDLE		1
506 34 78-01	PULLEY		1
506 36 73-01	CUTTER ARM		1
506 37 27-20	BELT		1
506 37 96-20	KIT	DIA. 20,0	1
506 37 96-22	KIT	DIA. 22,2	1
506 37 96-25	KIT	DIA. 25,4	1
725 53 29-55	SCREW IHSCM		1
725 53 29-55	SCREW IHSCM		3
725 53 31-55	SCREW IHSCM		1

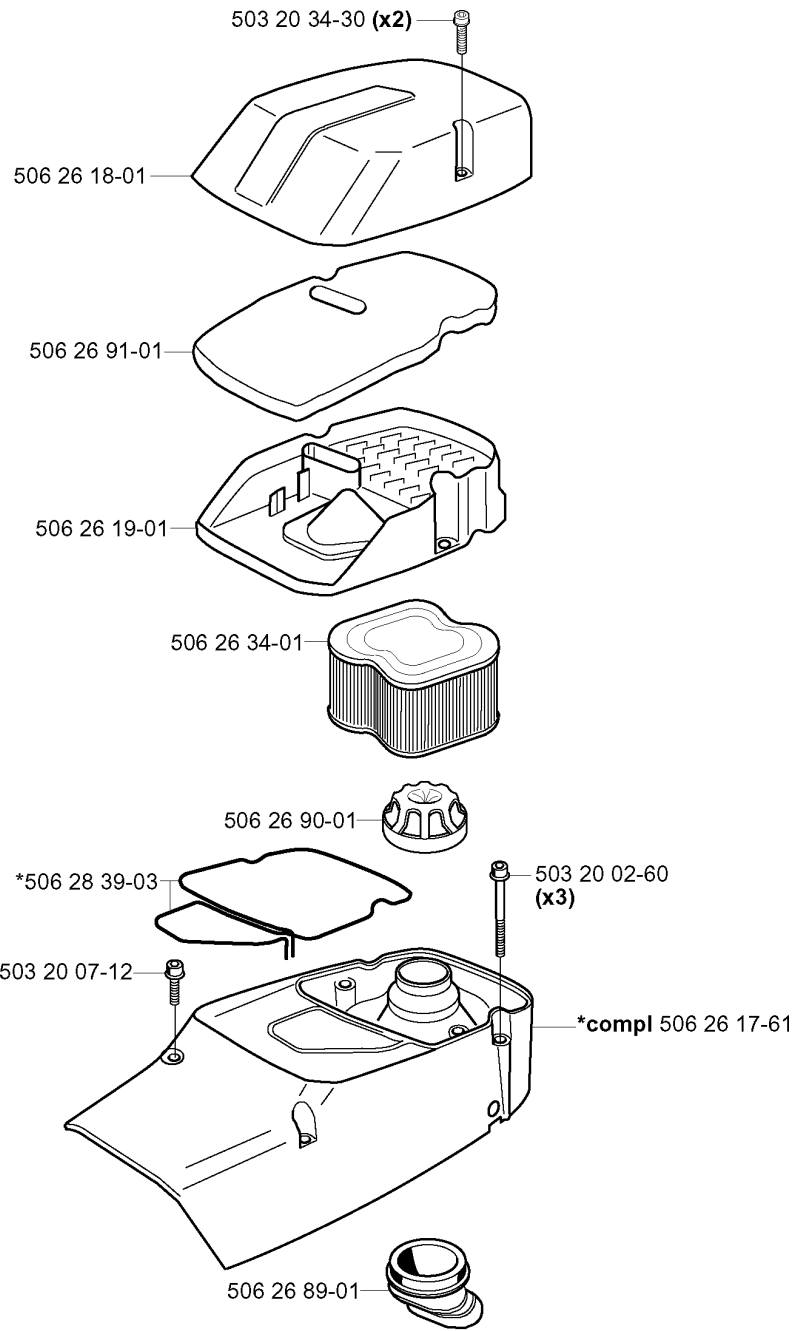


## CLUTCH

371K EPA, 2005-05

Part No	Description	Remark	QTY KIT
503 20 02-16	SCREW IHSCFM		1
503 22 00-01	HEXAGON NUT		1
503 23 01-09	WASHER		1
503 23 01-15	WASHER		1
503 25 53-01	NEEDLE BEARING		1
503 74 43-01	CLUTCH SPRING		1
503 74 44-01	CLUTCH ASSY		1
506 26 84-01	SPACING SLEEVE		1
506 27 15-01	LABEL		1
506 27 15-02	LABEL		1
506 27 16-71	BELT GUARD		1
506 28 75-02	CIRCLIP		1
506 28 76-01	RETAINER RING		1
506 32 45-01	PLUG		1
506 32 62-71	CLUTCH DRUM		1
740 44 05-00	O-RING		1

C



506 27 33-11  
EPA USA



506 27 33-12 CE

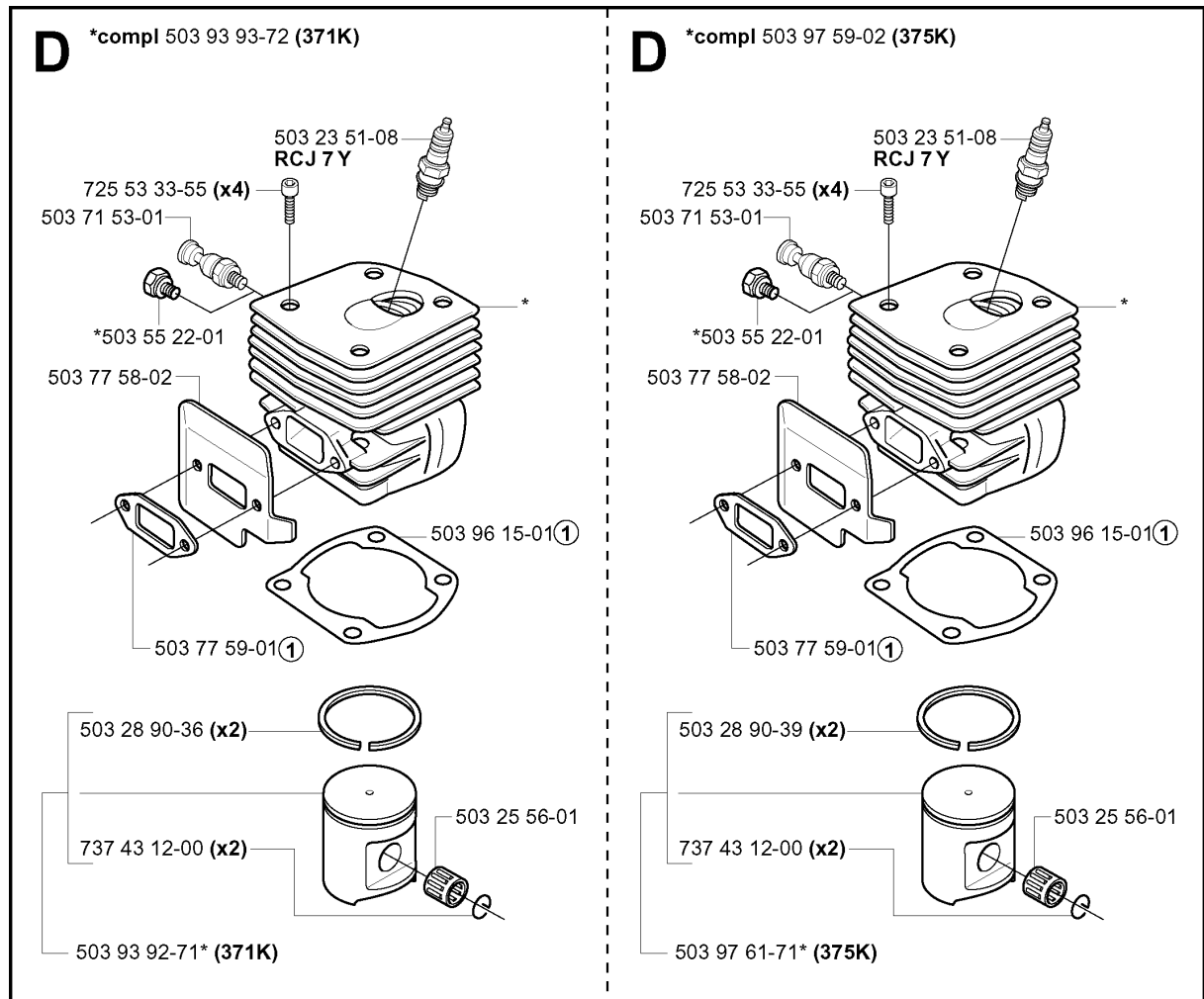


506 27 33-13  
EPA CANADA

## AIR FILTER

371K EPA, 2005-05

Part No	Description	Remark	QTY KIT
503 20 02-60	SCREW		3
503 20 07-12	SCREW IHSCFM		1
503 20 34-30	SCREW		2
506 26 17-61	CYLINDER COVER		1
506 26 18-01	FILTER COVER		1
506 26 19-01	FILTER BOTTOM		1
506 26 34-01	AIR FILTER		1
506 26 89-01	BELLOWS		1
506 26 90-01	RETAINER		1
506 26 91-01	PREFILTER		1
506 27 33-11	LABEL	EPA USA	1
506 27 33-12	LABEL	CE	1
506 27 33-13	LABEL	EPA CANADA	1
506 28 39-03	ELASTIC STRING		1



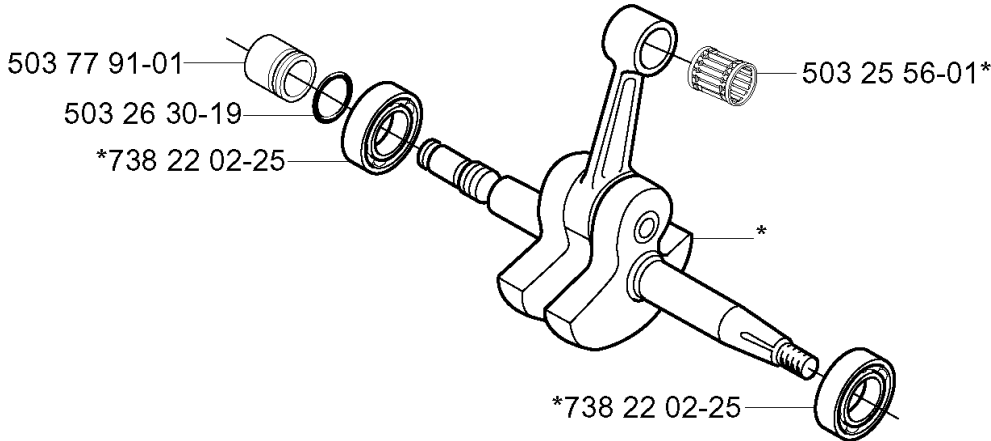


## CYLINDER PISTON

371K EPA, 2005-05

Part No	Description	Remark	QTY KIT
503 23 51-08	SPARK PLUG	RCJ 7 Y	1
503 23 51-08	SPARK PLUG	RCJ 7 Y	1
503 25 56-01	NEEDLE BEARING		1
503 25 56-01	NEEDLE BEARING		1
503 28 90-36	PISTON RING		2
503 28 90-39	PISTON RING		2
503 55 22-01	PLUG		1
503 55 22-01	PLUG		1
503 71 53-01	DECOMPRESSION VALVE		1
503 71 53-01	DECOMPRESSION VALVE		1
503 77 58-02	HEAT DEFLECTOR		1
503 77 58-02	HEAT DEFLECTOR		1
503 77 59-01	GASKET		1
503 77 59-01	GASKET		1
503 93 92-71	PISTON ASSY	371K	1
503 93 93-72	CYLINDER ASSY	371K	1
503 96 15-01	GASKET		1
503 96 15-01	GASKET		1
503 97 59-02	CYLINDER ASSY	375K	1
503 97 61-71	PISTON ASSY	375K	1
725 53 33-55	SCREW IHSCM		4
725 53 33-55	SCREW IHSCM		4
737 43 12-00	SNAP RING		2
737 43 12-00	SNAP RING		2

**E** \*compl 503 72 91-79

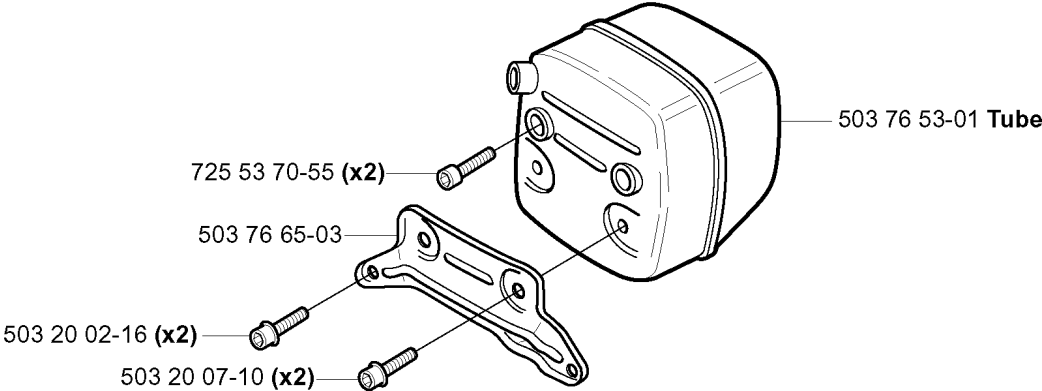


CRANKSHAFT

371K EPA, 2005-05

Part No	Description	Remark	QTY KIT
503 25 56-01	NEEDLE BEARING		1
503 26 30-19	O-RING		1
503 72 91-79	CRANKSHAFT ASSY		1
503 77 91-01	SLEEVE		1
738 22 02-25	BALL BEARING		1
738 22 02-25	BALL BEARING		1

**F**

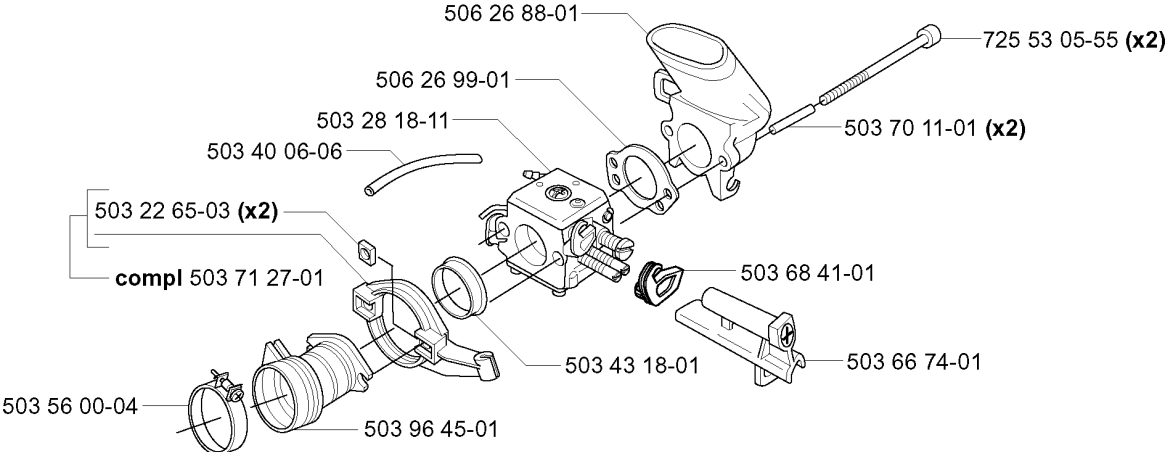


MUFFLER

371K EPA, 2005-05

Part No	Description	Remark	QTY KIT
503 20 02-16	SCREW IHSCFM		2
503 20 07-10	SCREW IHSCFM		2
503 76 53-01	MUFFLER ASSY	TUBE	1
503 76 65-03	BRACKET		1
725 53 70-55	SCREW IHSCM		2

**G**

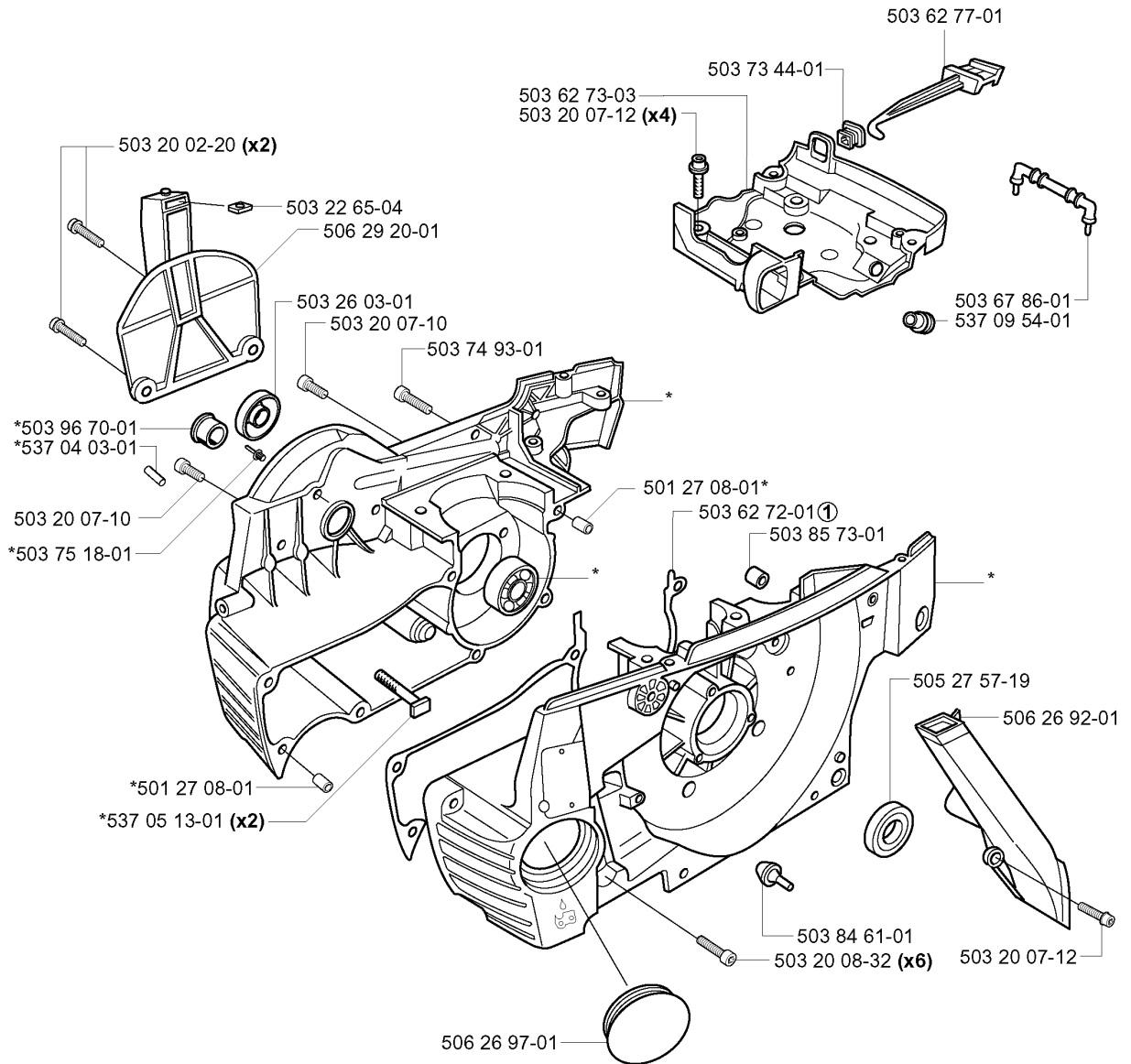


## CARBURETOR

371K EPA, 2005-05

Part No	Description	Remark	QTY KIT
503 22 65-03	SQUARE NUT		2
503 28 18-11	CARBURETTOR		1
503 40 06-06	IMPULSE HOSE		1
503 43 18-01	SUPPORT SLEEVE		1
503 56 00-04	HOSE CLAMP		1
503 66 74-01	GUIDE BUSHING		1
503 68 41-01	LEVER		1
503 70 11-01	TUBE		2
503 71 27-01	FLANGE		1
503 96 45-01	INLET PIPE		1
506 26 88-01	INLET BEND		1
506 26 99-01	GASKET		1
725 53 05-55	SCREW IHSCM		2

**H** \*compl 503 62 68-76



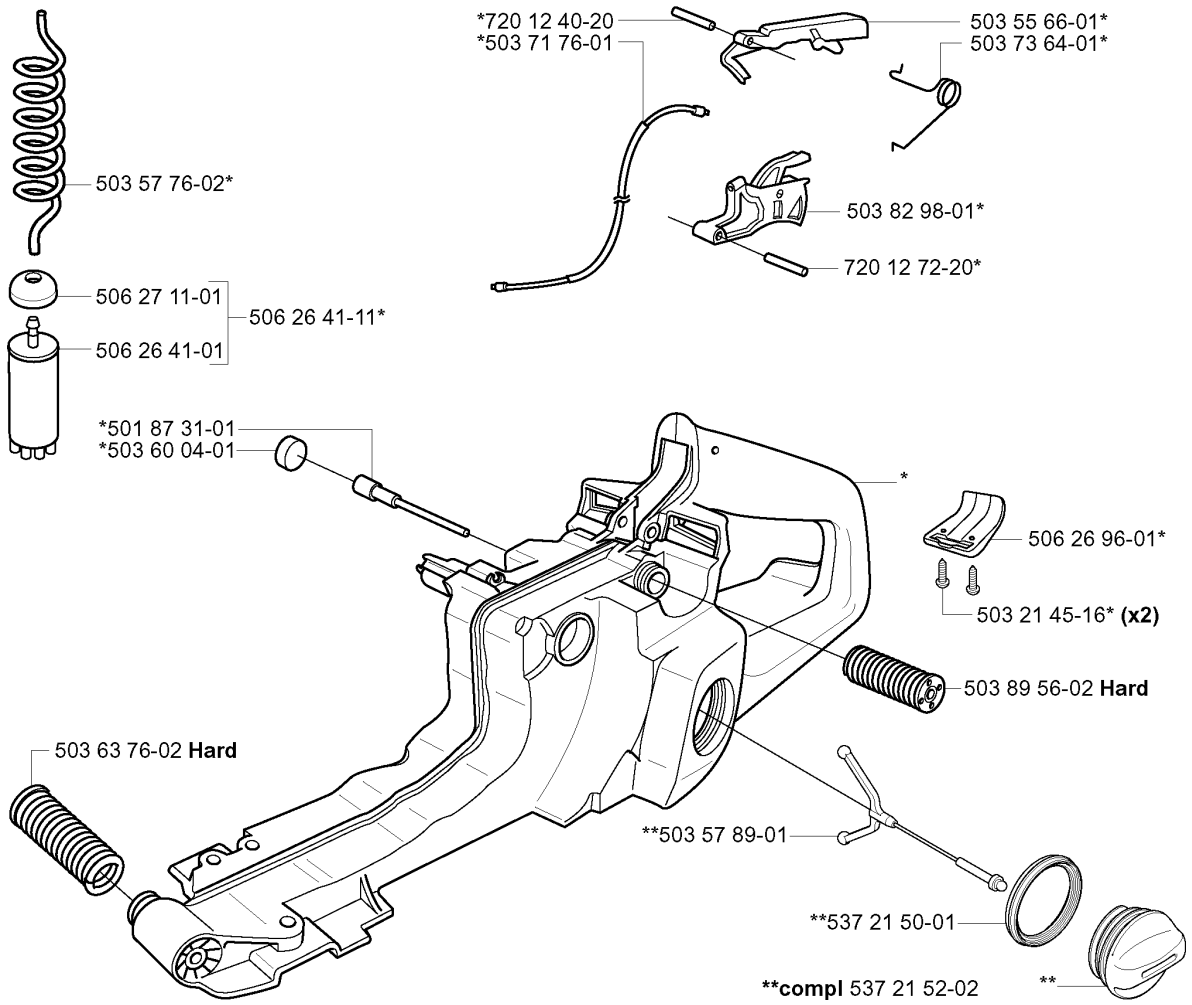


## CRANKCASE

371K EPA, 2005-05

Part No	Description	Remark	QTY KIT
501 27 08-01	GUIDE BUSHING		1
501 27 08-01	GUIDE BUSHING		1
503 20 02-20	SCREW IHSCFM		2
503 20 07-10	SCREW IHSCFM		1
503 20 07-10	SCREW IHSCFM		1
503 20 07-12	SCREW IHSCFM		1
503 20 07-12	SCREW IHSCFM		4
503 20 08-32	SCREW IHSCM		6
503 22 65-04	SQUARE NUT		1
503 26 03-01	SEALING RING		1
503 62 68-76	CRANKCASE ASSY		1
503 62 72-01	GASKET		1
503 62 73-03	CARBURETTOR		1
503 62 77-01	CHOKE CONTROL		1
503 67 86-01	STÖTTA FÖRGASARE		1
503 73 44-01	GROMMET		1
503 74 93-01	SCREW		1
503 75 18-01	PIN		1
503 84 61-01	BUFFER		1
503 85 73-01	COVER		1
503 96 70-01	BUSHING		1
505 27 57-19	SEALING RING		1
506 26 92-01	AIR NOZZLE		1
506 26 97-01	PLUG		1
506 29 20-01	BRACKET		1
537 04 03-01	VALVE		1
537 05 13-01	BAR BOLT		2
537 09 54-01	GROMMET		1

**J** \*compl 503 71 32-76

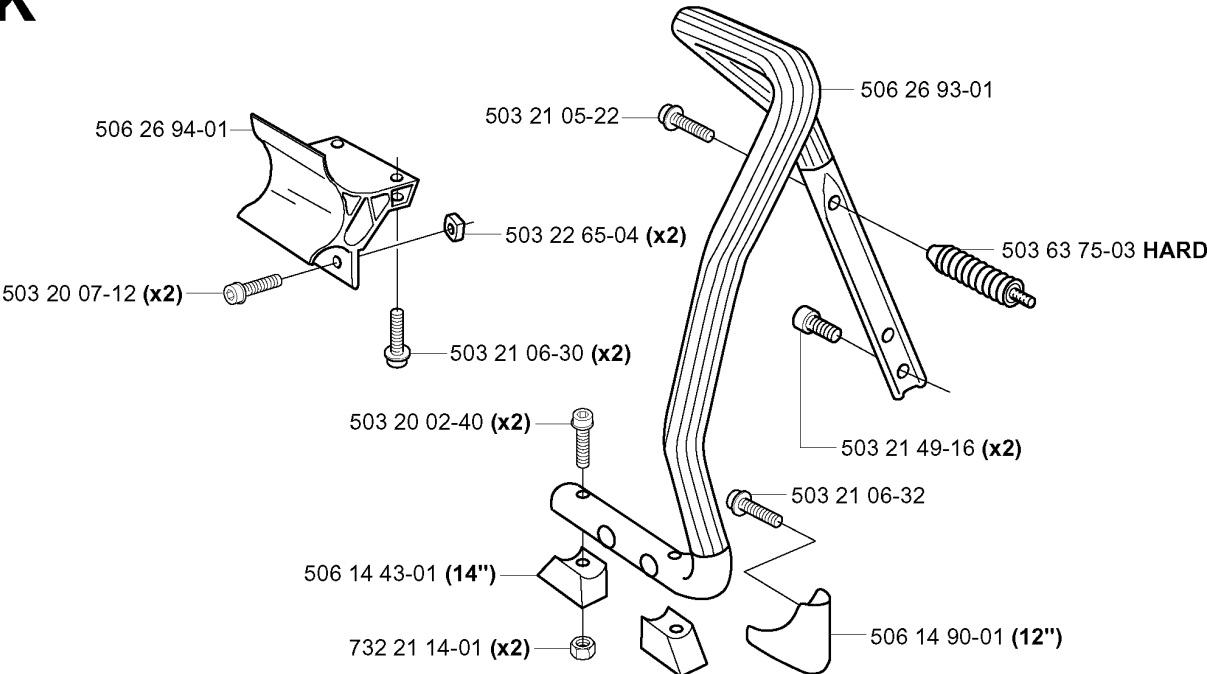


## FUEL TANK

371K EPA, 2005-05

Part No	Description	Remark	QTY KIT
501 87 31-01	TANK VENT ASSY		1
503 21 45-16	SCREW CRCSFT		2
503 55 66-01	THROTTLE LOCKOUT		1
503 57 76-02	FUEL HOSE		1
503 57 89-01	HOLDER		1
503 60 04-01	FILTER PLUG		1
503 63 76-02	ANTIVIBRATION ELEMENT	HARD	1
503 71 32-76	FUEL TANK		1
503 71 76-01	THROTTLE CABLE ASSY		1
503 73 64-01	SPRING		1
503 82 98-01	TRIGGER		1
503 89 56-02	ANTIVIBRATION ELEMENT	HARD	1
506 26 41-01	FUEL FILTER		1
506 26 41-11	FUEL FILTER		1
506 26 96-01	SUPPORT		1
506 27 11-01	HOSE CLAMP		1
537 21 50-01	SEALING		1
537 21 52-02	TANK CAP ASSY		1
720 12 40-20	PARALLEL PIN		1
720 12 72-20	PARALLEL PIN		1

**K**

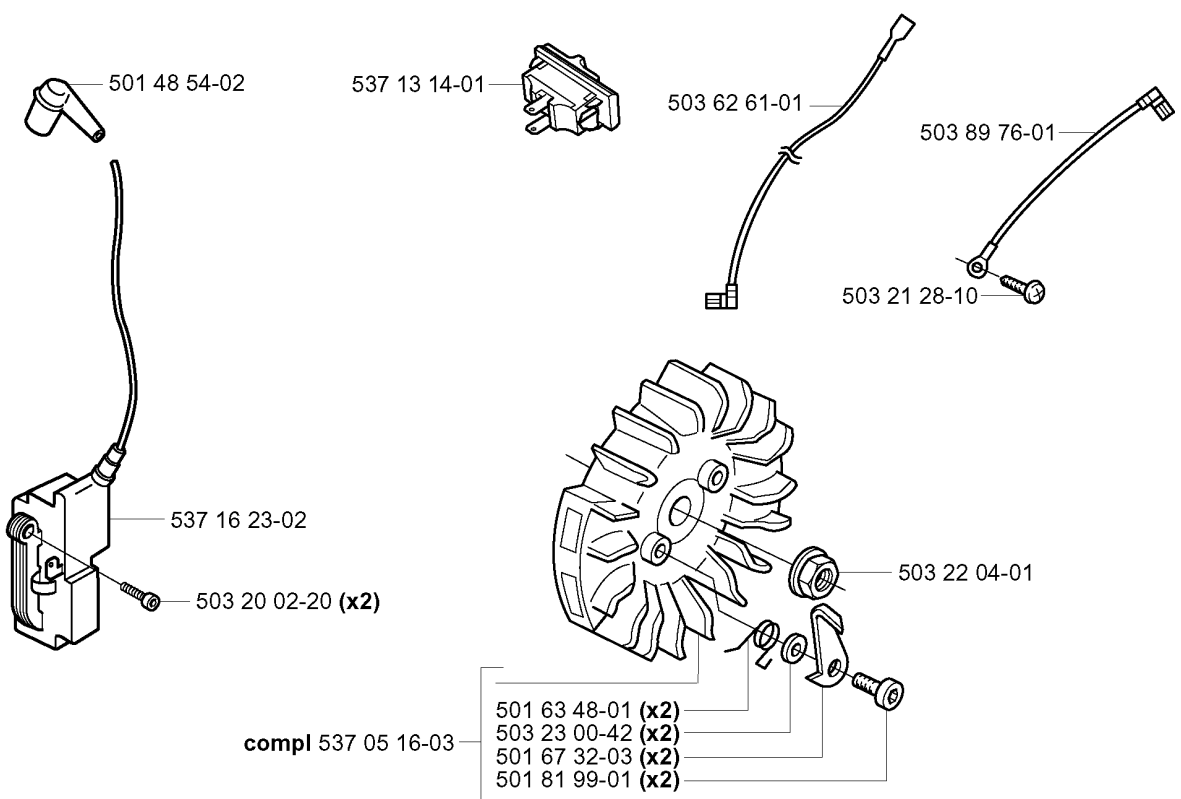


## HANDLE

371K EPA, 2005-05

Part No	Description	Remark	QTY KIT
503 20 02-40	SCREW IHSCFM		2
503 20 07-12	SCREW IHSCFM		2
503 21 05-22	SCREW IH SCT		1
503 21 06-30	SCREW IH SCT		2
503 21 06-32	SCREW IH SCT		1
503 21 49-16	SCREW IH SCFT		2
503 22 65-04	SQUARE NUT		2
503 63 75-03	ANTIVIBRATION ELEMENT	HARD	1
506 14 43-01	GROUND SUPPORT	14	1
506 14 90-01	SUPPORT	12	1
506 26 93-01	HANDLE		1
506 26 94-01	GROUND SUPPORT		1
732 21 14-01	LOCK NUT		2


L

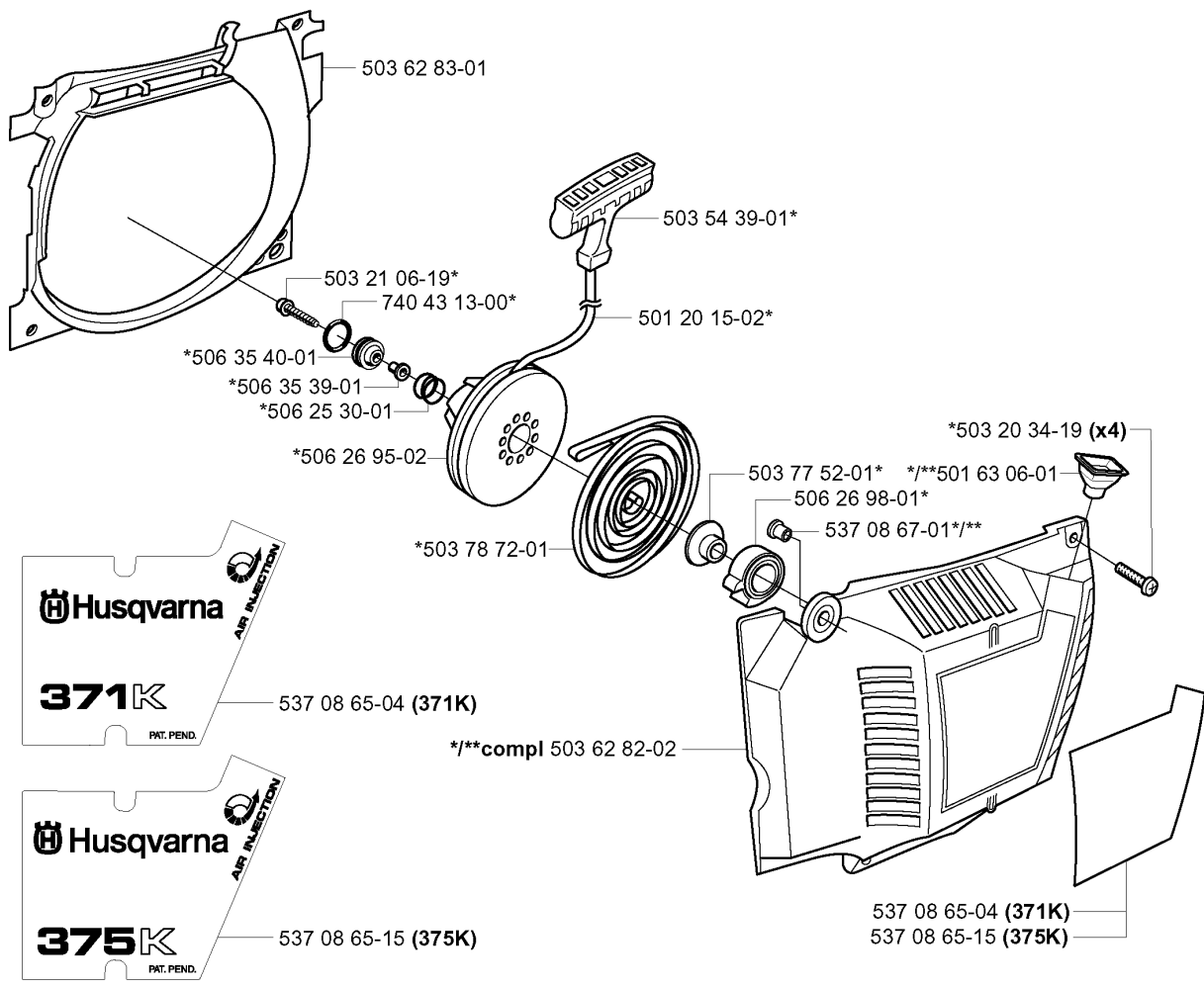


## IGNITION SYSTEM

371K EPA, 2005-05

Part No	Description	Remark	QTY KIT
501 48 54-02	SPARK PLUG CAP		1
501 63 48-01	SPRING		2
501 67 32-03	PAWL		2
501 81 99-01	SCREW		2
503 20 02-20	SCREW IHSCFM		2
503 21 28-10	SCREW CCRPANT		1
503 22 04-01	NUT		1
503 23 00-42	WASHER		2
503 62 61-01	CABLE		1
503 89 76-01	CABLE		1
537 05 16-03	FLYWHEEL ASSY		1
537 13 14-01	SWITCH		1
537 16 23-02	IGNITION SYSTEM		1

**M** \*compl 506 35 41-71 





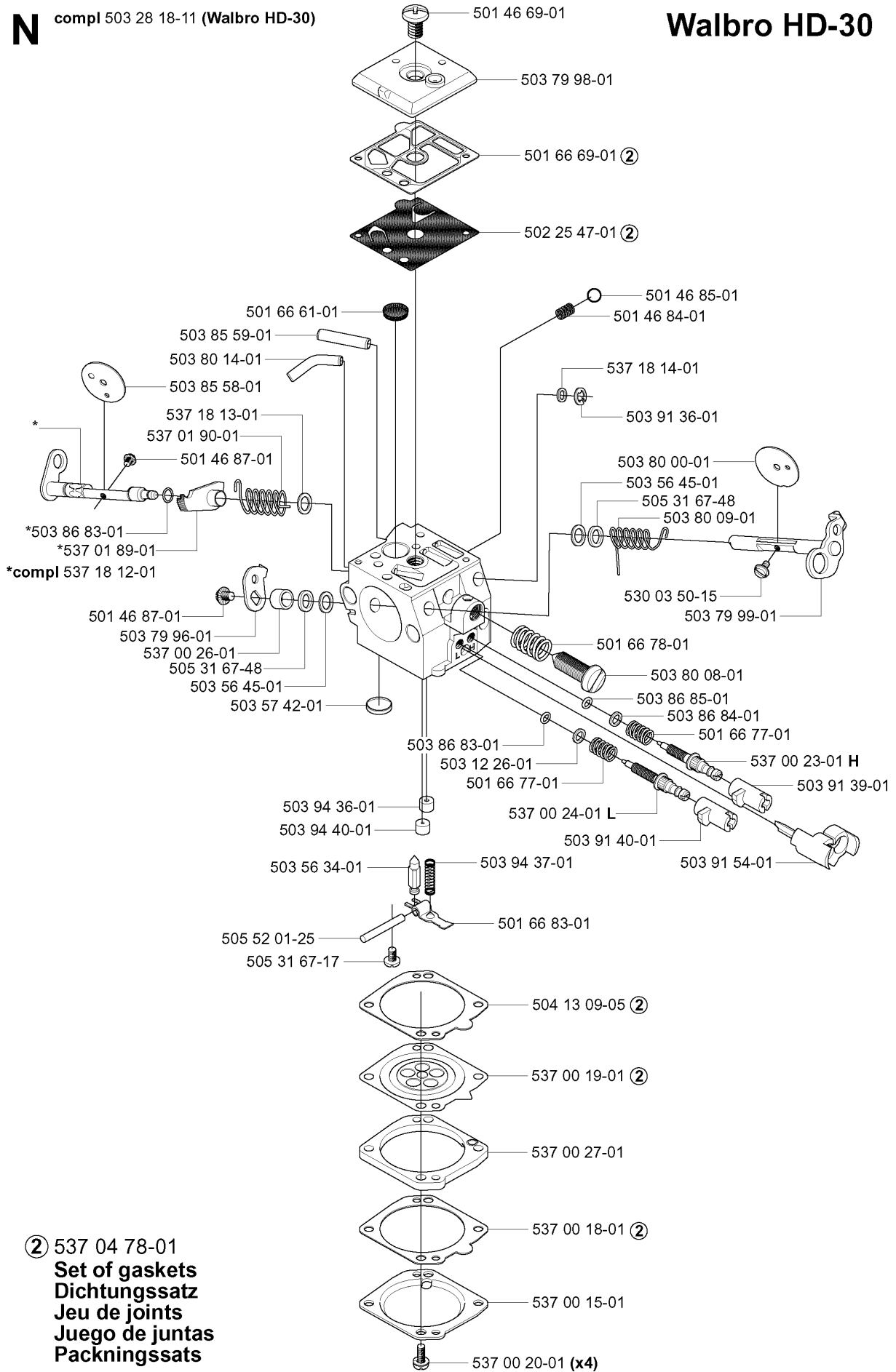
## STARTER

371K EPA, 2005-05

Part No	Description	Remark	QTY KIT
501 20 15-02	STARTER CORD		1
501 63 06-01	SLEEVE		1
503 20 34-19	SCREW CCRPANMO		4
503 21 06-19	SCREW IHSC		1
503 54 39-01	STARTER HANDLE		1
503 62 82-02	STARTER HOUSING		1
503 62 83-01	AIR CONDUCTOR		1
503 77 52-01	BUSHING		1
503 78 72-01	RECOIL SPRING		1
506 25 30-01	COMPRESSION SPRING		1
506 26 95-02	STARTER PULLEY		1
506 26 98-01	BUSHING		1
506 35 39-01	SPACING SLEEVE		1
506 35 40-01	GROMMET		1
506 35 41-71	STARTER ASSY		1
537 08 65-04	LABEL	371K	1
537 08 65-04	LABEL	371K	1
537 08 65-15	LABEL	375K	1
537 08 65-15	LABEL	375K	1
537 08 67-01	BUSHING		1
740 43 13-00	O-RING		1

**N** compl 503 28 18-11 (Walbro HD-30)

**Walbro HD-30**

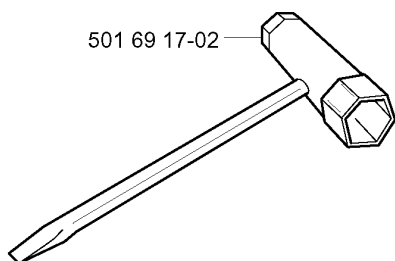
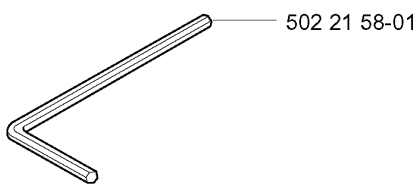


## CARBURETOR DETAILS

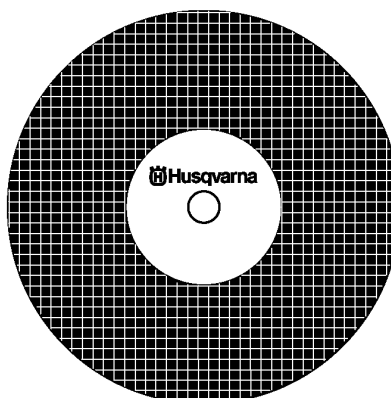
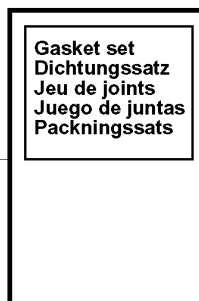
371K EPA, 2005-05

Part No	Description	Remark	QTY KIT
501 46 69-01	SCREW		1
501 46 84-01	SPRING		1
501 46 85-01	BALL		1
501 46 87-01	SCREW		1
501 46 87-01	SCREW		1
501 66 61-01	SCREEN		1
501 66 69-01	GASKET	537 04 78-01 SET OF GASKETS	1
501 66 77-01	SPRING		1
501 66 77-01	SPRING		1
501 66 78-01	SPRING		1
501 66 83-01	LEVER		1
502 25 47-01	DIAPHRAGM PUMP	537 04 78-01 SET OF GASKETS	1
503 12 26-01	WASHER		1
503 28 18-11	CARBURETTOR	WALBRO HD-30	1
503 56 34-01	NEEDLE VALVE		1
503 56 45-01	SEAL		1
503 56 45-01	SEAL		1
503 57 42-01	PLUG		1
503 79 96-01	LEVER		1
503 79 98-01	COVER		1
503 79 99-01	SHAFT		1
503 80 00-01	VALVE		1
503 80 08-01	SCREW		1
503 80 09-01	SPRING		1
503 80 14-01	FITTING		1
503 85 58-01	VALVE		1
503 85 59-01	FITTING		1
503 86 83-01	O-RING		1
503 86 83-01	O-RING		1
503 86 84-01	WASHER		1
503 86 85-01	O-RING		1
503 91 36-01	RING		1
503 91 39-01	LIMITER CAP		1
503 91 40-01	LIMITER CAP		1
503 91 54-01	RETAINER		1
503 94 36-01	NOZZLE ASSY		1
503 94 37-01	SPRING		1
503 94 40-01	JET		1
504 13 09-05	GASKET	537 04 78-01 SET OF GASKETS	1
505 31 67-17	SCREW		1
505 31 67-48	WASHER		1
505 31 67-48	WASHER		1
505 52 01-25	PIN		1
530 03 50-15	SCREW		1
537 00 15-01	COVER		1
537 00 18-01	GASKET	537 04 78-01 SET OF GASKETS	1
537 00 19-01	DIAPHRAGM	537 04 78-01 SET OF GASKETS	1
537 00 20-01	SCREW		4
537 00 23-01	NEEDLE	H	1
537 00 24-01	NEEDLE	L	1
537 00 26-01	SPACER		1
537 00 27-01	PLATE		1
537 01 89-01	LEVER		1
537 01 90-01	SPRING		1
537 18 12-01	SHAFT ASSY		1
537 18 13-01	WASHER		1
537 18 14-01	SPACER		1

**P** Accessories  
Zubehöre  
Accessories  
Accesorios  
Tillbehör



① 503 64 72-01



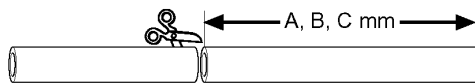
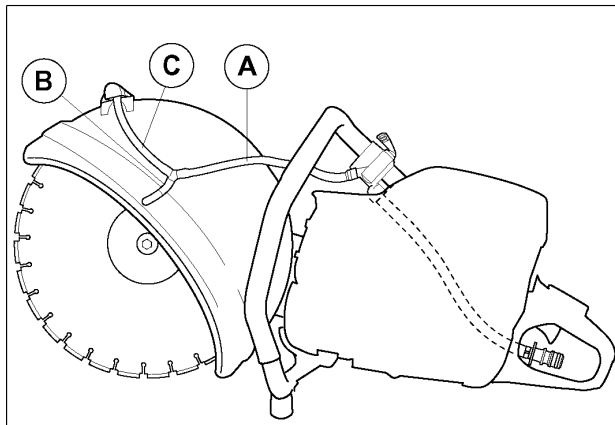
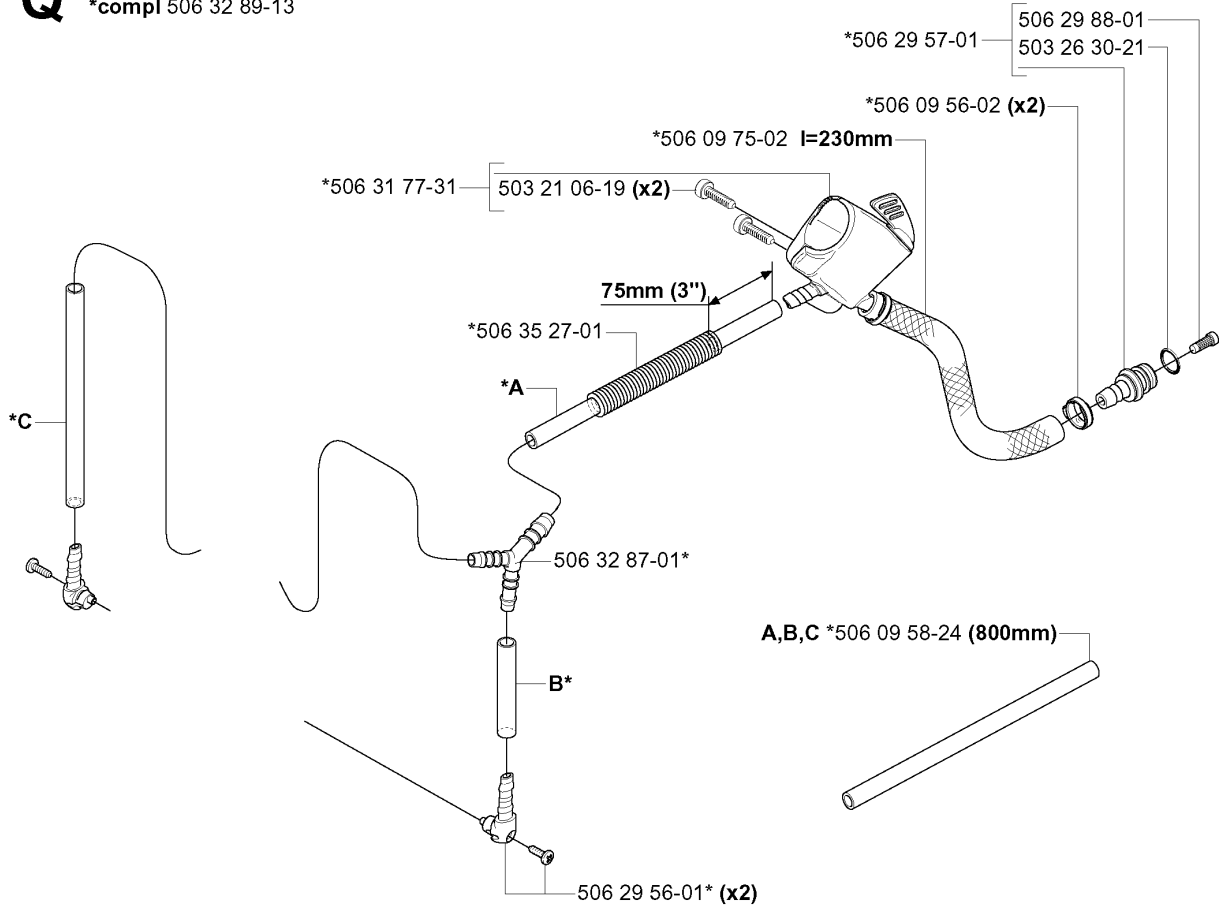
506 36 78-02 12" (300/20)  
506 36 78-04 14" (350/20)

## ACCESSORIES

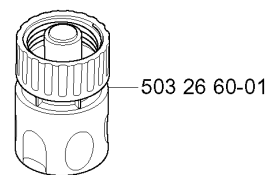
371K EPA, 2005-05

Part No	Description	Remark	QTY KIT
501 69 17-02	COMBINATION WRENCH		1
502 21 58-01	WRENCH		1
503 64 72-01	GASKET KIT		1
506 36 78-02	CUTTING DISK	12 (300/20)	1
506 36 78-04	CUTTING DISK	14 (350/20)	1

**Q Wet cutting kit (New)**  
\*compl 506 32 89-13



Product		A (mm)	B (mm)	C (mm)
371K	12"	255	45	240
371K	14"	255	45	280
375K	12"	255	45	240
375K	14"	255	45	280



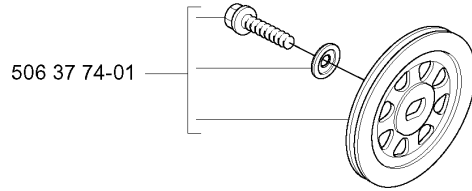
## ACCESSORIES

371K EPA, 2005-05

Part No	Description	Remark	QTY KIT
503 21 06-19	SCREW IHST		2
503 26 30-21	O-RING		1
503 26 60-01	COUPLER		1
506 09 56-02	HOSE CLAMP		2
506 09 58-24	HOSE	A,B,C 800MM	1
506 09 75-02	HOSE	I=230MM	1
506 29 56-01	NIPPLE		2
506 29 57-01	NIPPLE		1
506 29 88-01	FILTER		1
506 31 77-31	VALVE ASSY		1
506 32 87-01	Y-TUBE		1
506 32 89-13	HOSE KIT	WET CUTTING KIT (NEW)	1
506 35 27-01	PROTECTIVE SPRING		1

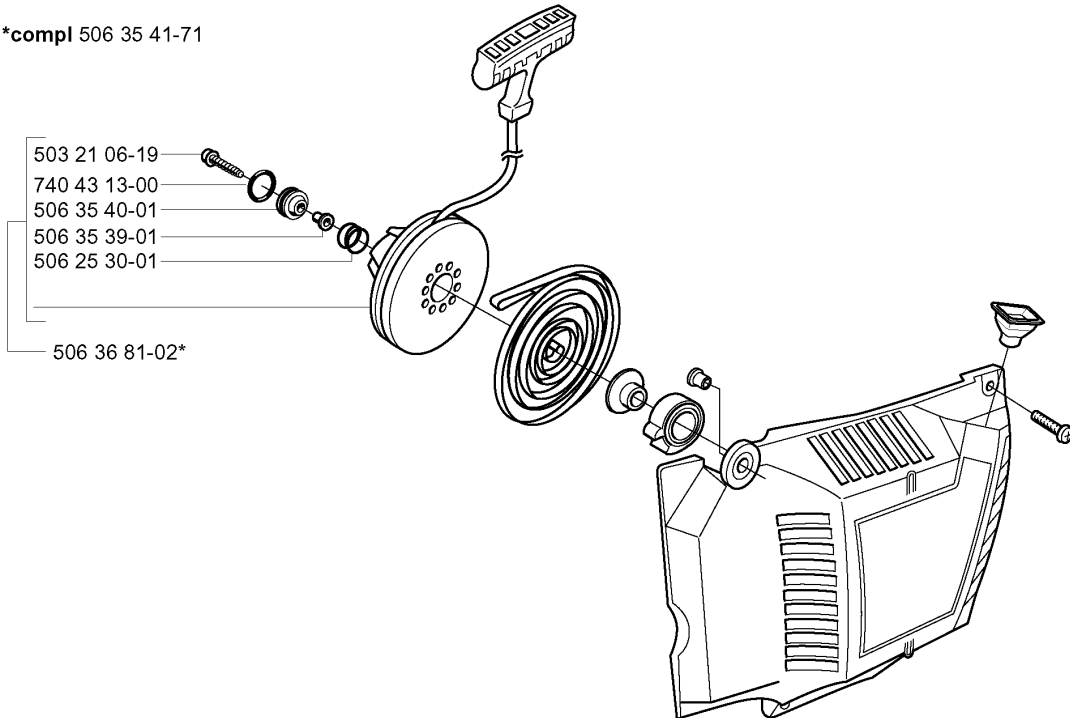


**Up to 023200206 (371K)**



**Up to 024600119 (371K)**

\*compl 506 35 41-71





## SERVICE UPDATES

371K EPA, 2005-05

Part No	Description	Remark	QTY KIT
503 21 06-19	SCREW IHST		1
506 25 30-01	COMPRESSION SPRING		1
506 35 39-01	SPACING SLEEVE		1
506 35 40-01	GROMMET		1
506 35 41-71	STARTER ASSY		1
506 36 81-02	STARTER PULLEY		1
506 37 74-01	PULLEY		1
740 43 13-00	O-RING		1