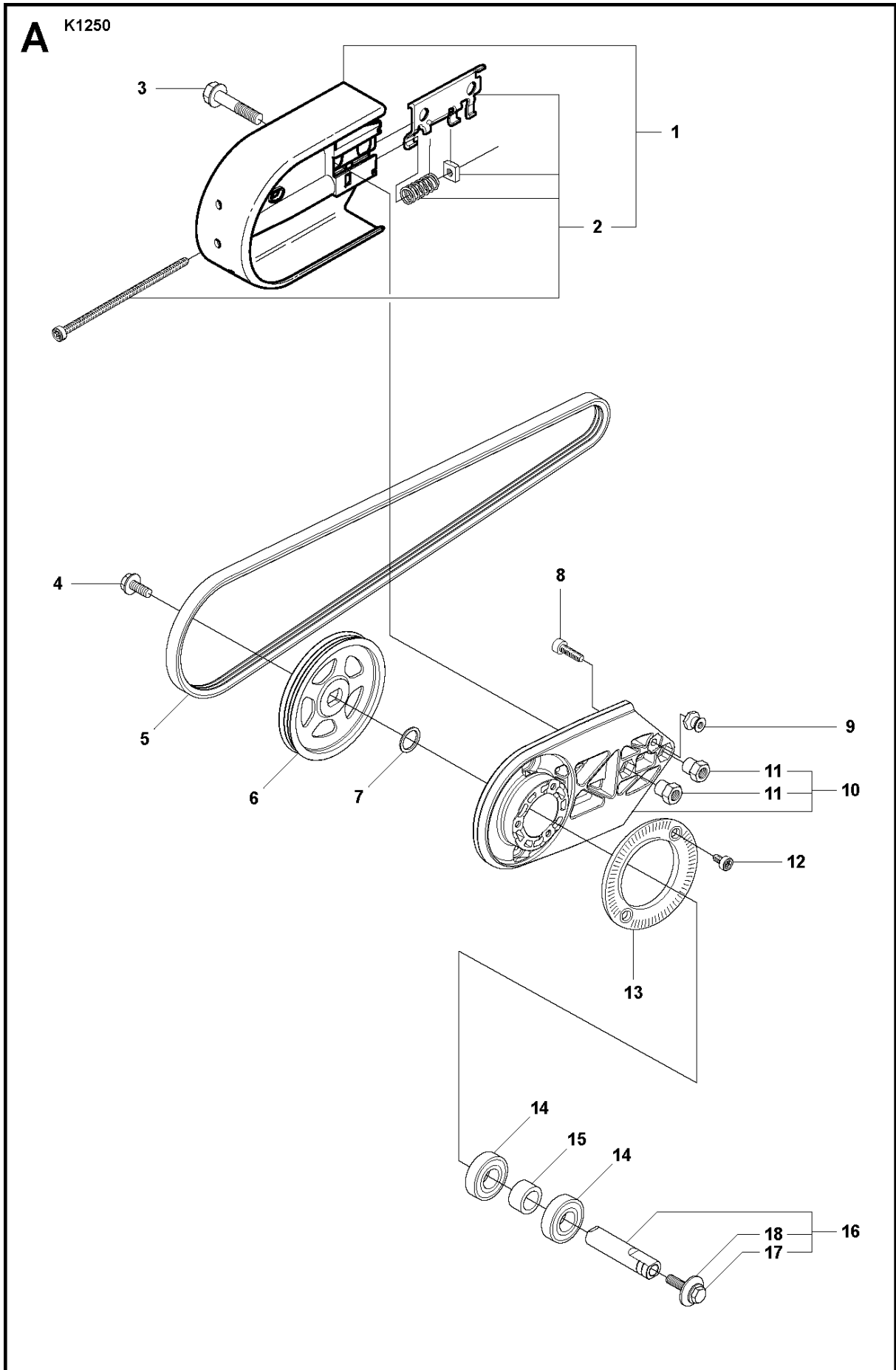




SPARE PARTS LIST

POWER CUTTERS

K1250, 2008-01

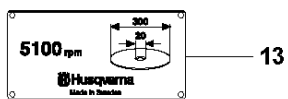
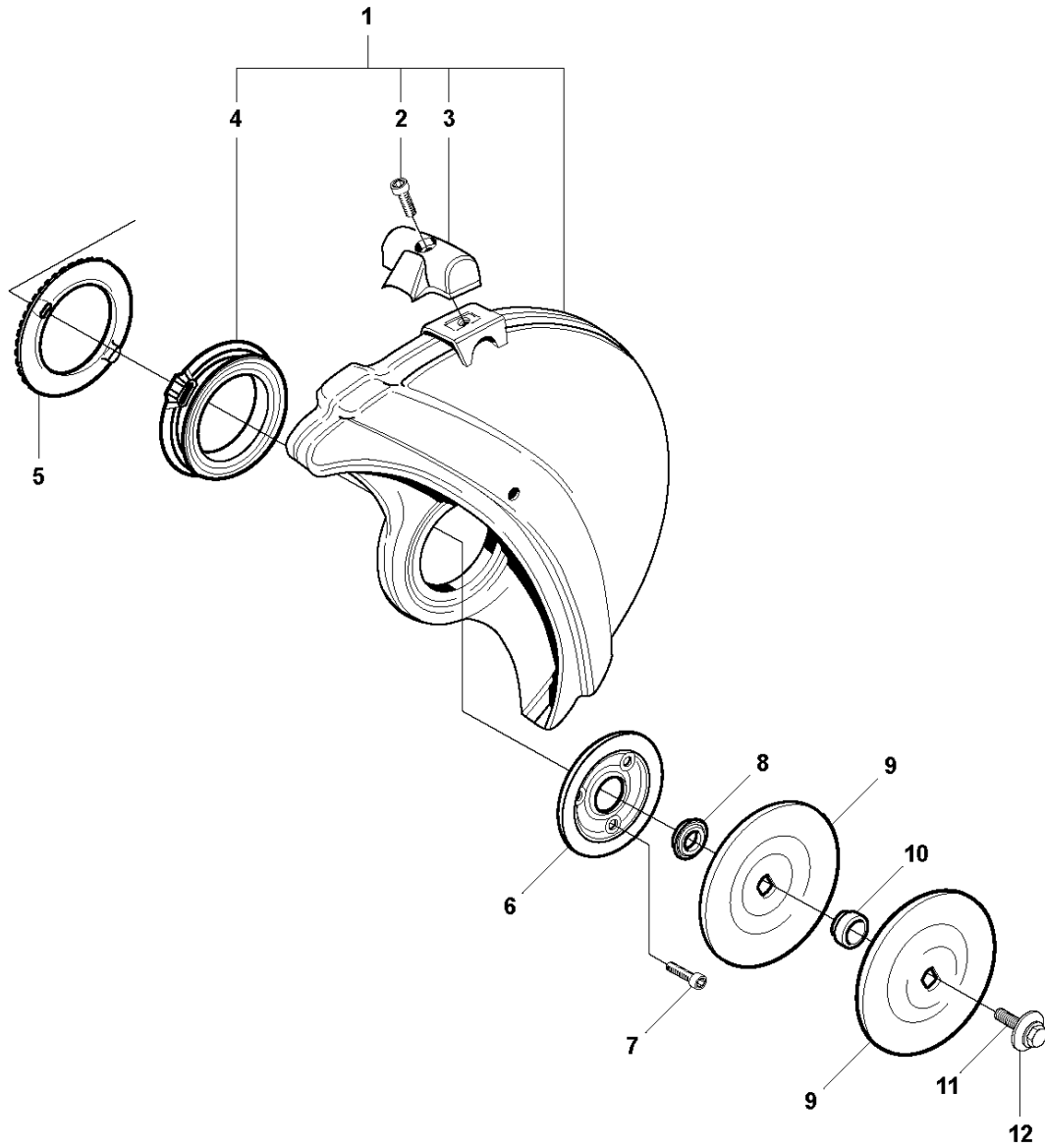


BELT GUARD & PULLEY

K1250, 2008-01

Ref	Part No	Description	Remark	QTY	KIT
1	506 27 92-02	BELT GUARD		1	2
2	506 26 66-03	BELT TENSIONER ASSY		1	
3	506 28 44-01	SCREW EHHFM		2	
4	503 20 00-45	SCREW EHHFM		1	
5	544 97 63-01	BELT		1	
5	506 37 27-21	BELT	"14""	1	
5	506 37 27-28	BELT	"16""	1	
6	544 98 50-01	PULLEY		2	
7	503 23 01-04	WASHER		1	
8	725 53 29-55	SCREW IHSCM		1	
9	506 14 32-01	NUT CAP		1	
10	506 39 42-06	BEARING HOUSING		1	11
11	506 28 73-01	NUT		2	
12	503 20 07-12	SCREW IHSCFM		2	
13	506 28 84-01	SCREEN		1	
14	503 25 21-01	BALL BEARING		2	
15	506 07 08-01	SPACING SLEEVE		1	
16	506 29 83-63	SHAFT		1	"17, 18"
17	506 13 96-01	SCREW EHHFM		1	
18	506 13 95-11	WASHER		1	

B K1250

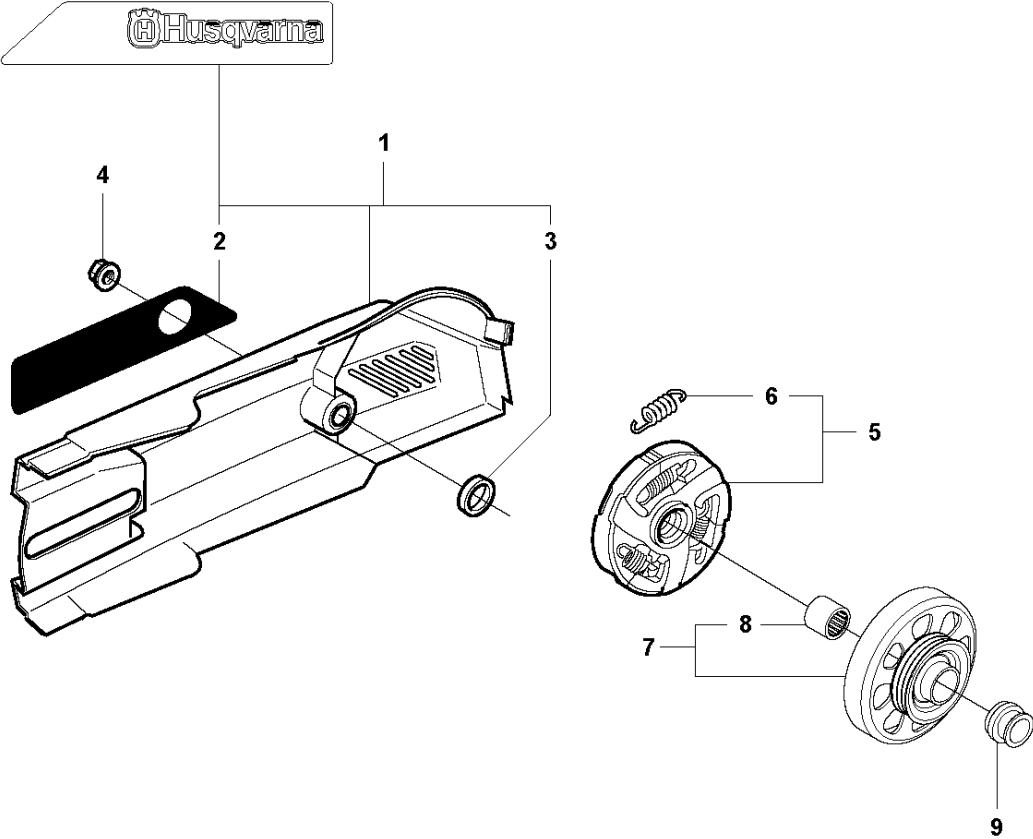


GUARDS

K1250, 2008-01

Ref	Part No	Description	Remark	QTY KIT
1	506 34 05-04	WHEEL GUARD	"14""	1
1	506 34 05-06	GUARD	"16""	1
1	506 34 05-24	WHEEL GUARD ASSY	"RAIL 14""	1
1	506 34 05-26	WHEEL GUARD	"RAIL 16""	1
2	725 53 31-55	SCREW IHSCM		1
3	506 34 46-02	HANDLE		1
4	506 26 63-02	LINING		1
5	506 26 64-01	SCREEN		1
6	506 26 65-01	FLANGE		1
7	725 53 29-55	SCREW IHSCM		3
8	506 32 48-01	SUPPORT FLANGE		1
8	506 26 71-01	SUPPORT FLANGE		1
9	506 02 87-01	FLANGE WASHER		1
9	506 07 09-01	FLANGE WASHER		1
10	506 37 96-20	KIT		1
10	506 37 96-22	KIT		1
10	506 37 96-25	KIT		1
10	506 02 88-30	BUSHING		1
11	506 13 95-11	WASHER		1
12	506 13 96-01	SCREW EHHFM		1
13	506 28 41-12	LABEL		1
13	506 28 41-11	LABEL		1
13	506 28 41-14	LABEL		1
13	506 28 41-22	LABEL		1
13	506 28 41-21	LABEL		1
13	506 28 41-24	LABEL		1

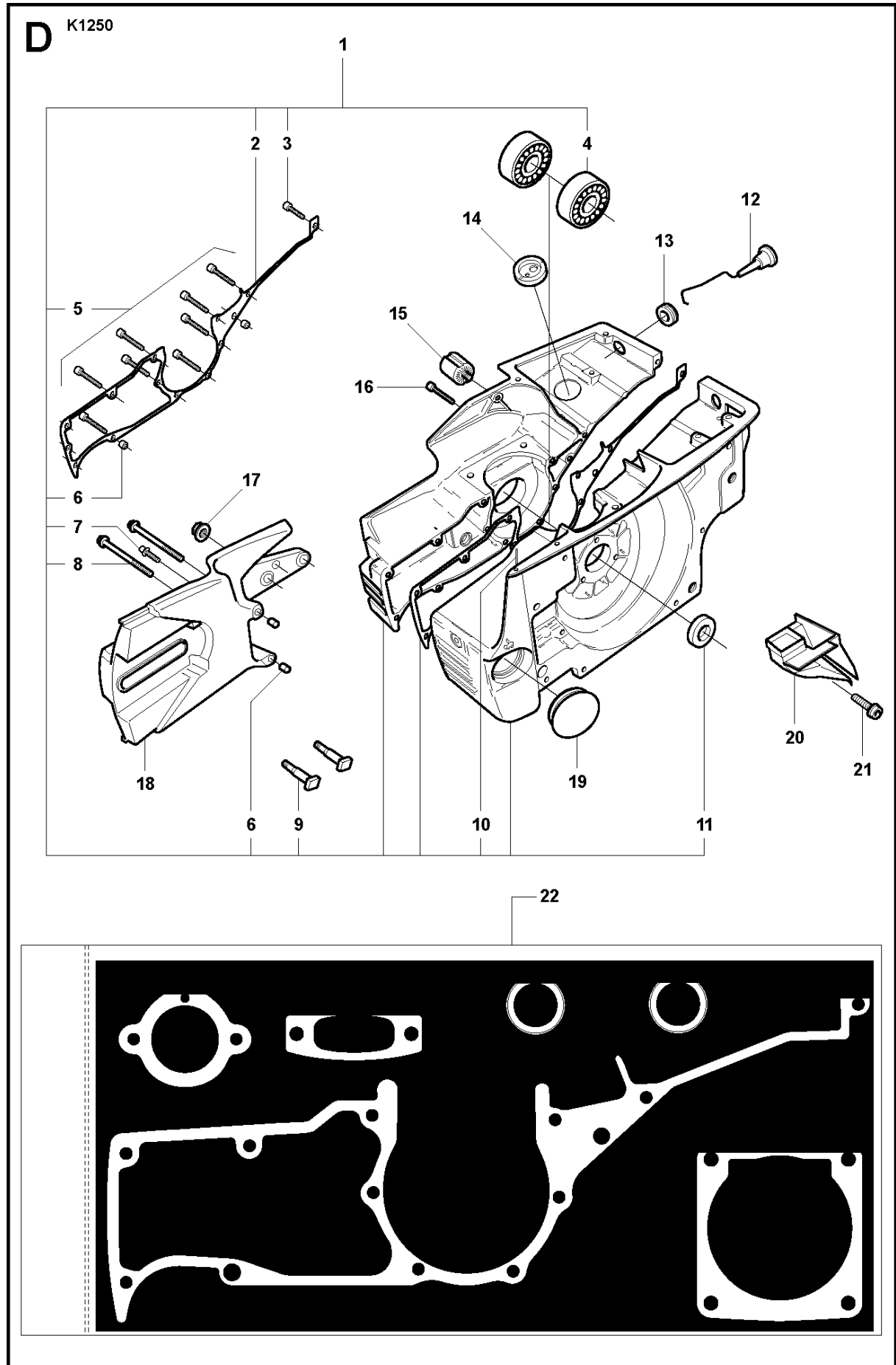
C K1250



BELT GUARD & PULLEY

K1250, 2008-01

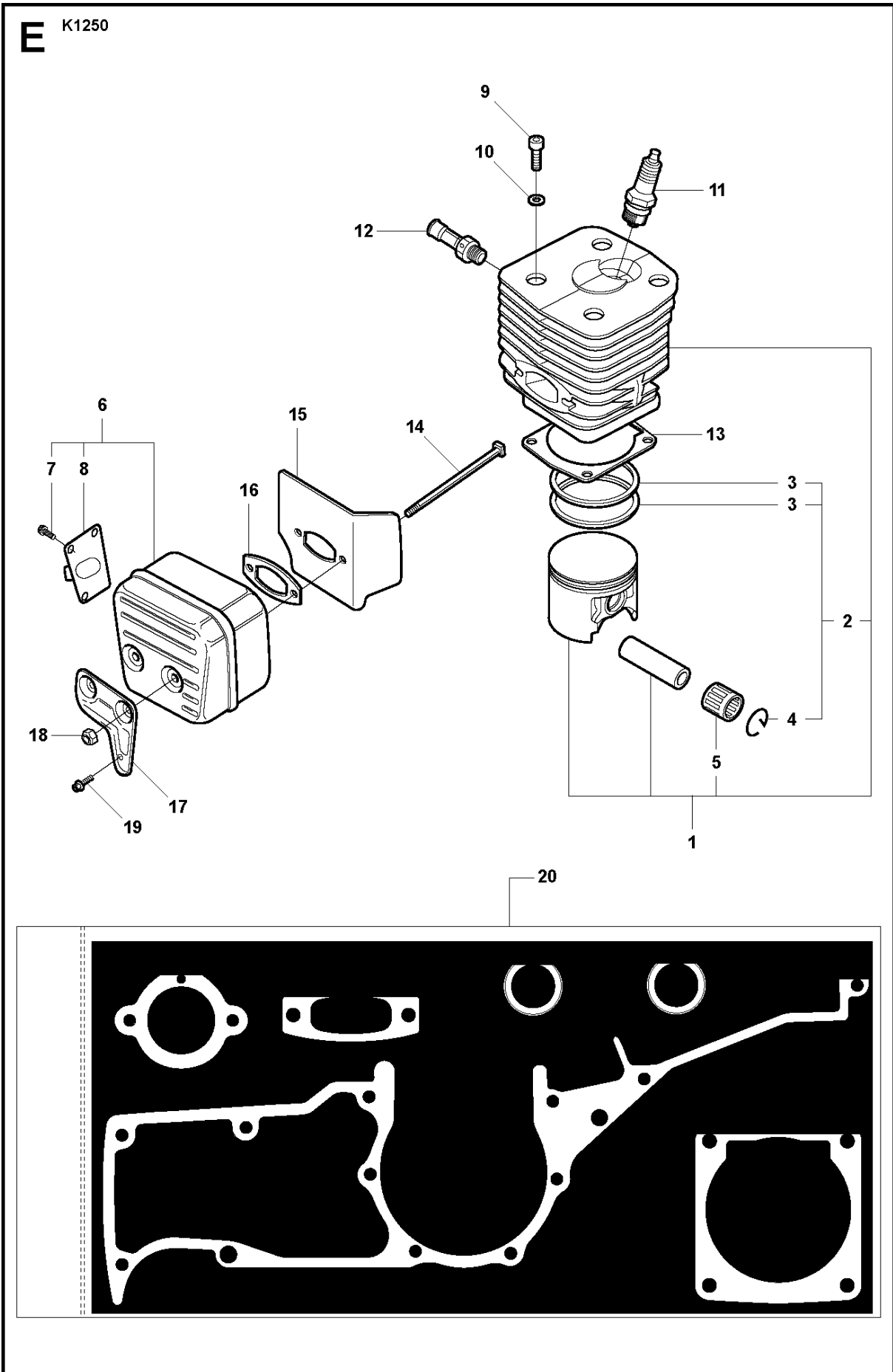
Ref	Part No	Description	Remark	QTY	KIT
1	506 27 17-03	BELT GUARD		1	"2, 3"
2	544 87 36-01	LABEL		1	
3	506 26 84-01	SPACING SLEEVE		1	
4	503 22 00-01	HEXAGON NUT		1	
5	503 14 49-01	CLUTCH ASSY		1	6
6	503 14 51-01	CLUTCH SPRING		3	
7	540 05 28-01	DRIVING PULLEY ASSY	"14""	1	8
7	540 05 28-03	DRIVE SPROCKET	"16""	1	8
7	506 25 49-01	GEAR WHEEL ASSY	"RAIL 14""	1	8
7	506 25 49-03	GEAR WHEEL ASSY	"RAIL 16""	1	8
8	503 25 38-01	NEEDLE BEARING		1	
9	506 28 59-01	SPACING SLEEVE		1	



CRANKCASE

K1250, 2008-01

Ref	Part No	Description	Remark	QTY	KIT
1	501 89 25-72	CRANKCASE		1	"2, 3, 4-11"
2	503 13 45-01	CRANKCASE		1	22
3	725 53 31-55	SCREW IHSCM		3	
4	503 25 00-02	BALL BEARING		2	
5	725 53 39-55	SCREW IHSCM		9	
6	501 27 08-01	GUIDE BUSHING		4	
7	503 20 02-20	SCREW IHSCFM		1	
8	503 20 02-65	SCREW IHSCFM		2	
9	501 81 57-01	BAR BOLT		2	
10	721 42 06-00	SPRING PIN		1	
11	503 26 02-05	SEALING RING		2	22
12	506 25 43-01	CHOKE CONTROL		1	
13	503 14 54-02	GROMMET		1	
14	503 13 20-01	GROMMET		1	
15	501 26 97-04	ANTIVIBRATION ELEMENT		1	
16	725 53 70-55	SCREW IHSCM		1	
17	503 22 00-01	HEXAGON NUT		1	
18	506 24 14-02	CUTTER ARM		1	
19	506 26 97-02	PLUG		1	
20	506 23 70-01	AIR NOZZLE		1	
21	503 20 02-12	SCREW IHSCFM		1	
22	506 29 24-02	GASKET KIT		1	
23	506 27 43-01	GASKET		1	
24	503 13 13-04	GASKET		1	
25	503 13 46-01	GASKET		1	

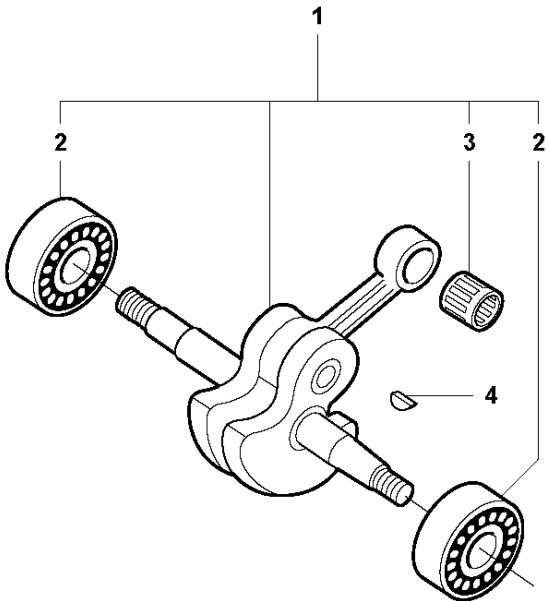


CYLINDER

K1250, 2008-01

Ref	Part No	Description	Remark	QTY	KIT
1	506 29 42-71	CYLINDER ASSY		1	"2, 3, 4, 5"
2	501 89 41-03	PISTON ASSY		1	"3, 4"
3	503 28 90-26	PISTON RING		1	
4	737 44 13-00	CIRCLIP		2	
5	503 13 29-01	NEEDLE HOLDER		2	
6	503 13 00-04	MUFFLER ASSY		1	"7, 8"
7	729 53 40-01	SCREW CCRPANT		4	
8	506 27 49-01	EXHAUST DUCT		1	
9	503 21 60-25	SCREW		4	
10	503 23 00-05	WASHER		4	
11	503 23 51-09	SPARK PLUG	RCJ6Y	1	
12	503 66 56-01	DECOMPRESSION VALVE		1	
13	503 13 46-01	GASKET		1	20
14	503 21 64-01	SCREW		2	
15	506 34 14-01	COOLING AIR CONDUCTOR		1	
16	503 13 13-04	GASKET		1	20
17	506 27 87-01	SUPPORT		1	
18	503 22 20-07	LOCK NUT		2	
19	725 53 68-55	SCREW IHSCM		1	
20	506 29 24-02	GASKET KIT		1	
21	506 27 43-01	GASKET		1	
22	503 13 45-01	CRANKCASE		1	
23	503 26 02-05	SEALING RING		2	

F K1250

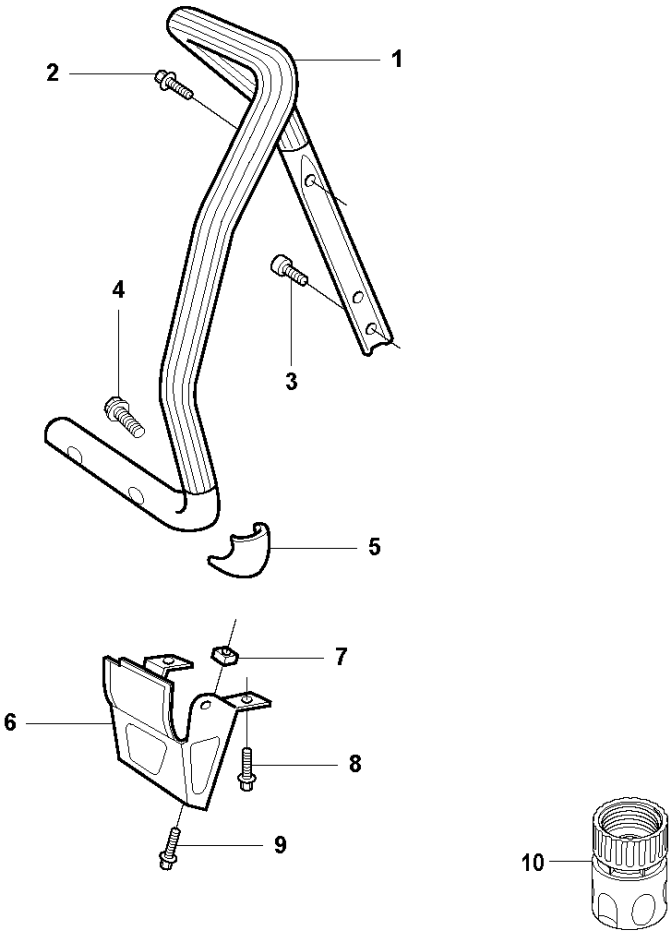


CRANKSHAFT

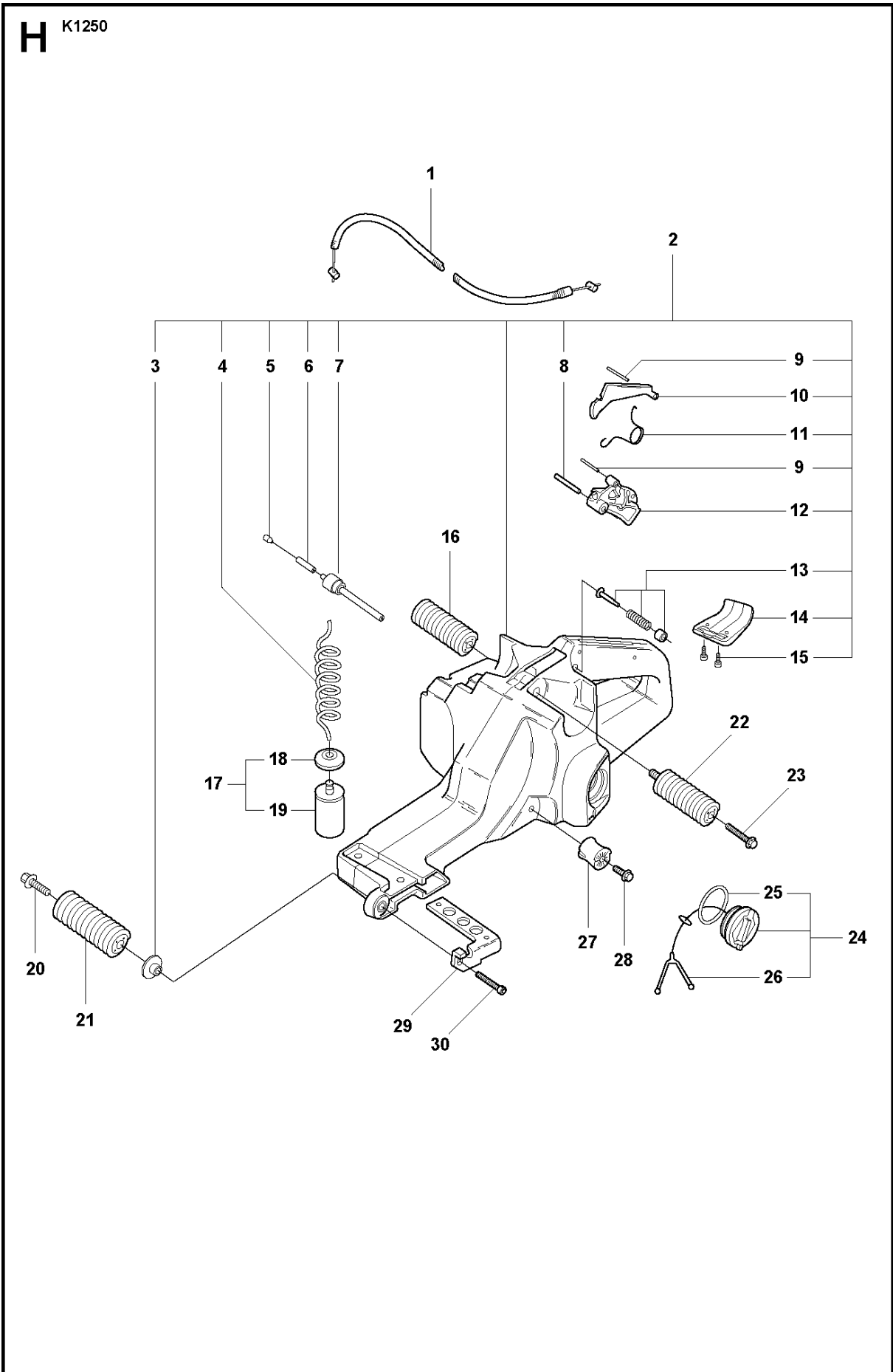
K1250, 2008-01

Ref	Part No	Description	Remark	QTY	KIT
1	503 14 20-73	CRANKSHAFT ASSY		1	"2, 3"
2	503 25 00-02	BALL BEARING		2	
3	503 13 29-01	NEEDLE HOLDER		1	
4	735 88 06-00	WOODRUFF KEY		1	

G K1250



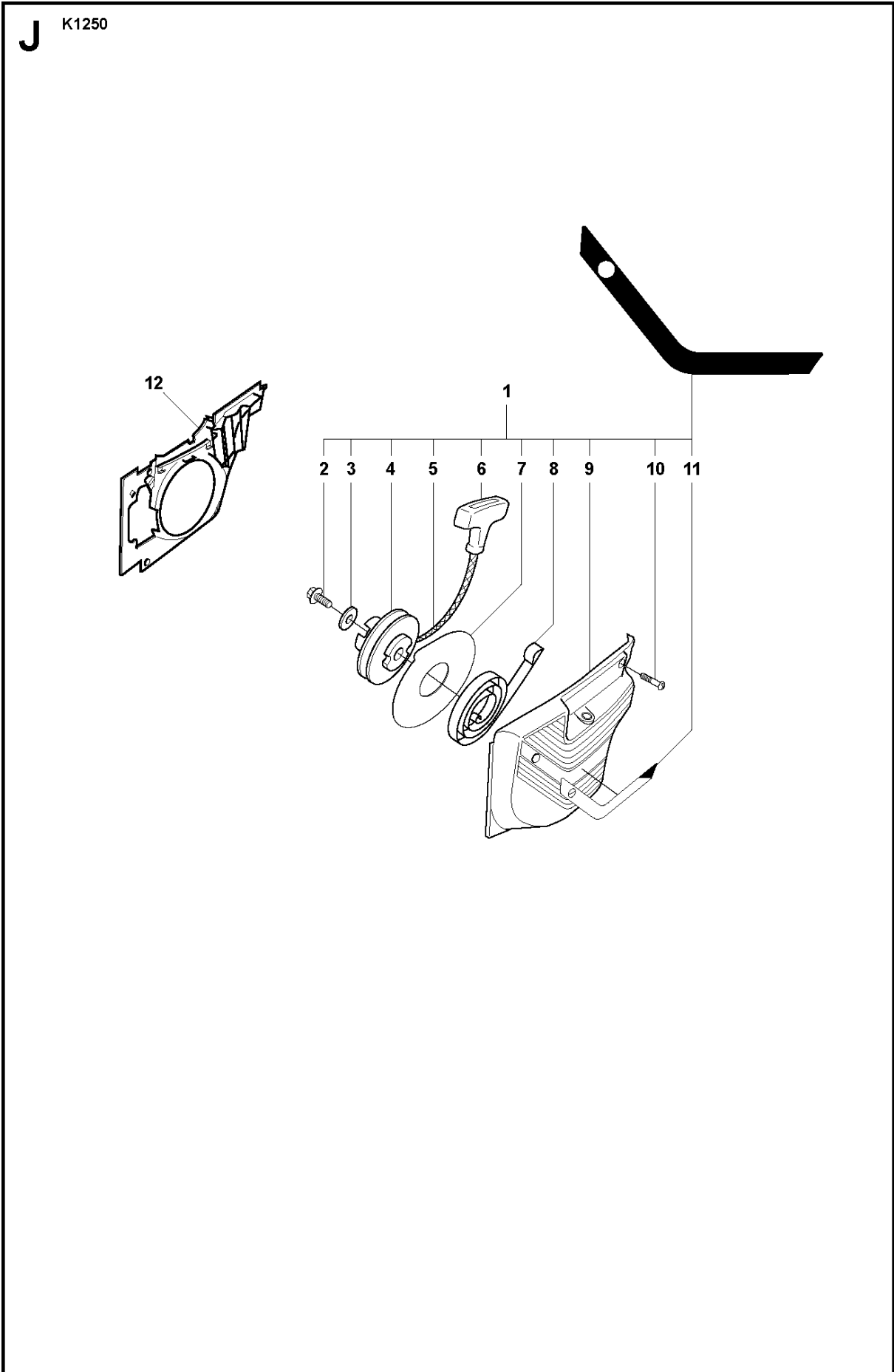
Ref	Part No	Description	Remark	QTY KIT
1	506 25 53-02	HANDLE		1
2	503 20 02-10	SCREW IHSCFM		1
3	503 21 05-25	SCREW IHSCM		2
4	503 21 06-32	SCREW IHSCM		4
5	506 14 90-01	SUPPORT		1
6	506 25 01-01	GROUND SUPPORT		1
7	503 22 65-04	SQUARE NUT		2
8	725 53 70-55	SCREW IHSCM		2
9	503 20 03-12	SCREW IHSCFM		2
10	503 26 60-02	COUPLER		1



FUEL TANK & HANDLE

K1250, 2008-01

Ref	Part No	Description	Remark	QTY	KIT
1	506 28 98-01	THROTTLE CABLE ASSY		1	
2	503 14 21-06	TANK UNIT ASSY		1	"3, 4, 5-15"
3	503 14 08-01	BUSHING		1	
4	503 57 76-02	FUEL HOSE		1	
5	504 35 72-01	PLUG		1	
6	501 76 83-04	FUEL HOSE		1	
7	506 29 39-01	TANK VENT		1	
8	720 12 78-06	PARALLEL PIN		1	
9	720 12 40-20	PARALLEL PIN		1	
10	503 13 16-01	THROTTLE LOCKOUT		1	
11	503 13 18-01	SPRING		1	
12	503 13 36-01	THROTTLE CONTROL ASSY		1	
13	503 14 23-01	PIN		1	
14	506 23 34-01	SUPPORT		1	
15	503 21 45-16	SCREW CRCSFT		2	
16	503 13 26-01	ANTIVIBRATION ELEMENT		1	
17	506 26 41-11	FUEL FILTER		1	"18, 19"
18	506 27 11-01	HOSE CLAMP		1	
19	506 26 41-01	FUEL FILTER		1	
20	503 20 02-25	SCREW IHSCFM		1	
21	503 13 27-01	ANTIVIBRATION ELEMENT		1	
22	503 13 25-01	ANTIVIBRATION ELEMENT		1	
23	725 53 68-55	SCREW IHSCM		2	
24	506 25 59-03	TANK CAP ASSY		1	"25, 26"
25	506 29 21-01	GASKET		1	
26	503 57 89-01	HOLDER		1	
27	501 81 47-01	ANTIVIBRATION ELEMENT		1	
28	503 20 02-12	SCREW IHSCFM		1	
29	503 14 05-01	BRACKET		1	
30	503 20 02-30	SCREW IHSCFM		1	

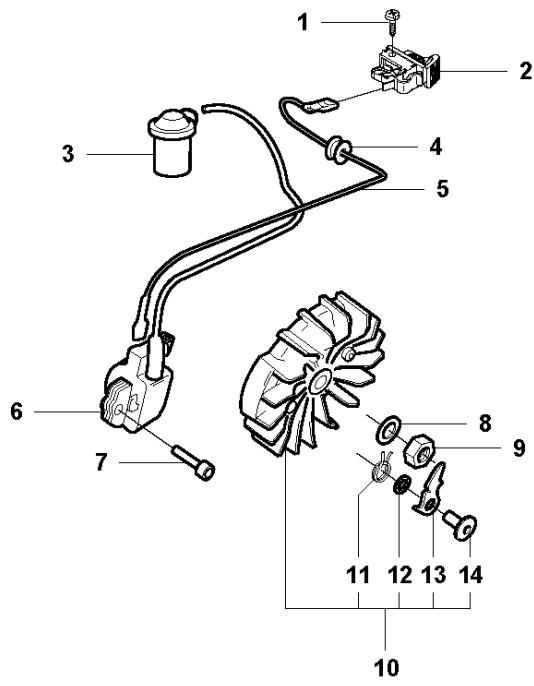


STARTER

K1250, 2008-01

Ref	Part No	Description	Remark	QTY	KIT
1	506 27 55-02	STARTER		1	"2, 3, 4-11"
2	503 21 06-16	SCREW IHSCT		1	
3	503 23 43-02	WASHER		1	
4	501 89 67-01	STARTER PULLEY		1	
5	506 33 56-25	STARTER CORD		1	
6	503 12 79-01	STARTER HANDLE		1	
7	503 74 36-01	DISC		1	
8	503 13 50-01	RECOIL SPRING		1	
9	506 25 58-02	STARTER COVER		1	
10	503 20 34-25	SCREW CCRPANMO		4	
11	544 87 35-01	LABEL		1	
12	501 89 59-02	AIR CONDUCTOR	A	1	
12	501 89 59-03	AIR CONDUCTOR	RAIL	1	

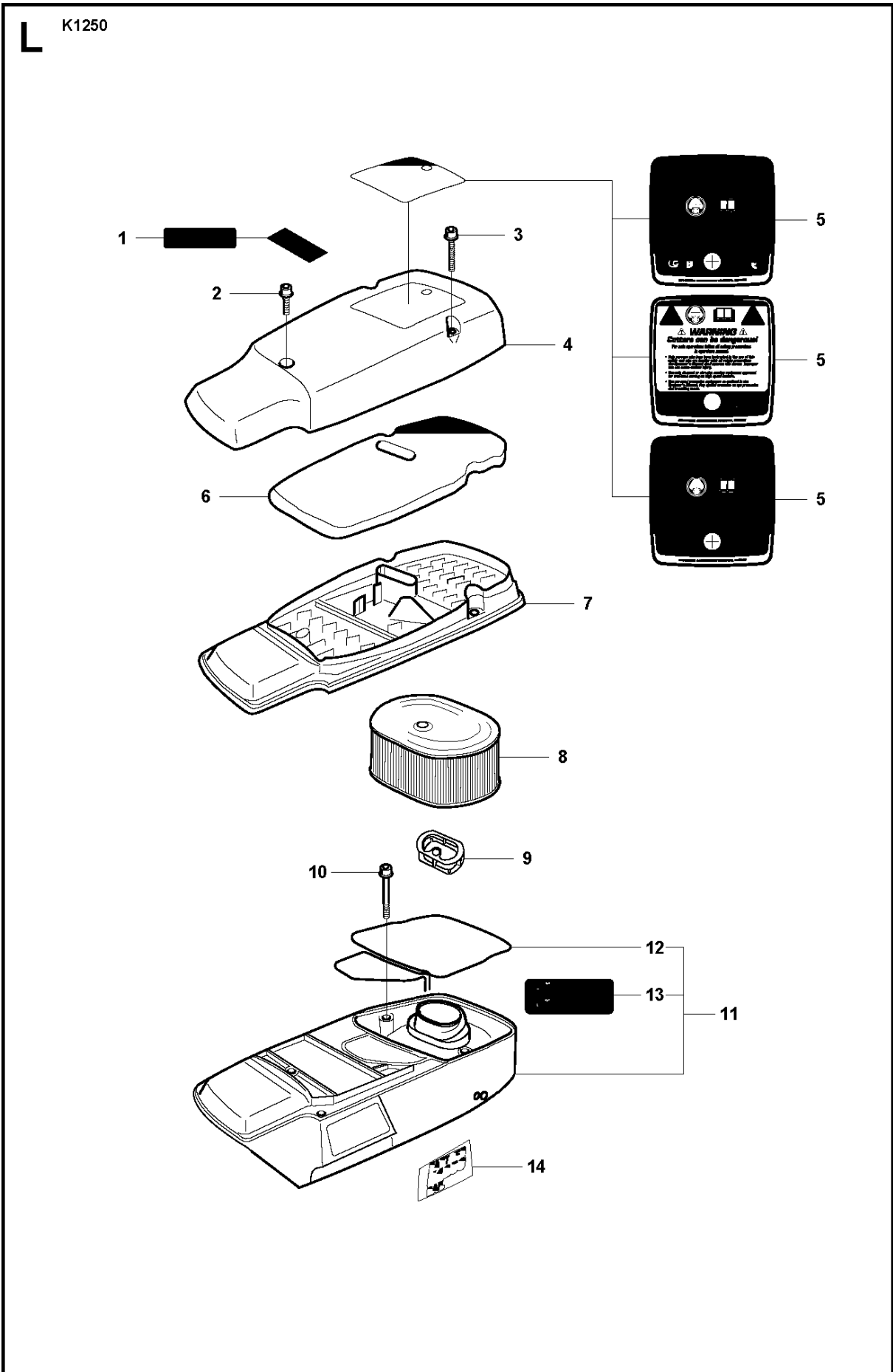
K K1250



IGNITION SYSTEM

K1250, 2008-01

Ref	Part No	Description	Remark	QTY	KIT
1	503 21 90-08	SCREW CCRPANM		1	
2	506 31 86-02	STOP SWITCH		1	
3	501 48 54-02	SPARK PLUG CAP		1	
4	503 13 24-01	CABLE GROMMET		1	
5	501 83 98-03	CABLE		1	
6	544 01 88-01	IGNITION SYSTEM		1	
7	503 20 25-20	SCREW IHSCM		1	
8	735 11 73-50	SPRING WASHER		1	
9	503 22 10-03	HEXAGON NUT		1	
10	501 89 50-03	FLYWHEEL ASSY		1	"2, 3, 4, 5"
11	501 63 48-01	SPRING		2	
12	503 23 00-42	WASHER		2	
13	501 67 32-03	PAWL		2	
14	501 81 99-01	SCREW		2	

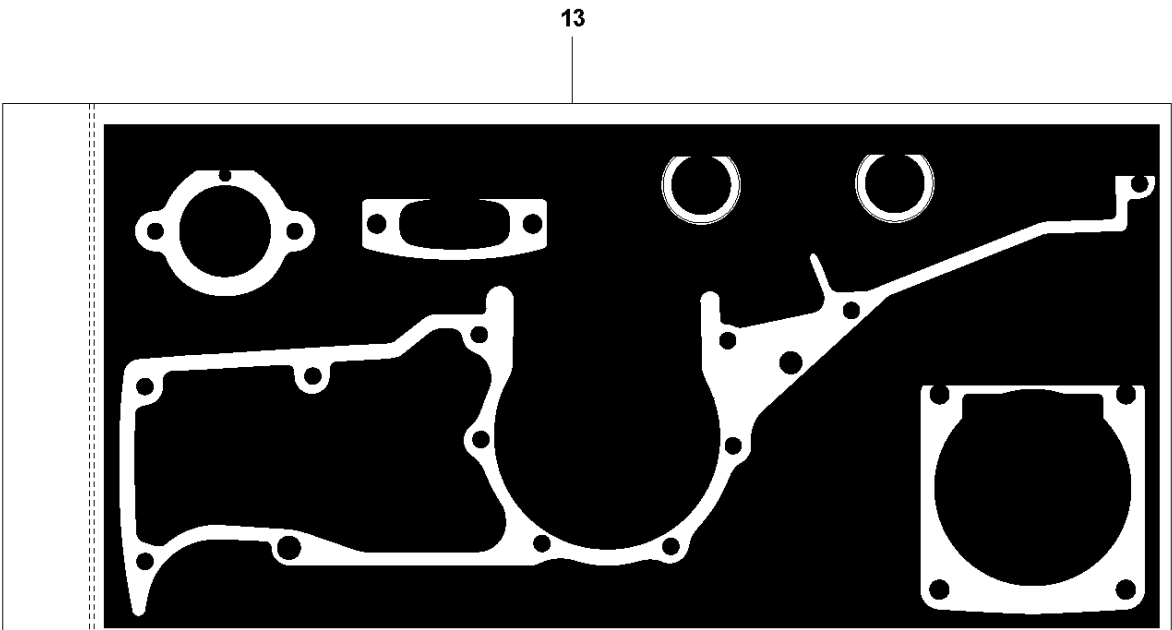
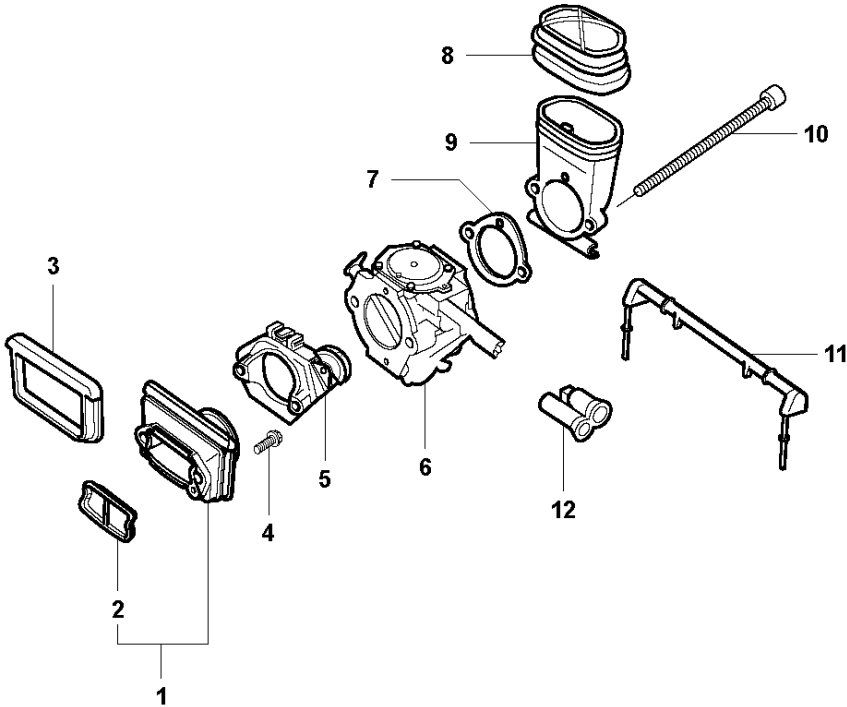


CYLINDER COVER

K1250, 2008-01

Ref	Part No	Description	Remark	QTY	KIT
1	544 87 46-02	LABEL		1	
2	503 20 34-25	SCREW CCRPANMO		1	
3	503 20 34-55	SCREW CCRPANMO		2	
4	506 25 56-02	FILTER COVER		1	
5	544 87 44-02	LABEL	CE	1	
5	544 87 44-03	LABEL	EPA CANADA	1	
5	544 87 44-04	LABEL	EPA USA	1	
6	506 26 87-01	PREFILTER		1	
7	506 25 57-02	FILTER BOTTOM		1	
8	506 23 18-03	LUFTFILTER PAPPER		1	
9	506 25 03-01	INSERT		1	
10	503 20 02-30	SCREW IHSCFM		4	
11	506 27 54-02	CYLINDER COVER		1	"2, 3, 4"
12	506 28 39-30	SEALING		1	
13	544 87 38-01	LABEL		1	
14	544 87 39-01	LABEL	K1250	1	
14	544 87 39-02	LABEL	K1250 RAIL	1	

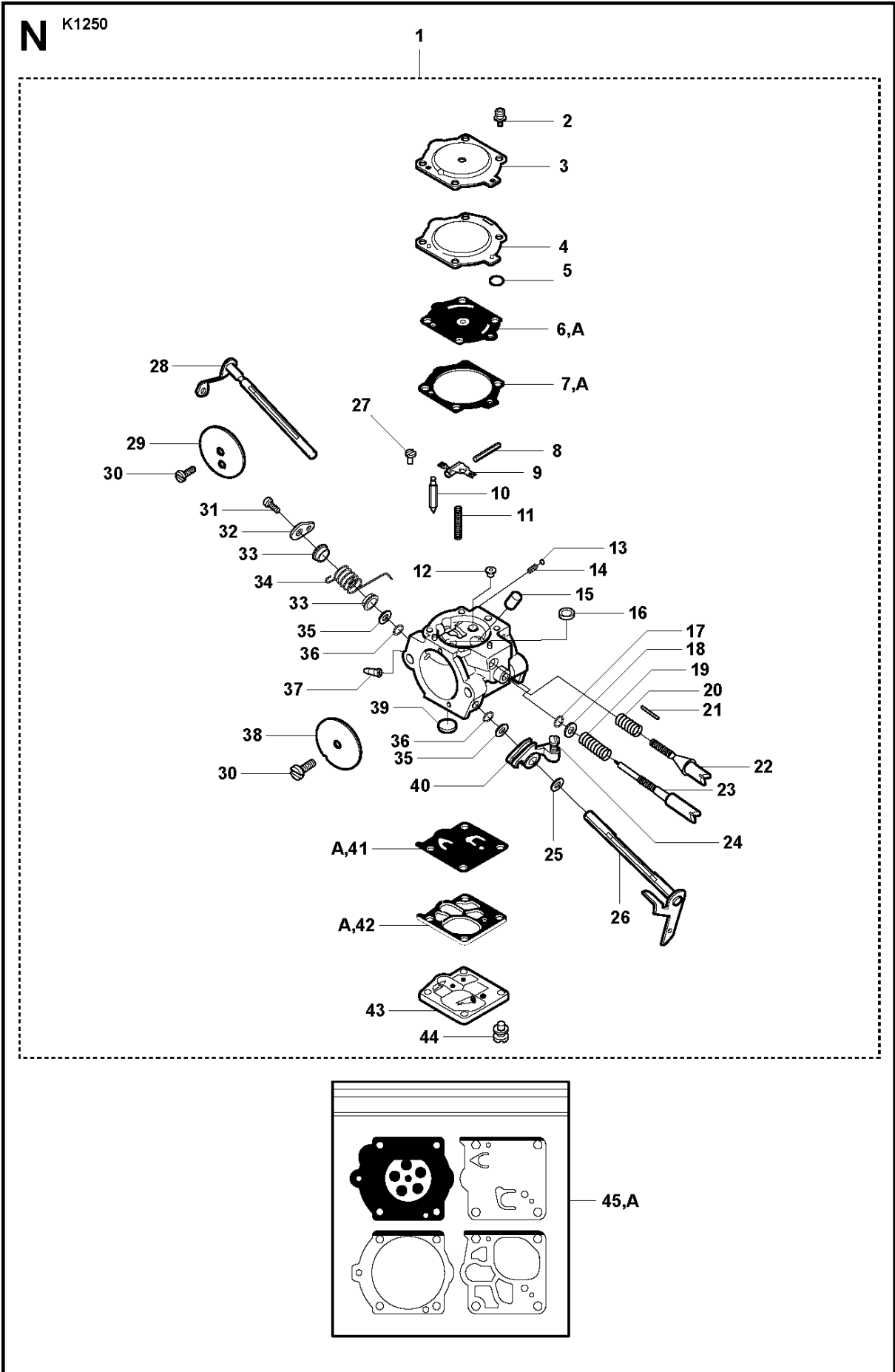
M K1250



CARBURETOR

K1250, 2008-01

Ref	Part No	Description	Remark	QTY	KIT
1	506 24 10-71	INLET PIPE		1	2
2	506 31 38-01	INSERT		1	
3	503 14 37-01	SEALING		1	
4	503 20 02-20	SCREW IHSCFM		1	
5	506 28 97-01	FLANGE		1	
6	503 28 12-17	CARBURETTOR		1	
7	506 27 43-01	GASKET		1	13
8	506 25 02-01	BELLOWS		1	
9	506 24 13-01	INLET BEND		1	
10	503 21 75-65	SCREW IHSCFT		2	
11	506 25 04-01	SUPPORT		1	
12	506 25 46-01	CHISEL GUIDE		1	
13	506 29 24-02	GASKET KIT		1	
14	503 13 13-04	GASKET		1	
15	503 26 02-05	SEALING RING		2	
16	503 13 45-01	CRANKCASE		1	
17	503 13 46-01	GASKET		1	

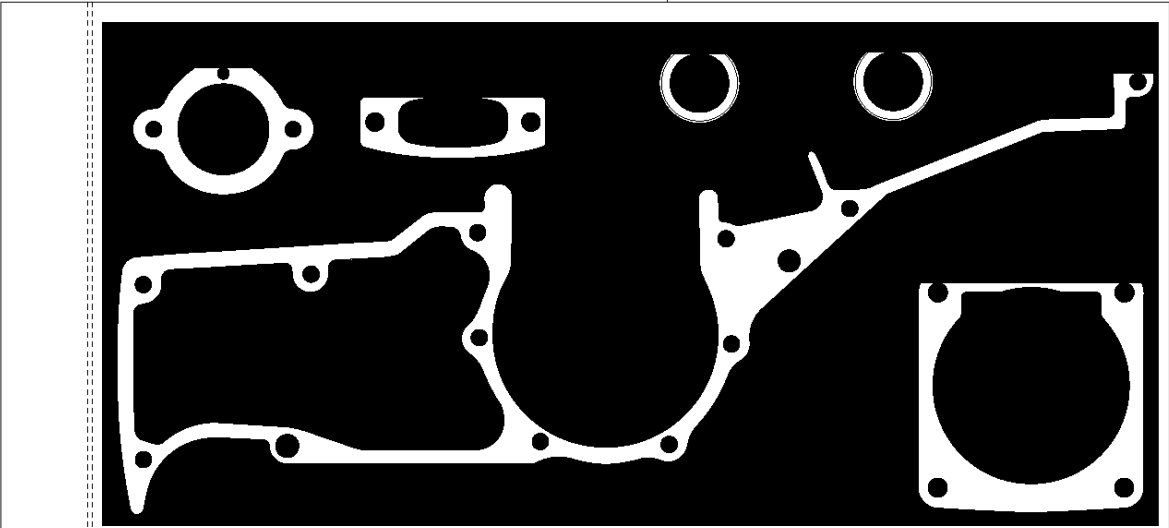
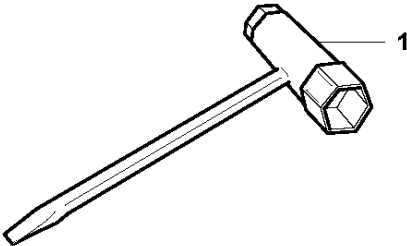


CARBURETOR

K1250, 2008-01

Ref	Part No	Description	Remark	QTY	KIT
1	503 28 12-17	CARBURETTOR		1	
2	537 00 31-01	SCREW		1	
3	501 69 28-01	COVER		1	
4	537 00 29-01	COVER		1	
5	537 00 28-01	RING		1	
6	503 63 28-01	DIAPHRAGM ASSY		1	45
7	501 46 75-01	GASKET		1	45
8	505 31 67-31	PIN		1	
9	505 31 67-34	LEVER		1	
10	503 56 34-01	NEEDLE VALVE		1	
11	505 31 67-23	SPRING		1	
12	537 15 34-01	JET		1	
13	501 46 85-01	BALL		1	
14	501 46 84-01	SPRING		1	
15	503 97 66-01	NOZZLE ASSY		1	
16	503 57 42-01	PLUG		1	
17	503 59 55-01	O-RING		1	
18	503 59 72-01	WASHER		1	
19	505 31 67-37	SPRING		1	
20	503 63 31-01	SPRING		1	
21	503 52 60-01	PIN THROTTLE STOP		1	
22	503 63 29-01	SCREW IDLE SPEED		1	
23	503 63 32-01	NEEDLE IDLE SPEED		1	
24	503 59 65-01	SCREW		1	
25	506 02 83-01	WASHER		1	
26	503 59 59-01	SHAFT ASSY		1	
27	505 31 67-17	SCREW		1	
28	537 00 30-01	SHAFT ASSY		1	
29	503 52 58-01	VALVE CHOKE		1	
30	530 03 50-15	SCREW		2	
31	503 19 22-01	SCREW PAN HD(M2.5X5)		1	
32	503 59 56-01	LEVER		1	
33	502 10 31-01	BUSHING		2	
34	503 52 59-01	SPRING THROTT RETURN		1	
35	505 31 67-48	WASHER		2	
36	503 56 45-01	SEAL		2	
37	503 59 84-01	FITTING		1	
38	503 63 24-01	VALVE THROTTLE		1	
39	501 66 61-01	SCREEN		1	
40	503 59 57-01	LEVER		1	
41	503 11 73-01	DIAPHRAGM PUMP		1	45
42	503 11 72-01	GASKET		1	45
43	503 59 58-01	COVER		1	
44	503 11 75-01	SCREW		1	
45	503 59 74-02	GASKET KIT		1	

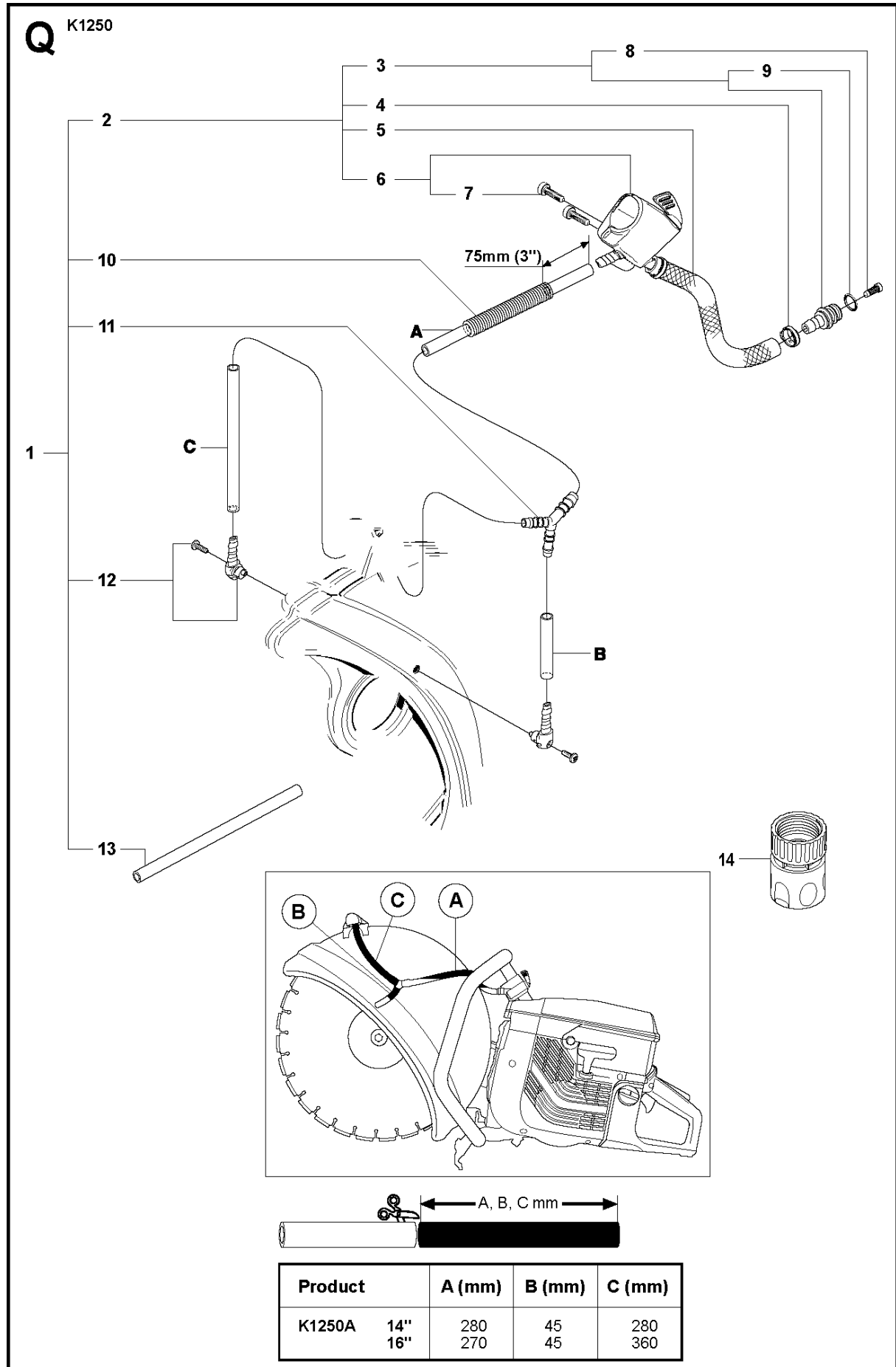
P K1250
Accessories



ACCESSORIES

K1250, 2008-01

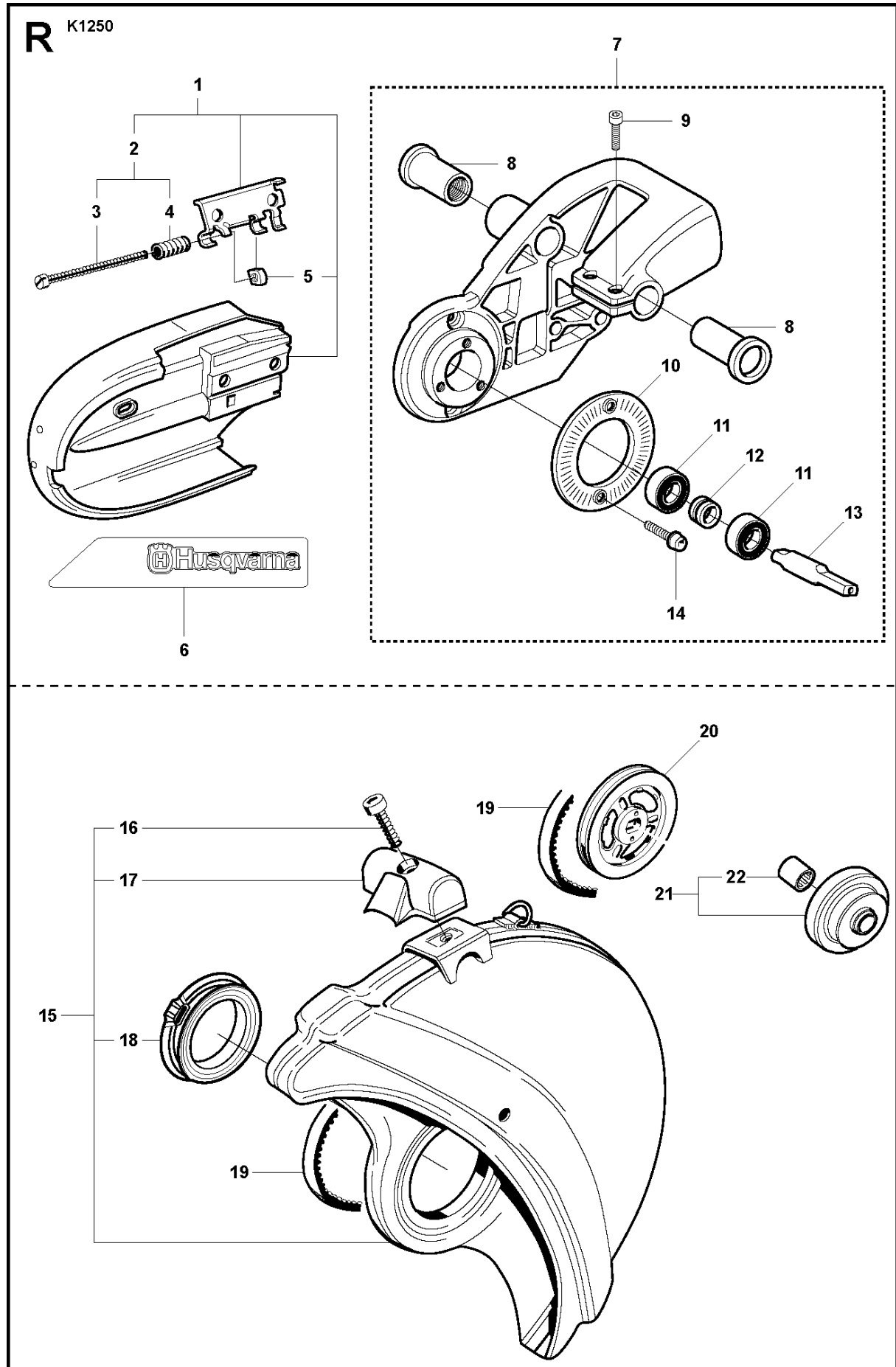
Ref	Part No	Description	Remark	QTY KIT
1	501 69 17-02	COMBINATION WRENCH		1
2	506 29 24-02	GASKET KIT		1
3	506 27 43-01	GASKET		1
4	503 13 13-04	GASKET		1
5	503 26 02-05	SEALING RING		2
6	503 13 45-01	CRANKCASE		1
7	503 13 46-01	GASKET		1



VALVES

K1250, 2008-01

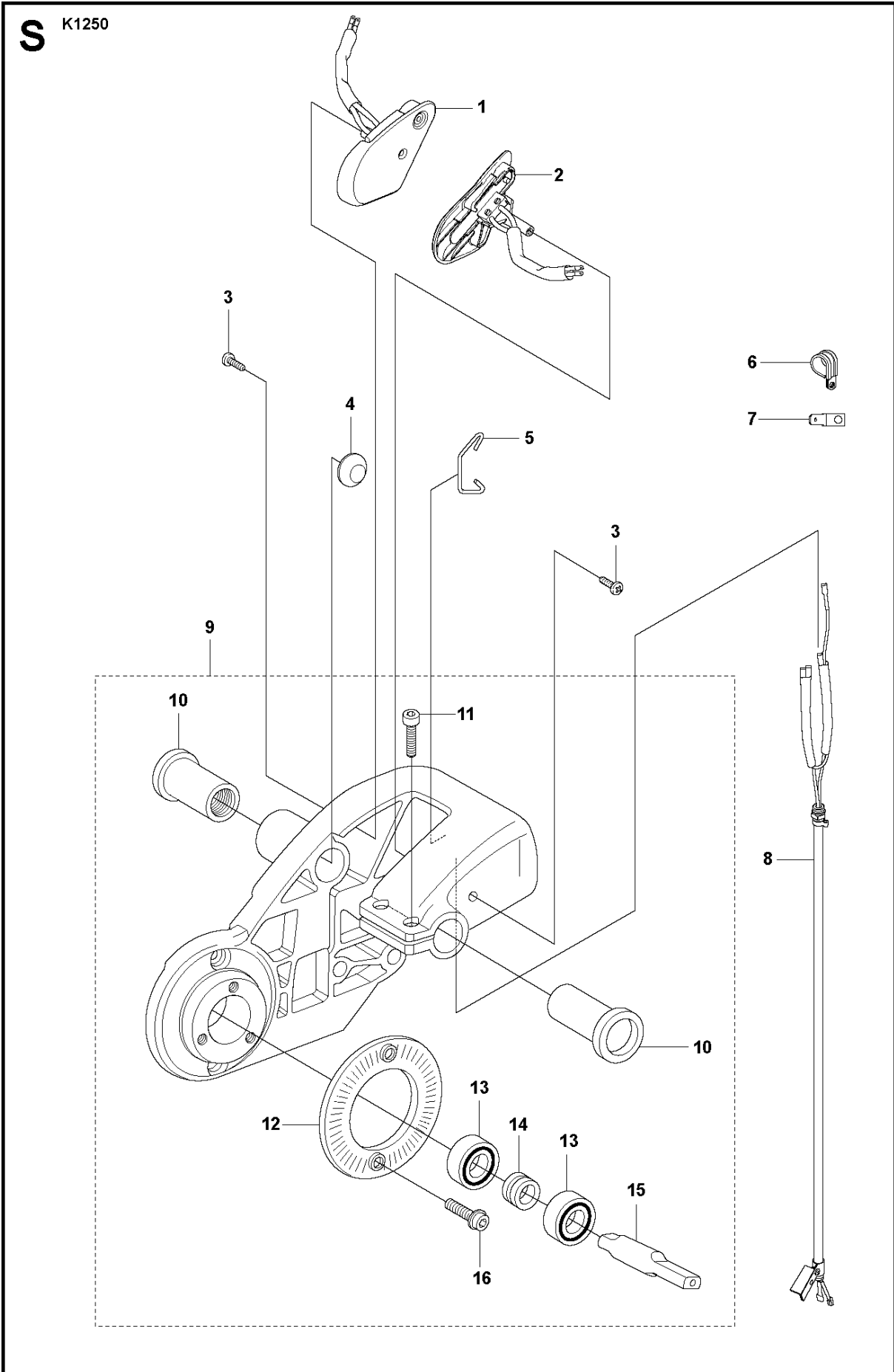
Ref	Part No	Description	Remark	QTY	KIT
1	544 00 31-03	HOSE KIT		1	"2, 10, 11-13"
2	506 32 90-21	VALVE ASSY		1	"3, 4, 5, 6"
3	506 29 57-02	NIPPLE		1	8
4	506 09 56-02	HOSE CLAMP		1	
5	506 09 75-02	HOSE		1	
6	506 31 77-31	VALVE ASSY		1	7
7	503 21 06-19	SCREW IHSCT		1	
8	506 29 88-01	FILTER		1	
9	503 26 30-21	O-RING		1	
10	506 35 27-01	PROTECTIVE SPRING		1	
11	506 32 87-01	Y-TUBE		1	
12	506 29 56-01	NIPPLE		1	
13	506 09 58-24	HOSE		1	
14	503 26 60-02	COUPLER		1	



BELT GUARD & PULLEY

K1250, 2008-01

Ref	Part No	Description	Remark	QTY	KIT
1	506 27 92-03	BELT GUARD	"RAIL 14""	1	"2, 5"
1	506 27 92-04	BELT GUARD	"RAIL 16""	1	"2, 5"
2	506 26 66-03	BELT TENSIONER ASSY		1	"3, 4"
3	503 20 30-11	SCREW SLCHM		1	
4	506 26 68-01	COMPRESSION SPRING		1	
5	503 22 66-01	SQUARE NUT		1	
6	544 87 36-01	LABEL		1	
7	544 88 75-01	BEARING HOUSING	"RAIL 14""	1	"8, 9, 10-14"
7	544 88 75-03	BEARING HOUSING	"RAIL 16""	1	"8, 9, 10-14"
7	544 88 75-05	BEARING HOUSING	"RAIL 16"" USA"	1	"8, 9, 10-14"
8	506 22 75-01	SLEEVE		2	
9	503 20 02-16	SCREW IHSCFM		2	
10	506 28 84-01	SCREEN		1	
11	503 25 21-01	BALL BEARING		2	
12	503 20 07-12	SCREW IHSCFM		2	
13	506 07 08-01	SPACING SLEEVE		1	
14	506 29 83-63	SHAFT		1	
15	506 34 05-24	WHEEL GUARD ASSY	"RAIL 14""	1	"16, 17, 18"
15	506 34 05-26	WHEEL GUARD	"RAIL 16""	1	"16, 17, 18"
16	725 53 31-55	SCREW IHSCM		1	
17	506 34 46-02	HANDLE		1	
18	506 26 63-02	LINING		1	
19	506 37 27-21	BELT	"RAIL 14""	1	
19	506 37 27-28	BELT	"RAIL 16""	1	
20	506 07 18-02	PULLEY		1	
21	506 25 49-01	GEAR WHEEL ASSY	"RAIL 14""	1	22
21	506 25 49-03	GEAR WHEEL ASSY	"RAIL 16""	1	22
22	503 25 38-01	NEEDLE BEARING		1	



CONTROLS

K1250, 2008-01

Ref	Part No	Description	Remark	QTY	KIT
1	506 35 91-04	STOP SWITCH	LH	2	
2	506 35 91-03	STOP SWITCH	RH	1	
3	729 53 27-71	SCREW CRPANT		1	
4	506 35 96-01	SPACING BLOCK		1	
6	505 63 58-01	SPRING		1	
7	535 03 94-01	CONNECTION		1	
8	506 35 90-01	WIRING		1	
9	544 88 75-02	BEARING HOUSING	"RAIL 14""	1	"10, 11, 12-16"
9	544 88 75-04	BEARING HOUSING	"RAIL 16""	1	"10, 11, 12-16"
10	506 22 75-01	SLEEVE		2	
11	503 20 02-16	SCREW IHSCFM		2	
12	506 28 84-01	SCREEN		1	
13	503 25 21-01	BALL BEARING		2	
14	506 07 08-01	SPACING SLEEVE		1	
15	506 29 83-63	SHAFT		1	
16	503 20 07-12	SCREW IHSCFM		2	