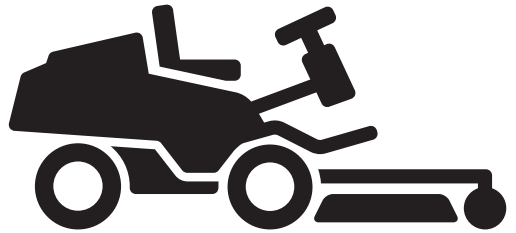




Husqvarna®



P 524, P 524EFI

EN	Operator's manual	2-48
ES	Manual de usuario	49-99
IT	Manuale dell'operatore	100-149
PT	Manual do utilizador	150-200

Contents

Introduction.....	2	Technical data.....	44
Safety.....	9	Accessories.....	47
Assembly.....	14	Service.....	47
Operation.....	16	Warranty.....	47
Maintenance.....	21	EC Declaration of Conformity.....	48
Troubleshooting.....	40	0
Transportation, storage and disposal.....	42		

Introduction

Pre-delivery inspection and product numbers

Note: A pre-delivery inspection has been done of this product. Make sure that you receive a signed copy of the pre-delivery inspection document from your dealer.

Service agent contact information:	
This operator's manual belongs to product with product number / serial number:	
/	
Engine:	
Transmission:	

Product description

The product is a ride-on lawn mower. Forward and reverse pedals let the operator adjust the speed seamlessly. An hour meter shows how many hours the operator has used the product. The product has headlights, all-wheel drive (AWD) and is used with Combi cutting decks with BioClip.

Intended use

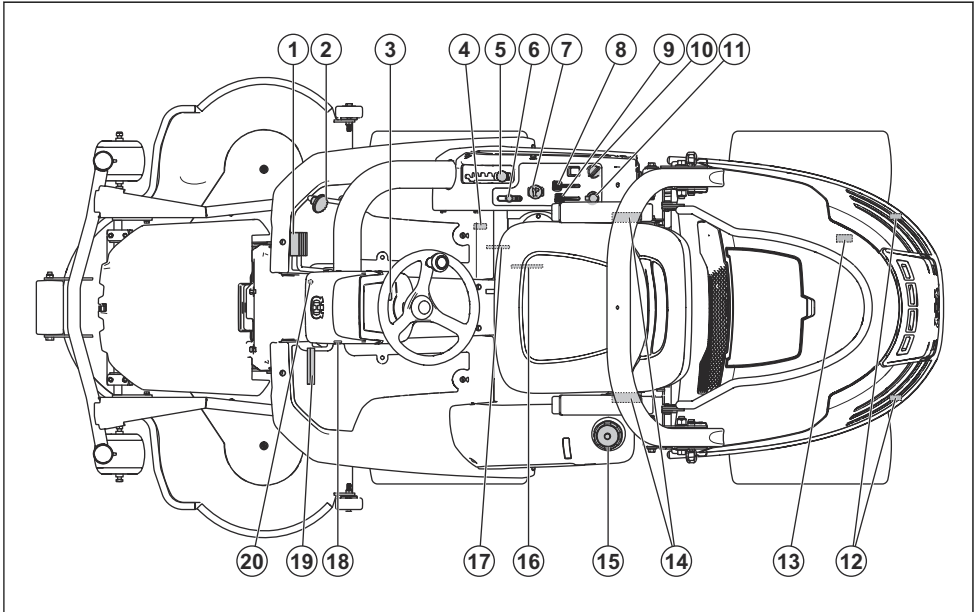
The product is made to cut grass on open and level ground in residential areas and gardens. Attach an

optional accessory to use the product for other tasks. Speak to your Husqvarna dealer for more information about which accessories that are available.

Insure your product

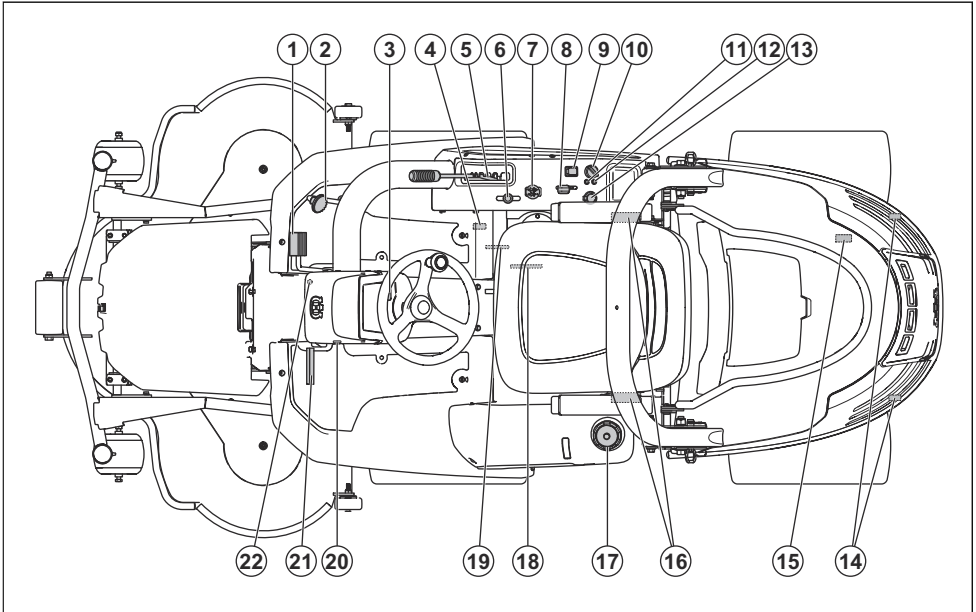
Make sure that you have insurance coverage for your new product. Speak to your insurance company if you are not sure. We recommend a fully comprehensive insurance that includes third party, fire, damage, theft and liability.

Product overview P 524



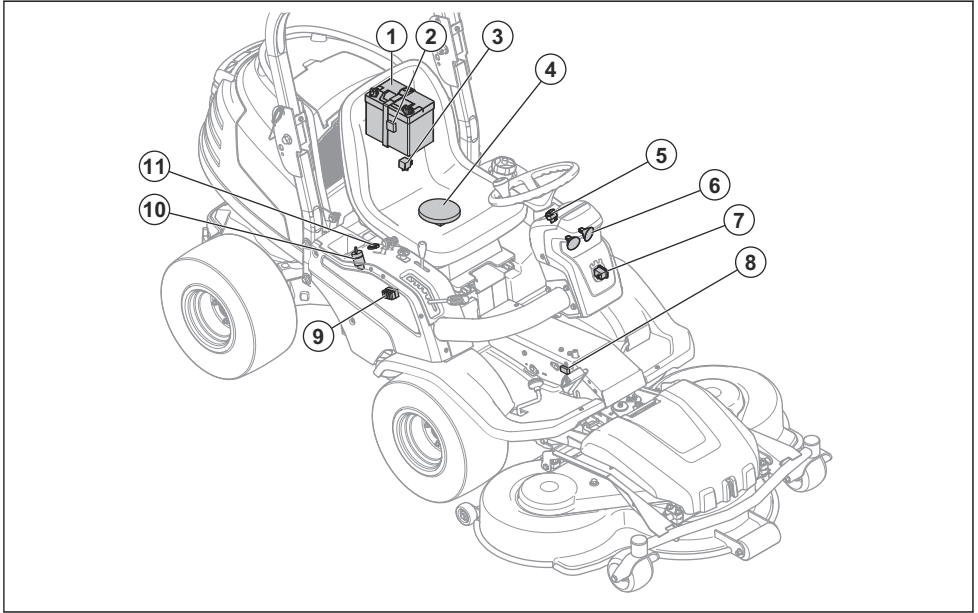
- | | |
|--|--|
| 1. Forward drive pedal | 11. Power outlet 12V |
| 2. Rearward drive pedal | 12. Cover lock |
| 3. Light switch | 13. Bypass valve to engage or disengage the drive on the rear axle |
| 4. Bypass valve to engage or disengage the drive on the front axle | 14. Safety belt |
| 5. Cutting height lever | 15. Fuel tank cap |
| 6. Lift lever for the cutting deck | 16. Seat adjustment |
| 7. PTO button, start and stop of the cutting deck | 17. Type plate |
| 8. Throttle control | 18. Hour meter |
| 9. Choke control | 19. Parking brake |
| 10. Ignition lock | 20. Lock button for parking brake |

Product overview P 524EFI



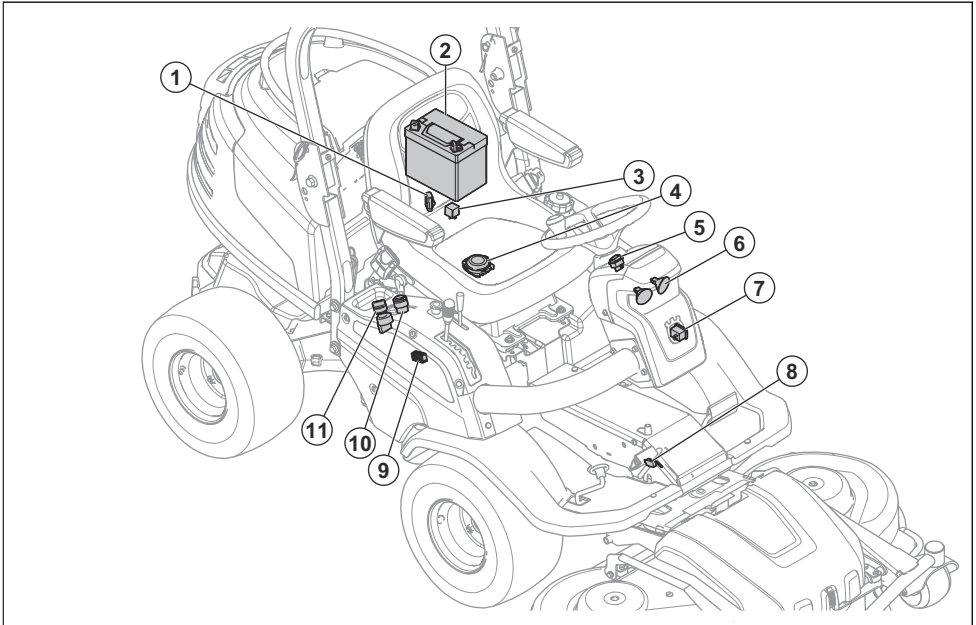
- | | |
|--|--|
| 1. Forward drive pedal | 12. Warning lamp for engine malfunction |
| 2. Rearward drive pedal | 13. Power outlet 12V |
| 3. Light switch | 14. Cover lock |
| 4. Bypass valve to engage or disengage the drive on the front axle | 15. Bypass valve to engage or disengage the drive on the rear axle |
| 5. Cutting height lever | 16. Safety belt |
| 6. Lift lever for the cutting deck | 17. Fuel tank cap |
| 7. PTO button, start and stop of the cutting deck | 18. Seat adjustment |
| 8. Throttle control | 19. Type plate |
| 9. On/off switch for the power outlet | 20. Hour meter |
| 10. Ignition lock | 21. Parking brake |
| 11. Warning lamp for low oil pressure | 22. Lock button for parking brake |

Electrical system overview P 524

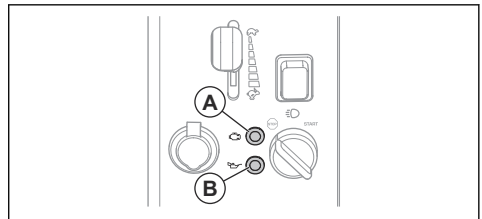


1. Battery
2. Main fuse, 20 A
3. Relay
4. Safety switch for the seat
5. Light switch
6. Headlights
7. Hour meter
8. Microswitch for the hydrostatic transmission
9. Fuse holder
10. Ignition lock
11. Power outlet, 12 V

Electrical system overview, P 524EFI



1. Main fuse, 20 A
2. Battery
3. Relay
4. Safety switch for the seat
5. Light switch
6. Headlights
7. Hour meter
8. Microswitch for the hydrostatic transmission
9. Fuse holder
10. Ignition lock
11. Power outlet, 12 V



Hour meter

The hour meter shows how many hours the engine has run. The time with ignition on but engine off is not registered. The last digit shows tenths of an hour (6 minutes).

Power outlet

The voltage of the power outlet is 12 V. The power outlet has a fuse, see *To replace a fuse on page 28*.

Set the power outlet to on and off with the power switch found on the control panel.

Warning lamps on the control panel, P 524EFI

The engine on model P 524EFI has Electronic Fuel Injection system. 2 lamps on the control panel show if there are problems with the engine.

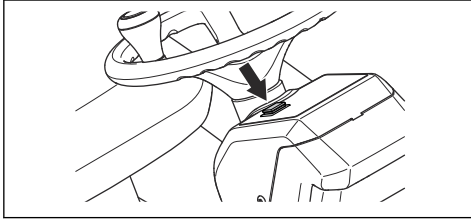


CAUTION: If a lamp on the control panel comes on, stop the engine and refer to *Troubleshooting on page 40*.

- A: Engine malfunction
- B: Low oil pressure

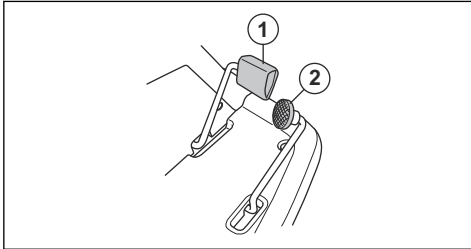
Headlights

The power switch for the headlights is found on the steering wheel panel.



Forward and rearward pedals

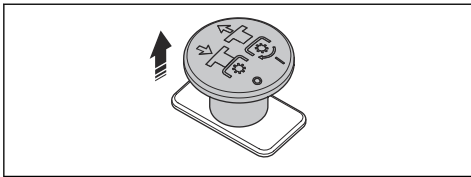
The speed is gradually adjusted with 2 pedals. The left pedal (1) is used to move forward, and the right pedal (2) is used to move rearward. The product brakes when the pedals are released.



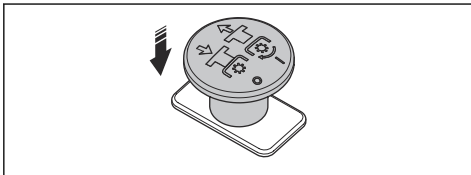
PTO (Power take-off) button

The PTO button starts and stops the cutting deck. The operator must sit to start the cutting deck.

Pull the PTO button out to engage the drive on the cutting deck blades.



Push the PTO button in to disengage the drive on the cutting deck blades.

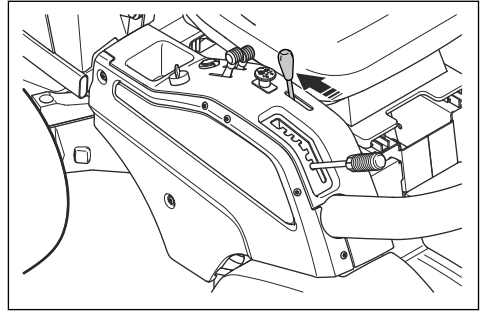


See also *To do a check of the safety circuit on page 12.*

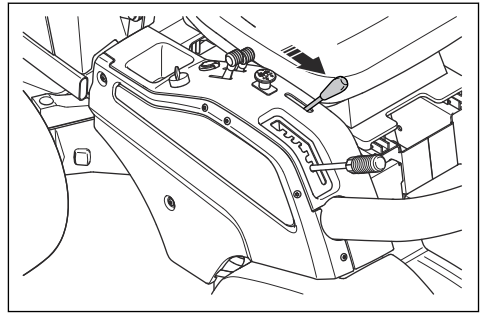
Lift lever for the cutting deck

The lift lever is used to lift and lower the cutting deck. The product uses hydraulic pressure to lift the cutting deck. To operate the lift lever, start the engine and push down the PTO button.

When you move the lift lever to the transport position, the cutting deck lifts and the blades stop in approximately 5 seconds.



When you move the lift lever to the mow position, the cutting deck lowers and the blades start to rotate.



Cutting deck

The cutting decks for this product are Combi cutting decks with BioClip. BioClip cuts the grass into fertilizer. The Combi cutting decks can also be used without BioClip. Without BioClip the grass is ejected to the rear.

Symbols on the product



WARNING: Careless or incorrect use can result in serious injury or death to the operator or others.



Read the operator's manual carefully and make sure that you understand the instructions before use.



Rotating blades. Keep body parts away from the cover when the engine is on.



Warning: rotating parts. Keep body parts away.



Hot surface.



Do not touch.



Pull the clip to remove the engine cover.



Never use the product if persons, especially children, or animals, are in the vicinity.



Never cut grass across a slope. Do not cut grass on ground that slopes more than 10°. See *To cut grass on slopes* on page 13.



Never carry passengers on the product or equipment.



Operate the product very slowly if no cutting deck is attached.



Operate the product at full speed when a cutting deck is attached.



Move forward.



Neutral gear.



Move rearward.



This product is in accordance with applicable EC directives.



Noise emission to the environment according to the European Community's Directive. The product's emission is specified in the Technical data chapter and on the label.



Always use approved hearing protection.



Choke (P 524).



Stop the engine.

START

Start the engine.



Warning lamp for engine malfunction (P 524EFI).



Warning lamp for low oil pressure (P 524EFI).



Engine speed – fast.



Engine speed – slow.



Servicing position for the cutting deck.



Operation position for the cutting deck.



Cutting height.



Servicing position.



The blades are engaged.



The blades are disengaged.



Oil level.



Stop the engine and remove the spark plug cable before repairs or maintenance.



Do a check of the engine oil level.



Do a check of the engine oil level.



Parking brake.



Push in the PTO button.



Do not use the safety belt if the ROPS is disengaged.



Always use the safety belt when the ROPS is engaged.



Note: Other symbols/decals on the product refer to certification requirements for some commercial areas.

Product liability

As referred to in the product liability laws, we are not liable for damages that our product causes if:

- the product is incorrectly repaired.
- the product is repaired with parts that are not from the manufacturer or not approved by the manufacturer.
- the product has an accessory that is not from the manufacturer or not approved by the manufacturer.
- the product is not repaired at an approved service center or by an approved authority.

Safety

Safety definitions

Warnings, cautions and notes are used to point out specially important parts of the manual.



WARNING: Used if there is a risk of injury or death for the operator or bystanders if the instructions in the manual are not obeyed.



CAUTION: Used if there is a risk of damage to the product, other materials or the adjacent area if the instructions in the manual are not obeyed.

Note: Used to give more information that is necessary in a given situation.

General safety instructions



WARNING: This product can cut off hands and feet and throw objects. Serious injury or death may occur if you do not obey the safety instructions.



WARNING: Do not continue to use a product with damaged cutting equipment. Damaged cutting equipment can throw objects and cause serious injury or death. Replace damaged blades immediately.



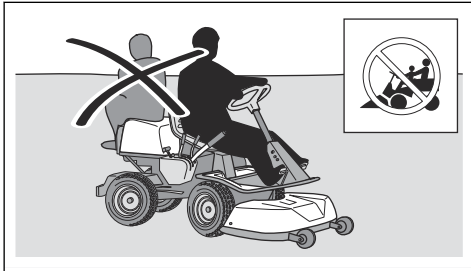
WARNING: This product produces an electromagnetic field during operation. This field may under some circumstances interfere with active or passive medical implants. To reduce the risk of serious or fatal injury we recommend persons with medical implants to consult their physician and the medical implant manufacturer before operating this product.



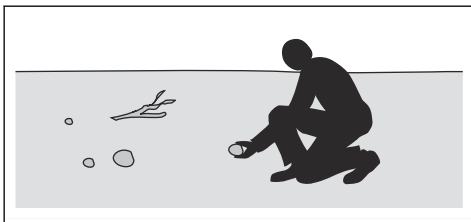
WARNING: Read the warning instructions that follow before you use the product.

- Always be careful and use your common sense. Avoid all situations which you consider to be beyond your capability. If you feel uncertainty about the operating procedures after you read the operator's manual, consult an expert before you continue.

- Read and understand the operator's manual and the instructions on the product carefully before you start the product.
- Learn how to use the product and its controls safely and learn how to stop the product quickly.
- Learn to recognize the safety decals.
- Keep the product clean to make sure that you can clearly read signs and stickers.
- Keep in mind that the operator will be held responsible for accidents that involve other persons or their property.
- Do not transport passengers. The product must only be used by one person.



- Do not let the product stay unsupervised with the engine on. Always stop the blades, apply the parking brake, stop the engine and remove the ignition key before you let the product stay unsupervised.
- Only use the product in daylight or in other well-lit conditions. Keep the product at a safe distance from holes or other irregularities in the ground. Look out for other possible risks.
- Do not use the product in bad weather, for example in fog, in rain, moist or in wet locations, strong winds, intense cold, risk of lightning, etc.
- Find and mark stones and other fixed objects to prevent collision.
- Clear the area of objects such as stones, toys, wires, etc. that may become caught in the blades and be thrown out.



- Do not let children or other persons not approved for operation of the product to use or do servicing on it. Local laws may regulate the age of the user.
- Make sure that nobody else is in the vicinity of the product when you start the engine, engage the drive or start to move the product.

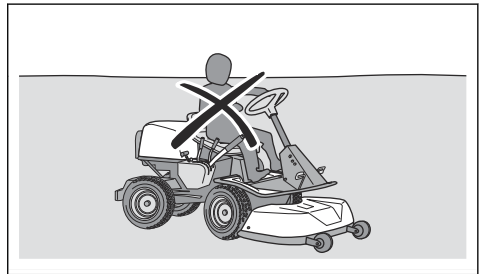
- Keep an eye on the traffic when you mow near a road or move across a road.
- Do not use the product if you are fatigued, while under the influence of alcohol or drugs, medicine or anything that can have a negative effect on your vision, alertness, coordination or judgement.
- Always park the product on a level surface with the engine stopped.

Safety instructions regarding children



WARNING: Read the warning instructions that follow before you use the product.

- Serious accidents can occur if you are not on your guard for children in the vicinity of the product. Children can be attracted to the product and to mowing. It is very possible that children do not stay where you last saw them.
- Keep children away from the area to be mowed. Make sure that an adult is responsible for the children.
- Keep an eye out and stop the product if children enter the work area. Be very careful near corners, bushes, trees or other objects that prevents a clear view.
- Before and while you move the product in reverse, look behind you and look down to make sure there are no small children in the vicinity of the product.
- Do not let children ride along. They can fall off and get seriously injured or prevent safe maneuvering of the product.
- Do not let children operate the product.



Safety instructions for operation



WARNING: Do not touch the engine or exhaust system during or directly after operation. The engine and the exhaust system become very hot during operation. Risk of burn injuries, fire and damage to property or adjacent areas. When you operate the product, keep away from bushes and other objects.



WARNING: Read the warning instructions that follow before you use the product.

- Always look down and behind you before and while you move in reverse. Look out for large and small obstacles.
- Decrease the speed before you turn around a corner.
- Stop the blades when you move across areas that you do not cut.



CAUTION: Read the caution instructions that follow before you use the product.

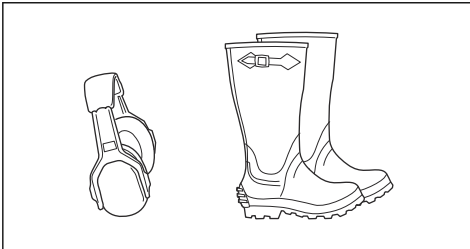
- Before you operate the product, clear the cold air intake of the engine from grass and dirt. If the cold air intake is blocked, there is a risk of engine damage.
- Move around stones and other larger objects carefully and make sure that the blades do not hit the objects.
- Do not operate the product across objects. Stop and examine the product and cutting deck if you operate the product across or into an object. If it is necessary, make repairs before you restart.

Personal protective equipment



WARNING: Read the warning instructions that follow before you use the product.

- Use approved personal protective equipment when you use the product. Personal protective equipment cannot fully prevent injury but it decreases the degree of injury if an accident does occur. Let your dealer help you select the right equipment.
- Always wear approved hearing protection. Long term exposure to noise can result in permanent hearing impairment.
- Always wear protective shoes or protective boots. Steel toes are recommended. Do not use the product barefoot.



- Wear gloves when necessary, for example when you attach, examine or clean the cutting equipment.

- Do not wear loose-fitting clothing, jewelry or other items that can get caught in moving parts.
- Keep first aid equipment and fire extinguisher close at hand.

Safety devices on the product



WARNING: Read the warning instructions that follow before you use the product.

- Do not use a product with defective safety devices. Do a check of the safety devices regularly. If the safety devices are defective, speak to your Husqvarna service agent.
- Do not make modifications on safety devices. Do not use the product if protective plates, protective covers, safety switches or other protective devices are not attached or are defective.

Roll Over Protection Structure (ROPS)

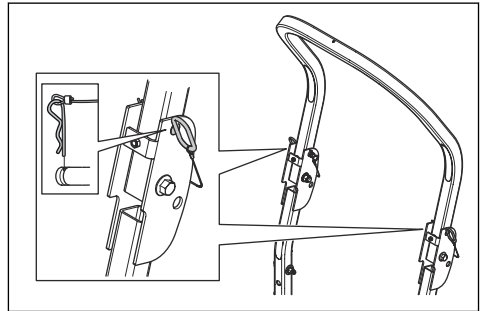
ROPS is a protective frame that decreases the risk of injury if the product overturns. Use the ROPS and the safety belt when you operate the product on slopes.

Safety belt

The safety belt prevents injury if accidents occur or the product overturns. Use the safety belt only when the ROPS is engaged. Make sure that the seat belt is correctly attached and not damaged.

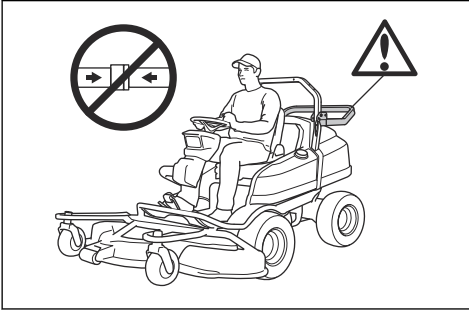
To engage and disengage the Roll Over Protection Structure (ROPS)

- Remove the 2 pins that hold the ROPS and fold it rearwards to disengage. Engage the ROPS in the opposite sequence.

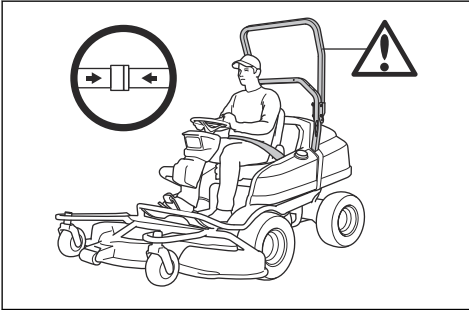


WARNING: Obey the following instructions for the ROPS and the safety belt.

- Do not use the safety belt if the ROPS is disengaged.



- Always use the safety belt when the ROPS is engaged.



- Make sure that the ROPS is correctly attached and not damaged.

To do a check of the ignition lock

- Start and stop the engine to do a check of the ignition lock. See *To start the engine, P 524 on page 17* and *To stop the engine on page 20*.
- Make sure that the engine starts when you turn the ignition key to START.
- Make sure that the engine stops immediately when you turn the ignition key to STOP.

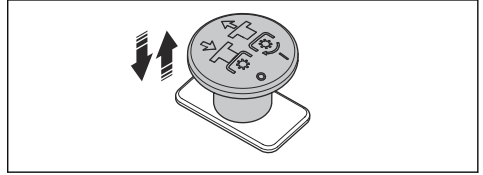
To do a check of the safety circuit

The safety circuit makes sure that the engine only starts in some conditions. The drive on the blades must be disengaged and the parking brake must be applied.

The safety circuit stops the blades if the operator does not stay in the seat when the cutting deck is lowered.

- Do a check of the safety circuit daily.
- Try to start the engine with one of the conditions above not obeyed. Change the conditions and try again. If the safety circuit works, the engine does not start.
- Engage the drive on the blades and lift from the seat. If the safety circuit works, the blades in the cutting deck stop.

Note: If the safety circuit stops the blades, push the PTO button in and pull it out again to start the blades.



To do a check of the speed limiter

- Release the forward pedal to brake.
- For more brake power, press the reverse pedal.
- Make sure that the forward and reverse pedals are not blocked and can be operated freely.
- Make sure that the product brakes when the forward pedal is released.

Parking brake



WARNING: If the parking brake does not work, the product can start to move and cause injury or damage. Make sure that the parking brake is regularly examined and adjusted.

See *To do a check of the parking brake on page 26*.

Muffler

The muffler keeps the noise levels to a minimum and sends the exhaust fumes away from the operator.

Do not use the product if the muffler is missing or defective. A defective muffler increases the noise level and the risk of fire.

Examine the muffler regularly to make sure that it is attached correctly and not damaged.



CAUTION: The muffler becomes very hot during and after use and when the engine operates at idle speed. Be careful near flammable materials and/or fumes to prevent fire.

Protective covers

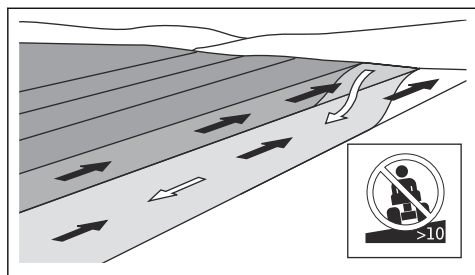
Missing or damaged protective covers increase the risk of injury on moving parts and hot surfaces. Do a check of the protective covers before you operate the product. Make sure that the protective covers are correctly attached and do not have cracks or other damages. Replace damaged covers.

To cut grass on slopes

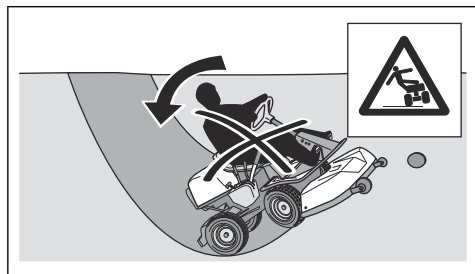


WARNING: Read the warning instructions that follow before you use the product.

- To cut grass on slopes increases the risk that you can not control the product and that it overturns. This can cause injury or death. It is necessary to cut the grass carefully on all slopes. If you cannot reverse up a slope or if you do not feel safe, do not cut it.
- Remove stones, branches and other obstacles.
- Cut up and down the slope, not from side to side.
- Do not move down a slope with the cutting deck lifted.
- Do not operate the product on ground that slopes more than 10°.



- Do not start or stop on a slope.
- Move smoothly and slowly on slopes.
- Do not make sudden changes in speed or direction.
- Do not turn more than necessary. Turn slowly and gradually when you move down a slope. Move at low speed. Turn the wheel carefully.
- Look out for and do not move across furrows, holes and bumps. There is a higher risk that the product overturns on ground that is not flat. Long grass can hide obstacles.
- Do not cut grass near edges, ditches or banks. The product can suddenly overturn if a wheel moves across the edge of a steep slope or a ditch, or if an edge gives way. If the product falls into water, there is a risk of drowning.



- Do not mow wet grass. It is slippery, and tires can lose their grip so that the product skids.

- Do not put your foot on the ground to try to make the product more stable.
- Move very carefully if an accessory or other object is attached that can make the product less stable.
- To increase stability, attach counterweights. Speak to your dealer for more information.

Fuel safety



WARNING: Be careful with fuel. It is very flammable, and can cause injury and damage to property.



WARNING: Read the warning instructions that follow before you use the product.

- Do not fill the fuel tank indoors.
- Gasoline and gasoline fumes are poisonous and very flammable. Be careful with gasoline to prevent injury or fire.
- Do not remove the fuel tank cap or fill the fuel tank when the engine is on.
- Let the engine become cool before you refuel.
- Do not smoke when you fill fuel.
- Do not fill fuel near sparks or naked flames.
- If there are leaks in the fuel system, do not start the engine until the leaks are repaired.
- Do not fill above recommended fuel level. The heat from the engine and the sun makes the fuel expand and the fuel overflows if the tank is filled too much.
- Do not fill too much. If you spill fuel on the product, clean up the spill and wait until it is dry before you start the engine. If you spill on your clothing, change it.
- Store fuel in approved containers only.
- Store the product and fuel in such a way that there is no risk that fuel leaks or fumes can cause damage.
- Drain off the fuel in an approved container outdoors and away from naked flames.

Battery safety



WARNING: A damaged battery can cause an explosion and cause injury. If the battery has a deformation or is damaged, speak to an approved Husqvarna service agent.



WARNING: Read the warning instructions that follow before you use the product.

- Use protective glasses when you are near batteries.
- Do not wear watches, jewelry or other metal objects near the battery.
- Keep the battery out of reach for children.
- Charge the battery in a space with good airflow.

- Keep flammable materials at a minimum clearance of 1 m when you charge the battery.
- Discard replaced batteries. See *Disposal on page 43*.
- Explosive gases can come from the battery. Do not smoke near the battery. Keep the battery away from open flames and sparks.
- For best performance and safety, do maintenance on the product regularly as given in the maintenance schedule. See *Maintenance schedule on page 21*.
- Electrical shocks can cause injuries. Do not touch the cables when the engine is on. Do not do a function test on the ignition system with your fingers.
- Do not start the engine if the protective covers are removed. There is a high risk of injury caused by moving or hot parts.

Safety instructions for maintenance



WARNING: The product is heavy and can cause injury or damage to property or the adjacent area. Do not do maintenance on the engine or the cutting deck without these conditions:

- The engine is off.
- The product is parked on a level surface.
- The parking brake is applied.
- The ignition key is removed.
- The cutting deck is disengaged.
- The ignition cables are removed from the plugs.



WARNING: The exhaust fumes from the engine contain carbon monoxide, an odourless, poisonous and very dangerous gas. Do not run the product in closed spaces or spaces with not sufficient air flow.



WARNING: Read the warning instructions that follow before you use the product.



CAUTION: Read the caution instructions that follow before you use the product.

- Do not turn over the engine if the spark plug or ignition cable is removed.
- Make sure that all nuts and bolts are tightened correctly and that the equipment is in good condition.
- Do not change the adjustment of governors. If the engine speed is too high, the product components can become damaged. See *Technical data on page 44* for highest permitted engine speed.
- The product is approved only with the equipment supplied or recommended by the manufacturer.

Assembly

Introduction



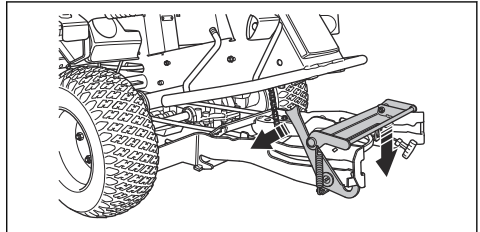
WARNING: The drive belt tension spring can break and cause injury. Wear protective glasses when you attach or remove the cutting deck.

Read the assembly instructions in the owner's manual carefully. A label on the inner side of the front cover on the product, also shows how to attach and remove the cutting deck.

To attach the cutting deck

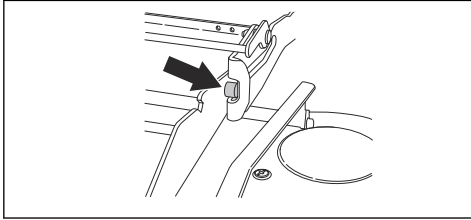
1. Park the product on level ground.
2. Apply the parking brake.
3. Set the cutting height lever in the servicing position.

4. Push the equipment frame down. Lift the equipment frame lock to vertical position.

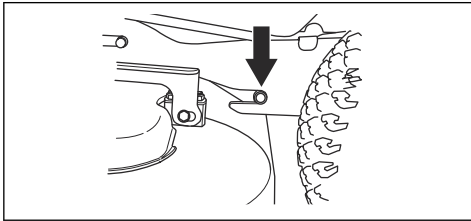


WARNING: The lock mechanism can cause injury to fingers if you do not operate it carefully. Hold the front edge of the cutting deck with two hands when you continue to the next step.

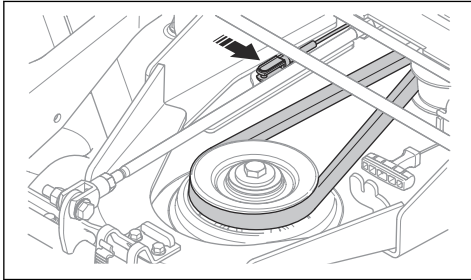
5. Push the cutting deck into the equipment frame. Make sure that the front guide plugs go in the grooves on the equipment frame. The equipment frame lock releases automatically.



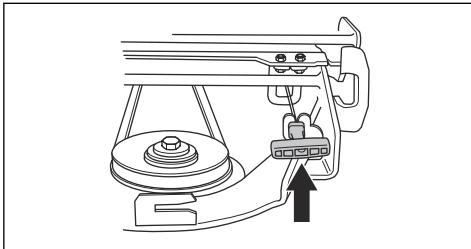
6. Push the cutting deck in until the rear guide plugs touch the bottom of the grooves on the equipment frame.



7. Put the drive belt around the drive wheel for the cutting deck and attach the cutting height cable.



8. Put the spring handle in the spring holder.

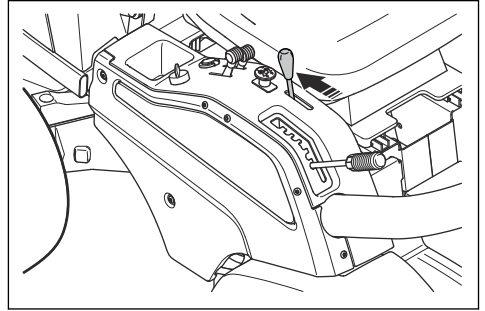


9. Attach the front cover.

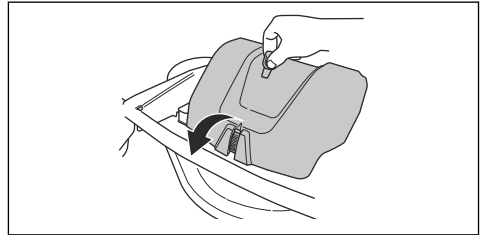
To remove the cutting deck

1. Park the product on level ground.
2. Apply the parking brake.
3. Set the cutting height lever in the servicing position.

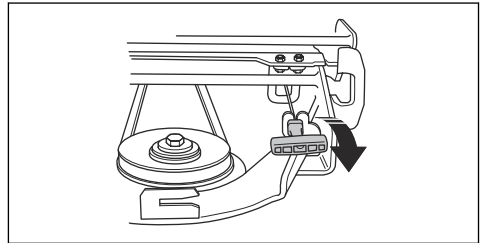
4. Pull the lift lever for the cutting deck rearward to its locked position to lift up the cutting deck.



5. Release the clip on the front cover with the tool attached to the ignition key, and remove the cover.

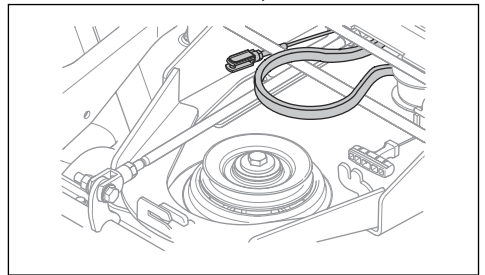


6. Pull the spring handle out from the spring holder to loosen the drive belt tension.

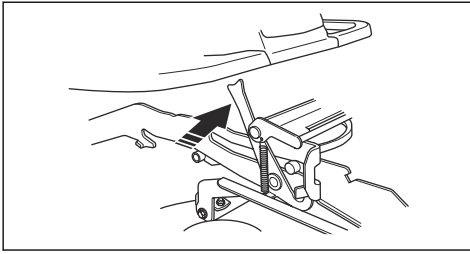


7. Disconnect the cutting height cable.

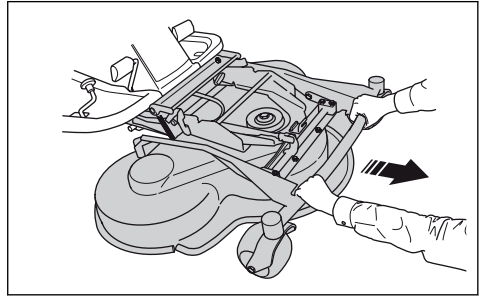
8. Remove the drive belt and put it in the belt holder.



9. Open the equipment frame lock.



10. Hold the front edge of the cutting deck with 2 hands and pull it out.



Operation

Introduction



WARNING: Before you operate the product, you must read and understand the safety chapter.

To fill fuel



WARNING: Gasoline is very flammable. Be careful and refuel outdoors (see *Fuel safety on page 13*).



WARNING: Do not use the fuel tank as a support area.

The engine runs on unleaded gasoline with a minimum octane rating of 95 (not mixed with oil). We recommend biodegradable alkylate gasoline (max. methanol 5%, max. ethanol 10%, max. MTBE 15%).

Do a check of the fuel level before each use and refuel if necessary.

You can clearly see the fuel level in the fuel tank. Do not fill too much. Keep a minimum space of 2.5 cm.

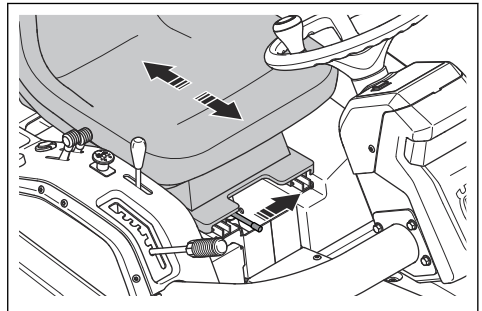
To adjust the seat



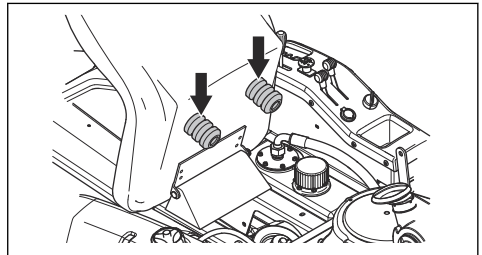
WARNING: Do not adjust the seat during operation of the product.

The seat can be tilted forward. It can also be adjusted forward and rearward.

- To adjust the seat forward and rearward, push the lever below the front edge of the seat to the left. Move the seat to the required position.



- To adjust the seat springs, move the rubber stops below the seat as given in the illustration. Put the 2 stops in the front, middle or rear.



To release and apply the hydraulic pressure

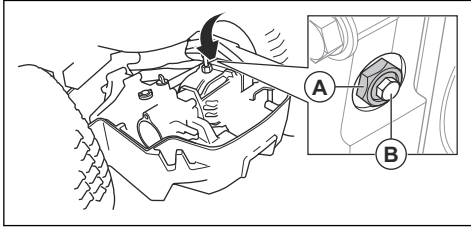
To move the product with the engine off, you must release the hydraulic pressure. The hydraulic pressure is released and applied with a bypass valve.



CAUTION: Close the 2 bypass valves before you operate the product. If they are open, the transmission can become damaged.

Rear axle

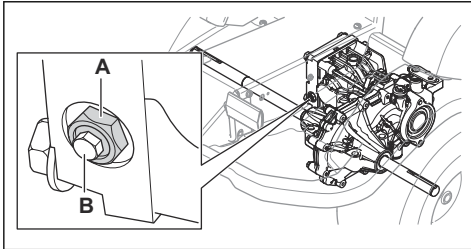
- To release the hydraulic pressure, open the locknut (A) $\frac{1}{4}$ – $\frac{1}{2}$ turn counterclockwise and then the valve nut (B) 2 turns counterclockwise.



- To apply the hydraulic pressure, close the valve nut (B) fully and then tighten the locknut (A).

Front axle

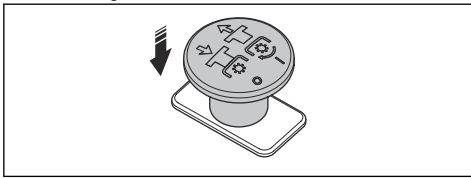
- To release the hydraulic pressure, open the locknut (A) $\frac{1}{4}$ – $\frac{1}{2}$ turn counterclockwise and then the valve nut (B) 2 turns counterclockwise.



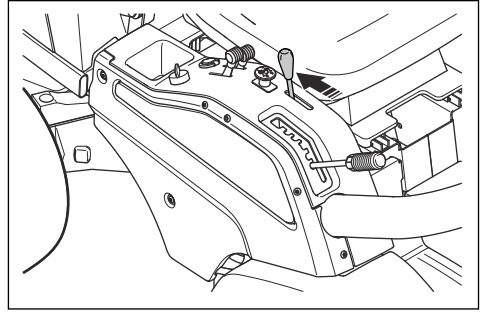
- To apply the hydraulic pressure, close the valve nut (B) fully and then tighten the locknut (A).

To lift the cutting deck

- Push the PTO button in to disengage the drive on the cutting deck.



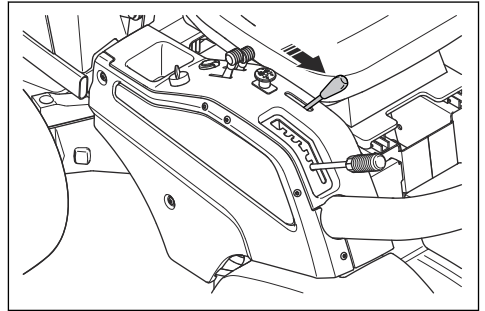
- Pull the lift lever rearward to lift the cutting deck to transport position.



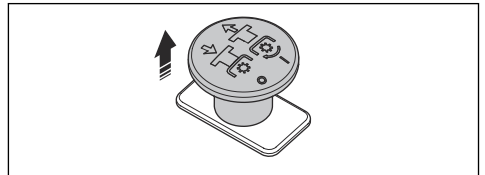
Note: You can lift the cutting deck a small distance with the drive on the blades engaged. Use this function for very long grass or rough surfaces.

To lower the cutting deck to operation position

- Move the lift lever forward to lower the cutting deck.



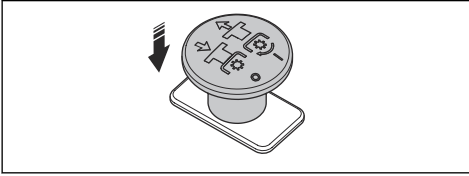
- Pull the PTO button out to engage the drive on the cutting deck blades.



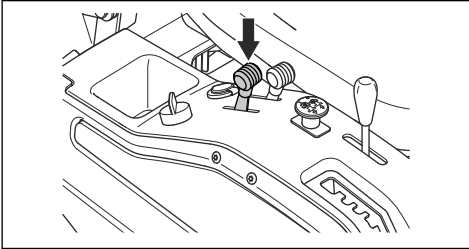
To start the engine, P 524

- Make sure that the bypass valves are closed. Refer to *To release and apply the hydraulic pressure on page 16*.
- Apply the parking brake.

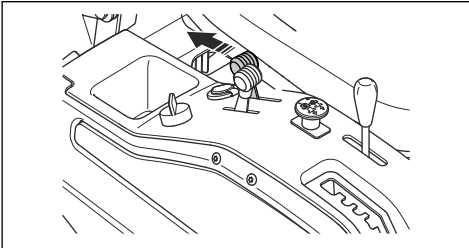
- Push in the PTO button to disengage the drive on the cutting deck.



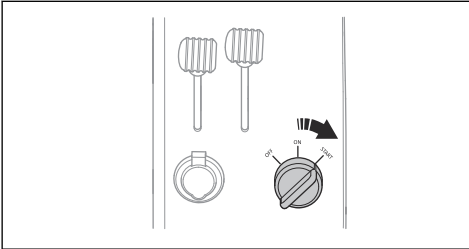
- Move the throttle control to the middle position.



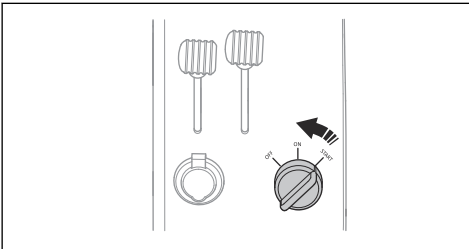
- If the engine is cold, move the choke control fully rearward.



- Turn the ignition key to the start position.

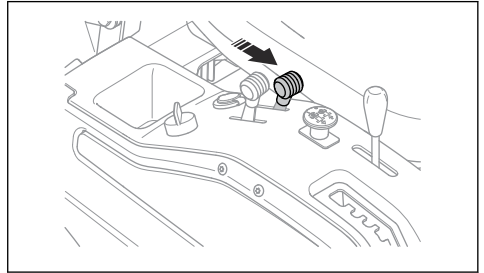


- When the engine starts, immediately release the ignition key to neutral position.



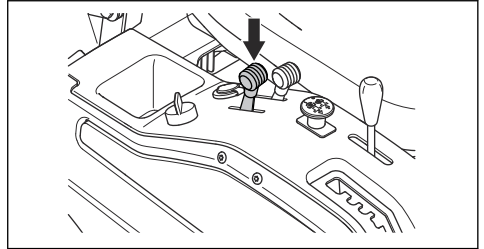
CAUTION: Do not run the starter for more than 5 seconds at a time. If the engine does not start, wait 15 seconds before you try again.

- Push the choke control gradually forward to the end position.



- Let the engine run at half throttle for 3-5 minutes before you apply a heavy load.

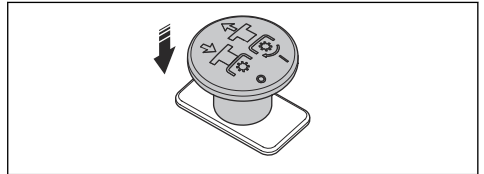
- Push the throttle control to full throttle position.



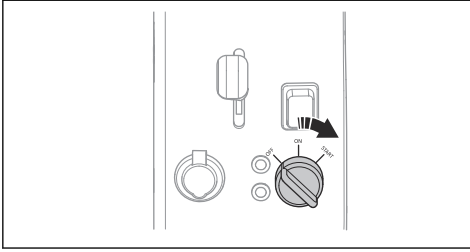
CAUTION: To engage the blades when the engine is at full speed causes strain on the drive belts. Do not apply full throttle until the cutting deck is lowered to the mow position.

To start the engine, P 524EFI

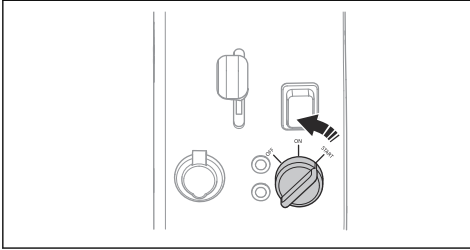
- Make sure that the bypass valves are closed. Refer to *To release and apply the hydraulic pressure* on page 16.
- Apply the parking brake.
- Push in the PTO button to disengage the drive on the cutting deck.



4. Turn the ignition key to the start position.



5. When the engine starts, immediately release the ignition key to neutral position.



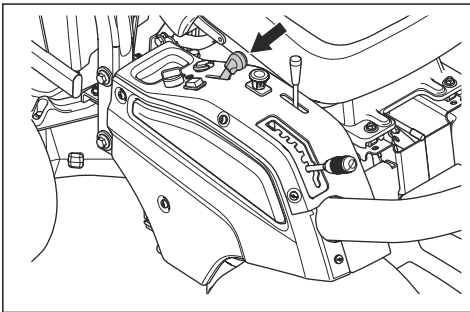
CAUTION: Do not run the starter for more than 5 seconds at a time. If the engine does not start, wait 15 seconds before you try again.

6. Let the engine run at half throttle for 3-5 minutes before you apply a heavy load.



CAUTION: If the warning lamp for oil pressure comes on, stop the engine immediately and refer to *Troubleshooting on page 40*.

7. Push the throttle control to full throttle position.



CAUTION: To engage the blades when the engine is at full speed causes strain on the drive belts. Do not apply full throttle until the cutting deck is lowered to the mow position.

To start and operate the product in cold weather

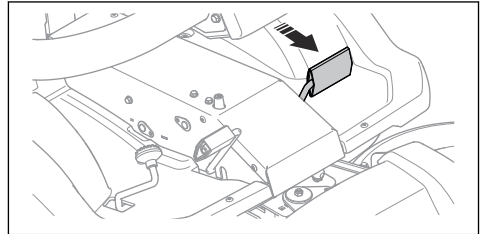
- If the engine does not start easily in cold weather, turn the ignition key many times until the engine starts. For P 524, make sure that the choke control is moved fully rearward.
- At temperatures lower than 0°C, let the product become warm before you apply a heavy load. Operate the product but do not engage the equipment for a minimum of 10 minutes.



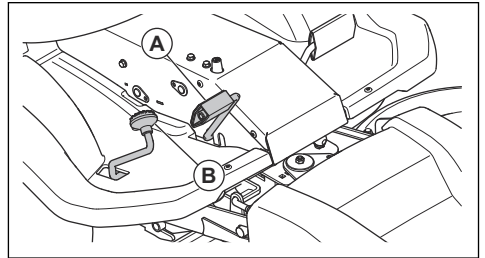
CAUTION: If the product is not warm when you start to operate it, the transmission can become damaged.

To operate the product

1. Start the engine.
2. Press the parking brake pedal down and then release it to disengage the parking brake.

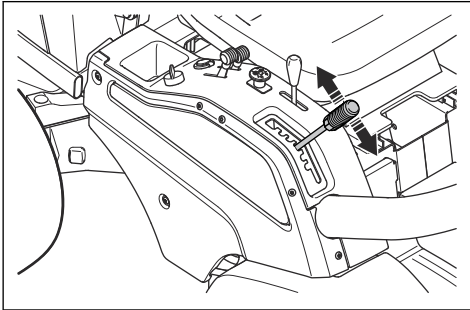


3. Carefully press down one of the speed pedals. The speed increases the more the pedal is pressed down. Use pedal (A) to move forward, and pedal (B) to reverse.

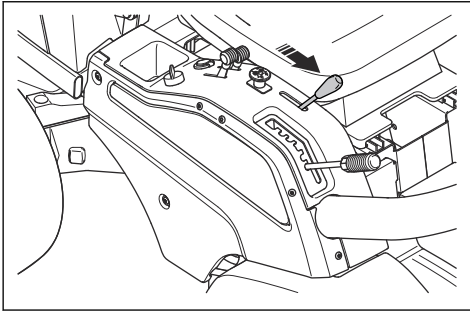


4. Release the pedal to brake. To brake harder, press down the other speed pedal.

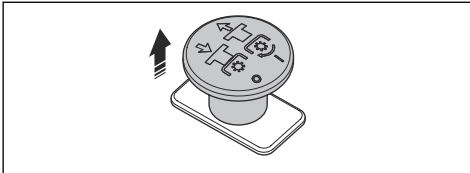
5. Select the cutting height (1-6) with the cutting height lever.



6. Move the lift lever forward to lower the cutting deck.

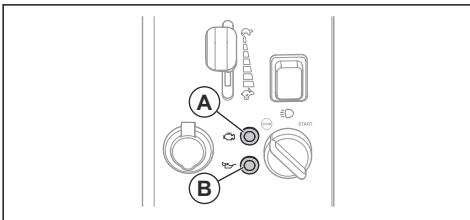


7. Pull the PTO button out to engage the drive on the cutting deck blades.



Reduced power mode, P 524EF1

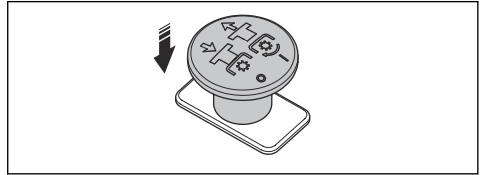
If the engine malfunctions, the engine speed automatically decreases to low idle speed and the warning light for engine malfunction (A) comes on. See *Troubleshooting on page 40* for possible causes of the malfunction.



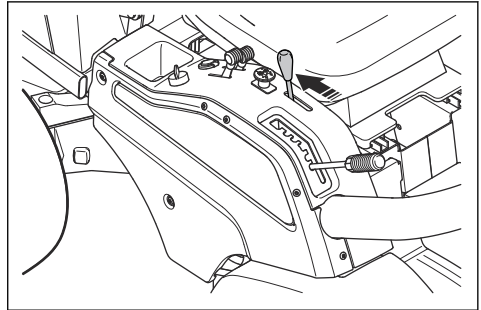
To stop the engine

1. Release the speed pedals.

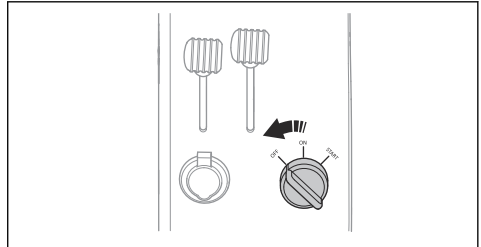
2. Push the PTO button in to disengage the drive on the cutting deck blades.



3. Operate the engine at idle speed for 1 minute to decrease the engine temperature.
4. Pull the lift lever for the cutting deck rearward to lift up the cutting deck.



5. Move the throttle control forward to the MIN. position.
6. Turn the ignition key to the STOP position.

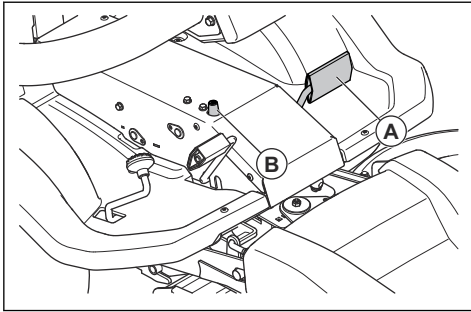


7. When the product stops, apply the parking brake.

To apply and release the parking brake

1. Press the parking brake pedal down (A).

2. Press and hold the lock button (B).



3. Keep the button pressed and release the parking brake pedal.

4. To release the parking brake, press the parking brake pedal again.

To get a good cutting result

- Do not cut a wet lawn. Wet grass can give a bad cutting result.
- Start with a high cutting height and decrease it gradually.
- Cut with blades that rotate at high speed (highest permitted engine speed, see *Technical data on page 44*). Move the product forward at low speed. If the grass is not too high and thick, you can get a good cutting result also at a higher speed.
- To get the best cutting result, cut the grass frequently and use the BioClip function.

Maintenance

Introduction



WARNING: Before you do any maintenance work you must read and understand the safety chapter.

X = The instructions are given in this operator's manual.

O = The instructions are not given in this operator's manual. Let an approved service agent do the maintenance.

Note: If more than one time interval is identified in the table, the shortest time interval is for the first maintenance only.

Maintenance schedule

* = General maintenance done by the operator. The instructions are not given in this operator's manual.

Maintenance	Daily, before operation (10 hour intervals)	After the first 25 hours	Weekly (40 hour intervals)	Maintenance interval in hours		
				100	200	400
Make sure that nuts and screws are tightened	*					
Make sure that there are no fuel or oil leaks	*					
Clean as given in <i>To clean the product on page 23</i>	X					
Clean the inner surface of the cutting deck, around the blades	X					
Clean around the engine and the muffler	X					
Clean the hydraulic oil cooler	X					
Make sure that the cold air intake of the engine is not blocked	X					
Make sure that the safety devices are not defective	X					
Examine and do a test of the brakes	*					
Do a check of the engine oil level	X					
Do a check of the oil level in the transmission			X			
Examine the cutting deck for damages	X					
Examine the blades in the cutting deck				X		
Do a check of the parking brake	X					

Maintenance	Daily, before operation (10 hour intervals)	After the first 25 hours	Weekly (40 hour intervals)	Maintenance interval in hours		
				100	200	400
Clean the inner surfaces of the frame tunnel			*			
Lubricate the seat slides			X			
Lubricate the articulated bearing			X	X		
Lubricate according to the lubrication overview		X	X	X		
Clean the cutting deck, below the belt covers and below the cutting deck			X			
Make sure that the tire pressure is correct			X	X		
Replace the engine oil		X		X		
Replace the oil filter		X				O
Clean the air filter			X	X		
After the cleaning procedure, do a visual inspection of the PTO belt tension		*	*		*	
After the cleaning procedure, do a visual inspection of the pump belt tension		*	*		*	
After the cleaning procedure, do a visual inspection of the cutting deck bolts for the belt pulleys and the blades	*					
After the cleaning procedure, do a visual inspection of the hydraulic hoses and couplings to make sure that they are clean and not damaged				*		
After the cleaning procedure, do a visual inspection of the joint bearing in the articulation						*
After the cleaning procedure, do a visual inspection of all pulleys					*	
Replace the inner air filter		X			X	
Replace the air filter cartridge						X
Replace the fuel filter		X		X		
Do a check of the headlights, replace broken lamps		X	X	X		
Do a check of the parallelism of the cutting deck		X	X			
Lubricate the belt adjuster	X				O	O
Lubricate the joints and bearings on the cutting deck				X		
Lubricate the pedal system in the frame tunnel				X		
Lubricate the chains in the frame tunnel				X		
Lubricate the parking brake cable				X		
Lubricate the throttle cable (P 524 only)				X		
Lubricate the choke cable (P 524 only)				X		
Lubricate the cable for the hydrostatic transmission				X		

Maintenance	Daily, before operation (10 hour intervals)	After the first 25 hours	Weekly (40 hour intervals)	Maintenance interval in hours		
				100	200	400
Replace the drive belt for the cutting deck						X
Replace the V-belt on the cutting deck						X
Examine the muffler and heat deflector			○	○		
Examine the spark plug for damages and make sure that the electrode gap is correct					X	
Replace the spark plug						X
Do a check of and adjust the throttle cable (P 524 only)					○	
Do a check of and adjust the choke cable (P 524 only)					○	
Clean the cooling fins on the engine and the transmission			○	○		
Clean the engine and the transmission			○	○		
Do a check of/adjust front and rear wheel speed				○		
Do a check of the fuel hose. Replace it if necessary				○		
Replace the oil in the transmission		○				○

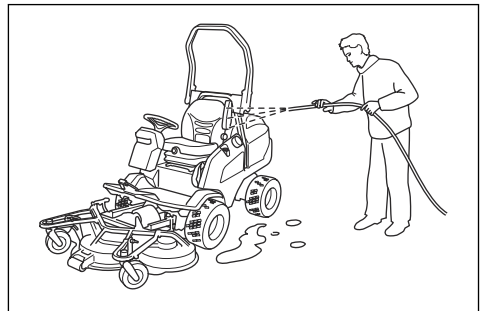
To clean the product



CAUTION: Do not use a high-pressure washer or a steam cleaner. Water can go into bearings and electrical connections and cause corrosion which causes damage to the product.

Clean the product immediately after use.

- Do not clean hot surfaces such as the engine, muffler and exhaust system. Wait until the surfaces are cool, then remove the grass or dirt.
- Before you clean with water, clean with a brush. Remove grass cuttings and dirt on and around the transmission, the transmission air intake, and the engine.
- Use running water from a hose to clean the product. Do not use high pressure.
- Do not point the water at electrical components or bearings. Detergent usually increases the damage.
- To clean the cutting deck, put it in the servicing position and hose it down with water.
- When the product is clean, start the cutting deck for a short period to blow off remaining water.
- Examine all lubrication points and lubricate if it is necessary. Always lubricate the bearings after you clean the product.



To clean the engine and the muffler

Keep the engine and muffler free from grass cuttings and dirt. Grass cuttings soaked in fuel or oil on the engine can increase the fire risk and the risk that the engine becomes too hot. Let the engine cool before it is cleaned. Clean with water and a brush.

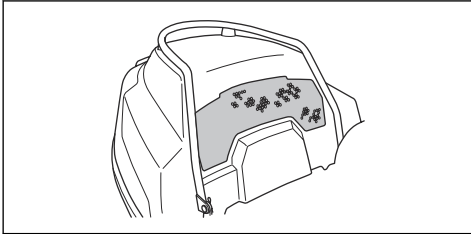
Grass cuttings around the muffler dry quickly and are a fire risk. Use a brush or remove the grass cuttings with water when the muffler is cold.

To clean the cold air intake of the engine

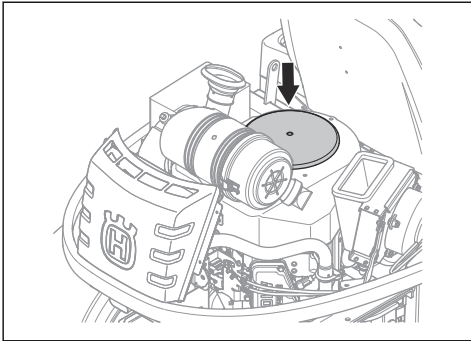


WARNING: Stop the engine. The cold air intake rotates and can cause injury to your fingers.

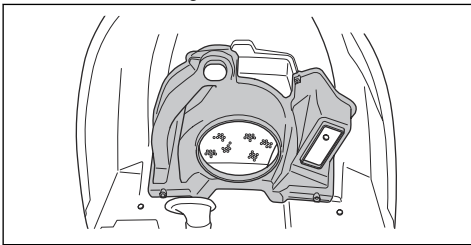
1. Make sure that the air intake grille is not blocked. Remove grass and dirt with a brush.



2. Remove the engine cover.
3. Make sure that the cold air intake is not blocked. Remove grass and dirt with a brush.

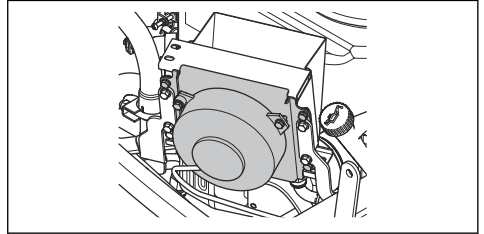


4. Examine the air duct on the inner surface of the engine cover. Make sure that the air duct is clean and does not rub against the cold air intake.



To clean the hydraulic oil cooler

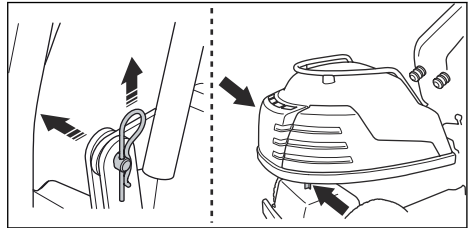
Make sure that the fan for the hydraulic oil cooler is not blocked and that the area around the hydraulic oil cooler is clean. Remove grass and dirt with a brush.



To remove the covers

To remove the engine cover

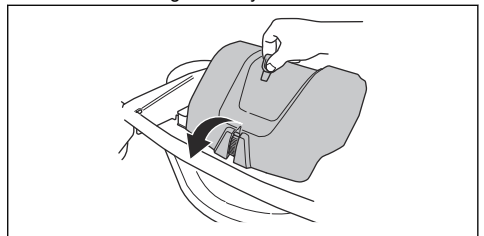
1. Move the seat fully forward. See *To adjust the seat on page 16*.
2. Tilt the seat forward.
3. Remove the cotter pins and clevis pins from the hinges behind the seat.
4. Pull the clips on the engine cover rearward. The clips are found on the inner surface of the engine frame.



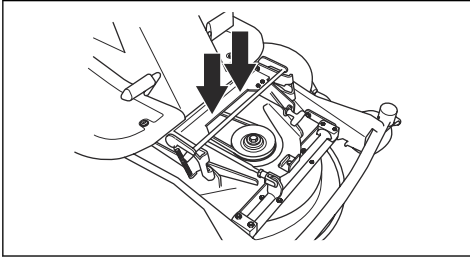
5. Lift and remove the engine cover.

To remove the front cover

1. Release the clip on the front cover with the tool attached to the ignition key.

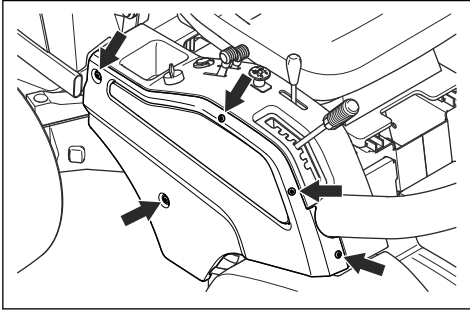


2. Remove the front cover. It is attached to the equipment frame with 2 hooks.



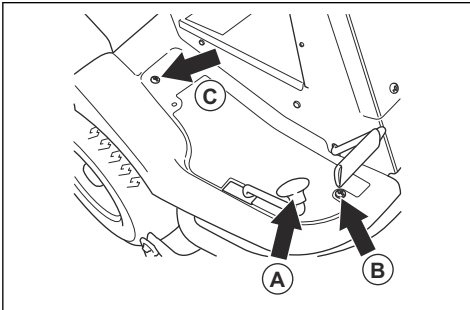
To remove the side cover

- Remove the 5 screws and remove the side cover.



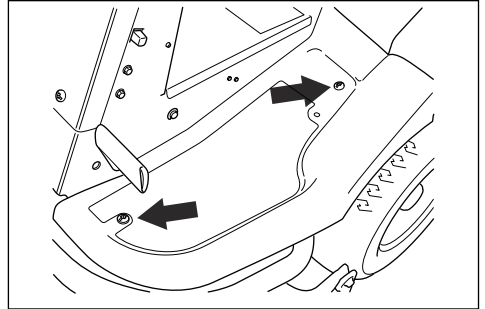
To remove the right footrest plate

1. Turn and remove the knob on the rearward drive pedal (A).
2. Remove the 2 screws (B and C) and remove the footrest plate.



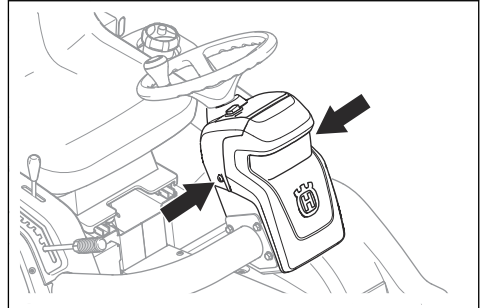
To remove the left footrest plate

- Remove the 2 screws and remove the footrest plate.

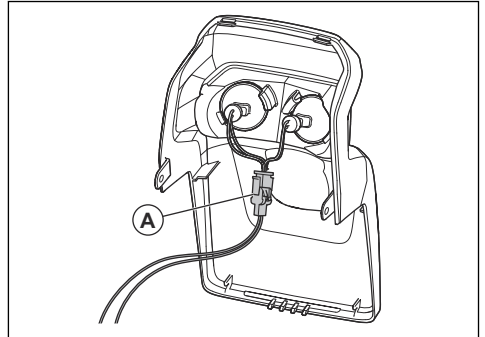


To replace a broken lamp

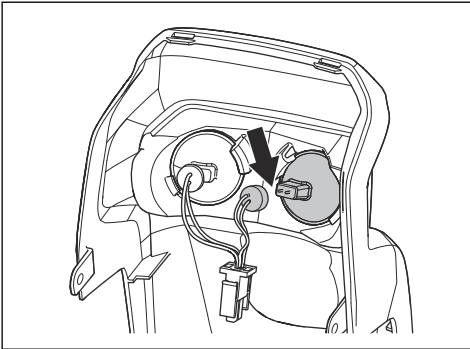
1. Remove the 2 screws, one on each side, and remove the cover.



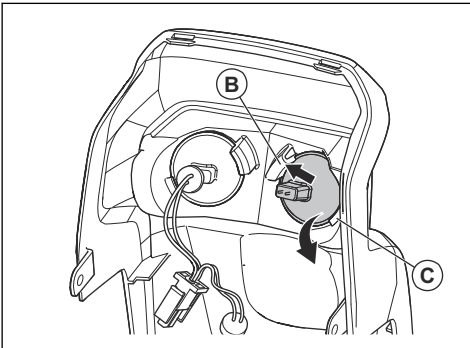
2. Disconnect the cables at the connection (A).



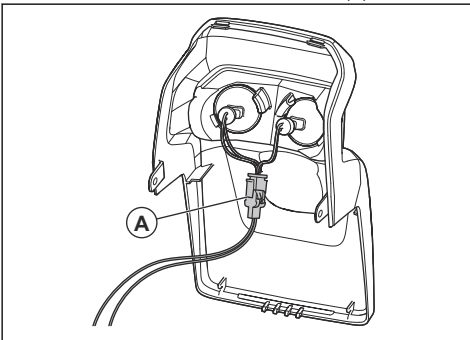
3. Disconnect the cables from the broken lamp.



4. Push the broken lamp toward the inner lamp attachment (B).



5. Lift the outer edge (C) of the lamp to remove the lamp.
6. Replace the broken lamp. Use the type of lamp as given in *Technical data on page 44*.
7. Connect the cables to the new lamp.
8. Connect the cables at the connection (A).



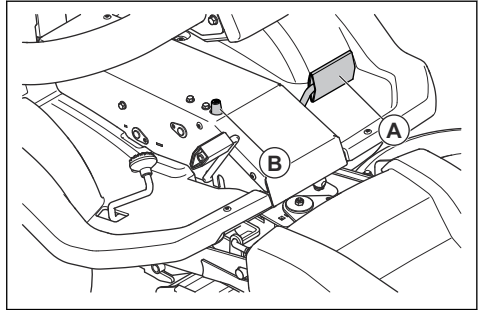
9. Attach the cover and tighten the 2 screws.

To do a check of the parking brake

1. Park the product on a hard surface that slopes.

Note: Do not park the product on a grass slope when you do a check of the parking brake.

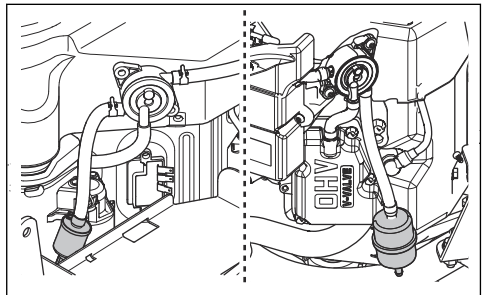
2. Press the parking brake pedal down (A).
3. Press and hold the lock button (B) and release the parking brake pedal while the button is pressed.



4. If the product starts to move, let an approved service agent adjust the parking brake.
5. Press the parking brake pedal again to release the parking brake.

To replace the fuel filter

1. Remove the engine cover to get access to the fuel filter. The right illustration shows P 524. The left illustration shows P 524EFI.



2. Move the hose clips away from the fuel filter with a pair of flat pliers.
3. Pull off the fuel filter from the hose ends.
4. Press the new fuel filter into the ends of the hoses. Apply liquid detergent to the ends of the fuel filter to make the connection easier.
5. Push the hose clips against the fuel filter.

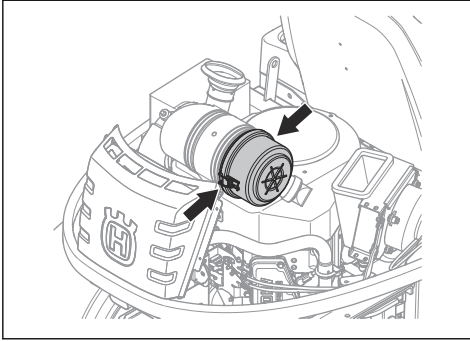
To clean and replace the air filter



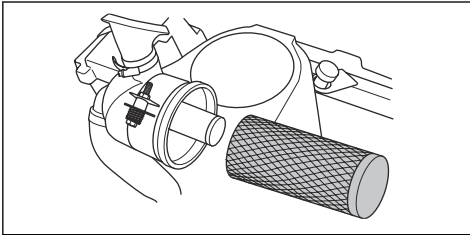
CAUTION: Do not start the engine when the air filter is not attached.

1. Remove the engine cover.

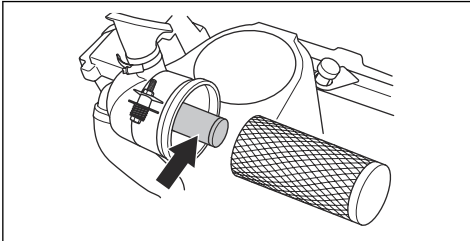
- Loosen the 2 knobs that hold the air filter cover.



- Remove the the air filter cover.
- Remove the air filter cartridge from the filter housing.



- Hit the air filter cartridge carefully against a hard surface and blow with compressed air on the inner surface. Replace the air filter if it does not become clean or if it is damaged.
- Remove the inner air filter behind the air filter cartridge.



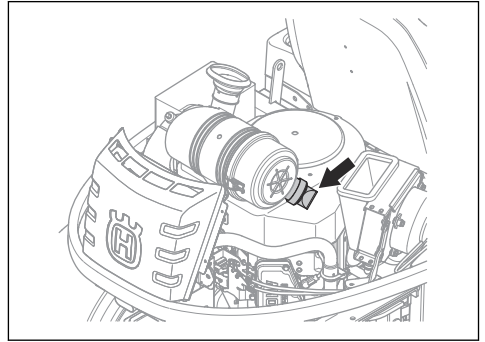
- Hit the inner air filter against a hard surface to clean it. Replace the air filter if it does not become clean or if it is damaged.



CAUTION: Do not use compressed air to clean the inner air filter.

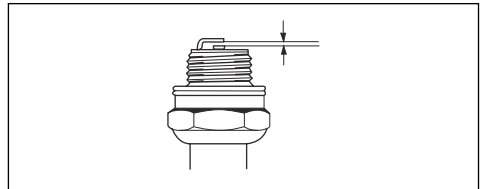
- Put the inner air filter and the air filter cartridge back in their initial positions in the filter housing. Make sure that the air filter cartridge is correctly attached on top of the air intake.

- Attach the air filter cover and make sure that the particle collector points down.



To examine and replace the spark plug

- Open the engine cover.
- Remove the ignition cable shoe and clean around the spark plug.
- Remove the spark plug with a $\frac{3}{4}$ " (19 mm) spark plug wrench.
- Examine the spark plug. Replace it if the electrodes are burned or if the insulation has cracks or damages. If the spark plug is not damaged, clean it with a steel brush.
- Measure the electrode gap and make sure that it is correct. See *Technical data on page 44*.



- Bend the side electrode to adjust the electrode gap.
- Put the spark plug back in and turn it by hand until it touches the spark plug seat.
- Tighten the spark plug with the spark plug wrench until the washer is compressed.
- Tighten a used spark plug $\frac{1}{8}$ of a turn more, and a new spark plug $\frac{1}{4}$ turn more.



CAUTION: Spark plugs that are not tightened correctly can cause damage to the engine.

- Replace the ignition cable shoe.



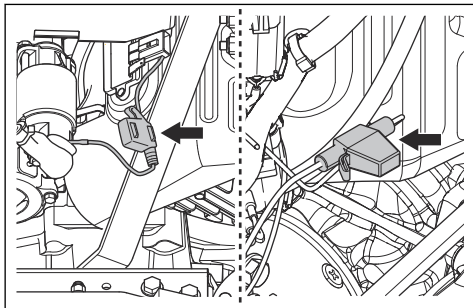
CAUTION: Do not try to start the engine if the spark plug or ignition cable is removed.

To replace a fuse

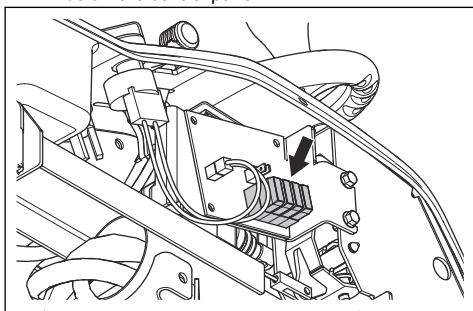
A broken fuse is identified by a burned connector.

1. Remove the cover to get access to the broken fuse.

- a) To replace the main fuse, remove the engine cover. The main fuse is in a holder below the battery. The right illustration shows P 524. The left illustration shows P 524EF1.



- b) To replace the fuse for the power outlet, remove the side cover. The fuse for the power outlet is below the control panel.



2. Pull the fuse from the holder.
3. Replace the blown fuse with a new fuse of the same type. Refer to *Technical data on page 44*.
4. Attach the covers.

Note: If the main fuse breaks again a short period after you replace it, there is a short circuit. Repair the short circuit before you operate the product again. Let an approved service agent help you.

To charge the battery

- Charge the battery if it is too weak to start the engine.
- Use a standard battery charger.



CAUTION: Do not use a boost charger or start booster. That will cause damage to the electrical system of the product.

- Always disconnect the charger before starting the engine.

To do an emergency start of the engine

If the battery is too weak to start the engine, you can use jumper cables to do an emergency start. This product has a 12 V system with negative ground. The product that is used for the emergency start must also have a 12 V system with negative ground.

To connect the jumper cables

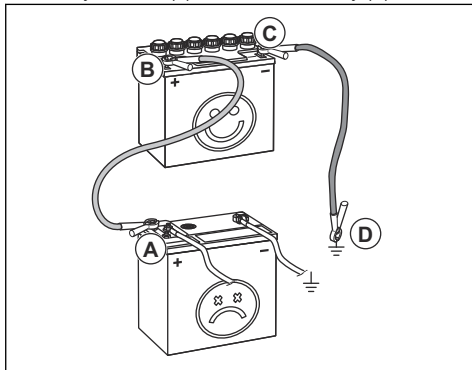


WARNING: Risk of explosion because of explosive gas that comes from the battery. Do not connect the negative terminal of the fully charged battery to or near the negative terminal of the weak battery.



CAUTION: Do not use the battery of your product to start other vehicles.

1. Remove the engine cover.
2. Remove the cover for the battery case.
3. Connect one end of the red cable to the POSITIVE battery terminal (+) on the weak battery (A).



4. Connect the other end of the red cable to the POSITIVE battery terminal (+) on the fully charged battery (B).



WARNING: Do not short circuit the ends of the red cable against the chassis.

5. Connect one end of the black cable to the NEGATIVE battery terminal (-) on the fully charged battery (C).
6. Connect the other end of the black cable to a CHASSIS GROUND (D), away from the fuel tank and the battery.
7. Replace the covers.

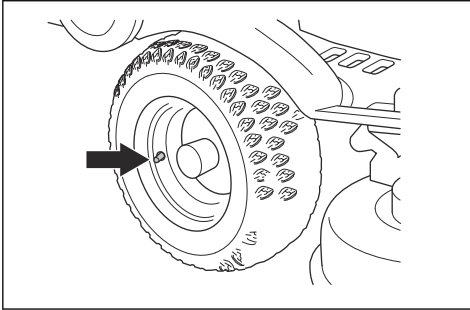
To remove the jumper cables

Note: Remove the jumper cables in the opposite sequence to how you connect them.

1. Remove the BLACK cable from the chassis.
2. Remove the BLACK cable from the fully charged battery.
3. Remove the RED cable from the 2 batteries.

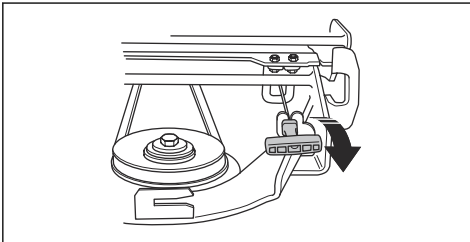
Tire pressure

We recommend a tire pressure of 100 kPa (1.0 bar / 14.5 PSI) on all 4 tires.



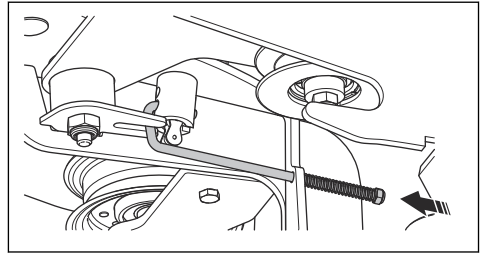
To replace the drive belt for the cutting deck

1. Lower the cutting deck.
2. Remove the front cover.
3. Pull the spring handle to the left out from the spring holder to loosen the tension on the tension wheel for the drive belt.

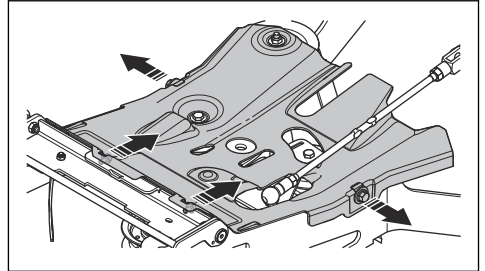


4. Remove the left side cover on the cutting deck.

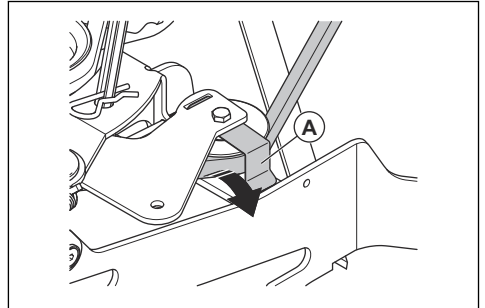
5. Pull the spring stay from the lift chain.



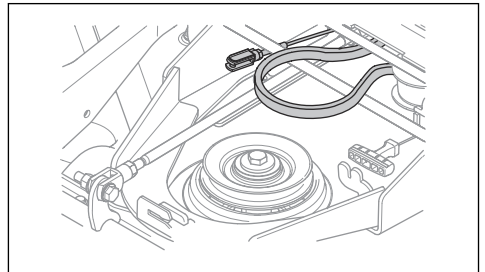
6. Remove the 4 screws and remove the belt guard.



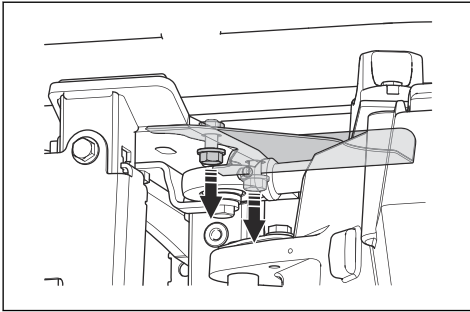
7. Remove the belt from the pulley, lift the belt holder (A) and remove the belt from the tension wheel.



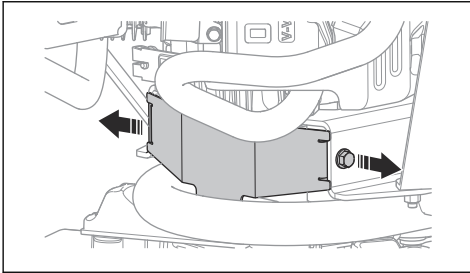
8. Remove the belt from the pulley on the tool frame.



9. Remove the belt guard below the engine pulley.

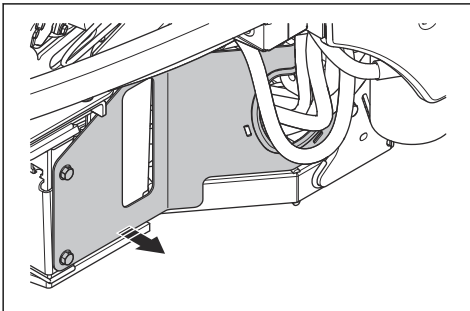


10. Remove the belt guard in front of the rear transmission.

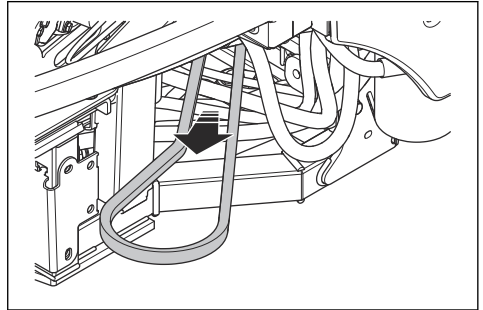


11. Remove the belt from the engine pulley.

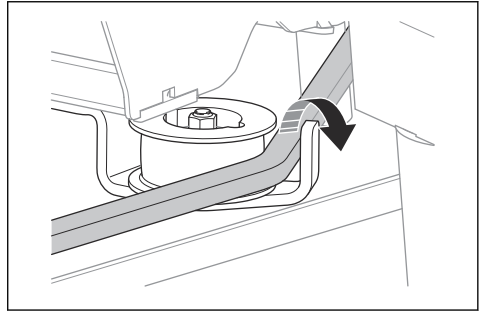
12. Remove the belt guard on the right side of the machine.



13. Pull the front part of the belt out through the right side of the articulation of the product.



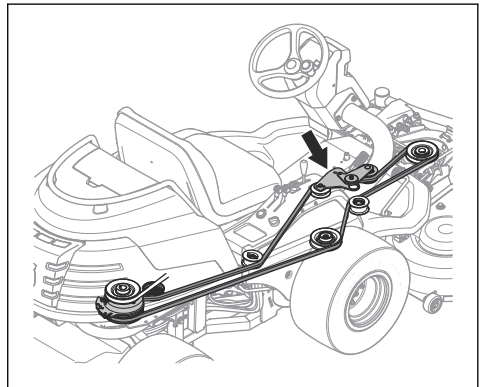
14. Remove the belt from the hook on the center pulley.



15. Pull the drive belt out.

16. Attach a new drive belt in the opposite sequence.

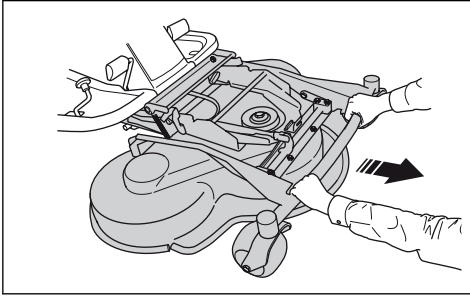
Make sure that the drive belt for the cutting deck is attached as the illustration shows. Make sure that it is put correctly in the adjuster pulley, identified by an arrow in the illustration.



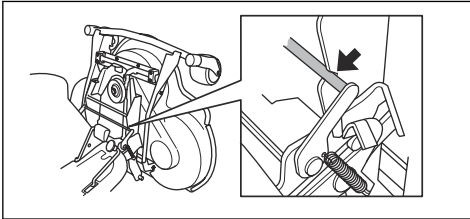
To put the cutting deck in servicing position

1. See steps 1–8 in *To remove the cutting deck on page 15.*

2. Hold the front edge of the cutting deck with two hands and pull forward until it stops.

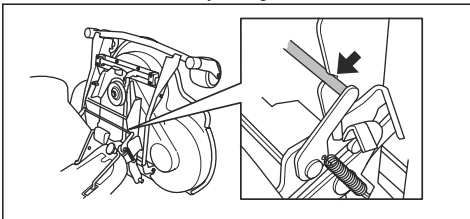


3. Lift the cutting deck to vertical position until a click sound is heard. The cutting deck is locked automatically in the vertical position.

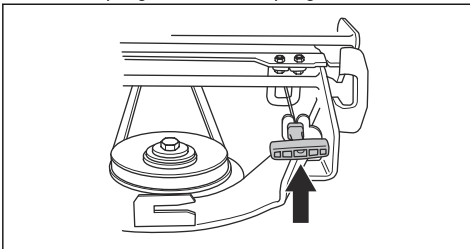


To put the cutting deck in mow position

1. Hold the front edge of the cutting deck with your left hand.
2. Loosen the lock with your right hand.



3. Lower the cutting deck and push it in until it stops.
4. Put the drive belt around the drive wheel for the cutting deck.
5. Attach the height adjustment cable.
6. Put the spring handle in the spring holder.

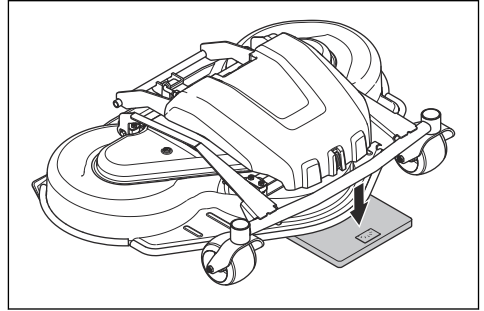


7. Attach the front cover.

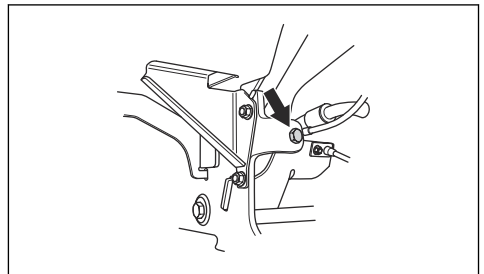
To examine and adjust the ground pressure from the cutting deck

A correct ground pressure makes sure that the cutting deck moves along the surface but does not press too hard against it.

1. Do a check of the air pressure in the tires. Refer to *Tire pressure on page 29*.
2. Park the product on a level surface.
3. Lower the cutting deck to mow position.
4. Put a bathroom scale below the front edge of the cutting deck.



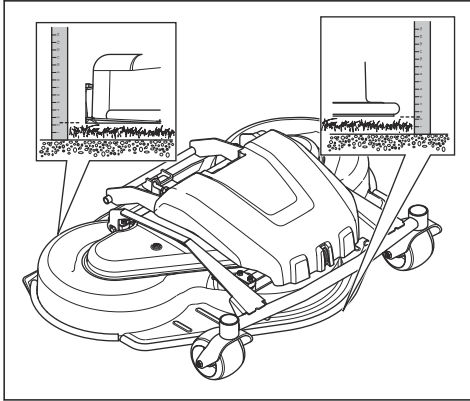
5. Put a wooden block between the frame and the bathroom scale. The wooden block makes sure that no weight is applied on the support wheels.
6. Correct ground pressure is between 12 and 15 kg (26.5-33 lb). To adjust the ground pressure, turn the adjustment screws found behind the front wheels on the right and left sides.
7. Turn the screws right or left until the ground pressure is between 12 and 15 kg (26.5-33 lb). Make sure that the springs have equal tension on the right and left sides.



To do a check of the parallelism of the cutting deck

1. Do a check of the air pressure in the tires. Refer to *Tire pressure on page 29*.
2. Park the product on a level surface.
3. Lower the cutting deck to mow position.

4. Set the cutting height lever to the middle position.
5. Measure the distance between the ground and the front and rear edges of the cutting deck. Make sure that the rear edge is 4–6 mm (1/5 in.) higher than the front edge.



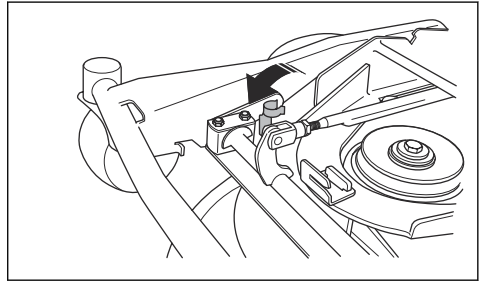
4. Tighten the nuts on the track rod when the adjustment is done.
5. Do a check of the parallelism. Refer to *To do a check of the parallelism of the cutting deck on page 31*.
6. Attach the front cover.

To replace the V-belt on the cutting deck

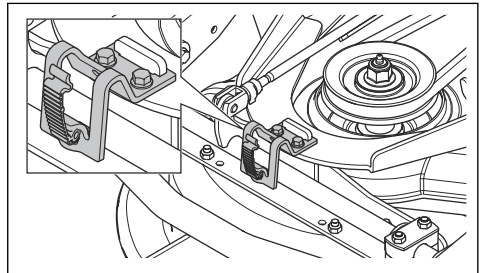


WARNING: Risk of crush injury. Use protective gloves.

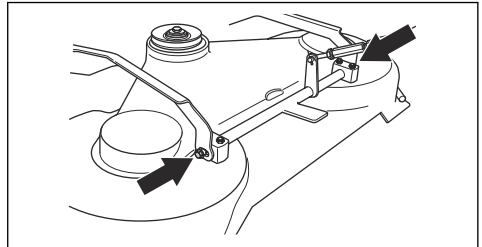
1. Remove the cutting deck. Refer to *To remove the cutting deck on page 15*.
2. Open the lock for the track rod bolt.



3. Remove the 2 bolts that hold the lock bracket on the cutting deck frame.

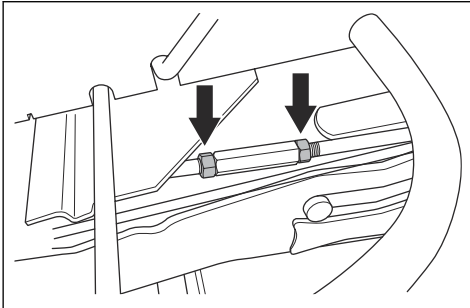


4. Remove the lock bracket and remove the cutting deck frame.
5. Remove the 2 bolts on the cutting deck frame.

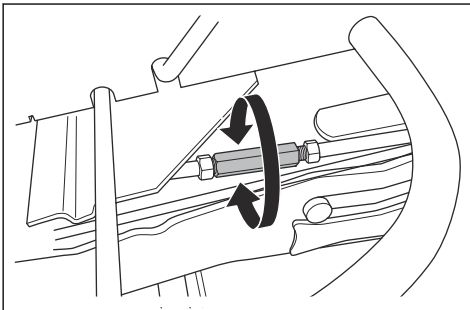


To adjust the parallelism of the cutting deck

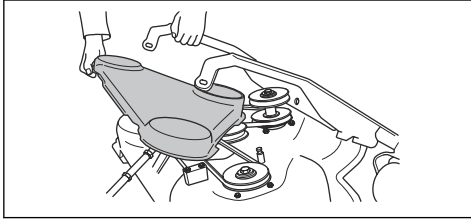
1. Remove the front cover.
2. Loosen the nuts on the track rod.



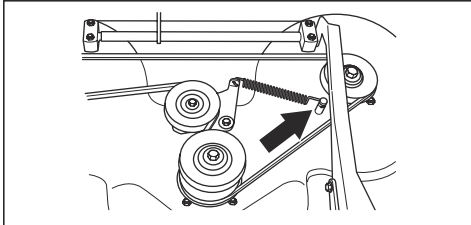
3. Turn the track rod to extend it or make it shorter. Extend the track rod to lift the rear edge of the cover. Make the track rod shorter to lower the rear edge of the cover.



- Remove the screws on the cutting deck cover. Lift the cutting deck frame and remove the cutting deck cover.



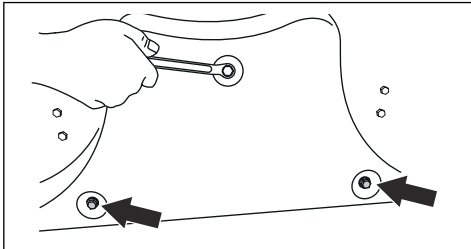
- Disconnect the tension spring for the V-belt and remove the V-belt.



- Attach a new V-belt in the opposite sequence.

To remove and attach the BioClip plug

- Put the cutting deck in servicing position.
- Remove the 3 screws that hold the BioClip plug and remove the plug.



- Attach 3 M8x15 mm screws in the screw holes for the BioClip plug to prevent damage to the threads.
- Put the cutting deck in mow position.
- Attach the BioClip plug in the opposite sequence.

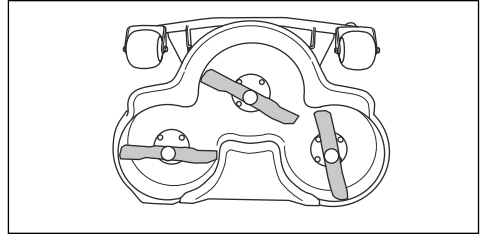
To examine the blades



CAUTION: Damaged or incorrectly balanced blades can cause damage to the product. Replace damaged blades. Let an approved service agent help you sharpen and balance blunt blades.

- Put the cutting deck in servicing position.

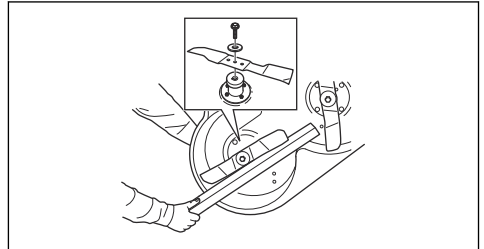
- Look at the blades to see if they are damaged and if it is necessary to sharpen them.



- Tighten the blade bolts with tightening torque 80–85 Nm.

To replace the blades

- Put the cutting deck in servicing position.
- Lock the blade with a wooden block.



- Loosen and remove the blade bolt, the washers and the blade.
- Assemble the new blade with the angled ends in the direction of the cutting deck.

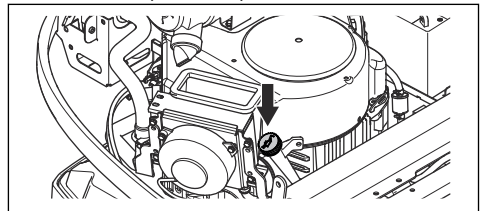


WARNING: Incorrect blade type can cause objects to eject from the cutting deck and cause serious injury. Use only the blades given in *Technical data on page 44*.

- Attach the blade, the washer and the bolt. Tighten the bolt with a tightening torque of 80–85 Nm.

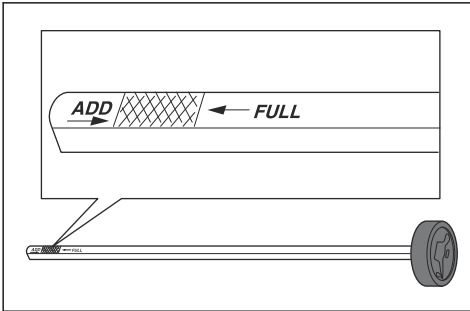
To do a check of the engine oil level

- Park the product on level ground and stop the engine.
- Remove the engine cover.
- Loosen the dipstick and pull it out.

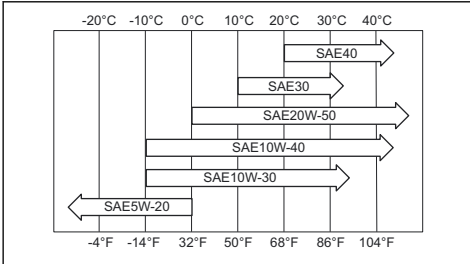


- Clean the oil from the dipstick.

- Put the dipstick back in. Do not tighten it.
- Pull the dipstick out and read the oil level.
- The oil level must be between the marks on the dipstick. If the level is near the ADD mark, fill oil to the FULL mark.



- Fill the oil slowly through the hole for the dipstick. Use an oil with viscosity that agrees with the temperature ranges in the figure.



CAUTION: Do not mix different types of oil.

- Tighten the dipstick correctly before you start the engine. Start and idle the engine for approximately 30 seconds. Stop the engine. Wait 30 seconds and do a check of the oil level again.

To replace the engine oil and the oil filter

If the engine is cold, start the engine for 1–2 minutes before you drain the engine oil. This makes the engine oil warm and easier to drain.

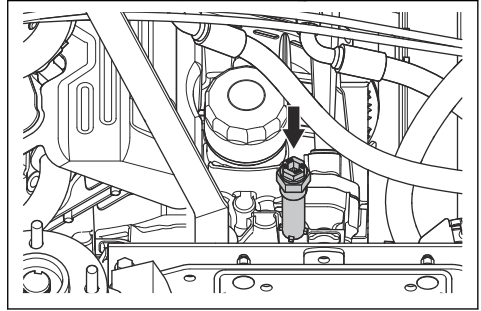


WARNING: Do not operate the engine for more than 1–2 minutes before you drain the engine oil. The engine oil becomes very hot and can cause burn injuries. Let the engine become cool before you drain the engine oil.

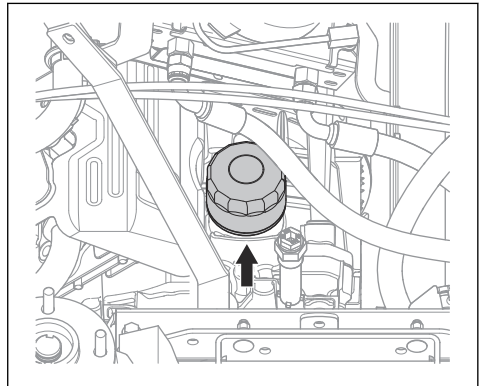


WARNING: If you spill engine oil on your body, clean with soap and water.

- Remove the engine cover.
- Put a container below the oil drain plug.



- Remove the dipstick.
- Remove the oil drain plug from the engine.
- Let the oil run out into the container.
- Attach the oil drain plug and tighten it fully.
- Turn the oil filter counterclockwise to remove it.

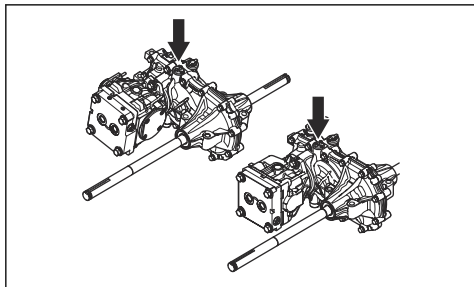


- Lightly lubricate the rubber seal on the new oil filter with new oil.
- To attach the oil filter, turn it clockwise by hand until the rubber seal is in position, then tighten a half turn more.
- Fill with new oil as given in *To do a check of the engine oil level on page 33*.
- Start the engine and let it idle for 3 minutes.
- Stop the engine and make sure that the oil filter does not leak.
- Fill with oil to compensate for the oil held in the new oil filter.

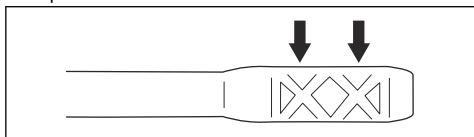
Note: For safe disposal of used engine oil, see *Disposal on page 43*.

To do a check of the transmission oil level

1. Use the oil dipstick to read the oil level in the transmission.



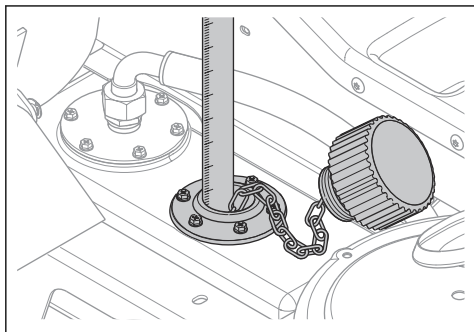
2. The oil level must be between the marks on the dipstick.



3. If the oil level is too low, fill with the type of oil given in *Technical data on page 44*.

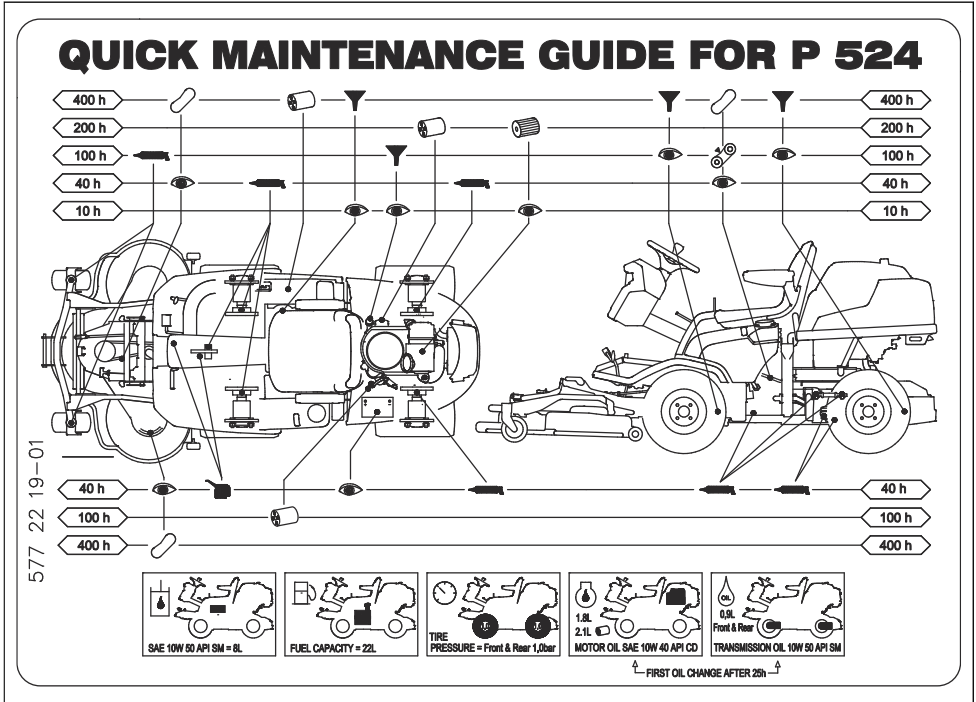
To do a check of the oil level in the hydraulic system

1. Tilt the seat forward.
2. Clean the area around the oil cap with a dry cloth.
3. Remove the oil cap and examine the hydraulic oil level. Correct level is 40–60 mm from the top of the strainer.



4. If the oil level is too low, fill with the type of oil given in *Technical data on page 44*.

Quick maintenance guide



Symbols on the quick maintenance guide



Replace the filter



Replace the oil



Examine visually or do a check of the oil level



Lubricate the grease nipple with grease



Lubricate with engine oil

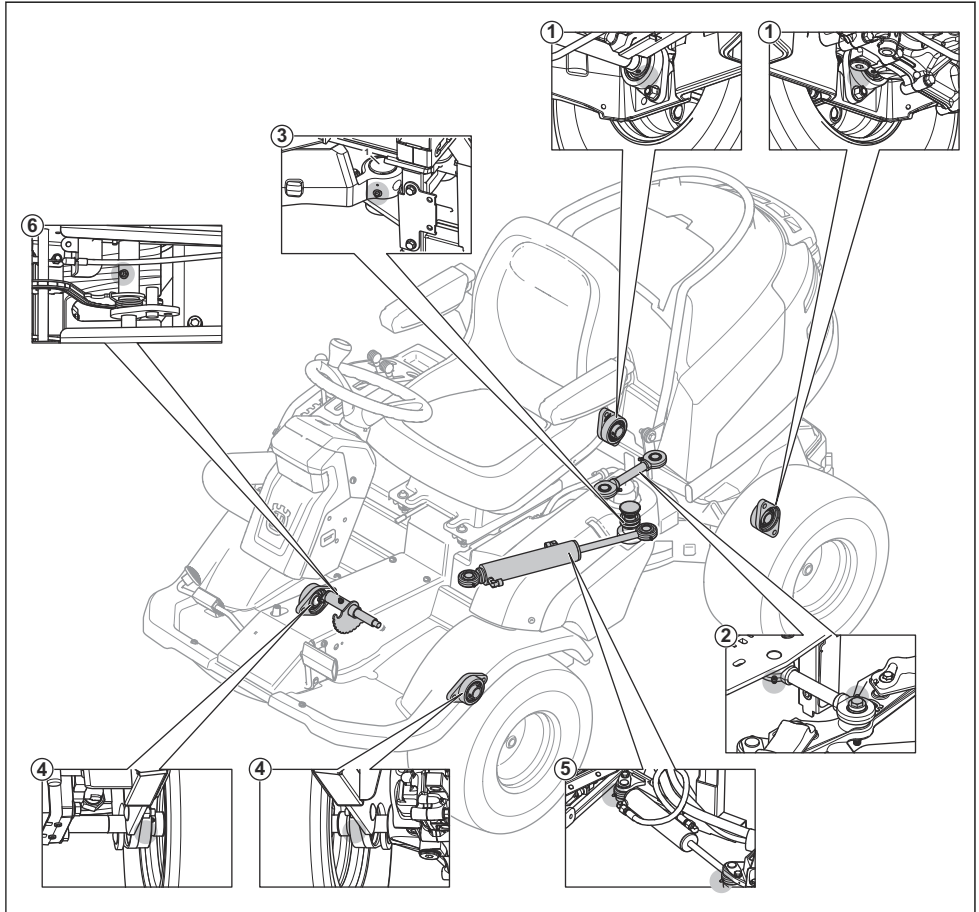


Do a check of the condition and tension of the drive belt



Replace the drive belt

Lubrication overview



1. Rear axle bearing
2. Link rod
3. Articulation bearing
4. Front axle bearing
5. Steering cylinder
6. Lift chain axle

- Do not spill lubricant on the drive belts or the grooves of the belt pulleys. If you do spill, clean with alcohol. If the friction between the drive belt and the pulley is not sufficient after you clean with alcohol, replace the drive belt.

Lubrication, general information

- Remove the ignition key to prevent accidental movements during lubrication.
- Use engine oil when you lubricate with an oil can.
- When you lubricate with grease, use a chassis or ball bearing grease that prevents corrosion. Remove unwanted grease after lubrication.
- Lubricate 2 times a week if you operate the product daily.



CAUTION: Do not use gasoline or other petroleum products to clean drive belts.

To lubricate cables

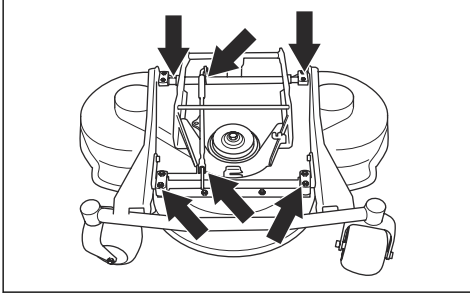
- Lubricate the 2 ends of the cables and move the controls to the end positions.
- Attach the rubber covers on the cables after lubrication.

- Cables with casing must be lubricated regularly to prevent malfunction.
 - a) Remove the cable and hang it vertically.
 - b) Lubricate the cable with thin engine oil until the oil starts to release from the bottom. Replace the cable if the oil does not release from the bottom.

Note: You can fill a small plastic bag with oil and seal the plastic bag against the cable casing with tape. Let the cable hang vertically from the bag until the next day.

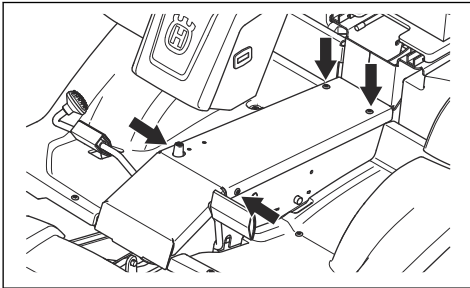
To lubricate the cutting deck

1. Remove the front cover.
2. Lubricate the joints and the bearings with engine oil.

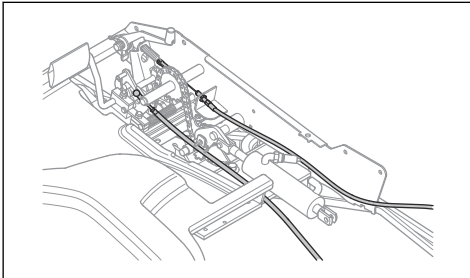


To lubricate the pedal system

1. Remove the 4 screws and remove the frame plate.



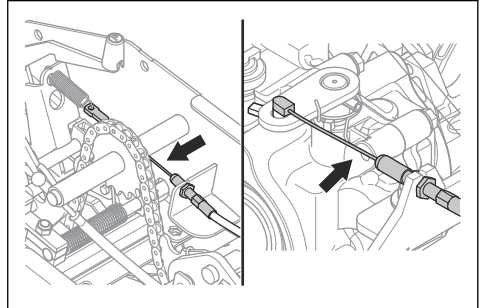
2. Push and release the pedals and lubricate the parts that move with engine oil.



3. Lubricate the cables for the forward and rearward drive pedals with engine oil.

To lubricate the parking brake cable

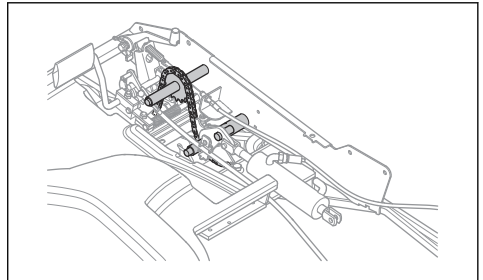
1. Remove the 4 screws and remove the frame plate.
2. Remove the left side cover.
3. Remove the rubber casing on the parking brake cable.
4. Lubricate the ends of the parking brake cable with engine oil.



5. Lubricate the parking brake cable with engine oil.
6. Press the parking brake pedal 3 times and lubricate the parking brake cable again.
7. Attach the left side cover and the frame plate.

To lubricate the chains in the frame tunnel

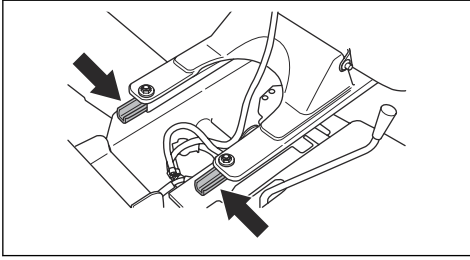
1. Remove the screws and remove the frame plate.
2. Lubricate the chain in the frame tunnel with engine oil or chain lubricant spray.



To lubricate the seat slides

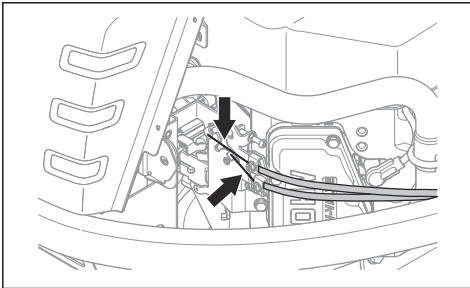
1. Tilt the seat forward.

2. Lubricate the seat slides with engine oil.

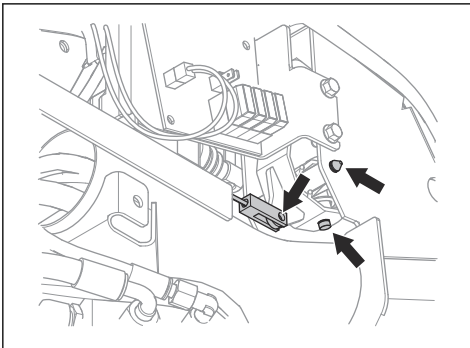


To lubricate the throttle cable, choke cable and lever bearings (P 524)

1. Remove the right side cover.
2. Lubricate the free ends of the cables, including the ends near the engine, with engine oil.



3. Move the throttle control, choke control and the controls for the cutting deck to their end positions and lubricate the cables again.
4. Lubricate the joints, catches and bearings of the controls for the cutting deck with engine oil.

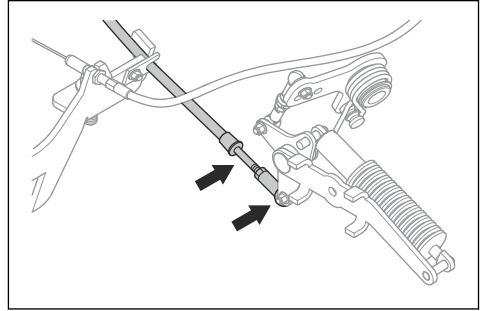


5. Attach the right side cover.

To lubricate the hydrostatic transmission cable

1. Lubricate the joints and bearings of the hydrostatic transmission cable with engine oil.

2. Remove the rubber sleeve and lubricate the hydrostatic transmission cable with engine oil.

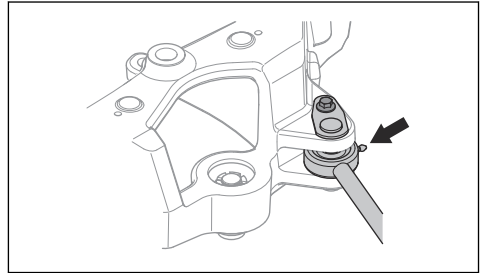


3. Press the forward drive pedal 5 times and lubricate the hydrostatic transmission cable again.
4. Attach the rubber sleeve.

To lubricate the steering cylinder

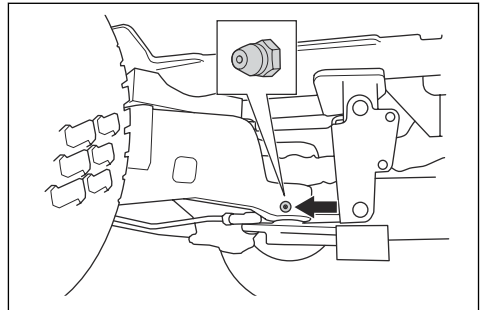
The steering cylinder has 2 grease nipples, one on each end.

- Lubricate with a grease gun until grease comes out.



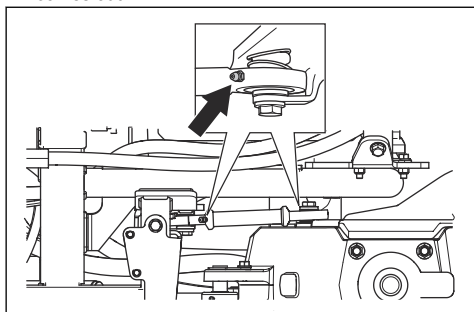
To lubricate the joint bearing

1. Lubricate the joint bearing of the articulation with a grease gun until grease comes out.



To lubricate the link rod

1. There are 2 grease nipples, one on each side of the link rod. Lubricate with a grease gun until grease comes out.



Troubleshooting

If you cannot find a solution to your problems in this manual, speak to your Husqvarna service agent.

Problem	Cause
The starter motor does not turn the engine over	The parking brake is not applied. Refer to <i>To apply and release the parking brake on page 20</i> .
	The lift lever for the cutting deck is in mow position. Refer to <i>To lift the cutting deck on page 17</i> .
	The main fuse is blown. Refer to <i>To replace a fuse on page 28</i> .
	The ignition lock is defective.
	The connection between the cable and the battery is bad. Refer to <i>Battery safety on page 13</i> .
	The battery is too weak. Refer to <i>To charge the battery on page 28</i> .
	The starter motor is defective.
The engine does not start when the start motor turns the engine over	There is no fuel in the fuel tank. Refer to <i>To fill fuel on page 16</i> .
	The spark plug is defective.
	The ignition cable is defective.
	There is dirt in the carburetor or fuel line (P 524).
	There is dirt in the fuel line (P 524EFI).

Problem	Cause
The engine does not run smoothly	The spark plug is defective.
	The carburetor is incorrectly set (P 524).
	The air filter is clogged. Refer to <i>To clean and replace the air filter on page 26</i> .
	The fuel tank vent is blocked.
	There is dirt in the carburetor or fuel line (P 524).
	There is dirt in the fuel line (P 524EFI).
	The choke cable is incorrectly adjusted (P 524).
The engine apparently has no power	The air filter is clogged. Refer to <i>To clean and replace the air filter on page 26</i> .
	The spark plug is defective.
	There is dirt in the carburetor or fuel line (P 524).
	There is dirt in the fuel line (P 524EFI).
	The throttle cable is incorrectly adjusted.
The transmission does not have sufficient power	The transmission cold air intake or the cooling fins are blocked.
	There is no oil in the transmission or the oil level is too low. Refer to <i>To do a check of the transmission oil level on page 35</i> .
The battery does not charge	The battery is defective. Refer to <i>Battery safety on page 13</i> .
	The connection at the cable connectors on the battery terminals is bad. Refer to <i>Battery safety on page 13</i> .
There is vibration in the product	The blades are loose. Refer to <i>To examine the blades on page 33</i> .
	One or more of the blades are not balanced. Refer to <i>To examine the blades on page 33</i> .
	The engine is loose.
The cutting result is unsatisfactory	The blades are blunt. Refer to <i>To replace the blades on page 33</i> .
	The grass is long or wet. Refer to <i>To get a good cutting result on page 21</i> .
	The cutting deck is skew.
	There is grass blockage in the cutting deck. Refer to <i>To clean the product on page 23</i> .
	The tire pressure is different on the right and left sides. Refer to <i>Tire pressure on page 29</i> .
	The product is operated at a too high speed. Refer to <i>To get a good cutting result on page 21</i> .
	The engine speed is too low. Refer to <i>To get a good cutting result on page 21</i> .
	The drive belt slips.

Problems related to the warning lamps on P 524EFI

Problem	Symptom	Cause
The engine speed is decreased to low idle and the engine malfunction lamp is on	The engine is too hot.	There is dirt on the inner surfaces of the engine housing.
		The temperature sensor or circuit is defective.
	The battery voltage is incorrect.	The battery is too weak or defective. Refer to <i>To charge the battery on page 28</i> .
		The power supply or the charging system is defective.
	The input sensor for the hand throttle does not operate correctly.	The wiring is incorrect or the sensor is defective.
	The internal ECU / throttle body does not operate correctly.	The throttle valve control is defective.
The throttle sensor position is defective.		
The engine speed is decreased to low idle and the lamp for low oil pressure is on	The oil pressure is too low.	The oil level is low. Refer to <i>To do a check of the engine oil level on page 33</i>
		The oil switch or circuit is defective.
		The lubrication system is defective.

Transportation, storage and disposal

Transportation

- The product is heavy and can cause crush injuries. Be careful when you load it onto or off a vehicle or trailer.
- Use an approved trailer for transportation of the product.
- Make sure that you have knowledge of local road traffic regulations before transportation of the product in a trailer or on roads.

To safely attach the product on a trailer for transport



WARNING: The parking brake is not sufficient to lock the product during transport. Attach the product tightly to the trailer.

Equipment: 2 approved tension belts and 4 wedge shaped wheel blocks.

1. Apply the parking brake.

2. Attach the tension belts around the frame or rear wagon.
3. Tighten the tension belts in the direction of the rear and the front of the trailer to secure the product.
4. Put the wheel blocks in front of and behind the rear wheels.

To tow the product

The product has a hydrostatic transmission. To prevent damage to the transmission, tow the product short distances only and at low speed.

Disengage the transmission when you tow. See *To release and apply the hydraulic pressure on page 16*.

Storage

Prepare the product for storage at the end of the season, and before more than 30 days of storage. If you keep fuel in the fuel tank for 30 days or more, tacky particles can cause blockage in the carburetor. This has a negative effect on the engine function.

To prevent tacky particles during storage, add a stabilizer. If alkylate gasoline is used, stabilizer is not necessary. If you use standard gasoline, do not change to alkylate gasoline. This can cause sensitive rubber parts to become hard. Add stabilizer to the fuel in the tank or in the container used for storage. Always use the mixing ratios given by the manufacturer. Run the engine for a minimum of 10 minutes after you add the stabilizer until it flows into the carburetor.



WARNING: Do not keep the product with fuel in the tank in an indoor location or in locations with bad airflow. Risk of fire if fuel fumes come near open flames, sparks, or pilot lights in for example boilers, hot water tanks and clothes dryers.



WARNING: Remove grass, leaves and other flammable materials from the product to decrease the risk of fire. Let the product become cool before you put it in storage.

- Clean the product, see *To clean the product on page 23*. Repair paint damages to prevent corrosion.
- Examine the product for worn or damaged parts and tighten loose screws and nuts.
- Remove the battery. Clean it, charge it, and keep it cool during storage.
- Change the engine oil, and discard the waste oil.
- Empty the fuel tank. Start the engine and run it until there is no remaining fuel in the carburetor.

Note: Do not empty the fuel tank and carburetor if a stabilizer has been added.

- Remove the plugs and put about a tablespoon of engine oil into each cylinder. Manually turn the engine shaft to apply the oil and put the plugs back on.
- Lubricate all grease nipples, joints and axles.
- Keep the product in a clean and dry area and cover it for more protection.
- A cover for protection of your product during storage or transport is available at your dealer.

Disposal

- Chemicals can be dangerous and must not be discarded on the ground. Always discard used chemicals at a service center or an applicable disposal location.
- When the product is worn out, send it to the dealer or to an applicable recycling location.
- Oil, oil filters, fuel and the battery can have negative effects on the environment. Obey the local recycling requirements and applicable regulations.
- Do not discard the battery as domestic waste.
- Send the battery to a Husqvarna service agent or discard it at a disposal location for used batteries.

Technical data

Technical data

	P 524	P 524EFI
Dimensions , refer also to <i>Product dimensions on page 46</i>		
Length without cutting deck, mm	2058	2058
Weight without cutting deck, with empty tanks, kg	427	432
Tire dimensions	18×8.50×8	18×8.50×8
Tire pressure, rear – front, kPa / bar / PSI	100 / 1.0 / 14.5	100 / 1.0 / 14.5
Max. gradient, degrees °	10	10
Engine		
Brand / Model	Kawasaki / V-Twin, FX691V-KME09023	Kawasaki / V-Twin, FX730V EFI-KME01609-C1
Nominal engine output, kW ¹	13.9	15.6
Displacement, cm ³	726	726
Max. engine speed, rpm	3000 +/- 75	3000 +/- 75
Max. speed forward, km/h	13	13
Fuel, min. octane grade lead-free	95 (max. methanol 5%, max. ethanol 10%, max. MTBE 15%)	95 (max. methanol 5%, max. ethanol 10%, max. MTBE 15%)
Tank volume, l	22	22
Oil, API class CD or better	SAE 10W/40	SAE 10W/40
Oil volume incl. filter, l	2.1	2.1
Oil volume excl. filter, l	1.8	1.8
Start motor	Electric start 12V	Electric start 12V
Transmission		
Brand / Model	Kanzaki / KTM 23	Kanzaki / KTM 23
Oil, class API SM, ACEA A3/B4	SAE 10W/50 Synthetic	SAE 10W/50 Synthetic
Oil capacity gearbox front, l	0.9	0.9
Oil capacity gearbox rear, l	0.9	0.9
Hydraulic system		
Max. working pressure, bar/psi	120/1740	120/1740
Hydraulic tank capacity, l	8	8
Hydraulic system capacity, l	13	13

¹ The power rating of the engine indicated is the average net output (at specified rpm) of a typical production engine for the engine model measured to SAE standard J1349/ISO1585. Mass production engines may differ from this value. Actual power output for the engine installed on the final product will depend on the operating speed, environmental conditions and other values.

	P 524	P 524EFI
Oil, API class SM or better	SAE 10W/50 Synthetic	SAE 10W/50 Synthetic
Electrical system		
Type	12V, negative earthed	12V, negative earthed
Battery	12V, 24Ah	12V, 24Ah
Spark plug	NGK BPR4ES	NGK BPR4ES
Main fuse, flat pin type, A	20	20
Fuse for power outlet, flat pin type, A	5	5
Electrode gap, mm/in	0.75/0.030	0.75/0.030
Lamps	LED, 2×12V 4.6–6.5W, GU5.3, MR16	LED, 2×12V 4.6–6.5W, GU5.3, MR16
Cutting deck		
Type	Combi 103	Combi 122
	Combi 112	
	Combi 122	

Cutting deck	Combi 103	Combi 112	Combi 122
Cutting width, mm	1030	1120	1220
Cutting height, 7 positions, mm	25–80	25–80	25–80
Width, mm	1120	1220	1330
Weight, kg	49	56	64
Blade			
Length, mm	383	420	454
Article number	5041904-10	5041878-10	5354294-10
Noise emissions²			
Sound power level, measured dB(A)	99	99	102
Sound power level, guaranteed dB(A)	100	100	104
Sound levels³			
Sound pressure level at the operator's ear, dB(A)	86	85	89
Vibration levels⁴			

² Noise emissions in the environment measured as sound power (L_{WA}) in conformity with EC directive 2000/14/EC.

³ Noise pressure level according to EN ISO 5395. Reported data for noise pressure level has a typical statistical dispersion (standard deviation) of 1.2 dB(A).

⁴ Vibration level according to EN ISO 5395. Reported data for vibration level has a typical statistical dispersion (standard deviation) of 0.2 m/s² (steering wheel) and 0.8 m/s² (seat).

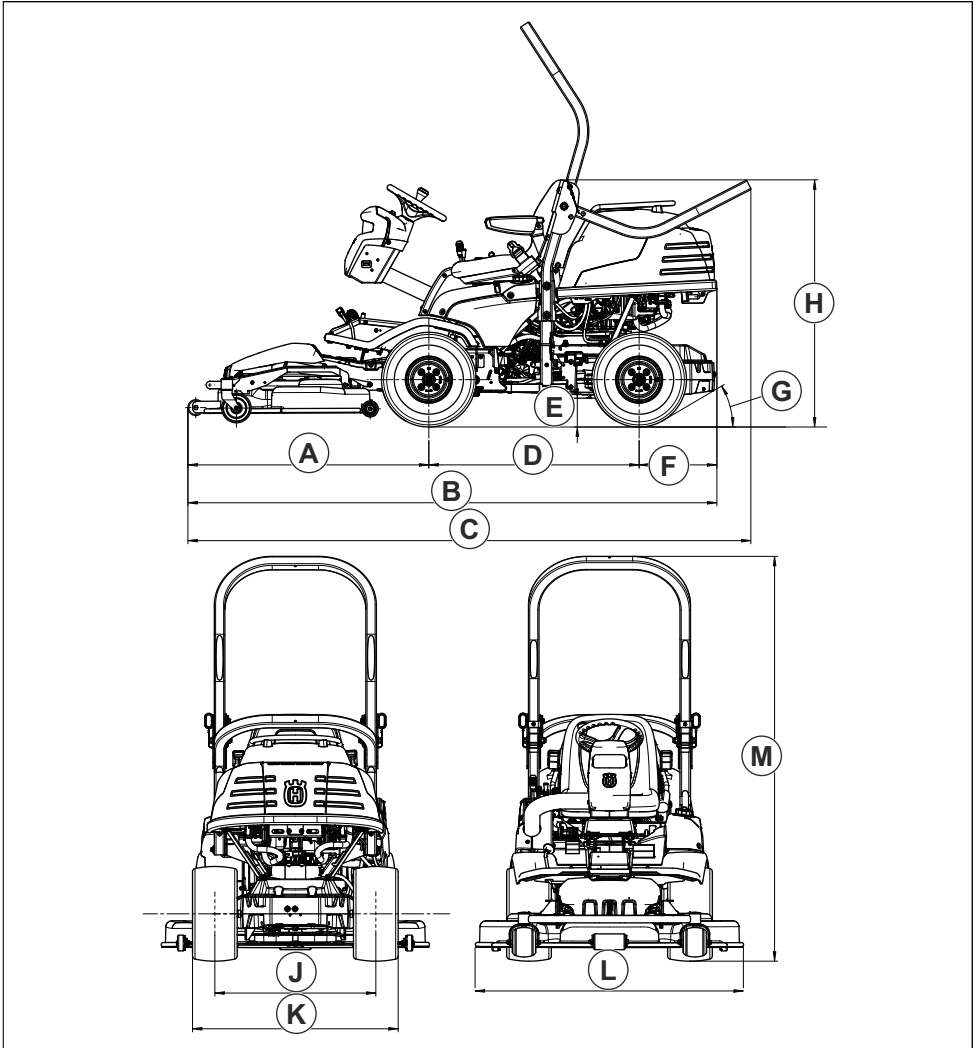
Cutting deck	Combi 103	Combi 112	Combi 122
Vibration level on the steering wheel, m/s^2	1.7	1.7	1.7
Vibration level in the seat, m/s^2	0.7	0.7	0.7



WARNING: To use a cutting deck that is not approved for the product can cause objects to eject at high speed and cause serious

injury. Do not use other cutting deck types than specified in this owner's manual.

Product dimensions



Dimensions that include the cutting deck are measured with the cutting deck Combi 122 attached.

A	1145 mm	D	1000 mm	G	30°	K	977 mm
B	2514 mm	E	137 mm	H	1174 mm	L	1275 mm
C	2675 mm	F	370 mm	J	765 mm	M	1924 mm

Accessories

Instructions for maintenance of optional equipment or accessories are not given in this operator's manual. See

the operator's manual for the accessory or equipment for instructions.

Service

Do a yearly check at an authorized service center to make sure that the product functions safely and at its best during high season. The best time to do a servicing or overhaul of the product is low season.

When you send an order for the spare parts, give information about the purchase year, model, type, and serial number.

Always use original spare parts.

Warranty

Transmission warranty

The transmission warranty is only applicable if checks are done of the front and rear wheel speed as specified in the maintenance schedule. To prevent damage to the transmission system, let an approved service agent adjust it.

EC Declaration of Conformity

EC Declaration of Conformity

Husqvarna AB, SE-561 82 Huskvarna, Sweden, tel: +46-36-146500, declares that the **ride-on lawn mower Husqvarna P 524 and P 524EFI** from 2018's serial numbers and onwards (the year is clearly stated in plain text on the rating plate with subsequent serial number), comply with the requirements of the COUNCIL'S DIRECTIVE:

- of May 17, 2006 "relating to machinery" **2006/42/EC**
- of February 26, 2014 "relating to electromagnetic compatibility" **2014/30/EU**
- of May 8, 2000 "relating to the noise emissions in the environment" **2000/14/EC**

Information regarding noise emissions and the mowing width, see Technical data.

The following harmonised standards have been applied:

EN ISO 12100, EN ISO 5395-1, EN ISO 5395-3

If not otherwise stated, the above listed standards are the latest published versions.

Notified body: **0404, RISE SMP Svensk Maskinprovning AB, Box 7035, SE-750 07 Uppsala** has issued reports regarding the assessment of conformity according to annex VI of the COUNCIL'S DIRECTIVE of May 8, 2000 "relating to the noise emissions in the environment" 2000/14/EC.

The certificates have the numbers: 01/901/141, 01/901/308

Huskvarna, 2018-05-18



Claes Losdal, Development Manager/Garden Products
(Authorized representative for Husqvarna AB and responsible for technical documentation)

Contenido

Introducción.....	49	Datos técnicos.....	94
Seguridad.....	56	Accesorios.....	98
Montaje.....	62	Servicio técnico.....	98
Funcionamiento.....	64	Garantía.....	98
Mantenimiento.....	69	Declaración CE de conformidad.....	99
Resolución de problemas.....	89	0
Transporte, almacenamiento y eliminación.....	92		

Introducción

Inspección previa a la entrega y números de producto

copia firmada del documento de inspección previa a la entrega de su distribuidor.

Nota: Se ha realizado una inspección previa a la entrega de este producto. Asegúrese de que recibe una

Información de contacto del taller de servicio:	
Este manual de usuario pertenece a un producto con número de producto/número de serie:	
/	
Motor:	
Transmisión:	

Descripción del producto

El producto es un tractor cortacésped. Los pedales de marcha adelante y marcha atrás permiten al operador ajustar la velocidad perfectamente. Un contador de horas muestra cuántas horas ha usado el operario el producto. El producto tiene faros, tracción a las cuatro ruedas (AWD) y se utiliza con equipos de corte Combi con BioClip.

Uso previsto

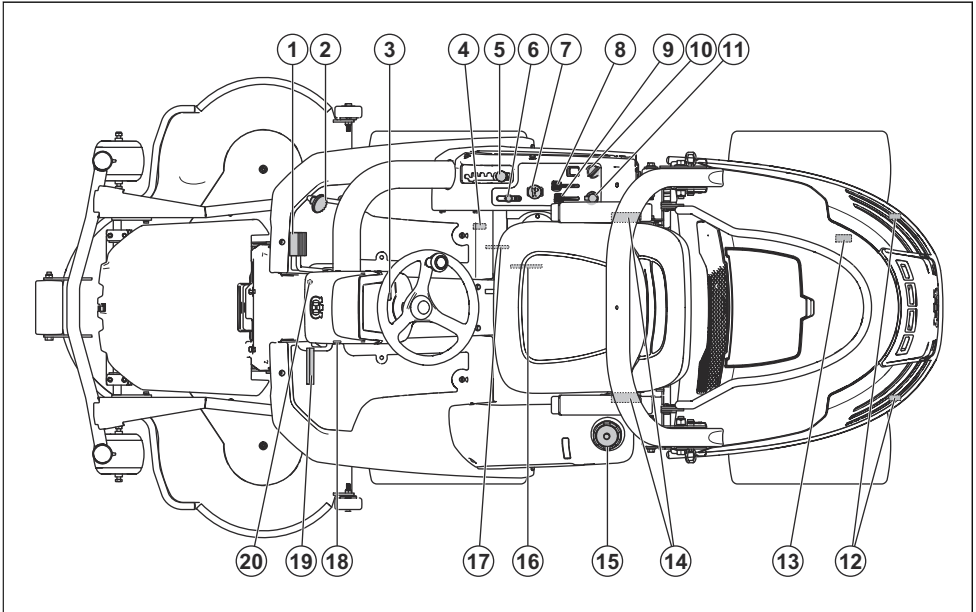
Los productos están diseñados para cortar hierba en espacios abiertos con suelo nivelado como zonas

residenciales y jardines. Conecte accesorios opcionales para utilizar el producto para otras tareas. Póngase en contacto con su distribuidor de Husqvarna para obtener más información sobre los accesorios disponibles.

Asegure su producto

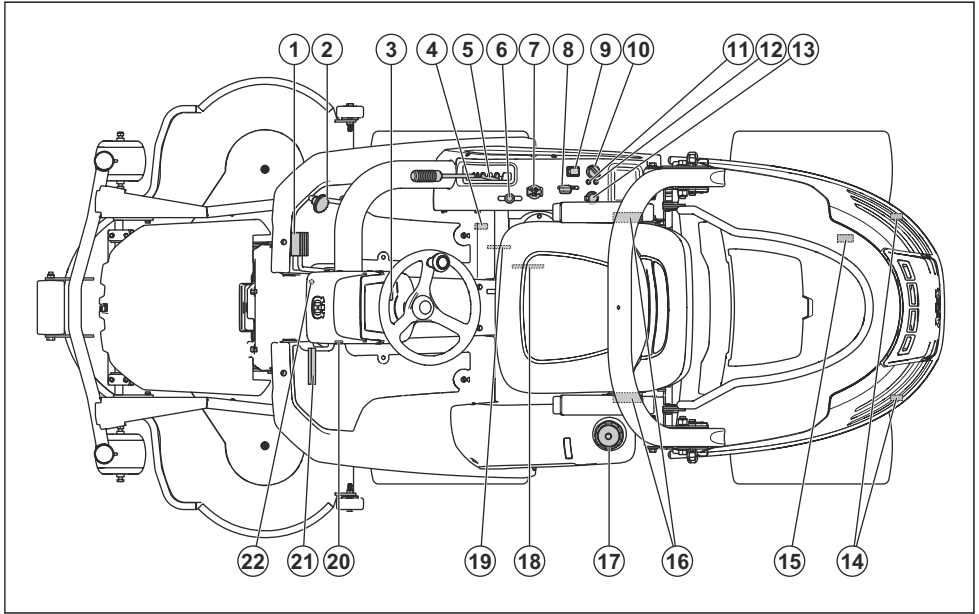
Asegúrese de que tiene su seguro cubre el nuevo producto. Si tiene cualquier duda, hable con su compañía de seguros. Se recomienda un seguro a todo riesgo que incluya terceros, incendio, daños, robo y responsabilidad.

Descripción del producto P 524



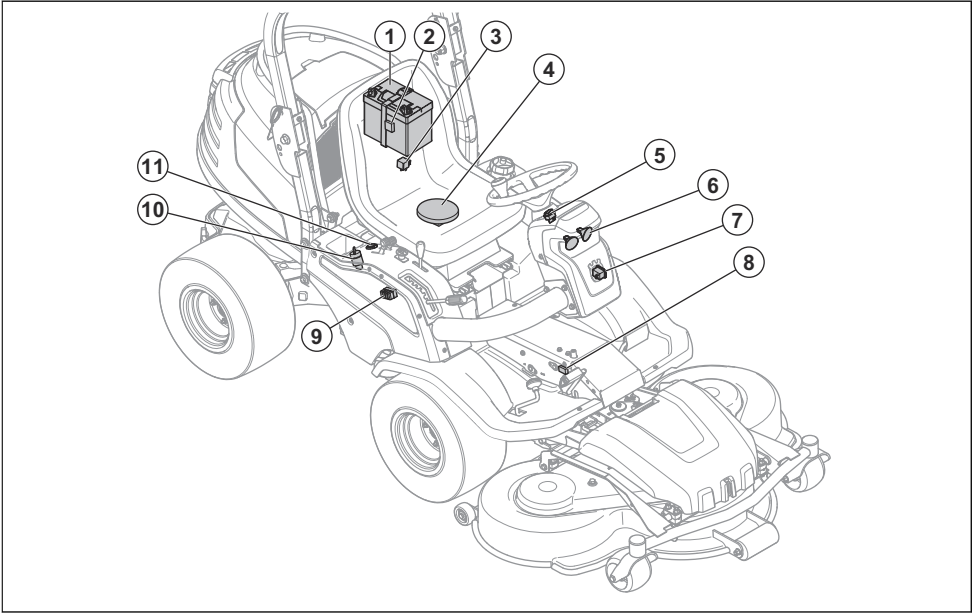
- | | |
|---|--|
| 1. Pedal de avance | 11. Toma de corriente de 12 V |
| 2. Pedal de marcha atrás | 12. Bloqueo de la cubierta |
| 3. Interruptor de las luces | 13. Válvula de derivación para engranar o desengranar la transmisión del eje trasero |
| 4. Válvula de derivación para engranar o desengranar la transmisión del eje delantero | 14. Cinturón de seguridad |
| 5. Palanca de la altura de corte | 15. Tapón del depósito de combustible |
| 6. Palanca de elevación para el equipo de corte | 16. Ajuste del asiento |
| 7. Botón de la TDF, arranque y parada del equipo de corte. | 17. Placa de identificación |
| 8. Control del acelerador | 18. Contador de horas |
| 9. Control del estrangulador | 19. Freno de estacionamiento |
| 10. Contacto | 20. Botón de bloqueo del freno de estacionamiento |

Descripción del producto P 524EFI



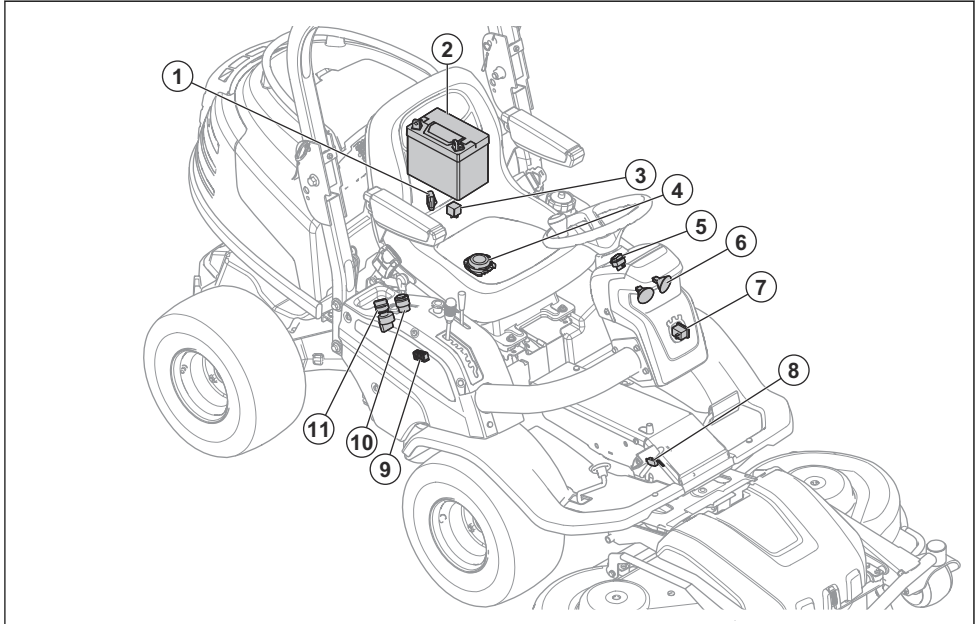
1. Pedal de avance
2. Pedal de marcha atrás
3. Interruptor de las luces
4. Válvula de derivación para engranar o desengranar la transmisión del eje delantero
5. Palanca de la altura de corte
6. Palanca de elevación para el equipo de corte
7. Botón de la TDF, arranque y parada del equipo de corte.
8. Control del acelerador
9. Interruptor de conexión/desconexión de la toma de corriente
10. Contacto
11. Luz de advertencia de presión de aceite baja
12. Luz de advertencia de avería del motor
13. Toma de corriente de 12 V
14. Bloqueo de la cubierta
15. Válvula de derivación para engranar o desengranar la transmisión del eje trasero
16. Cinturón de seguridad
17. Tapón del depósito de combustible
18. Ajuste del asiento
19. Placa de identificación
20. Contador de horas
21. Freno de estacionamiento
22. Botón de bloqueo del freno de estacionamiento

Descripción general del sistema eléctrico P 524



- | | |
|---|--|
| 1. Batería | 7. Contador de horas |
| 2. Fusible principal de 20 A | 8. Microinterruptor de la transmisión hidrostática |
| 3. Relé | 9. Portafusible |
| 4. Interruptor de seguridad del asiento | 10. Contacto |
| 5. Interruptor de las luces | 11. Toma de corriente de 12 V |
| 6. Faros | |

Descripción general del sistema eléctrico, P 524EFI



1. Fusible principal de 20 A
2. Batería
3. Relé
4. Interruptor de seguridad del asiento
5. Interruptor de las luces
6. Faros
7. Contador de horas
8. Microinterruptor de la transmisión hidrostática
9. Portafusible
10. Contacto
11. Toma de corriente de 12 V

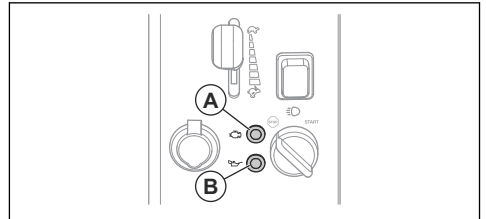
Luces de advertencia del panel de control, P 524EFI

El motor del modelo P 524EFI dispone de sistema electrónico de inyección de combustible. 2 luces del panel de control indican si hay problemas con el motor.



PRECAUCIÓN: Si se enciende una luz del panel de control, detenga el motor y consulte *Resolución de problemas en la página 89*.

- R: Avería del motor
- B: Presión de aceite baja



Cuentahoras

El contador de horas muestra cuántas horas ha estado en marcha el motor. El tiempo con el contacto puesto pero el motor apagado no se registra. El último dígito muestra las décimas de hora (6 minutos).

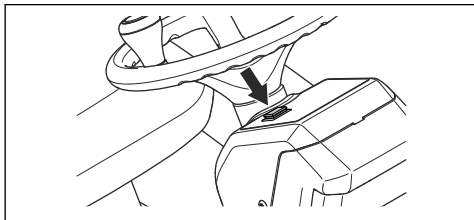
Toma de corriente

La tensión de la toma de corriente es de 12 V. La toma de corriente tiene un fusible, consulte *Sustitución de un fusible en la página 76*.

Encienda y apague la toma de corriente con el interruptor del panel de control.

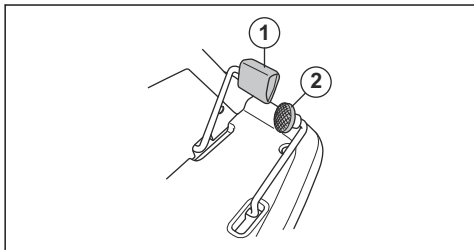
Faros

El interruptor de los faros está en el panel del volante.



Pedales de marcha adelante y marcha atrás

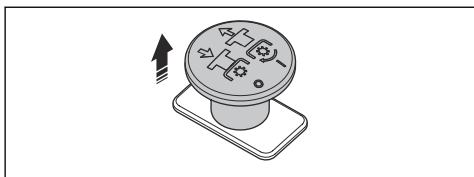
La velocidad se ajusta gradualmente con dos pedales. El pedal izquierdo (1) se utiliza para desplazarse hacia delante y el pedal derecho (2) para desplazarse marcha atrás. La máquina frena al soltar los pedales.



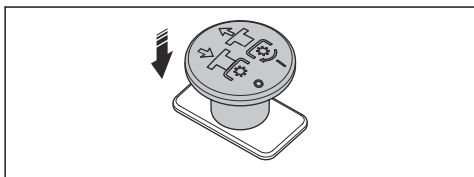
Botón de la TDF (toma de fuerza)

El botón de la TDF arranca y detiene el equipo de corte. El operario debe estar sentado para arrancar el equipo de corte.

Tire del botón de la TDF hacia fuera para acoplar la transmisión de las cuchillas del equipo de corte.



Presione el botón de la TDF para desacoplar la transmisión de las cuchillas del equipo de corte.

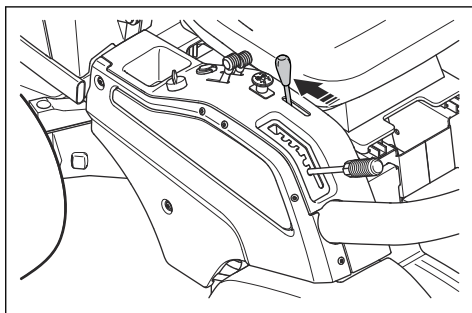


Consulte también *Comprobación del circuito de seguridad en la página 59.*

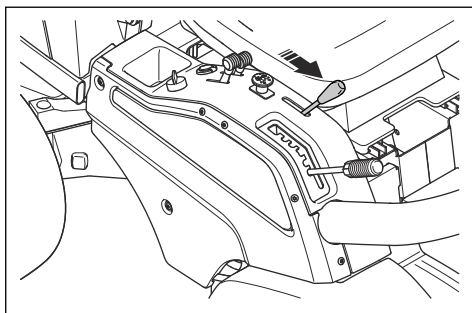
Palanca de elevación para el equipo de corte

La palanca de elevación se utiliza para elevar y bajar el equipo de corte. El producto utiliza presión hidráulica para elevar el equipo de corte. Para accionar la palanca de elevación, arranque el motor y presione hacia abajo el botón de la TDF.

Cuando la palanca de elevación se mueve a la posición de transporte, el equipo de corte se levanta y las cuchillas se detienen en 5 segundos aproximadamente.



Cuando la palanca de elevación se mueve a la posición de corte, el equipo de corte desciende y las cuchillas comienzan a girar.



Equipo de corte

Los equipos de corte para este producto son equipos Combi con BioClip. BioClip corta la hierba y la convierte en fertilizante. Los equipos de corte Combi también se pueden utilizar sin BioClip. Sin BioClip, la hierba se expulsa por la parte trasera.

Símbolos que aparecen en el producto



ADVERTENCIA: Su uso descuidado o erróneo puede provocar lesiones graves o mortales al operador o a otras personas.



Lea detenidamente el manual de usuario y asegúrese de que entiende las instrucciones antes de usar la máquina.



Cuchillas giratorias: mantenga las partes del cuerpo alejadas de la tapa cuando el motor esté encendido.



Advertencia: Piezas giratorias. Mantenga las partes del cuerpo alejadas.



Superficie caliente.



No tocar.



Tire de la presilla para retirar la cubierta del motor.



Nunca utilice el producto cerca de personas, especialmente niños o mascotas.



No corte nunca la hierba de forma transversal en una pendiente. No corte la hierba en terrenos con pendientes de más de 10°. Consulte *Corte del césped en pendientes en la página 60*.



No lleve nunca pasajeros en el producto o el equipo.



Utilice el producto muy lentamente si no está montado el equipo de corte.



Utilice el producto a máxima velocidad cuando esté montado el equipo de corte.



Desplazamiento hacia delante.

N

Punto muerto.



Desplazamiento marcha atrás.



Este producto cumple con las directivas CE vigentes.



Las emisiones sonoras en el entorno según la directiva de la Comunidad Europea. Las emisiones del producto se indican en el capítulo «Datos técnicos» y en la etiqueta.



Utilice siempre una protección de oídos homologada.



Estrangulador (P 524).



Pare el motor.

START

Arranque el motor.



Luz de advertencia de avería del motor (P 524EFI).



Luz de advertencia de presión de aceite baja (P 524EFI).



Régimen del motor: rápido.



Régimen del motor: lento.



Posición de servicio del equipo de corte.



Posición de funcionamiento del equipo de corte.



Altura de corte.



Posición de servicio.



Las cuchillas están activadas.



Las cuchillas están desactivadas.



Nivel de aceite.



Detenga el motor y quite el cable de la bujía antes de realizar tareas de mantenimiento o reparación.



Compruebe el nivel de aceite del motor.



Compruebe el nivel de aceite del motor.



Freno de estacionamiento.



Pulse el botón de la TDF.



No utilice el cinturón de seguridad si el sistema ROPS está desacoplado.



Utilice siempre el cinturón de seguridad si el sistema ROPS está acoplado.



Nota: Los demás símbolos/etiquetas que aparecen en el producto corresponden a requisitos de homologación específicos de algunas zonas comerciales.

Responsabilidad sobre el producto

Como se estipula en las leyes de responsabilidad del producto, no nos hacemos responsables de los daños y perjuicios causados por nuestro producto si:

- El producto se ha reparado incorrectamente.
- El producto se ha reparado con piezas que no eran del fabricante o no autorizadas por el fabricante.
- El producto tiene un accesorio que no es del fabricante o no está autorizado por este.
- El producto no se ha reparado en un centro de servicio autorizado o por un organismo homologado.

Seguridad

Definiciones de seguridad

Las advertencias, precauciones y notas se utilizan para destacar información especialmente importante del manual.



ADVERTENCIA: Indica un riesgo de lesiones o incluso de muerte del usuario o de las personas cercanas si no se respetan las instrucciones del manual.



PRECAUCIÓN: Indica un riesgo de daños en el producto, otros materiales o el área adyacente si no se respetan las instrucciones del manual.

Nota: Se usa para proporcionar más información necesaria en una situación determinada.

Instrucciones generales de seguridad



ADVERTENCIA: Este producto puede cortar las manos y los pies, y arrojar objetos. Puede causar lesiones graves o incluso la muerte si no siguen las instrucciones de seguridad.



ADVERTENCIA: No se debe continuar utilizando un producto con un equipo de corte dañado, ya que este puede arrojar objetos y causar lesiones graves o incluso la muerte. Sustituya las cuchillas dañadas inmediatamente.



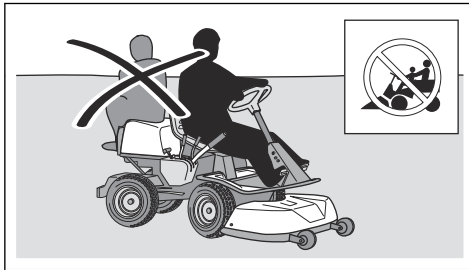
ADVERTENCIA: Este producto genera un campo electromagnético durante el funcionamiento. Este campo magnético puede, en determinadas circunstancias, interferir con implantes médicos activos o pasivos. Para reducir el riesgo de que se den condiciones que provocarían lesiones graves o letales, las personas que utilizan

implantes médicos deben consultar con su médico y con el fabricante del implante antes de poner en marcha este producto.



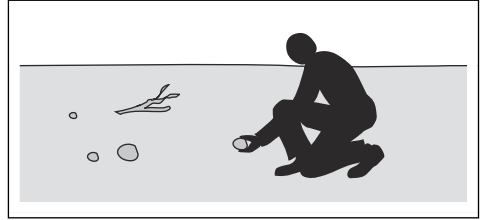
ADVERTENCIA: Lea las siguientes instrucciones de advertencia antes de utilizar el producto.

- Proceda siempre con cuidado y utilice siempre el sentido común. Evite todas aquellas situaciones que considere que sobrepasan sus capacidades. Si después de leer el manual de usuario no se siente seguro respecto a los procedimientos de funcionamiento, consulte con un experto antes de continuar.
- Lea detenidamente y comprenda el manual de usuario y las instrucciones del producto antes de arrancar el producto.
- Aprenda a utilizar el producto y sus controles de forma segura, y aprenda a detener el producto con rapidez.
- Aprenda a reconocer las etiquetas de seguridad.
- Mantenga el producto limpio para asegurarse de que puede leer claramente los símbolos y las pegatinas.
- Debe tenerse en cuenta que el operador será responsable de los accidentes que involucren a otras personas o a su propiedad.
- No transporte pasajeros. El producto debe ser usado únicamente por una persona.



- No deje que el producto permanezca sin supervisión con el motor en marcha. Pare siempre las cuchillas, ponga el freno de estacionamiento, detenga el motor y quite la llave de contacto antes de dejar el producto sin supervisión.
- Utilice el producto únicamente con la luz del día o en áreas con buena iluminación. Mantenga el producto a una distancia segura respecto a edificios u otras irregularidades del suelo. Tenga cuidado con otros posibles riesgos.
- No utilice el producto en condiciones climáticas desfavorables, por ejemplo, con niebla, lluvia, humedad, lugares húmedos, viento fuerte, frío intenso, posibilidad de relámpagos, etc.
- Localice y marque piedras y otros objetos fijos para no colisionar con ellos.

- Limpie la zona de objetos tales como piedras, juguetes, cables, etc. que se podrían quedar atrapados en las cuchillas y ser lanzados.



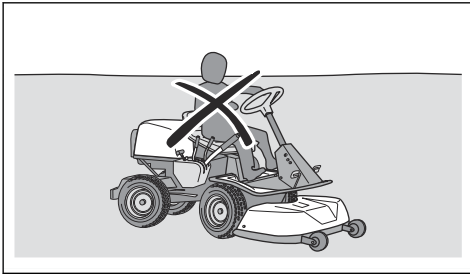
- No deje que los niños u otras personas no autorizadas utilicen el producto ni realicen su mantenimiento. La legislación local regula la edad del usuario.
- Asegúrese de que no hay nadie en las proximidades del producto cuando arranque el motor, accione la transmisión o comience a desplazar el producto.
- Preste atención al tráfico cuando utilice la máquina cerca de una carretera o se desplace por una.
- No utilice el producto si está cansado, si ha ingerido alcohol o drogas, o si toma medicamentos o cualquier otra sustancia que puedan afectar la vista, su capacidad de discernimiento o el control del cuerpo.
- Estacione siempre el producto en una superficie nivelada con el motor apagado.

Instrucciones de seguridad relativas a los niños



ADVERTENCIA: Lea las siguientes instrucciones de advertencia antes de utilizar el producto.

- Pueden producirse accidentes graves si no vigila a los niños que estén cerca del producto. Los niños pueden sentirse atraídos por el producto y por cortar el césped. Es muy posible que los niños no se queden quietos donde los vio por última vez.
- Mantenga a los niños alejados de la zona de corte. Asegúrese de que hay presente un adulto responsable de los niños.
- Preste atención y detenga el producto si un niño entra en la zona de trabajo. Tenga mucho cuidado cuando se acerque a esquinas, arbustos, árboles u otros objetos que podrían bloquear su buena visibilidad.
- Antes de desplazar el producto marcha atrás, mire hacia atrás y hacia abajo para asegurarse de que no hay niños pequeños en las proximidades del producto.
- No deje que los niños monten con usted. Pueden caerse y sufrir graves lesiones o impedir el manejo seguro del producto.
- No deje que los niños manejen el producto.



Instrucciones de seguridad para el funcionamiento



ADVERTENCIA: No toque el motor ni el sistema de escape durante o directamente después del uso. El motor y el sistema de escape pueden calentarse mucho durante el funcionamiento. Riesgo de quemaduras, incendio y daños en la propiedad o las zonas adyacentes. Al utilizar el producto, aléjese de los arbustos y otros objetos.



ADVERTENCIA: Lea las siguientes instrucciones de advertencia antes de utilizar el producto.

- Antes de desplazarse marcha atrás, mire bien detrás y hacia abajo. Tenga cuidado con los obstáculos grandes y pequeños.
- Reduzca la velocidad antes de doblar una esquina.
- Detenga las cuchillas cuando se mueva por zonas que no requieran corte.



PRECAUCIÓN: Lea las siguientes instrucciones de precaución antes de utilizar el producto.

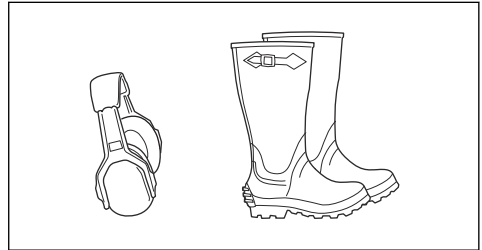
- Antes de usar el producto, limpie la hierba y la suciedad de la toma de aire frío del motor. Si la toma de aire frío se bloquea, se corre el riesgo de dañar el motor.
- Muévase con cuidado alrededor de piedras y otros objetos grandes, y asegúrese de que las cuchillas no golpean los objetos.
- No pase con el producto por encima de objetos. Si pasa con el producto por encima de algún objeto o choca con él, deténgase y examine el producto y el equipo de corte. Si es necesario, realice cualquier reparación necesaria antes de volver a ponerse en marcha.

Equipo de protección personal



ADVERTENCIA: Lea las siguientes instrucciones de advertencia antes de utilizar el producto.

- Para trabajar con el producto debe utilizar un equipo de protección personal homologado. El equipo de protección personal no elimina completamente el riesgo de lesiones, pero reduce la gravedad de las lesiones en caso de accidente. Deje que el distribuidor le ayude a seleccionar el equipo adecuado.
- Se debe utilizar siempre protección auditiva homologada. La exposición prolongada al ruido puede causar daños crónicos en el oído.
- Lleve siempre calzado de seguridad o botas de protección. Se recomienda llevar punteras de acero. No utilice el producto descalzo.



- Utilice guantes cuando sea necesario, por ejemplo, para el montaje, inspección o limpieza del equipo de corte.
- No lleve ropa suelta, joyas u otros objetos que puedan quedar atrapados en las piezas móviles.
- Mantenga el equipo de primeros auxilios y el extintor de incendios cerca.

Dispositivos de seguridad en el producto



ADVERTENCIA: Lea las siguientes instrucciones de advertencia antes de utilizar el producto.

- No utilice un producto que tenga dispositivos de seguridad defectuosos. Realice una comprobación de los dispositivos de seguridad con frecuencia. Si los dispositivos de seguridad están defectuosos, hable con su taller de servicio Husqvarna.
- No realice ninguna modificación de los dispositivos de seguridad. No utilice el producto si las placas protectoras, las cubiertas de protección, los interruptores de seguridad u otros dispositivos de protección no están instalados o están dañados.

Sistema de protección antivuelco (ROPS)

El sistema ROPS es un bastidor protector que reduce el riesgo de lesiones en caso de vuelco. Utilice el sistema ROPS y el cinturón de seguridad cuando utilice el producto en pendientes.

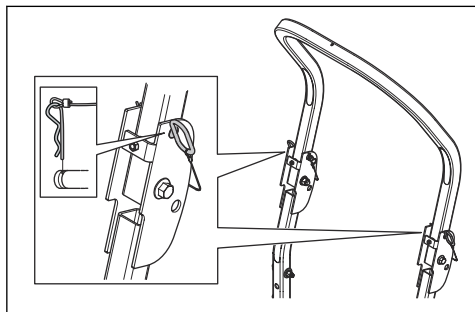
Cinturón de seguridad

El cinturón de seguridad evita lesiones si se producen accidentes o el producto vuelca. Utilice el cinturón de

seguridad únicamente cuando el sistema ROPS está acoplado. Asegúrese de que el cinturón de seguridad está correctamente conectado y no está dañado.

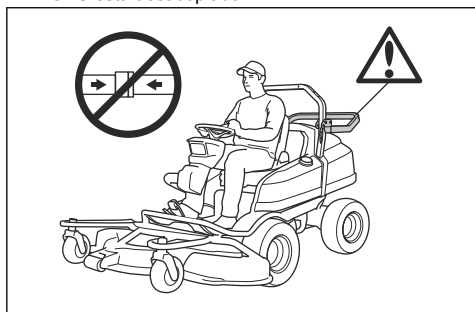
Para acoplar y desacoplar el sistema de protección antivuelco (ROPS)

- Retire los 2 pasadores que sujetan el sistema ROPS y dóblelo hacia atrás para desacoplarlo. Para acoplar el sistema ROPS, efectúe el procedimiento en orden inverso.

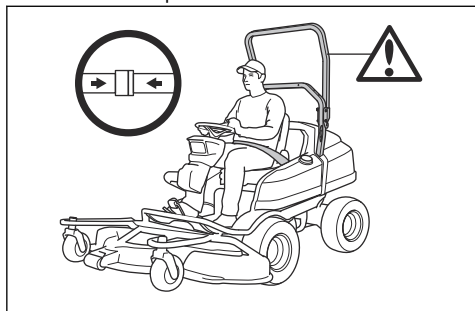


ADVERTENCIA: Respete las siguientes instrucciones para el sistema ROPS y el cinturón de seguridad.

- No utilice el cinturón de seguridad si el sistema ROPS está desacoplado.



- Utilice siempre el cinturón de seguridad si el sistema ROPS está acoplado.



- Compruebe que el sistema ROPS está correctamente montado y no está dañado.

Comprobación del contacto

- Arranque y detenga el motor para realizar una comprobación del contacto. Consulte el apartado *Arranque del motor, P 524 en la página 65* y *Para parar el motor en la página 68*.
- Asegúrese de que el motor arranca cuando gire la llave de contacto a START.
- Asegúrese de que el motor se detiene cuando gire la llave de contacto a STOP.

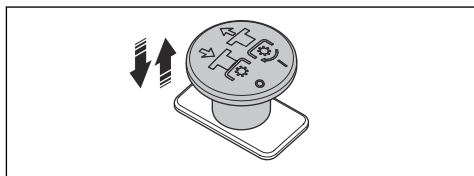
Comprobación del circuito de seguridad

El circuito de seguridad garantiza que el motor arranca sólo en ciertas condiciones. La transmisión de las cuchillas debe estar desacoplada y el freno de estacionamiento debe estar activado.

El circuito de seguridad detiene las cuchillas si el operario no permanece en el asiento cuando se baja el equipo de corte.

- Compruebe el circuito de seguridad a diario.
- Intente poner en marcha el motor incumpliendo una de las condiciones anteriores. Inténtelo de nuevo en el otro supuesto. Si el circuito de seguridad funciona, el motor no arranca.
- Acople la transmisión de las cuchillas y elévelas desde el asiento. Si el circuito de seguridad funciona, las cuchillas del equipo de corte se detendrán.

Nota: Si el circuito de seguridad detiene las cuchillas, pulse el botón de la TDF y vuelva a tirar para ponerlas en funcionamiento.



Comprobación del limitador de velocidad

- Suelte el pedal de marcha adelante para frenar.
- Para obtener más potencia de frenado, pise el pedal de marcha atrás.
- Asegúrese de que los pedales de marcha adelante y marcha atrás no están bloqueados y se pueden accionar libremente.
- Asegúrese de que el producto frena cuando se suelta el pedal de marcha adelante.

Freno de estacionamiento



ADVERTENCIA: Si el freno de estacionamiento no funciona, el producto puede comenzar a moverse y provocar daños o lesiones. Asegúrese de que el freno de estacionamiento se examina y ajusta con frecuencia.

Consulte *Comprobación del freno de estacionamiento en la página 74.*

Silenciador

El silenciador mantiene al mínimo los niveles de ruido y aparta los gases de escape del operador.

No utilice el producto si el silenciador no está instalado o está defectuoso. Un silenciador defectuoso aumenta el nivel de ruido y el riesgo de incendio.

Examine el silenciador con frecuencia para asegurarse de que está montado correctamente y que no está dañado.



PRECAUCIÓN: El silenciador se calienta mucho durante y después de su uso, y cuando el motor funciona a ralentí. Tenga cuidado cerca de materiales inflamables o gases para evitar incendios.

Tapas protectoras

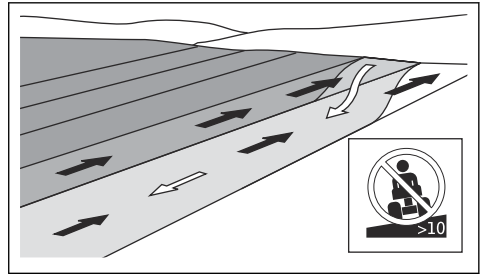
Si el producto no dispone de tapas protectoras o estas están dañadas, aumenta el riesgo de lesiones por piezas móviles y superficies calientes. Compruebe las tapas protectoras antes de poner en marcha el producto. Asegúrese de que las tapas protectoras están montadas correctamente y no tienen grietas u otros daños. Sustituya las tapas dañadas.

Corte del césped en pendientes

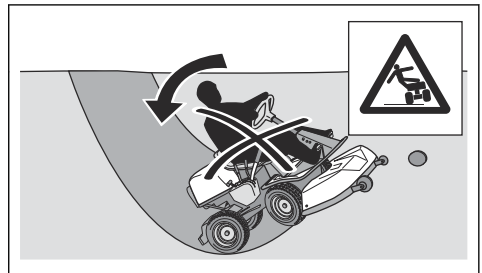


ADVERTENCIA: Lea las siguientes instrucciones de advertencia antes de utilizar el producto.

- Cortar el césped en pendientes aumenta el riesgo de perder el control del producto y que este vuelque, lo que puede provocar lesiones graves o la muerte. Es necesario cortar el césped con cuidado en todas las pendientes. Si no puede dar marcha atrás en una pendiente o si no se siente seguro en ella, no utilice la máquina.
- Quite piedras, ramas y otros obstáculos.
- En las pendientes, trabaje de arriba a abajo y no de lado a lado.
- No baje por una pendiente con el equipo de corte elevado.
- No utilice el producto en pendientes de más de 10°.



- No arranque ni detenga la máquina en una pendiente.
- En pendientes, desplácese con suavidad y lentamente.
- No realice cambios súbitos de velocidad ni dirección.
- No gire más de lo necesario. Cuando baje por una pendiente, gire de forma lenta y gradual. Muévase a baja velocidad. Gire la rueda con cuidado.
- Tenga cuidado, no se mueva a través de surcos, agujeros y baches, ya que existe un alto riesgo de que el producto se vuelque sobre una superficie que no es plana. El césped crecido puede esconder obstáculos.
- No corte el césped cerca de bordes, zanjas o terraplenes. El producto puede volcar repentinamente si alguna de las ruedas pasa por el borde de una fuerte pendiente o una zanja, o si falta un trozo de bordillo. Si el producto cae al agua, existe riesgo de ahogamiento.



- No corte hierba mojada. Es resbaladiza y las ruedas pueden perder adherencia, y el producto puede patinar.
- No ponga el pie en el suelo para intentar que el producto sea más estable.
- Muévase con mucho cuidado si hay conectado un accesorio u otro objeto que pueda hacer que el producto sea menos estable.
- Para aumentar la estabilidad, coloque los contrapesos. Póngase en contacto con su distribuidor para obtener más información.

Seguridad en el uso del combustible



ADVERTENCIA: Tenga cuidado con el combustible. Es muy inflamable y puede causar lesiones y daños a la propiedad.



ADVERTENCIA: Lea las siguientes instrucciones de advertencia antes de utilizar el producto.

- No llene el depósito de combustible en interiores.
- La gasolina y los gases de la gasolina son tóxicos y muy inflamables. Tenga cuidado con la gasolina para evitar lesiones o incendios.
- No retire el tapón de combustible ni llene el depósito de combustible cuando el motor esté en marcha.
- Deje que el motor se enfríe antes de repostar combustible.
- No fume cuando reposte combustible.
- No reposte combustible cerca de chispas o llamas descubiertas.
- Si hay fugas en el sistema de combustible, no arranque el motor hasta que se reparen las fugas.
- No reposte por encima del nivel de combustible recomendado. No llene demasiado el depósito de combustible ya que
- el calor procedente del motor y el sol hace que el combustible se expanda y se desborde si el depósito se llena demasiado. Si derrama carburante en el producto, límpielo y espere a que se haya secado antes de arrancar el motor. Si derrama combustible sobre la ropa, cámbiese inmediatamente.
- Almacene el combustible solo en recipientes homologados.
- Guarde el producto y el combustible de manera que no haya riesgo de que las fugas de combustible o los gases puedan causar daños.
- Vacíe el combustible en un depósito homologado situado en el exterior y lejos de llamas descubiertas.

Seguridad de la batería



ADVERTENCIA: Una batería dañada puede explotar y causar lesiones. Si la batería está deformada o dañada, póngase en contacto con un taller de servicio Husqvarna homologado.



ADVERTENCIA: Lea las siguientes instrucciones de advertencia antes de utilizar el producto.

- Use gafas protectoras cuando esté cerca de las baterías.
- No lleve relojes, joyas ni otros objetos metálicos cerca de la batería.
- Mantenga la batería fuera del alcance de los niños.

- Cargue la batería en un espacio con buena ventilación.
- Cuando cargue la batería, mantenga los materiales inflamables a una holgura mínima de 1 m.
- Deseche las baterías sustituidas. Consulte *Eliminación en la página 92*.
- Pueden salir gases explosivos de la batería. No fume cerca de la batería. Mantenga la batería lejos de llamas abiertas y chispas.

Instrucciones de seguridad para el mantenimiento



ADVERTENCIA: El producto es pesado y puede ocasionar lesiones o daños a los equipos o el área adyacente. No realice tareas de mantenimiento en el motor ni el equipo de corte si no se cumplen estas condiciones:

- El motor está apagado.
- El producto está estacionado en una superficie nivelada.
- El freno de estacionamiento está accionado.
- La llave de contacto está quitada.
- El equipo de corte está desacoplado.
- Los cables de encendido se han extraído de las bujías.



ADVERTENCIA: Los gases de escape del motor contienen monóxido de carbono, que es un gas inodoro, tóxico y muy peligroso. No ponga en marcha el producto en espacios cerrados ni espacios que no estén bien ventilados.



ADVERTENCIA: Lea las siguientes instrucciones de advertencia antes de utilizar el producto.

- Para lograr un mejor rendimiento y seguridad, realice el mantenimiento del producto periódicamente según lo establecido en el programa de mantenimiento. Consulte *Programa de mantenimiento en la página 69*.
- Las descargas eléctricas pueden causar lesiones. No toque los cables cuando el motor está encendido. No realice una prueba de funcionamiento del sistema de encendido con los dedos.
- No arranque el motor si se han retirado las cubiertas de protección. Existe un alto riesgo de lesiones causadas por las piezas móviles o calientes.
- Deje que el producto se enfríe antes de llevar a cabo alguna tarea de mantenimiento cerca del motor.
- Las cuchillas están afiladas y pueden provocar cortes. Cuando trabaje en las cuchillas, use una

protección contra el viento alrededor de las mismas o lleve guantes protectores.

- Coloque el equipo de corte siempre en posición de servicio para limpiarlo. No estacione el producto cerca del borde de una zanja ni de una pendiente si va a acceder al equipo de corte.



PRECAUCIÓN: Lea las siguientes instrucciones de precaución antes de utilizar el producto.

- No encienda el motor si se han desconectado la bujía o el cable de encendido.

- Asegúrese de que todas las tuercas y pernos están apretados correctamente y que el equipo está en buen estado.
- No cambie el ajuste de los reguladores. Si el régimen del motor es demasiado alto, los componentes del producto pueden dañarse. Consulte *Datos técnicos en la página 94* para saber el máximo régimen de motor permitido.
- El producto está homologado con el equipo original proporcionado o recomendado por el fabricante.

Montaje

Introducción

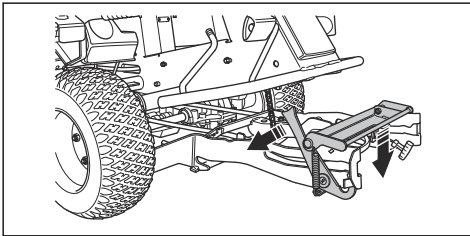


ADVERTENCIA: El muelle de tensión de la correa de transmisión puede romperse y causar lesiones. Lleve gafas protectoras cuando monte o retire el equipo de corte.

Lea detenidamente las instrucciones de montaje del manual del propietario. Una etiqueta en la parte interior de la cubierta frontal del producto también muestra cómo montar y retirar el equipo de corte.

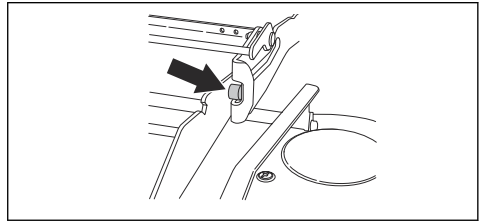
Montaje del equipo de corte

1. Estacione el producto en un suelo nivelado.
2. Active el freno de estacionamiento.
3. Coloque la palanca de la altura de corte en la posición de servicio.
4. Baje el bastidor del equipo. Levante el bloqueo del bastidor a la posición vertical.

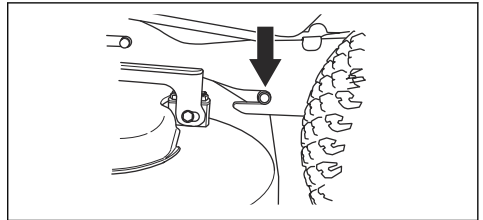


ADVERTENCIA: El mecanismo de bloqueo puede causar lesiones en los dedos si no lo utiliza con cuidado. Sujete el borde delantero del equipo de corte con las dos manos para continuar con el paso siguiente.

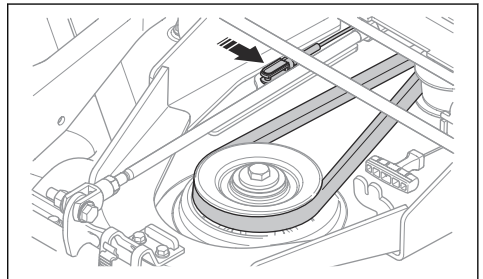
5. Deslice el equipo de corte en el bastidor del equipo. Asegúrese de que los topes de la guía delantera encajan en las ranuras del bastidor del equipo. El bloqueo del bastidor del equipo se libera automáticamente.



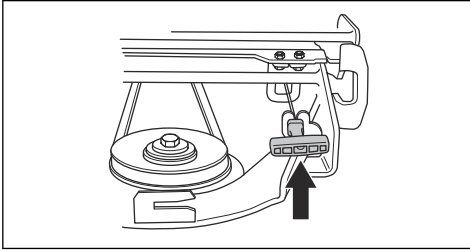
6. Deslice el equipo de corte hasta que los topes de la guía trasera toquen el fondo de las ranuras guías del bastidor del equipo.



7. Coloque la correa de transmisión alrededor de la rueda motriz del equipo de corte y fije el cable de la altura de corte.



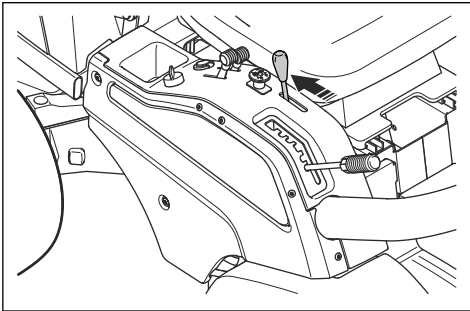
8. Coloque la palanca del muelle en el soporte del muelle.



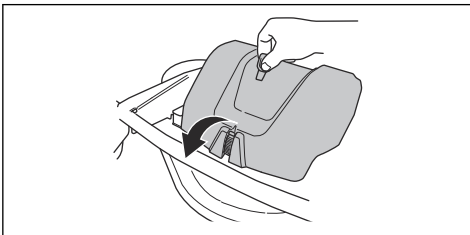
9. Monte la cubierta delantera.

Desmontaje del equipo de corte

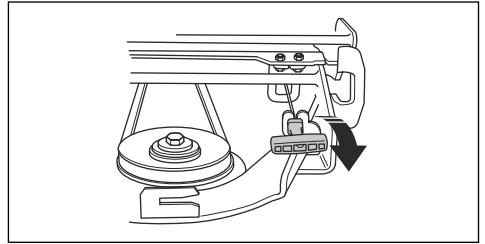
1. Estacione el producto en un suelo nivelado.
2. Active el freno de estacionamiento.
3. Coloque la palanca de la altura de corte en la posición de servicio.
4. Tire de la palanca de elevación del equipo de corte hacia atrás a su posición de bloqueo y eleve el equipo de corte.



5. Suelte el clip de la cubierta delantera con la herramienta acoplada a la llave de contacto y retire la cubierta.

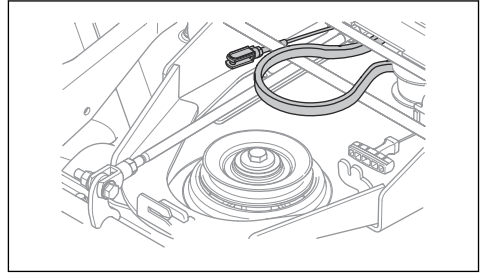


6. Tire de la palanca con resorte hacia fuera del soporte para aflojar la tensión de la correa de transmisión.

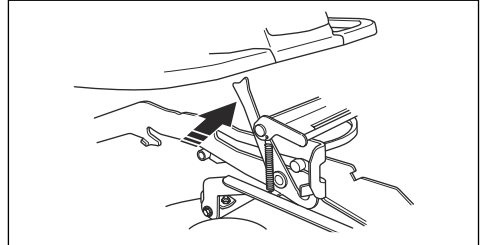


7. Desconecte el cable de la altura de corte.

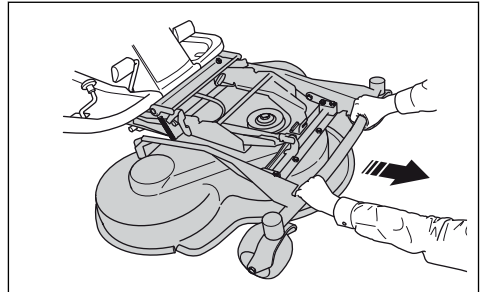
8. Extraiga la correa de transmisión y colóquela en el soporte de la correa.



9. Abra el bloqueo del bastidor del equipo de corte.



10. Sujete el borde delantero del equipo de corte con las 2 manos y tire para sacarlo.



Funcionamiento

Introducción



ADVERTENCIA: Antes de utilizar el producto, debe leer y entender el capítulo sobre seguridad.

Repostaje de combustible



ADVERTENCIA: La gasolina es muy inflamable. Tenga cuidado y haga el repostaje al aire libre (consulte *Seguridad en el uso del combustible en la página 67*).



ADVERTENCIA: No utilice el depósito de combustible como punto de apoyo.

El motor funciona con gasolina sin plomo con un octanaje mínimo de 95 (sin mezcla de aceite). Le recomendamos gasolina a base de alquilatos biodegradable (metanol máx. 5%, etanol máx. 10%, máx. MTBE máx. 15%).

Realice una comprobación del nivel de combustible antes de cada uso y reposte si es necesario.

Puede ver claramente el nivel de combustible en el depósito. No lo llene demasiado. Deje un espacio de 2,5 cm como mínimo hasta el borde.

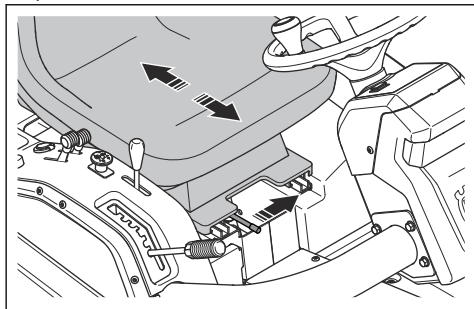
Ajuste del asiento



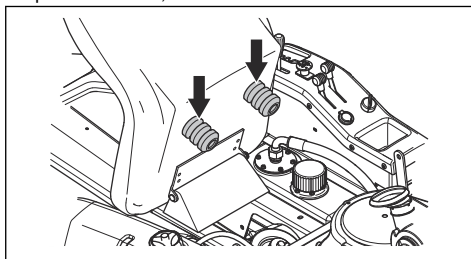
ADVERTENCIA: No ajuste el asiento mientras está usando el producto.

El asiento se puede inclinar hacia delante. También se puede ajustar hacia delante y hacia atrás.

- Para ajustar el asiento hacia adelante y hacia atrás, empuje la palanca situada bajo el borde delantero del asiento, a la izquierda. Desplace el asiento a la posición deseada.



- Para ajustar los muelles del asiento, mueva los toques de goma situados debajo del asiento, tal como se indica en la ilustración. Ponga los 2 toques en la parte delantera, central o trasera.



Para liberar y aplicar la presión hidráulica

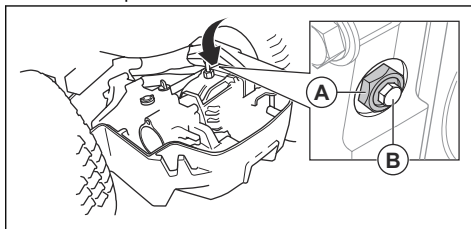
Para mover el producto con el motor apagado, debe liberar la presión hidráulica. La presión hidráulica se libera y se aplica con la válvula de derivación.



PRECAUCIÓN: Cierre las 2 válvulas de derivación antes de utilizar el producto. Si están abiertas, la transmisión puede resultar dañada.

Eje trasero

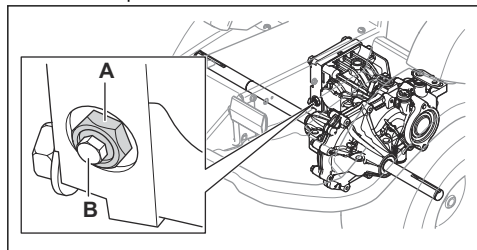
- Para liberar la presión hidráulica, abra la contratuerca (A) $\frac{1}{4}$ - $\frac{1}{2}$ vuelta a la izquierda y, a continuación, la tuerca de la válvula (B) 2 vueltas hacia la izquierda.



- Para aplicar la presión hidráulica, cierre completamente la tuerca de la válvula (B) y, a continuación, apriete la contratuerca (A).

Eje delantero

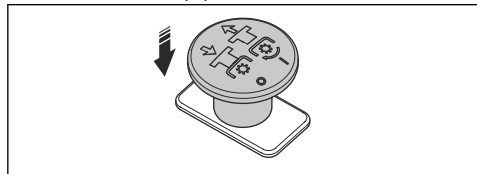
- Para liberar la presión hidráulica, abra la contratuerca (A) $\frac{1}{4}$ - $\frac{1}{2}$ vuelta a la izquierda y, a continuación, la tuerca de la válvula (B) 2 vueltas hacia la izquierda.



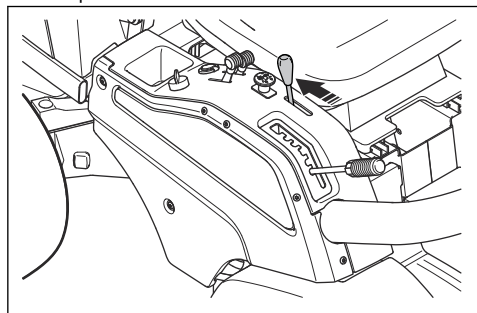
- Para aplicar la presión hidráulica, cierre completamente la tuerca de la válvula (B) y, a continuación, apriete la contratuerca (A).

Elevación del equipo de corte

1. Presione el botón de la TDF para desacoplar la transmisión del equipo de corte.



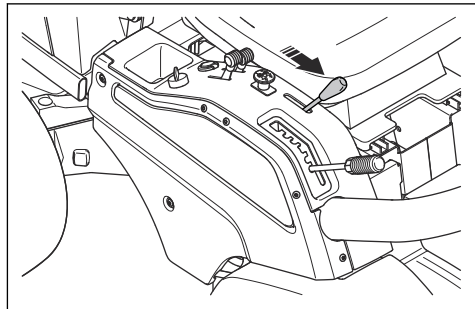
2. Tire de la palanca de elevación hacia atrás para levantar el equipo de corte a la posición de transporte.



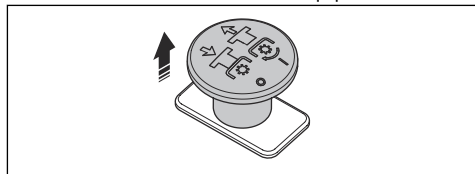
Nota: Puede elevar el equipo de corte una pequeña distancia con la transmisión de las cuchillas acoplada. Utilice esta función para hierba muy alta o superficies irregulares.

Descenso del equipo de corte a la posición de funcionamiento

1. Mueva la palanca de elevación hacia delante para bajar el equipo de corte.

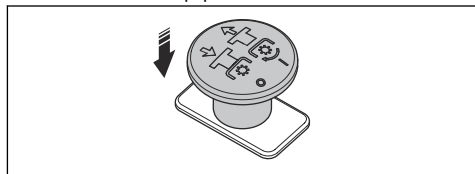


2. Tire del botón de la TDF hacia fuera para acoplar la transmisión de las cuchillas del equipo de corte.

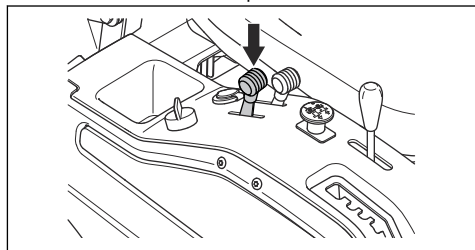


Arranque del motor, P 524

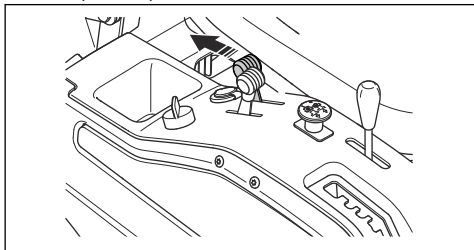
1. Compruebe que las válvulas de derivación están cerradas. Consulte la sección *Para liberar y aplicar la presión hidráulica en la página 64*.
2. Active el freno de estacionamiento.
3. Pulse el botón de la TDF para desacoplar la transmisión del equipo de corte.



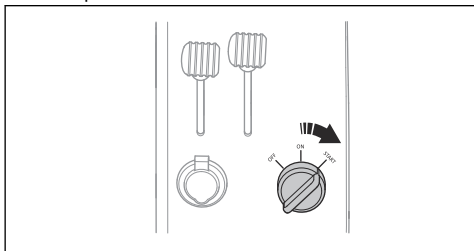
4. Mueva el acelerador a la posición media.



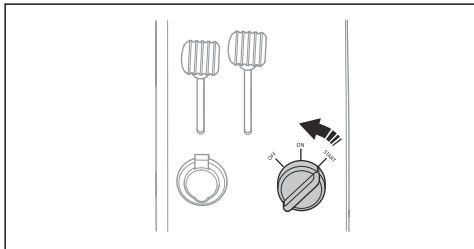
5. Si el motor está frío, mueva el estrangulador hacia atrás por completo.



6. Gire la llave de contacto hasta la posición de arranque.

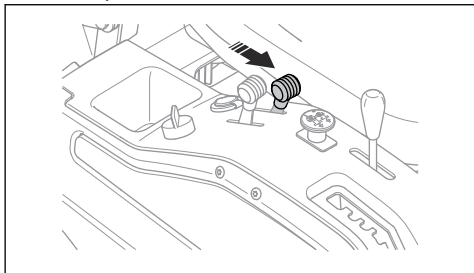


7. Una vez que arranca el motor, suelte inmediatamente la llave de contacto a la posición neutra.



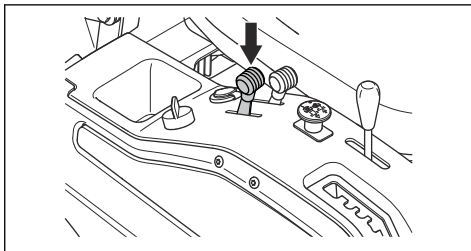
PRECAUCIÓN: No accione el mecanismo de arranque durante más de cinco segundos cada vez. Si el motor no arranca, espere 15 segundos antes de intentarlo de nuevo.

8. Empuje el estrangulador gradualmente hacia delante hasta la posición final.



9. Deje que el motor funcione con el acelerador en la posición media durante 3-5 minutos antes de aplicar cargas pesadas.

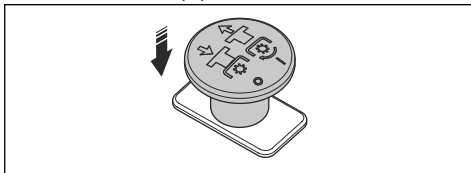
10. Empuje el acelerador a la posición de aceleración máxima.



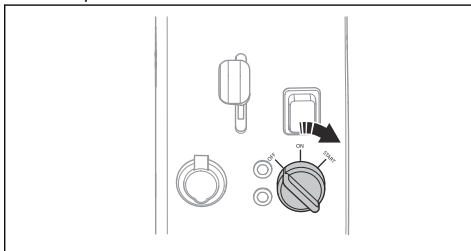
PRECAUCIÓN: Acoplar las cuchillas cuando el motor está a máxima velocidad genera tensión en las correas de transmisión. No acelere al máximo hasta que el equipo de corte baje a la posición de cortar el césped.

Arranque del motor, P 524EFI

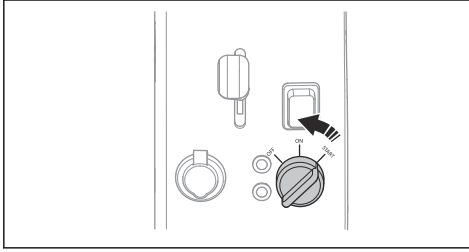
1. Compruebe que las válvulas de derivación están cerradas. Consulte la sección *Para liberar y aplicar la presión hidráulica en la página 64*.
2. Active el freno de estacionamiento.
3. Pulse el botón de la TDF para desacoplar la transmisión del equipo de corte.



4. Gire la llave de contacto hasta la posición de arranque.



5. Una vez que arranca el motor, suelte inmediatamente la llave de contacto a la posición neutra.



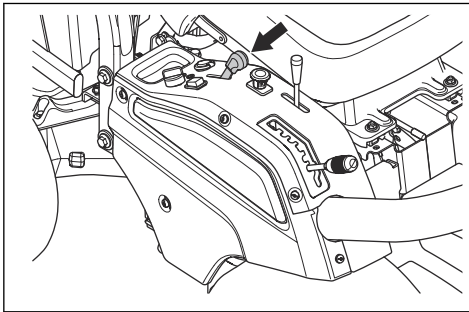
PRECAUCIÓN: No accione el mecanismo de arranque durante más de cinco segundos cada vez. Si el motor no arranca, espere 15 segundos antes de intentarlo de nuevo.

6. Deje que el motor funcione con el acelerador en la posición media durante 3-5 minutos antes de aplicar cargas pesadas.



PRECAUCIÓN: Si la luz de advertencia de presión de aceite se enciende, detenga el motor inmediatamente y consulte *Resolución de problemas en la página 89*.

7. Empuje el acelerador a la posición de aceleración máxima.



PRECAUCIÓN: Acoplar las cuchillas cuando el motor está a máxima velocidad genera tensión en las correas de transmisión. No acelere al máximo hasta que el equipo de corte baje a la posición de cortar el césped.

Arranque y uso del producto en climas fríos

- Si el motor no arranca con facilidad en climas fríos, gire la llave de contacto muchas veces hasta que el motor arranque. Para P 524, asegúrese de tirar completamente hacia atrás del estrangulador.

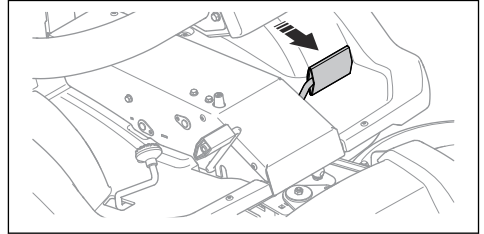
- En temperaturas inferiores a 0 °C, deje que el producto se caliente antes de aplicar una carga pesada. Ponga en marcha el producto, pero no acople el equipo durante 10 minutos como mínimo.



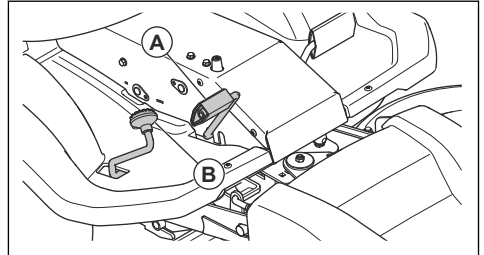
PRECAUCIÓN: Si el producto no está caliente cuando empiece a utilizarlo, la transmisión puede resultar dañada.

Manejo del producto

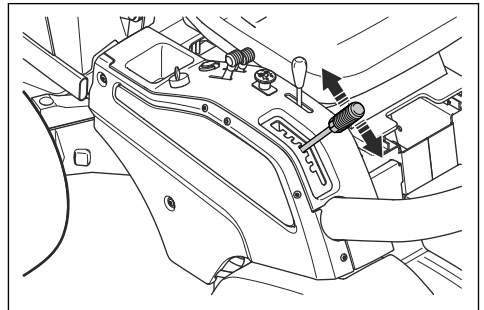
1. Arranque el motor.
2. Pise el pedal del freno de estacionamiento y, a continuación, suéltelo para liberar el freno de estacionamiento.



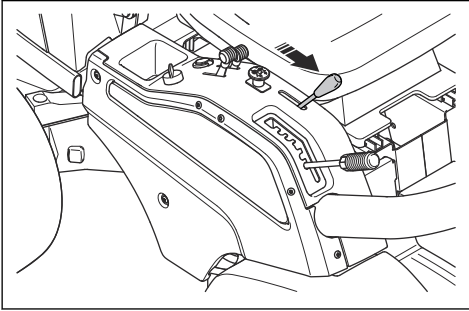
3. Pise con cuidado uno de los pedales de aceleración. Cuanto más pise el pedal, mayor será la velocidad. Utilice el pedal (A) para desplazarse hacia adelante y el pedal (B) para desplazarse marcha atrás.



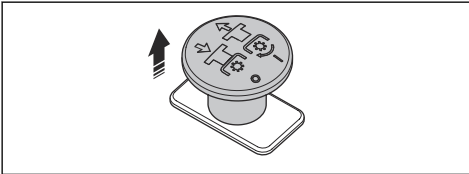
4. Suelte el pedal del freno. Para frenar más fuerte, pise el otro pedal de velocidad.
5. Seleccione la altura de corte (1-6) con la palanca correspondiente.



- Mueva la palanca de elevación hacia delante para bajar el equipo de corte.

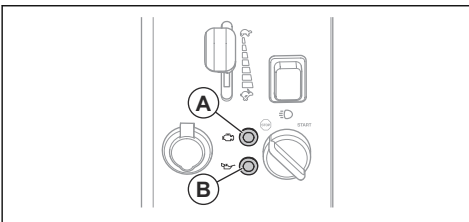


- Tire del botón de la TDF hacia fuera para acoplar la transmisión de las cuchillas del equipo de corte.



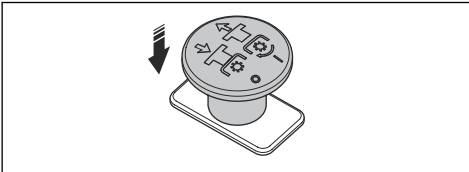
Modo de potencia reducida, P 524EFI

Si el motor no funciona correctamente, el régimen del motor se reduce automáticamente a ralentí bajo y se enciende la luz de advertencia de avería del motor (A). Consulte *Resolución de problemas en la página 89* para conocer las posibles causas de la avería.



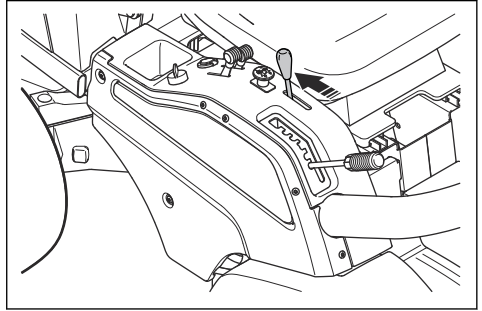
Para parar el motor

- Suelte los pedales de velocidad.
- Presione el botón de la TDF para desacoplar la transmisión de las cuchillas del equipo de corte.



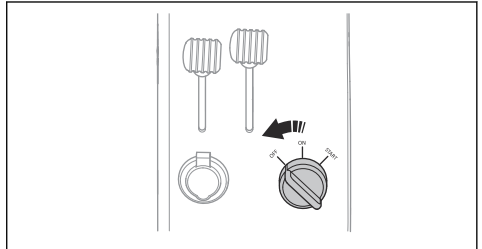
- Ponga el motor al ralentí durante 1 minuto para reducir la temperatura del motor.

- Tire de la palanca de elevación del equipo de corte hacia atrás para elevar el equipo de corte.



- Mueva el acelerador hacia delante a la posición MIN.

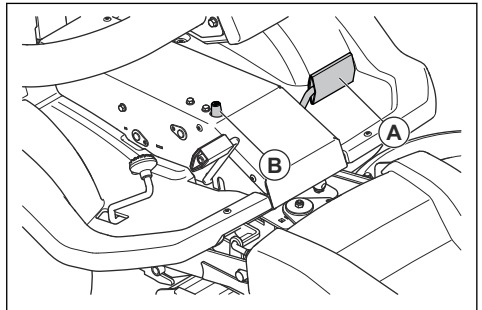
- Gire la llave de contacto hasta la posición de parada, STOP.



- Cuando el producto se detenga, aplique el freno de estacionamiento.

Aplique y soltar el freno de estacionamiento

- Pise el pedal del freno de estacionamiento (A).
- Pulse y mantenga pulsado el botón de bloqueo (B).



- Mantenga pulsado el botón y suelte el pedal del freno de estacionamiento.

- Para soltar el freno de estacionamiento, vuelva a pisar el pedal del freno de estacionamiento.

Para obtener un buen resultado de corte

- No corte el césped si está húmedo. La hierba mojada produce malos resultados.
- Empiece con una altura de corte elevada y redúzcala gradualmente.
- Corte con las cuchillas girando a alta velocidad (velocidad máxima del motor permitida, consulte

Datos técnicos en la página 94). Mueva el producto hacia delante a baja velocidad. Si la hierba no está demasiado alta y espesa, también puede obtener un buen resultado de corte a una velocidad superior.

- Para obtener los mejores resultados, corte el césped con frecuencia y utilice la función BioClip.

Mantenimiento

Introducción



ADVERTENCIA: Antes de realizar cualquier trabajo de mantenimiento, debe leer y entender el capítulo sobre seguridad.

X = Estas instrucciones se indican en este manual de usuario.

O = Estas instrucciones no se indican en este manual de usuario. Deje que un taller de servicio homologado haga el mantenimiento.

Programa de mantenimiento

* = mantenimiento general realizado por el operador. Estas instrucciones no se indican en este manual de usuario.

Nota: Si hay más de un intervalo de tiempo indicado en la tabla, el intervalo de tiempo más corto es únicamente para el primer mantenimiento.

Mantenimiento	Diariamente, antes de la puesta en marcha (intervalos de 10 horas)	Tras las primeras 25 horas	Una vez por semana (intervalos de 40 horas)	Intervalo de mantenimiento en horas		
				100	200	400
Asegúrese de que las tuercas y los tornillos están bien apretados	*					
Asegúrese de que no haya fugas de combustible o aceite	*					
Limpie según lo establecido en <i>Limpieza del producto en la página 71</i>	X					
Limpie la superficie interior del equipo de corte, alrededor de las cuchillas	X					
Limpie alrededor del motor y el silenciador	X					
Limpie el enfriador del aceite hidráulico	X					
Asegúrese de que la toma de aire frío del motor no esté obstruida	X					
Asegúrese de que los dispositivos de seguridad no están defectuosos	X					
Examine y realice una prueba de los frenos	*					
Compruebe el nivel de aceite del motor	X					
Compruebe el nivel de aceite de la transmisión			X			
Examine si hay daños en el equipo de corte	X					
Examine las cuchillas del equipo de corte				X		
Compruebe el freno de estacionamiento	X					

Mantenimiento	Diariamente, antes de la puesta en marcha (intervalos de 10 horas)	Tras las primeras 25 horas	Una vez por semana (intervalos de 40 horas)	Intervalo de mantenimiento en horas		
				100	200	400
Limpie las superficies internas del túnel de chasis			*			
Lubrique las guías de deslizamiento del asiento			X			
Lubrique el cojinete articulado			X	X		
Lubrique la máquina de acuerdo con el programa de lubricación		X	X	X		
Limpie el equipo de corte, debajo de las cubiertas de la correa y debajo del equipo de corte			X			
Asegúrese de que la presión de los neumáticos es correcta			X	X		
Cambie el aceite del motor		X		X		
Sustituya el filtro de aceite		X				O
Limpie el filtro de aire			X	X		
Después del procedimiento de limpieza, realice una inspección visual de la tensión de la correa de la TDF		*	*		*	
Después del procedimiento de limpieza, realice una inspección visual de la tensión de la correa de la bomba		*	*		*	
Después del procedimiento de limpieza, realice una inspección visual de los pernos del equipo de corte, las poleas de correa y las cuchillas.	*					
Después del procedimiento de limpieza, realice una inspección visual de las mangueras hidráulicas y los acoplamientos para asegurarse de que están limpios y no están dañados				*		
Después del procedimiento de limpieza, realice una inspección visual del cojinete de unión de la articulación						*
Después del procedimiento de limpieza, realice una inspección visual de todas las poleas					*	
Sustituya el filtro de aire interior		X			X	
Sustituya el cartucho del filtro de aire						X
Sustituya el filtro de combustible.		X		X		
Revise los faros y sustituya las lámparas rotas		X	X	X		
Compruebe el paralelismo del equipo de corte		X	X			
Lubrique el tensor de la correa	X				O	O
Lubrique las juntas y los cojinetes del equipo de corte				X		
Lubrique el sistema de pedales en el hueco del bastidor.				X		

Mantenimiento	Diariamente, antes de la puesta en marcha (intervalos de 10 horas)	Tras las primeras 25 horas	Una vez por semana (intervalos de 40 horas)	Intervalo de mantenimiento en horas		
				100	200	400
Lubrique las cadenas del túnel de chasis				X		
Lubrique el cable del freno de estacionamiento.				X		
Lubrique el cable del acelerador (P 524 solamente)				X		
Lubrique el cable del estrangulador (P 524 solamente)				X		
Lubrique el cable de la transmisión hidrostática				X		
Sustituya la correa de transmisión del equipo de corte						X
Sustituya la correa trapezoidal del equipo de corte						X
Examine el silenciador y el deflector de calor			O	O		
Compruebe si la bujía está dañada y asegúrese de que la distancia entre los electrodos es correcta					X	
Cambie la bujía						X
Compruebe y ajuste el cable del acelerador (P 524 solamente)					O	
Compruebe y ajuste el cable del estrangulador (P 524 solamente)					O	
Limpie las aletas de refrigeración del motor y la transmisión			O	O		
Limpie el motor y la transmisión			O	O		
Compruebe y ajuste la velocidad de rotación de las ruedas delanteras y traseras				O		
Compruebe la manguera de combustible. Sustitúyala si es necesario				O		
Cambie el aceite de la transmisión		O				O

Limpeza del producto



PRECAUCIÓN: No utilice un equipo de limpieza de alta presión o de vapor. El agua puede introducirse en los cojinetes y las conexiones eléctricas, y provocar corrosión y daños al producto.

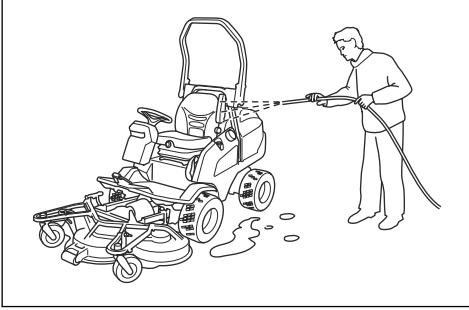
Limpie el producto inmediatamente después de usarlo.

- No limpie las superficies calientes, como el motor, el silenciador y el sistema de escape. Espere hasta que las superficies estén frías y, a continuación, retire la hierba o la suciedad.
- Antes de limpiar con agua, limpie con un cepillo. Retire la hierba cortada y la suciedad de los

elementos siguientes y sus zonas adyacentes: transmisión, toma de aire de la transmisión y motor.

- Use agua corriente de una manguera para limpiar el producto. No utilice un equipo de limpieza a alta presión.
- No dirija el agua hacia los componentes eléctricos o los cojinetes. El detergente generalmente aumenta el daño.
- Para limpiar el equipo de corte, vuelva a colocarlo en la posición de servicio e introduzca agua mediante una manguera.
- Cuando el producto esté limpio, arranque el equipo de corte durante un corto período para drenar el agua restante.

- Examine todos los puntos de lubricación y lubrique si es necesario. Lubrique siempre los cojinetes después de limpiar el producto.



Limpeza del motor y el silenciador

Mantenga el motor y el silenciador limpios, sin restos de hierba ni suciedad. Los restos de hierba impregnados de combustible o aceite en el motor pueden aumentar el riesgo de incendio y el riesgo de que el motor se caliente en exceso. Deje que el motor se enfríe antes de limpiarlo. Limpie con agua y un cepillo.

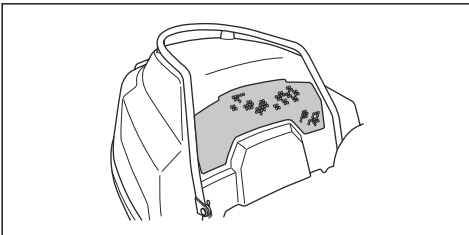
Los restos de hierba alrededor del silenciador se secan rápidamente y son un riesgo de incendio. Utilice un cepillo o retire los restos de hierba con agua cuando el silenciador esté frío.

Limpeza de la toma de aire frío del motor



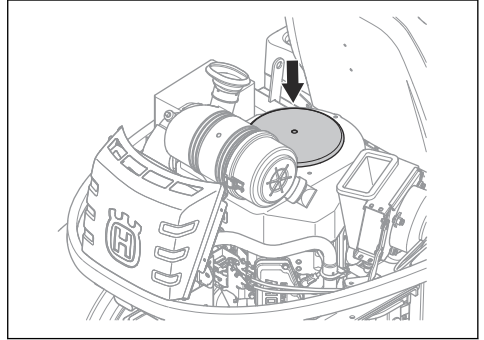
ADVERTENCIA: Pare el motor. La toma de aire frío gira y puede provocar lesiones en los dedos.

1. Asegúrese de que la rejilla de toma de aire no esté bloqueada. Retire la hierba y la suciedad con un cepillo.

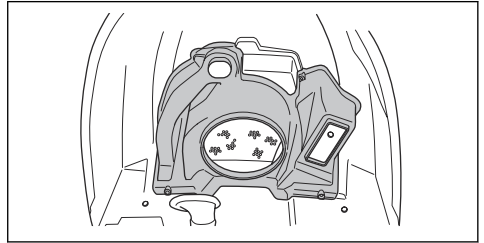


2. Desmonte la cubierta del motor.

3. Asegúrese de que la toma de aire frío no esté bloqueada. Retire la hierba y la suciedad con un cepillo.

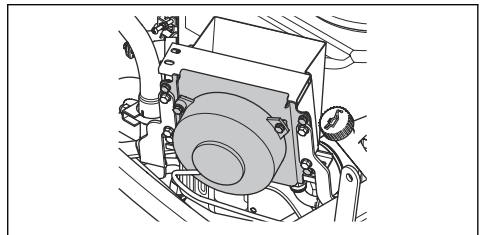


4. Examine el conducto de aire de en la superficie interior de la cubierta del motor. Asegúrese de que el conducto de aire esté limpio y no frote el purificador de aire frío.



Limpeza del enfriador del aceite hidráulico

Asegúrese de que el ventilador del enfriador del aceite hidráulico no esté bloqueado y que la zona que rodea el enfriador del aceite hidráulico esté limpia. Retire la hierba y la suciedad con un cepillo.

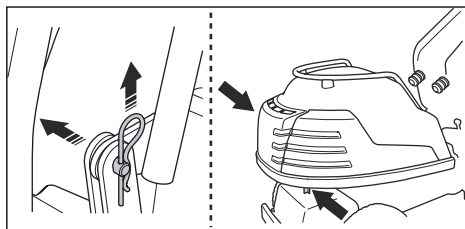


Para retirar las cubiertas

Retirada de la cubierta del motor

1. Mueva el asiento totalmente hacia delante. Consulte *Ajuste del asiento en la página 64*.
2. Inclíne el asiento hacia delante.
3. Retire las chavetas hendidas y los pasadores de chaveta de las bisagras de detrás del asiento.

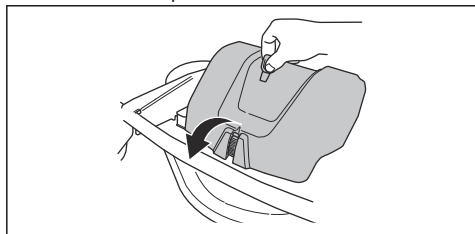
4. Tire hacia atrás de las presillas de la cubierta del motor. Las presillas se encuentran en la superficie interior del bastidor del motor.



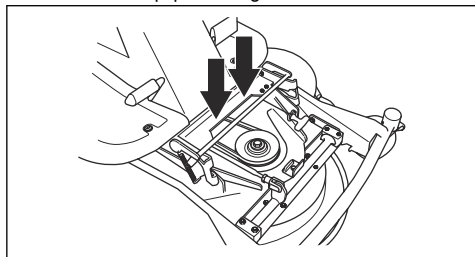
5. Levante y desmonte la cubierta del motor.

Retirada de la cubierta delantera

1. Suelte la abrazadera de la cubierta delantera con la herramienta acoplada a la llave de contacto.

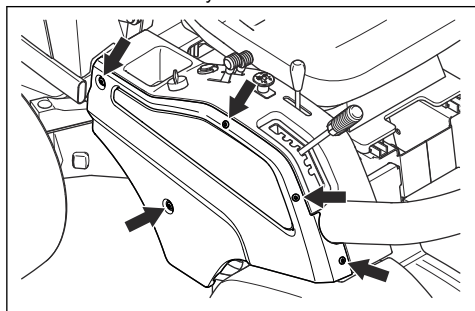


2. Quite la cubierta delantera. Está montada en el bastidor del equipo con 2 ganchos.



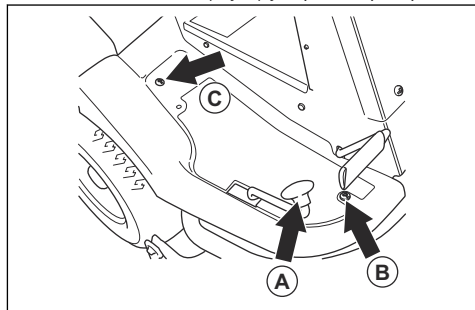
Desmontaje de la cubierta lateral

- Retire los 5 tornillos y desmonte la cubierta lateral.



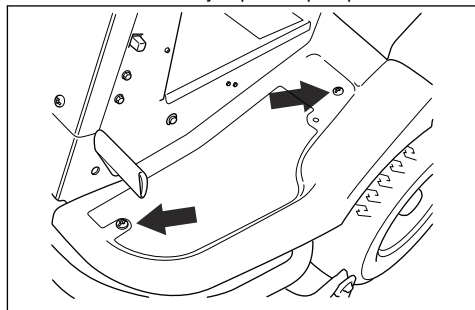
Retirada de la placa reposapiés derecha

1. Gire y retire la perilla del pedal de marcha atrás (A).
2. Retire los 2 tornillos (B y C) y la placa reposapiés.



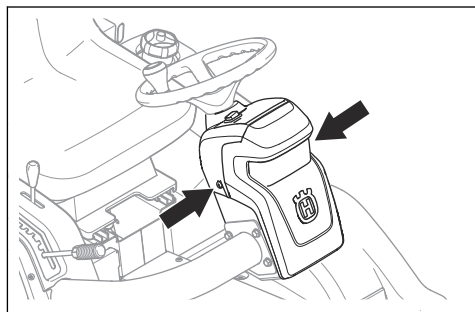
Retirada de la placa reposapiés izquierda

- Retire los 2 tornillos y la placa reposapiés.

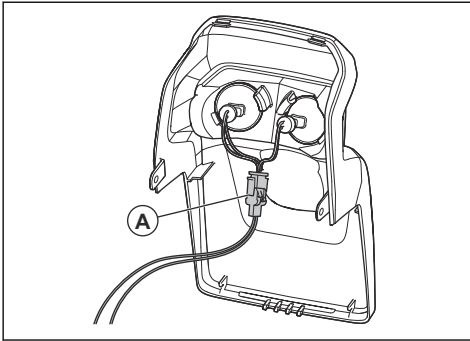


Sustitución de un faro roto

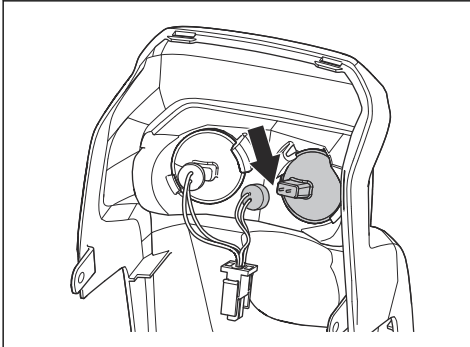
1. Quite los 2 tornillos, uno a cada lado, y retire la cubierta.



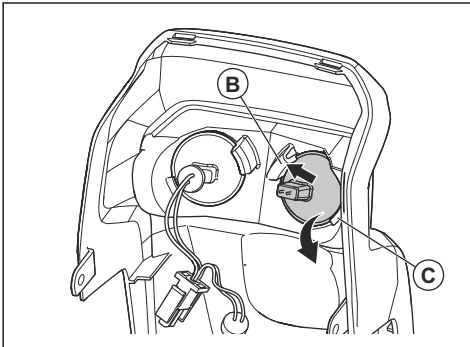
2. Desconecte los cables de la conexión (A).



3. Desconecte los cables del faro roto.

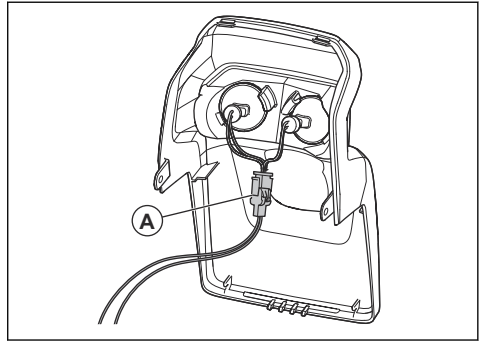


4. Empuje el faro roto hacia el accesorio de faro interior (B).



5. Levante el borde exterior (C) del faro para retirarlo.
6. Sustituya el faro roto. Utilice el tipo de faro según lo establecido en *Datos técnicos en la página 94*.
7. Conecte los cables al nuevo faro.

8. Conecte los cables de la conexión (A).



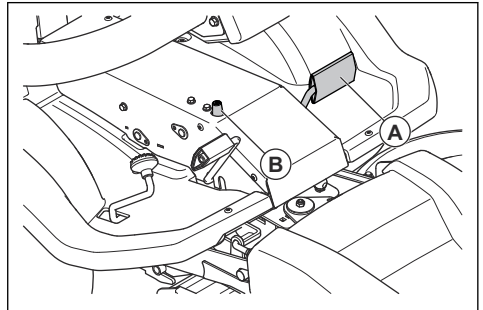
9. Fije la cubierta y apriete los 2 tornillos.

Comprobación del freno de estacionamiento

1. Estacione el producto sobre una superficie dura con pendiente.

Nota: No estacione el producto sobre una pendiente con hierba cuando realice una comprobación del freno de estacionamiento.

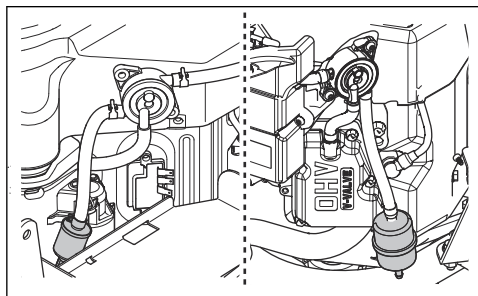
2. Pise el pedal del freno de estacionamiento (A).
3. Pulse y mantenga pulsado el botón de bloqueo (B) y suelte el pedal del freno de estacionamiento mientras el botón está pulsado.



4. Si el producto empieza a moverse, deje que un taller de servicio autorizado ajuste el freno de estacionamiento.
5. Pise el pedal del freno de estacionamiento nuevamente para soltar el freno de estacionamiento.

Volver a colocar el filtro de combustible

1. Retire la cubierta del motor para acceder al filtro de combustible. La ilustración de la derecha muestra P 524. La ilustración de la izquierda muestra P 524EFI.



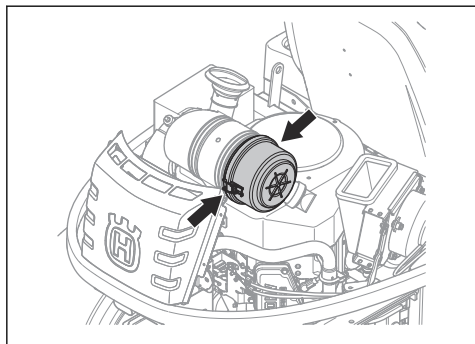
2. Aleje las presillas de manguera del filtro de combustible con un par de alicates planos.
3. Retire el filtro de combustible de los extremos de las mangueras.
4. Presione el nuevo filtro de combustible en los extremos de las mangueras. Aplique líquido detergente a los extremos del filtro de combustible para facilitar la conexión.
5. Empuje las presillas de manguera contra el filtro de combustible.

Limpeza y cambio del filtro de aire



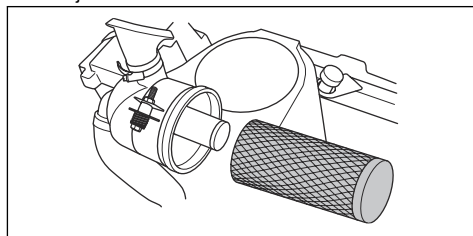
PRECAUCIÓN: No arranque el motor con el filtro de aire desmontado.

1. Desmonte la cubierta del motor.
2. Afloje los 2 cierres que sujetan la cubierta del filtro de aire.

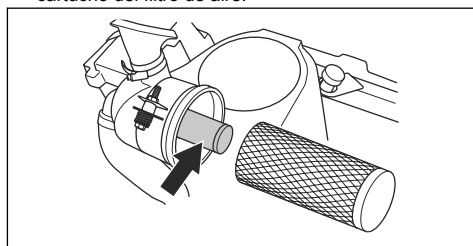


3. Retire la cubierta del filtro de aire.

4. Desmonte el cartucho del filtro de aire contenido en la caja del filtro.



5. Golpee el cartucho del filtro con cuidado contra una superficie dura y sople con aire comprimido en la superficie interior. Sustituya el filtro de aire si no se puede limpiar o está dañado.
6. Retire el filtro de aire interior situado detrás del cartucho del filtro de aire.

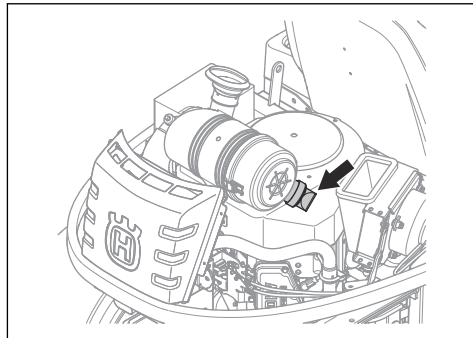


7. Golpee el filtro de aire interior contra una superficie dura para limpiarlo. Sustituya el filtro de aire si no se puede limpiar o está dañado.



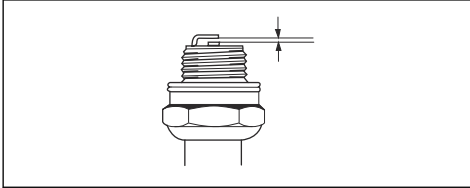
PRECAUCIÓN: No use aire comprimido para limpiar el filtro de aire interior.

8. Ponga el filtro de aire interior y el cartucho del filtro de aire en sus ubicaciones iniciales del cartucho del filtro. Compruebe que el cartucho del filtro de aire está correctamente montado en la parte superior de la toma de aire.
9. Fije la cubierta del filtro de aire y compruebe que el colector de partículas está orientado hacia abajo.



Examen y sustitución de la bujía

1. Abra la cubierta del motor.
2. Quite el terminal del cable de encendido y limpie alrededor de la bujía.
3. Retire la bujía con una llave para bujías de $\frac{3}{4}$ " (19 mm).
4. Examine la bujía. Sustitúyala si los electrodos están quemados o si el aislamiento presenta grietas o daños. Si la bujía no está dañada, límpiela con un cepillo de acero.
5. Mida la distancia entre los electrodos y asegúrese de que es la correcta. Consulte *Datos técnicos en la página 94*.



6. Doble el electrodo lateral para ajustar la distancia entre los electrodos.
7. Vuelva a colocar la bujía y gírela a mano hasta que alcance su asiento.
8. Apriete la bujía con la llave para bujías hasta que la arandela quede comprimida.
9. Apriete una bujía usada $\frac{1}{8}$ de vuelta más, y una bujía nueva $\frac{1}{4}$ de vuelta más.



PRECAUCIÓN: Unas bujías mal apretadas pueden causar daños en el motor.

10. Vuelva a colocar el terminal del cable de encendido.



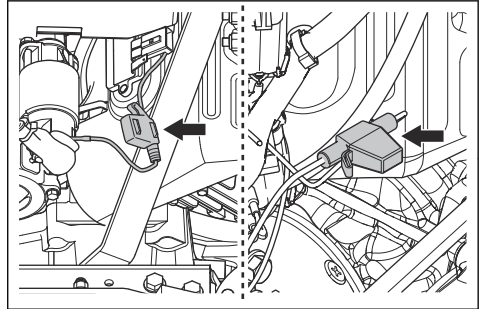
PRECAUCIÓN: No intente arrancar el motor si se ha desconectado la bujía o el cable de encendido.

Sustitución de un fusible

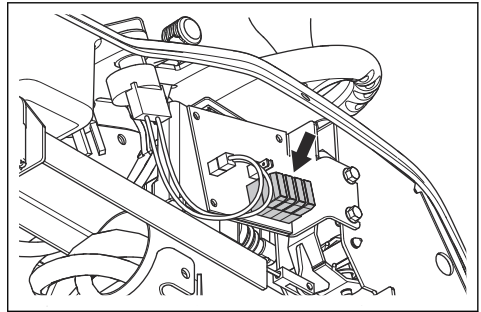
Un fusible roto se identifica por un conector quemado.

1. Retire la cubierta para acceder al fusible roto.

- a) Para sustituir el fusible principal, retire la cubierta del motor. El fusible principal está en un soporte situado debajo de la batería. La ilustración de la derecha muestra P 524. La ilustración de la izquierda muestra P 524EFI.



- b) Para sustituir el fusible de la toma de corriente, retire la cubierta lateral. El fusible de la toma de corriente está debajo del panel de control.



2. Extraiga el fusible del soporte.
3. Cambie el fusible fundido por uno nuevo del mismo tipo. Consulte la sección *Datos técnicos en la página 94*.
4. Coloque las tapas.

Nota: Si el fusible principal se rompe de nuevo en un breve período después de sustituirlo, hay un cortocircuito. Repare el cortocircuito antes de utilizar el producto de nuevo. Deje que un taller de servicio homologado le ayude.

Carga de la batería

- Cargue la batería si está demasiado baja como para arrancar el motor.
- Utilice un cargador de baterías estándar.



PRECAUCIÓN: No utilice un cargador de refuerzo o un amplificador de arranque. Causará daños en el sistema eléctrico del producto.

- Antes de poner en marcha el motor, desconecte siempre el cargador.

Arranque de emergencia del motor

Si la batería está demasiado baja como para arrancar el motor, puede utilizar cables de puente para realizar un arranque de emergencia. Este producto tiene un sistema de 12 V con conexión a tierra negativa. El producto que se utilice para el arranque de emergencia debe tener también un sistema de 12 V con conexión a tierra negativa.

Conexión de los cables de puente

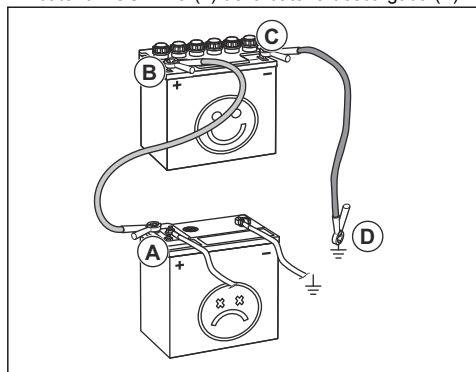


ADVERTENCIA: Existe riesgo de explosión debido a gases explosivos procedentes de la batería. No conecte el terminal negativo de una batería totalmente cargada al terminal negativo de una batería descargada, ni los coloque cerca.



PRECAUCIÓN: No utilice la batería de su producto para arrancar otros vehículos.

1. Desmonte la cubierta del motor.
2. Retire la cubierta de la batería.
3. Conecte un extremo del cable rojo al terminal de batería POSITIVO (+) de la batería descargada (A).



4. Conecte el otro extremo del cable rojo al terminal de batería POSITIVO (+) de la batería totalmente cargada (B).



ADVERTENCIA: No cortocircuite los extremos del cable rojo contra el chasis.

5. Conecte uno de los extremos del cable negro al terminal de batería NEGATIVO (-) de la batería totalmente cargada (C).
6. Conecte el otro extremo del cable negro a un punto de MASA DEL CHASIS (D), lejos del depósito de combustible y la batería.
7. Vuelva a colocar las cubiertas.

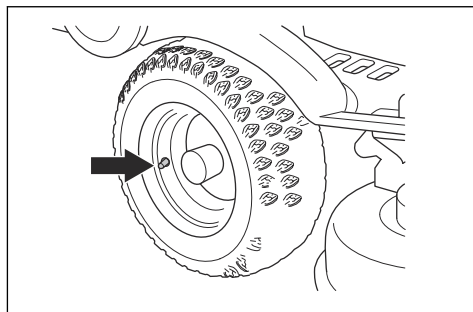
Retirada de los cables de puente

Nota: Retire los cables de puente siguiendo una secuencia opuesta a la de conexión.

1. Quite el cable NEGRO del chasis.
2. Quite el cable NEGRO de la batería totalmente cargada.
3. Quite el cable ROJO de las 2 baterías.

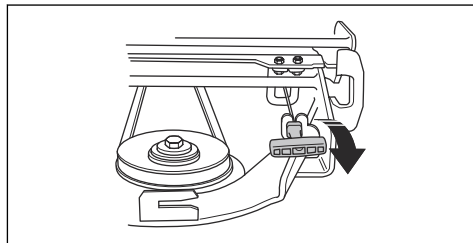
Presión de los neumáticos

Se recomienda una presión de los neumáticos de 100 kPa (1,0 bares / 14,5 PSI) en las 4 ruedas.



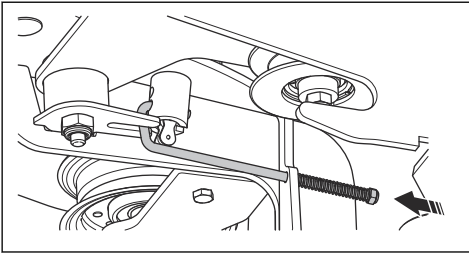
Cambio de la correa de transmisión del equipo de corte

1. Baje el equipo de corte.
2. Quite la cubierta delantera.
3. Tire de la palanca del muelle hacia la izquierda para sacarla del soporte del muelle y aflojar la tensión de la rueda tensora de la correa de transmisión.

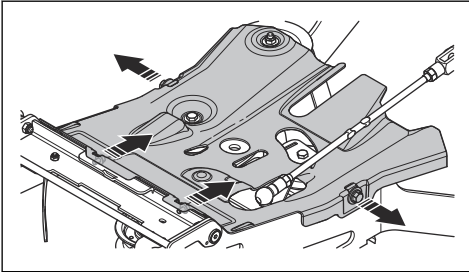


4. Retire la cubierta lateral izquierda del equipo de corte.

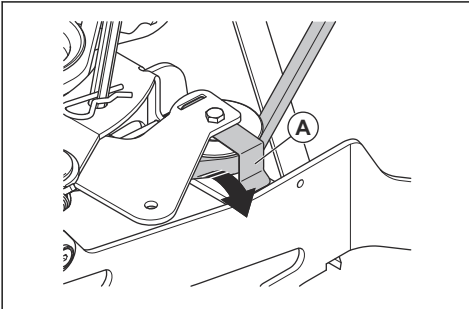
5. Tire del tensor de la cadena de elevación.



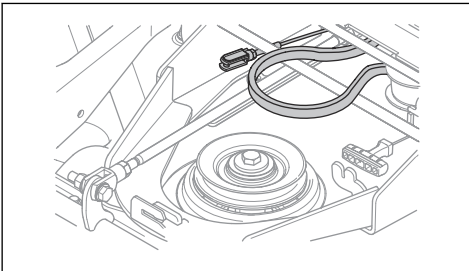
6. Retire los 4 tornillos y extraiga la protección de la correa.



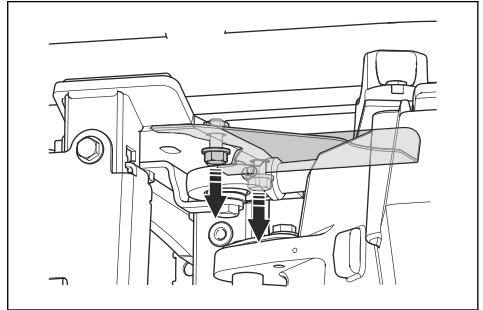
7. Retire la correa de la polea, levante el soporte de la correa (A) y retire la correa de la rueda tensora.



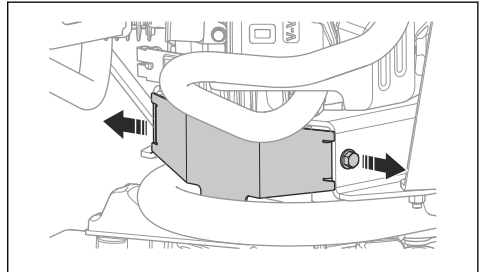
8. Retire la correa de la polea del bastidor de la herramienta.



9. Retire la protección de la correa situada debajo de la polea del motor.

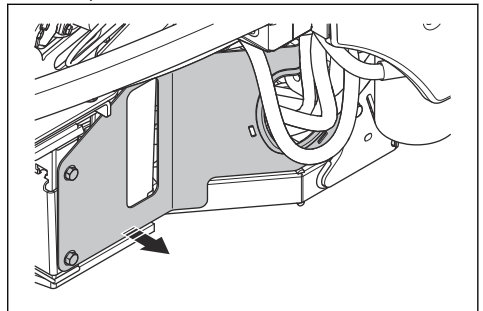


10. Retire la protección de la correa situada delante de la transmisión trasera.

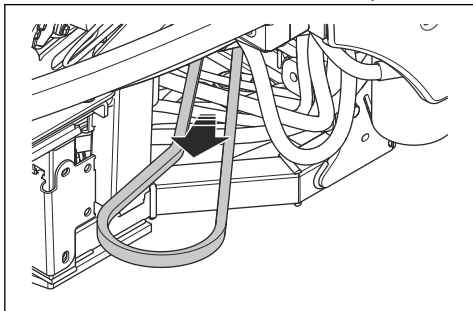


11. Retire la correa de la polea del motor.

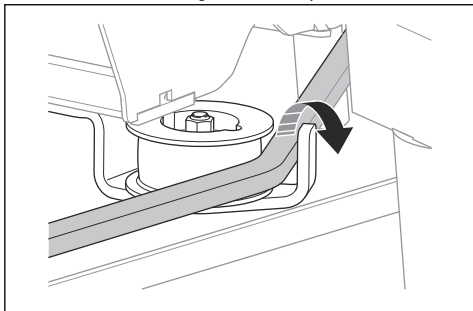
12. Retire la protección de la correa del lado derecho de la máquina.



13. Tire de la parte delantera de la correa a través del lado derecho de la articulación de la máquina.



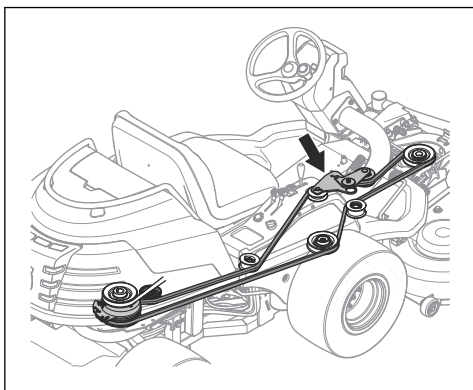
14. Retire la correa del gancho de la polea central.



15. Saque la correa de transmisión.

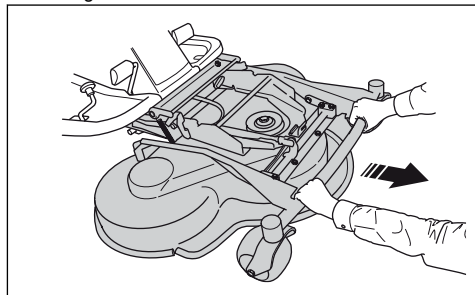
16. Instale una correa de transmisión nueva siguiendo el orden inverso.

Asegúrese de montar la correa de transmisión del equipo de corte según se muestra en ilustración. Asegúrese de colocarla correctamente en la polea de tensado, identificada por una flecha en la ilustración.

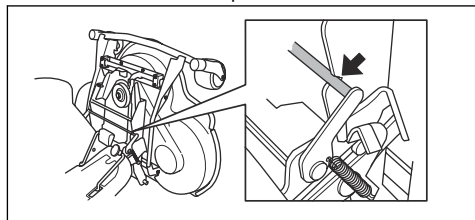


Colocar el equipo de corte en posición de servicio

1. Consulte los pasos del 1 al 8 en *Desmontaje del equipo de corte en la página 63*.
2. Sujete el borde delantero del equipo de corte con las dos manos y tire hacia delante hasta que se detenga.

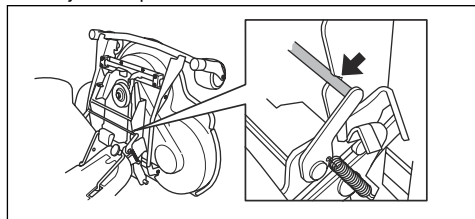


3. Levante el equipo de corte en posición vertical hasta que se oiga un clic. El equipo de corte se bloquea automáticamente en la posición vertical.



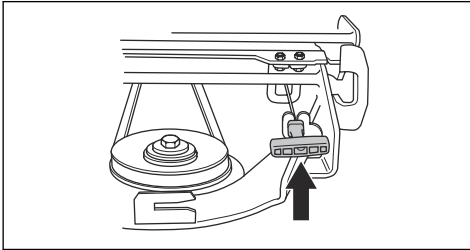
Colocación del equipo de corte en posición de corte

1. Sujete el borde delantero del equipo de corte con la mano izquierda.
2. Afloje el bloqueo con la mano derecha.



3. Baje el equipo de corte y presiónelo hasta que se detenga.
4. Coloque la correa de transmisión alrededor de la rueda motriz del equipo de corte.
5. Monte el cable de ajuste de altura.

- Coloque la palanca del muelle en el soporte del muelle.

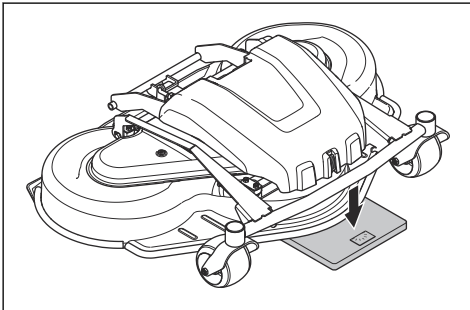


- Monte la cubierta delantera.

Examen y ajuste de la presión sobre el suelo del equipo de corte

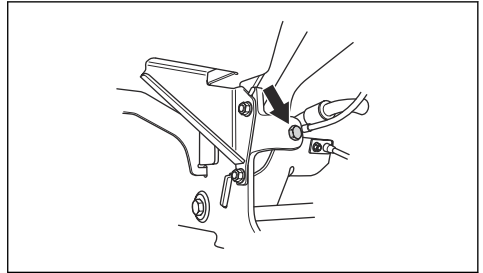
Una presión sobre el suelo correcta garantiza que el equipo de corte se pueda mover por la superficie sin presionarla demasiado.

- Compruebe la presión de aire de los neumáticos. Consulte la sección *Presión de los neumáticos en la página 77*.
- Estacione el cortacésped en una superficie nivelada.
- Baje el equipo de corte a la posición de corte.
- Coloque una báscula de baño debajo del borde delantero del equipo de corte.



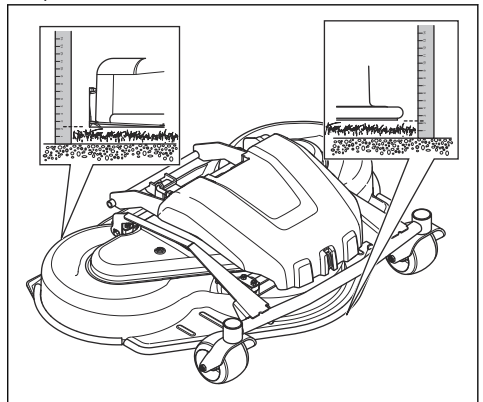
- Coloque un bloque de madera entre el bastidor y la báscula de baño. El bloque de madera sirve para que las ruedas de apoyo no soporten peso.
- La presión sobre el suelo correcta es de entre 12 y 15 kg (26,5-33 libras). Para ajustar la presión sobre el suelo, gire los tornillos de ajuste ubicados detrás de las ruedas delanteras a los lados izquierdo y derecho.

- Gire los tornillos de los lados izquierdo y derecho hasta que la presión sobre el suelo se encuentre entre 12 y 15 kg (26,5-33 libras). Asegúrese de que los muelles tienen la misma tensión en los lados derecho e izquierdo.



Comprobación del paralelismo del equipo de corte

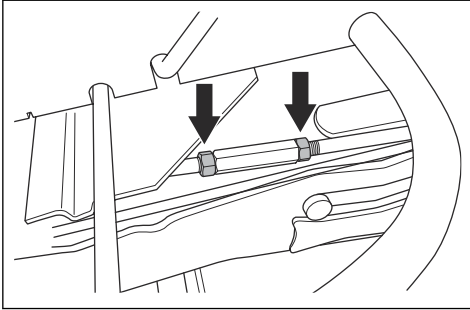
- Compruebe la presión de aire de los neumáticos. Consulte la sección *Presión de los neumáticos en la página 77*.
- Estacione el cortacésped en una superficie nivelada.
- Baje el equipo de corte a la posición de corte.
- Coloque la palanca de la altura de corte en la posición intermedia.
- Mida la distancia entre el suelo y los bordes delantero y trasero del equipo de corte. Asegúrese de que el borde trasero está 4-6 mm (1/5") más alto que el delantero.



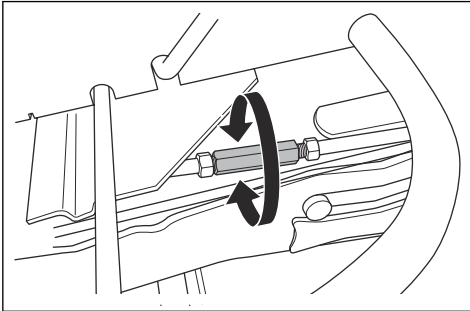
Ajuste del paralelismo del equipo de corte

- Quite la cubierta delantera.

2. Afloje las tuercas del tirante de la dirección.



3. Gire el tirante de la dirección para alargarlo o acortarlo. Alargue el tirante para elevar el borde trasero de la cubierta. Acorte el tirante para bajar el borde trasero de la cubierta.



4. Apriete las tuercas del tirante de la dirección cuando haya realizado el ajuste.
5. Revise el paralelismo. Consulte *Comprobación del paralelismo del equipo de corte en la página 80*.
6. Monte la cubierta delantera.

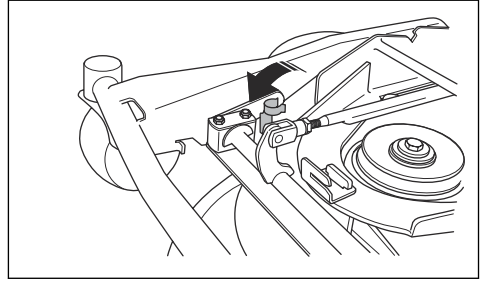
Ajuste de la correa trapezoidal del equipo de corte



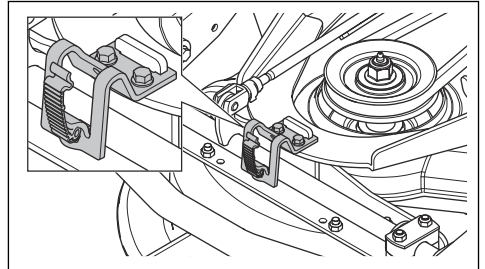
ADVERTENCIA: Riesgo de lesiones por aplastamiento. Utilice guantes protectores.

1. Retire el equipo de corte. Consulte la sección *Desmontaje del equipo de corte en la página 63*.

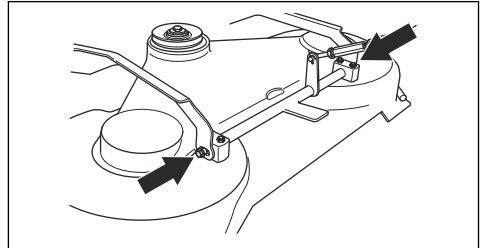
2. Desbloquee el perno del tirante de la dirección.



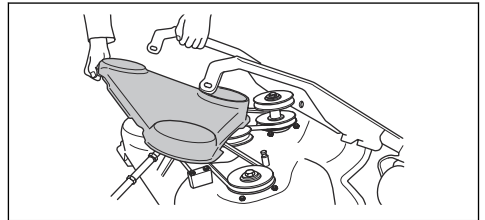
3. Retire los 2 tornillos que sujetan el soporte de bloqueo en el bastidor del equipo de corte.



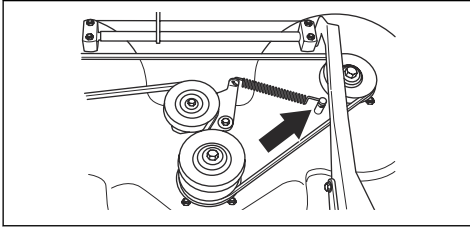
4. Retire el soporte de bloqueo y desmonte el bastidor del equipo de corte.
5. Quite los 2 pernos del bastidor del equipo de corte.



6. Quite los tornillos de la cubierta del equipo de corte. Levante el bastidor del equipo de corte y retire la cubierta del equipo de corte.



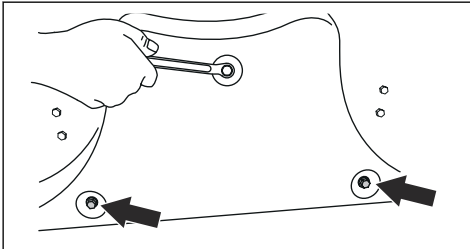
7. Desconecte el muelle tensor de la correa trapezoidal y retire la correa.



8. Instale una correa trapezoidal nueva siguiendo el orden inverso.

Retirada y fijación del tapón bioclip

1. Coloque el equipo de corte en la posición de servicio.
2. Extraiga los 3 tornillos que sujetan el tapón BioClip y quite el tapón.



3. Coloque 3 tornillos M8x15 mm en los orificios del tapón BioClip para evitar dañar las roscas.
4. Coloque el equipo de corte en la posición de corte.
5. Coloque el tapón BioClip siguiendo la secuencia opuesta.

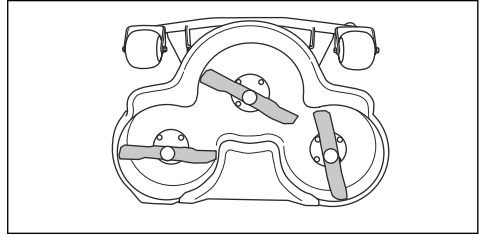
Examinar las cuchillas



PRECAUCIÓN: Unas cuchillas dañadas o mal equilibradas pueden causar daños al producto. Sustituya las cuchillas dañadas. Deje que un taller de servicio homologado le ayude a afilar y equilibrar las cuchillas romas.

1. Coloque el equipo de corte en la posición de servicio.

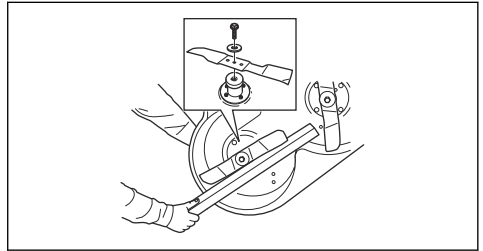
2. Observe las cuchillas para ver si están dañadas y, si es necesario, afilarlas.



3. Apriete los pernos de las cuchillas con un par de apriete de 80–85 Nm.

Sustitución de las cuchillas

1. Coloque el equipo de corte en la posición de servicio.
2. Bloquee la cuchilla con un bloque de madera.



3. Afloje y extraiga los pernos de las cuchillas, las arandelas y la cuchilla.
4. Monte las nuevas cuchillas con los extremos en ángulo orientados al equipo de corte.



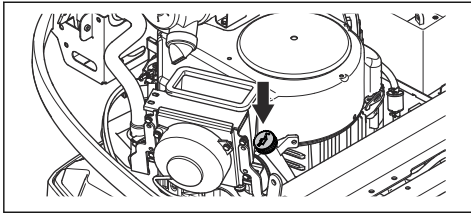
ADVERTENCIA: Usar un tipo de cuchillas incorrecto puede causar que el equipo de corte arroje objetos y causar así lesiones graves. Utilice únicamente las cuchillas que aparecen en *Datos técnicos en la página 94*.

5. Coloque la cuchilla, la arandela y el perno. Apriete el perno con un par de apriete de 80–85 Nm.

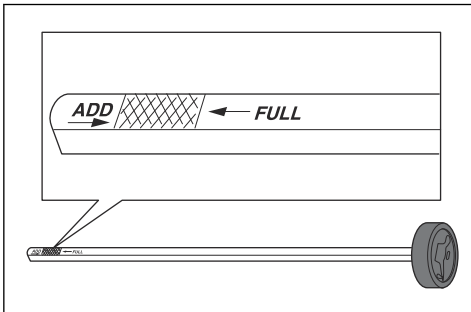
Comprobación del nivel de aceite del motor

1. Estacione el producto sobre un suelo nivelado y detenga el motor.
2. Desmonte la cubierta del motor.

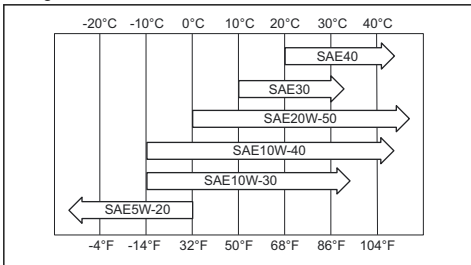
3. Afloje la varilla de nivel y extráigala.



4. Limpie el aceite de la varilla de nivel de aceite.
 5. Vuelva a colocar la varilla de nivel. No la apriete.
 6. Saque varilla y lea el nivel de aceite.
 7. El nivel de aceite debe estar entre las marcas que aparecen en la varilla de nivel. Si el nivel está cerca de la marca de añadir "ADD", llene de aceite hasta la marca de totalmente lleno "FULL".



8. Rellene despacio el aceite a través del orificio de la varilla de nivel. Utilice un aceite con una viscosidad conforme a los intervalos de temperatura de la figura.



PRECAUCIÓN: No mezcle diferentes tipos de aceite.

9. Apriete la varilla de nivel correctamente antes de arrancar el motor. Ponga en marcha la máquina con el motor al ralentí durante 30 segundos aproximadamente. Pare el motor. Espere 30 segundos y vuelva a comprobar el nivel de aceite.

Cambio del aceite del motor y el filtro de aceite

Si el motor está frío, arránquelo durante 1 o 2 minutos antes de drenar el aceite del motor. Esto calienta el aceite del motor y facilita el drenaje.

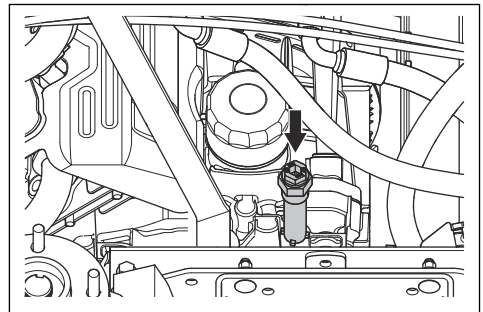


ADVERTENCIA: No deje el motor funcionando más de 1 o 2 minutos antes de drenar el aceite. El aceite del motor se calienta mucho y puede causar quemaduras graves. Deje que el motor se enfríe antes de vaciar el aceite del motor.

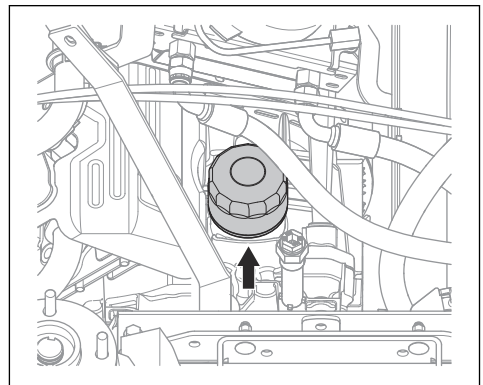


ADVERTENCIA: Si se derrama aceite del motor sobre el cuerpo, lávese con agua y jabón.

1. Desmonte la cubierta del motor.
2. Coloque un recipiente debajo del tapón de vaciado de aceite.

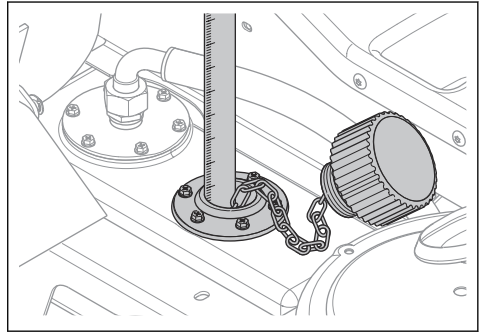


3. Quite la varilla de nivel.
4. Quite el tapón de vaciado de aceite del motor.
5. Deje que el aceite se vierta en el recipiente.
6. Coloque el tapón y apriételo por completo.
7. Gire el filtro de aceite hacia la izquierda para extraerlo.



8. Lubrique ligeramente la junta de goma del nuevo filtro de aceite con aceite nuevo.
9. Para montar el filtro de aceite, gírelo hacia la derecha con la mano hasta que la junta de goma esté en su posición y, a continuación, apriete media vuelta más.
10. Llene con aceite nuevo según lo establecido en *Comprobación del nivel de aceite del motor en la página 82*.
11. Arranque el motor y déjelo al ralentí durante 3 minutos.
12. Pare el motor y asegúrese de que el filtro de aceite no tenga fugas.
13. Llene el depósito con aceite para compensar el aceite del filtro de aceite nuevo.

3. Retire el tapón del depósito de aceite y compruebe el nivel de aceite hidráulico. El nivel correcto es de 40-60 mm desde la parte superior del filtro.

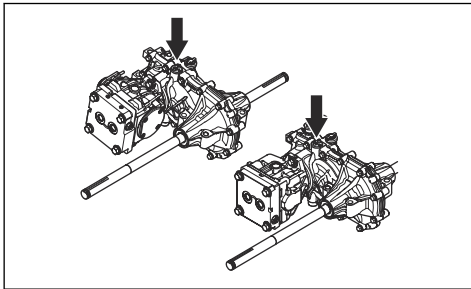


4. Si el nivel de aceite es demasiado bajo, rellene el depósito con el tipo de aceite indicado en *Datos técnicos en la página 94*.

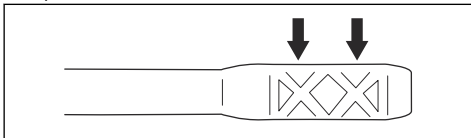
Nota: Para un desechado seguro del aceite de motor usado, consulte *Eliminación en la página 92*.

Comprobación del nivel de aceite de la transmisión

1. Utilice la varilla de nivel de aceite para leer el nivel de aceite de la transmisión.



2. El nivel de aceite debe estar entre las marcas que aparecen en la varilla de nivel.

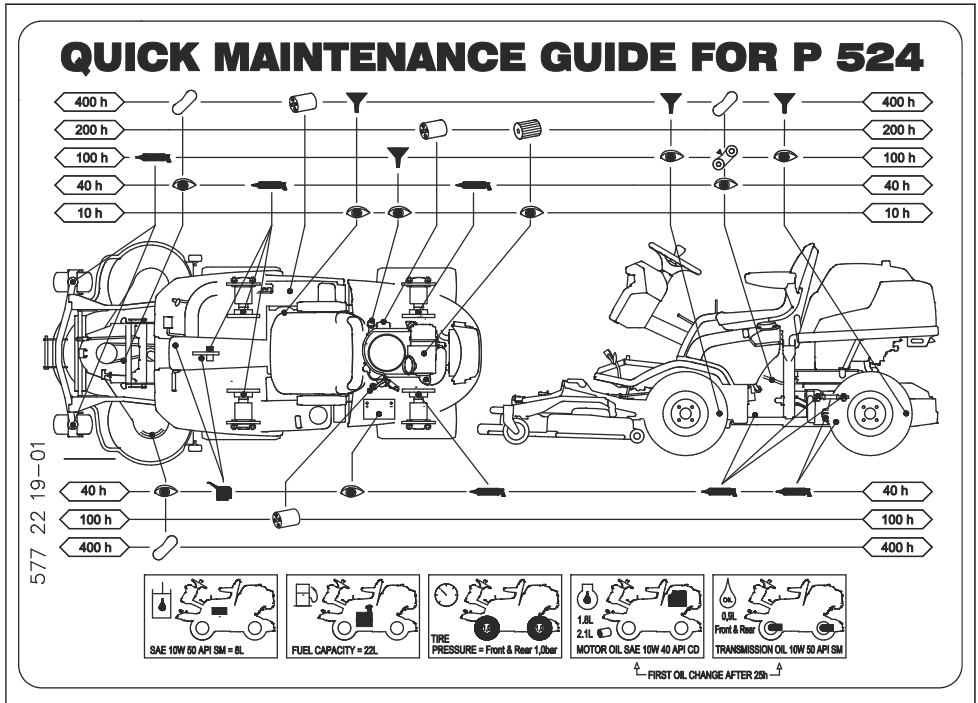


3. Si el nivel de aceite es demasiado bajo, rellene el depósito con el tipo de aceite indicado en *Datos técnicos en la página 94*.

Comprobación del nivel de aceite de la transmisión

1. Incline el asiento hacia delante.
2. Limpie el área alrededor del tapón del depósito de aceite con un paño seco.

Guía rápida de mantenimiento



Símbolos que aparecen en la guía rápida de mantenimiento



Sustituir el filtro



Cambiar el aceite



Examinar visualmente o comprobar el nivel de aceite



Lubricar la boquilla de engrase con grasa



Lubricar con aceite de motor

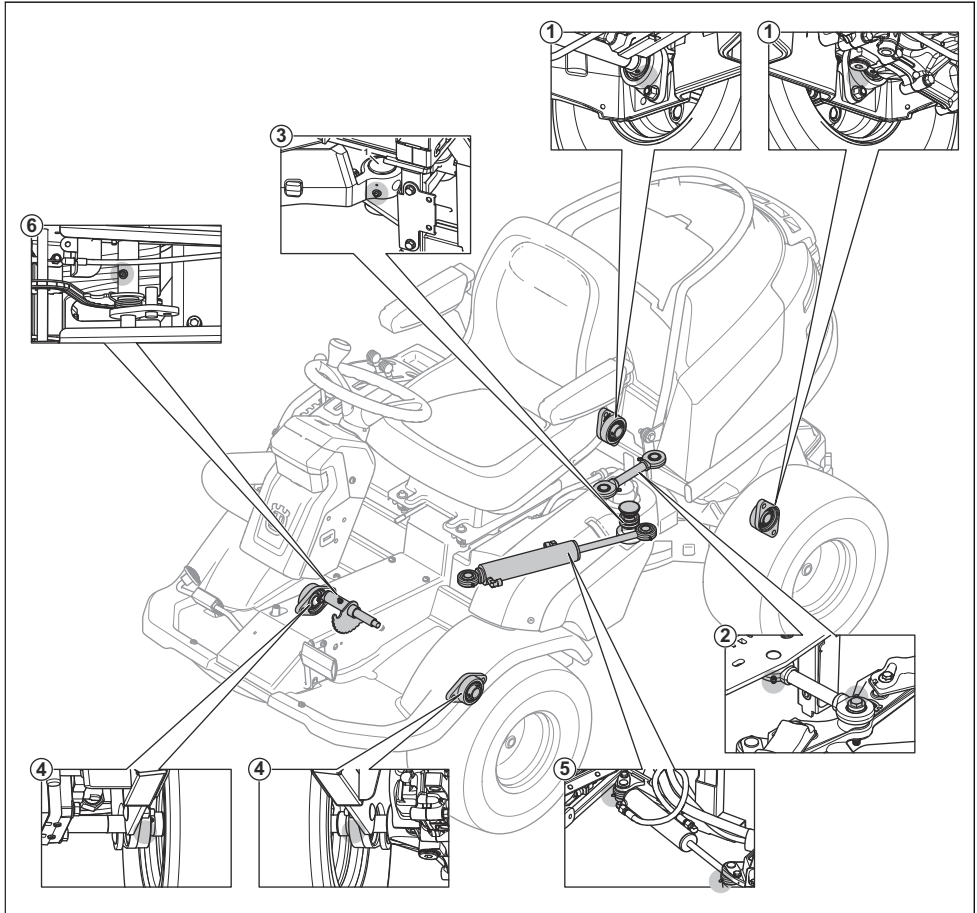


Comprobar el estado y la tensión de la correa de transmisión



Cambiar la correa de transmisión

Información general sobre la lubricación



1. Cojinete del eje trasero
2. Barra de articulación
3. Cojinete de articulación
4. Cojinete del eje delantero
5. Cilindro de dirección
6. Eje de la cadena de elevación

- Lubrique 2 veces a la semana si utiliza el producto a diario.
- No derrame lubricante en las correas de transmisión o las ranuras de las poleas de las correas. Si se derrama, limpie con alcohol. Si la fricción entre la correa de transmisión y la polea no es suficiente después de limpiar con alcohol, cambie la correa de transmisión.

Lubricación, información general

- Retire la llave de contacto para evitar accidentes durante la lubricación.
- Utilice aceite de motor cuando lubrique con una lata de aceite.
- Si lubrica con grasa, utilice grasa para chasis o cojinetes de bolas que evite la corrosión. Limpie la grasa sobrante después de lubricar.



PRECAUCIÓN: No utilice gasolina ni otros productos derivados del petróleo para limpiar las correas de transmisión.

Lubricación de los cables

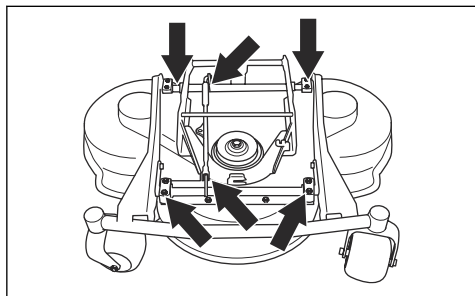
- Lubrique los 2 extremos de los cables y mueva los controles hasta la posición final.

- Coloque las fundas de goma en los cables después de la lubricación.
- Los cables con revestimiento se deben lubricar con frecuencia para evitar fallos.
 - a) Retire el cable y suspéndalo en posición vertical.
 - b) Lubrique el cable con aceite de motor hasta que el aceite resbale por la parte inferior. Sustituya el cable si el aceite no resbala por la parte inferior.

Nota: Puede llenar una bolsa de plástico pequeña con aceite y, con la funda del cable dentro, selle la bolsa con cinta. Deje el cable colgando verticalmente de la bolsa hasta el día siguiente.

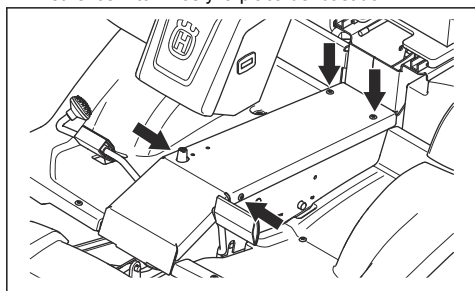
Lubricación del equipo de corte

1. Quite la cubierta delantera.
2. Lubrique las juntas y los cojinetes con aceite de motor.

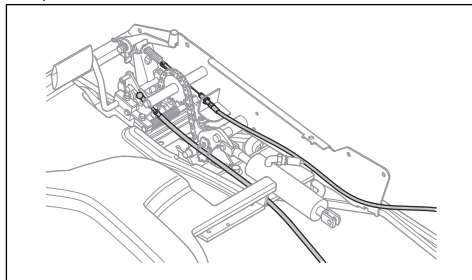


Lubricación del sistema de pedales

1. Retire los 4 tornillos y la placa del bastidor.



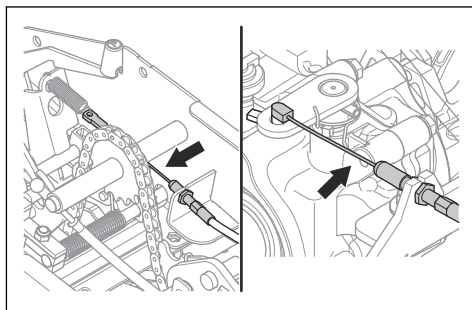
2. Presione y suelte los pedales y lubrique las piezas que se mueven con aceite de motor.



3. Lubrique los cables de los pedales de avance y marcha atrás con aceite de motor.

Lubricación del cable del freno de estacionamiento

1. Retire los 4 tornillos y la placa del bastidor.
2. Desmonte la cubierta lateral izquierda.
3. Retire la funda de goma del cable del freno de estacionamiento.
4. Lubrique los extremos del cable del freno de estacionamiento con aceite de motor.

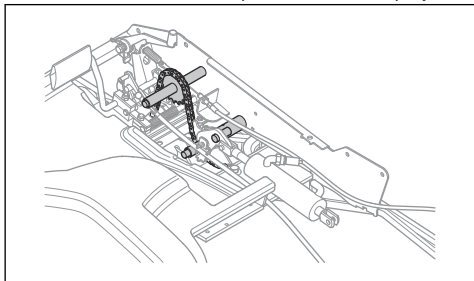


5. Lubrique el cable del freno de estacionamiento con aceite de motor.
6. Pise el pedal del freno de estacionamiento 3 veces y vuelva a lubricar el cable del freno de estacionamiento.
7. Monte la cubierta lateral izquierda y la placa del bastidor.

Lubricación de las cadenas del túnel de chasis

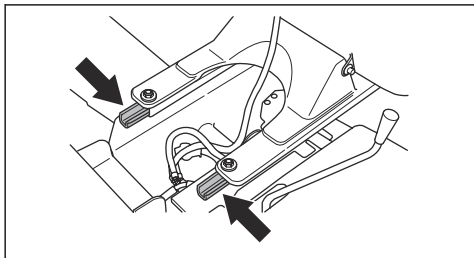
1. Retire los tornillos y la placa del bastidor.

- Lubrique las cadenas del túnel de chasis con aceite de motor o un lubricante para cadenas en spray.



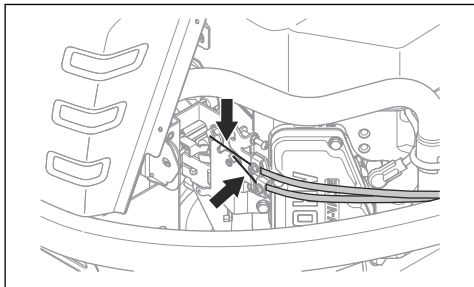
Lubricación de las guías de deslizamiento del asiento

- Incline el asiento hacia delante.
- Lubrique las guías de deslizamiento del asiento con aceite de motor.



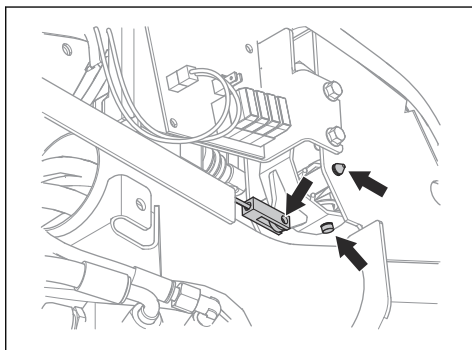
Lubricación del cable del acelerador, el cable del estrangulador y los cojinetes de la palanca (P 524)

- Retire la cubierta lateral derecha.
- Lubrique los extremos libres de los cables, incluidos los extremos cerca del motor, con aceite de motor.



- Mueva el control del acelerador, el control del estrangulador y los controles del equipo de corte a sus posiciones finales y lubrique los cables de nuevo.

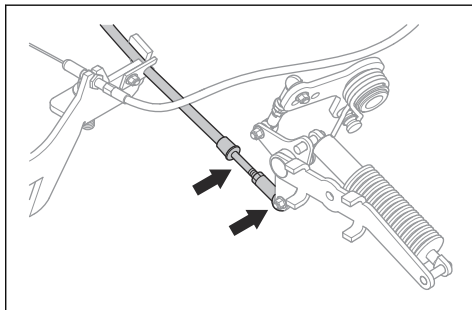
- Lubrique las juntas, los enganches y los cojinetes de los controles del equipo de corte con aceite de motor.



- Monte la cubierta lateral derecha.

Lubricación del cable de la transmisión hidrostática

- Lubrique las juntas y los cojinetes del cable de la transmisión hidrostática con aceite de motor.
- Retire el casquillo de goma y lubrique el cable de la transmisión hidrostática con aceite de motor.

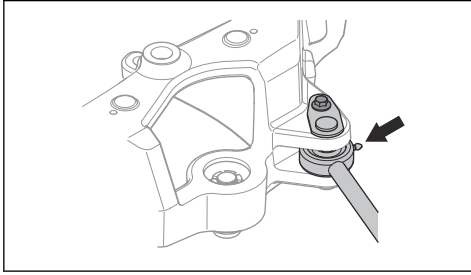


- Pise el pedal de avance 5 veces y vuelva a lubricar el cable de la transmisión hidrostática.
- Monte el casquillo de goma.

Lubricación del cilindro de dirección

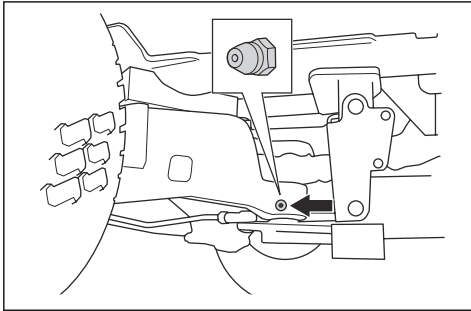
El cilindro de dirección tiene 2 boquillas de engrase, una a cada lado.

- Lubrique con una pistola de engrase hasta que rebose la grasa.



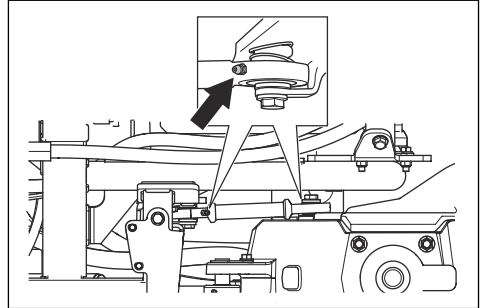
Lubricación del cojinete de unión

1. Lubrique el cojinete de unión de la articulación con una pistola de engrase hasta que rebose la grasa.



Lubricación de la barra de articulación

1. Hay 2 boquillas de engrase, una a cada lado de la barra de articulación. Lubrique con una pistola de engrase hasta que rebose la grasa.



Resolución de problemas

Si no puede encontrar una solución a sus problemas en este manual, hable con su taller de servicio de Husqvarna.

Problema	Causa
El motor de arranque no arranca el motor	El freno de estacionamiento no está accionado. Consulte la sección <i>Aplicar y soltar el freno de estacionamiento en la página 68.</i>
	La palanca de elevación del equipo de corte se encuentra en la posición de corte. Consulte la sección <i>Elevación del equipo de corte en la página 65.</i>
	El fusible principal está fundido. Consulte la sección <i>Sustitución de un fusible en la página 76.</i>
	El contacto está defectuoso.
	La conexión entre el cable y la batería no es buena. Consulte la sección <i>Seguridad de la batería en la página 61.</i>
	La batería está demasiado débil. Consulte la sección <i>Carga de la batería en la página 76.</i>
	El motor de arranque está defectuoso.

Problema	Causa
El motor no arranca cuando el motor de arranque arranca el motor	No hay combustible en el depósito de combustible. Consulte la sección <i>Repostaje de combustible en la página 64</i> .
	La bujía está defectuosa.
	El cable de encendido está defectuoso.
	Hay suciedad en el carburador o la tubería de combustible (P 524).
	Hay suciedad en la tubería de combustible (P 524EFI).
El motor no funciona correctamente	La bujía está defectuosa.
	El carburador no está bien ajustado (P 524).
	El filtro de aire está obstruido. Consulte la sección <i>Limpieza y cambio del filtro de aire en la página 75</i> .
	La ventilación del depósito de combustible está bloqueada.
	Hay suciedad en el carburador o la tubería de combustible (P 524).
	Hay suciedad en la tubería de combustible (P 524EFI).
	El cable del estrangulador no está bien ajustado (P 524).
Aparentemente el motor no recibe alimentación	El filtro de aire está obstruido. Consulte la sección <i>Limpieza y cambio del filtro de aire en la página 75</i> .
	La bujía está defectuosa.
	Hay suciedad en el carburador o la tubería de combustible (P 524).
	Hay suciedad en la tubería de combustible (P 524EFI).
	El cable del acelerador está ajustado incorrectamente.
La transmisión no tiene suficiente potencia.	La toma de aire frío de la transmisión o las aletas de refrigeración están bloqueadas.
	No hay aceite en la transmisión o el nivel de aceite es demasiado bajo. Consulte la sección <i>Comprobación del nivel de aceite de la transmisión en la página 84</i> .
La batería no se carga	La batería está defectuosa. Consulte la sección <i>Seguridad de la batería en la página 61</i> .
	La conexión de los conectores de los cables de los terminales de la batería está en mal estado. Consulte la sección <i>Seguridad de la batería en la página 61</i> .
Se producen vibraciones en el producto	Las cuchillas están flojas. Consulte la sección <i>Examinar las cuchillas en la página 82</i> .
	Una cuchilla o más no están equilibradas. Consulte la sección <i>Examinar las cuchillas en la página 82</i> .
	El motor está suelto.

Problema	Causa
El resultado del corte no es satisfactorio	Las cuchillas están romas. Consulte la sección <i>Sustitución de las cuchillas en la página 82.</i>
	El césped está largo o húmedo. Consulte la sección <i>Para obtener un buen resultado de corte en la página 69.</i>
	El equipo de corte está torcido.
	El equipo de corte presenta una obstrucción por hierba. Consulte la sección <i>Limpieza del producto en la página 71.</i>
	La presión de los neumáticos es distinta en el lado derecho e izquierdo. Consulte la sección <i>Presión de los neumáticos en la página 77.</i>
	El producto funciona a una velocidad demasiado alta. Consulte la sección <i>Para obtener un buen resultado de corte en la página 69.</i>
	El régimen del motor es demasiado bajo. Consulte la sección <i>Para obtener un buen resultado de corte en la página 69.</i>
	La correa de transmisión resbala.

Problemas relacionados con las luces de advertencia de P 524EFI

Problema	Síntomas	Causa
El régimen del motor se reduce a ralentí bajo y se enciende la luz de avería del motor	El motor está demasiado caliente.	Hay suciedad en las superficies internas del alojamiento del motor.
		El sensor de temperatura o el circuito están defectuosos.
	La tensión de la batería no es correcta.	La batería está demasiado débil o está defectuosa. Consulte la sección <i>Carga de la batería en la página 76.</i>
		La fuente de alimentación o el sistema de carga están defectuosos.
	El sensor de entrada del acelerador de mano no funciona correctamente.	El cableado es incorrecto o el sensor está defectuoso.
	La ECU interna o el cuerpo del acelerador no funcionan correctamente.	El control de la válvula aceleradora está defectuoso.
		La posición del sensor del acelerador no es correcta.
El motor detecta sobrevelocidad.	El régimen del motor es superior a la velocidad máxima.	
El régimen del motor se reduce a ralentí bajo y se enciende la luz de presión de aceite baja	La presión de aceite es demasiado baja.	El nivel de aceite es bajo. Consulte <i>Comprobación del nivel de aceite del motor en la página 82</i>
		El interruptor o el circuito de aceite están defectuosos.
		El sistema de lubricación está defectuoso.

Transporte, almacenamiento y eliminación

Transporte

- El producto es pesado y puede causar lesiones por aplastamiento. Tenga cuidado al cargarlo o descargarlo de un vehículo o remolque.
- Utilice solo un remolque homologado para el transporte del producto.
- Asegúrese de que conoce las normas de tráfico locales antes de transportar el producto en un remolque o circular por carretera.

Conexión segura del producto en un remolque para su transporte



ADVERTENCIA: El freno de estacionamiento no es suficiente para bloquear el producto durante el transporte. Conecte firmemente el producto en el remolque.

Equipo: 2 correas de tensión homologadas y 4 bloques con forma de cuña para las ruedas.

1. Active el freno de estacionamiento.
2. Fije las correas de tensión alrededor del bastidor o el vagón trasero.
3. Apriete las correas de tensión en el sentido de la parte trasera y delantera del remolque para fijar el producto.
4. Coloque los bloques de cuña delante y detrás de las ruedas traseras.

Remolque del producto

El producto tiene una transmisión hidrostática. Para evitar daños en la transmisión, remolque el producto solo distancias cortas y a baja velocidad.

Desacople la transmisión cuando use el remolque. Consulte *Para liberar y aplicar la presión hidráulica en la página 64*.

Almacenamiento

Prepare el producto para guardarlo al final de la temporada, y si va almacenarlo durante más de 30 días. Si deja combustible en el depósito durante 30 días o más, las partículas pegajosas pueden atascar el carburador. Esto tendrá un efecto negativo en el funcionamiento del motor.

Para evitar la aparición de partículas pegajosas durante el almacenamiento, agregue un estabilizador. Si utiliza gasolina a base de alquilatos, no es necesario usar un estabilizador. Si utiliza gasolina estándar, no cambie a gasolina con alquilato. Esto puede provocar que las piezas de goma sensibles se vuelvan duras. Añada un estabilizador al depósito o recipiente donde se almacena el combustible. Utilice siempre las proporciones de mezcla especificadas por el fabricante.

Haga funcionar el motor durante un mínimo de 10 minutos después de agregar el estabilizador hasta que este llegue al carburador.



ADVERTENCIA: No guarde el producto con combustible en el depósito en interiores o en lugares con una mala ventilación. Existe peligro de incendio si los vapores del combustible entran en contacto con llamas desnudas, chispas o luces piloto, por ejemplo, de calderas de calefacción, depósitos de agua caliente y secadoras de ropa.



ADVERTENCIA: Retire la hierba, las hojas y otros materiales inflamables del producto para disminuir el riesgo de incendio. Deje que el producto se enfríe antes de volver a colocarlo en su lugar de almacenamiento.

- Limpie el producto; consulte *Limpieza del producto en la página 71*. Repare los daños en la pintura para evitar la corrosión.
- Examine el producto por si hubiera piezas dañadas o desgastadas, y apriete las tuercas y tornillos flojos.
- Desmonte la batería. Límpiela, cárguela y manténgala en un lugar fresco durante el almacenamiento.
- Cambie el aceite del motor y deseche el aceite usado.
- Vacíe el depósito de combustible. Arranque el motor y déjelo funcionar hasta que no haya restos de combustible en el carburador.

Nota: No vacíe el depósito de combustible ni el carburador si se ha añadido un estabilizador.

- Quite los tapones e introduzca aproximadamente una cucharada de aceite de motor en cada cilindro. Gire manualmente el eje del motor para distribuir el aceite y vuelva a colocar los tapones.
- Lubrique todas las boquillas de engrase, las juntas y los ejes.
- Guarde el producto en una zona limpia y seca, y cúbralo para mayor protección.
- Su distribuidor puede proporcionarle una cubierta de protección para el almacenamiento o transporte de su producto.

Eliminación

- Las sustancias químicas pueden ser peligrosas y no deben verterse al suelo. Deseche siempre los productos químicos en su centro de servicio o en una ubicación adecuada para su eliminación.
- Cuando el producto se desgaste, envíelo al distribuidor o a centro de reciclaje adecuado.

- El aceite, los filtros de aceite, el combustible y la batería pueden ser perjudiciales para el medio ambiente. Respete los requisitos de reciclaje locales y las normas aplicables.
- No deseche la batería como residuo doméstico.
- Envíe la batería a un taller de servicio Husqvarna o deséchela en una ubicación de residuos para las baterías agotadas.

Datos técnicos

Datos técnicos

	P 524	P 524EFI
Dimensiones , consulte también <i>Dimensiones del producto en la página 97</i>		
Longitud sin equipo de corte, mm	2058	2058
Peso sin equipo de corte, con depósitos vacíos, kg	427	432
Dimensiones de los neumáticos	18 × 8,50 × 8	18 × 8,50 × 8
Presión de aire, traseros y delanteros, kPa/bar/PSI	100 / 1,0 / 14,5	100 / 1,0 / 14,5
Máx. pendiente, grados °	10	10
Motor		
Marca/modelo	Kawasaki / V-Twin, FX691V-KME09023	Kawasaki / V-Twin, FX730V EFI-KME01609-C1
Potencia nominal del motor, kW ⁵	13,9	15,6
Cilindrada, cm ³	726	726
Régimen máximo del motor, rpm	3000 +/- 75	3000 +/- 75
Máx. velocidad hacia delante en km/h,	13	13
Combustible, un octanaje mín. sin plomo	95 (metanol máx. 5%, etanol máx. 10%, máx. MTBE máx. 15%)	95 (metanol máx. 5%, etanol máx. 10%, máx. MTBE máx. 15%)
Volumen del depósito, litros	22	22
Oil, API clase CD o superior	SAE 10W/40	SAE 10W/40
Volumen de aceite con filtro incluido, litros	2,1	2,1
Volumen de aceite sin filtro, litros	1,8	1,8
Motor de arranque	Arranque eléctrico de 12 V	Arranque eléctrico de 12 V
Transmisión		
Marca/modelo	Kanzaki / KTM 23	Kanzaki / KTM 23
Aceite, clase API SM, ACEA A3/B4	SAE 10W/50 Sintético	SAE 10W/50 Sintético
Capacidad de aceite de la parte delantera de la caja de cambios, litros	0.9	0.9
Capacidad de aceite de la parte posterior de la caja de cambios, litros	0.9	0.9
Sistema hidráulico		
Presión de trabajo máx., bar (psi)	120/1740	120/1740

⁵ La potencia de salida del motor indicada es la potencia neta media (a la velocidad especificada) de un motor de producción típico para el modelo de motor conforme a la norma SAE J1349/ISO1585. Los motores fabricados en serie podrían presentar valores diferentes. La potencia de salida real del motor instalado en el producto final dependerá de la velocidad de funcionamiento, las condiciones medioambientales y otros valores.

	P 524	P 524EFI
Capacidad del depósito hidráulico, litros	8	8
Capacidad del sistema hidráulico, litros	13	13
Aceite, API clase SM o superior	SAE 10W/50 Sintético	SAE 10W/50 Sintético
Sistema eléctrico		
Tipo	12 V, negativo a tierra	12 V, negativo a tierra
Batería	12 V, 24 Ah	12 V, 24 Ah
Bujía	NGK BPR4ES	NGK BPR4ES
Fusible principal, patilla plana, A	20	20
Fusible de la toma de corriente, patilla plana, A	5	5
Distancia entre los electrodos, mm (pulg.)	0,75/0,030	0,75/0,030
Luces	LED, 2 × 12 V 4,6–6,5 W, GU5.3, MR16	LED, 2 × 12 V 4,6–6,5 W, GU5.3, MR16
Equipo de corte		
Tipo	Combi 103	Combi 122
	Combi 112	
	Combi 122	

Equipo de corte	Combi 103	Combi 112	Combi 122
Anchura de corte, mm	1030	1120	1220
Altura de corte, 7 posiciones, mm	25-80	25-80	25-80
Anchura, mm	1120	1220	1330
Peso, kg	49	56	64
Cuchilla			
Longitud, mm	383	420	454
Referencia	5041904-10	5041878-10	5354294-10
Emisiones de ruido⁶			
Nivel de potencia acústica medida, dB(A)	99	99	102
Nivel de potencia acústica garantizada, dB(A)	100	100	104
Niveles acústicos⁷			
Nivel de presión sonora en el oído del operario, dB(A)	86	85	89

⁶ Emisiones sonoras en el entorno medidas como potencia acústica (L_{WA}) según la directiva CE 2000/14/CE.

⁷ Nivel de presión sonora conforme a la norma EN ISO 5395. Los datos referidos del nivel de presión sonora tienen una dispersión estadística habitual (desviación típica) de 1,2 dB (A).

Equipo de corte	Combi 103	Combi 112	Combi 122
Niveles de vibraciones⁸			
Nivel de vibración en el volante, m/s ²	1,7	1,7	1,7
Nivel de vibración en el asiento, m/s ²	0,7	0,7	0,7

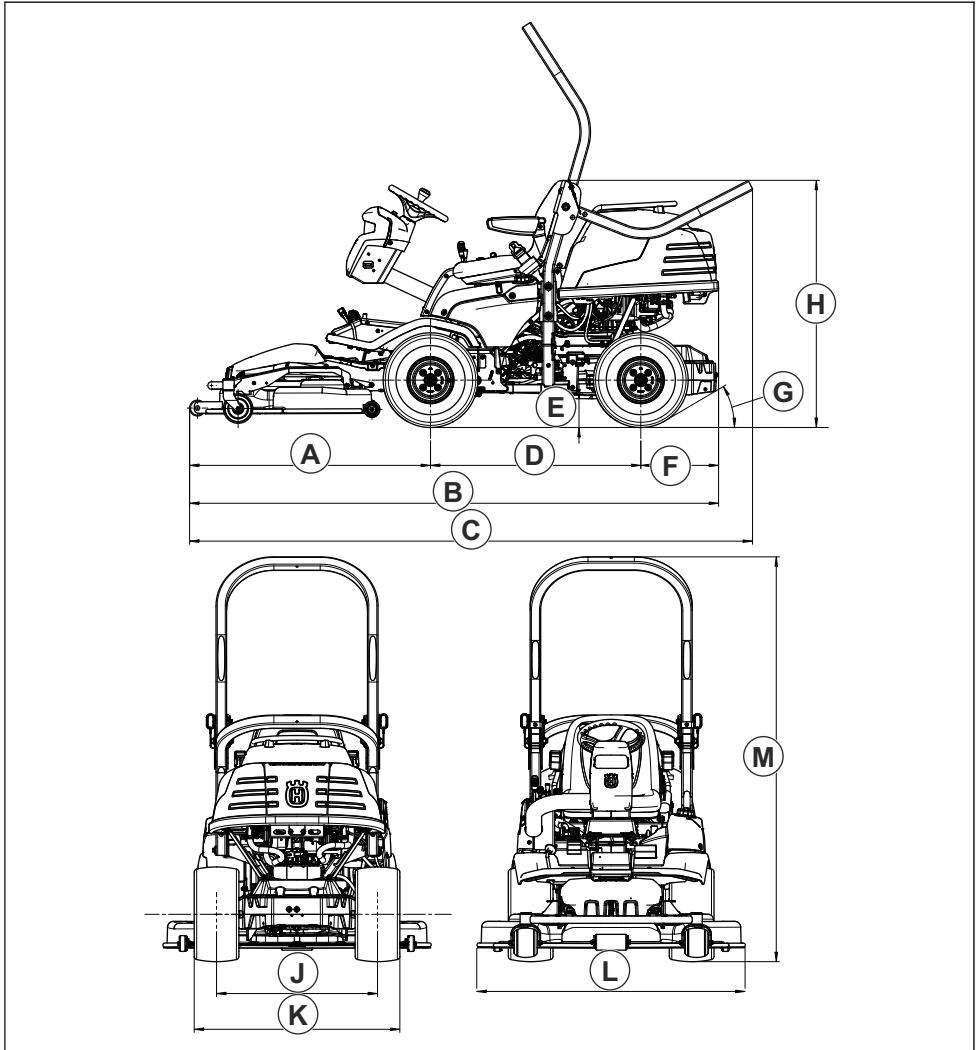


ADVERTENCIA: Utilizar un equipo de corte que no esté homologado para el producto puede causar proyección de objetos a alta velocidad, lo que podría causar lesiones

graves. No utilice otros tipos de equipo de corte diferentes a los especificados en este manual del propietario.

⁸ Nivel de vibración conforme a EN ISO 5395. Los datos referidos del nivel de vibración poseen una dispersión estadística habitual (desviación típica) de 0,2 m/s² (volante) y 0,8 m/s² (asiento).

Dimensiones del producto



Las dimensiones, incluidas las del equipo de corte, se miden con el equipo de corte Combi 122 instalado.

A	1145 mm	D	1000 mm	G	30°	K	977 mm
B	2514 mm	E	137 mm	H	1174 mm	L	1275 mm
C	2675 mm	F	370 mm	J	765 mm	M	1924 mm

Accesorios

En este manual del usuario no se incluyen las instrucciones de mantenimiento del equipo o los

accesorios opcionales. Consulte las instrucciones en el manual del usuario del accesorio o el equipo.

Servicio técnico

Haga una comprobación anual en un centro de servicio autorizado para asegurarse de que el producto funcione de manera segura y sin problemas durante la temporada alta. El mejor momento para realizar el mantenimiento o la revisión de este producto es la temporada baja.

Al enviar un pedido de piezas de repuesto, proporcione información sobre el año de compra, el modelo, el tipo y el n.º de serie.

Utilice siempre piezas de repuesto originales.

Garantía

Garantía de la transmisión

La garantía de la transmisión solo es aplicable si se realizan comprobaciones de la velocidad de las ruedas delanteras y traseras según lo establecido en el programa de mantenimiento. Para evitar daños en el sistema de transmisión, deje que un taller de servicio autorizado lo ajuste correctamente.

Declaración CE de conformidad

Declaración CE de conformidad

Husqvarna AB, SE-561 82 Huskvarna (Suecia), tel.: +46-36-146500, garantiza que el **tractor cortacésped P 524Husqvarna y P 524EFI**, a partir de los números de serie del año 2018 en adelante (el año se indica claramente en la placa de características, seguido del n.º de serie), cumplen con las siguientes disposiciones de la DIRECTIVA DEL CONSEJO:

- de 17 de mayo de 2006 "relativa a máquinas", **2006/42/CE**.
- de 26 de febrero de 2014 "relativa a compatibilidad electromagnética", **2014/30/UE**.
- de 8 de mayo de 2000 "relativa a emisiones sonoras en el entorno", **2000/14/CE**.

Para obtener más información acerca de las emisiones sonoras y la anchura de segado, consulte los datos técnicos.

Se han aplicado las siguientes normas armonizadas:

EN ISO 12100, EN ISO 5395-1, EN ISO 5395-3

Si no se indica lo contrario, las normas anteriormente indicadas constituyen las últimas versiones publicadas.

Organismo notificado: **0404, RISE SMP Svensk Maskinprovning AB, Box 7035, SE-750 07 Uppsala** ha elaborado informes sobre la evaluación de la conformidad con el Anexo VI de la DIRECTIVA DEL CONSEJO del 8 de mayo de 2000 "referente a las emisiones sonoras en el entorno" 2000/14/CE.

Los certificados tienen los números: 01/901/141, 01/901/308

Huskvarna, 2018-05-18



Claes Losdal, Director de desarrollo/productos para el jardín (representante autorizado de Husqvarna AB y responsable de la documentación técnica).

Sommario

Introduzione.....	100	Dati tecnici.....	145
Sicurezza.....	107	Accessori.....	148
Montaggio.....	113	Assistenza.....	148
Utilizzo.....	115	Garanzia.....	148
Manutenzione.....	120	Dichiarazione CE di conformità.....	149
Ricerca dei guasti.....	140	0
Trasporto, stoccaggio e smaltimento.....	143		

Introduzione

Ispezione di preconsegna e numeri di prodotto

firmata del documento di ispezione pre-consegna dal rivenditore.

Nota: Un'ispezione di preconsegna è stata effettuata per questo prodotto. Assicurarsi di ricevere una copia

Informazioni di contatto dell'officina:	
Il presente manuale operatore si riferisce al prodotto con codice/numero di serie:	
/	
Motore:	
Trasmissione:	

Descrizione del prodotto

Il prodotto è un trattorino rasaerba. I pedali di marcia avanti e retromarcia consentono all'operatore di regolare la velocità senza interruzioni. Il contaore indica quante ore il prodotto è stato utilizzato. Il prodotto dispone di fari anteriori, trazione integrale (AWD) e viene utilizzato con piatti di taglio Combi con BioClip.

Uso previsto

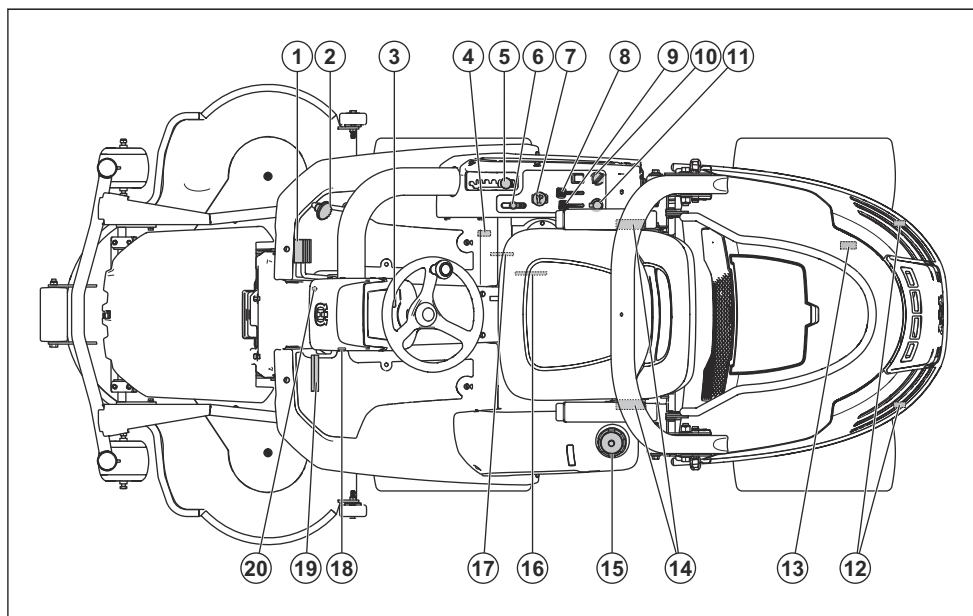
Il prodotto è concepito per falciare l'erba su terreni piani e aperti in aree residenziali e giardini. Montare un

accessorio opzionale per usare il prodotto per altre attività. Rivolgersi al proprio rivenditore Husqvarna per maggiori informazioni sulla disponibilità dei singoli accessori.

Assicurazione del prodotto

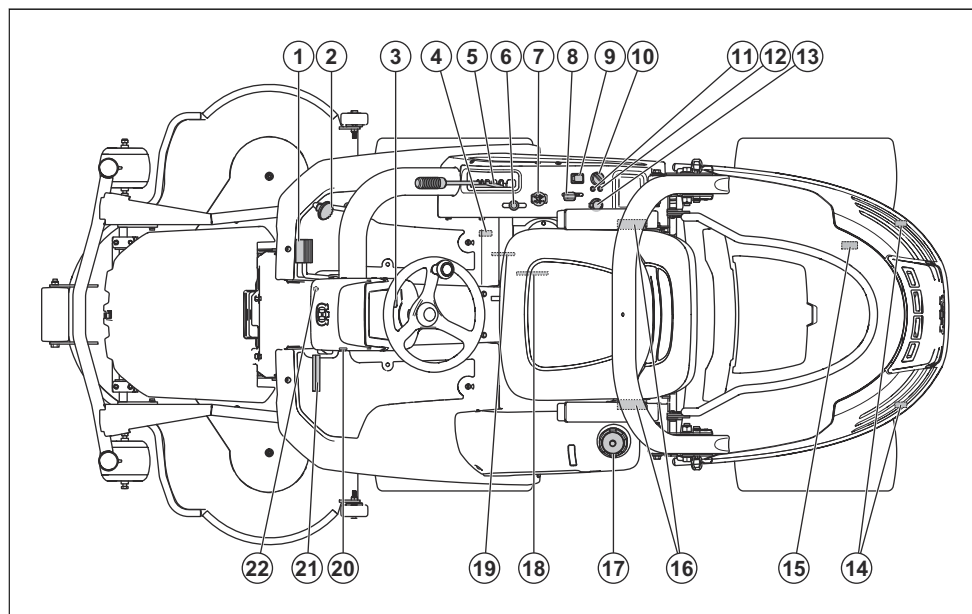
Accertarsi di disporre della copertura assicurativa per il nuovo prodotto. Contattare la propria compagnia assicurativa se non si è sicuri di disporre della copertura. Si raccomanda un'assicurazione completa che copra lesioni contro terzi, incendio, danni, furto e responsabilità civile.

Panoramica del prodotto P 524



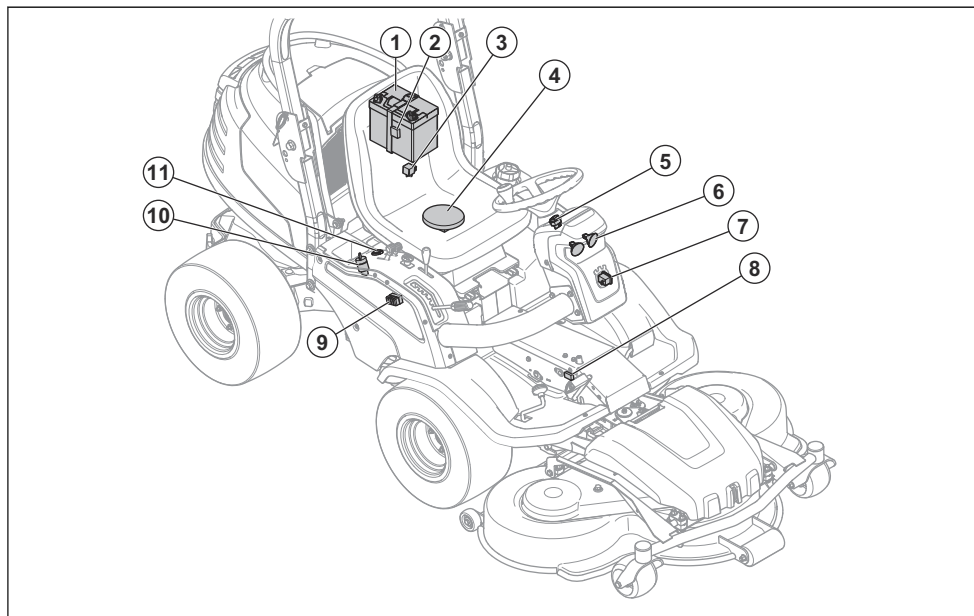
- | | |
|--|--|
| 1. Pedale di marcia avanti | 11. Presa di corrente 12 V |
| 2. Pedale di retromarcia | 12. Serratura del cofano |
| 3. Interruttore luci | 13. Valvola di bypass per innestare o disinnestare la trasmissione sull'asse posteriore. |
| 4. Valvola di bypass per innestare o disinnestare la trasmissione sull'assale anteriore. | 14. Cintura di sicurezza |
| 5. Leva dell'altezza di taglio | 15. Tappo del serbatoio del carburante |
| 6. Leva di sollevamento per il piatto di taglio | 16. Regolazione del sedile |
| 7. Pulsante PTO (presa di forza), avvio e arresto del piatto di taglio | 17. Piastrina modello |
| 8. Comando dell'acceleratore | 18. Contaore |
| 9. Comando della valvola dell'aria | 19. Freno di stazionamento |
| 10. Blocco accensione | 20. Pulsante di bloccaggio per il freno di stazionamento |

Panoramica del prodotto P 524EFI



- | | |
|--|--|
| 1. Pedale di marcia avanti | 12. Spia di avvertenza di guasto del motore |
| 2. Pedale di retromarcia | 13. Presa di corrente 12 V |
| 3. Interruttore luci | 14. Serratura del cofano |
| 4. Valvola di bypass per innestare o disinnestare la trasmissione sull'assale anteriore. | 15. Valvola di bypass per innestare o disinnestare la trasmissione sull'asse posteriore. |
| 5. Leva dell'altezza di taglio | 16. Cintura di sicurezza |
| 6. Leva di sollevamento per il piatto di taglio | 17. Tappo del serbatoio del carburante |
| 7. Pulsante PTO (presa di forza), avvio e arresto del piatto di taglio | 18. Regolazione del sedile |
| 8. Comando dell'acceleratore | 19. Piastrina modello |
| 9. Interruttore On/Off della presa di corrente | 20. Contaore |
| 10. Blocco accensione | 21. Freno di stazionamento |
| 11. Spia di avvertenza di bassa pressione dell'olio | 22. Pulsante di bloccaggio per il freno di stazionamento |

Panoramica dell'impianto elettrico P 524



1. Batteria

2. Fusibile principale, 20 A

3. Relè

4. Interruttore di sicurezza del sedile

5. Interruttore luci

6. Fari anteriori

7. Contatore

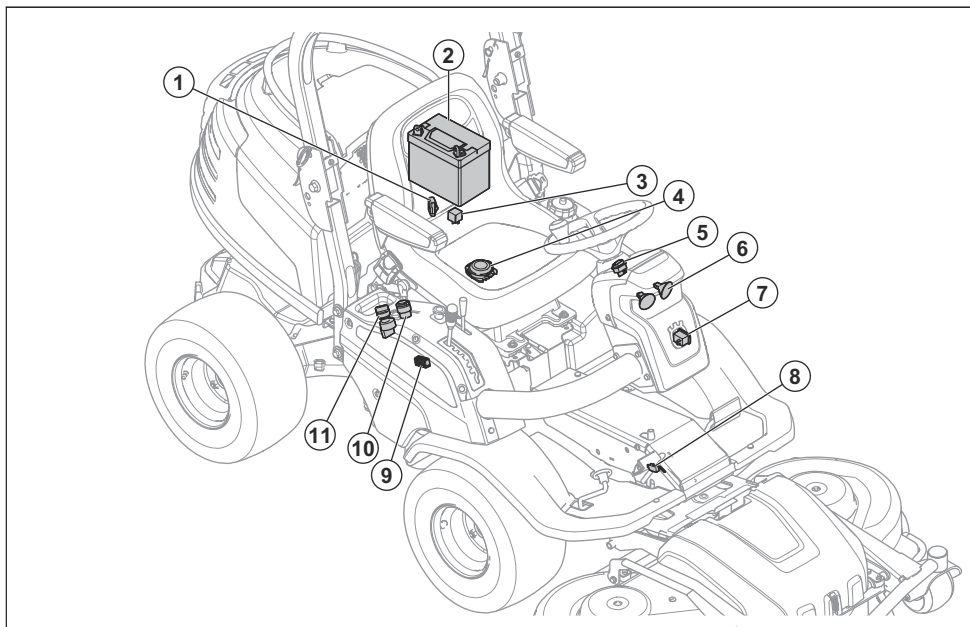
8. Microinterruttore per la trasmissione idrostatica

9. Portafusibili

10. Blocco accensione

11. Presa di corrente 12 V

Panoramica dell'impianto elettrico, P 524EFI



1. Fusibile principale, 20 A
2. Batteria
3. Relè
4. Interruttore di sicurezza del sedile
5. Interruttore luci
6. Fari anteriori
7. Contaore
8. Microinterruttore per la trasmissione idrostatica
9. Portafusibili
10. Blocco accensione
11. Presa di corrente 12 V

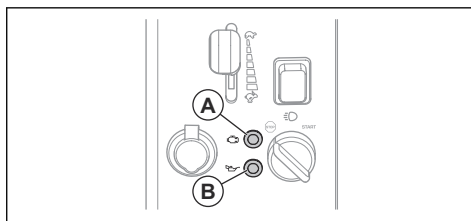
Spie di avvertenza sul pannello di comando, P 524EFI

Il motore sul modello P 524EFI è provvisto di sistema d'iniezione elettronico del carburante. 2 spie del pannello di controllo indicano se si verificano problemi al motore.



ATTENZIONE: Se una spia sul pannello di controllo si accende, arrestare il motore e fare riferimento a *Ricerca dei guasti alla pagina 140*.

- A: Guasto del motore
- B: Bassa pressione dell'olio



Contaore

Il contaore indica le ore di funzionamento del motore. Il tempo con l'accensione inserita ma con il motore spento non viene registrato. L'ultima cifra mostra i decimi di ora (6 minuti).

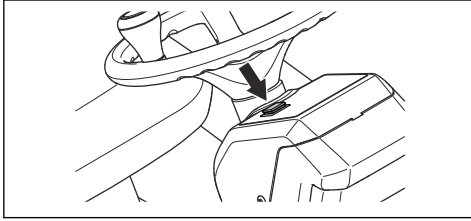
Presenza di corrente

La tensione della presa di corrente è pari a 12 V. La presa di corrente è protetta mediante fusibile, vedere *Per sostituire un fusibile alla pagina 127*.

Impostare la presa di corrente su On e Off con l'interruttore di accensione situato sul pannello di comando.

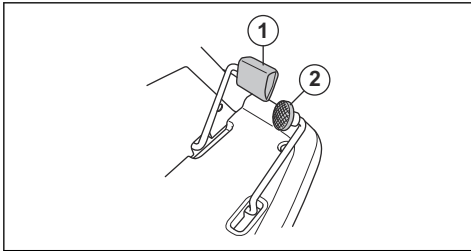
Fari anteriori

L'interruttore di corrente per i fari anteriori si trova sul pannello del volante.



Pedali di marcia avanti e retromarcia

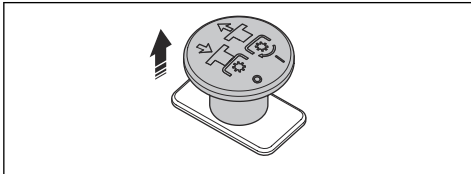
La velocità viene regolata continuamente con 2 pedali. Il pedale sinistro (1) viene utilizzato per spostarsi in avanti e il pedale destro (2) viene utilizzato per spostarsi all'indietro. Il prodotto frena quando i pedali vengono rilasciati.



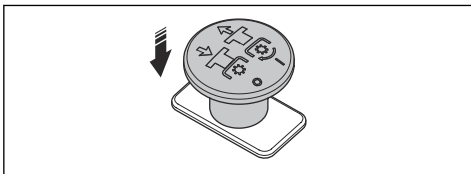
Pulsante PTO (presa di forza)

Il pulsante PTO avvia e arresta il piatto di taglio. L'operatore deve sedersi per avviare il piatto di taglio.

Tirare il pulsante PTO in fuori per innestare la trasmissione sulle lame del piatto di taglio.



Spingere il pulsante PTO per disinnestare la trasmissione sulle lame del piatto di taglio.

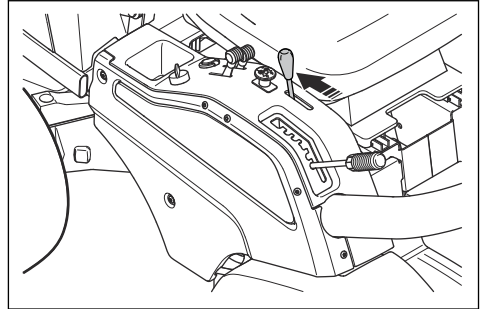


Vedere anche *Controllo del circuito di sicurezza alla pagina 110.*

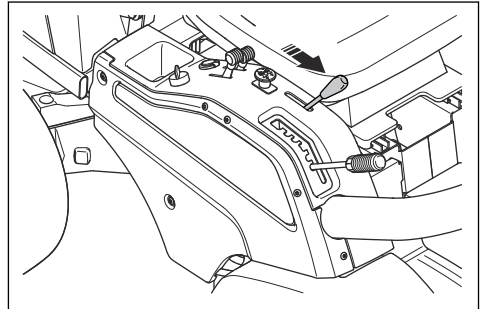
Leva di sollevamento per il piatto di taglio

La leva di sollevamento viene usata per sollevare ed abbassare il piatto di taglio. Il prodotto utilizza pressione idraulica per sollevare il piatto di taglio. Per azionare la leva di sollevamento, avviare il motore e premere in basso il pulsante PTO.

Quando si sposta la leva di sollevamento in posizione di trasporto, il piatto di taglio si solleva e le lame si arrestano in circa 5 secondi.



Quando si sposta la leva di sollevamento in posizione di falciatura, il piatto di taglio si abbassa e le lame iniziano a ruotare.



Piatto di taglio

I piatti di taglio per questo prodotto sono piatti di taglio Combi con BioClip. BioClip taglia l'erba trasformandola in concime. I piatti di taglio Combi possono essere utilizzati anche senza BioClip. Senza BioClip, l'erba è espulsa nella parte posteriore.

Simboli riportati sul prodotto



ATTENZIONE: L'uso improprio del mezzo può provocare gravi lesioni anche mortali all'operatore o alle persone circostanti.



Prima dell'uso, leggere attentamente il Manuale dell'operatore e accertarsi di aver compreso le istruzioni.



Lame rotanti. Tenere il corpo lontano dal coperchio quando il motore è acceso.



Avvertenza: parti rotanti. Tenere il corpo lontano.



Superficie calda.



Non toccare.



Tirare il fermo per rimuovere il coperchio del motore.



Non utilizzare mai il prodotto se persone, in particolar modo bambini, o animali si trovano nelle vicinanze.



Non tagliare l'erba in presenza di una pendenza. Non tagliare l'erba su superfici con pendenze superiori a 10°. Vedere *Taglio dell'erba in pendenza alla pagina 111*.



Non trasportare mai passeggeri sul prodotto o l'apparecchiatura.



Azionare il prodotto molto lentamente se non è agganciato alcun piatto di taglio.



Azionare il prodotto a velocità massima quando il piatto di taglio è agganciato.



Spostarsi in avanti.

N

Cambio in folle.



Spostarsi in retromarcia.



Il presente prodotto è conforme alle vigenti direttive CEE.



Emissioni di rumore nell'ambiente in base alla direttiva della Comunità Europea. Le emissioni del prodotto sono indicate nel capitolo Dati tecnici e sull'etichetta.



Usare quindi sempre cuffie protettive omologate.



Comando dell'aria (P 524).



Spegnere il motore.

START

Avviare il motore.



Spia di avvertenza di guasto del motore (P 524EF1).



Spia di avvertenza di bassa pressione dell'olio (P 524EF1).



Regime motore - alto.



Regime motore - basso.



Posizione di servizio per il piatto di taglio.



Posizione di funzionamento del piatto di taglio.



Altezza di taglio.



Posizione di servizio.



Le lame sono inserite.



Le lame sono disinserite.



Livello dell'olio.



Arrestare il motore e rimuovere la candela prima di effettuare interventi di riparazione o manutenzione.



Effettuare un controllo del livello dell'olio motore



Effettuare un controllo del livello dell'olio motore



Freno di stazionamento.



Premere il pulsante PTO.



Non utilizzare la cintura di sicurezza se la struttura ROPS è disinserita.



Utilizzare sempre la cintura di sicurezza quando la struttura ROPS è inserita.



Nota: I restanti simboli/decalcomanie sul prodotto riguardano particolari requisiti necessari per ottenere la certificazione in determinate aree commerciali.

Responsabilità del prodotto

Come indicato nelle leggi vigenti in materia di responsabilità obbligatoria sul prodotto, non siamo responsabili per eventuali danni causati dal nostro prodotto se:

- Il prodotto viene riparato in modo errato.
- Il prodotto viene riparato con parti che non provengono o non sono omologate dal produttore.
- Il prodotto contiene un accessorio che non proviene o non è omologato dal produttore.
- Il prodotto non viene riparato presso un centro di assistenza autorizzato o presso un'autorità competente.

Sicurezza

Definizioni di sicurezza

Le avvertenze, le precauzioni e le note sono utilizzate per evidenziare le parti importanti del manuale.



AVVERTENZA: Utilizzato se è presente un rischio di lesioni o morte dell'operatore o di passanti nel caso in cui le istruzioni del manuale non vengano rispettate.



ATTENZIONE: Utilizzato se è presente un rischio di danni al prodotto, ad altri materiali oppure alla zona adiacente nel caso in cui le istruzioni del manuale non vengano rispettate.

Nota: Utilizzato per fornire ulteriori informazioni necessarie in una determinata situazione.

Istruzioni di sicurezza generali



AVVERTENZA: Questo prodotto può tagliare mani e piedi e scagliare oggetti. Lesioni gravi o mortali possono verificarsi se non si rispettano le istruzioni di sicurezza.



AVVERTENZA: Non continuare a utilizzare un prodotto che presenti l'attrezzatura di taglio danneggiata. Un'attrezzatura di taglio danneggiata può scagliare oggetti e causare lesioni gravi o mortali. Sostituire immediatamente le lame danneggiate.



AVVERTENZA: Durante il funzionamento, questo prodotto genera un campo elettromagnetico. Tale campo può interferire, in alcuni casi, con persone portatrici di impianti medici attivi o passivi. Per ridurre il rischio di condizioni che possono implicare lesioni gravi o mortali, i portatori di tali impianti devono consultare il proprio medico e il produttore dell'impianto prima di utilizzare questo prodotto.



AVVERTENZA: Leggere le seguenti avvertenze prima di utilizzare il prodotto.

- Usare la massima cautela e il buon senso. Evitare tutte le situazioni che richiedono capacità superiori alle proprie. Se non si è sicuri delle procedure operative anche dopo aver letto il manuale

dell'operatore, rivolgersi a un esperto prima di continuare.

- Leggere con attenzione e comprendere il manuale dell'operatore e le istruzioni sul prodotto prima di avviarlo.
- Apprendere l'uso del prodotto e i comandi e imparare come arrestare il prodotto rapidamente.
- Apprendere a riconoscere le decalcomanie di sicurezza.
- Conservare il prodotto pulito in modo che sia possibile leggere chiaramente i simboli e gli adesivi.
- Tenere presente che l'operatore potrà essere ritenuto responsabile di eventuali incidenti che coinvolgano altre persone o i loro beni.
- Non trasportare passeggeri. Il prodotto deve essere utilizzato da una sola persona.

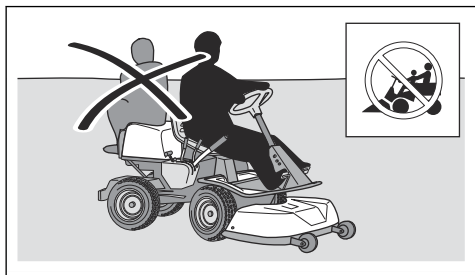
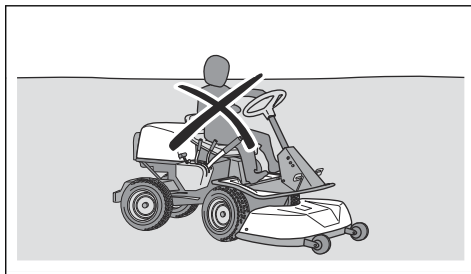
- Non consentire ai bambini, o ad altre persone non autorizzate all'utilizzo del prodotto, di utilizzarlo o eseguirne la manutenzione. Possono esistere leggi locali che stabiliscono l'età minima dell'operatore.
- Accertarsi che nessuno si trovi nelle vicinanze del prodotto quando si accende il motore, si innesta la trazione o si sposta il prodotto.
- Tenere d'occhio il traffico quando si taglia in prossimità di una strada o la si attraversa.
- Non utilizzare mai il prodotto in condizioni di stanchezza oppure sotto l'effetto di alcolici, stupefacenti o farmaci in grado di compromettere la vista, l'attenzione, la coordinazione o il giudizio.
- Parcheggiare sempre il prodotto su una superficie piana con il motore spento.

Istruzioni di sicurezza relative ai bambini

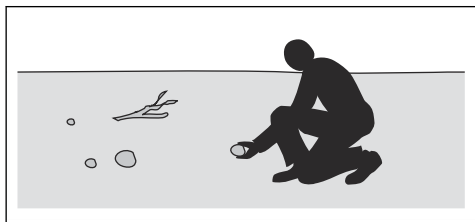


AVVERTENZA: Leggere le seguenti avvertenze prima di utilizzare il prodotto.

- In caso di mancata supervisione dei bambini nei pressi del prodotto, si potrebbero verificare gravi incidenti. I bambini possono essere attratti dal prodotto e dalla falciatura. È molto probabile che i bambini non rimangano fermi nel luogo in cui sono stati visti l'ultima volta.
- Tenere i bambini lontani dall'area da falciare. Accertarsi che sia presente un adulto che supervisioni i bambini.
- Restare vigili e spegnere il prodotto se i bambini accedono all'area di lavoro. Prestare estrema attenzione nei pressi di angoli, cespugli, alberi o altri oggetti che ostacolano la visuale.
- Prima e durante lo spostamento del prodotto in retromarcia, guardare all'indietro e verso il basso per assicurarsi che non ci siano bambini piccoli nelle vicinanze del prodotto.
- Non lasciar salire i bambini sul prodotto. Potrebbero cadere e ferirsi gravemente o impedire di manovrare in sicurezza il prodotto.
- Non lasciare che i bambini utilizzino il prodotto.



- Non lasciare il prodotto incustodito con il motore acceso. Fermare sempre le lame, applicare il freno di stazionamento, spegnere il motore e rimuovere la chiave di accensione prima di lasciare incustodito il prodotto.
- Utilizzare il prodotto solo alla luce solare o in altre condizioni di sufficiente illuminazione. Tenere il prodotto a distanza di sicurezza da buche o altre irregolarità nel suolo. Prestare attenzione ad altri possibili rischi.
- Non utilizzare mai il prodotto in condizioni meteorologiche sfavorevoli, ad esempio nebbia, pioggia, umidità o luoghi molto umidi, vento forte, freddo intenso, rischio di fulmini ecc.
- Trovare e marcare eventuali pietre e altri oggetti fissi per evitarli durante il taglio.
- Liberare l'area da oggetti come pietre, giocattoli, fili, ecc. che possono rimanere incastrati nelle lame ed essere scagliati in aria.



Istruzioni di sicurezza per l'utilizzo



AVVERTENZA: Non toccare il motore o il sistema di scarico durante o subito dopo l'utilizzo. Il motore e il sistema di scarico diventano molto caldi durante l'uso. Rischio di ustioni, incendi e danni alla proprietà o alle zone adiacenti. Mentre si utilizza il prodotto, tenersi lontani da cespugli e altri oggetti.



AVVERTENZA: Leggere le seguenti avvertenze prima di utilizzare il prodotto.

- Guardare sempre in basso e indietro prima e durante lo spostamento in retromarcia. Evitare ostacoli grandi e piccoli.
- Ridurre la velocità prima di svoltare ad angolo.
- Arrestare le lame prima di spostarsi attraverso aree che non richiedono la falciatura.



ATTENZIONE: Leggere le seguenti istruzioni prima di utilizzare il prodotto.

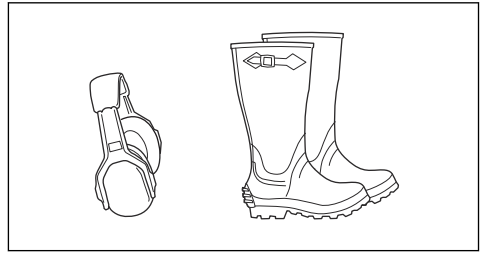
- Prima di utilizzare il prodotto, pulire la presa d'aria fredda del motore eliminando erba e sporco. Se la presa d'aria fredda viene bloccata, esiste il rischio di danni al motore.
- Spostare con attenzione pietre e altri oggetti più grandi e accertarsi che le lame non colpiscano gli oggetti.
- Non utilizzare il prodotto sugli oggetti. Fermarsi ed esaminare il prodotto e il piatto di taglio se si falcia o si urta un oggetto. Se necessario, effettuare riparazioni prima di riavviare il prodotto.

Abbigliamento protettivo personale



AVVERTENZA: Leggere le seguenti avvertenze prima di utilizzare il prodotto.

- Usare sempre abbigliamento protettivo personale omologato quando si utilizza il prodotto. L'uso di abbigliamento protettivo personale non elimina il rischio di lesioni, ma ne riduce la gravità in caso di incidente. Farsi consigliare dal rivenditore per la scelta dell'attrezzatura adatta.
- Usare sempre cuffie protettive omologate. Una lunga esposizione al rumore può comportare lesioni permanenti all'udito.
- Indossare sempre scarpe o stivali protettivi. Si raccomanda l'uso di punte in acciaio. Non utilizzare il prodotto a piedi nudi.



- Indossare i guanti quando è necessario, per esempio durante il collegamento, l'ispezione o la pulizia dell'attrezzatura di taglio.
- Non indossare abbigliamento non aderente, gioielli o altri oggetti che potrebbero impigliarsi nelle parti in movimento.
- Tenere a portata di mano il kit di primo soccorso o un estintore.

Dispositivi di sicurezza sul prodotto



AVVERTENZA: Leggere le seguenti avvertenze prima di utilizzare il prodotto.

- Non utilizzare un prodotto con dispositivi di sicurezza difettosi. Effettuare un controllo dei dispositivi di sicurezza con regolarità. Se i dispositivi di sicurezza sono difettosi, rivolgersi alla propria officina Husqvarna.
- Non apportare modifiche ai dispositivi di sicurezza. Non utilizzare il prodotto se le piastre di protezione, le coperture, gli interruttori di sicurezza o altri dispositivi di protezione non sono collegati o sono difettosi.

Struttura di protezione antiribaltamento (ROPS)

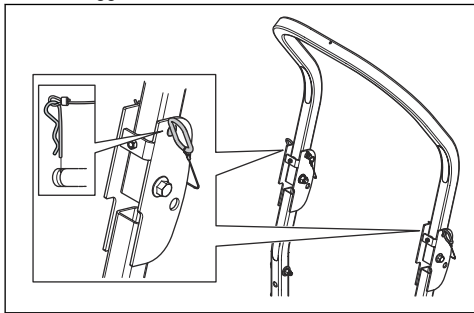
La struttura ROPS è un telaio protettivo che riduce il rischio di lesioni in caso di ribaltamento del prodotto. Utilizzare la struttura ROPS e la cintura di sicurezza quando si utilizza il prodotto su terreni in pendenza.

Cintura di sicurezza

La cintura di sicurezza evita danni qualora si verifichi un incidente o il ribaltamento del prodotto. Utilizzare la cintura di sicurezza solo quando la struttura ROPS è inserita. Accertarsi che la cintura del sedile sia collegata correttamente e che non sia danneggiata.

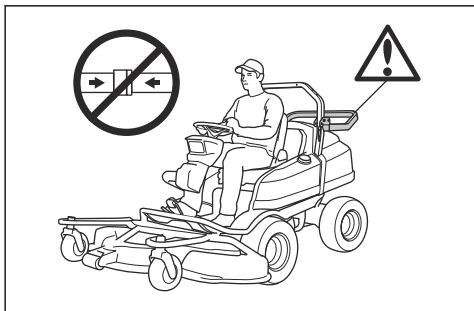
Per inserire e disinserire la struttura di protezione antiribaltamento (ROPS)

- Rimuovere i 2 perni di fissaggio della struttura ROPS e ripiegarla all'indietro per disinserire il sistema. Installare la struttura ROPS nell'ordine inverso allo smontaggio.

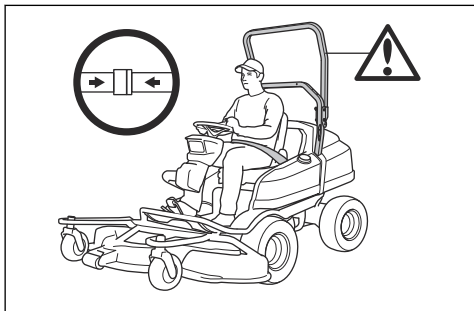


AVVERTENZA: Rispettare le seguenti istruzioni per la struttura ROPS e la cintura di sicurezza.

- Non utilizzare la cintura di sicurezza se la struttura ROPS è disinserita.



- Utilizzare sempre la cintura di sicurezza quando la struttura ROPS è inserita.



- Controllare che la struttura ROPS sia fissata correttamente e che non sia danneggiata.

Per effettuare un controllo del blocco accensione

- Avviare e arrestare il motore per effettuare un controllo del blocco di accensione. Vedere *Avviamento del motore, P 524 alla pagina 116* e *Arresto del motore alla pagina 119*.
- Assicurarsi che il motore si avvii quando si posiziona la chiave su START.
- Assicurarsi che il motore si arresti quando si posiziona la chiave su STOP.

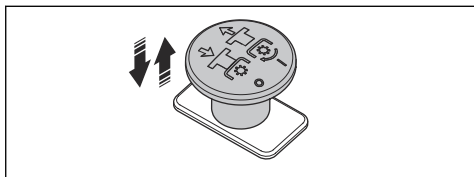
Controllo del circuito di sicurezza

Il circuito di sicurezza assicura l'avvio del motore solo in determinate condizioni. La trasmissione sulle lame deve essere disinserita e il freno di stazionamento deve essere inserito.

Il circuito di sicurezza blocca le lame se l'operatore non rimane seduto quando il piatto di taglio viene abbassato.

- Effettuare il controllo del circuito di sicurezza quotidianamente.
- Provare ad avviare il motore quando una delle condizioni sopra indicate non è rispettata. Cambiare condizione e riprovare. Se il circuito di sicurezza funziona, il motore non si avvia.
- Inserire la trasmissione sulle lame e sollevarsi dal sedile. Se il circuito di sicurezza funziona, le lame nel piatto di taglio si arrestano.

Nota: Se il circuito di sicurezza arresta le lame, spingere il pulsante PTO e tirarlo di nuovo per azionare le lame.



Per effettuare un controllo del limitatore di velocità

- Rilasciare il pedale di avanzamento per frenare.
- Per una maggiore potenza di frenata, premere il pedale di retromarcia.
- Assicurarsi che i pedali di marcia avanti e retromarcia non siano bloccati e che possano essere azionati liberamente.
- Assicurarsi che il prodotto freni quando viene rilasciato il pedale di avanzamento.

Freno di stazionamento



AVVERTENZA: Se il freno di stazionamento non funziona, il prodotto può iniziare a muoversi e causare lesioni o danni. Assicurarsi che il freno di stazionamento venga controllato e regolato periodicamente.

Vedere *Per effettuare un controllo del freno di stazionamento alla pagina 125.*

Marmitta

La marmitta assicura il minimo livello acustico e allontana i fumi di scarico dall'operatore.

Non utilizzare il prodotto se la marmitta è mancante o difettosa. Una marmitta difettosa aumenta il livello acustico e il rischio di incendio.

Esaminare la marmitta periodicamente per assicurarsi che sia collegata correttamente e che non sia danneggiata.



ATTENZIONE: La marmitta si surriscalda durante e dopo l'uso e quando il motore funziona al regime minimo. Prestare attenzione in prossimità di materiali infiammabili e/o fumi per evitare incendi.

Coperture protettive

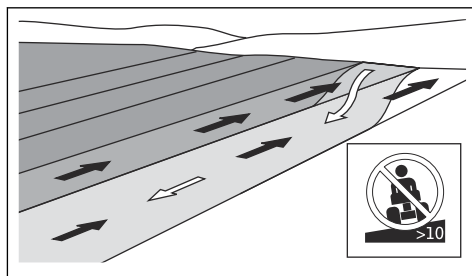
Coperture protettive mancanti o danneggiate aumentano il rischio di lesioni sulle parti in movimento e sulle superfici calde. Controllare le condizioni delle coperture protettive prima di utilizzare il prodotto. Assicurarsi che le coperture protettive siano collegate correttamente e non presentino crepe o altri danni. Sostituire le coperture danneggiate.

Taglio dell'erba in pendenza

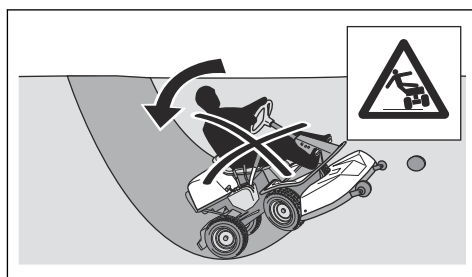


AVVERTENZA: Leggere le seguenti avvertenze prima di utilizzare il prodotto.

- La falciatura dell'erba su terreni in pendenza aumenta il rischio di perdita di controllo e di ribaltamento del prodotto. Ciò può causare lesioni anche mortali. È necessario falciare l'erba con cautela su qualsiasi terreno in pendenza. Se non è possibile effettuare la retromarcia su un terreno in pendenza o se ci si sente insicuri, non effettuare la falciatura.
- Rimuovere pietre, rami o altri ostacoli.
- Eseguire il taglio guidando parallelamente alla direzione di inclinazione del piano, non lateralmente.
- Non spostarsi su un pendio con il piatto di taglio sollevato.
- Non utilizzare il prodotto su terreni con pendenze superiori a 10°.



- Non avviare o arrestare il prodotto su terreni in pendenza.
- Spostarsi gradualmente e lentamente su terreni in pendenza.
- Non effettuare bruschi cambiamenti di velocità o di direzione di marcia.
- Non effettuare più svolte del necessario. Girare lentamente e gradualmente quando ci si sposta su un pendio. Viaggiare a bassa velocità. Girare la ruota con cautela.
- Evitare di attraversare solchi, buche e dossi. Vi è un rischio più elevato che il prodotto si ribalti su un terreno non piano. L'erba alta può nascondere eventuali ostacoli.
- Non tagliare in prossimità di bordi, fossi o argini. Il prodotto può ribaltarsi improvvisamente se una ruota si muove oltre il bordo di una pendenza ripida o un fosso, o se un bordo cede. Se il prodotto cade in acqua sussiste il rischio di annegare.



- Non tagliare l'erba bagnata. È scivolosa e gli pneumatici possono perdere aderenza facendo slittare il prodotto.
- Non appoggiare il piede a terra per tentare di rendere il prodotto più stabile.
- Spostarsi con molta attenzione nel caso in cui un accessorio o un qualsiasi altro oggetto si sia impigliato, rendendo il prodotto meno stabile.
- Per aumentare la stabilità, fissare dei contrappesi. Rivolgersi al rivenditore per maggiori informazioni.

Sicurezza durante l'uso del carburante



AVVERTENZA: Prestare attenzione al carburante. Il carburante è estremamente

infiammabile e può provocare lesioni e danni.



AVVERTENZA: Leggere le seguenti avvertenze prima di utilizzare il prodotto.

- Non riempire il serbatoio del carburante in ambienti chiusi.
- La benzina e i vapori della benzina sono tossici e molto infiammabili. Prestare la massima attenzione alla benzina per evitare lesioni o incendi.
- Non rimuovere il tappo del carburante, né rabboccare il serbatoio del carburante a motore acceso.
- Lasciare che il motore si raffreddi prima di effettuare il rifornimento.
- Non fumare durante il rifornimento del carburante.
- Non effettuare il rifornimento vicino a scintille o fiamme libere.
- In caso di perdite del sistema di alimentazione, non avviare il motore fino a quando le perdite non sono state riparate.
- Non effettuare il rifornimento oltre il livello raccomandato. Il calore del motore e del sole fa espandere il carburante, il quale fuoriesce se il serbatoio si è riempito troppo.
- Non riempire il serbatoio in eccesso. Se si versa del carburante sul prodotto, asciugare con un panno e attendere che sia evaporato prima di avviare il motore. Se lo si versa sugli indumenti, cambiarli.
- Conservare il carburante solo in contenitori omologati.
- Riporre il prodotto e il carburante in modo che non vi sia alcun rischio che eventuali perdite di carburante o fumi possono causare danni.
- Versare il carburante in un contenitore adatto, all'aperto e lontano da fiamme libere.

Sicurezza batterie



AVVERTENZA: Una batteria danneggiata può esplodere e causare lesioni. Se la batteria presenta una deformazione o è danneggiata, rivolgersi a un'officina autorizzata Husqvarna.



AVVERTENZA: Leggere le seguenti avvertenze prima di utilizzare il prodotto.

- Utilizzare occhiali protettivi quando si è in prossimità delle batterie.
- Non indossare orologi, gioielli o altri oggetti metallici nelle vicinanze della batteria.
- Tenere la batteria fuori dalla portata dei bambini.
- Caricare la batteria in un luogo con buon ricambio d'aria.

- Tenere i materiali infiammabili a una distanza minima di 1 m quando si carica la batteria.
- Smaltire le batterie sostituite. Vedere *Smaltimento alla pagina 143*.
- Gas esplosivi possono fuoriuscire dalla batteria. Non fumare in prossimità della batteria. Tenere la batteria lontano da fiamme libere e scintille.

Istruzioni di sicurezza per la manutenzione



AVVERTENZA: Il prodotto ha un peso elevato e può causare lesioni o danni alle cose o alla zona adiacente. Non eseguire la manutenzione del motore o del piatto di taglio senza che queste condizioni vengano soddisfatte:

- Il motore è spento.
- Il prodotto è parcheggiato su una superficie piana.
- Il freno di stazionamento è azionato.
- La chiave di accensione è stata rimossa.
- Il piatto di taglio è disinserito.
- I cavi di accensione sono stati rimossi dalle candele.



AVVERTENZA: I fumi di scarico del motore contengono monossido di carbonio, un gas inodore, velenoso e altamente pericoloso. Non utilizzare il prodotto in spazi chiusi o senza un flusso d'aria sufficiente.



AVVERTENZA: Leggere le seguenti avvertenze prima di utilizzare il prodotto.

- Per garantire le migliori prestazioni e la sicurezza, effettuare la manutenzione del prodotto a intervalli regolari come indicato nel programma di manutenzione. Vedere *Programma di manutenzione alla pagina 120*.
- Le scosse elettriche possono causare lesioni. Non toccare i cavi quando il motore è acceso. Non effettuare una prova di funzionamento dell'impianto di accensione con le dita.
- Non avviare il motore se i coperchi protettivi sono stati rimossi. Vi è un alto rischio di lesioni provocate da parti calde o in movimento.
- Attendere che il prodotto si raffreddi prima di eseguire la manutenzione vicino al motore.
- Le lame sono affilate e possono causare tagli. Posizionare paraventi attorno alle lame o usare guanti protettivi quando si lavora su di esse.
- Mettere sempre il piatto di taglio in posizione di manutenzione per pulirlo. Non parcheggiare il prodotto vicino al bordo di un fosso o in pendenza per accedere al piatto di taglio.



ATTENZIONE: Leggere le seguenti istruzioni prima di utilizzare il prodotto.

- Non ribaltare il motore se la candela o il cavo di accensione è stato rimosso.
- Assicurarsi che tutti i dadi e i bulloni siano serrati correttamente e che l'attrezzatura sia in buone condizioni.

- Non modificare la regolazione dei limitatori. Se il regime del motore è troppo alto, i componenti del prodotto possono danneggiarsi. Vedere *Dati tecnici alla pagina 145* per informazioni sul regime motore massimo consentito.
- Il prodotto è testato e approvato solo con l'attrezzatura in dotazione o raccomandata dal produttore.

Montaggio

Introduzione

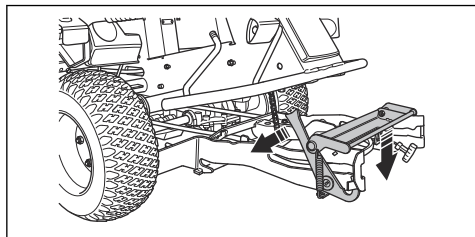


AVVERTENZA: La molla di tensionamento della cinghia della trasmissione può rompersi e causare lesioni. Indossare occhiali protettivi quando si collega o rimuove il piatto di taglio.

Leggere attentamente le istruzioni di montaggio del manuale d'uso. Un'etichetta sul lato interno della copertura anteriore del prodotto mostra inoltre come collegare e rimuovere il piatto di taglio.

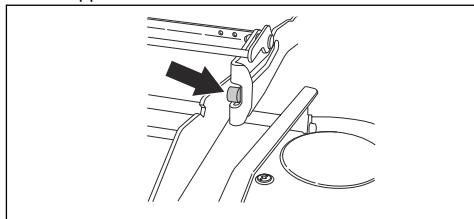
Fissaggio del piatto di taglio

1. Parcheggiare il prodotto su un terreno piano.
2. Azionare il freno di stazionamento.
3. Portare la leva dell'altezza di taglio nella posizione di servizio.
4. Spingere in basso il telaio dell'attrezzatura. Sollevare il blocco del telaio dell'attrezzatura in posizione verticale.

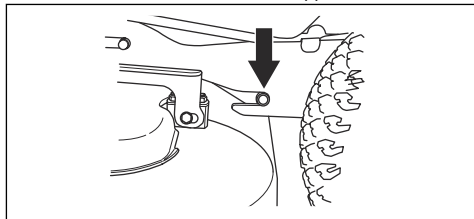


AVVERTENZA: Il meccanismo di blocco può provocare lesioni alle dita se non lo si utilizza con cautela. Afferrare il bordo anteriore del piatto di taglio con le due mani quando si passa alla fase successiva.

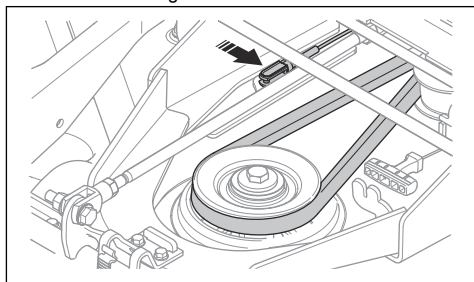
5. Spingere il piatto di taglio all'interno del telaio dell'apparecchiatura. Assicurarsi che le prese della guida anteriore siano inserite nelle scanalature sul telaio dell'apparecchiatura. Il blocco del telaio dell'apparecchiatura si sblocca automaticamente.



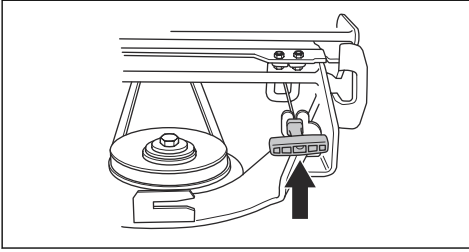
6. Spingere all'interno il piatto di taglio fino a quando le prese della guida posteriore non toccano il fondo delle scanalature sul telaio dell'apparecchiatura.



7. Inserire la cinghia di trasmissione intorno alla ruota di trascinamento per il piatto di taglio e fissare il cavo dell'altezza di taglio.



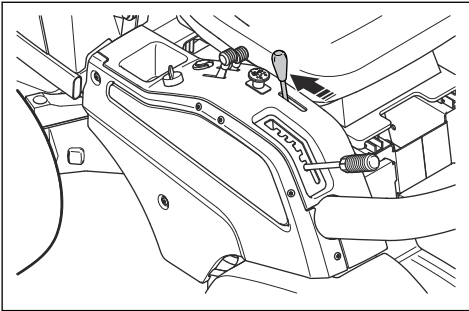
8. Posizionare la leva a molla nell'alloggiamento.



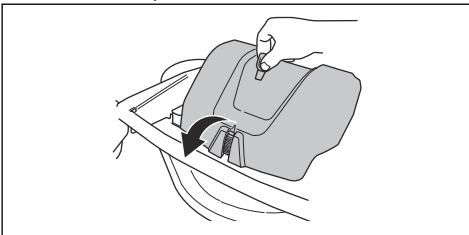
9. Collegare il coperchio anteriore.

Rimozione del piatto di taglio

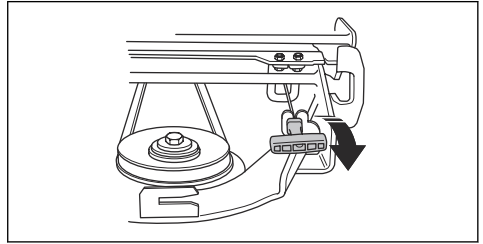
1. Parcheggiare il prodotto su un terreno piano.
2. Azionare il freno di stazionamento.
3. Portare la leva dell'altezza di taglio nella posizione di servizio.
4. Tirare all'indietro la leva di sollevamento del piatto di taglio fino alla posizione di blocco per sollevare il piatto di taglio.



5. Rilasciare il fermo sul coperchio anteriore con l'utensile fissato sulla chiave di accensione e rimuovere il coperchio.

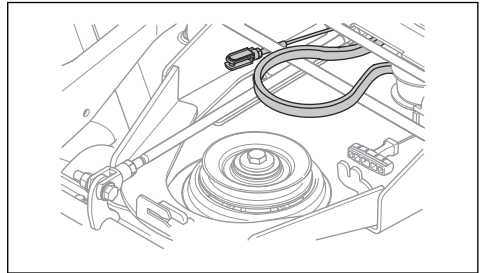


6. Tirare la leva a molla per estrarla dalla sede e allentare la tensione della cinghia di trasmissione.

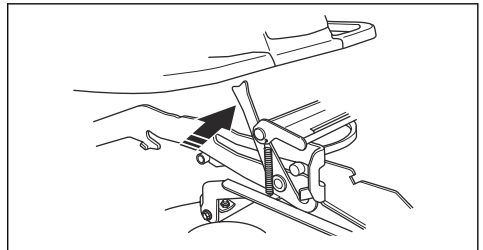


7. Scollegare il cavo dell'altezza di taglio.

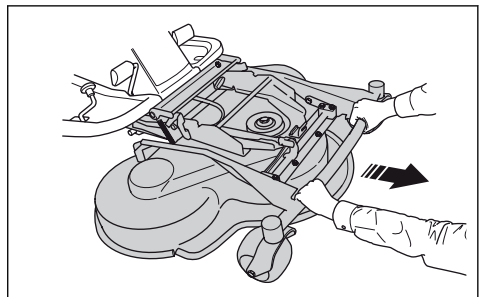
8. Rimuovere la cinghia di trasmissione e inserirla nel rispettivo supporto.



9. Aprire il bloccaggio del telaio dell'apparecchiatura.



10. Afferrare il bordo anteriore del piatto di taglio con entrambe le mani e tirare estraendolo.



Introduzione



AVVERTENZA: Prima di utilizzare il prodotto, è necessario leggere e comprendere il capitolo relativo alla sicurezza.

Per il rifornimento del carburante



AVVERTENZA: La benzina è altamente infiammabile. Prestare la massima attenzione ed effettuare il rifornimento all'esterno (vedere *Sicurezza durante l'uso del carburante alla pagina 111*).



AVVERTENZA: Non utilizzare il serbatoio del carburante, come superficie di appoggio.

Il motore funziona con benzina senza piombo con un numero di ottano minimo di 95 (non mescolata con olio). Si consiglia l'uso di benzina alchilata biodegradabile (max. metanolo 5 %, etanolo max 10 %, max. MTBE 15%).

Effettuare un controllo del livello di carburante prima di ogni uso e rifornire se necessario.

È possibile vedere chiaramente il livello del carburante nel serbatoio del carburante. Non riempire il serbatoio in eccesso. Mantenere una distanza minima di 2,5 cm.

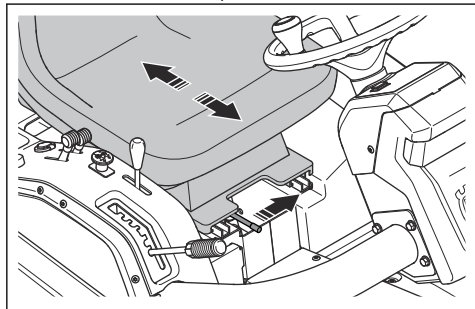
Per regolare il sedile



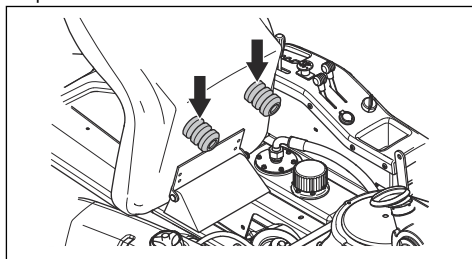
AVVERTENZA: Non regolare il sedile durante il funzionamento del prodotto.

Il sedile può essere inclinato in avanti. Inoltre, può essere regolato in avanti o indietro.

- Per regolare il sedile in avanti e indietro, spingere a sinistra la leva sotto il bordo anteriore del sedile. Ruotare il sedile nella posizione desiderata.



- Per regolare le molle del sedile, spostare i fermi in gomma sotto il sedile come indicato nell'illustrazione. Mettere i 2 fermi nella parte anteriore, centrale o posteriore.



Per rilasciare e applicare la pressione idraulica

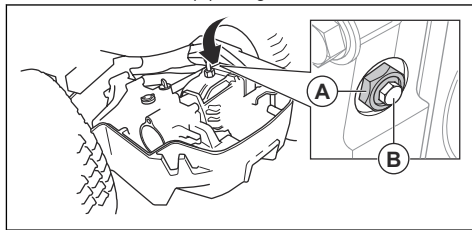
Per spostare il prodotto con il motore spento, è necessario rilasciare la pressione idraulica. La pressione idraulica viene rilasciata e applicata con una valvola di bypass.



ATTENZIONE: Chiudere le 2 valvole di bypass prima di azionare il prodotto. Se sono aperte, la trasmissione può danneggiarsi.

Asse posteriore

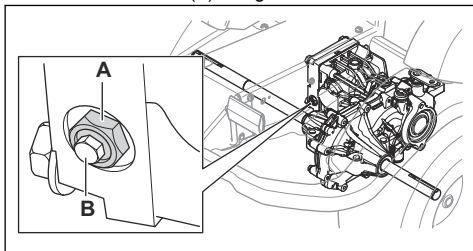
- Per rilasciare la pressione idraulica, aprire il dado di bloccaggio (A) di $\frac{1}{4}$ - $\frac{1}{2}$ giro in senso antiorario e poi il dado della valvola (B) di 2 giri in senso antiorario.



- Per applicare la pressione idraulica, chiudere completamente il dado della valvola (B), quindi serrare il dado di bloccaggio (A).

Asse anteriore

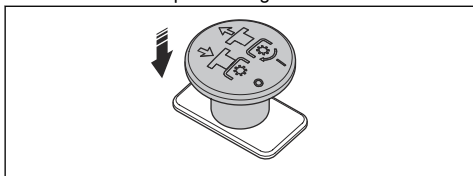
- Per rilasciare la pressione idraulica, aprire il dado di bloccaggio (A) di $\frac{1}{4}$ - $\frac{1}{2}$ giro in senso antiorario e poi il dado della valvola (B) di 2 giri in senso antiorario.



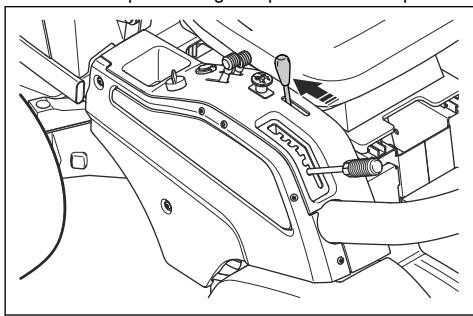
- Per applicare la pressione idraulica, chiudere completamente il dado della valvola (B), quindi serrare il dado di bloccaggio (A).

Per sollevare il piatto di taglio

1. Spingere il pulsante PTO in modo da disinnestare la trasmissione sul piatto di taglio.



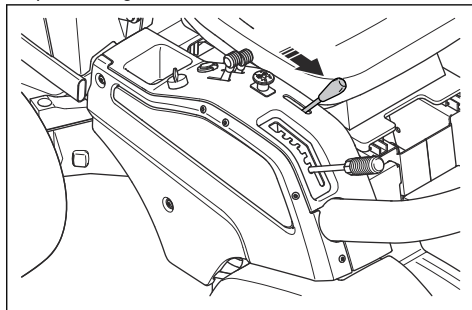
2. Tirare all'indietro la leva di sollevamento per sollevare il piatto di taglio in posizione di trasporto.



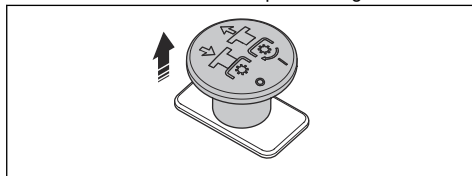
Nota: È possibile sollevare il piatto di taglio a poca distanza con la trasmissione sulle lame inserite. Utilizzare questa funzione per erba molto lunga o superfici irregolari.

Abbassare il piatto di taglio fino alla posizione di funzionamento

1. Spostare la leva di sollevamento per abbassare il piatto di taglio.

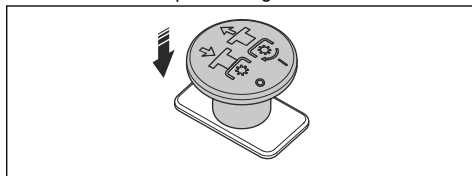


2. Tirare il pulsante PTO in fuori per innestare la trasmissione sulle lame del piatto di taglio.

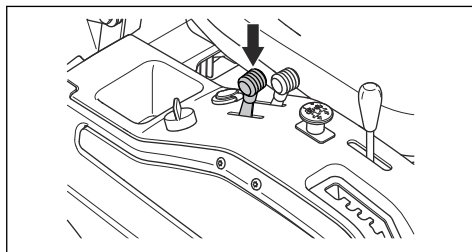


Avviamento del motore, P 524

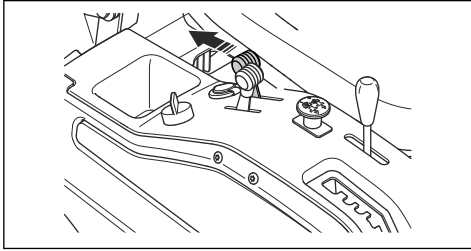
1. Accertarsi che le valvole di bypass siano chiuse. Vedere *Per rilasciare e applicare la pressione idraulica alla pagina 115*.
2. Azionare il freno di stazionamento.
3. Premere il pulsante PTO per disinserire la trasmissione sul piatto di taglio.



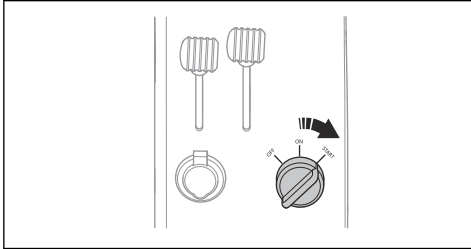
4. Portare il comando dell'acceleratore in posizione centrale.



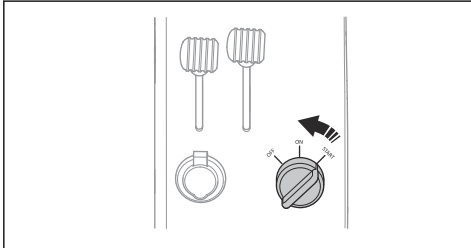
5. Se il motore è freddo, spostare il comando della valvola dell'aria completamente all'indietro.



6. Girare la chiave d'accensione nella posizione di avviamento.

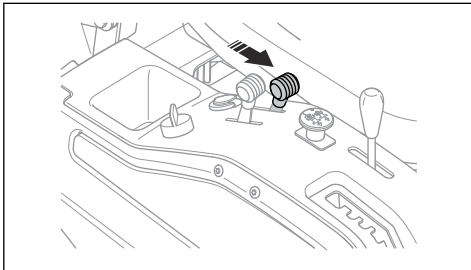


7. All'avviamento del motore, rilasciare immediatamente la chiave e riportarla in posizione folle.

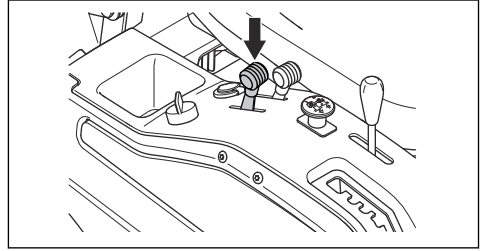


ATTENZIONE: Non far girare il motorino di avviamento per più di 5 secondi ogni volta. Se il motore non si avvia, attendere 15 secondi prima di riprovare.

8. Spingere il comando della valvola dell'aria gradualmente in avanti nella posizione finale.



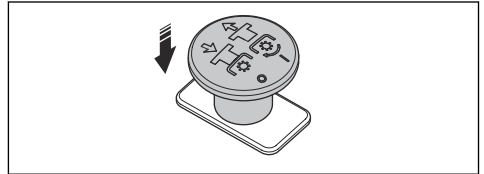
9. Far girare il motore a regime intermedio per 3-5 minuti prima di applicare carichi pesanti.
10. Premere il comando dell'acceleratore al massimo.



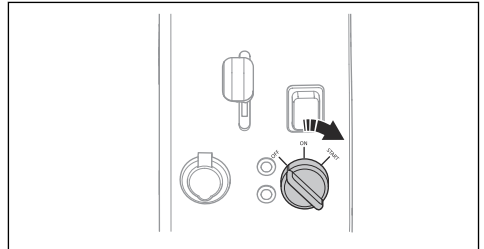
ATTENZIONE: L'innesto delle lame quando il motore è a velocità massima provoca uno sforzo sulle cinghie di trasmissione. Non accelerare al massimo fino a quando il piatto di taglio non viene abbassato in posizione di falciatura.

Avviamento del motore, P 524EFI

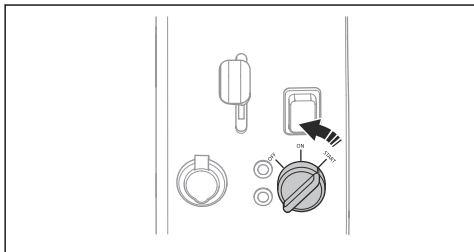
1. Accertarsi che le valvole di bypass siano chiuse. Vedere *Per rilasciare e applicare la pressione idraulica alla pagina 115.*
2. Azionare il freno di stazionamento.
3. Premere il pulsante PTO per disinserire la trasmissione sul piatto di taglio.



4. Girare la chiave d'accensione nella posizione di avviamento.



5. All'avviamento del motore, rilasciare immediatamente la chiave e riportarla in posizione folle.



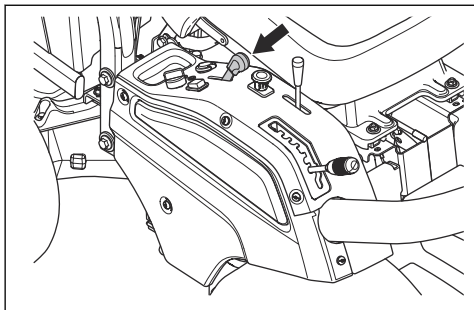
ATTENZIONE: Non far girare il motorino di avviamento per più di 5 secondi ogni volta. Se il motore non si avvia, attendere 15 secondi prima di riprovare.

6. Far girare il motore a regime intermedio per 3-5 minuti prima di applicare carichi pesanti.



ATTENZIONE: Se la spia di avvertenza della pressione dell'olio si accende, arrestare immediatamente il motore e fare riferimento alla *Ricerca dei guasti alla pagina 140*.

7. Premere il comando dell'acceleratore al massimo.



ATTENZIONE: L'innesto delle lame quando il motore è a velocità massima provoca uno sforzo sulle cinghie di trasmissione. Non accelerare al massimo fino a quando il piatto di taglio non viene abbassato in posizione di falciatura.

Per avviare e azionare il prodotto a basse temperature

- Se il motore si avvia con difficoltà durante la stagione fredda, ruotare la chiave di accensione più volte fino a quando il motore non si avvia. Per P 524, accertarsi che il comando della valvola dell'aria venga spostato completamente indietro.

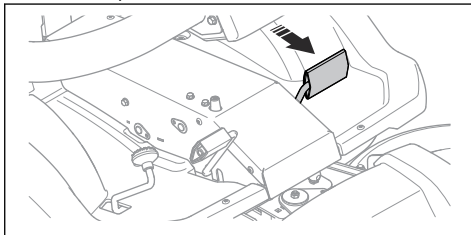
- A temperature inferiori a 0 °C, lasciare che il prodotto si scaldi prima di applicare un carico pesante. Azionare il prodotto ma non innestare l'attrezzatura per minimo 10 minuti.



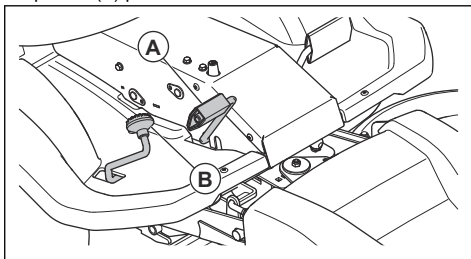
ATTENZIONE: Se il prodotto non è caldo quando si inizia ad azionarlo, la trasmissione può danneggiarsi.

Per utilizzare il prodotto

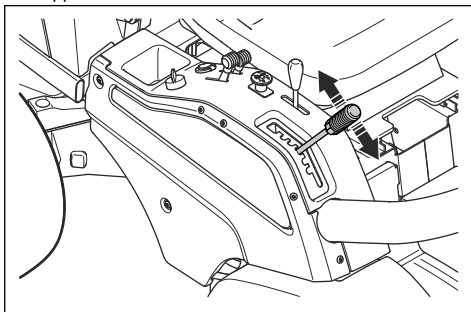
1. Avviare il motore.
2. Premere il pedale del freno di stazionamento, quindi rilasciarlo per disinserire il freno di stazionamento.



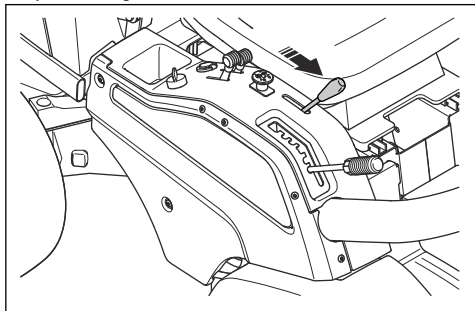
3. Premere delicatamente uno dei pedali di marcia. La velocità aumenta quanto più a fondo viene premuto il pedale. Usare il pedale (A) per la marcia avanti e il pedale (B) per la retromarcia.



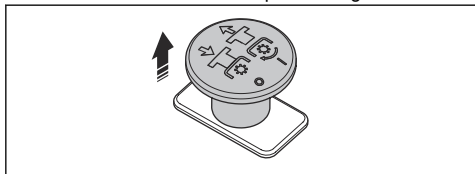
4. Rilasciare il pedale del freno. Per frenare più duramente, premere verso il basso l'altro pedale di marcia.
5. Selezionare l'altezza di taglio (1-6) utilizzando l'apposita leva.



6. Spostare la leva di sollevamento per abbassare il piatto di taglio.

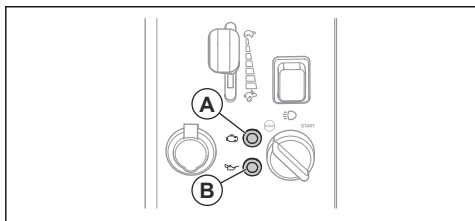


7. Tirare il pulsante PTO in fuori per innestare la trasmissione sulle lame del piatto di taglio.



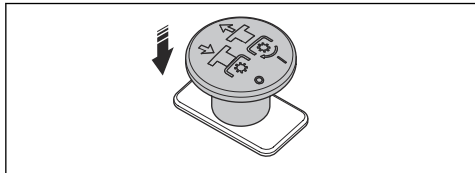
Modalità di potenza ridotta, P 524EFI

Se il motore non funziona correttamente, il regime motore cala automaticamente al regime minimo e la spia di avvertenza di guasto del motore (A) si accende. Vedere *Ricerca dei guasti alla pagina 140* per le possibili cause del guasto.



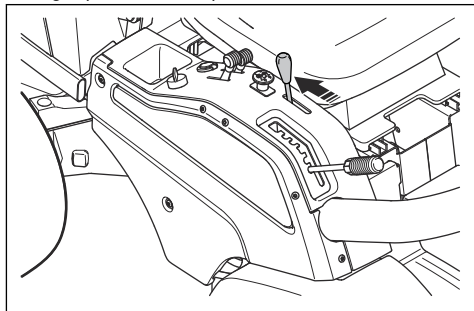
Arresto del motore

1. Rilasciare i pedali di marcia.
2. Spingere il pulsante PTO per disinnestare la trasmissione sulle lame del piatto di taglio.



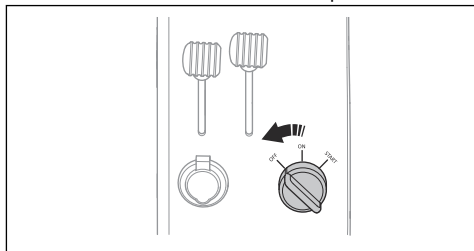
3. Far girare il motore al regime minimo per 1 minuto per ridurre la temperatura del motore.

4. Tirare all'indietro la leva di sollevamento del piatto di taglio per sollevare il piatto stesso.



5. Portare il comando dell'acceleratore in avanti nella posizione "MIN.".

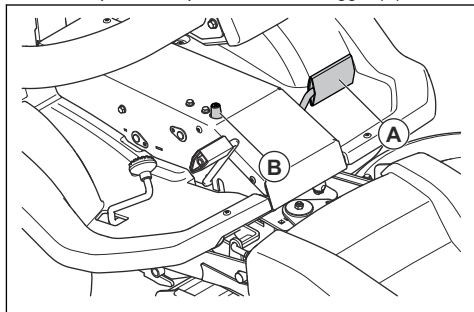
6. Girare la chiave d'accensione nella posizione STOP.



7. Quando il prodotto si arresta, applicare il freno di stazionamento.

Per innestare e disinnestare il freno di stazionamento

1. Premere il pedale del freno di stazionamento (A).
2. Tenere premuto il pulsante di bloccaggio (B).



3. Tenere premuto il pulsante e rilasciare il pedale del freno di stazionamento.
4. Per rilasciare il freno di stazionamento, premere nuovamente il pedale corrispondente.

Per ottenere un buon risultato di taglio

- Non tagliare il prato bagnato. L'erba bagnata può dare un cattivo risultato di taglio.
- Iniziare con un'altezza di taglio elevata e ridurla gradualmente.
- Tagliare con lame che ruotano ad alta velocità (per il regime del motore massimo consentito, vedere *Dati*

tecniche alla pagina 145). Spostare in avanti il prodotto a bassa velocità. Se l'erba non è troppo alta e fitta, è possibile ottenere un buon risultato di taglio anche a una velocità maggiore.

- Per ottenere i migliori risultati di taglio, tagliare l'erba regolarmente e utilizzare la funzione BioClip.

Manutenzione

Introduzione



AVVERTENZA: Prima di eseguire qualsiasi lavoro di manutenzione, è necessario leggere e capire il capitolo relativo alla sicurezza.

X = le istruzioni sono riportate in questo manuale dell'operatore.

O = le istruzioni non sono riportate in questo manuale dell'operatore. Affidare la manutenzione a un'officina autorizzata.

Nota: Se nella tabella è indicato più di un intervallo, l'intervallo più breve è da intendere solo per la prima manutenzione.

Programma di manutenzione

* = manutenzione generale effettuata dall'operatore. Le istruzioni non sono riportate in questo manuale dell'operatore.

Manutenzione	Ogni giorno, prima dell'azionamento (intervalli di 10 ore)	Dopo le prime 25 ore	Una volta alla settimana (intervalli di 40 ore)	Intervallo di manutenzione in ore		
				100	200	400
Assicurarsi che i dadi e le viti siano ben serrati	*					
Assicurarsi che non vi siano perdite di olio o carburante	*					
Pulire secondo quanto indicato in <i>Pulizia del prodotto alla pagina 122</i>	X					
Pulire la superficie interna del piatto di taglio, intorno alle lame	X					
Pulire intorno al motore e alla marmitta	X					
Pulire il radiatore dell'olio idraulico	X					
Assicurarsi che la presa d'aria fredda del motore non sia ostruita	X					
Assicurarsi che i dispositivi di sicurezza non siano difettosi	X					
Esaminare ed eseguire una prova dei freni	*					
Controllo del livello dell'olio motore	X					
Effettuare un controllo del livello dell'olio della trasmissione			X			
Esaminare il piatto di taglio per verificare la presenza di eventuali danni	X					
Esaminare le lame nel piatto di taglio				X		
Effettuare un controllo del freno di stazionamento	X					

Manutenzione	Ogni giorno, prima dell'azionamento (intervalli di 10 ore)	Dopo le prime 25 ore	Una volta alla settimana (intervalli di 40 ore)	Intervallo di manutenzione in ore		
				100	200	400
Pulire le superfici interne del tunnel del telaio			*			
Lubrificare le guide del sedile			X			
Lubrificare il cuscinetto articolato			X	X		
Lubrificare in base al programma di lubrificazione.		X	X	X		
Pulire il piatto di taglio, sotto i coperchi della cinghia e sotto il piatto di taglio			X			
Assicurarsi che la pressione degli pneumatici sia corretta			X	X		
Sostituire l'olio motore		X		X		
Sostituire il filtro dell'olio		X				O
Pulire il filtro dell'aria			X	X		
Dopo la procedura di pulizia, eseguire un'ispezione visiva della tensione della cinghia PTO		*	*		*	
Dopo la procedura di pulizia, eseguire un'ispezione visiva della tensione della cinghia della pompa		*	*		*	
Dopo la procedura di pulizia, eseguire un'ispezione visiva dei bulloni del piatto di taglio per le pulegge cinghia e le lame	*					
Dopo la procedura di pulizia, eseguire un'ispezione visiva dei tubi e raccordi idraulici per assicurarsi che siano puliti e non danneggiati				*		
Dopo la procedura di pulizia, eseguire un'ispezione visiva del cuscinetto del giunto nell'articolazione						*
Dopo la procedura di pulizia, eseguire un'ispezione visiva di tutte le pulegge					*	
Sostituire il filtro dell'aria interno		X			X	
Sostituire la cartuccia del filtro dell'aria.						X
Sostituire il filtro del carburante		X		X		
Effettuare un controllo dei fari anteriori, sostituire lampade rotte		X	X	X		
Effettuare un controllo del parallelismo del piatto di taglio		X	X			
Lubrificare il regolatore della cinghia	X				O	O
Lubrificare i giunti e i cuscinetti sul piatto di taglio				X		
Lubrificare il sistema di pedali nel tunnel del telaio				X		
Lubrificare le catene nel tunnel del telaio.				X		
Disinserire il cavo del freno di stazionamento.				X		
Lubrificare il cavo dell'acceleratore (solo P 524)				X		

Manutenzione	Ogni giorno, prima dell'azionamento (intervalli di 10 ore)	Dopo le prime 25 ore	Una volta alla settimana (intervalli di 40 ore)	Intervallo di manutenzione in ore		
				100	200	400
Lubrificare il cavo del comando dell'aria (solo P 524)				X		
Lubrificare il cavo per la trasmissione idrostatica				X		
Sostituire la cinghia di trasmissione per il piatto di taglio						X
Sostituire la cinghia a V sul piatto di taglio						X
Esaminare la marmitta e il deflettore termico			O	O		
Esaminare la candela per rilevare eventuali danni e assicurarsi che la distanza tra gli elettrodi sia corretta					X	
Sostituire la candela						X
Effettuare il controllo e la regolazione del cavo dell'acceleratore (solo P 524)					O	
Effettuare il controllo e la regolazione del cavo del comando dell'aria (solo P 524)					O	
Pulire le alette di raffreddamento di motore e trasmissione			O	O		
Pulire il motore e la trasmissione			O	O		
Effettuare il controllo o la regolazione della velocità delle ruote posteriori				O		
Effettuare un controllo del tubo pescante. Sostituirlo se necessario				O		
Sostituire l'olio nella trasmissione		O				O

Pulizia del prodotto

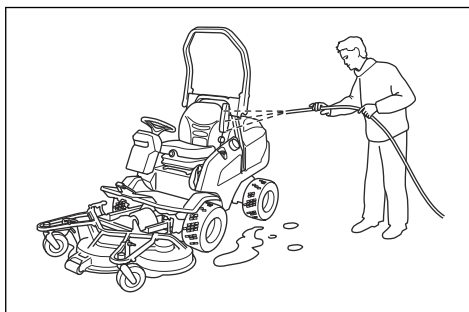


ATTENZIONE: Non utilizzare una lancia ad alta pressione o a vapore. L'acqua può entrare nei cuscinetti e nei collegamenti elettrici e causare una corrosione che può danneggiare il prodotto.

Pulire il prodotto subito dopo l'uso.

- Non pulire le superfici calde come il motore, la marmitta e il sistema di scarico. Attendere fino a quando le superfici sono fredde, quindi rimuovere l'erba o lo sporco.
- Prima di pulire con acqua, pulire con una spazzola. Rimuovere l'erba tagliata e lo sporco dall'area sopra e intorno alla trasmissione, la presa d'aria della trasmissione e il motore.
- Utilizzare acqua corrente e un tubo per pulire il prodotto. Non utilizzare alta pressione.
- Non puntare il getto d'acqua sui componenti elettrici o i cuscinetti. L'impiego di un detergente solitamente aumenta il danno.

- Per pulire il piatto di taglio, metterlo in posizione di servizio e lavarlo con acqua.
- Quando il prodotto è pulito, avviare il piatto di taglio per un breve periodo di tempo per scaricare l'acqua residua.
- Esaminare tutti i punti di lubrificazione e lubrificare se è necessario. Lubrificare sempre i cuscinetti prima di pulire il prodotto.



Per pulire il motore e la marmitta

Mantenere il motore e la marmitta libera dall'erba tagliata e dallo sporco. L'erba tagliata immersa nell'olio nel carburante sul motore può aumentare il rischio d'incendio e di surriscaldamento del motore. Lasciar raffreddare il motore prima di pulirlo. Pulire con acqua e una spazzola.

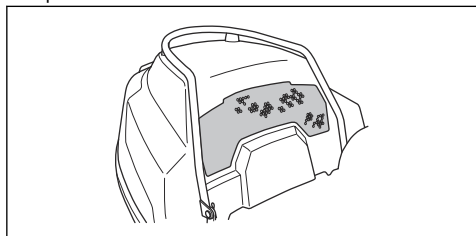
L'erba tagliata che si deposita intorno alla marmitta si secca velocemente e rappresenta un rischio d'incendio. Utilizzare una spazzola o rimuovere l'erba tagliata con l'acqua quando la marmitta è fredda.

Pulizia della presa d'aria fredda del motore

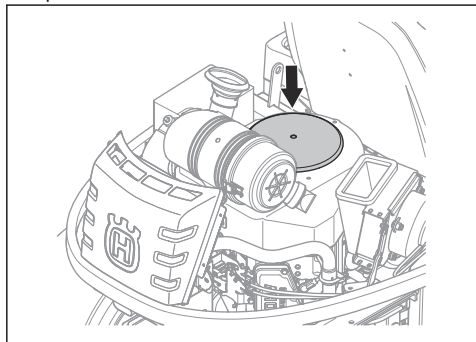


AVVERTENZA: Spegner il motore. La presa d'aria fredda ruota e può provocare lesioni alle dita.

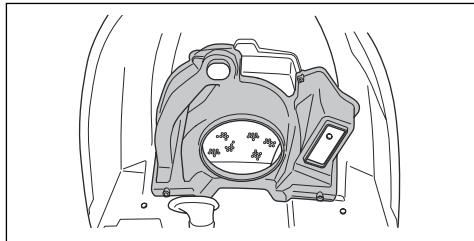
1. Accertarsi che la presa d'aria della griglia non sia ostruita. Rimuovere l'erba e lo sporco con una spazzola.



2. Rimuovere il cofano del motore.
3. Accertarsi che la presa d'aria fredda del motore non sia ostruita. Rimuovere l'erba e lo sporco con una spazzola.

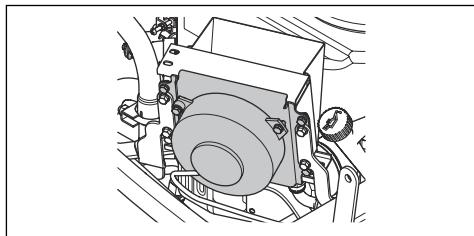


4. Esaminare il condotto dell'aria presente sulla superficie interna del cofano del motore. Assicurarsi che il condotto dell'aria sia pulito e che non tocchi la presa d'aria fredda.



Per pulire il radiatore dell'olio idraulico

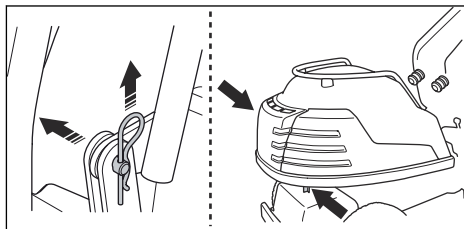
Assicurarsi che la ventola del radiatore dell'olio idraulico non sia ostruita e che l'area intorno al radiatore dell'olio idraulico sia pulita. Rimuovere l'erba e lo sporco con una spazzola.



Per rimuovere i coperchi

Rimozione del cofano del motore

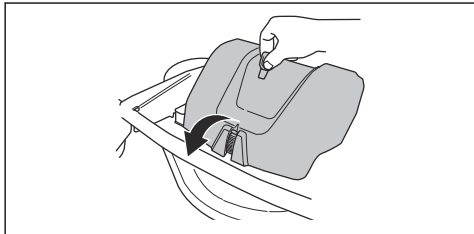
1. Portare il sedile completamente in avanti. Vedere *Per regolare il sedile alla pagina 115*.
2. Inclinare il sedile in avanti.
3. Rimuovere le coppiglie e i perni con testa dai cardini dietro il sedile.
4. Tirare indietro i fermi sul coperchio del motore. I fermi si trovano sulla superficie interna del telaio motore.



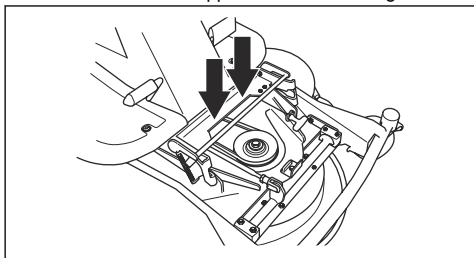
5. Sollevare e rimuovere il coperchio motore.

Per rimuovere il coperchio anteriore

1. Rilasciare il fermo sul coperchio anteriore con l'attrezzo collegato alla chiave di accensione.

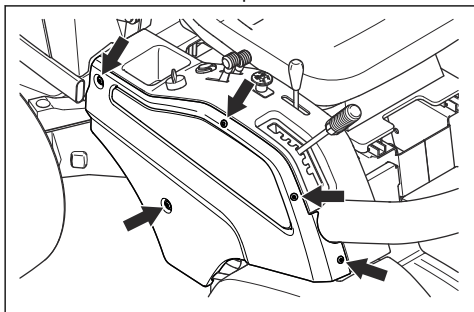


2. Rimuovere il coperchio anteriore. Quest'ultimo è fissato al telaio dell'apparecchiatura con 2 ganci.



Per rimuovere il coperchio laterale

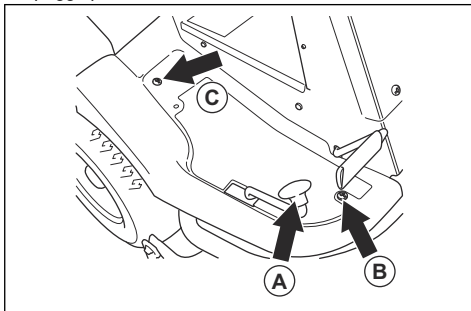
- Rimuovere le 5 viti e il coperchio laterale.



Rimozione della piastra poggiatesta destra

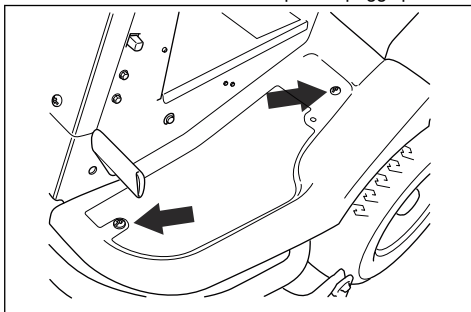
1. Ruotare e rimuovere la manopola sul pedale di marcia indietro (A).

2. Svitare le 2 viti (B e C) e rimuovere la piastra poggiatesta.



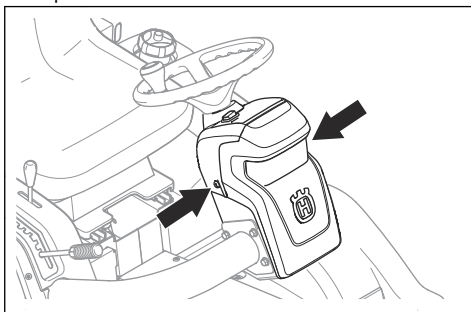
Rimozione della piastra poggiatesta sinistra

- Svitare le 2 viti e rimuovere la piastra poggiatesta.

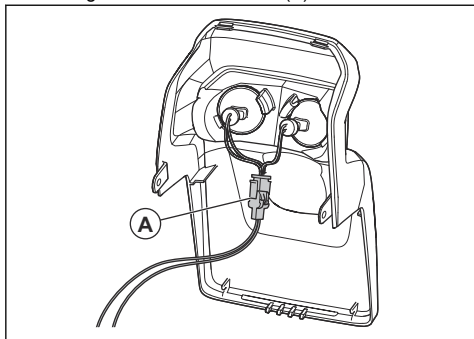


Per sostituire una lampadina rotta

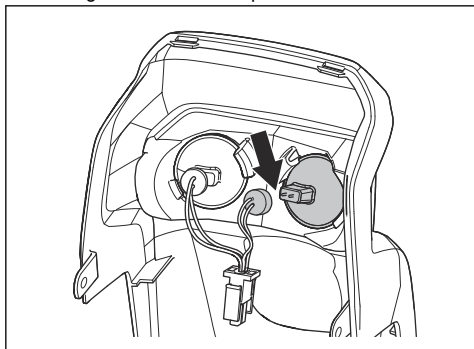
1. Rimuovere le 2 viti, una per ogni lato, e rimuovere il coperchio.



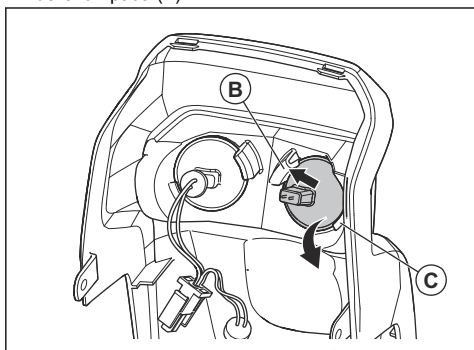
2. Scollegare i cavi dal raccordo (A).



3. Scollegare i cavi dalla lampadina rotta.

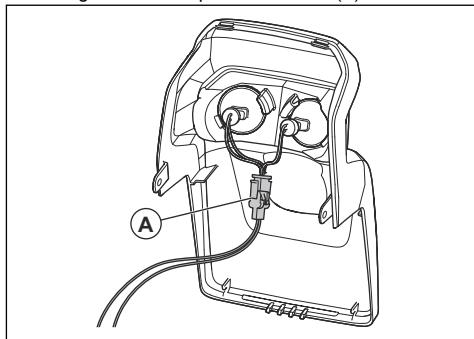


4. Spingere la lampada rotta verso l'attacco interno della lampada (B).



5. Sollevare il bordo esterno (C) della lampada per rimuovere la lampada.
6. Sostituire la lampada rotta. Utilizzare il tipo di lampadina indicato in *Dati tecnici alla pagina 145*
7. Collegare i cavi alla nuova lampadina.

8. Collegare i cavi nel punto di attacco (A).



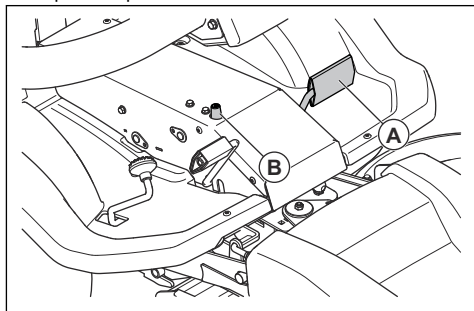
9. Montare il coperchio e serrare le 2 viti.

Per effettuare un controllo del freno di stazionamento

1. Parcheggiare il prodotto su una superficie dura in pendenza.

Nota: Non parcheggiare il prodotto su un prato in pendenza quando si esegue un controllo del freno di stazionamento.

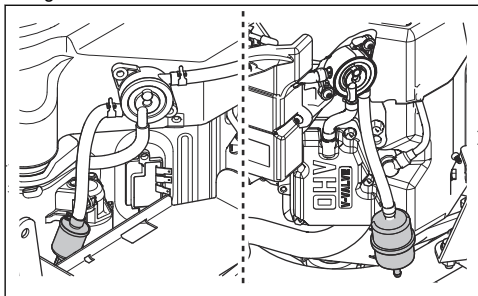
2. Premere il pedale del freno di stazionamento (A).
3. Tenere premuto il pulsante di bloccaggio (B) e rilasciare il pedale del freno di stazionamento mentre si preme il pulsante.



4. Se il prodotto inizia a muoversi, affidare la regolazione del freno di stazionamento a un'officina autorizzata.
5. Premere di nuovo il pedale del freno di stazionamento per rilasciarlo.

Per sostituire il filtro del carburante

1. Rimuovere il cofano del motore per accedere al filtro del carburante. La figura a destra mostra P 524. La figura a sinistra mostra P 524EFI.



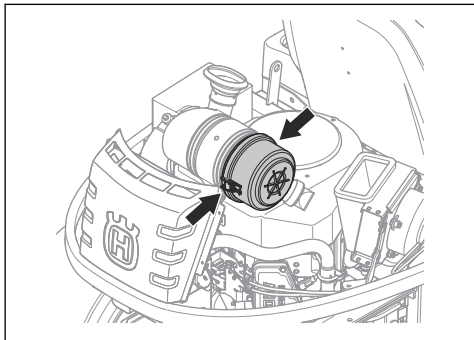
2. Spostare le clip tubo dal filtro del carburante con un paio di pinze.
3. Estrarre il filtro del carburante dalle estremità del tubo.
4. Premere il nuovo filtro del carburante nelle estremità dei tubi. Applicare del detergente liquido sulle estremità del filtro del carburante per rendere più semplice il collegamento.
5. Spingere le clip tubo sul filtro del carburante.

Per pulire e sostituire il filtro dell'aria



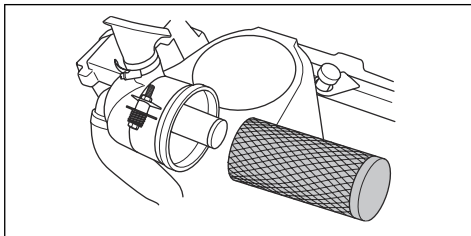
ATTENZIONE: Non avviare il motore quando il filtro dell'aria non è fissato.

1. Rimuovere il cofano del motore.
2. Allentare le 2 manopole che fissano il coperchio del filtro dell'aria.

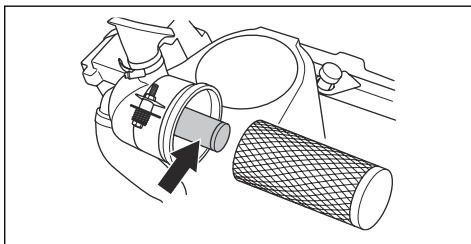


3. Rimuovere il coperchio del filtro dell'aria.

4. Rimuovere la cartuccia del filtro dell'aria dalla relativa sede.



5. Colpire con cautela la cartuccia del filtro dell'aria contro una superficie dura e soffiare con aria compressa sulla superficie interna. Sostituire il filtro dell'aria se non è pulito o se è danneggiato.
6. Rimuovere il filtro dell'aria interno dietro alla cartuccia del filtro dell'aria.

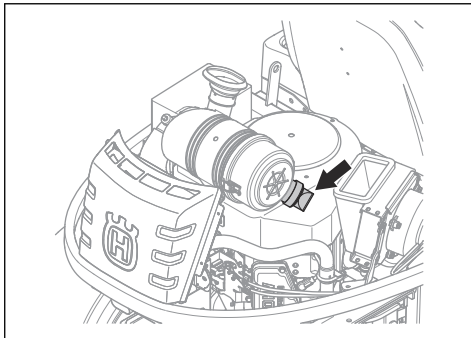


7. Scuotere il filtro di carta interno contro una superficie dura per pulirlo. Sostituire il filtro dell'aria se non è pulito o se è danneggiato.



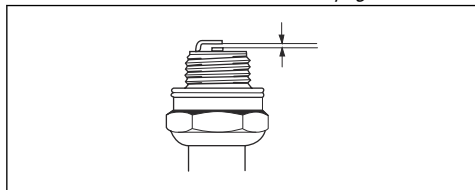
ATTENZIONE: Non usare aria compressa per pulire il filtro dell'aria interno.

8. Inserire il filtro dell'aria interno e reintrodurre la cartuccia del filtro dell'aria nella rispettiva posizione iniziale nell'alloggiamento del filtro. Accertarsi che la cartuccia del filtro dell'aria sia correttamente fissata sulla parte superiore della presa d'aria.
9. Fissare il coperchio del filtro dell'aria e assicurarsi che il collettore di particelle sia rivolto verso il basso.



Per esaminare e sostituire la candela

1. Aprire il cofano del motore.
2. Rimuovere lo zoccolo del cavo di accensione e pulire la zona circostante la candela.
3. Rimuovere la candela con una chiave per candele di $\frac{3}{4}$ " (19 mm).
4. Esaminare la candela. Sostituirla se gli elettrodi sono bruciati o se l'isolamento presenta crepe o altri danni. Se la candela non è danneggiata, è necessario pulirla con una spazzola di acciaio.
5. Misurare la distanza tra gli elettrodi e assicurarsi che sia corretta. Vedere *Dati tecnici alla pagina 145*.



6. Piegare l'elettrodo laterale per regolare la distanza tra gli elettrodi.
7. Inserire nuovamente la candela e ruotarla manualmente finché non tocca la sede della candela.
8. Stringere la candela con la chiave per candele fino a quando la rondella non è compressa.
9. Serrare una candela usata con $\frac{1}{8}$ di giro in più e una nuova candela con $\frac{1}{4}$ di giro in più.



ATTENZIONE: Le candele non serrate correttamente possono provocare danni al motore.

10. Sostituire lo zoccolo del cavo di accensione.



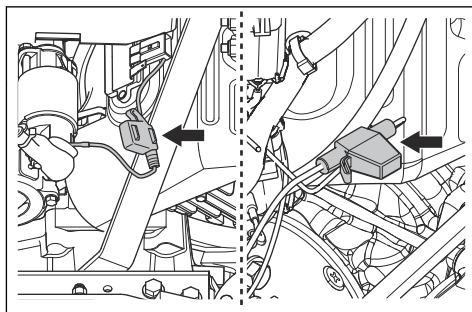
ATTENZIONE: Non tentare di avviare il motore se la candela o il cavo di accensione è stato rimosso.

Per sostituire un fusibile

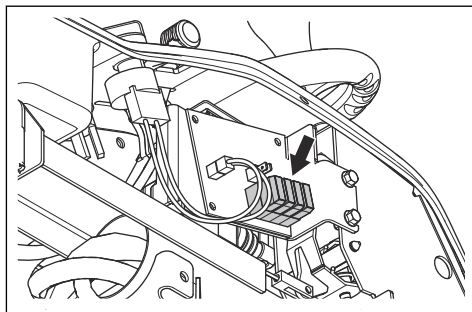
Un fusibile danneggiato si riconosce da un connettore bruciato.

1. Rimuovere il coperchio per accedere al fusibile rotto.

- a) Per sostituire il fusibile principale, rimuovere il cofano del motore. Il fusibile principale è collocato in un supporto sotto la batteria. La figura a destra mostra P 524. La figura a sinistra mostra P 524EFI.



- b) Per sostituire il fusibile della presa di corrente, rimuovere il coperchio laterale. Il fusibile della presa di corrente è collocato sotto il pannello di comando.



2. Estrarre il fusibile dal supporto.
3. Sostituire il fusibile bruciato con un nuovo fusibile dello stesso tipo. Vedere *Dati tecnici alla pagina 145*.
4. Fissare i coperchi.

Nota: Se il fusibile principale si danneggia di nuovo dopo un breve periodo dalla sostituzione, è presente un corto circuito. Riparare il cortocircuito prima di utilizzare nuovamente il prodotto. Chiedere aiuto a un'officina autorizzata.

Per caricare la batteria

- Ricaricare la batteria se è troppo scarica per avviare il motore.
- Utilizzare un caricabatterie standard.



ATTENZIONE: Non usare un caricabatterie rapido o l'avviamento di emergenza. Ciò può causare danni all'impianto elettrico del prodotto.

- Scollegare sempre il caricabatteria prima di avviare il motore.

Per eseguire un avvio di emergenza del motore

Se la batteria è troppo scarica per avviare il motore, è possibile utilizzare dei cavi di avviamento per effettuare un avviamento di emergenza. Questo prodotto dispone di un sistema da 12 V con messa a terra negativa. Il prodotto che viene utilizzato per l'avviamento di emergenza dovrà altresì disporre di un sistema da 12 V con messa a terra negativa.

Per collegare i cavi di avviamento

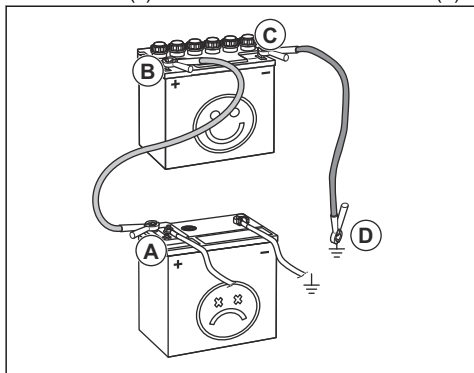


AVVERTENZA: Rischio di esplosione a causa di gas esplosivo che fuoriesce dalla batteria. Non collegare il morsetto negativo della batteria completamente carica al morsetto negativo della batteria scarica o in prossimità di quest'ultimo.



ATTENZIONE: Non utilizzare la batteria del prodotto per avviare altri veicoli.

1. Rimuovere il cofano del motore.
2. Rimuovere il coperchio del vano batteria.
3. Collegare un'estremità del cavo rosso al morsetto POSITIVO (+) della batteria alla batteria scarica (A).



4. Collegare l'altra estremità del cavo rosso al morsetto POSITIVO (+) della batteria alla batteria completamente carica (B).



AVVERTENZA: Non mettere in corto circuito le estremità del cavo rosso sul telaio.

5. Collegare un'estremità del cavo nero al terminale NEGATIVO (-) della batteria completamente carica (C).
6. Collegare l'altra estremità del cavo nero a un PUNTO DI MASSA SUL TELAIO (D), lontano dal serbatoio del carburante e dalla batteria.
7. Riposizionare le coperture.

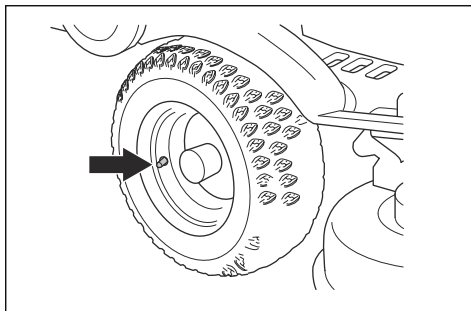
Per rimuovere i cavi di avviamento

Nota: Rimuovere i cavi di avviamento nella sequenza opposta rispetto alla modalità di collegamento.

1. Rimuovere il cavo NERO dal telaio.
2. Rimuovere il cavo NERO dalla batteria completamente carica.
3. Rimuovere il cavo ROSSO dalle 2 batterie.

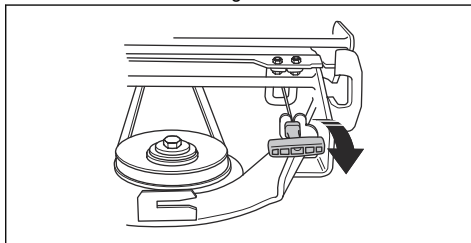
Pressioni degli pneumatici

Si consiglia una pressione pneumatici corretta di 100 kPa (1,0 bar / 14,5 PSI) su tutti e 4 gli pneumatici.



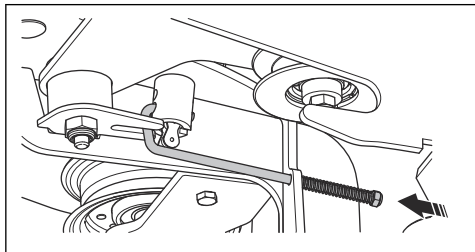
Per sostituire la cinghia di trasmissione del piatto di taglio

1. Abbassare il piatto di taglio.
2. Rimuovere il coperchio anteriore.
3. Sfilare la leva a molla dalla sede tirando verso sinistra per allentare la tensione della ruota di tensionamento della cinghia di trasmissione.

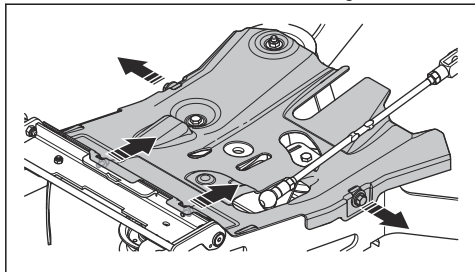


4. Rimuovere i coperchi laterali sinistri del piatto di taglio.

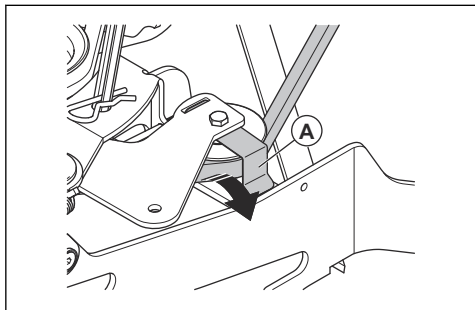
5. Tirare il fermo della molla dalla catena di sollevamento.



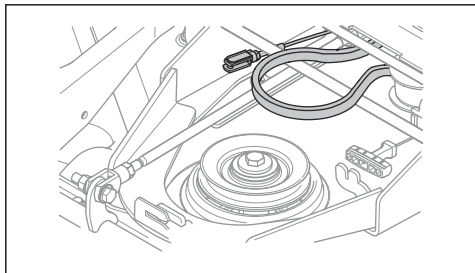
6. Rimuovere le 4 viti e il carter della cinghia.



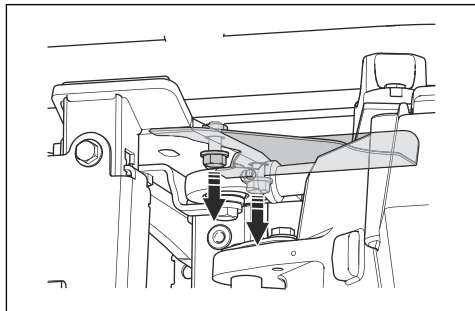
7. Rimuovere la cinghia dalla puleggia, sollevare il supporto della cinghia (A) e rimuovere la cinghia dalla ruota di tensionamento.



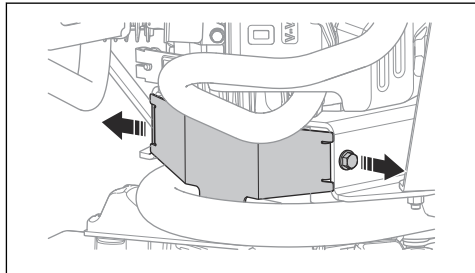
8. Allentare la cinghia dalla puleggia sul telaio dello strumento.



9. Staccare il carter della cinghia sotto la puleggia del motore.

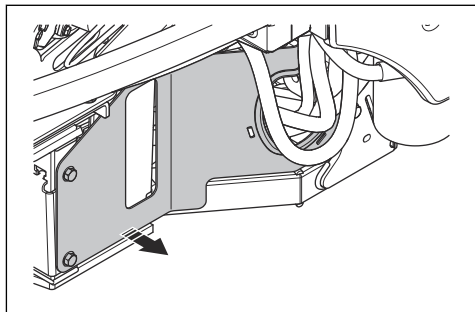


10. Staccare il carter della cinghia davanti alla trasmissione posteriore.

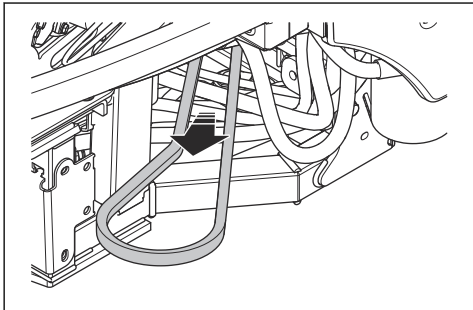


11. Smontare la cinghia dalla puleggia del motore.

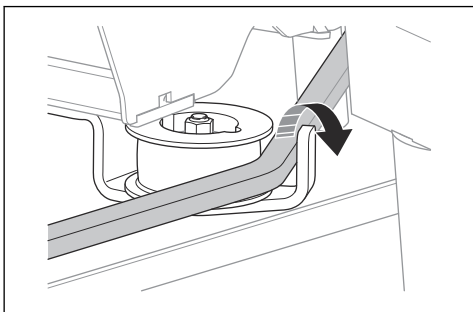
12. Staccare il carter della cinghia sul lato destro della macchina.



13. Tirare la parte anteriore della cinghia verso l'esterno attraverso il lato destro dell'articolazione del prodotto.



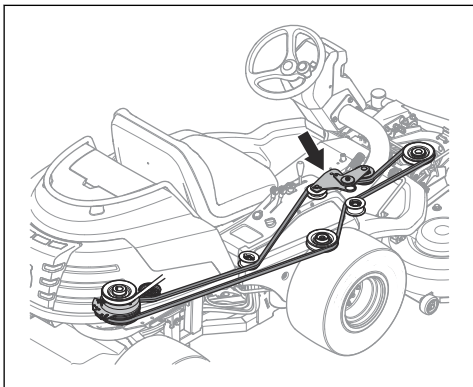
14. Sganciare la cinghia dal gancio sulla puleggia centrale.



15. Estrarre la cinghia di trasmissione.

16. Montare una nuova cinghia di trasmissione procedendo nell'ordine inversa allo smontaggio.

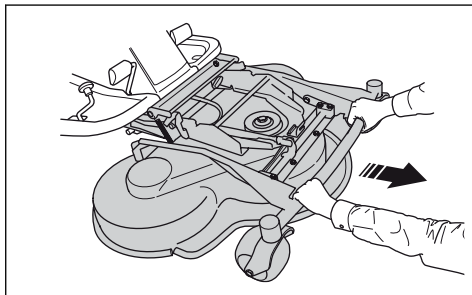
Assicurarsi che la cinghia di trasmissione del piatto di taglio sia fissata come mostrato nell'illustrazione. Assicurarsi che sia inserita correttamente nel regolatore della puleggia, mostrata dalla freccia nella figura.



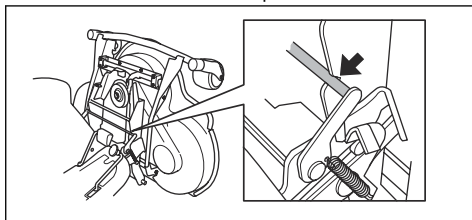
Per mettere il piatto di taglio in posizione di servizio

1. Vedere i punti 1-8 in *Rimozione del piatto di taglio alla pagina 114*.

2. Afferrare il bordo anteriore del piatto di taglio con entrambe le mani e tirare in avanti finché non si arresta.



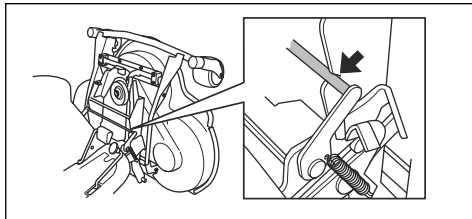
3. Sollevare il piatto di taglio in posizione verticale fino a quando non si avverte un clic. Il piatto di taglio si blocca automaticamente in posizione verticale.



Per mettere il piatto di taglio in posizione di falciatura

1. Afferrare il bordo anteriore del piatto di taglio con la mano sinistra.

2. Allentare il blocco con la mano destra.

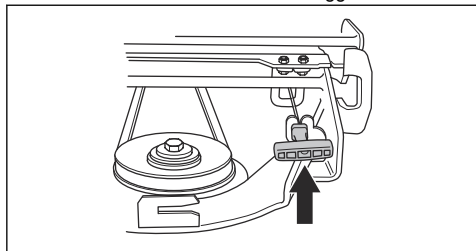


3. Abbassare il piatto di taglio e premere fino all'arresto.

4. Inserire la cinghia di trasmissione intorno alla ruota motrice per il piatto di taglio.

5. Fissare il cavo di regolazione dell'altezza.

6. Posizionare la leva a molla nell'alloggiamento.

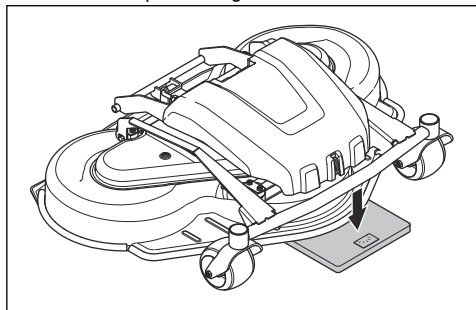


7. Collegare il coperchio anteriore.

Per esaminare e regolare la pressione al suolo dal piatto di taglio

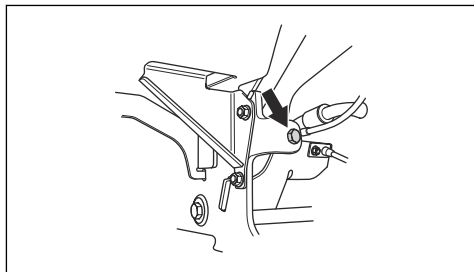
Una pressione al suolo corretta fa sì che il piatto di taglio si sposti lungo la superficie, senza premervi contro.

1. Effettuare un controllo della pressione aria all'interno degli pneumatici. Vedere *Pressioni degli pneumatici alla pagina 128*.
2. Parcheggiare il prodotto su una superficie piana.
3. Abbassare il piatto di taglio fino alla posizione di falciatura.
4. Mettere una bilancia pesapersona sotto il bordo anteriore del piatto di taglio.



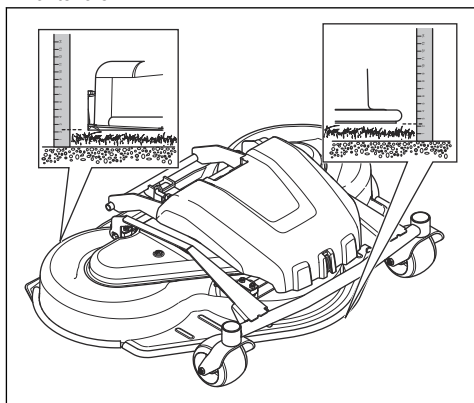
5. Collocare un blocco di legno tra il telaio e la bilancia pesapersona. Il blocco di legno fa in modo che non vi sia alcun peso applicato sulle ruote di supporto.
6. La corretta pressione a terra è compresa tra 12 e 15 Kg (26,5 - 33 lb). Per regolare la pressione sul terreno, ruotare le viti di regolazione dietro le ruote anteriori sui lati destro e sinistro.

7. Ruotare le viti a destra o sinistra fino a quando la pressione sul terreno non è compresa tra 12 e 15 Kg (26,5-33 lb). Assicurarsi che le molle abbiano la stessa tensione sui lati destro e sinistro.



Per effettuare un controllo del parallelismo del piatto di taglio

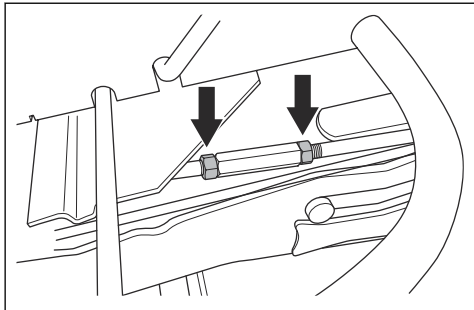
1. Effettuare un controllo della pressione aria all'interno degli pneumatici. Vedere *Pressioni degli pneumatici alla pagina 128*.
2. Parcheggiare il prodotto su una superficie piana.
3. Abbassare il piatto di taglio fino alla posizione di falciatura.
4. Impostare la leva dell'altezza di taglio nella posizione centrale.
5. Misurare la distanza tra il suolo e i bordi anteriore e posteriore del piatto di taglio. Assicurarsi che il bordo posteriore sia di 4-6 mm (1/5") più alto del bordo anteriore.



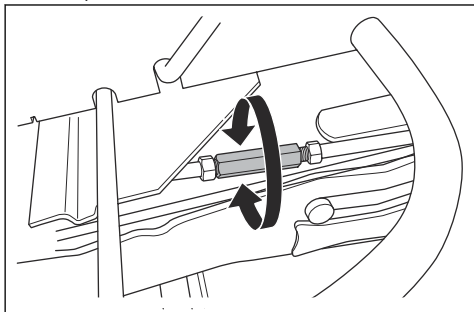
Per regolare il parallelismo del piatto di taglio

1. Rimuovere il coperchio anteriore.

2. Allentare i dadi del tirante trasversale.



3. Girare il tirante trasversale per estendere o ridurre il sostegno. Estendere il tirante trasversale per sollevare il bordo posteriore del coperchio. Ridurre il tirante trasversale per abbassare il bordo posteriore del coperchio.



4. Serrare i dadi del tirante trasversale dopo aver effettuato la regolazione.
5. Eseguire un controllo del parallelismo. Vedere *Per effettuare un controllo del parallelismo del piatto di taglio alla pagina 131*.
6. Collegare il coperchio anteriore.

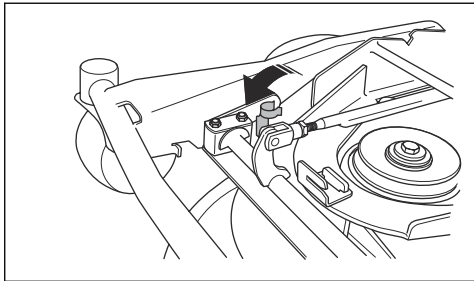
Per sostituire la cinghia a V del piatto di taglio



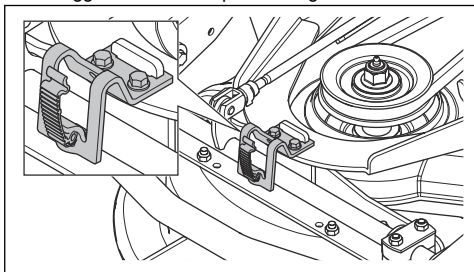
AVVERTENZA: Rischio di lesioni per schiacciamento. Usare guanti protettivi.

1. Rimuovere il piatto di taglio. Vedere *Rimozione del piatto di taglio alla pagina 114*.

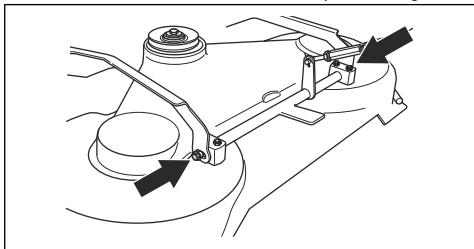
2. Sbloccare il bullone del tirante trasversale.



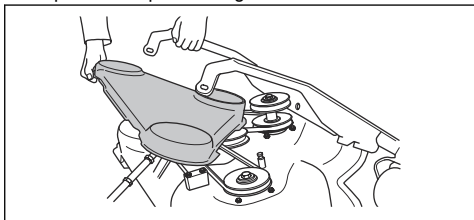
3. Rimuovere i 2 bulloni che bloccano la staffa di fissaggio sul telaio del piatto di taglio.



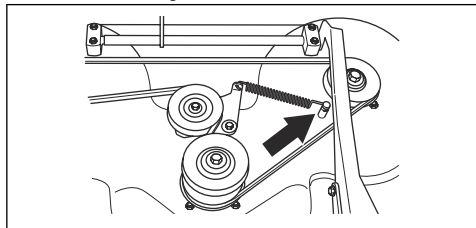
4. Rimuovere la staffa di fissaggio e rimuovere il telaio del piatto di taglio.
5. Rimuovere i 2 bulloni dal telaio del piatto di taglio.



6. Rimuovere le viti dalla copertura del piatto di taglio. Sollevare il telaio del piatto di taglio e rimuovere la copertura del piatto di taglio.



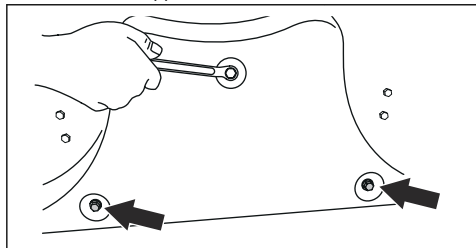
7. Scollegare la molla a tensione della cinghia a V e rimuovere la cinghia a V.



8. Montare una nuova cinghia a V procedendo nell'ordine inverso allo smontaggio.

Per rimuovere e montare il tappo BioClip

1. Mettere il piatto di taglio in posizione di servizio.
2. Rimuovere le 3 viti che fissano il tappo BioClip e rimuovere il tappo.



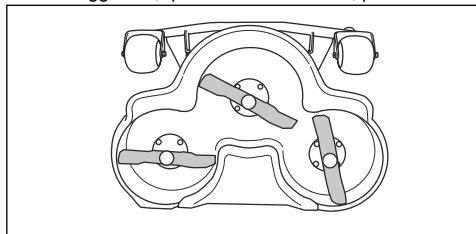
3. Inserire 3 viti M8X15 mm nei fori delle viti per il tappo BioClip per evitare di danneggiare la filettatura.
4. Mettere il piatto di taglio in posizione di falciatura.
5. Montare il tappo BioClip nella sequenza opposta.

Per esaminare le lame



ATTENZIONE: Lame danneggiate o bilanciate in modo errato possono causare danni al prodotto. Sostituire le lame danneggiate. Affidare a un'officina autorizzata l'affilatura e il bilanciamento delle lame.

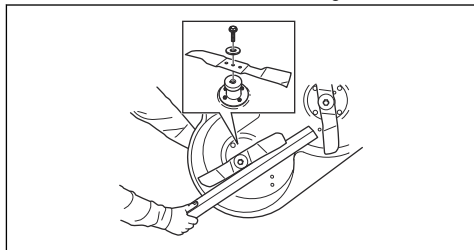
1. Mettere il piatto di taglio in posizione di servizio.
2. Esaminare le lame per verificare se sono danneggiate e, qualora sia necessario, per affilarle.



3. Serrare i bulloni delle lame a una coppia di 80–85 Nm.

Per sostituire le lame

1. Mettere il piatto di taglio in posizione di servizio.
2. Bloccare la lama con un cuneo di legno.



3. Allentare e rimuovere il bullone della lama, le rondelle e la lama.
4. Montare la nuova lama con l'estremità ad angolo nella direzione del piatto di taglio.

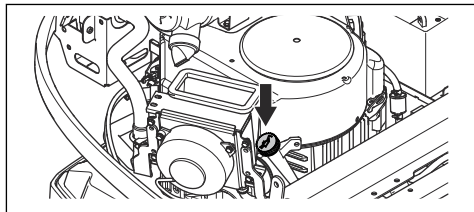


AVVERTENZA: Un tipo di lama errato può causare l'espulsione di oggetti dal piatto di taglio e lesioni gravi. Utilizzare solo le lame indicate in *Dati tecnici alla pagina 145*

5. Fissare la lama, la rondella e il bullone. Serrare il bullone a una coppia di 80–85 Nm.

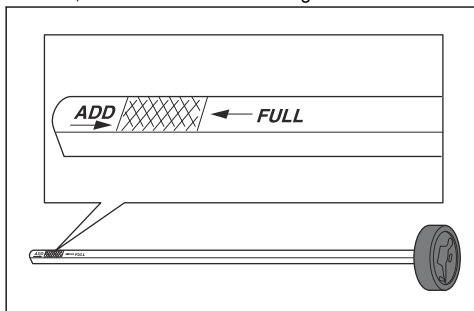
Controllo del livello dell'olio motore

1. Parcheggiare il prodotto su un terreno piano e spegnere il motore.
2. Rimuovere il cofano del motore.
3. Allentare l'asta di livello ed estrarla.

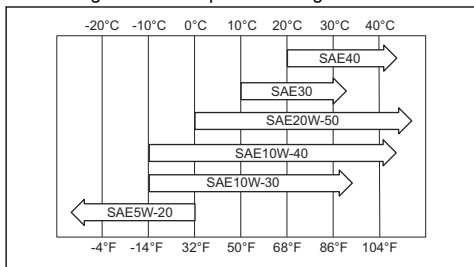


4. Pulire l'olio dall'asta di livello.
5. Riposizionare l'asta di livello. Non serrarla.
6. Sfilare l'asta di livello e leggere il livello dell'olio.

- Il livello dell'olio deve essere compreso tra i segni sull'asta di livello. Se il livello si trova vicino al segno ADD, rabboccare l'olio fino al segno FULL.



- Versare l'olio lentamente attraverso il foro dell'asta di livello. Utilizzare un olio con viscosità compatibile con le gamme di temperatura in figura.



ATTENZIONE: Non mescolare tipi diversi di olio.

- Serrare l'asta di livello correttamente prima di avviare il motore. Avviare e far girare il motore al minimo per circa 30 secondi. Spegnerlo il motore. Attendere 30 secondi, quindi eseguire un nuovo controllo del livello dell'olio.

Per sostituire l'olio motore e il filtro dell'olio

Se il motore è freddo, avviare il motore per 1-2 minuti prima di scaricare l'olio motore. Ciò comporta il riscaldamento dell'olio motore, semplificando lo scarico.



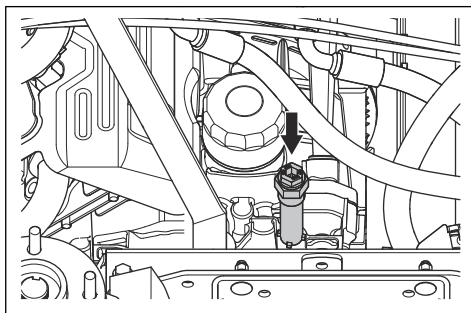
AVVERTENZA: Non avviare il motore per più di 1-2 minuti prima di scaricare l'olio motore. L'olio motore diventa molto caldo e può causare ustioni. Lasciare che il motore si raffreddi prima di scaricare l'olio motore.



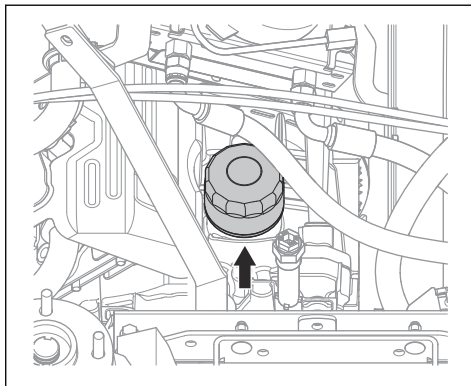
AVVERTENZA: Se si versa accidentalmente dell'olio motore sul proprio corpo, lavare con acqua e sapone.

- Rimuovere il cofano del motore.

- Collocare un contenitore sotto il tappo di drenaggio dell'olio.



- Rimuovere l'asta di livello.
- Rimuovere il tappo di drenaggio dell'olio dal motore.
- Far fuoriuscire l'olio nel contenitore.
- Montare il tappo di drenaggio dell'olio e serrarlo a fondo.
- Ruotare il filtro dell'olio in senso antiorario per rimuoverlo.

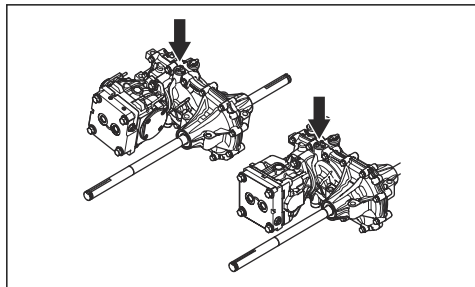


- Lubrificare leggermente la guarnizione in gomma sul nuovo filtro dell'olio con olio nuovo.
- Per fissare il filtro dell'olio, girarlo in senso orario a mano fino a quando la guarnizione in gomma non è in posizione, quindi serrare di un altro mezzo giro.
- Riempire con olio nuovo come indicato in *Controllo del livello dell'olio motore alla pagina 133*
- Avviare il motore e lasciarlo girare al minimo per 3 minuti.
- Arrestare il motore e assicurarsi che il filtro dell'olio non presenti perdite.
- Riempire di olio per compensare l'olio contenuto nel filtro dell'olio nuovo.

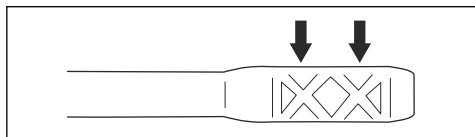
Nota: Per lo smaltimento sicuro dell'olio motore esausto, vedere *Smaltimento alla pagina 143*.

Per effettuare un controllo del livello dell'olio della trasmissione

1. Usare l'asta di livello dell'olio per rilevare il livello dell'olio nella trasmissione.



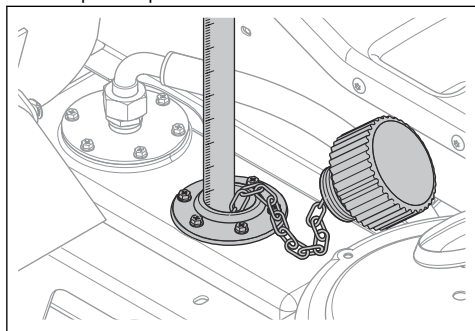
2. Il livello dell'olio deve essere compreso tra i segni sull'asta di livello.



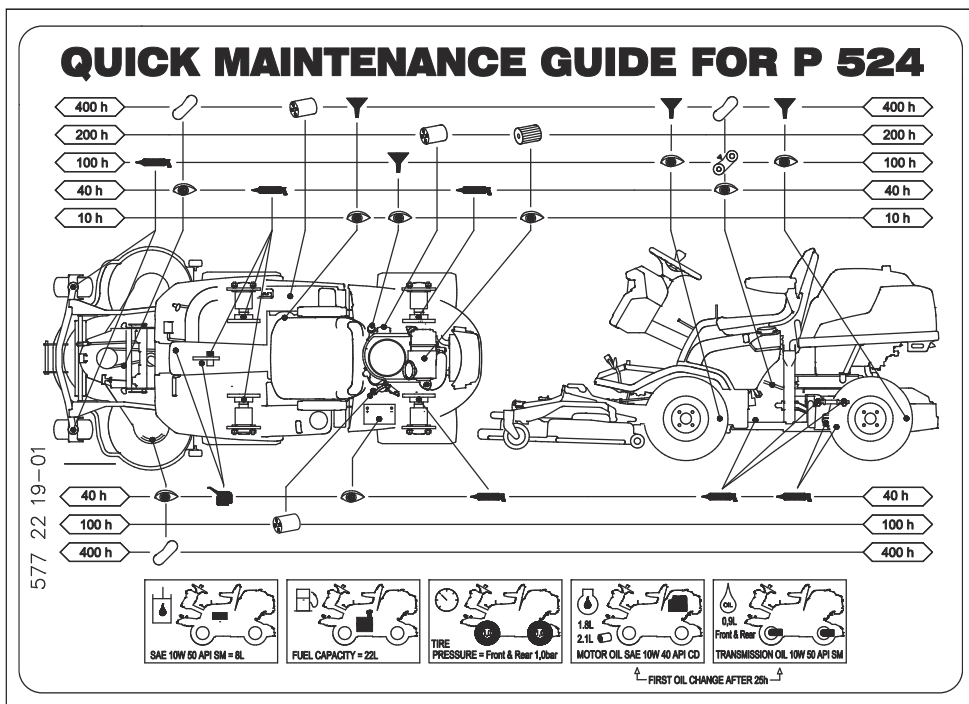
3. Se il livello dell'olio è troppo basso, rabboccare con il tipo di olio indicato in *Dati tecnici alla pagina 145*,

Effettuare un controllo del livello dell'olio nell'impianto idraulico

1. Inclinare il sedile in avanti.
2. Pulire l'area intorno al tappo dell'olio con un panno asciutto.
3. Rimuovere il tappo dell'olio e controllare il livello dell'olio idraulico. Il livello corretto è di 40-60 mm dalla parte superiore del filtro.



4. Se il livello dell'olio è troppo basso, rabboccare con il tipo di olio indicato in *Dati tecnici alla pagina 145*,



Simboli della guida di manutenzione rapida



Sostituire il filtro.



Sostituire l'olio.



Esaminare visivamente o effettuare un controllo del livello dell'olio



Lubrificare con grasso l'ingrassatore.



Lubrificare con olio motore.

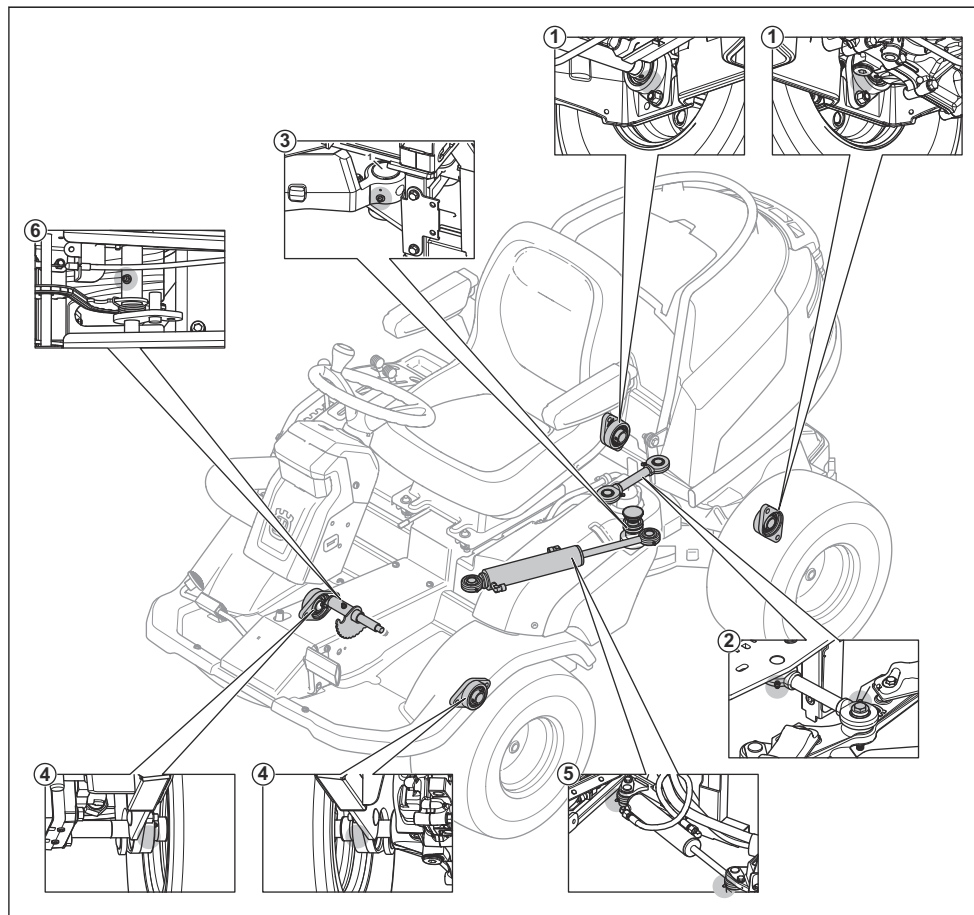


Eseguire un controllo delle condizioni e del tensionamento della cinghia di trasmissione



Sostituire la cinghia di trasmissione

Panoramica di lubrificazione



1. Cuscinetto asse posteriore
2. Tirante
3. Cuscinetto di articolazione
4. Cuscinetto assale anteriore
5. Cilindro dello sterzo
6. Catena di sollevamento dell'asse

- Lubrificare 2 volte a settimana se il prodotto viene azionato tutti i giorni.
- Non versare lubrificante sulle cinghie di trasmissione o sulle scanalature delle pulegge cinghia. In caso di versamento, pulire con alcool. Se l'attrito tra la cinghia di trasmissione e la puleggia non è sufficiente dopo aver pulito con alcool, sostituire la cinghia di trasmissione.

Lubrificazione, Informazioni generali

- Estrarre la chiave di accensione per impedire movimenti accidentali durante la lubrificazione.
- Utilizzare olio motore quando si lubrifica con un oliatore.
- Quando si lubrifica con grasso, utilizzare un grasso per telaio o cuscinetti a sfera per evitare la corrosione. Rimuovere il grasso superfluo dopo la lubrificazione.



ATTENZIONE: Non usare benzina e altri prodotti derivati dalla benzina per pulire le cinghie di trasmissione.

Per lubrificare i cavi

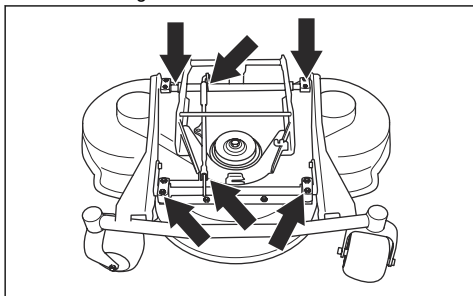
- Lubrificare le 2 estremità dei cavi e spostare i comandi verso le posizioni finali.

- Applicare i rivestimenti in gomma sui cavi a lubrificazione ultimata.
- I cavi con involucro devono essere lubrificati regolarmente per evitare malfunzionamenti.
 - a) Rimuovere il cavo e appenderlo verticalmente.
 - b) Lubrificare il cavo con olio motore fluido fin quando l'olio comincia a staccarsi dal fondo. Sostituire il cavo se l'olio non si stacca dal fondo.

Nota: È possibile riempire di olio una bustina di plastica e fissare la busta di plastica contro l'involucro del cavo con nastro adesivo. Lasciar appeso il cavo verticalmente dalla bustina fino al giorno successivo.

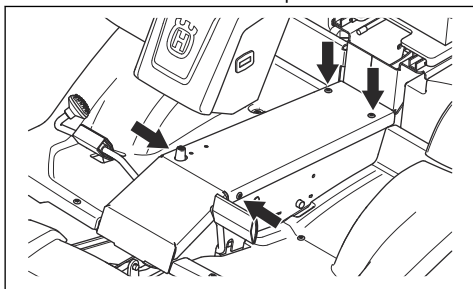
Per lubrificare il piatto di taglio

1. Rimuovere il coperchio anteriore.
2. Lubrificare i giunti e i cuscinetti con olio motore.

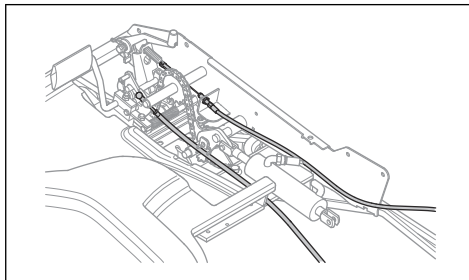


Per lubrificare il sistema di pedali

1. Svitare le 4 viti e rimuovere la piastra del telaio.



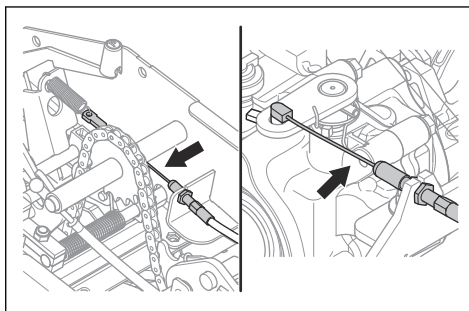
2. Premere e rilasciare i pedali e lubrificare le parti che si muovono con olio motore.



3. Lubrificare i cavi dei pedali di marcia avanti e retromarcia con olio motore.

Per lubrificare il cavo del freno di stazionamento

1. Svitare le 4 viti e rimuovere la piastra del telaio.
2. Rimuovere il coperchio laterale sinistro.
3. Rimuovere l'involucro in gomma del cavo del freno di stazionamento.
4. Lubrificare le estremità del cavo del freno di stazionamento con olio motore.

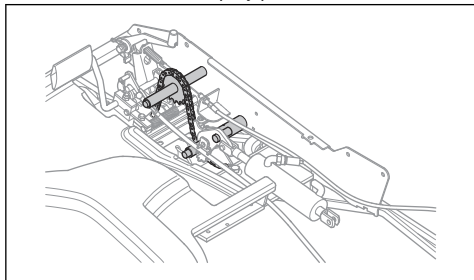


5. Lubrificare il cavo del freno di stazionamento con olio motore.
6. Premere il pedale del freno di stazionamento 3 volte, quindi lubrificare di nuovo il cavo del freno di stazionamento.
7. Montare il coperchio laterale sinistro e la piastra del telaio.

Per lubrificare le catene nel tunnel del telaio

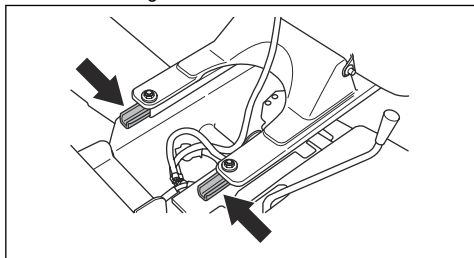
1. Svitare le viti e rimuovere la piastra del telaio.

2. Lubrificare la catena nel tunnel del telaio con olio motore o lubrificante spray per catene.



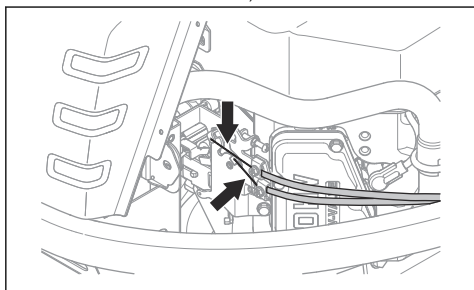
Per lubrificare le guide del sedile

1. Inclinare il sedile in avanti.
2. Lubrificare le guide del sedile con olio motore.



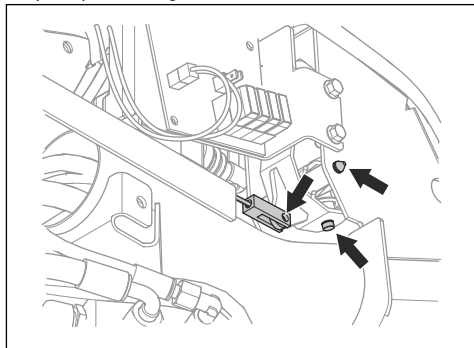
Per lubrificare il cavo dell'acceleratore, il cavo del comando dell'aria e cuscinetti della leva (P 524).

1. Rimuovere il coperchio laterale destro.
2. Lubrificare le estremità libere dei cavi, comprese le estremità vicino al motore, con olio motore.



3. Portare il comando dell'acceleratore, il comando della valvola dell'aria per il piatto di taglio nelle relative posizioni finali e lubrificare nuovamente i cavi.

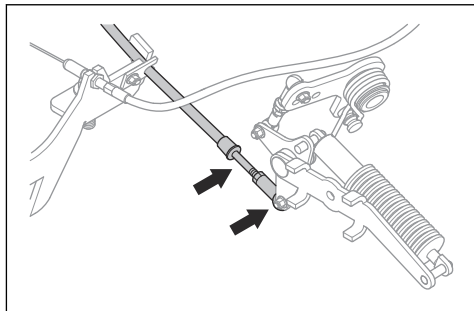
4. Lubrificare i giunti, i ganci e i cuscinetti dei comandi per il piatto di taglio con olio motore.



5. Montare il coperchio laterale destro.

Per lubrificare il cavo della trasmissione idrostatica

1. Lubrificare i giunti e i cuscinetti del cavo della trasmissione idrostatica con olio motore.
2. Rimuovere il manicotto in gomma e lubrificare il cavo della trasmissione idrostatica con olio motore.

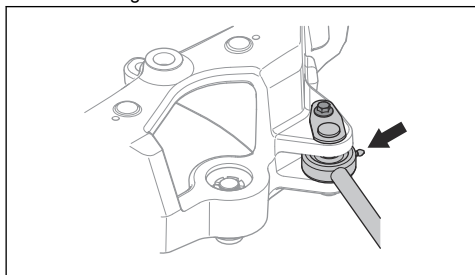


3. Premere il pedale della marcia avanti 5 volte e lubrificare il cavo della trasmissione idrostatica nuovamente.
4. Montare il manicotto in gomma.

Per lubrificare il cilindro dello sterzo

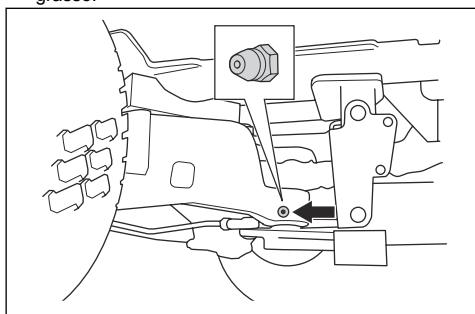
Il cilindro dello sterzo ha 2 ingrassatori, uno su ciascun lato.

- Lubrificare con una pistola ingrassatrice fin quando fuoriesce il grasso.



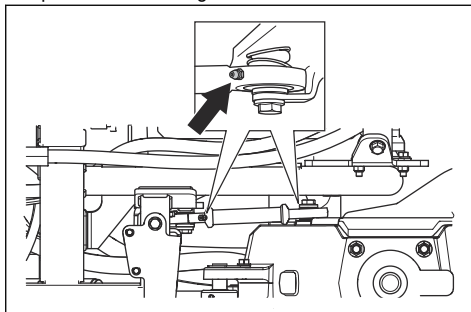
Per lubrificare il cuscinetto a rullini

1. Lubrificare il cuscinetto del giunto di articolazione con una pistola ingrassatrice fin quando fuoriesce grasso.



Per lubrificare il tirante

1. Ci sono 2 ingrassatori, uno su ciascun lato del tirante. Lubrificare con una pistola ingrassatrice fin quando fuoriesce il grasso.



Ricerca dei guasti

Se non si riesce a trovare la soluzione al problema in questo Manuale, rivolgersi alla propria officina autorizzata Husqvarna.

Problema	Causa
Il motorino di avviamento non fa girare il motore	Il freno di stazionamento non è inserito. Vedere <i>Per innestare e disinnestare il freno di stazionamento alla pagina 119.</i>
	La leva di sollevamento del piatto di taglio è in posizione di falciatura. Vedere <i>Per sollevare il piatto di taglio alla pagina 116.</i>
	Il fusibile principale è bruciato. Vedere <i>Per sostituire un fusibile alla pagina 127.</i>
	Il blocco accensione è difettoso.
	Il collegamento tra il cavo e la batteria è difettoso. Vedere <i>Sicurezza batterie alla pagina 112.</i>
	La batteria è troppo debole. Vedere <i>Per caricare la batteria alla pagina 127.</i>
	Il motore di avviamento è difettoso.

Problema	Causa
Il motore non si avvia quando il motorino di avviamento gira il motore	Non è presente carburante nel serbatoio. Vedere <i>Per il rifornimento del carburante alla pagina 115.</i>
	La candela è difettosa.
	Il cavo di accensione è difettoso.
	È presente dello sporco nel carburatore o nel tubo del carburante (P 524).
	È presente dello sporco nel tubo del carburante (P 524EFI).
Il motore non gira in modo regolare	La candela è difettosa.
	Il carburatore è regolato in modo errato (P 524).
	Il filtro dell'aria è ostruito. Vedere <i>Per pulire e sostituire il filtro dell'aria alla pagina 126.</i>
	Lo sfiato del serbatoio carburante è bloccato.
	È presente dello sporco nel carburatore o nel tubo del carburante (P 524).
	È presente dello sporco nel tubo del carburante (P 524EFI).
	Il cavo del comando dell'aria è regolato in modo errato (P 524).
Il motore apparentemente non è alimentato	Il filtro dell'aria è ostruito. Vedere <i>Per pulire e sostituire il filtro dell'aria alla pagina 126.</i>
	La candela è difettosa.
	È presente dello sporco nel carburatore o nel tubo del carburante (P 524).
	È presente dello sporco nel tubo del carburante (P 524EFI).
	Il cavo dell'acceleratore è regolato in modo errato.
La trasmissione non dispone di sufficiente potenza	La presa d'aria fredda o le alette di raffreddamento della trasmissione sono bloccate.
	Non c'è olio nella trasmissione o il livello dell'olio è troppo basso. Vedere <i>Per effettuare un controllo del livello dell'olio della trasmissione alla pagina 135.</i>
La batteria non si ricarica	La batteria è difettosa. Vedere <i>Sicurezza batterie alla pagina 112.</i>
	Il collegamento in corrispondenza dei connettori del cavo sui morsetti della batteria è difettoso. Vedere <i>Sicurezza batterie alla pagina 112.</i>
Si verificano vibrazioni nel prodotto	Le lame sono allentate. Vedere <i>Per esaminare le lame alla pagina 133.</i>
	Una o più lame non sono bilanciate. Vedere <i>Per esaminare le lame alla pagina 133.</i>
	Il motore è allentato.

Problema	Causa
Il risultato del taglio è insoddisfacente	Le lame non sono affilate. Vedere <i>Per sostituire le lame alla pagina 133</i> .
	L'erba è alta o bagnata. Vedere <i>Per ottenere un buon risultato di taglio alla pagina 120</i> .
	Il piatto di taglio è disallineato.
	C'è dell'erba bloccata nel piatto di taglio. Vedere <i>Pulizia del prodotto alla pagina 122</i> .
	La pressione degli pneumatici è diversa sui lati destro e sinistro. Vedere <i>Pressioni degli pneumatici alla pagina 128</i> .
	Il prodotto funziona a un regime troppo elevato. Vedere <i>Per ottenere un buon risultato di taglio alla pagina 120</i> .
	Il regime del motore è troppo basso. Vedere <i>Per ottenere un buon risultato di taglio alla pagina 120</i> .
La cinghia di trasmissione slitta.	

Problemi relativi alle spie di avvertenza su P 524EFI

Problema	Sintomo	Causa
Il regime del motore viene ridotto al minimo e la spia di avvertenza di guasto del motore è accesa	Il motore è surriscaldato.	È presente dello sporco sulle pareti interne del vano motore.
		Il sensore o il circuito di temperatura è difettoso.
	La tensione della batteria non è corretta.	La batteria è troppo debole o è difettosa. Vedere <i>Per caricare la batteria alla pagina 127</i> .
		La tensione di alimentazione o il sistema di ricarica è difettoso.
	Il sensore di ingresso per l'acceleratore a mano non funziona correttamente.	Il cablaggio è errato o il sensore è guasto.
	L'ECU interna/il corpo farfallato non funzionano correttamente.	Il comando della valvola dell'acceleratore è difettoso.
La posizione del sensore dell'acceleratore è difettosa.		
Il regime del motore viene ridotto al regime minimo e la spia di avvertenza di bassa pressione dell'olio si accende	Il motore rileva il fuori giri.	Il regime del motore è superiore alla velocità massima.
	La pressione dell'olio è troppo bassa.	Il livello dell'olio è basso. Fare riferimento a <i>Controllo del livello dell'olio motore alla pagina 133</i>
		L'interruttore o il circuito dell'olio sono difettosi.
		Il sistema di lubrificazione è difettoso.

Trasporto, stoccaggio e smaltimento

Trasporto

- Il prodotto ha un peso elevato e può causare lesioni da schiacciamento. Prestare attenzione durante il caricamento su un veicolo o rimorchio o durante lo scaricamento.
- Utilizzare un rimorchio omologato per il trasporto del prodotto.
- Accertarsi di conoscere le norme sulla circolazione stradale prima del trasporto del prodotto in un rimorchio o su strada.

Per fissare il prodotto in modo sicuro a un rimorchio per il trasporto



AVVERTENZA: Il freno di stazionamento non è sufficiente per bloccare il prodotto durante il trasporto. Fissare saldamente il prodotto al rimorchio.

Attrezzatura: 2 cinghie di tensionamento approvate e 4 blocchi fermaruote a forma di cuneo.

1. Azionare il freno di stazionamento.
2. Fissare le cinghie di tensionamento intorno al telaio o al vagone posteriore.
3. Stringere le cinghie di tensionamento in direzione della parte posteriore e anteriore del rimorchio per fissare il prodotto.
4. Posizionare i fermaruote davanti e dietro alle ruote posteriori.

Per il traino del prodotto

Il prodotto è dotato di trasmissione idrostatica. Per evitare danni alla trasmissione, rimorchiare il prodotto solo per brevi distanze e a bassa velocità.

Disinserire la trasmissione durante il traino. Vedere *Per rilasciare e applicare la pressione idraulica alla pagina 115*.

Archiviazione

Preparare il prodotto per il rimessaggio al termine della stagione e in caso di inutilizzo per un periodo superiore a 30 giorni. Se si lascia il carburante all'interno del serbatoio del carburante per 30 giorni o più, le particelle appiccicose possono creare intasamenti nel carburatore. Ciò ha un effetto negativo sul funzionamento del motore.

Per evitare la formazione di particelle appiccicose durante il rimessaggio, aggiungere uno stabilizzatore. Se si utilizza benzina alchilata, lo stabilizzatore non è necessario. Se si utilizza benzina standard, non passare alla benzina alchilata. Ciò può causare l'indurimento dei componenti sensibili di gomma. Aggiungere lo stabilizzatore alla benzina nel serbatoio o nel contenitore utilizzato per lo stoccaggio. Utilizzare sempre i rapporti di miscelazione indicati dal produttore.

Far girare il motore per almeno 10 minuti dopo aver aggiunto lo stabilizzatore fino a quando non scorre nel carburatore.



AVVERTENZA: Non conservare il prodotto con del carburante nel serbatoio in un luogo chiuso o in luoghi con scarsa circolazione d'aria. Se i vapori tossici entrano a contatto con fiamme, scintille o fiamme pilota, come ad esempio in caldaie, serbatoi d'acqua calda e asciugatrici, sussiste il rischio di incendio.



AVVERTENZA: Rimuovere l'erba, le foglie e altri materiali infiammabili dal prodotto per ridurre il rischio di incendio. Lasciare che il prodotto si raffreddi prima del rimessaggio.

- Pulire il prodotto, vedere *Pulizia del prodotto alla pagina 122*. Ritoccare la vernice danneggiata per evitare la corrosione.
- Esaminare il prodotto per verificare la presenza di parti usurate o danneggiate e serrare le viti e i dadi allentati.
- Rimuovere la batteria. Pulirla, caricarla e conservarla in un luogo fresco durante il rimessaggio.
- Cambiare l'olio motore e smaltire l'olio di scarico.
- Svuotare il serbatoio del carburante. Avviare il motore e farlo girare fino a quando non si esaurisce tutto il carburante nel carburatore.

Nota: Non svuotare il serbatoio del carburante e il carburatore se si è aggiunto lo stabilizzatore.

- Rimuovere i tappi e versare circa un cucchiaino di olio motore in ogni cilindro. Ruotare manualmente l'albero motore per applicare uniformemente l'olio e riavvitare i tappi.
- Lubrificare tutti gli ingrassatori, i giunti e gli assali.
- Conservare il prodotto in un'area pulita e asciutta e coprirlo per una maggiore protezione.
- Un coperchio per proteggere il prodotto durante lo stoccaggio o il trasporto è disponibile presso il proprio rivenditore.

Smaltimento

- Le sostanze chimiche possono essere pericolose e non devono essere disperse nel suolo. Smaltire sempre le sostanze chimiche utilizzate presso un centro di assistenza o un centro di smaltimento autorizzato.
- Quando il prodotto è usurato, inviarlo al rivenditore o a un centro di riciclaggio autorizzato.
- Olio, filtri dell'olio, carburante e batteria possono contaminare l'ambiente. Rispettare le norme locali sul riciclaggio e le normative vigenti.

- Non smaltire la batteria come un rifiuto domestico.
- Inviare la batteria a un'officina Husqvarna o smaltirla in un centro specializzato nello smaltimento delle batterie usate.

Dati tecnici

Dati tecnici

	P 524	P 524EFI
Dimensioni , inoltre fare riferimento a <i>Dimensioni del prodotto alla pagina 147</i>		
Lunghezza senza piatto di taglio, mm	2058	2058
Peso senza piatto di taglio, con serbatoi vuoti, kg	427	432
Dimensioni degli pneumatici	18x8,50x8	18x8,50x8
Pressioni degli pneumatici, posteriore - anteriore, kPA / bar / psi	100 / 1,0 / 14,5	100 / 1,0 / 14,5
Pendenza massima, gradi °	10	10
Motore		
Marca / Modello	Kawasaki / V-Twin, FX691V-KME09023	Kawasaki / V-Twin, FX730V EFI-KME01609-C1
Potenza nominale motore, kW ⁹	13,9	15,6
Cilindrata, cm ³	726	726
Massimo regime del motore, giri/min	3000 +/- 75	3000 +/- 75
Massima velocità di avanzamento, km/h	13	13
Carburante, numero minimo di ottani senza piombo	95 (metanolo max 5%, etanolo max 10%, MTBE max 15%)	95 (metanolo max 5%, etanolo max 10%, MTBE max 15%)
Volume serbatoio, litri	22	22
Olio, classe API CD o superiore	SAE 10W/40	SAE 10W/40
Volume dell'olio filtro incluso, litri	2,1	2,1
Volume dell'olio filtro escluso, litri	1,8	1,8
Motorino di avviamento	Avviamento elettrico 12 V	Avviamento elettrico 12 V
Trasmissione		
Marca / Modello	Kanzaki / KTM 23	Kanzaki / KTM 23
Olio, classe API SM, ACEA A3/B4	SAE 10W/50 Synthetic	SAE 10W/50 Synthetic
Capacità olio trasmissione anteriore, litri	0,9	0,9
Capacità olio trasmissione posteriore, litri	0,9	0,9
Impianto idraulico		
Max. pressione di esercizio, bar/psi	120/1740	120/1740
Capacità del serbatoio idraulico, litri	8	8
Capacità dell'impianto idraulico, litri	13	13

⁹ La potenza nominale del motore indicata corrisponde alla potenza netta media (al rapporto giri/min. specificato) di un tipico motore in fase di produzione per il modello di motore misurato dalla normativa SAE J1349/ISO1585. I motori per produzione di massa potrebbero presentare un valore diverso da questo. La potenza effettiva del motore installato nel prodotto finale dipende dalla velocità di funzionamento, dalle condizioni ambientali e da altri valori.

	P 524	P 524EFI
Olio, classe API SM o superiore	SAE 10W/50 Synthetic	SAE 10W/50 Synthetic
Impianto elettrico		
Tipo	12 V, messa a terra negativa	12 V, messa a terra negativa
Batteria	12 V, 24 Ah	12 V, 24 Ah
Candela	NGK BPR4ES	NGK BPR4ES
Fusibile principale, tipo piatto, A	20	20
Fusibile per presa di corrente, tipo piatto, A	5	5
Distanza tra gli elettrodi, mm/poll.	0,75/0,030	0,75/0,030
Lampadine	LED, 2×12V 4,6–6,5W, GU5.3, MR16	LED, 2×12V 4,6–6,5W, GU5.3, MR16
Piatto di taglio		
Tipo	Combi 103	Combi 122
	Combi 112	
	Combi 122	

Piatto di taglio	Combi 103	Combi 112	Combi 122
Larghezza di taglio, mm	1030	1120	1220
Altezza di taglio, 7 posizioni, mm	25–80	25–80	25–80
Larghezza, mm	1120	1220	1330
Peso, kg	49	56	64
Lama			
Lunghezza, mm	383	420	454
Codice articolo	5041904-10	5041878-10	5354294-10
Emissioni di rumore¹⁰			
Livello potenza acustica, misurato dB(A)	99	99	102
Livello potenza acustica, garantito dB(A)	100	100	104
Livelli di rumorosità¹¹			
Livello di pressione acustica all'orecchio dell'operatore, dB(A)	86	85	89
Livelli di vibrazioni¹²			
Livello di vibrazioni sul volante, m/s ²	1,7	1,7	1,7

¹⁰ Emissioni di rumore nell'ambiente misurate come potenza sonora (L_{WA}) in base alla direttiva CE 2000/14/CE.

¹¹ Livello di pressione acustica in ottemperanza alla norma EN ISO 5395. I dati riportati per il livello di pressione acustica hanno una dispersione statistica tipica (deviazione standard) di 1,2 dB(A).

¹² Livello di vibrazioni in ottemperanza alla norma EN ISO 5395. I dati riportati per il livello di vibrazioni hanno una dispersione statistica tipica (deviazione standard) di 0,2 m/s² (volante) e 0,8 m/s² (sedile).

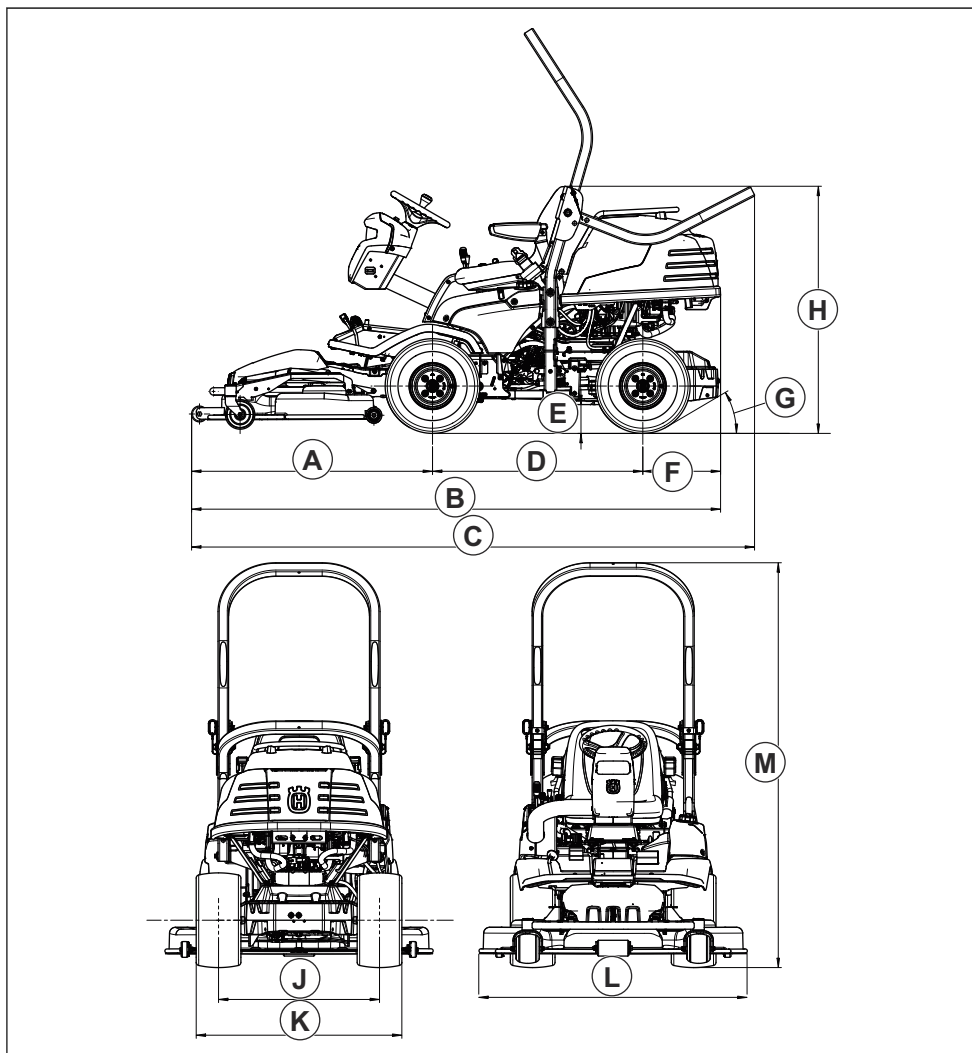
Piatto di taglio	Combi 103	Combi 112	Combi 122
Livello di vibrazioni sul sedile, m/s^2	0,7	0,7	0,7



AVVERTENZA: Utilizzare un piatto di taglio non omologato per il prodotto può causare l'espulsione ad alta velocità di oggetti e

lesioni gravi. Non utilizzare tipi di piatti di taglio diversi da quelli indicati in questo manuale dell'operatore.

Dimensioni del prodotto



Le dimensioni, piatto di taglio incluso, sono misurate con il piatto di taglio Combi 122 montato.

A	1145 mm	D	1000 mm	G	30°	K	977 mm
B	2514 mm	E	137 mm	H	1174 mm	L	1275 mm
C	2675 mm	F	370 mm	J	765 mm	M	1924 mm

Accessori

Le istruzioni di manutenzione di attrezzatura o accessori opzionali non sono riportate in questo manuale

dell'operatore. Per le istruzioni sugli accessori o sull'attrezzatura vedere il manuale dell'operatore.

Assistenza

Eseguire un controllo annuale presso un centro di assistenza autorizzato per assicurarsi che il prodotto funzioni in modo sicuro e al meglio durante l'alta stagione. Il momento migliore per eseguire la manutenzione o la revisione del prodotto è la bassa stagione.

Quando si ordinano i ricambi, fornire le informazioni sull'anno di acquisto, il modello, il tipo e il numero di serie.

Utilizzare sempre ricambi originali.

Garanzia

Garanzia della trasmissione

La garanzia della trasmissione è valida solo se vengono eseguiti i controlli della velocità di rotazione delle ruote anteriori e posteriori come indicato nel programma di manutenzione. Per evitare di danneggiare il sistema di trasmissione, è necessario affidarne la regolazione a un'officina autorizzata.

Dichiarazione CE di conformità

Dichiarazione di conformità CE

Husqvarna AB, SE-561 82 Huskvarna, Svezia, tel.: +46-36-146500, dichiara che i **trattorini rasaerba Husqvarna P 524 e P 524EFI** con numero di serie a partire da 2018 (la targhetta dei dati di funzionamento indica chiaramente anno e numero di serie) sono conformi alle norme previste nelle seguenti DIRETTIVE DEL CONSIGLIO:

- del 17 maggio 2006 "sulle macchine" **2006/42/CE**
- del 26 febbraio 2014 "sulla compatibilità elettromagnetica" **2014/30/UE**
- dell'8 maggio 2000 "sull'emissione di rumore nell'ambiente" **2000/14/CE**

Informazioni relative alle emissioni di rumore e alla larghezza di taglio, vedere Dati tecnici.

Sono state applicate le seguenti norme armonizzate:

EN ISO 12100, EN ISO 5395-1, EN ISO 5395-3

Se non diversamente specificato, le norme sopra elencate sono le ultime versioni pubblicate.

Organo competente: **0404, RISE SMP Svensk Maskinprovning AB, Box 7035, SE-750 07 Uppsala** ha pubblicato rapporti relativi all'attestazione della conformità in base all'allegato VI della DIRETTIVA DEL CONSIGLIO dell'8 maggio 2000 "sull'emissione di rumore nell'ambiente" 2000/14/CE.

I certificati portano i numeri: 01/901/141, 01/901/308

Huskvarna, 2018-05-18



Claes Losdal, Responsabile sviluppo/Prodotti per il giardino (rappresentante autorizzato per Husqvarna AB e responsabile della documentazione tecnica)

ÍNDICE

Introdução.....	150	Especificações técnicas.....	195
Segurança.....	157	Acessórios.....	199
Montagem.....	163	Assistência.....	199
Funcionamento.....	164	Garantia.....	199
Manutenção.....	169	Declaração CE de conformidade.....	200
Resolução de problemas.....	190	0
Transporte, armazenamento e eliminação.....	193		

Introdução

Inspecção pré-entrega e números de produto

assinada do documento de inspecção pré-entrega do seu concessionário.

Nota: Foi realizada uma inspecção pré-entrega deste produto. Certifique-se de que recebe uma cópia

Informação de contacto da oficina autorizada:	
Este manual do utilizador pertence ao produto com o número de produto/número de série:	
/	
Motor:	
Transmissão:	

Descrição do produto

O produto é um trator corta-relva. Os pedais de marcha em frente e de marcha-atrás permitem que o utilizador ajuste a velocidade facilmente. Um contador de horas apresenta o número de horas durante as quais o operador utilizou o produto. O produto inclui faróis, tração integral (AWD) e é utilizado com plataformas de corte Combi com BioClip.

Finalidade

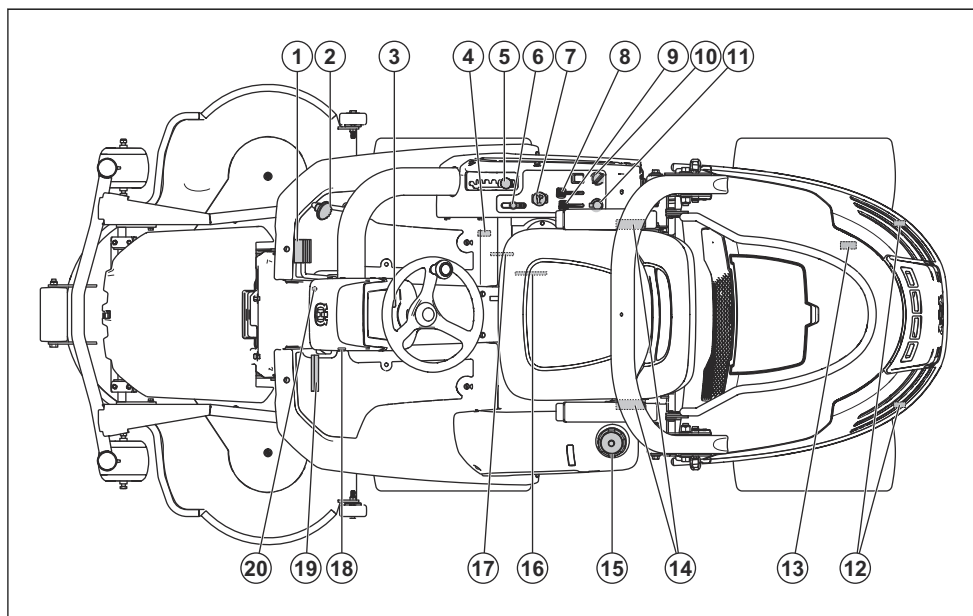
O produto foi concebido para cortar relva em áreas abertas e planas em jardins e zonas residenciais. Fixe

um acessório opcional para utilizar o produto para outras tarefas. Fale com o seu revendedor Husqvarna para obter mais informações sobre os acessórios disponíveis.

Faça um seguro para o seu produto

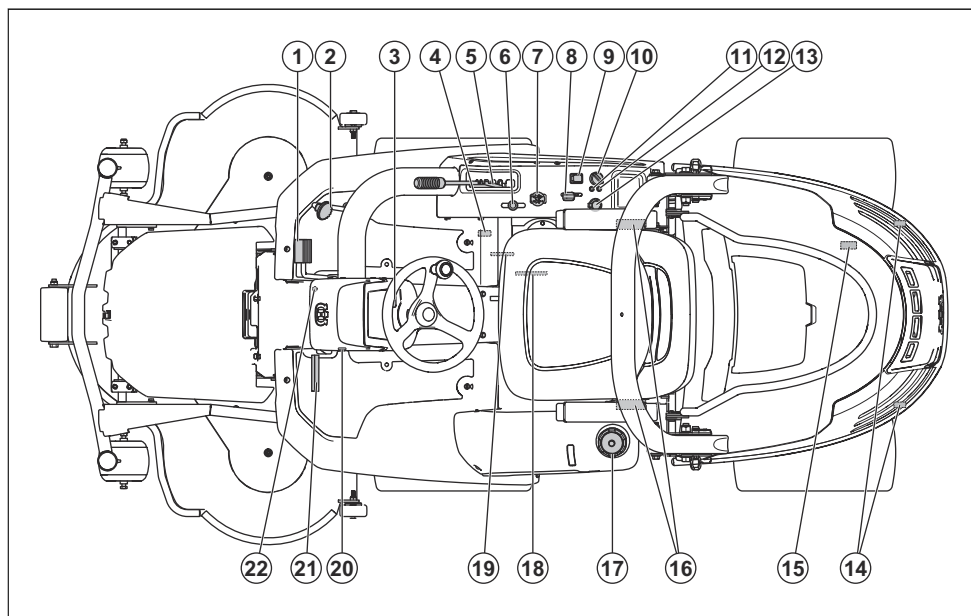
Certifique-se de que o seu seguro cobre o seu novo produto. Fale com a sua companhia de seguros caso não tenha a certeza. Recomendamos um seguro totalmente abrangente que inclua proteção contra terceiros, incêndios, danos, roubo e responsabilidade civil.

Vista geral do produto P 524



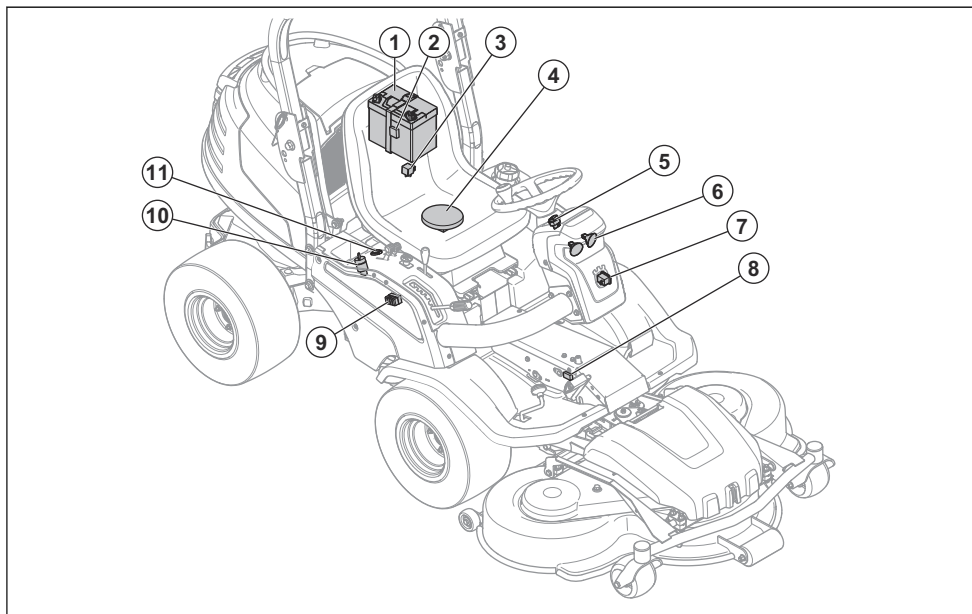
1. Pedal de marcha em frente
2. Pedal de marcha-atrás
3. Interruptor das luzes
4. Válvula de derivação para engatar e desengatar a transmissão no eixo dianteiro
5. Alavanca da altura de corte
6. Alavanca de elevação da bancada de corte
7. Botão da TDF, início e paragem da plataforma de corte
8. Acelerador
9. Controlo do estrangulador
10. Fechadura da ignição
11. Tomada de alimentação de 12 V
12. Fecho da proteção
13. Válvula de derivação para engatar e desengatar a transmissão no eixo traseiro
14. Cinto de segurança
15. Tampa do depósito de combustível
16. Ajuste do banco
17. Etiqueta de tipo
18. Contador de horas
19. Travão de estacionamento
20. Botão de bloqueio do travão de estacionamento

Vista geral do produto P 524EFI



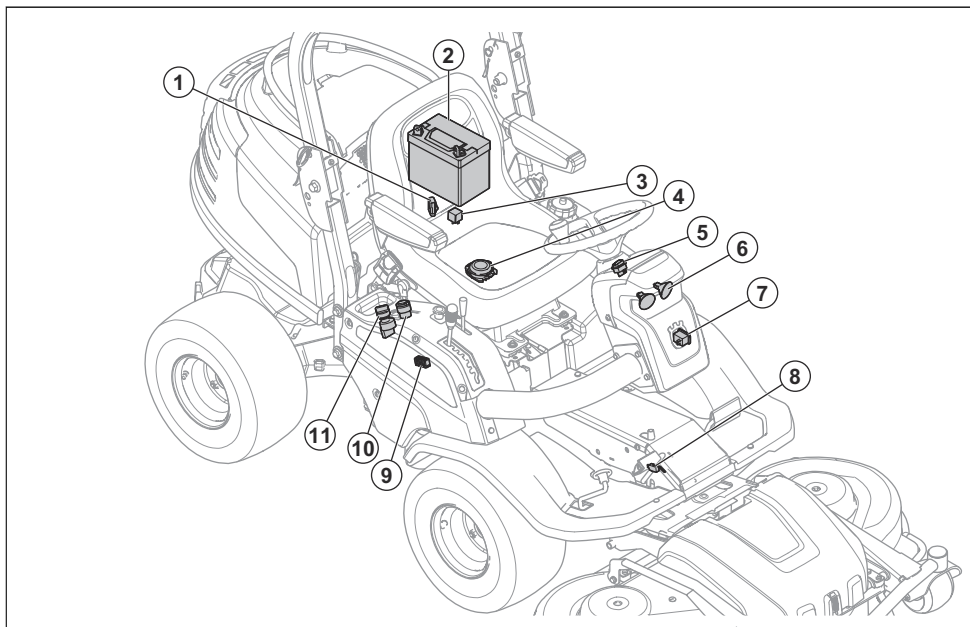
1. Pedal de marcha em frente
2. Pedal de marcha-atrás
3. Interruptor das luzes
4. Válvula de derivação para engatar e desengatar a transmissão no eixo dianteiro
5. Alavanca da altura de corte
6. Alavanca de elevação da bancada de corte
7. Botão da TDF, início e paragem da plataforma de corte
8. Acelerador
9. Interruptor para ligar/desligar a tomada de alimentação
10. Fechadura da ignição
11. Luz de aviso de pressão baixa do óleo
12. Luz de aviso de avaria no motor
13. Tomada de alimentação de 12 V
14. Fecho da proteção
15. Válvula de derivação para engatar e desengatar a transmissão no eixo traseiro
16. Cinto de segurança
17. Tampa do depósito de combustível
18. Ajuste do banco
19. Etiqueta de tipo
20. Contador de horas
21. Travão de estacionamento
22. Botão de bloqueio do travão de estacionamento

Vista geral do sistema elétrico P 524



- | | |
|--|--|
| 1. Bateria | 7. Contador de horas |
| 2. Fusível principal, 20 A | 8. Micro-interruptor da transmissão hidrostática |
| 3. Relé | 9. Suporte do fusível |
| 4. Interruptor de segurança para o banco | 10. Fechadura da ignição |
| 5. Interruptor das luzes | 11. Tomada de alimentação, 12 V |
| 6. Faróis | |

Vista geral do sistema elétrico, P 524EFI



1. Fusível principal, 20 A
2. Bateria
3. Relé
4. Interruptor de segurança para o banco
5. Interruptor das luzes
6. Faróis
7. Contador de horas
8. Micro-interruptor da transmissão hidrostática
9. Suporte do fusível
10. Fechadura da ignição
11. Tomada de alimentação, 12 V

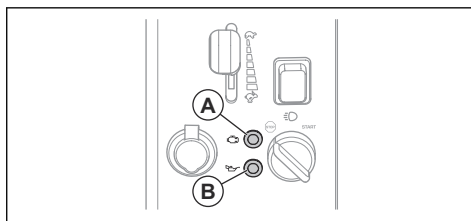
Luzes de aviso no painel de controlo, P 524EFI

O motor do modelo P 524EFI tem um sistema de injeção eletrónica do combustível. As 2 luzes no painel de controlo mostram se existem problemas no motor.



CUIDADO: Se uma lâmpada do painel de controlo se acender, pare o motor e consulte a secção *Resolução de problemas na página 190*.

- A: Avaria no motor
- B: Baixa pressão do óleo



Contador de horas

O contador de horas apresenta o número de horas de funcionamento do motor. O tempo passado com a ignição ligada mas com o motor desligado não é registado. O último dígito indica décimos de hora (6 minutos).

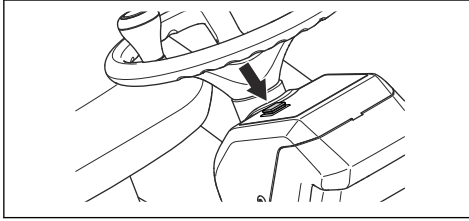
Tomada de alimentação

A tensão da tomada de alimentação é de 12 V. A tomada de alimentação utiliza um fusível, consulte a secção *Substituir um fusível na página 177*.

Ligue e desligue a tomada de alimentação utilizando o interruptor de alimentação situado no painel de controlo.

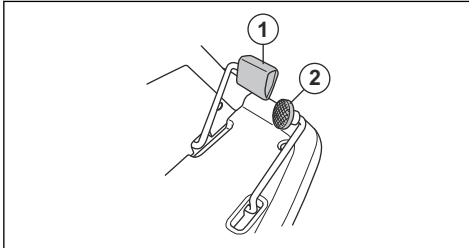
Faróis

O interruptor de alimentação dos faróis situa-se no painel do volante.



Pedais de marcha em frente e marcha-atrás

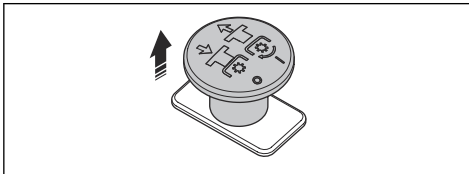
A velocidade é gradualmente ajustada com os 2 pedais. O pedal esquerdo (1) é utilizado para a marcha em frente e o pedal direito (2) é utilizado para a marcha-atrás. O produto trava quando liberta os pedais.



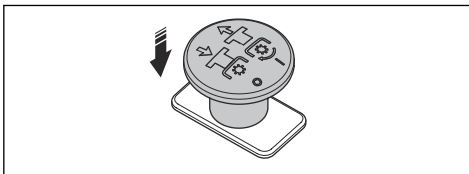
Botão da TDF (Tomada de força)

O botão da TDF inicia e para a plataforma de corte. O operador tem de estar sentado para iniciar a plataforma de corte.

Puxe o botão da TDF para fora para engatar a transmissão nas lâminas da plataforma de corte.



Prima o botão da TDF para desengatar a transmissão das lâminas da plataforma de corte.

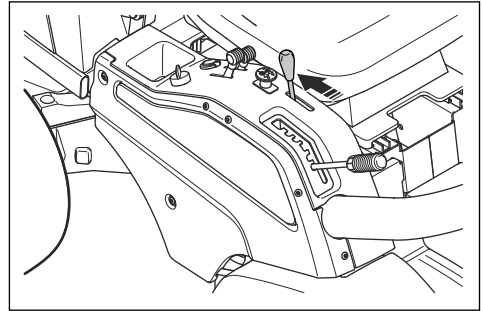


Consulte também a secção *Verificar o circuito de segurança na página 160.*

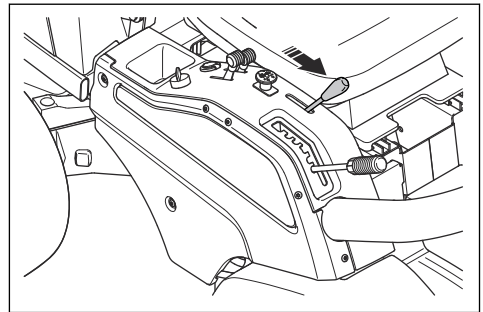
Alavanca de elevação da bancada de corte

A alavanca de elevação é utilizada para levantar e baixar a plataforma de corte. O produto utiliza pressão hidráulica para levantar a plataforma de corte. Para utilizar a alavanca de elevação, ligue o motor e prima o botão da TDF.

Quando coloca a alavanca de elevação na posição de transporte, a plataforma de corte levanta e as lâminas param em, aproximadamente, 5 segundos.



Quando coloca a alavanca de elevação na posição de corte, a plataforma de corte baixa e as lâminas começam a rodar.



Bancada de corte

As plataformas de corte para este produto são plataformas de corte combinadas com BioClip. O BioClip corta a relva e torna-a em fertilizante. As plataformas de corte combinadas também podem ser utilizadas sem o BioClip. Sem o BioClip, a relva é projetada para a parte traseira.

Símbolos no produto



AVISO: A utilização indevida ou incorreta poderá provocar ferimentos graves ou até mesmo a morte do utilizador ou de terceiros.



Leia o manual do utilizador com atenção e certifique-se de que compreende as instruções antes de utilizar o produto.



Lâminas rotativas. Mantenha as partes do seu corpo afastadas da cobertura quando o motor estiver ligado.



Aviso: peças rotativas. Mantenha as partes do seu corpo afastadas.



Superfície quente.



Não toque.



Puxe o grampo para remover a proteção do motor.



Nunca utilize o produto junto a animais ou pessoas, em especial crianças.



Nunca corte relva ao longo de um declive. Não corte relva em terrenos com um declive superior a 10°. Consulte o capítulo *Cortar relva em declives na página 161*.



Nunca transporte passageiros no produto ou equipamento.



Opere o produto muito devagar se não tiver uma plataforma de corte aplicada.



Opere o produto à velocidade máxima se tiver uma plataforma de corte aplicada.



Marcha em frente.



Neutro.



Marcha-atrás.



Este produto está em conformidade com as diretivas aplicáveis da CE.



Emissões de ruído para o meio ambiente de acordo com a directiva da Comunidade Europeia. As emissões do produto são indicadas no capítulo de Especificações técnicas e na etiqueta.



Utilize sempre protetores acústicos aprovados.



Estrangulador (P 524).



Desligue o motor.

START

Ligue o motor.



Luz de aviso de avaria no motor (P 524EFI).



Luz de aviso de pressão baixa do óleo (P 524EFI).



Velocidade do motor – rápida.



Velocidade do motor – lenta.



Posição de manutenção da bancada de corte.



Posição de funcionamento da plataforma de corte.



Altura de corte.



Posição de assistência.



As lâminas estão ativadas.



As lâminas não estão ativadas.



Nível do óleo.



Desligue o motor e remova o cabo da vela de ignição antes de realizar tarefas de reparação ou manutenção.



Verifique o nível do óleo de motor.



Verifique o nível do óleo de motor.



Travão de estacionamento.



Prima o botão da TDF.



Não utilize o cinto de segurança se a ROPS estiver desengatada.



Utilize sempre o cinto de segurança se a ROPS estiver engatada.



Nota: Os restantes símbolos/autocolantes existentes no produto dizem respeito a requisitos para homologação em algumas áreas comerciais.

Responsabilidade pelo produto

Como referido nas leis de responsabilidade pelo produto, não somos responsáveis por danos causados pelo nosso produto se:

- o produto tiver sido incorretamente reparado.
- o produto tiver sido reparado com peças que não sejam do fabricante ou que não sejam aprovadas pelo fabricante.
- o produto tiver um acessório que não seja do fabricante ou que não seja aprovado pelo fabricante.
- o produto não tiver sido reparado por um centro de assistência autorizado ou por uma autoridade aprovada.

Segurança

Definições de segurança

Os avisos, as precauções e as notas são utilizados para indicar partes especialmente importantes do manual.



ATENÇÃO: Utilizado no caso de existir risco de ferimento ou morte para o utilizador ou transeuntes, se não forem respeitadas as instruções do manual.



CUIDADO: Utilizado se existir risco de danos para o produto, para outros materiais ou para a área adjacente, se não forem respeitadas as instruções do manual.

Nota: Utilizado para disponibilizar informações adicionais necessárias numa determinada situação.

Instruções de segurança gerais



ATENÇÃO: Este produto pode amputar mãos e pés, e projetar objetos. Se não respeitar as instruções de segurança, tal pode resultar em ferimentos graves ou morte.



ATENÇÃO: Não continue a utilizar o produto com um equipamento de corte danificado. O equipamento de corte danificado pode projetar objetos e causar ferimentos graves ou a morte. Substitua as lâminas danificadas de imediato.



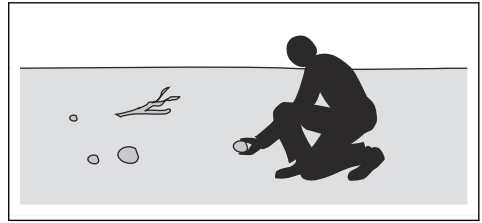
ATENÇÃO: Este produto produz um campo eletromagnético durante o funcionamento. Em determinadas circunstâncias, este campo pode interferir com o funcionamento de implantes médicos ativos ou passivos. Para diminuir o risco de ferimentos graves ou mortais, recomendamos que os portadores de implantes médicos consultem

o seu médico e o fabricante do implante antes de utilizar este produto.



ATENÇÃO: Leia as instruções de aviso que se seguem antes de utilizar o produto.

- Seja sempre cuidadoso e use o seu senso comum. Evite todas as situações que considere estarem para além das suas capacidades. Se não se sentir seguro quanto aos procedimentos de funcionamento após a leitura do manual do utilizador, consulte um especialista antes de continuar.
- Leia e compreenda o manual do utilizador e as instruções presentes no produto com atenção antes de o ligar.
- Aprenda a utilizar o produto e os respetivos controlos em segurança, e saiba como parar o produto rapidamente.
- Aprenda a reconhecer os autocolantes de segurança.
- Mantenha o produto limpo para se certificar de que consegue ler bem os sinais e os autocolantes.
- Tenha em atenção que o utilizador é responsável pelos acidentes que incluam outras pessoas ou a respetiva propriedade.
- Não transporte passageiros. O produto apenas pode ser utilizado por uma pessoa.

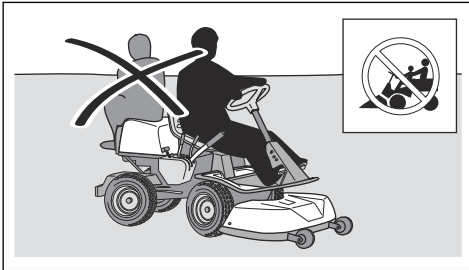


- Não permita a utilização ou a manutenção do produto por crianças ou outras pessoas sem aprovação para utilizar o produto. A legislação local pode regular a idade do utilizador permitida.
- Certifique-se de que ninguém permanece nas imediações do produto quando ligar o motor, ativar a transmissão ou começar a deslocar o produto.
- Esteja atento ao trânsito ao cortar junto a uma estrada ou atravessar uma estrada.
- Não utilize o produto quando estiver cansado, sob o efeito de álcool ou drogas, tiver tomado medicamentos ou outros produtos que possam afetar negativamente a sua visão, atenção, capacidade de discernimento ou o seu controlo físico.
- Estacione sempre o produto numa superfície nivelada com o motor parado.

Instruções de segurança relativamente a crianças

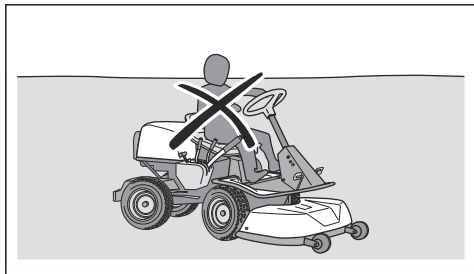


ATENÇÃO: Leia as instruções de aviso que se seguem antes de utilizar o produto.



- Não deixe o produto sem supervisão com o motor ligado. Pare sempre as lâminas, aplique o travão de estacionamento, pare o motor e retire a chave de ignição antes de deixar a máquina sem supervisão.
- Apenas utilize o produto durante o dia ou em condições de boa iluminação. Mantenha o produto a uma distância de segurança de orifícios ou outras irregularidades no solo. Tenha atenção com outros possíveis riscos.
- Não utilize o produto em condições atmosféricas desfavoráveis, por exemplo, nevoeiro, chuva, localizações molhadas ou com humidade, ventos fortes, frio intenso, risco de trovoada, etc.
- Procure e marque as pedras e outros objetos fixos para prevenir colisões.
- Retire da área quaisquer objetos como pedras, brinquedos, fios, etc., que possam ficar presos ou ser projetados.

- Podem ocorrer acidentes graves se não prestar atenção às crianças que se encontram nas proximidades do produto. As crianças podem ser atraídas pelo produto e pelo corte da relva. É muito provável que as crianças não se mantenham onde as viu pela última vez.
- Mantenha as crianças afastadas da área a cortar. Certifique-se de que está presente um adulto responsável pelas crianças.
- Mantenha-se vigilante e pare o produto caso se encontrem crianças na zona de trabalho. Tenha muito cuidado perto de cantos, arbustos, árvores ou outros objetos que previnam uma visão clara.
- Antes e durante a deslocação do produto em marcha-atrás, olhe para trás e para baixo para se certificar de que não estão presentes crianças pequenas nas proximidades do produto.
- Não permita o transporte das crianças. Podem cair e sofrer ferimentos graves ou prevenir a realização de manobras seguras do produto.
- Não permita que as crianças operem o produto.



- Utilize equipamento de proteção pessoal aprovado ao utilizar o produto. O equipamento de proteção pessoal não previne totalmente os ferimentos mas diminui a respetiva gravidade em caso de acidente. Obtenha ajuda junto do seu concessionário para seleccionar o equipamento certo.
- Utilize sempre protetores acústicos aprovados. A exposição prolongada a ruídos pode provocar danos auditivos permanentes.
- Utilize sempre sapatos ou botas de proteção. Recomenda-se calçado com biqueira de aço. Não utilize o produto se estiver descalço.

Instruções de segurança para funcionamento



ATENÇÃO: Não toque no motor ou no sistema de escape durante e diretamente após o funcionamento. O motor e o sistema de escape ficam muito quentes durante o funcionamento. Risco de queimaduras, incêndio e danos na propriedade ou nas áreas adjacentes. Ao utilizar o produto, mantenha-se afastado de arbustos e outros objetos.



ATENÇÃO: Leia as instruções de aviso que se seguem antes de utilizar o produto.

- Olhe sempre para baixo e para trás antes e durante as deslocações em marcha-atrás. Esteja atento aos obstáculos de todas as dimensões.
- Diminua a velocidade antes de fazer uma curva.
- Pare as lâminas quando se deslocar em zonas que não irá cortar.



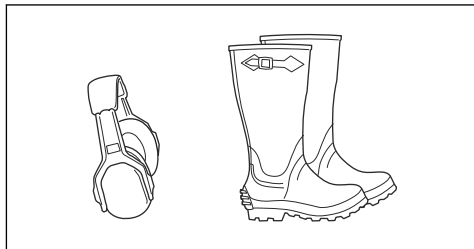
CUIDADO: Leia as instruções de precaução que se seguem antes de utilizar o produto.

- Antes de utilizar o produto, limpe a relva e a sujidade da admissão de ar frio do motor. Se a admissão de ar frio estiver obstruída, existe o risco de danos no motor.
- Desloque-se com cuidado junto a pedras e outros objetos de maiores dimensões e certifique-se de que as lâminas não embatem nos objetos.
- Não utilize o produto ao longo de objetos. Se utilizar o produto ao longo ou em algum objeto, pare e examine o produto e a plataforma de corte. Se necessário, repare quaisquer danos antes de recomeçar.

Equipamento de proteção pessoal



ATENÇÃO: Leia as instruções de aviso que se seguem antes de utilizar o produto.



- Utilize luvas sempre que necessário, por exemplo, ao fixar, examinar ou limpar o equipamento de corte.
- Não utilize vestuário largo, joias ou outros itens que possam ficar presos nas peças móveis.
- Mantenha equipamentos de primeiros socorros e um extintor de incêndio sempre à mão.

Dispositivos de segurança no produto



ATENÇÃO: Leia as instruções de aviso que se seguem antes de utilizar o produto.

- Não utilize o produto com dispositivos de segurança defeituosos. Verifique regularmente os dispositivos de segurança. Se os dispositivos de segurança estiverem defeituosos, fale com a sua oficina autorizada Husqvarna.
- Não realize modificações aos dispositivos de segurança. Não utilize o produto se as placas de proteção, as coberturas de proteção, os interruptores de segurança e outros dispositivos de proteção não estiverem fixos ou estiverem defeituosos.

Roll Over Protection Structure (ROPS) - Estrutura de proteção contra capotagem

A ROPS é uma estrutura de proteção que diminui o risco de ferimentos em caso de capotagem do produto. Utilize a ROPS e o cinto de segurança quando operar o produto em declives.

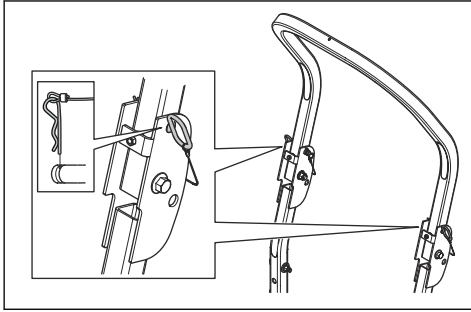
Cinto de segurança

O cinto de segurança previne os ferimentos se ocorrerem acidentes ou se o produto capotar. Utilize o

cinto de segurança apenas se a ROPS estiver engatada. Certifique-se de que o cinto de segurança está corretamente preso e não está danificado.

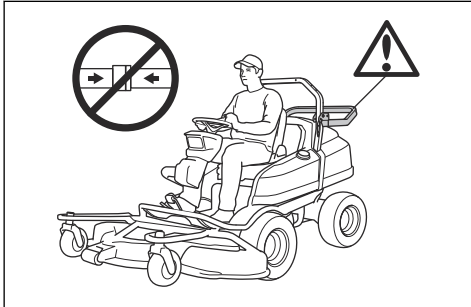
Engatar e desengatar a estrutura de proteção contra capotagem (ROPS)

- Remova os 2 pinos que prendem a ROPS e rebata-a para trás para desengatar. Engate a ROPS na sequência inversa.

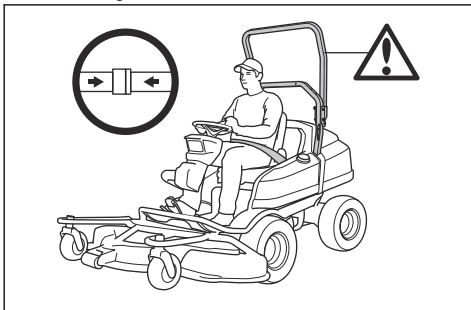


ATENÇÃO: Respeite as seguintes instruções relativas à ROPS e ao cinto de segurança.

- Não utilize o cinto de segurança se a ROPS estiver desengatada.



- Utilize sempre o cinto de segurança se a ROPS estiver engatada.



- Certifique-se de que a ROPS está corretamente presa e não está danificada.

Verifique a fechadura da ignição

- Ligue e desligue o motor para verificar a fechadura da ignição. Consulte as secções *Arrancar o motor, P 524 na página 166* e *Parar o motor na página 169*.
- Certifique-se de que o motor arranca quando roda a chave de ignição para a posição START.
- Certifique-se de que o motor para imediatamente quando roda a chave de ignição na posição STOP.

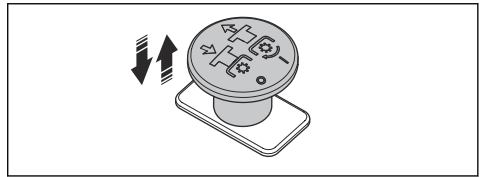
Verificar o circuito de segurança

O circuito de segurança garante que o motor apenas se liga em determinadas condições. A transmissão das lâminas tem de estar desengatada e o travão de estacionamento tem de estar aplicado.

O circuito de segurança para as lâminas se o operador se levantar do banco quando a plataforma de corte está em baixo.

- Inspeccione o circuito de segurança diariamente.
- Tente ligar o motor sem respeitar uma das condições mencionadas acima. Altere as condições e tente novamente. Se o circuito de segurança estiver a funcionar, o motor não se liga.
- Engate a transmissão nas lâminas e levante-se do banco. Se o circuito de segurança estiver a funcionar, as lâminas da plataforma de corte param.

Nota: Se o circuito de segurança parar as lâminas, prima e volte a puxar o botão da TDF para iniciar as lâminas.



Verificar o limitador de velocidade

- Solte o pedal de marcha em frente para travar.
- Para obter mais potência de travagem, prima o pedal de marcha-atrás.
- Certifique-se de que os pedais de marcha em frente e marcha-atrás não estão bloqueados e podem ser utilizados livremente.
- Certifique-se de que o produto trava quando liberta o pedal de marcha em frente.

Travão de estacionamento



ATENÇÃO: Se o travão de estacionamento não funcionar, o produto pode começar a deslocar-se e causar ferimentos ou danos. Certifique-se de que examina e ajusta regularmente o travão de estacionamento.

Consulte o capítulo *Verificar o travão de estacionamento na página 175.*

Silenciador

O silenciador mantém o mais baixo nível de ruído possível e afasta os gases de escape do utilizador.

Não utilize o produto se o silenciador estiver defeituoso ou estiver em falta. Um silenciador defeituoso aumenta o nível de ruído e o risco de incêndio.

Examine o silenciador regularmente para se certificar de que está bem fixo e não está danificado.



CUIDADO: O silenciador fica muito quente durante e após a utilização e quando o motor funciona ao ralenti. Tenha cuidado junto de materiais inflamáveis e/ou vapores para evitar incêndios.

Coberturas de proteção

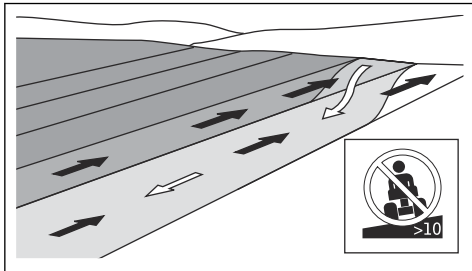
As coberturas de proteção danificadas ou em falta aumentam o risco de ferimentos em peças móveis ou superfícies quentes. Verifique as coberturas de proteção antes de utilizar o produto. Certifique-se de que as coberturas de proteção estão bem fixas e que não têm fissuras nem outros danos. Substituir as coberturas danificadas.

Cortar relva em declives

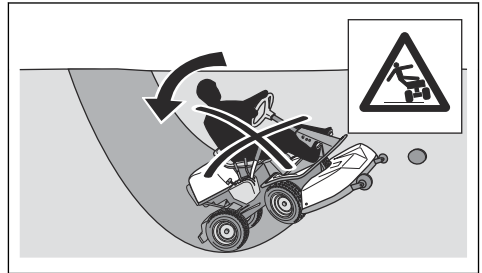


ATENÇÃO: Leia as instruções de aviso de que se seguem antes de utilizar o produto.

- Cortar relva em declives aumenta o risco de perda de controlo e de capotamento do produto. Estas ocorrências podem resultar em ferimentos ou morte. É necessário ter cuidado ao cortar relva em todos os declives. Se não conseguir sair de um declive ou se não se sentir em segurança, não corte nesse local.
- Retire pedras, ramos e outros obstáculos.
- Corte a relva a subir e a descer o declive, e nunca de lado a lado.
- Não corte um declive a descer com a bancada de corte levantada.
- Não utilize o produto em terrenos com um declive superior a 10°.



- Não arranque nem pare num declive.
- Desloque-se devagar e suavemente em declives.
- Não faça mudanças súbitas de velocidade ou de direção.
- Não vire mais do que o necessário. Vire lenta e gradualmente ao descer um declive. Desloque-se a baixa velocidade. Vire o volante com cuidado.
- Tenha atenção para não se deslocar sobre trincheiras, orifícios e lombas. Existe um risco mais elevado de capotamento do produto num piso desnivelado. A relva longa pode ocultar obstáculos.
- Não corte a relva próximo de bermas, valas ou inclinações. O produto pode capotar subitamente se uma das rodas se deslocar ao longo da bermas de um declive íngreme ou de uma vala, ou se uma bermas ceder. Se o produto cair em água, existe o risco de afogamento.



- Não corte relva molhada. É escorregadia e os pneus podem perder a aderência, provocando a derrapagem do produto.
- Não coloque o pé no chão para tentar estabilizar o produto.
- Desloque-se com muito cuidado se um acessório ou outro objeto que torne o produto menos estável estiver fixo.
- Para aumentar a estabilidade, coloque contrapesos. Para mais informações, fale com o revendedor.

Segurança no manuseamento do combustível



ATENÇÃO: Tenha cuidado com o combustível. É muito inflamável e pode causar ferimentos e danos na propriedade.



ATENÇÃO: Leia as instruções de aviso de que se seguem antes de utilizar o produto.

- Não encha o depósito de combustível no interior.
- A gasolina e os respetivos vapores são venenosos e muito inflamáveis. Tenha cuidado com a gasolina para evitar ferimentos ou incêndios.
- Não retire a tampa do depósito de combustível nem encha o depósito de combustível com o motor em funcionamento.

- Deixe o motor arrefecer antes de voltar a abastecer o combustível.
- Não fume quando estiver a encher o depósito de combustível.
- Não encha o depósito de combustível junto a faíscas ou chamas abertas.
- Se existirem fugas no sistema de combustível, não ligue o motor até que as fugas estejam reparadas.
- Não encha acima do nível de combustível recomendado. Se o depósito estiver demasiado cheio, o calor do motor e o sol faz com que o combustível se expanda e transborde.
- Não encha demasiado. Se derramar combustível no produto, limpe o derrame e aguarde que seque antes de ligar o motor. Se derramar na sua roupa, troque-a.
- Armazene o combustível apenas em recipientes aprovados.
- Armazene o produto e o combustível de forma a não existir o risco de danos causados por fugas ou vapores de combustível.
- Drene o combustível de um recipiente aprovado numa zona exterior e afastado de chamas abertas.

manutenção do motor ou da plataforma de corte sem reunir as seguintes condições:

- O motor está desligado.
- O produto está estacionado numa superfície nivelada.
- O travão de estacionamento encontra-se aplicado.
- A chave de ignição foi removida.
- A bancada de corte está desengatada.
- Os cabos da ignição foram removidos das velas.



ATENÇÃO: Os gases de escape do motor contêm monóxido de carbono, um gás inodoro, tóxico e altamente perigoso. Não utilize o produto em espaços fechados ou em espaços com um fluxo de ar insuficiente.



ATENÇÃO: Leia as instruções de aviso que se seguem antes de utilizar o produto.

Segurança da bateria



ATENÇÃO: Uma bateria danificada pode causar uma explosão e provocar ferimentos. Se a bateria estiver deformada ou danificada, fale com uma oficina autorizada Husqvarna.



ATENÇÃO: Leia as instruções de aviso que se seguem antes de utilizar o produto.

- Utilize óculos de proteção quando estiver perto de baterias.
- Não utilize relógios, joias ou outros objetos metálicos perto da bateria.
- Mantenha a bateria fora do alcance de crianças.
- Carregue a bateria num espaço com um bom fluxo de ar.
- Ao carregar a bateria, mantenha os materiais inflamáveis a uma distância mínima de 1 m.
- Elimine as baterias substituídas. Consulte o capítulo *Eliminação na página 193*.
- A bateria pode emitir gases explosivos. Não fume perto da bateria. Mantenha a bateria afastada de chamas abertas e faíscas.

- Para obter o melhor desempenho e segurança, efetue regularmente a manutenção do produto, de acordo com o esquema de manutenção. Consulte o capítulo *Esquema de manutenção na página 169*.
- Os choques elétricos podem causar ferimentos. Não toque nos cabos com o motor em funcionamento. Não efetue um teste de funcionamento no sistema de ignição com os seus dedos.
- Não ligue o motor se as coberturas de proteção tiverem sido removidas. Existe um risco elevado de ferimentos causados por peças quentes ou em movimento.
- Deixe o produto arrefecer antes de efetuar a manutenção perto do motor.
- As lâminas são afiadas e podem causar cortes. Coloque proteções contra o vento em redor das lâminas ou utilize luvas de proteção quando trabalhar nas mesmas.
- Coloque sempre a plataforma de corte na posição de manutenção para efetuar a respetiva limpeza. Não estacione o produto perto da bermagem de uma vala ou de um declive para ter acesso à plataforma de corte.



CUIDADO: Leia as instruções de precaução que se seguem antes de utilizar o produto.

Instruções de segurança para manutenção



ATENÇÃO: O produto é pesado e pode causar ferimentos ou danos na propriedade ou na área adjacente. Não efetue a

- Não inverta o motor se a vela de ignição ou o cabo de ignição tiverem sido retirados.
- Certifique-se de que aperta corretamente todos os parafusos e porcas, e que o equipamento está em bom estado.
- Não faça alterações ao ajuste dos reguladores. Se a velocidade do motor for demasiado elevada, os componentes do produto ficarão danificados. Consulte

a secção *Especificações técnicas na página 195* para saber qual é a velocidade do motor mais elevada permitida.

- O produto é apenas aprovado com o equipamento fornecido ou recomendado pelo fabricante.

Montagem

Introdução

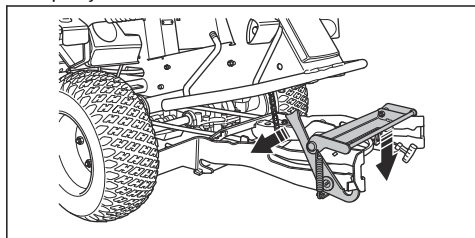


ATENÇÃO: A mola de tensão da correia da transmissão pode quebrar e causar ferimentos. Utilize óculos de proteção ao fixar ou remover a bancada de corte.

Leia as instruções de montagem no manual do proprietário com atenção. Uma etiqueta no interior da cobertura dianteira do produto também indica como fixar e remover a bancada de corte.

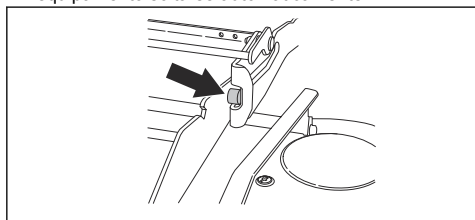
Fixar a bancada de corte

1. Estacione o produto num piso nivelado.
2. Aplique o travão de estacionamento.
3. Coloque a alavanca da altura de corte na posição de manutenção.
4. Empurre a estrutura do equipamento para baixo. Levante o bloqueio da estrutura do equipamento até à posição vertical.

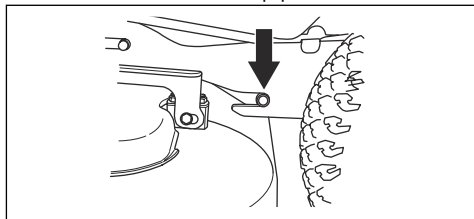


ATENÇÃO: O mecanismo de bloqueio pode causar ferimentos nos dedos se não o operar com cuidado. Segure na extremidade dianteira da plataforma de corte com as duas mãos ao continuar para o passo seguinte.

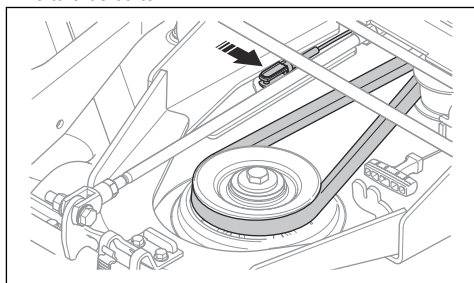
5. Empurre a plataforma de corte para a estrutura do equipamento. Certifique-se de que as velas-guia dianteiras passam nas ranhuras da estrutura do equipamento. O bloqueio da estrutura do equipamento solta-se automaticamente.



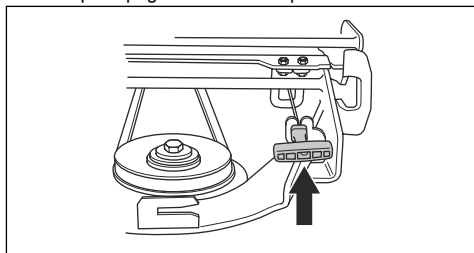
6. Empurre a plataforma de corte para dentro até que as velas-guia traseiras toquem na parte inferior das ranhuras da estrutura do equipamento.



7. Coloque a correia da transmissão em redor do pinhão da plataforma de corte e coloque o cabo da altura de corte.



8. Coloque a pega da mola no suporte da mola.

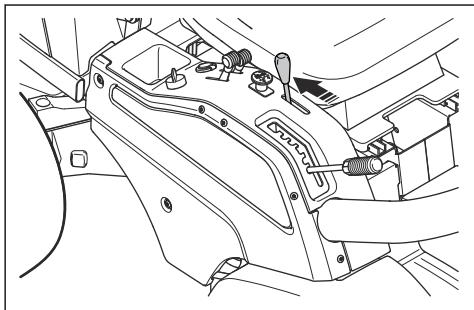


9. Fixe a cobertura dianteira.

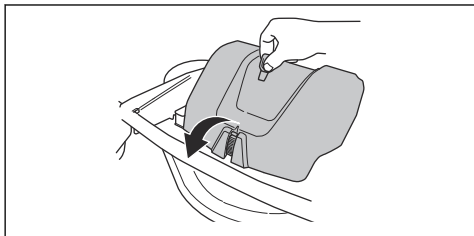
Retirar a bancada de corte

1. Estacione o produto num piso nivelado.
2. Aplique o travão de estacionamento.
3. Coloque a alavanca da altura de corte na posição de manutenção.

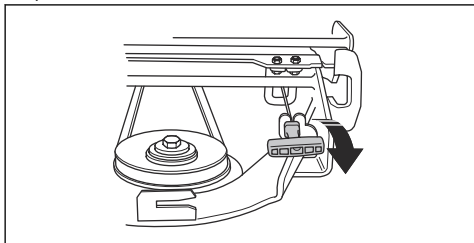
4. Puxe a alavanca de elevação da bancada de corte para trás, para a posição bloqueada, para levantar a bancada de corte.



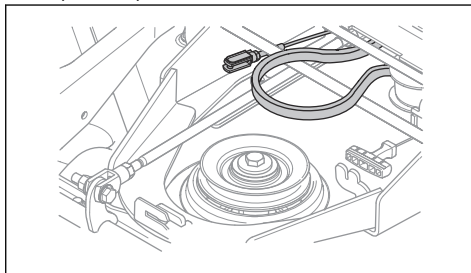
5. Solte o grampo da cobertura dianteira com a ferramenta que está presa à chave de ignição e remova a cobertura.



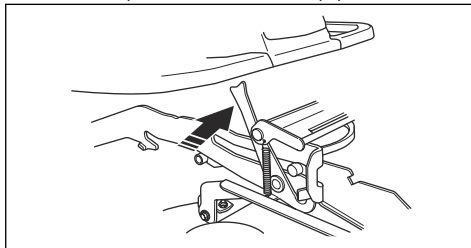
6. Puxe a pega da mola para fora do suporte da mola para aliviar a tensão da correia da transmissão.



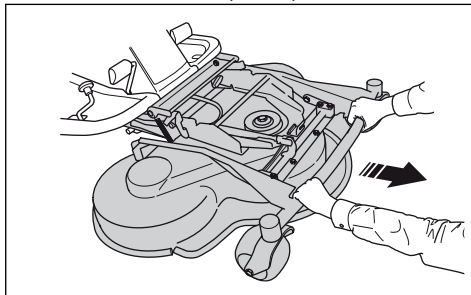
7. Remova o cabo da altura de corte.
8. Retire a correia da transmissão e coloque-a no respectivo suporte.



9. Abra o bloqueio da estrutura do equipamento.



10. Segure na extremidade dianteira da plataforma de corte com as 2 mãos e puxe-a para fora.



Funcionamento

Introdução



ATENÇÃO: Antes de utilizar o produto, tem ler e compreender o capítulo sobre segurança.

Encher o depósito de combustível



ATENÇÃO: A gasolina é muito inflamável. Tenha o cuidado de abastecer no exterior (consulte a secção *Segurança no manuseamento do combustível na página 161*).



ATENÇÃO: Não utilize o depósito de combustível como área de suporte.

O motor funciona com gasolina sem chumbo com índice de octanas mínimo de 95 (não misturada com óleo). Recomendamos a utilização de gasolina biodegradável com base em alquilatos (máx. 5% de metanol, máx. 10% de etanol, máx. 15% de MTBE).

Verifique o nível de combustível antes de cada utilização e volte a encher, se necessário.

Pode ver claramente o nível de combustível no depósito de combustível. Não encha demasiado. Mantenha um espaço mínimo de 2,5 cm.

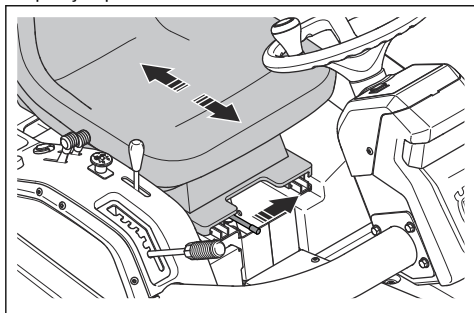
Ajustar o banco



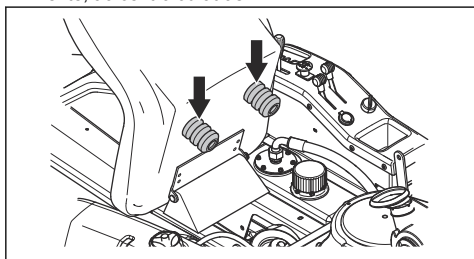
ATENÇÃO: Não ajuste o banco durante o funcionamento do produto.

O banco pode ser inclinado para a frente. Também é possível ajustar para a frente e para trás.

- Para ajustar o banco para a frente e para trás, empurre a alavanca sob a extremidade dianteira do banco para a esquerda. Desloque o banco para a posição pretendida.



- Para ajustar as molas do banco, desloque os batentes de borracha sob o banco conforme apresentado na ilustração. Coloque os 2 batentes à frente, ao centro ou atrás.



Libertar e aplicar a pressão hidráulica

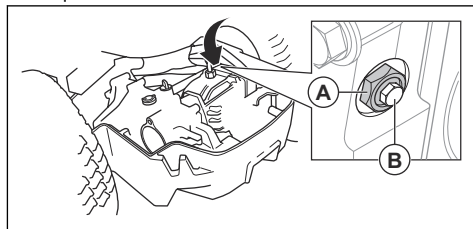
Para deslocar o produto com o motor desligado, tem de libertar a pressão hidráulica. A pressão hidráulica é libertada e aplicada através de uma válvula de derivação.



CUIDADO: Feche as 2 válvulas de derivação antes de utilizar o produto. Se estiverem abertas, a transmissão pode ficar danificada.

Eixo traseiro

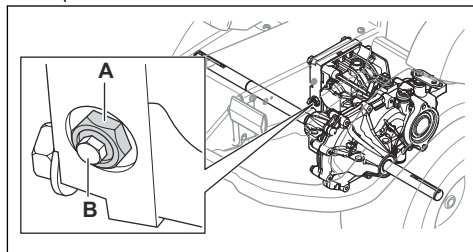
- Para libertar a pressão hidráulica, rode a porca de bloqueio (A) $\frac{1}{4}$ ou $\frac{1}{2}$ volta para a esquerda e, em seguida, rode a porca da válvula (B) 2 voltas para a esquerda.



- Para aplicar pressão hidráulica, feche a porca da válvula (B) totalmente e, em seguida, aperte a porca de bloqueio (A).

Eixo dianteiro

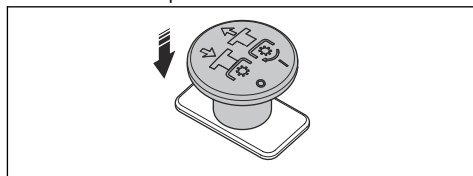
- Para libertar a pressão hidráulica, rode a porca de bloqueio (A) $\frac{1}{4}$ ou $\frac{1}{2}$ volta para a esquerda e, em seguida, rode a porca da válvula (B) 2 voltas para a esquerda.



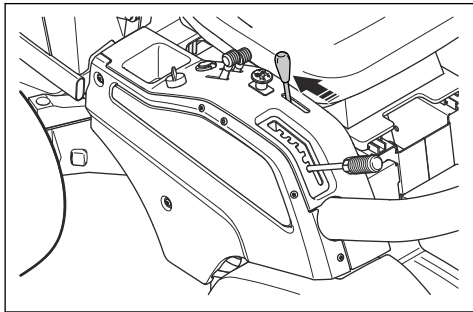
- Para aplicar pressão hidráulica, feche a porca da válvula (B) totalmente e, em seguida, aperte a porca de bloqueio (A).

Levantar a plataforma de corte

1. Prima o botão da TDF para desengatar a transmissão da plataforma de corte.



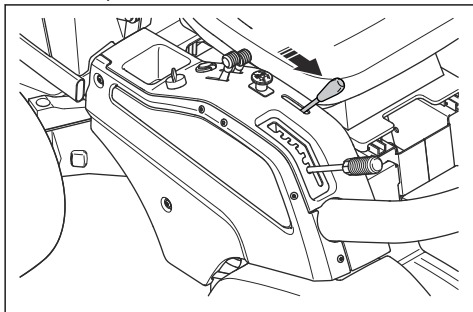
2. Puxe a alavanca de elevação para trás para levantar a plataforma de corte para a posição de transporte.



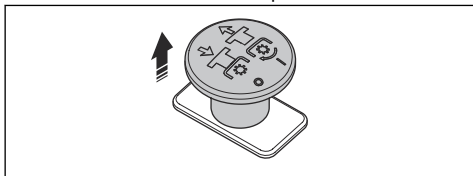
Nota: Pode levantar ligeiramente a plataforma de corte com a transmissão engatada nas lâminas. Utilize esta função para relva muito alta ou superfícies acidentadas.

Baixar a plataforma de corte para a posição de funcionamento

1. Desloque a alavanca de elevação para a frente para baixar a plataforma de corte.



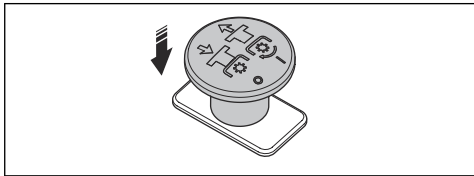
2. Puxe o botão da TDF para fora para engatar a transmissão nas lâminas da plataforma de corte.



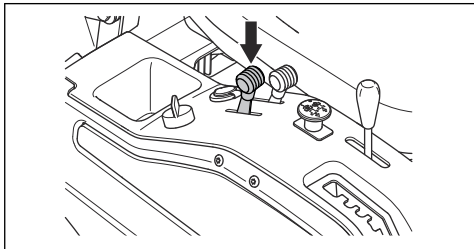
Arrancar o motor, P 524

1. Certifique-se de que as válvulas de derivação estão fechadas. Consulte *Libertar e aplicar a pressão hidráulica na página 165*.
2. Aplique o travão de estacionamento.

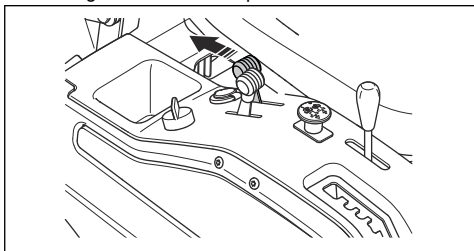
3. Prima o botão da TDF para desengatar a transmissão da plataforma de corte.



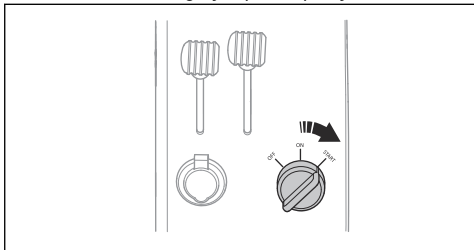
4. Desloque o acelerador para a posição intermédia.



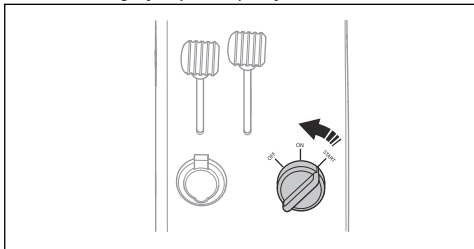
5. Se o motor estiver frio, desloque o controlo do estrangulador totalmente para trás.



6. Rode a chave de ignição para a posição START.



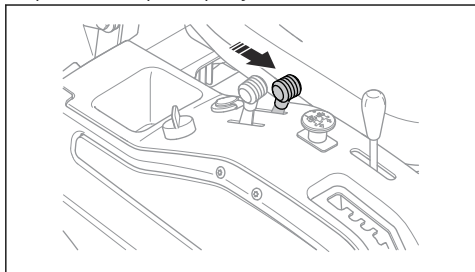
7. Quando o motor arrancar, solte imediatamente a chave de ignição para a posição neutra.





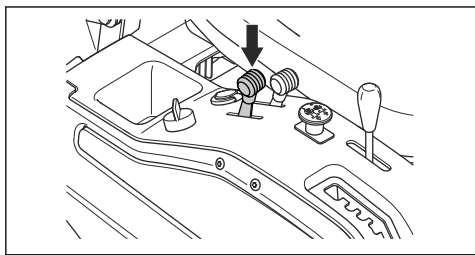
CUIDADO: Não utilize o dispositivo de arranque durante mais de 5 segundos de cada vez. Se o motor não arrancar, aguarde 15 segundos antes de tentar novamente.

- Empurre gradualmente o controlo do estrangulador para a frente para a posição final.



- Deixe o motor trabalhar na aceleração intermédia durante 3 a 5 minutos antes de aplicar uma carga pesada.

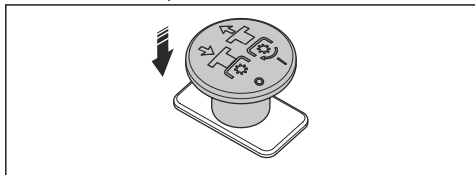
- Empurre o acelerador para a posição aceleração total.



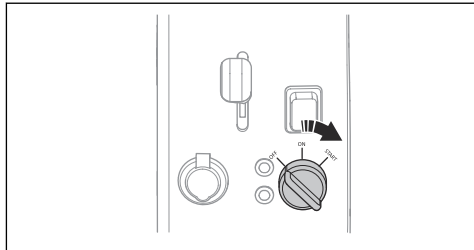
CUIDADO: Ativar as lâminas quando o motor está em velocidade máxima causa esforço nas correias da transmissão. Não aplique a aceleração total até que a plataforma de corte seja descida para a posição de corte.

Arrancar o motor, P 524EFI

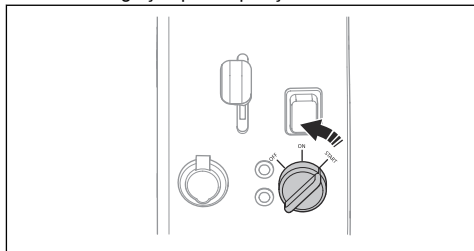
- Certifique-se de que as válvulas de derivação estão fechadas. Consulte *Libertar e aplicar a pressão hidráulica na página 165*.
- Aplique o travão de estacionamento.
- Prima o botão da TDF para desengatar a transmissão da plataforma de corte.



- Rode a chave de ignição para a posição START.



- Quando o motor arrancar, solte imediatamente a chave de ignição para a posição neutra.



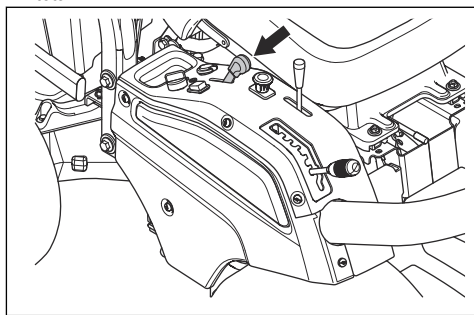
CUIDADO: Não utilize o dispositivo de arranque durante mais de 5 segundos de cada vez. Se o motor não arrancar, aguarde 15 segundos antes de tentar novamente.

- Deixe o motor trabalhar na aceleração intermédia durante 3 a 5 minutos antes de aplicar uma carga pesada.



CUIDADO: Se a luz de aviso da pressão do óleo se acender, pare o motor imediatamente e consulte a secção *Resolução de problemas na página 190*.

- Empurre o acelerador para a posição aceleração total.



CUIDADO: Ativar as lâminas quando o motor está em velocidade máxima causa esforço nas correias da transmissão. Não aplique a aceleração total até que a

plataforma de corte seja descida para a posição de corte.

5. Selecione a altura de corte (1-6) com a alavanca da altura de corte.

Iniciar e operar o produto em condições de tempo frio

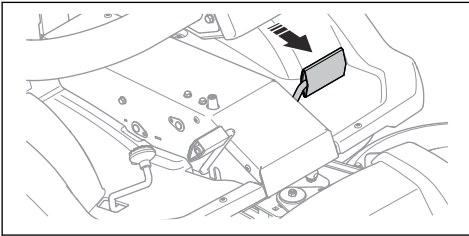
- Se o motor não arrancar facilmente em tempo frio, ligue a chave da ignição várias vezes até que o motor arranque. No caso do P 524, certifique-se de que move o controlo do estrangulador totalmente para trás.
- Com temperaturas inferiores a 0 °C, deixe o produto aquecer antes de aplicar uma carga pesada. Opere o produto, mas não engate o equipamento durante, pelo menos, 10 minutos.



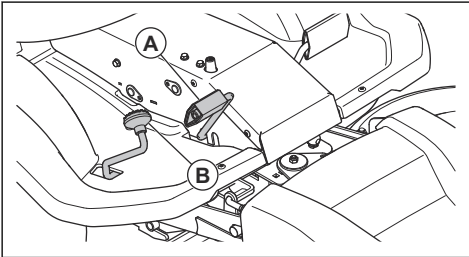
CUIDADO: Se o produto não estiver quente quando iniciar a operação, a transmissão pode ficar danificada.

Utilizar o produto

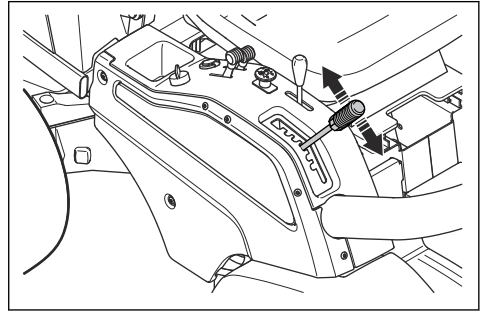
1. Ligue o motor.
2. Pressione o pedal do travão de estacionamento e, em seguida, solte-o para desengatar o travão de estacionamento.



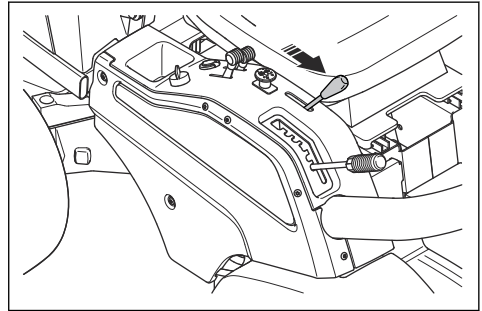
3. Pressione um dos pedais de velocidade com cuidado. A velocidade aumenta proporcionalmente à pressão aplicada no pedal. Utilize o pedal (A) para a marcha em frente e o pedal (B) para a marcha-atrás.



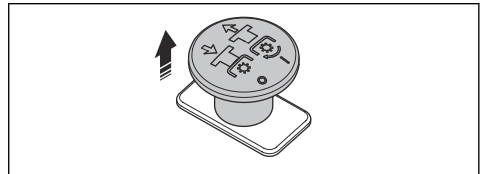
4. Solte o pedal para travar. Para aplicar mais força na travagem, pressione o outro pedal de aceleração.



6. Desloque a alavanca de elevação para a frente para baixar a plataforma de corte.

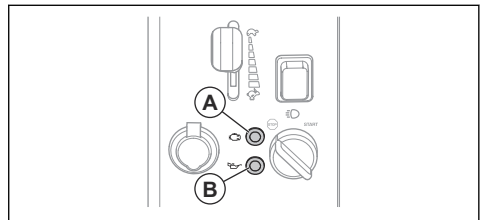


7. Puxe o botão da TDF para fora para engatar a transmissão nas lâminas da plataforma de corte.



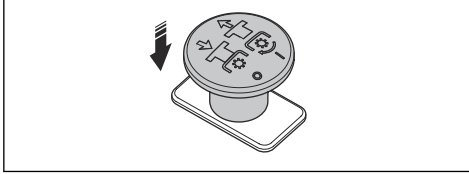
Modo de potência reduzida, P 524EFI

Se o motor tiver uma avaria, a velocidade do motor diminui automaticamente para a velocidade de ralenti baixa e a luz de aviso de avaria no motor (A) liga-se. Consulte a secção *Resolução de problemas* na página 190 para conhecer as causas possíveis da avaria.

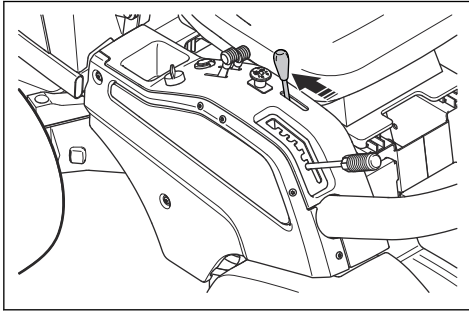


Parar o motor

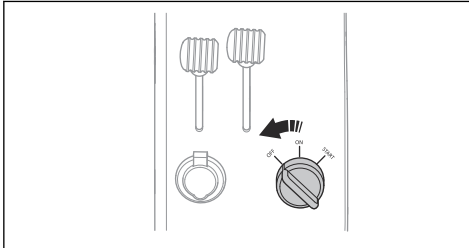
1. Liberte os pedais de aceleração.
2. Prima o botão da TDF para desengatar a transmissão das lâminas da plataforma de corte.



3. Opere o motor à velocidade de ralenti durante 1 minuto para diminuir a temperatura do motor.
4. Puxe a alavanca de elevação da plataforma de corte para trás para levantar a plataforma de corte.



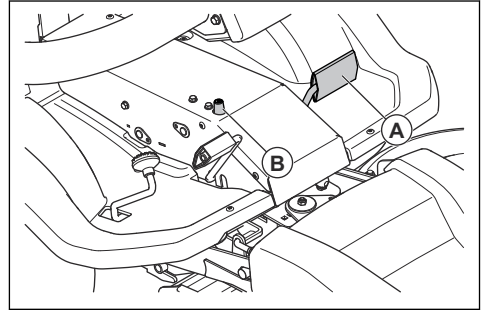
5. Desloque o acelerador para a frente, para a posição MIN.
6. Rode a chave de ignição para a posição STOP.



7. Quando o produto parar, aplique o travão de estacionamento.

Aplicar e soltar o travão de estacionamento

1. Pressione o pedal do travão de estacionamento (A).
2. Mantenha premido o botão de bloqueio (B).



3. Mantenha premido o botão e solte o pedal do travão de estacionamento.
4. Para soltar o travão de estacionamento, volte a pressionar o respetivo pedal.

Obter bons resultados de corte

- Não corte um relvado molhado. A relva molhada pode levar a um corte de fraca qualidade.
- Comece com uma altura de corte elevada e diminua-a gradualmente.
- Corte com as lâminas a uma velocidade de rotação elevada (a velocidade do motor mais elevada permitida, consulte *Especificações técnicas na página 195*). Desloque o produto para a frente a uma velocidade baixa. Se a relva não for muito alta nem muito espessa, pode obter bons resultados de corte também a velocidades mais elevadas.
- Para obter o melhor resultado de corte, corte a relva com frequência e utilize a função BioClip.

Manutenção

Introdução



ATENÇÃO: Antes de efetuar qualquer tarefa de manutenção, tem de ler e compreender o capítulo sobre segurança.

Esquema de manutenção

* = Manutenção geral realizada pelo utilizador. As instruções não estão disponíveis neste manual do utilizador.

X = As instruções estão disponíveis neste manual do utilizador.

O = As instruções não estão disponíveis neste manual do utilizador. Solicite a realização da manutenção numa oficina autorizada.

Nota: Se mais do que um intervalo de tempo estiver identificado na tabela, o intervalo de tempo mais curto refere-se apenas à primeira manutenção.

Manutenção	Diariamente, antes da utilização (intervalos de 10 horas)	Após as primeiras 25 horas	Semanalmente (intervalos de 40 horas)	Intervalo de manutenção em horas		
				100	200	400
Certifique-se de que as porcas e os parafusos estão apertados	*					
Certifique-se de que não existem fugas de óleo nem de combustível	*					
Limpar conforme a secção <i>Limpar o produto na página 172</i>	X					
Limpe a superfície interior da plataforma de corte, em redor das lâminas	X					
Limpe em redor do motor e do silenciador	X					
Limpe o refrigerador de óleo hidráulico	X					
Certifique-se de que a admissão de ar frio do motor não está bloqueada	X					
Certifique-se de que os dispositivos de segurança não estão defeituosos	X					
Examine e teste os travões	*					
Verifique o nível do óleo de motor	X					
Verifique o nível do óleo da transmissão			X			
Examine a bancada de corte quanto a danos	X					
Examine as lâminas da bancada de corte				X		
Verifique o travão de estacionamento	X					
Limpe as superfícies internas do túnel da estrutura			*			
Lubrifique as calhas deslizantes do banco			X			
Lubrifique o rolamento articulado			X	X		
Lubrifique de acordo com a descrição geral de lubrificação		X	X	X		
Limpe a plataforma de corte, sob as tampas da correia e sob a própria plataforma de corte			X			
Certifique-se de que a pressão dos pneus está correcta			X	X		
Substitua o óleo do motor		X		X		
Substitua o filtro de óleo		X				O
Limpe o filtro de ar			X	X		
Após o procedimento de limpeza, inspecione visualmente a tensão da correia da TDF		*	*		*	
Após o procedimento de limpeza, inspecione visualmente a tensão da correia da bomba		*	*		*	

Manutenção	Diariamente, antes da utilização (intervalos de 10 horas)	Após as primeiras 25 horas	Semanalmente (intervalos de 40 horas)	Intervalo de manutenção em horas		
				100	200	400
Após o procedimento de limpeza, efetue uma inspeção visual dos parafusos das polias de correia e das lâminas na plataforma de corte	*					
Após o procedimento de limpeza, efetue uma inspeção visual das mangueiras hidráulicas e dos acoplamentos para se certificar de que estão limpos e não estão danificados				*		
Após o procedimento de limpeza, inspecione visualmente o rolamento da união na articulação						*
Após o procedimento de limpeza, inspecione visualmente todas as polias					*	
Substitua o filtro de ar interior		X			X	
Substitua o cartucho do filtro de ar						X
Substitua o filtro de combustível		X		X		
Verifique os faróis e substitua as lâmpadas fundidas		X	X	X		
Verifique a posição paralela da bancada de corte		X	X			
Lubrifique o tensor da correia	X				O	O
Lubrifique as uniões e os rolamentos na plataforma de corte				X		
Lubrifique o sistema de pedais no túnel da estrutura				X		
Lubrifique as correntes no túnel da estrutura				X		
Lubrifique o cabo do travão de estacionamento				X		
Lubrifique o cabo do acelerador (apenas P 524)				X		
Lubrifique o cabo do estrangulador (apenas P 524)				X		
Lubrifique o cabo da transmissão hidrostática				X		
Substitua a correia da transmissão da plataforma de corte						X
Substitua a correia em V da plataforma de corte						X
Examine o silenciador e o defletor de calor			O	O		
Examine a existência de danos na vela de ignição e certifique-se de que a distância entre os elétrodos está correta					X	
Substitua a vela de ignição						X
Verifique e ajuste o cabo do acelerador (apenas P 524)					O	
Verifique e ajuste o cabo do estrangulador (apenas P 524)					O	

Manutenção	Diariamente, antes da utilização (intervalos de 10 horas)	Após as primeiras 25 horas	Semanalmente (intervalos de 40 horas)	Intervalo de manutenção em horas		
				100	200	400
Limpe as aletas de arrefecimento no motor e na transmissão			○	○		
Limpe o motor e a transmissão			○	○		
Verifique/ajuste a velocidade das rodas dianteiras e traseiras				○		
Verifique a mangueira de combustível. Substitua, se necessário				○		
Mude o óleo na transmissão		○				○

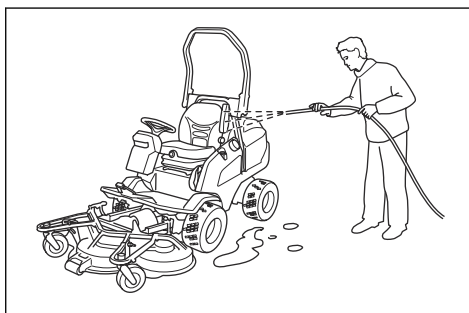
Limpar o produto



CUIDADO: Não utilize uma máquina de lavar de alta pressão nem uma máquina de limpeza a vapor. A possível entrada de água nos rolamentos e nas ligações elétricas pode causar corrosão, o que danifica o produto.

Limpe o produto imediatamente após cada utilização.

- Não limpe as superfícies quentes como o motor, o silenciador e o sistema de escape. Aguarde até as superfícies arrefecerem e, em seguida, remova a relva ou terra.
- Antes de limpar com água, limpe com uma escova. Retire aparas de relva e sujidade da transmissão, da admissão de ar da transmissão e do motor, e à volta destes.
- Utilize água corrente de uma mangueira para limpar o produto. Não utilize equipamentos de alta pressão.
- Não direcione a água diretamente para os componentes elétricos nem para os rolamentos. Geralmente, o detergente aumenta os danos.
- Para limpar a bancada de corte, coloque-a na posição de manutenção e utilize uma mangueira para a enxaguar com água.
- Quando o produto estiver limpo, ligue a plataforma de corte durante um curto período de tempo para eliminar a água restante.
- Examine todos os pontos de lubrificação e lubrifique conforme necessário. Lubrifique sempre os rolamentos após a limpeza do produto.



Limpar o motor e o silenciador

Mantenha o motor e o silenciador isentos de cortes de relva e terra. Os cortes de relva embebidos em combustível ou óleo no motor podem aumentar o risco de incêndio e de sobreaquecimento do motor. Deixe o motor arrefecer antes de o limpar. Limpe com água e uma escova.

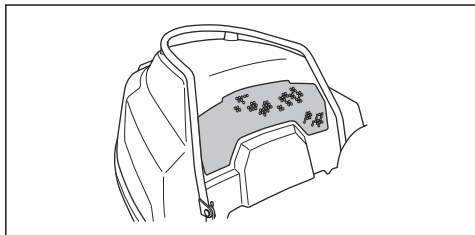
Os cortes de relva em redor do silenciador secam rapidamente e representam um risco de incêndio. Quando o silenciador estiver frio, utilize uma escova ou remova os cortes de relva com água.

Limpar a admissão de ar frio do motor

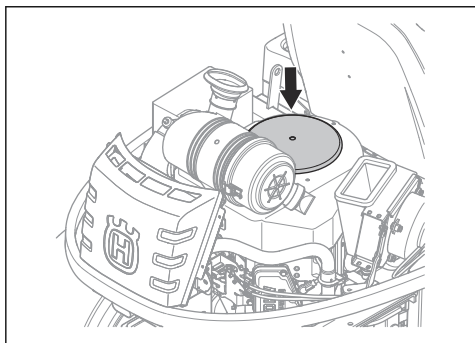


ATENÇÃO: Desligue o motor. A admissão de ar frio roda e pode causar ferimentos nos seus dedos.

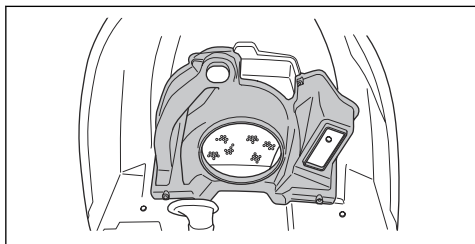
1. Certifique-se de que a grelha da entrada de ar não está obstruída. Remova a relva e a terra com uma escova.



2. Retire a proteção do motor.
3. Certifique-se de que a admissão de ar frio não está obstruída. Remova a relva e a terra com uma escova.



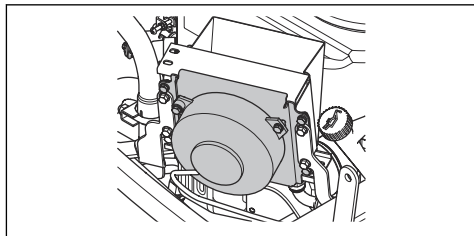
4. Examine a conduta de ar na superfície interior da proteção do motor. Certifique-se de que a conduta de ar está limpa e que não existe fricção entre esta e a admissão de ar frio.



Limpar o refrigerador de óleo hidráulico

Certifique-se de que a ventoinha do refrigerador do óleo hidráulico não está obstruída e que a área em redor do

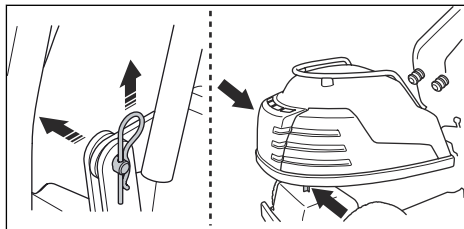
mesmo está limpa. Remova a relva e a terra com uma escova.



Remover as coberturas

Remover a proteção do motor

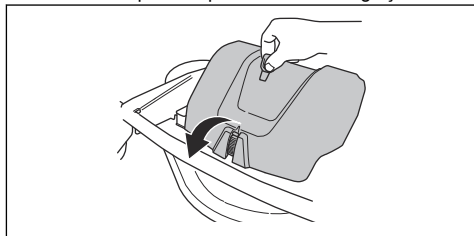
1. Mova o banco totalmente para a frente. Consulte o capítulo *Ajustar o banco na página 165*.
2. Incline o banco para a frente.
3. Remova os contrapinos e os pinos de cavilha das articulações atrás do banco.
4. Puxe os grampos da proteção do motor para trás. Os grampos situam-se na superfície interior da estrutura do motor.



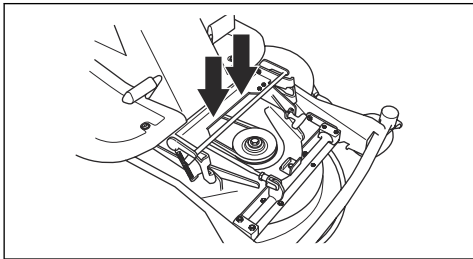
5. Levante e remova a proteção do motor.

Retirar a proteção dianteira

1. Solte o grampo da proteção dianteira com a ferramenta que está presa à chave de ignição.

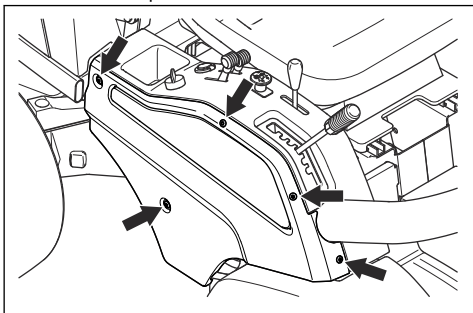


- Retire a cobertura dianteira. Está presa à estrutura do equipamento por 2 ganchos.



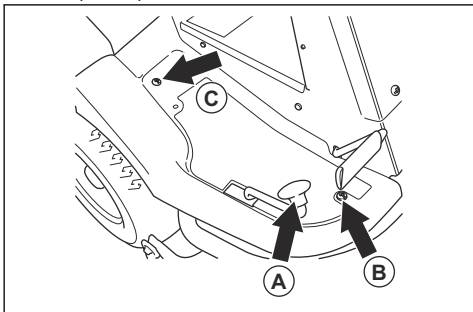
Retirar a proteção lateral

- Remova os 5 parafusos e a cobertura lateral.



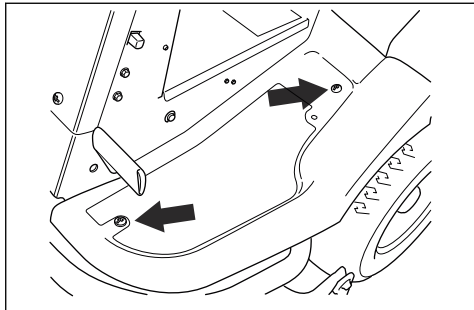
Para remover a placa de base para o pé direito

- Rode e remova o manipululo no pedal de marcha-atrás (A).
- Remova os 2 parafusos (B e C) e remova a placa de base para o pé.



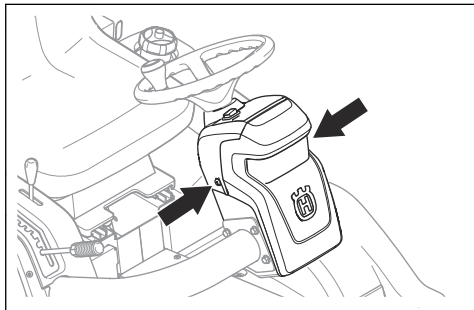
Para remover a placa de base para o pé esquerdo

- Retire os 2 parafusos e retire a placa de base para o pé.

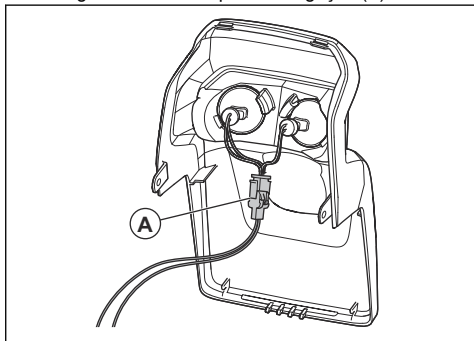


Substituir uma lâmpada danificada

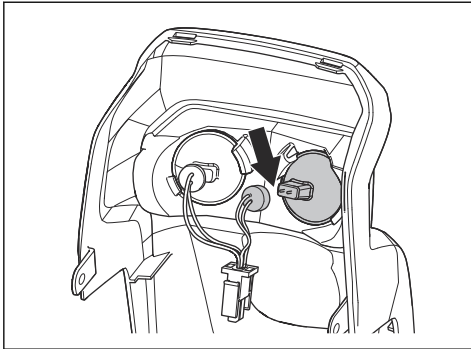
- Remova os 2 parafusos, um de cada lado, e remova a cobertura.



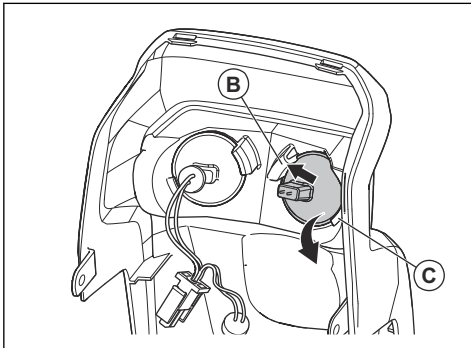
- Desligue os cabos no ponto de ligação (A).



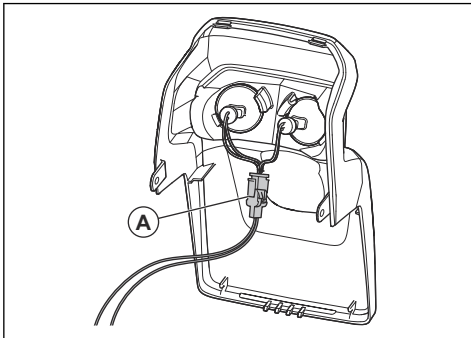
3. Desligue os cabos da lâmpada danificada.



4. Pressione a lâmpada fundida na direção do suporte de lâmpada interior (B).



5. Levante a extremidade exterior (C) da lâmpada para a remover.
6. Substitua a lâmpada fundida. Utilize o tipo de lâmpada indicado na secção *Especificações técnicas* na página 195.
7. Ligue os cabos à nova lâmpada.
8. Ligue os cabos no ponto de ligação (A).



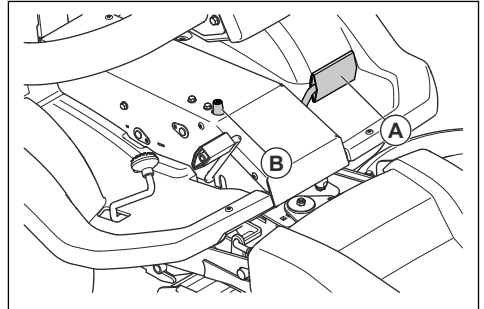
9. Monte a cobertura e aperte os 2 parafusos.

Verificar o travão de estacionamento

1. Estacione o produto numa superfície rígida inclinada.

Nota: Não estacione o produto num declive com relva quando verificar o travão de estacionamento.

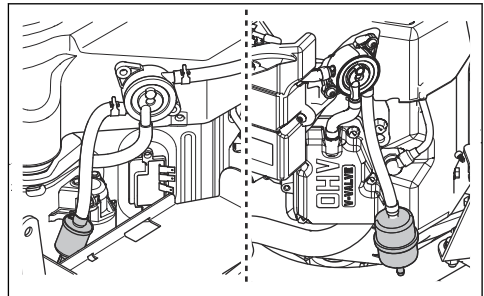
2. Pressione o pedal do travão de estacionamento (A).
3. Mantenha premido o botão de bloqueio (B) e solte o pedal do travão de estacionamento em simultâneo.



4. Se o produto começar a deslocar-se, solicite o ajuste do travão de estacionamento numa oficina autorizada.
5. Prima novamente o pedal do travão de estacionamento para soltar o travão de estacionamento.

Substituir o filtro de combustível

1. Remova a proteção do motor para aceder ao filtro de combustível. A ilustração do lado direito mostra o modelo P 524. A ilustração do lado esquerdo mostra o modelo P 524EFI.



2. Afaste as braçadeiras de mangueira do filtro de combustível com um alicate plano.
3. Puxe o filtro de combustível das extremidades da mangueira.
4. Pressione o novo filtro de combustível para as extremidades das mangueiras. Aplique detergente líquido nas extremidades do filtro de combustível para facilitar a ligação.

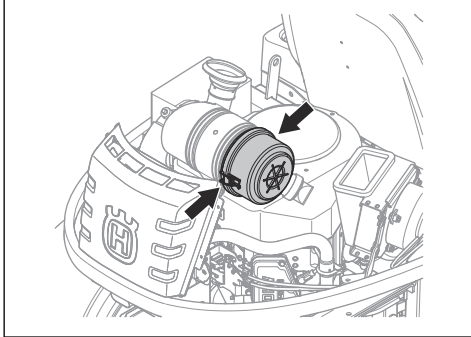
- Empurre as braçadeiras de mangueira contra o filtro de combustível.

Limpar e substituir o filtro de ar

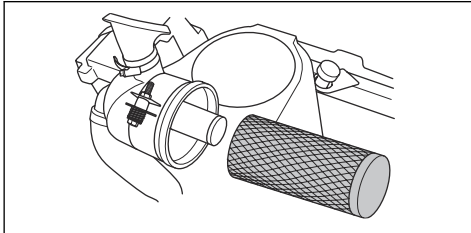


CUIDADO: Não arranque o motor sem colocar o filtro de ar.

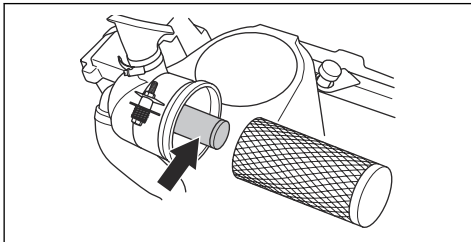
- Retire a proteção do motor.
- Desaperte os 2 manípulos que fixam a cobertura do filtro de ar.



- Remova a cobertura do filtro de ar.
- Retire o cartucho do filtro de ar do alojamento do filtro.



- Bata o cartucho do filtro de ar cuidadosamente contra uma superfície rígida e utilize ar comprimido para soprar a superfície interior. Substitua o filtro de ar se não for possível limpar ou se estiver danificado.
- Remova o filtro de ar interior situado atrás do cartucho do filtro de ar.

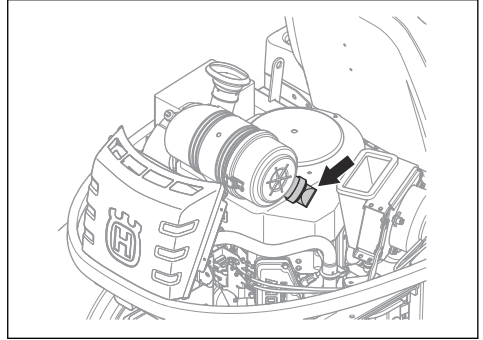


- Bata o filtro de ar interior contra uma superfície rígida para o limpar. Substitua o filtro de ar se não for possível limpar ou se estiver danificado.



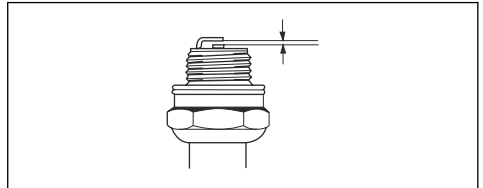
CUIDADO: Não utilize ar comprimido para limpar o filtro de ar interior.

- Coloque o filtro de ar interior e o cartucho do filtro de ar novamente nas posições iniciais na caixa do filtro. Certifique-se de que o cartucho do filtro de ar fica preso corretamente na parte superior da entrada de ar.
- Prenda a cobertura do filtro de ar e certifique-se de que o coletor de partículas está virado para baixo.



Examinar e substituir a vela de ignição

- Abra a cobertura do motor.
- Retire o terminal do cabo de ignição e limpe a área em redor da vela de ignição.
- Retire a vela de ignição com uma chave para velas de ignição de $\frac{3}{4}$ " (19 mm).
- Examine a vela de ignição. Substitua-a se os elétrodos estiverem queimados ou se o isolamento apresentar fissuras ou danos. Se a vela de ignição não estiver danificada, limpe-a com uma escova de aço.
- Meça a distância entre os elétrodos e confirme que está correta. Consulte o capítulo *Especificações técnicas* na página 195.



- Dobre o elétrodo lateral para ajustar a distância entre os elétrodos.
- Coloque novamente a vela de ignição e rode-a com a mão até que esteja em contacto com o assento da vela de ignição.

- Aperte a vela de ignição com a chave para velas de ignição até que a arruela esteja comprimida.
- Aperte uma vela de ignição usada mais $\frac{1}{4}$ de volta e uma vela de ignição nova mais $\frac{1}{4}$ de volta.



CUIDADO: As velas de ignição que não estejam corretamente apertadas podem causar danos no motor.

- Substitua o terminal do cabo de ignição.

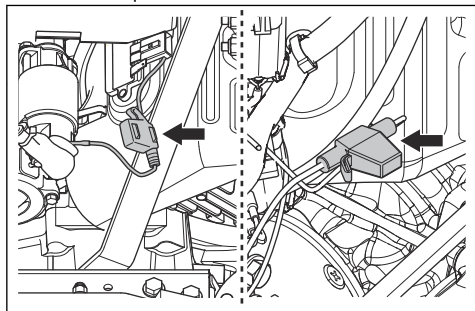


CUIDADO: Não tente ligar o motor se a vela de ignição ou o cabo de ignição tiverem sido retirados.

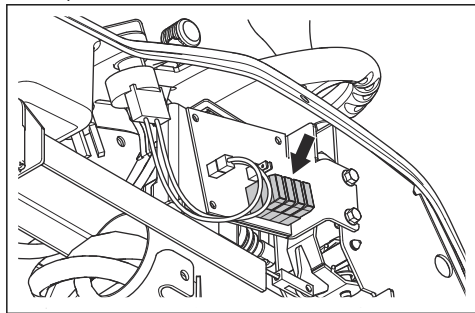
Substituir um fusível

Um fusível fundido é identificado por um conector queimado.

- Remova a cobertura para aceder ao fusível queimado.
 - Para substituir o fusível principal, remova a proteção do motor. O fusível principal situa-se num suporte sob a bateria. A ilustração do lado direito mostra o modelo P 524. A ilustração do lado esquerdo mostra o modelo P 524EFI.



- Para substituir o fusível da tomada de alimentação, remova a cobertura lateral. O fusível da tomada de alimentação situa-se sob o painel de controlo.



- Puxe o fusível do suporte.

- Substitua o fusível queimado por um fusível novo do mesmo tipo. Consulte *Especificações técnicas na página 195*.
- Prenda as coberturas.

Nota: Se o fusível principal se fundir novamente num curto período de tempo depois de o substituir, existe um curto-circuito. Repare o curto-circuito antes de utilizar novamente o produto. Solicite ajuda numa oficina autorizada.

Carregar a bateria

- Carregue a bateria, se esta estiver demasiado fraca para ligar o motor.
- Utilize um carregador de bateria padrão.



CUIDADO: Não utilize um carregador rápido ou propulsor de arranque. Estes poderão danificar o sistema elétrico do produto.

- Antes de ligar o motor, desligue sempre o carregador.

Efetuar um arranque de emergência do motor

Se a bateria estiver demasiado fraca para ligar o motor, pode utilizar cabos de ligação direta para efetuar um arranque de emergência. Este produto tem um sistema de 12 V com terra negativa. O produto utilizado para o arranque de emergência também tem de ter um sistema de 12 V com terra negativa.

Ligar os cabos de ligação direta



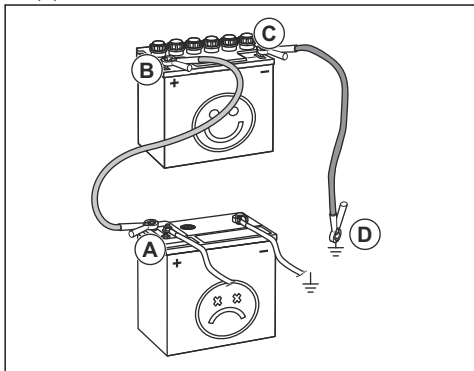
ATENÇÃO: Existe risco de explosão devido ao gás explosivo emitido pela bateria. Não ligue o terminal negativo da bateria totalmente carregada ao ou junto ao terminal negativo da bateria fraca.



CUIDADO: Não utilize a bateria do seu produto para ligar outros veículos.

- Retire a proteção do motor.
- Retire a proteção da caixa da bateria.

3. Ligue uma extremidade do cabo vermelho ao terminal POSITIVO da bateria (+) na bateria fraca (A).



4. Ligue a outra extremidade do cabo vermelho ao terminal POSITIVO da bateria (+) na bateria totalmente carregada (B).



ATENÇÃO: Não provoque o curto-circuito das extremidades do cabo vermelho contra o chassi.

5. Ligue uma extremidade do cabo preto ao terminal NEGATIVO da bateria (-) na bateria totalmente carregada (C).
6. Ligue a outra extremidade do cabo preto a um conector de TERRA do CHASSI (D), afastado do depósito de combustível e da bateria.
7. Substitua as proteções.

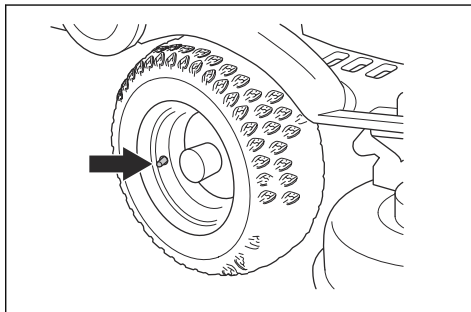
Retirar os cabos de ligação direta

Nota: Retire os cabos de ligação direta na sequência oposta à da ligação.

1. Retire o cabo PRETO do chassi.
2. Retire o cabo PRETO da bateria totalmente carregada.
3. Retire o cabo VERMELHO das 2 baterias.

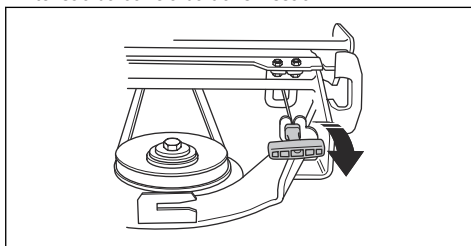
Pressão dos pneus

Recomendamos uma pressão de 100 kPa (1,0 bar/ 14,5 PSI) nos 4 pneus.

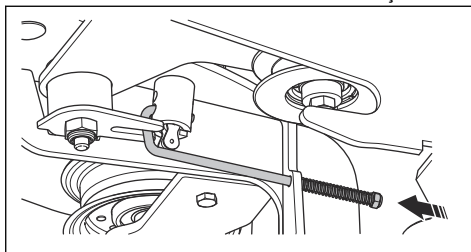


Substituir a correia da transmissão da plataforma de corte

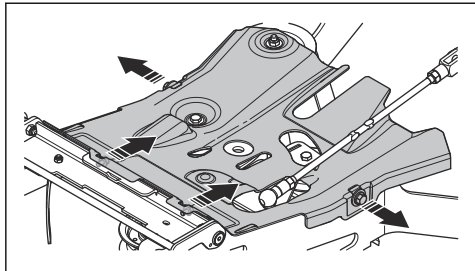
1. Baixe a plataforma de corte.
2. Retire a cobertura dianteira.
3. Puxe a pega da mola para a esquerda e remova-a do suporte da mola para aliviar a tensão na roda de tensão da correia da transmissão.



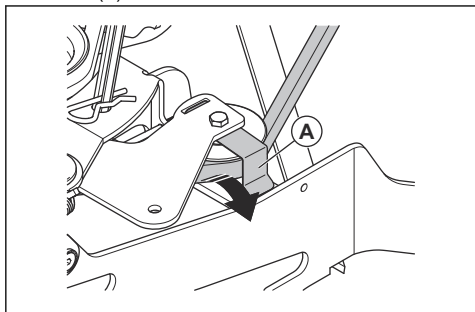
4. Remova a cobertura do lado esquerdo da plataforma de corte.
5. Puxe a base da mola da corrente de elevação.



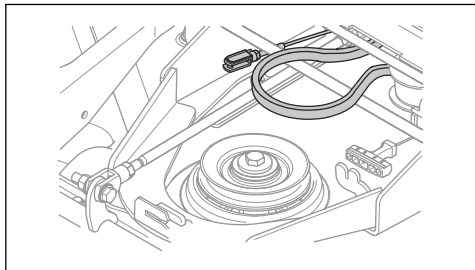
6. Remova os 4 parafusos e a proteção da correia.



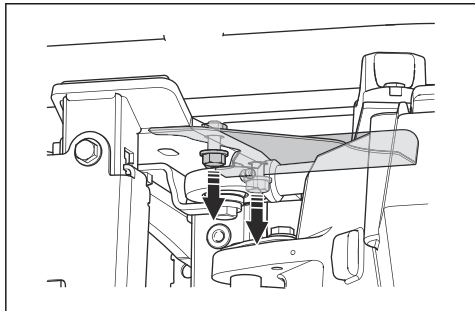
7. Remova a correia da polia, levante o suporte da correia (A) e remova a correia da roda de tensão.



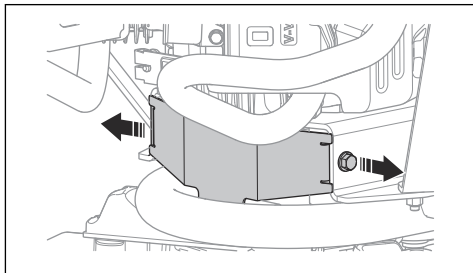
8. Remova a correia da polia na estrutura da ferramenta.



9. Remova a proteção da correia sob a polia do motor.

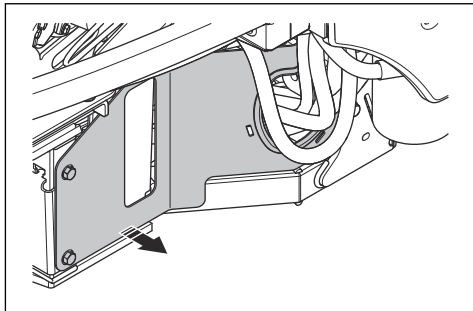


10. Remova a proteção da correia diante da transmissão traseira.

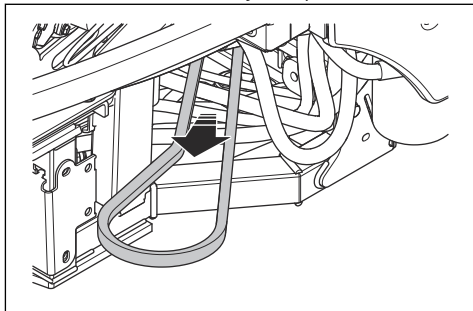


11. Remova a correia da polia do motor.

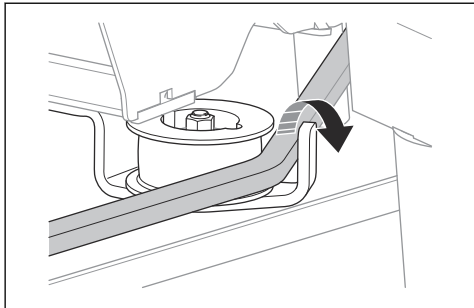
12. Remova a proteção da correia no lado direito da máquina.



13. Puxe a parte dianteira da correia para fora através do lado direito da articulação do produto.



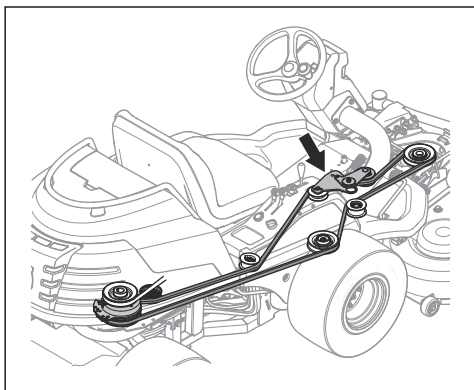
14. Remova a correia do gancho da polia central.



15. Puxe a correia da transmissão para fora.

16. Fixe uma nova correia da transmissão seguindo a sequência oposta.

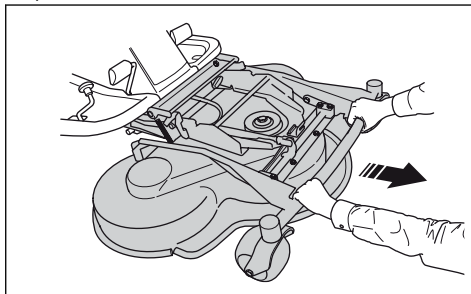
Certifique-se de que a correia da transmissão da plataforma de corte fica presa conforme ilustrado. Certifique-se de que a coloca corretamente na polia do regulador, identificada por uma seta na ilustração.



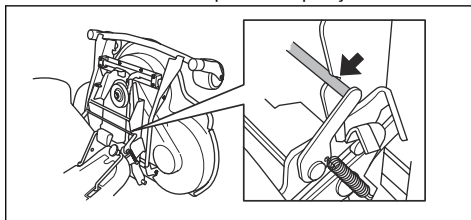
Colocar a bancada de corte na posição de manutenção

1. Consulte os passos 1 a 8 na seção *Retirar a bancada de corte na página 163*.

2. Segure na extremidade dianteira da bancada de corte com as duas mãos e puxe-a para a frente até parar.



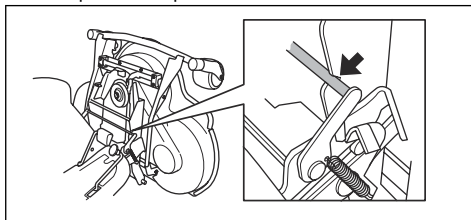
3. Levante a bancada de corte até à posição vertical, até ouvir um som de clique. A bancada de corte é automaticamente bloqueada na posição vertical.



Colocar a plataforma de corte na posição de corte

1. Segure na extremidade dianteira da bancada de corte com a mão esquerda.

2. Desaperte o bloqueio com a mão direita.

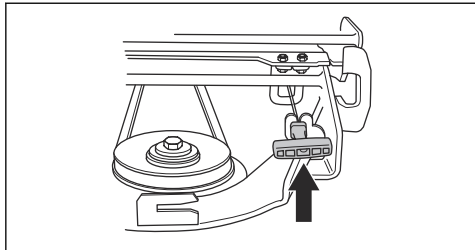


3. Baixe a plataforma de corte e empurre-a até parar.

4. Coloque a correia da transmissão em redor do pinhão da plataforma de corte.

5. Prenda o cabo de ajuste da altura.

6. Coloque a pega da mola no suporte da mola.

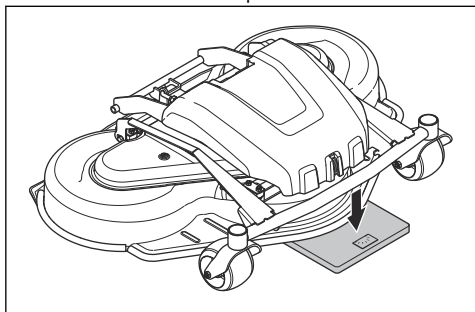


7. Fixe a cobertura dianteira.

Examinar e ajustar a pressão exercida na terra pela plataforma de corte

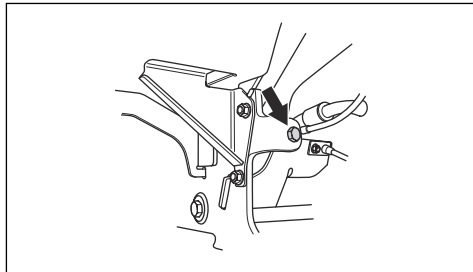
Uma pressão correta sobre a terra garante que a plataforma de corte se desloca ao longo da superfície mas que não exerce pressão excessiva sobre esta.

1. Verifique a pressão de ar dos pneus. Consulte *Pressão dos pneus na página 178*.
2. Estacione o produto numa superfície nivelada.
3. Baixe a plataforma de corte até à posição de corte.
4. Coloque uma balança de casa de banho sob a extremidade dianteira da plataforma de corte.



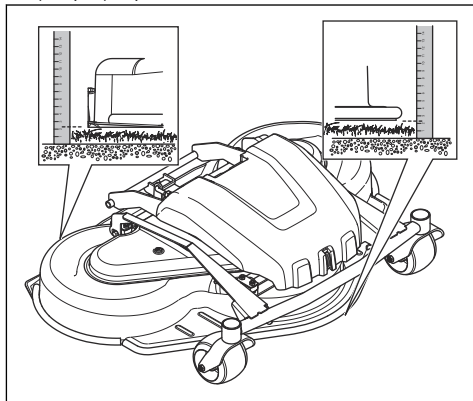
5. Coloque um bloco de madeira entre a estrutura e a balança de casa de banho. O bloco de madeira garante que não é aplicado qualquer peso nas rodas de suporte.
6. A pressão correta exercida na terra é entre 12 e 15 kg (26,5 e 33 lb). Para ajustar a pressão exercida na terra, rode os parafusos de ajuste situados atrás das rodas dianteiras no lado direito e esquerdo.

7. Rode os parafusos para direita ou esquerda até que a pressão exercida na terra esteja entre 12 e 15 kg (26,5 a 33 lb). Certifique-se de que as molas têm a mesma tensão no lado direito e esquerdo.



Verificar a posição paralela da bancada de corte

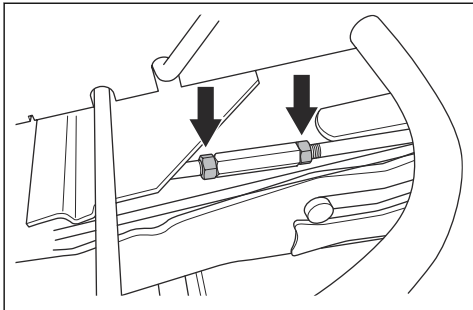
1. Verifique a pressão de ar dos pneus. Consulte *Pressão dos pneus na página 178*.
2. Estacione o produto numa superfície nivelada.
3. Baixe a plataforma de corte até à posição de corte.
4. Coloque a alavanca da altura de corte na posição intermédia.
5. Meça a distância entre o solo e as arestas dianteira e traseira da plataforma de corte. Certifique-se de que a extremidade traseira tem uma altura 4 a 6 mm (1/5 pol.) superior à da extremidade dianteira.



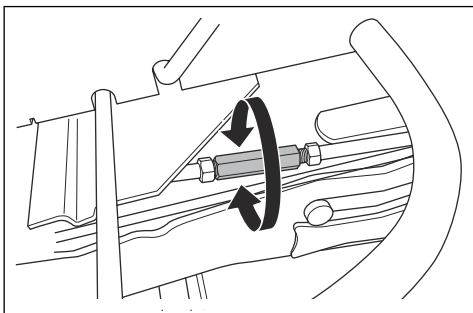
Ajustar a posição paralela da bancada de corte

1. Retire a cobertura dianteira.

2. Desaperte as porcas do veio da calha.



3. Rode o veio da calha para o alongar ou encurtar. Alongue o veio da calha para elevar a extremidade traseira da cobertura. Encurte o veio da calha para baixar a extremidade traseira da cobertura.



4. Aperte as porcas do veio da calha quando terminar o ajuste.
5. Verifique o paralelismo. Consulte *Verificar a posição paralela da bancada de corte na página 181*.
6. Fixe a cobertura dianteira.

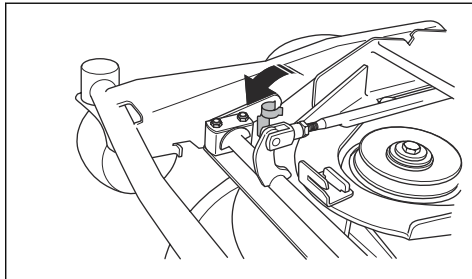
Substituir a correia em V da plataforma de corte



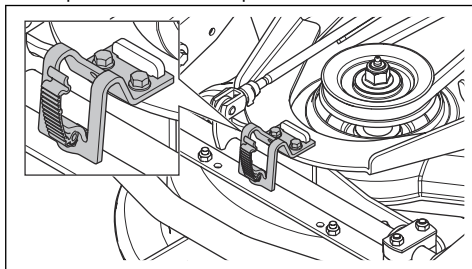
ATENÇÃO: Risco de ferimentos por esmagamento. Utilize luvas de protecção.

1. Retire a plataforma de corte. Consulte *Retirar a bancada de corte na página 163*.

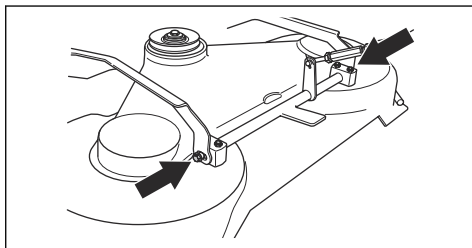
2. Abra o bloqueio do parafuso do veio da calha.



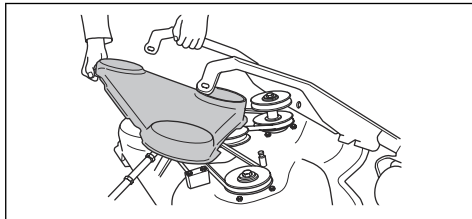
3. Remova os 2 parafusos que prendem o suporte do bloqueio na estrutura da plataforma de corte.



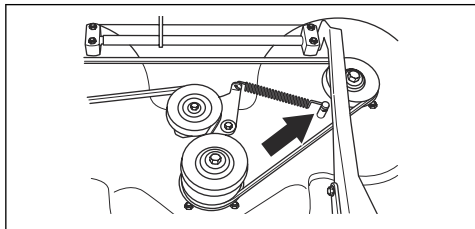
4. Remova o suporte do bloqueio e remova a estrutura da plataforma de corte.
5. Remova os 2 parafusos da estrutura da plataforma de corte.



6. Remova os parafusos na cobertura da plataforma de corte. Levante a estrutura da plataforma de corte e remova a respetiva cobertura.



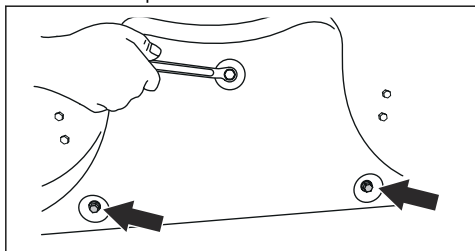
7. Remova a mola de tensão da correia em V e retire-a.



8. Fixe uma nova correia em V seguindo a sequência oposta.

Remover e fixar o adaptador BioClip

1. Coloque a bancada de corte na posição de manutenção.
2. Retire os 3 parafusos que fixam o adaptador BioClip e retire o adaptador.



3. Fixe 3 parafusos M8X15 mm nos orifícios dos parafusos para o adaptador BioClip, para impedir danos nas roscas.
4. Coloque a plataforma de corte na posição de corte.
5. Fixe o adaptador BioClip na sequência oposta.

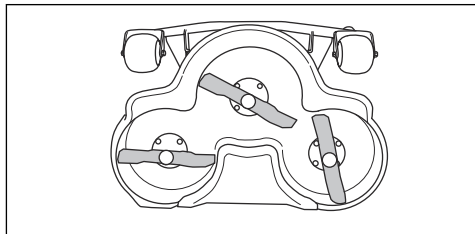
Examinar as lâminas



CUIDADO: As lâminas danificadas ou incorretamente equilibradas podem provocar danos no produto. Substitua as lâminas danificadas. Solicite ajuda numa oficina autorizada para afiar e equilibrar as lâminas rombas.

1. Coloque a bancada de corte na posição de manutenção.

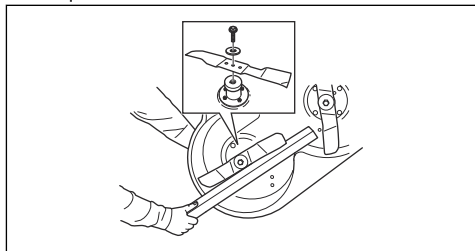
2. Observe as lâminas para verificar se estão danificadas e se é necessário afiá-las.



3. Aperte os parafusos das lâminas com um binário de aperto de 80–85 Nm.

Substituir as lâminas

1. Coloque a bancada de corte na posição de manutenção.
2. Bloqueie a lâmina com um bloco de madeira.



3. Desaperte e remova o parafuso da lâmina, as arruelas e a lâmina.
4. Monte a nova lâmina com as extremidades angulares na direção da bancada de corte.



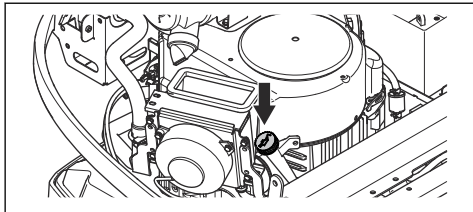
ATENÇÃO: O tipo de lâmina incorreto pode causar a projeção de objetos da bancada de corte e resultar em ferimentos graves. Utilize apenas as lâminas indicadas na secção *Especificações técnicas na página 195.*

5. Fixe a lâmina, a arruela e o parafuso. Aperte o parafuso com um binário de aperto de 80–85 Nm.

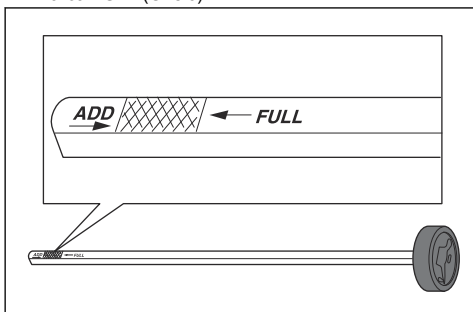
Verificar o nível do óleo de motor

1. Estacione o produto num piso nivelado e pare o motor.
2. Retire a proteção do motor.

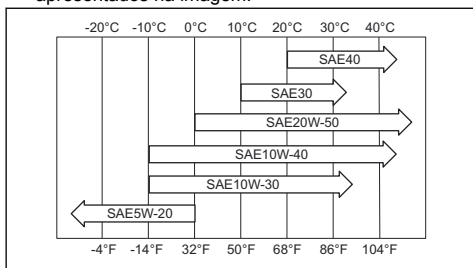
3. Solte a vareta de nível e puxe-a para fora.



4. Limpe o óleo da vareta de nível.
5. Volte a colocar a vareta de nível. Não a aperte.
6. Puxe a vareta de nível para fora para verificar o nível do óleo.
7. O nível do óleo tem de estar entre as marcas da vareta de nível. Se o nível estiver junto à marca ADD (Adicionar), encha o depósito de óleo até à marca FULL (Cheio).



8. Verta o óleo lentamente através do orifício para a vareta. Utilize um óleo com uma viscosidade adequada para os intervalos de temperaturas apresentados na imagem.



CUIDADO: Não misture tipos diferentes de óleo.

9. Aperte corretamente a vareta de nível antes de ligar o motor. Ligue o motor e deixe-o ao ralenti durante, aproximadamente, 30 segundos. Desligue o motor. Aguarde 30 segundos e verifique novamente o nível do óleo.

Mudar o óleo de motor e o filtro de óleo

Se o motor estiver frio, ligue o motor durante 1 a 2 minutos antes de drenar o óleo de motor. Isto aquece o óleo de motor e facilita a respetiva drenagem.

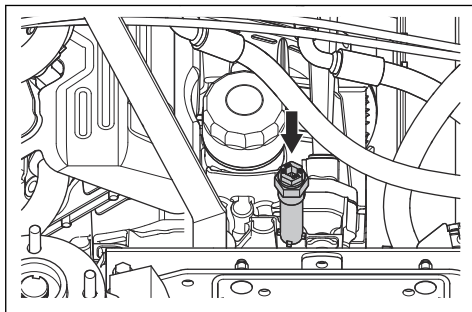


ATENÇÃO: Não coloque o motor em funcionamento durante mais de 1 a 2 minutos antes de drenar o óleo de motor. O óleo do motor fica muito quente e pode causar queimaduras. Deixe o motor arrefecer antes de drenar o óleo de motor.

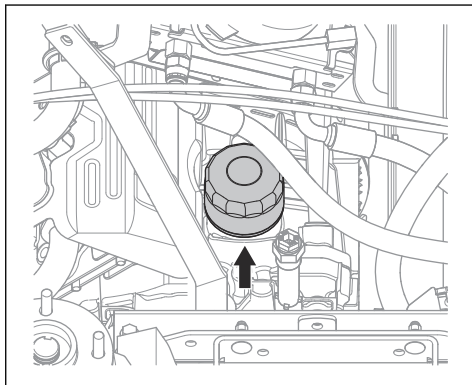


ATENÇÃO: Se derramar óleo de motor no seu corpo, limpe com água e sabão.

1. Retire a proteção do motor.
2. Coloque um recipiente sob o bujão de drenagem do óleo.



3. Remova a vareta de nível.
4. Remova o bujão de drenagem do óleo do motor.
5. Deixe o óleo escorrer para o recipiente.
6. Fixe o bujão de drenagem do óleo e aperte-o completamente.
7. Rode o filtro de óleo para a esquerda para o remover.

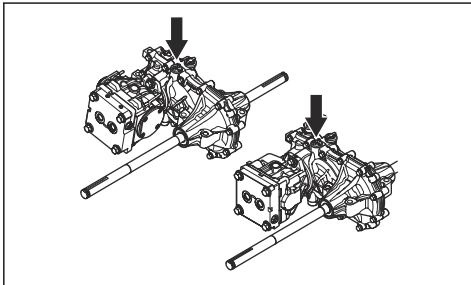


8. Lubrifique ligeiramente o vedante de borracha do novo filtro de óleo com óleo novo.
9. Para fixar o filtro de óleo, rode-o no sentido horário com a mão até o vedante de borracha estar na devida posição e, em seguida, aperte mais meia volta.
10. Encha o depósito com óleo novo, conforme indicado na secção *Verificar o nível do óleo de motor na página 183*.
11. Ligue o motor e deixe-o ao ralenti durante 3 minutos.
12. Pare o motor e certifique-se de que o filtro de óleo não tem fugas.
13. Encha com óleo para compensar o óleo absorvido pelo novo filtro de óleo.

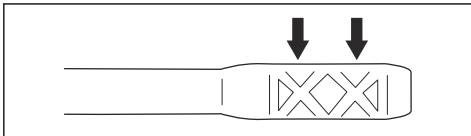
Nota: Para a eliminação segura do óleo de motor utilizado, consulte a secção *Eliminação na página 193*.

Verificar o nível do óleo da transmissão

1. Utilize a vareta do óleo para verificar o nível do óleo na transmissão.



2. O nível do óleo tem de estar entre as marcas da vareta de nível.

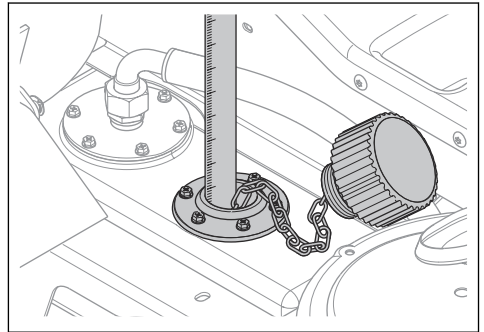


3. Se o nível do óleo estiver demasiado baixo, encha com o tipo de óleo identificado em *Especificações técnicas na página 195*.

Verificar o nível do óleo no sistema hidráulico

1. Incline o banco para a frente.
2. Limpe a área em redor da tampa do óleo com um pano limpo.

3. Remova a tampa do óleo e verifique o nível do óleo hidráulico. O nível correto é entre 40 e 60 mm da parte superior do filtro.



4. Se o nível do óleo estiver demasiado baixo, encha com o tipo de óleo identificado em *Especificações técnicas na página 195*.

QUICK MAINTENANCE GUIDE FOR P 524

577 22 19-01

400 h

200 h

100 h

40 h

10 h

40 h

100 h

400 h

400 h

200 h

100 h

40 h

10 h

40 h

100 h

400 h

SAE 10W 50 API SM - 8L

FUEL CAPACITY = 22L

TIRE PRESSURE = Front & Rear 1,0bar

1.0L
2.0L
MOTOR OIL SAE 10W 40 API CD

0.5L
Front & Rear
TRANSMISSION OIL 10W 50 API SM

↑ FIRST OIL CHANGE AFTER 25h ↓

Símbolos do guia de manutenção rápida



Substitua o filtro



Substitua o óleo



Examine visualmente ou verifique o nível do óleo



Lubrifique o copo de lubrificação com massa lubrificante



Lubrifique com óleo de motor

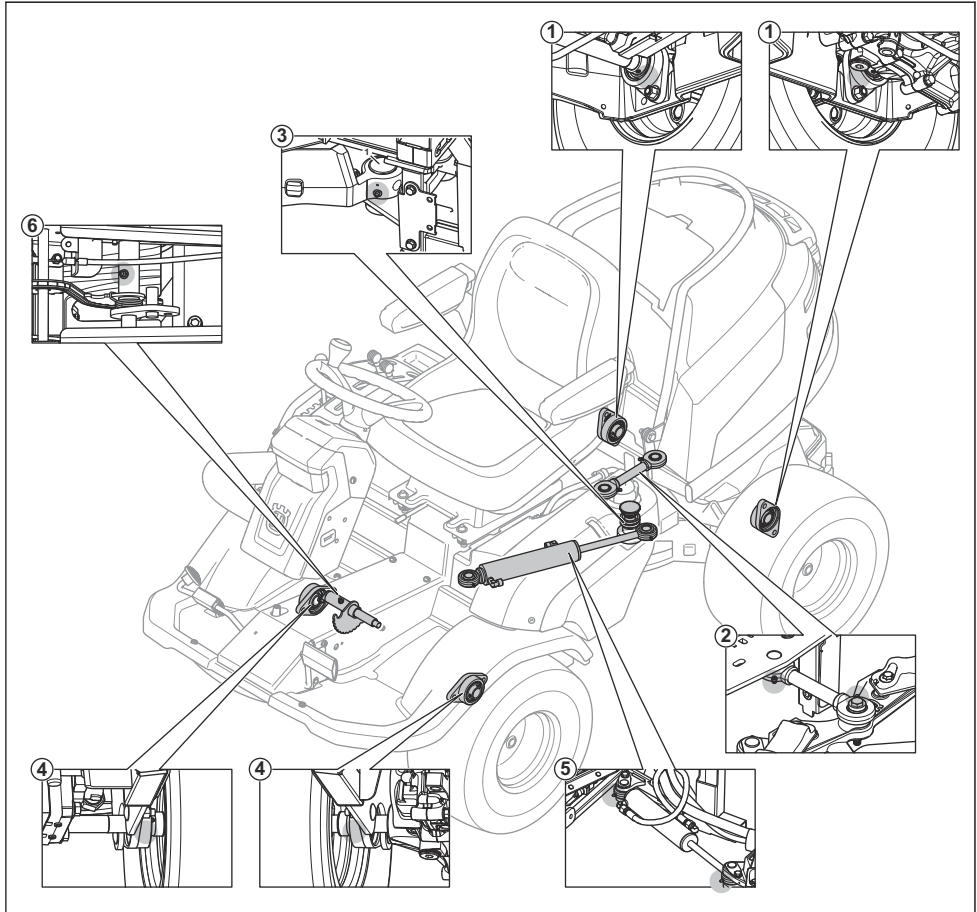


Verifique o estado e a tensão da correia da transmissão



Substitua a correia da transmissão

Descrição geral da lubrificação



1. Rolamento do eixo traseiro
2. Barra de ligação
3. Rolamento da articulação
4. Rolamento do eixo dianteiro
5. Cilindro da direção
6. Eixo da corrente de elevação

- Lubrifique 2 vezes por semana se utilizar o produto diariamente.
- Não derrame lubrificantes nas correias da transmissão nem nas ranhuras das polias da correia. Se ocorrer um derrame, limpe com álcool. Se a fricção entre a correia de transmissão e a polia não for suficiente após a limpeza com álcool, substitua a correia de transmissão.

Lubrificação, informação geral

- Durante a lubrificação, retire a chave da ignição para impedir movimentos acidentais.
- Utilize óleo de motor quando lubrificar com um recipiente de óleo.
- Quando lubrificar com massa lubrificante, utilize uma massa lubrificante para rolamentos ou para chassis que previna a corrosão. Remova o excesso de massa lubrificante após a lubrificação.



CUIDADO: Não utilize gasolina nem outros derivados de petróleo para limpar as correias da transmissão.

Lubrificar cabos

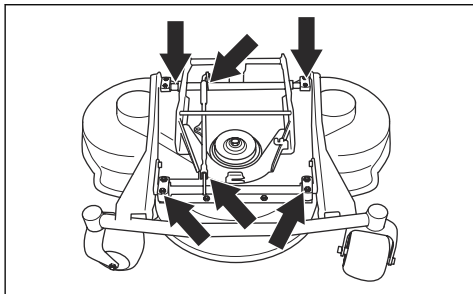
- Lubrifique as 2 extremidades dos cabos e coloque os controlos nas posições finais.

- Fixe as coberturas de borracha nos cabos após a lubrificação.
- Os cabos com revestimento têm de ser lubrificados regularmente para prevenir avarias.
 - a) Remova o cabo e pendure-o verticalmente.
 - b) Lubrifique o cabo com óleo de motor fino até que o óleo comece a pingar na parte inferior. Substitua o cabo se o óleo não pingar na parte inferior.

Nota: Pode encher um pequeno saco plástico com óleo e vedar o saco contra o revestimento do cabo com fita. Deixe o cabo pendurado verticalmente sob o saco até ao dia seguinte.

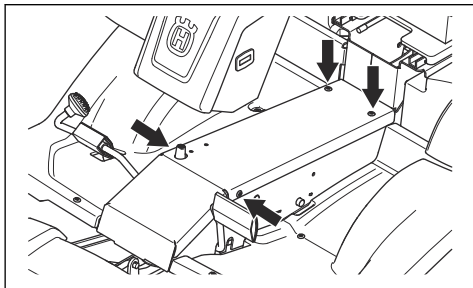
Lubrificar a plataforma de corte

1. Retire a cobertura dianteira.
2. Lubrifique as uniões e os rolamentos com óleo de motor.

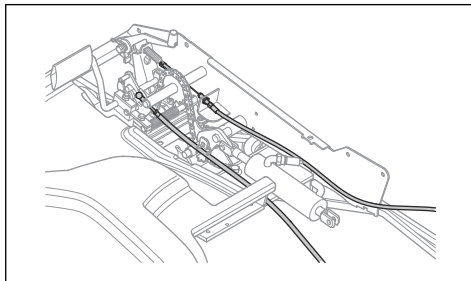


Lubrificar o sistema de pedais

1. Remova os 4 parafusos e remova a placa da estrutura.



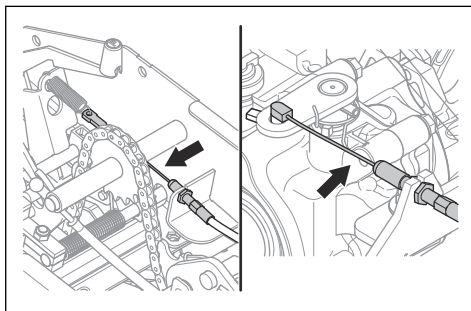
2. Pressione e liberte os pedais e lubrifique as peças móveis com óleo de motor.



3. Lubrifique os cabos dos pedais de marcha em frente e marcha-atrás com óleo de motor.

Lubrificar o cabo do travão de estacionamento

1. Remova os 4 parafusos e remova a placa da estrutura.
2. Remova a cobertura do lado esquerdo.
3. Remova o revestimento de borracha do cabo do travão de estacionamento.
4. Lubrifique as extremidades do cabo do travão de estacionamento com óleo de motor.

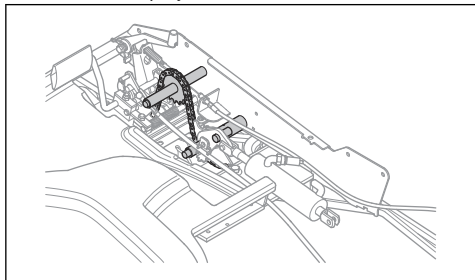


5. Lubrifique o cabo do travão de estacionamento com óleo de motor.
6. Pressione o pedal do travão de estacionamento 3 vezes e lubrifique novamente o cabo do travão de estacionamento.
7. Fixe a cobertura lateral esquerda e a placa da estrutura.

Lubrificar as correntes no túnel da estrutura

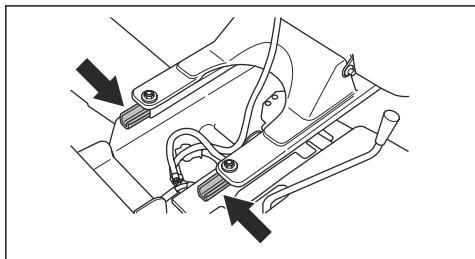
1. Remova os parafusos e remova a placa da estrutura.

2. Lubrifique a corrente no túnel da estrutura com óleo de motor ou spray lubrificante de correntes.



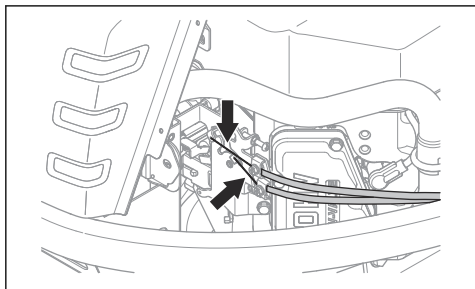
Lubrificar as calhas deslizantes do banco

1. Incline o banco para a frente.
2. Lubrifique as calhas deslizantes do banco com óleo de motor.



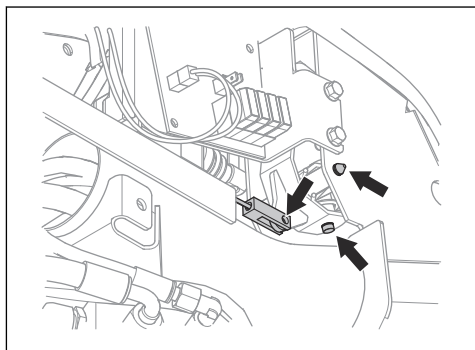
Lubrificar o cabo do acelerador, o cabo do estrangulador e os rolamentos da alavanca (P 524)

1. Retire a cobertura do lado direito.
2. Lubrifique as extremidades livres dos cabos, incluindo as extremidades junto ao motor, com óleo de motor.



3. Desloque o contro do acelerador, o controlo do estrangulador e os controlos da plataforma de corte para as posições finais e lubrifique novamente os cabos.

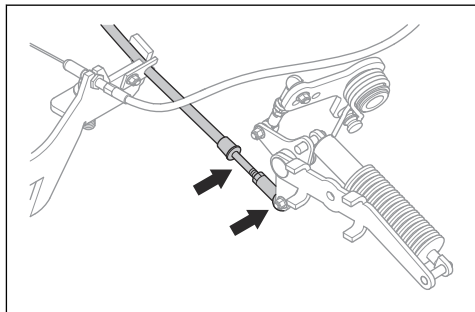
4. Lubrifique as uniões, as linguetas e os rolamentos dos controlos da plataforma de corte com óleo de motor.



5. Prenda a cobertura do lado direito.

Lubrificar o cabo da transmissão hidrostática

1. Lubrifique as uniões e os rolamentos do cabo da transmissão hidrostática com óleo de motor.
2. Remova a manga de borracha e lubrifique o cabo da transmissão hidrostática com óleo de motor.

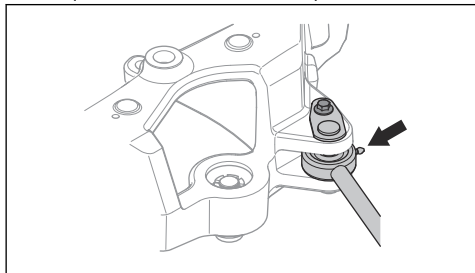


3. Pressione o pedal de marcha em frente 5 vezes e lubrifique novamente o cabo da transmissão hidrostática.
4. Fixe a manga de borracha.

Lubrificar o cilindro da direção

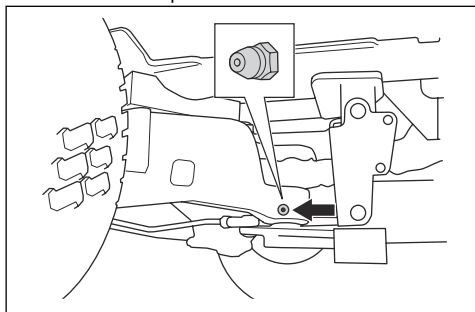
O cilindro da direção tem 2 copos de lubrificação, um em cada extremidade.

- Lubrifique com uma bomba de massa lubrificante até que a massa lubrificante saia para fora.



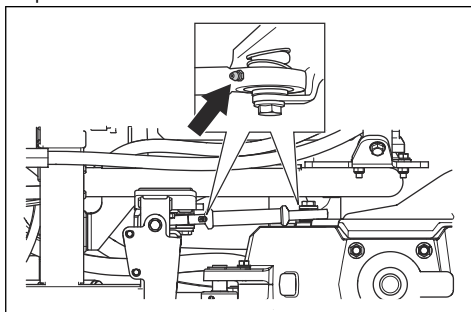
Lubrificar o rolamento da união

1. Lubrifique o rolamento da união da articulação com uma bomba de massa lubrificante até que a massa lubrificante saia para fora.



Lubrificar a barra de ligação

1. Existem 2 copos de lubrificação, um em cada lado da barra de ligação. Lubrifique com uma bomba de massa lubrificante até que a massa lubrificante saia para fora.



Resolução de problemas

Se não encontrar uma solução para os seus problemas neste manual, contacte uma oficina autorizada Husqvarna.

Problema	Causa
O motor de arranque não inverte o motor	O travão de estacionamento não está aplicado. Consulte <i>Aplicar e soltar o travão de estacionamento na página 169.</i>
	A alavanca de elevação da plataforma de corte está na posição de corte. Consulte <i>Levantar a plataforma de corte na página 165.</i>
	O fusível principal está fundido. Consulte <i>Substituir um fusível na página 177.</i>
	A fechadura da ignição está defeituosa.
	Mã ligação entre o cabo e a bateria. Consulte <i>Segurança da bateria na página 162.</i>
	A bateria está demasiado fraca. Consulte <i>Carregar a bateria na página 177.</i>
	O motor de arranque está defeituoso.

Problema	Causa
O motor não arranca quando o motor de arranque inverte o motor	Não há combustível no depósito de combustível. Consulte <i>Encher o depósito de combustível na página 164</i> .
	A vela de ignição está defeituosa.
	O cabo de ignição está defeituoso.
	Existe sujidade no carburador ou na linha de combustível (P 524).
	Existe sujidade na linha de combustível (P 524EFI).
O motor não funciona regularmente	A vela de ignição está defeituosa.
	O carburador não está bem colocado (P 524).
	O filtro de ar está obstruído. Consulte <i>Limpar e substituir o filtro de ar na página 176</i> .
	A ventilação do depósito de combustível está obstruída.
	Existe sujidade no carburador ou na linha de combustível (P 524).
	Existe sujidade na linha de combustível (P 524EFI).
	O cabo do estrangulador não está bem ajustado (P 524).
Aparentemente, o motor não tem potência	O filtro de ar está obstruído. Consulte <i>Limpar e substituir o filtro de ar na página 176</i> .
	A vela de ignição está defeituosa.
	Existe sujidade no carburador ou na linha de combustível (P 524).
	Existe sujidade na linha de combustível (P 524EFI).
	O cabo do acelerador está ajustado incorretamente.
A transmissão não tem potência suficiente	A admissão de ar frio da transmissão ou as aletas de arrefecimento estão obstruídas.
	Não existe óleo na transmissão ou o nível do óleo está demasiado baixo. Consulte <i>Verificar o nível do óleo da transmissão na página 185</i> .
A bateria não carrega	A bateria está defeituosa. Consulte <i>Segurança da bateria na página 162</i> .
	Má ligação nos conectores de cabos nos terminais da bateria. Consulte <i>Segurança da bateria na página 162</i> .
O produto vibra	As lâminas estão soltas. Consulte <i>Examinar as lâminas na página 183</i> .
	Uma ou mais lâminas estão desequilibradas. Consulte <i>Examinar as lâminas na página 183</i> .
	O motor está solto.

Problema	Causa
O resultado de corte não é satisfatório	As lâminas estão rombas. Consulte <i>Substituir as lâminas na página 183</i> .
	A relva é comprida ou está molhada. Consulte <i>Obter bons resultados de corte na página 169</i> .
	A bancada de corte está inclinada.
	Existe uma obstrução de relva na bancada de corte. Consulte <i>Limpar o produto na página 172</i> .
	A pressão dos pneus é diferente nos lados esquerdo e direito. Consulte <i>Pressão dos pneus na página 178</i> .
	O produto é utilizado a uma velocidade demasiado elevada. Consulte <i>Obter bons resultados de corte na página 169</i> .
	A velocidade do motor é demasiado baixa. Consulte <i>Obter bons resultados de corte na página 169</i> .
	A correia da transmissão salta.

Problemas relacionados com as luzes de aviso no modelo P 524EFI

Problema	Sintoma	Causa
A velocidade do motor desce para ralenti baixo e a luz de avaria no motor acende-se	O motor está demasiado quente.	Existe sujidade nas superfícies interiores da caixa do motor.
		O sensor de temperatura ou o circuito estão avariados.
	A tensão da bateria está incorreta.	A bateria está demasiado fraca ou avariada. Consulte <i>Carregar a bateria na página 177</i> .
		A fonte de alimentação ou o sistema de carregamento estão avariados.
	O sensor de utilização do acelerador de mão não funciona corretamente.	A cablagem é incorreta ou o sensor está avariado.
	A ECU interna/corpo do acelerador não funciona corretamente.	O controlo da válvula do acelerador está avariado.
A posição do sensor do acelerador está incorreta.		
A velocidade do motor desce para ralenti baixo e a luz de baixa pressão do óleo acende-se	A pressão do óleo é demasiado baixa.	O nível do óleo está demasiado baixo. Consulte <i>Verificar o nível do óleo de motor na página 183</i>
		O interruptor do óleo ou o circuito estão avariados.
		O sistema de lubrificação está avariado.

Transporte, armazenamento e eliminação

Transporte

- O produto é pesado e pode causar ferimentos graves por esmagamento. Tenha cuidado ao carregá-lo e descarregá-lo de um veículo ou reboque.
- Utilize um reboque aprovado para o transporte do produto.
- Certifique-se de que conhece as regras de trânsito locais antes de transportar o produto num reboque ou em estradas.

Fixar o produto em segurança num reboque para transportar



ATENÇÃO: O travão de estacionamento não é suficiente para bloquear o produto durante o transporte. Fixe o produto com firmeza no reboque.

Equipamento: 2 cintas tensoras aprovadas e 4 calços de rodas em forma de cunha.

1. Aplique o travão de estacionamento.
2. Fixe as cintas tensoras em redor da estrutura ou do vagão traseiro.
3. Aperte as cintas tensoras na direção da traseira e da dianteira do reboque para fixar o produto em segurança.
4. Coloque os calços de rodas em frente e atrás das rodas traseiras.

Rebocar o produto

O produto tem uma transmissão hidrostática. Para evitar danos na transmissão, reboque o produto a baixa velocidade e apenas em distâncias curtas.

Desengate a transmissão durante o reboque. Consulte o capítulo *Libertar e aplicar a pressão hidráulica na página 165*.

Armazenamento

Prepare o produto para armazenamento no final da estação e antes de mais de 30 dias de armazenamento. Se mantiver o combustível no depósito de combustível durante 30 dias ou mais, a aderência de partículas pode causar obstruções no carburador. Tal tem um efeito negativo no funcionamento do motor.

Para evitar a aderência de partículas durante o armazenamento, adicione um estabilizador. Se utilizar uma gasolina com base em alquilatos, não é necessário um estabilizador. Se utilizar gasolina normal, não mude para gasolina com alquilatos. Tal pode fazer com que as peças de borracha sensíveis se tornem rígidas. Adicione estabilizador ao combustível no depósito ou no recipiente utilizado para o armazenamento. Utilize sempre as proporções de mistura indicadas pelo

fabricante. Coloque o motor em funcionamento durante, pelo menos, 10 minutos após a adição do estabilizador, até que este flua para o carburador.



ATENÇÃO: Não mantenha o produto com combustível no depósito em espaços interiores ou em locais pouco ventilados. Risco de incêndio se os fumos do combustível se aproximarem de chamas abertas, faíscas ou luzes piloto, por exemplo, caldeiras, reservatórios de água quente e secadores de vestuário.



ATENÇÃO: Remova a relva, as folhas e outros materiais inflamáveis do produto para reduzir o risco de incêndio. Deixe o produto arrefecer antes de o armazenar.

- Limpe o produto; consulte *Limpar o produto na página 172*. Repare os danos na pintura para prevenir a corrosão.
- Examine o produto quanto a peças gastas ou danificadas e aperte as porcas e os parafusos soltos.
- Retire a bateria. Limpe-a, carregue-a e mantenha-a a uma temperatura baixa durante o armazenamento.
- Mude o óleo de motor e elimine o óleo usado.
- Esvazie o depósito de combustível. Ligue o motor e deixe-o trabalhar até não existir combustível no carburador.

Nota: Não esvazie o depósito de combustível e o carburador se tiver adicionado um estabilizador.

- Remova as velas e coloque, aproximadamente, uma colher de sopa de óleo de motor em cada cilindro. Rode manualmente o eixo do motor para aplicar o óleo e volte a colocar as velas.
- Lubrifique todos os copos de lubrificação, juntas e eixos.
- Guarde o produto numa área limpa e seca e cubra-o para proporcionar mais proteção.
- Pode adquirir uma cobertura de proteção para o produto durante o armazenamento ou o transporte no seu concessionário.

Eliminação

- Os produtos químicos podem ser perigosos e não podem ser eliminados no solo. Elimine sempre os químicos usados num centro de assistência ou numa localização de eliminação aplicável.
- Quando o produto estiver gasto, proceda ao respetivo envio para o concessionário ou para uma localização de reciclagem adequada.
- O óleo, os filtros de óleo, o combustível e a bateria podem ter efeitos negativos no meio ambiente.

Respeite os requisitos de reciclagem locais e os regulamentos aplicáveis.

- Não elimine a bateria como um lixo doméstico.
- Envie a bateria para uma oficina autorizada Husqvarna ou elimine-a numa localização de eliminação de baterias usadas.

Especificações técnicas

Especificações técnicas

	P 524	P 524EFI
Dimensões , consulte também <i>Dimensões do produto na página 198</i>		
Comprimento sem bancada de corte, mm	2058	2058
Peso sem bancada de corte e com depósitos vazios, kg	427	432
Dimensões dos pneus	18 × 8,50 × 8	18 × 8,50 × 8
Pressão dos pneus, traseiros – dianteiros, kPa/bar/PSI	100/1,0/14,5	100/1,0/14,5
Declive máx., graus °	10	10
Motor		
Marca/Modelo	Kawasaki / V-Twin, FX691V-KME09023	Kawasaki / V-Twin, FX730V-EFI-KME01609-C1
Potência nominal do motor, kW ¹³	13,9	15,6
Deslocamento, cm ³	726	726
Rotação máxima do motor, r/min.	3000 +/- 75	3000 +/- 75
Velocidade máx. em marcha em frente, km/h	13	13
Combustível, índice de octanas mín. sem chumbo	95 (máx. 5% de metanol, máx. 10% de etanol, máx. 15% de MTBE)	95 (máx. 5% de metanol, máx. 10% de etanol, máx. 15% de MTBE)
Volume do depósito, l	22	22
Óleo, classe API CD ou superior	SAE 10W/40	SAE 10W/40
Volume de óleo incluindo filtro, l	2,1	2,1
Volume do óleo excluindo filtro, l	1,8	1,8
Motor de arranque	Arranque elétrico de 12 V	Arranque elétrico de 12 V
Transmissão		
Marca/Modelo	Kanzaki / KTM 23	Kanzaki / KTM 23
Óleo, classe API SM, ACEA A3/B4	SAE 10W/50 Synthetic	SAE 10W/50 Synthetic
Capacidade de óleo da caixa de velocidades dianteira, l	0,9	0,9
Capacidade de óleo da caixa de velocidades traseira, l	0,9	0,9
Sistema hidráulico		
Pressão máx. de funcionamento, bar/psi	120/1740	120/1740

¹³ A potência nominal do motor indicado é a potência líquida média (a um valor de rpm especificado) de um motor de produção típico do modelo de motor avaliado de acordo com a norma J1349/ISO1585 da SAE. Motores produzidos em série poderão divergir deste valor. A potência real do motor instalado no produto final dependerá da velocidade de operação, das condições ambientais e de outros parâmetros.

	P 524	P 524EFI
Capacidade do depósito hidráulico, l	8	8
Capacidade do sistema hidráulico, l	13	13
Óleo, classe API SM ou superior	SAE 10W/50 Synthetic	SAE 10W/50 Synthetic
Sistema elétrico		
Tipo	12 V, negativo ligado à terra	12 V, negativo ligado à terra
Bateria	12 V, 24 Ah	12 V, 24 Ah
Vela de ignição	NGK BPR4ES	NGK BPR4ES
Fusível principal, tipo de pino plano, A	20	20
Fusível da tomada de alimentação, tipo de pino plano, A	5	5
Distância entre os eletrodos, mm/pol.	0,75/0,030	0,75/0,030
Lâmpadas	LED, 2×12 V 4,6–6,5 W, GU5.3, MR16	LED, 2×12 V 4,6–6,5 W, GU5.3, MR16
Bancada de corte		
Tipo	Combi 103	Combi 122
	Combi 112	
	Combi 122	

Bancada de corte	Combi 103	Combi 112	Combi 122
Largura de corte, mm	1030	1120	1220
Altura de corte, 7 posições, mm	25-80	25-80	25-80
Largura, mm	1120	1220	1330
Peso, kg	49	56	64
Lâmina			
Comprimento, mm	383	420	454
Número do artigo	5041904-10	5041878-10	5354294-10
Emissões de ruído¹⁴			
Nível de potência sonora, dB(A) medidos	99	99	102
Nível de potência sonora, dB(A) garantidos	100	100	104
Níveis acústicos¹⁵			
Nível de pressão sonora ao nível do ouvido do operador, dB (A)	86	85	89

¹⁴ Emissões de ruído para as imediações, medidas sob forma de potência sonora (L_{WA}) em conformidade com a diretiva da CE 2000/14/CE.

¹⁵ Nível de pressão sonora em conformidade com a norma EN ISO 5395. Os dados comunicados relativamente ao nível de pressão de ruído têm uma dispersão estatística típica (desvio padrão) de 1,2 dB(A).

Bancada de corte	Combi 103	Combi 112	Combi 122
Níveis de vibração¹⁶			
Nível de vibração no volante, m/s ²	1,7	1,7	1,7
Nível de vibração no banco, m/s ²	0,7	0,7	0,7

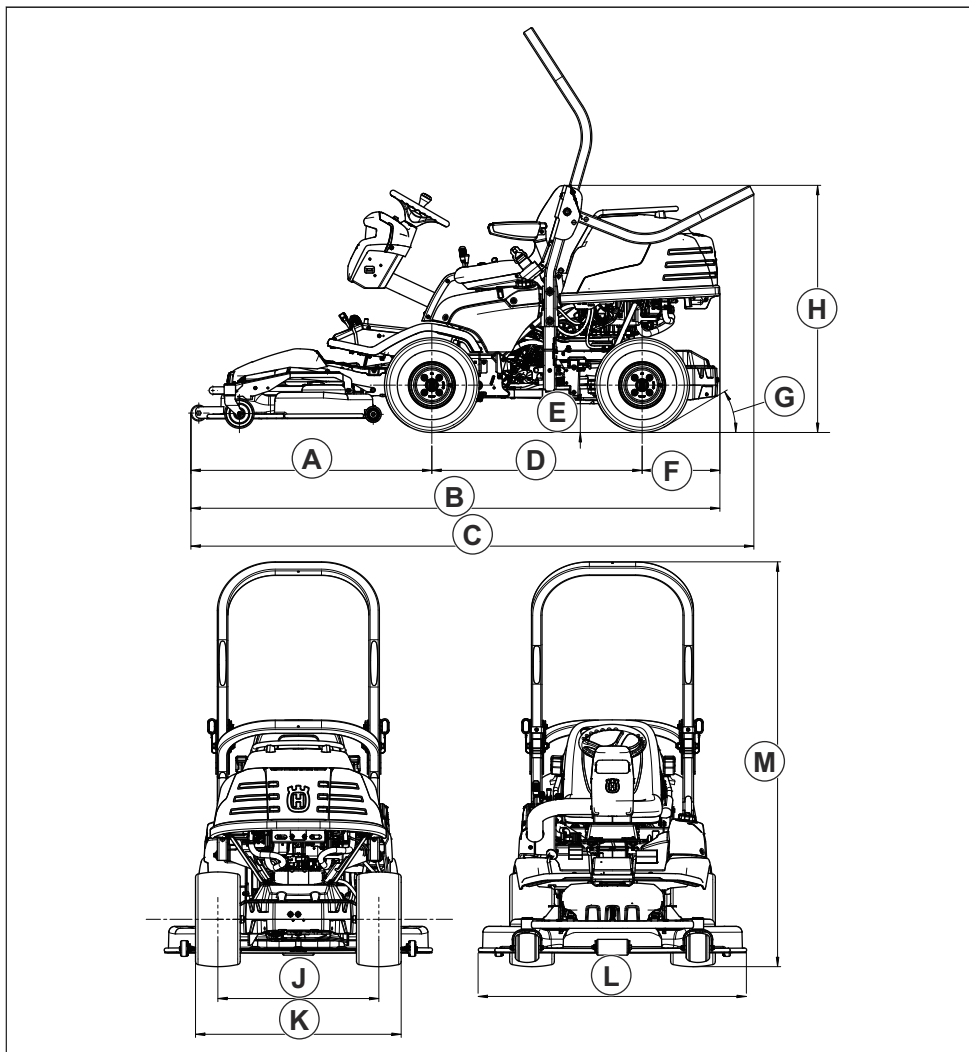


ATENÇÃO: Utilizar uma bancada de corte que não esteja aprovada para o produto pode provocar a projeção de objetos a velocidades elevadas e causar ferimentos

graves. Não utilize outros tipos de bancada de corte que não o especificado neste manual do proprietário.

¹⁶ Nível de vibração em conformidade com a norma EN ISO 5395. Os dados comunicados relativas ao nível de vibração têm uma dispersão estatística típica (desvio padrão) de 0,2 m/s² (volante) e 0,8 m/s² (banco).

Dimensões do produto



As dimensões que incluem a plataforma de corte são medidas com a plataforma de corte Combi 122.

A	1145 mm	D	1000 mm	G	30°	K	977 mm
B	2514 mm	E	137 mm	H	1174 mm	L	1275 mm
C	2675 mm	F	370 mm	J	765 mm	M	1924 mm

Acessórios

As instruções de manutenção de equipamentos ou acessórios opcionais não são fornecidas neste manual

do utilizador. Consulte as instruções do acessório ou equipamento no respetivo manual do utilizador.

Assistência

Efetue uma verificação anual num centro de assistência autorizado para se certificar de que o produto funciona em segurança e nas melhores condições durante a estação de grande utilização. A melhor altura para a manutenção ou revisão geral do produto é a época baixa.

Quando fizer uma encomenda de peças sobresselentes, forneça informações sobre o ano de compra, o modelo, o tipo e o número de série.

Utilize sempre peças sobresselentes originais.

Garantia

Garantia da transmissão

A garantia da transmissão apenas se aplica se forem efetuadas verificações da velocidade das rodas dianteiras e traseiras conforme especificadas no esquema de manutenção. Para prevenir danos no sistema da transmissão, solicite o respetivo ajuste numa oficina aprovada.

Declaração CE de conformidade

Declaração CE de conformidade

A **Husqvarna AB**, SE-561 82 Huskvarna, Suécia, tel: +46-36-146500, declara que os **tratores corta relva Husqvarna P 524 e P 524EFI**, com números de série de 2018 e seguintes (o ano está claramente indicado em texto simples na etiqueta de tipo, seguido do número de série), estão em conformidade com o estipulado na DIRETIVA DO CONSELHO:

- de 17 de maio de 2006 "referente a máquinas" **2006/42/CE**
- de 26 de fevereiro de 2014 "referente à compatibilidade eletromagnética" **2014/30/UE**
- de 8 de maio de 2000 "referente a emissões de ruído para o ambiente" **2000/14/CE**

Para obter informações relativas às emissões de ruído e a largura de corte; consulte as Especificações técnicas.

Foram respeitadas as seguintes normas uniformizadas:

EN ISO 12100, EN ISO 5395-1, EN ISO 5395-3

Salvo indicação em contrário, as normas apresentadas acima são as versões publicadas mais recentes.

Entidade competente: **0404, RISE SMP Svensk Maskinprovning AB, Box 7035, SE-750 07 Uppsala** emitiu relatórios relativos à avaliação de conformidade de acordo com o anexo VI da DIRETIVA DO CONSELHO de 8 de maio de 2000 "referente a emissões de ruído para o ambiente " 2000/14/CE.

Os certificados têm os números: 01/901/141, 01/901/308

Huskvarna, 2018-05-18



Claes Losdal, Chefe de Desenvolvimento/Produtos de Jardinagem (representante autorizado da Husqvarna AB e responsável pela documentação técnica)



www.husqvarna.com

Original instructions
Instrucciones originales
Istruzioni originali
Instruções originais

1159066-30



2018-06-13