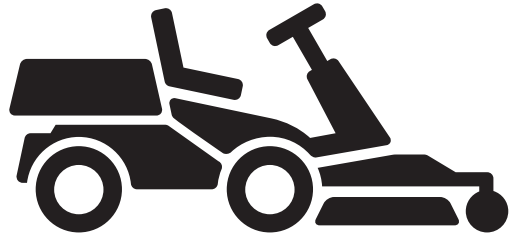




 **Husqvarna**[®]



R 419TsX AWD, R 420TsX AWD

EN	Operator's manual	2-40
ES	Manual de usuario	41-83
PT	Manual do utilizador	84-125
IT	Manuale dell'operatore	126-167

Contents

Introduction.....	2	Transportation, storage and disposal.....	35
Safety.....	9	Technical data.....	37
Assembly.....	13	Service.....	39
Operation.....	15	Warranty.....	39
Maintenance.....	19	EC Declaration of Conformity.....	40
Troubleshooting.....	32	Registered trademarks.....	40

Introduction

Pre-delivery inspection and product numbers

Note: A pre-delivery inspection has been done of this product. Make sure that you receive a signed copy of the pre-delivery inspection document from your dealer.

Service agent contact information:	
This operator's manual belongs to product with product number / serial number:	
/	
Engine:	
Transmission:	

Product description

The R 419TsX AWD and R 420TsX AWD are ride-on lawn mowers. Forward and reverse pedals let the operator adjust the speed seamlessly. R 419TsX AWD and R 420TsX AWD have all-wheel drive (AWD) and an hour meter shows how many hours the operator has used the product. The products have headlights, a storage area and a tow bar. The products are used with Combi cutting decks with BioClip.

Intended use

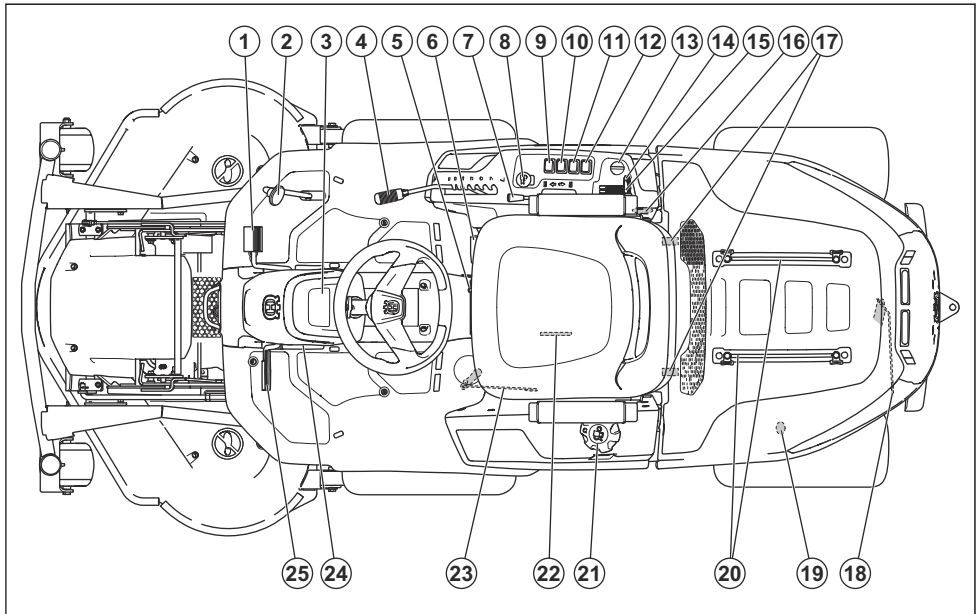
The product is made to cut grass on open and level ground in residential areas and gardens. Attach an

optional accessory to use the product for other tasks. Speak to your Husqvarna dealer for more information about which accessories that are available.

Insure your product

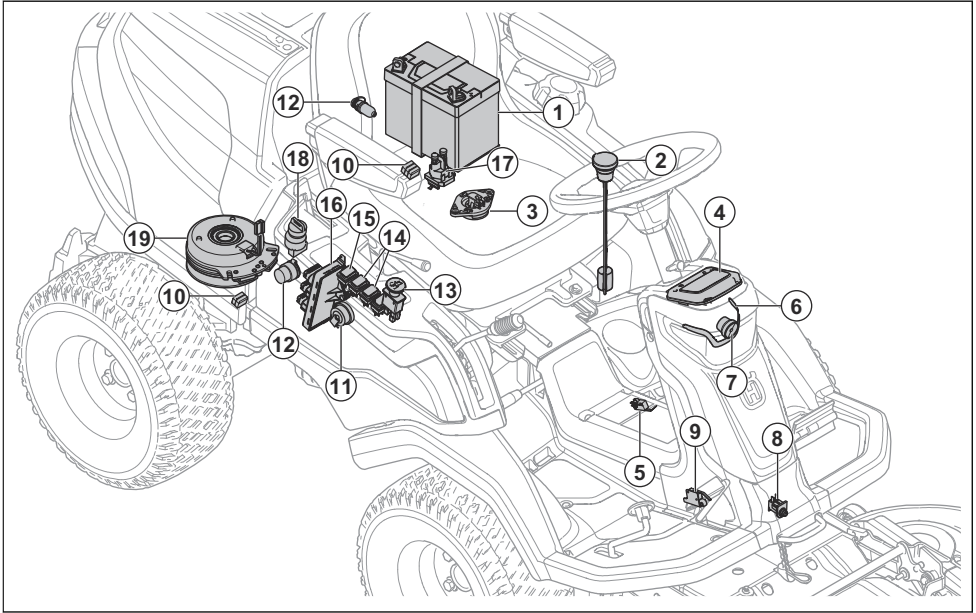
Make sure that you have insurance coverage for your new product. Speak to your insurance company if you are not sure. We recommend a fully comprehensive insurance that includes third party, fire, damage, theft and liability.

Product overview



1. Forward drive pedal
2. Rearward drive pedal
3. Display
4. Cutting height lever
5. Seat adjustment lever
6. Weight transfer lever
7. Lift lever for the cutting deck
8. PTO button
9. Function switch for the rear power outlet
10. Power switch for the rear power outlet
11. Power switch for the power outlet on the right side control panel
12. Power switch for headlights
13. Ignition key
14. Throttle lever
15. Choke lever, R 420TsX AWD
16. Power outlet 12V
17. Engine cover clips
18. Lever to engage or disengage the drive on the rear axle
19. Rear power outlet 12V
20. Rails for the storage area
21. Fuel tank cap
22. Type plate with scannable codes
23. Lever to engage or disengage the drive on the front axle
24. Lock button for parking brake
25. Parking brake and service brake pedal

Electrical system overview



1. Battery
2. Fuel sensor
3. Operator presence control (OPC)
4. Display
5. Weight transfer sensor
6. Work light
7. High beam light
8. Cutting deck sensor
9. Microswitch, parking brake
10. Fuses
11. Buzzer
12. Power outlet
13. PTO button
14. Power switch for the power outlets
15. Power switch for the headlights
16. Mower control module
17. Start solenoid
18. Ignition key
19. PTO clutch

Mower control module

The product has a mower control module that gives the operator information about the product. The information shows on the display on the instrument panel. Refer to *Display on page 7*.

The mower control module enables the servicing dealer to connect to the product when they do servicing.

Husqvarna Connect

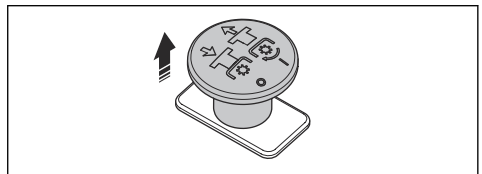
The product has *Bluetooth®* wireless technology and can connect to mobile devices that have the Husqvarna Connect app installed. The Husqvarna Connect app is a free app for your mobile device. The Husqvarna Connect app gives extended functions for your Husqvarna product:

- Lock and unlock function to prevent not approved operation of the product.
- Extended product information.
- Information about, and help with, product parts and servicing.

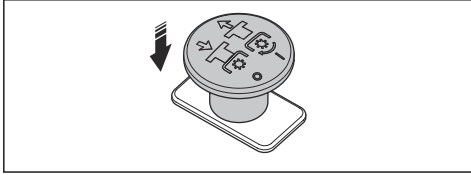
PTO (Power Take-Off) button

The PTO button engages and disengages the drive of the blades on the cutting deck. The correct start conditions must be obeyed to engage the drive of the blades. Refer to *Operation conditions on page 11*.

- Pull the PTO button out to engage the drive of blades.



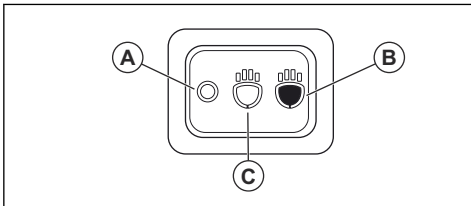
- Push the PTO button in to disengage the drive of blades.



Headlights

The headlight has work light and high beam light.

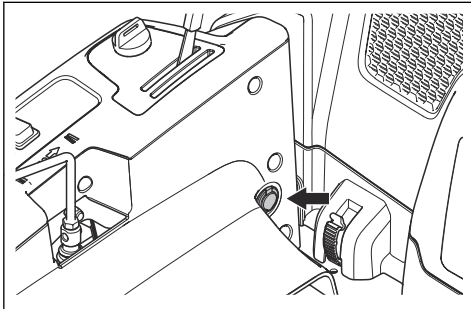
Push the power switch to make the work lights come on (B) or go off (A). Push the power switch to make the high beam light and the work light come on (C) or go off (A).



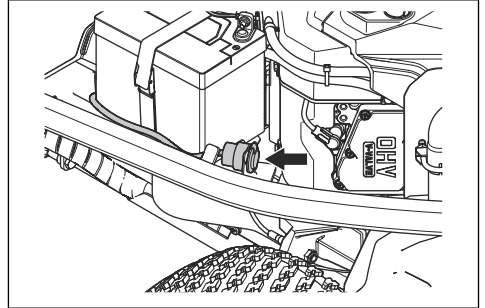
The work light stays on for 3 minutes after the product stops. When the headlights are on, the display shows the headlight symbol. Refer to *Display on page 7*.

Power outlet

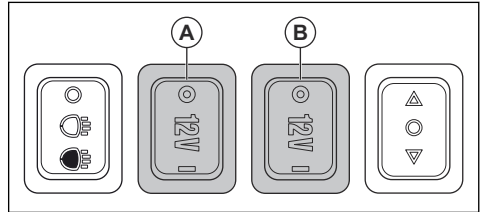
The product has 2 power outlets. The power outlet on the right side control panel by the the seat has a voltage of 12 V.



The power outlet in the engine housing has a voltage of 12 V.

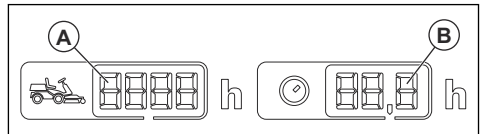


- Push the power switch (A) to set the power outlet in the engine housing to on or off.
- Push the power switch (B) to set the power outlet on the right side control panel to on or off.



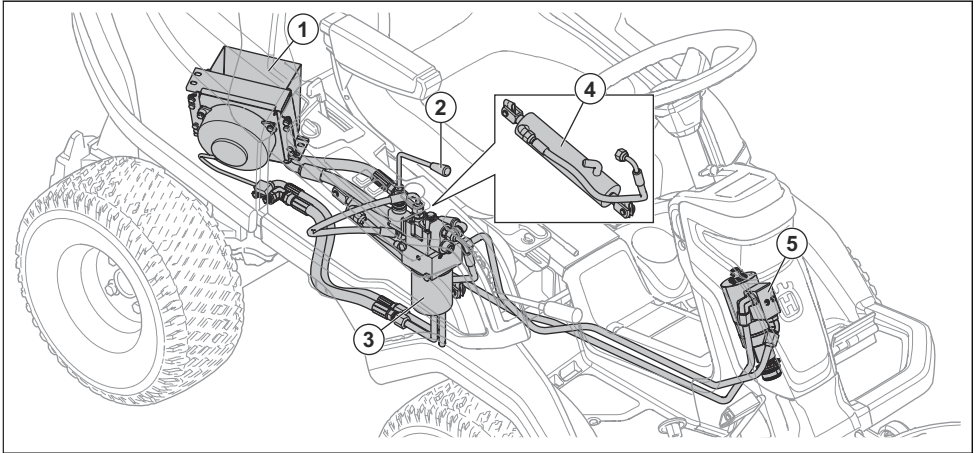
Hour meter

The product has 2 hour meters on the display. The hour meters show how many hours of operation of the engine has in total (A) and during the operation period (B). A new operation period starts if the engine is off at a minimum of 6 h.



The time with ignition on but engine off, is not registered. The last digit shows tenth of an hour (6 minutes).

Hydraulic system overview

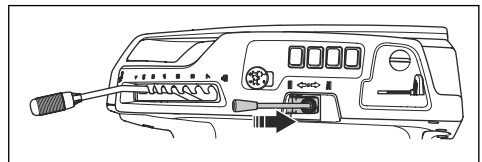


1. Hydraulic oil cooler
2. Lift lever
3. Oil filter
4. Cylinder
5. Central steering unit

hydraulic lift uses hydraulic pressure and the engine must be started for the lift to operate.

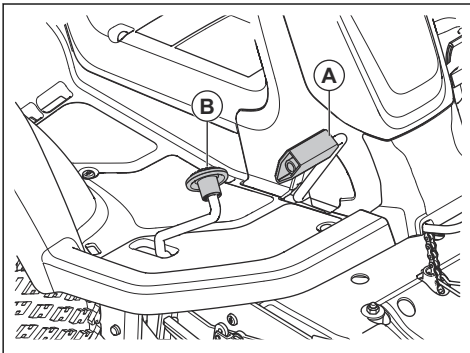
Forward and rearward pedals

The speed is gradually adjusted with 2 pedals. The left pedal (A) is used to move forward, and the right pedal (B) is used to move rearward. The product brakes when the pedals are released.



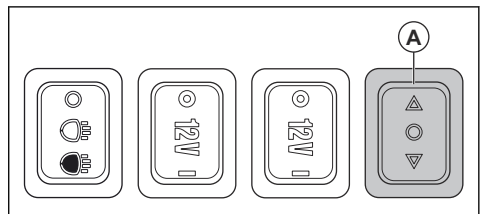
Function switch for the rear power outlet

The function switch (A) is used to operate some of the approved accessories connected to the rear power outlet. The function switch has different functions on different types of accessories. Refer to the operator's manual for the accessory.



Lift lever for the hydraulic lift of the cutting deck

The lift lever controls the hydraulic lift. Use the hydraulic lift to lift the cutting deck to the transport position and to lower the cutting deck to the mow position. The

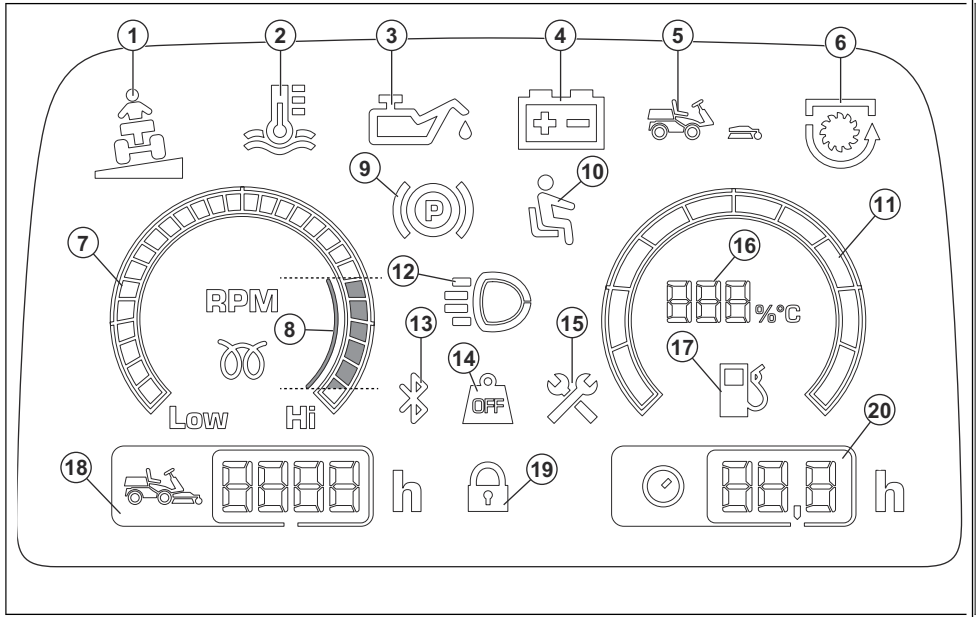


Cutting deck

The cutting decks for this product are Combi cutting decks with BioClip. BioClip cuts the grass into fertilizer. The Combi cutting decks can also be used without BioClip. Without BioClip the grass is ejected to the rear.

Display

The display on the instrument panel shows information of the status of the product.



1. Slope indicator
2. Hydraulic temperature indicator
3. Oil pressure indicator
4. Battery level indicator
5. Indicator for cutting deck presence
6. PTO indicator
7. Tachometer
8. Recommended engine RPM when you operate the product.
9. Parking brake indicator
10. Operator presence control (OPC)
11. Fuel gauge
12. Work light or high beam light indicator
13. Bluetooth®
14. Weight transfer disengaged
15. Service indicator
16. Fuel gauge measured in steps of 10%
17. Low fuel level indicator
18. Total run time
19. Digital lock
20. Operation run time

Note: The look of the display can be different between different models.

Symbols on the product



WARNING: Careless or incorrect use can result in serious injury or death to the operator or others.



Read the operator's manual carefully and make sure that you understand the instructions before use.



Rotating blades. Keep body parts away.



Warning: rotating parts. Keep body parts away.



Look out for ejecting objects and ricochets.



Never use the product if persons, especially children, or animals, are in the vicinity.



Look behind you before and while you move the product in reverse.



Never cut grass across a slope. Do not cut grass on ground that slopes more than 10°. Refer to *To cut grass on slopes on page 12*.



Never carry passengers on the product or equipment.



Move forward.

N

Neutral gear.



Move rearward.



Parking brake.



This product is in accordance with applicable EC directives.



Noise emission to the environment according to the European Community's Directive. The product's emission is specified in the Technical data chapter and on the label.



Always use approved hearing protection.



Weight transfer disengaged.



Weight transfer engaged.



Stop the engine.

START

Start the engine.



Engine speed – fast.



Engine speed – slow.



Fuel.



Max. ethanol 10%.



Cutting height.



The service position for the cutting height lever.



The blades are engaged.



The blades are disengaged.



Transport position for the cutting deck.



Operation position for the cutting deck.



Engage and disengage the drive system.



Oil level.

Note: Other symbols/decals on the product refer to certification requirements for some commercial areas.

EU V



WARNING: Tampering with the engine voids the EU type-approval of this product.

Product liability

As referred to in the product liability laws, we are not liable for damages that our product causes if:

- the product is incorrectly repaired.

- the product is repaired with parts that are not from the manufacturer or not approved by the manufacturer.
- the product has an accessory that is not from the manufacturer or not approved by the manufacturer.
- the product is not repaired at an approved service center or by an approved authority.

Safety

Safety definitions

Warnings, cautions and notes are used to point out specially important parts of the manual.



WARNING: Used if there is a risk of injury or death for the operator or bystanders if the instructions in the manual are not obeyed.



CAUTION: Used if there is a risk of damage to the product, other materials or the adjacent area if the instructions in the manual are not obeyed.

Note: Used to give more information that is necessary in a given situation.

General safety instructions



WARNING: This product can cut off hands and feet and throw objects. Serious injury or death may occur if you do not obey the safety instructions.



WARNING: Do not continue to use a product with damaged cutting equipment. Damaged cutting equipment can throw objects and cause serious injury or death. Replace damaged blades immediately.



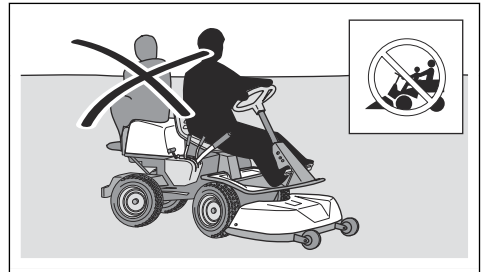
WARNING: This product produces an electromagnetic field during operation. This field may under some circumstances interfere with active or passive medical implants. To reduce the risk of serious or fatal injury we recommend persons with medical implants to consult their physician and the medical implant manufacturer before operating this product.



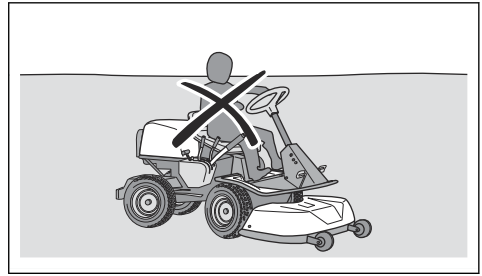
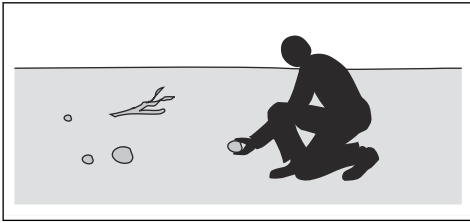
WARNING: Read the warning instructions that follow before you use the product.

- Always be careful and use your common sense. Avoid all situations which you consider to be beyond your capability. If you feel uncertainty about the operating procedures after you read the operator's manual, consult an expert before you continue.

- Read and understand the operator's manual and the instructions on the product carefully before you start the product.
- Learn how to use the product and its controls safely and learn how to stop the product quickly.
- Learn to recognize the safety decals.
- Keep the product clean to make sure that you can clearly read signs and stickers.
- Keep in mind that the operator will be held responsible for accidents that involve other persons or their property.
- Do not transport passengers. The product must only be used by one person.



- Do not let the product stay unsupervised with the engine on. Always stop the blades, apply the parking brake, stop the engine and remove the ignition key before you let the product stay unsupervised.
- Only use the product in daylight or in other well-lit conditions. Keep the product at a safe distance from holes or other irregularities in the ground. Look out for other possible risks.
- Do not use the product in bad weather, for example in fog, in rain, moist or in wet locations, strong winds, intense cold, risk of lightning, etc.
- Find and mark stones and other fixed objects to prevent collision.
- Clear the area of objects such as stones, toys, wires, etc. that may become caught in the blades and be thrown out.



- Do not let children or other persons not approved for operation of the product to use or do servicing on it. Local laws may regulate the age of the user.
- Make sure that nobody else is in the vicinity of the product when you start the engine, engage the drive or start to move the product.
- Keep an eye on the traffic when you mow near a road or move across a road.
- Do not use the product if you are fatigued, while under the influence of alcohol or drugs, medicine or anything that can have a negative effect on your vision, alertness, coordination or judgement.
- Always park the product on a level surface with the engine stopped.

Safety instructions for operation



WARNING: Do not touch the engine or exhaust system during or directly after operation. The engine and the exhaust system become very hot during operation. Risk of burn injuries, fire and damage to property or adjacent areas. When you operate the product, keep away from bushes and other objects.



WARNING: Read the warning instructions that follow before you use the product.

- Always look down and behind you before and while you move in reverse. Look out for large and small obstacles.
- Decrease the speed before you turn around a corner.
- Stop the blades when you move across areas that you do not cut.



CAUTION: Read the caution instructions that follow before you use the product.

- Before you operate the product, clear the cold air intake of the engine from grass and dirt. If the cold air intake is blocked, there is a risk of engine damage.
- Move around stones and other larger objects carefully and make sure that the blades do not hit the objects.
- Do not operate the product across objects. Stop and examine the product and cutting deck if you operate the product across or into an object. If it is necessary, make repairs before you restart.

Personal protective equipment



WARNING: Read the warning instructions that follow before you use the product.

- Use approved personal protective equipment when you use the product. Personal protective equipment

Safety instructions regarding children

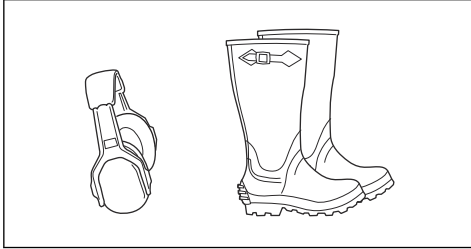


WARNING: Read the warning instructions that follow before you use the product.

- Serious accidents can occur if you are not on your guard for children in the vicinity of the product. Children can be attracted to the product and to mowing. It is very possible that children do not stay where you last saw them.
- Keep children away from the area to be mowed. Make sure that an adult is responsible for the children.
- Keep an eye out and stop the product if children enter the work area. Be very careful near corners, bushes, trees or other objects that prevents a clear view.
- Before and while you move the product in reverse, look behind you and look down to make sure there are no small children in the vicinity of the product.
- Do not let children ride along. They can fall off and get seriously injured or prevent safe maneuvering of the product.
- Do not let children operate the product.

cannot fully prevent injury but it decreases the degree of injury if an accident does occur. Let your dealer help you select the right equipment.

- Always wear approved hearing protection. Long term exposure to noise can result in permanent hearing impairment.
- Always wear protective shoes or protective boots. Steel toes are recommended. Do not use the product barefoot.



- Wear gloves when necessary, for example when you attach, examine or clean the cutting equipment.
- Do not wear loose-fitting clothing, jewelry or other items that can get caught in moving parts.
- Keep first aid equipment and fire extinguisher close at hand.

Safety devices on the product



WARNING: Read the warning instructions that follow before you use the product.

- Do not use a product with defective safety devices. Do a check of the safety devices regularly. If the safety devices are defective, speak to your Husqvarna service agent.
- Do not make modifications on safety devices. Do not use the product if protective plates, protective covers, safety switches or other protective devices are not attached or are defective.

To do a check of the ignition lock

- Start and stop the engine to do a check of the ignition lock. See *To start the engine on page 17* and *To stop the engine on page 18*.
- Make sure that the engine starts when you turn the ignition key to START.
- Make sure that the engine stops immediately when you turn the ignition key to STOP.

Operation conditions

These conditions are necessary to start the engine:

- The operator is in the seat.
- The parking brake is applied.
- The drive of the blades is disengaged.

The engine must stop in these situations:

- The parking brake is not applied and the operator lifts from the seat.

The drive of the blades must stop in these situations:

- The parking brake is applied and the operator lifts from the seat.
- The PTO button is pushed down.

Try to start the engine without one of the conditions. Change the conditions and try again. Do this check daily.

To do a check of the speed limiter

- Release the forward pedal to brake.
- For more brake power, press the reverse pedal.
- Make sure that the forward and reverse pedals are not blocked and can be operated freely.
- Make sure that the product brakes when the forward pedal is released.

Parking brake



WARNING: If the parking brake does not work, the product can start to move and cause injury or damage. Make sure that the parking brake is regularly examined and adjusted.

See *To do a check of the parking brake on page 22*.

Muffler

The muffler keeps the noise levels to a minimum and sends the exhaust fumes away from the operator.

Do not use the product if the muffler is missing or defective. A defective muffler increases the noise level and the risk of fire.



WARNING: The muffler becomes very hot during and after use and when the engine operates at idle speed. Be careful near flammable materials and/or fumes to prevent fire.

To do a check of the muffler

- Examine the muffler regularly to make sure that it is attached correctly and not damaged.

Protective covers

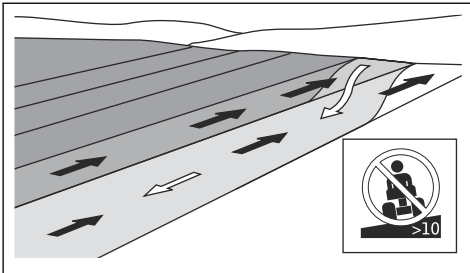
Missing or damaged protective covers increase the risk of injury on moving parts and hot surfaces. Do a check of the protective covers before you operate the product. Make sure that the protective covers are correctly attached and do not have cracks or other damages. Replace damaged covers.

To cut grass on slopes

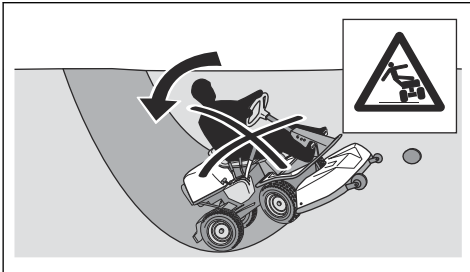


WARNING: Read the warning instructions that follow before you use the product.

- To cut grass on slopes increases the risk that you can not control the product and that it overturns. This can cause injury or death. It is necessary to cut the grass carefully on all slopes. If you cannot reverse up a slope or if you do not feel safe, do not cut it.
- Remove stones, branches and other obstacles.
- Cut up and down the slope, not from side to side.
- Do not move down a slope with the cutting deck lifted.
- Do not operate the product on ground that slopes more than 10°.



- Do not start or stop on a slope.
- Move smoothly and slowly on slopes.
- Do not make sudden changes in speed or direction.
- Do not turn more than necessary. Turn slowly and gradually when you move down a slope. Move at low speed. Turn the wheel carefully.
- Look out for and do not move across furrows, holes and bumps. There is a higher risk that the product overturns on ground that is not flat. Long grass can hide obstacles.
- Do not cut grass near edges, ditches or banks. The product can suddenly overturn if a wheel moves across the edge of a steep slope or a ditch, or if an edge gives way. If the product falls into water, there is a risk of drowning.



- Do not mow wet grass. It is slippery, and tires can lose their grip so that the product skids.

- Do not put your foot on the ground to try to make the product more stable.
- Move very carefully if an accessory or other object is attached that can make the product less stable.
- To increase stability, attach counterweights. Speak to your dealer for more information.

Tow safety

- Only use tow equipment approved by Husqvarna.
- Use the tow bar to attach the equipment.
- Do not tow equipment that is heavier than the maximum permitted weight. Refer to *Technical data on page 37*.
- Make sure that no other persons is near the product when you tow equipment.
- Do not tow equipment on slopes or rough ground.
- Operate the product at low speed when you tow equipment.

Fuel safety



WARNING: Be careful with fuel. It is very flammable, and can cause injury and damage to property.



WARNING: Read the warning instructions that follow before you use the product.

- Do not fill the fuel tank indoors.
- Gasoline and gasoline fumes are poisonous and very flammable. Be careful with gasoline to prevent injury or fire.
- Do not remove the fuel tank cap or fill the fuel tank when the engine is on.
- Let the engine become cool before you refuel.
- Do not smoke when you fill fuel.
- Do not fill fuel near sparks or naked flames.
- If there are leaks in the fuel system, do not start the engine until the leaks are repaired.
- Do not fill above recommended fuel level. The heat from the engine and the sun makes the fuel expand and the fuel overflows if the tank is filled too much.
- Do not fill too much. If you spill fuel on the product, clean up the spill and wait until it is dry before you start the engine. If you spill on your clothing, change it.
- Store fuel in approved containers only.
- Store the product and fuel in such a way that there is no risk that fuel leaks or fumes can cause damage.
- Drain off the fuel in an approved container outdoors and away from naked flames.

Transport safety

- Use an approved transport vehicle for transportation of the product.

- A markets national or local regulations can set limit to the transportation of the product.
- The operator of the transport vehicle is responsible to attach the product safely during transport.

Battery safety



WARNING: A damaged battery can cause an explosion and cause injury. If the battery has a deformation or is damaged, speak to an approved Husqvarna service agent.



WARNING: Read the warning instructions that follow before you use the product.

- Use protective glasses when you are near batteries.
- Do not wear watches, jewelry or other metal objects near the battery.
- Keep the battery out of reach for children.
- Charge the battery in a space with good airflow.
- Keep flammable materials at a minimum clearance of 1 m when you charge the battery.
- Discard replaced batteries. See *Disposal on page 36*.
- Explosive gases can come from the battery. Do not smoke near the battery. Keep the battery away from open flames and sparks.

Safety instructions for maintenance



WARNING: The product is heavy and can cause injury or damage to property or the adjacent area. Do not do maintenance on the engine or the cutting deck without these conditions:

- The engine is off.
- The product is parked on a level surface.
- The parking brake is applied.
- The ignition key is removed.
- The cutting deck is disengaged.
- The ignition cables are removed from the plugs.



WARNING: The exhaust fumes from the engine contain carbon monoxide, an odourless, poisonous and very dangerous gas. Do not run the product in closed spaces or spaces with not sufficient air flow.



WARNING: Read the warning instructions that follow before you use the product.

- For best performance and safety, do maintenance on the product regularly as given in the maintenance schedule. See *Maintenance schedule for the operator on page 19*.
- Electrical shocks can cause injuries. Do not touch the cables when the engine is on. Do not do a function test on the ignition system with your fingers.
- Do not start the engine if the protective covers are removed. There is a high risk of injury caused by moving or hot parts.
- Let the product become cool before you do maintenance near the engine.
- The blades are sharp and can cause cuts. Wind protection around the blades or use protective gloves when you do work on the blades.
- Always put the cutting deck in servicing position to clean it. Do not park the product near the edge of a ditch or slope to get access to the cutting deck.



CAUTION: Read the caution instructions that follow before you use the product.

- Do not turn over the engine if the spark plug or ignition cable is removed.
- Make sure that all nuts and bolts are tightened correctly and that the equipment is in good condition.
- Do not change the adjustment of governors. If the engine speed is too high, the product components can become damaged. See *Technical data on page 37* for highest permitted engine speed.
- The product is approved only with the equipment supplied or recommended by the manufacturer.

Assembly

Introduction

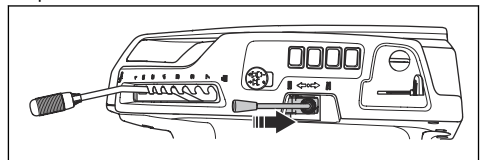


WARNING: Read and understand the safety chapter before you assemble the product.

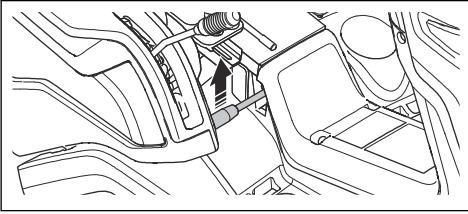
To attach the cutting deck

1. Park the product on level ground.
2. Apply the parking brake.

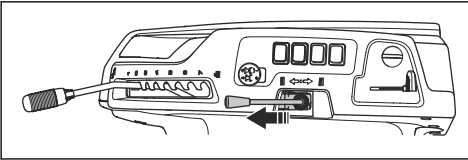
3. Set the lift lever for the cutting deck in transport position.



4. Move the weight transfer lever up to disengage the weight transfer.

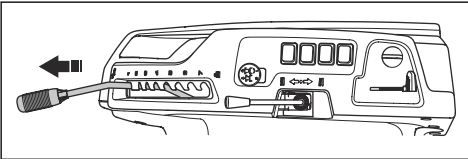


5. Set the lift lever for the cutting deck in the mow position.

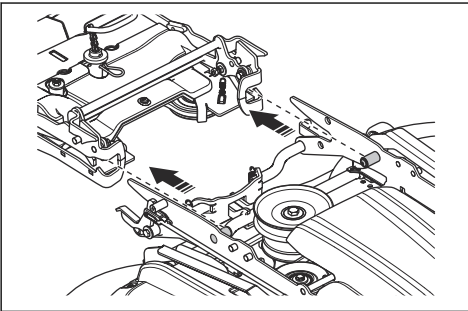


6. Stop the engine.

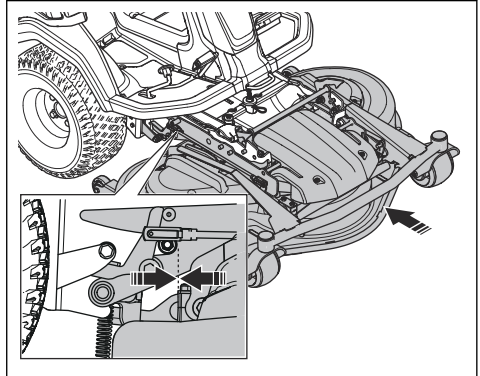
7. Set the cutting height lever to the servicing position.



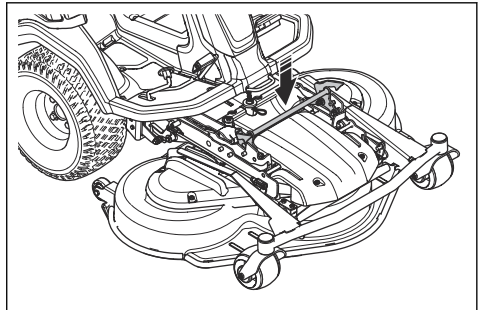
8. Align the cutting deck to the equipment frame.



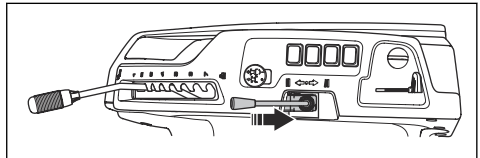
9. Push the cutting deck into the equipment frame forward until it stops.



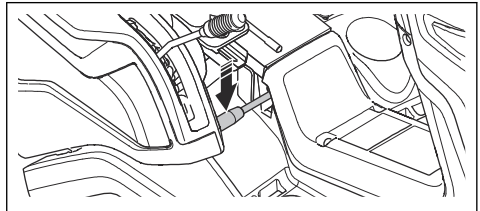
10. Push the lock handle down.



11. Set the lift lever for the cutting deck in the transport position.



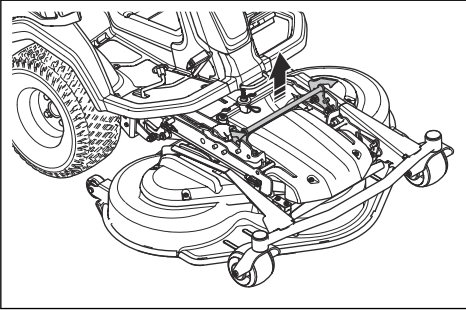
12. Move the weight transfer lever down to engage the weight transfer.



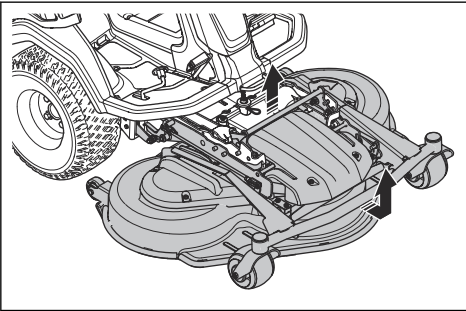
To remove the cutting deck

1. Do the steps 1–7 in *To attach the cutting deck on page 13.*

2. Pull and hold the lock handle.



3. Hold the front edge of the cutting deck and pull forward while you hold the lock handle. Pull the cutting deck to the end position.



Note: If you cannot pull the cutting deck to its end position, release the lock handle and pull it up again.

4. Pull and hold the lock handle and lift the front of the cutting deck until it releases. Lift until the front of the cutting deck is released from the equipment frame.
5. Pull the cutting deck out.

Operation

Introduction



WARNING: Before you operate the product, you must read and understand the safety chapter.



CAUTION: Incorrect type of fuel can result in engine damage.

To start to use Husqvarna Connect

1. Download the Husqvarna Connect app on your mobile device.
2. Register in the Husqvarna Connect app.
3. Do the instruction steps in the Husqvarna Connect app to connect and register the product.

The engine runs on gasoline with a minimum octane rating of 91 RON (87 AKI), not mixed with oil. We recommend biodegradable alkylate gasoline. Do not use gasoline that contains more than 10% ethanol.

- Do a check of the fuel level before each use and refuel if necessary.
- Do not fully fill the fuel tank. Keep a space of a minimum 2.5 cm.

To fill fuel



WARNING: Gasoline is very flammable. Be careful and refuel outdoors (see *Fuel safety on page 12*).



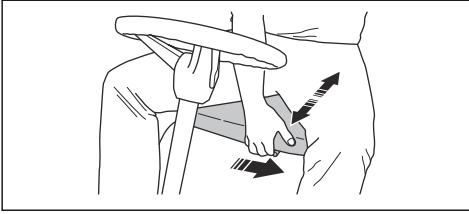
WARNING: Do not adjust the seat during operation of the product.

1. To adjust the seat forward and rearward, put your feet on the footrest plates.
2. Push the lever below the front edge of the seat, to the side.

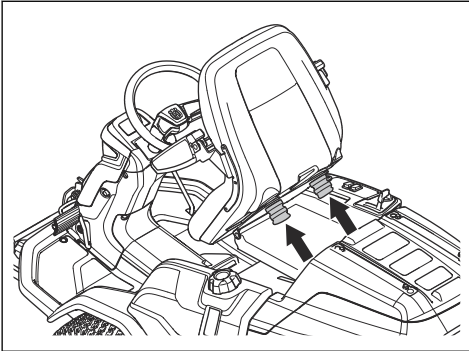


WARNING: Do not use the fuel tank as a support area.

3. Move the seat to the position that is correct for you.



4. To adjust the seat springs, move the 2 rubber stops below the seat as given in the illustration. Put the 2 rubber stops in the front, middle or rear holes below the seat.

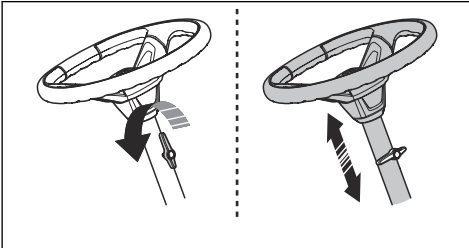


To adjust height of the steering wheel



WARNING: Do not adjust the height of the steering wheel during operation of the product.

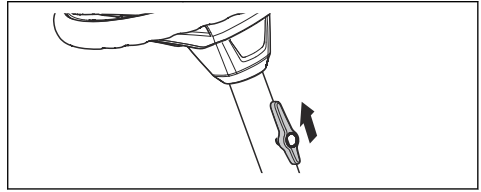
1. Turn the knob counterclockwise to loosen.



2. Adjust the height of the steering wheel.
3. Turn the knob clockwise to tighten.

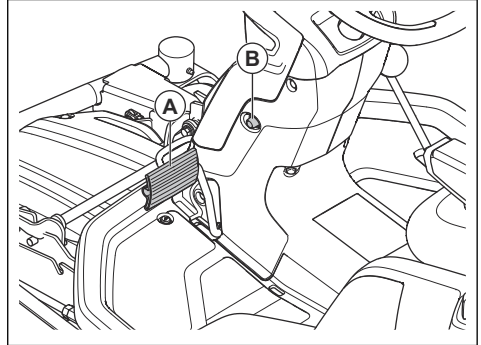


CAUTION: Make sure that the long end of the knob points up.



To apply and release the parking brake

1. Push the parking brake pedal down (A).
2. Push and hold the lock button (B).

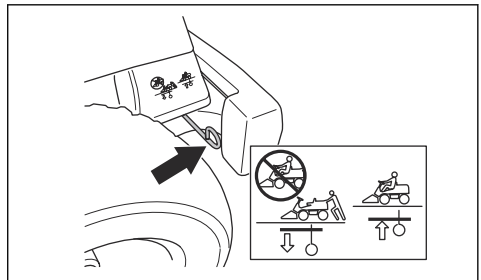


3. Keep the lock button pushed and release the parking brake pedal.
4. To release the parking brake, push the parking brake pedal.

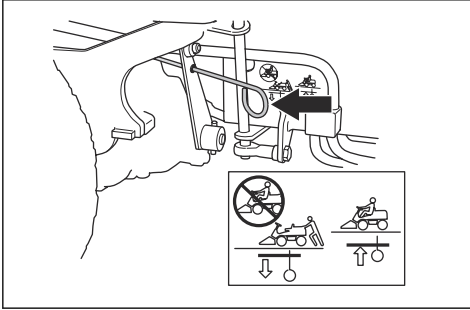
To engage and disengage the drive system

To move the product with the engine off, the drive system must be disengaged. Pull out the drive system lever fully to disengage the drive on the axle. Push the drive system lever in fully to engage the drive on the axle. Do not use middle positions.

The product has one drive system lever for the front axle and one for the rear axle. The drive system lever for the rear axle is found behind the left rear wheel.

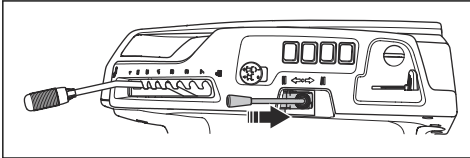


The drive system lever for the front axle is found behind the left front wheel.

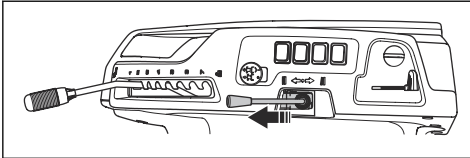


To lift and lower the cutting deck

- To lift the cutting deck to the transport position, pull the lift lever rearward.

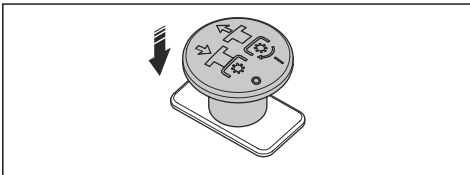


- To lower the cutting deck to the mow position, push the lift lever forward.

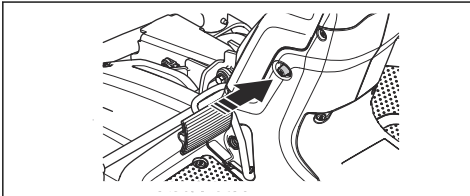


To start the engine

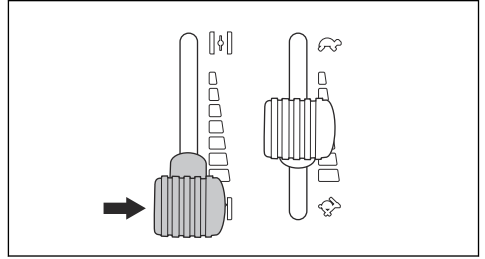
1. Push the PTO button to disengage the drive on the cutting deck.



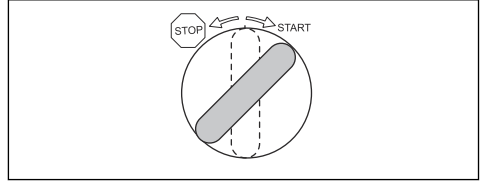
2. Apply the parking brake.



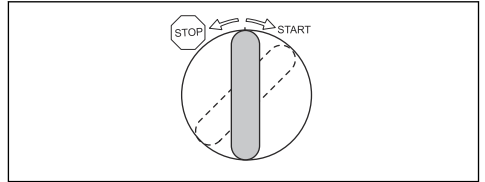
3. For R 420TsX AWD: If the engine is cold, move the choke control fully rearward.



4. Turn the ignition key to the start position.



5. When the engine starts, immediately release the ignition key to the neutral position.

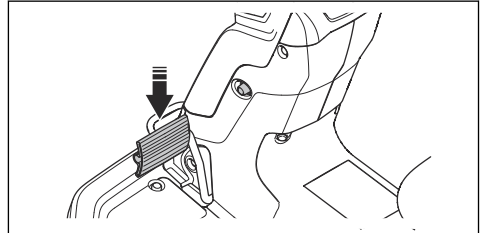


Note: Do not keep the ignition key in the start position for more than 5 seconds at a time. If the engine does not start, wait 15 seconds before you try again.

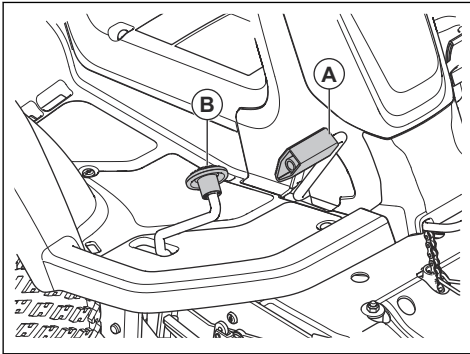
6. Let the engine run at half throttle for 3-5 minutes before you apply heavy load.
7. Push the throttle control to the full throttle position.

To operate the product

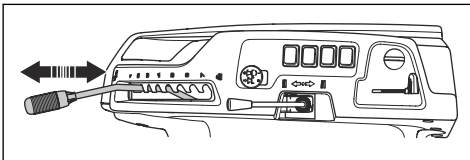
1. Start the engine. Refer to *To start the engine on page 17*.
2. Release the parking brake.



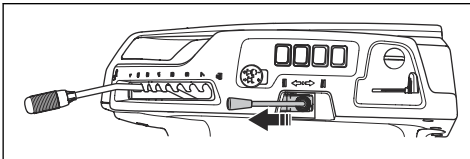
- Carefully push down one of the speed pedals. The speed increases the more the pedal is pushed down. Use pedal (A) to move forward, and pedal (B) to move rearward.



- Release the pedal to brake.
- Select cutting height (1–7) with the cutting height lever.



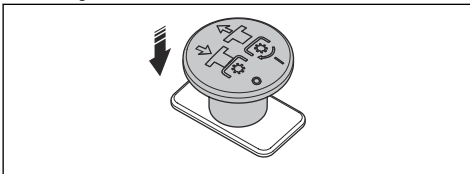
- Move the lift lever forward to lower the cutting deck to mow position.



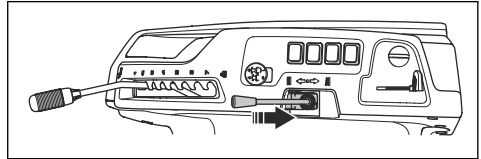
- Pull the PTO button to engage the drive on the blades.

To stop the engine

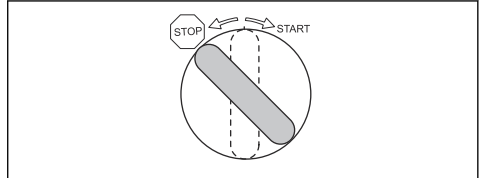
- Push the PTO button to disengage the drive on the cutting deck blades.



- Pull the lift lever for the cutting deck rearward to lift up the cutting deck.



- Apply the parking brake.
- Turn the ignition key to the stop position.



To get a good cutting result

- For best performance, do maintenance on the product regularly as given in the maintenance schedule. Refer to *Maintenance schedule for the operator on page 19*.
- Do not cut a wet lawn. Wet grass can give a bad cutting result.
- Start with a high cutting height and decrease it gradually.
- Cut with blades that rotate at high speed (highest permitted engine speed, see *Technical data on page 37*). Move the product forward at low speed. If the grass is not too high and thick, you can get a good cutting result also at a higher speed.
- Cut the grass in an irregular pattern.
- To get the best cutting result, cut the grass frequently and use the BioClip function.

Maintenance

Introduction



WARNING: Before you do any maintenance work you must read and understand the safety chapter.

X = The instructions are given in this operator's manual.

Note: If there is more than 1 time interval for a task, the shortest time interval is for the first maintenance. After the first maintenance, obey the longer time interval.

Maintenance schedule

* = The instructions are not given in this operator's manual.

Maintenance schedule for the operator

Maintenance	Daily maintenance before operation	Maintenance interval in hours		
		50	100	200
Make sure that nuts and screws are tightened	*			
Make sure that there are no fuel or oil leaks	*			
Clean the product	X			
Clean the inner surface of the cutting deck, around the blades	X			
Clean around the muffler	X			
Make sure that the cold air intake of the engine is not blocked	X			
Make sure that the safety devices are not defective	X			
Examine and do a test of the brakes	*			
Do a check of the engine oil level	X			
Do a check of the oil level in the transmission	X			
Do a check of the steering wires	X			
Examine the blades in the cutting deck	X			
Make sure the high beam light and the work light operates correctly	*			
Clean the cutting deck, below the belt covers and below the cutting deck		X		
Make sure that the tire pressure is correct		X		
Clean the air filter		X		
Do a check of the parallelism of the cutting deck		X		
Lubricate the belt adjuster		X		
Lubricate the seat		X		
Replace the air filter			X	
Replace the engine oil ¹		X		
Replace the oil filter			X	
Replace the fuel filter			X	

¹ For R 420TsX AWD, replace first time after 8 hours of operation

Maintenance	Daily maintenance before operation	Maintenance interval in hours		
		50	100	200
Replace the spark plug			X	

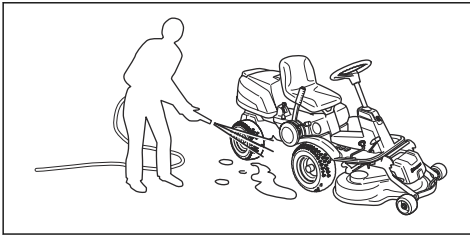
To clean the product



CAUTION: Do not use a high-pressure washer or a steam cleaner. Water can go into bearings and electrical connections and cause corrosion which causes damage to the product.

Clean the product immediately after use.

- Do not clean hot surfaces such as the engine, muffler and exhaust system. Wait until the surfaces are cool, then remove the grass or dirt.
- Before you clean with water, clean with a brush. Remove grass cuttings and dirt on and around the transmission, the transmission air intake, and the engine.
- Use running water from a hose to clean the product. Do not use high pressure.
- Do not point the water at electrical components or bearings. Detergent usually increases the damage.
- To clean the cutting deck, put it in the servicing position and clean it with a water hose.
- When the product is clean, start the cutting deck for a short period to blow off remaining water.



To clean the engine and the muffler

Keep the engine and muffler free from grass cuttings and dirt. Grass cuttings soaked in fuel or oil on the engine can increase the fire risk and the risk that the engine becomes too hot. Let the engine cool before it is cleaned. Clean with water and a brush.

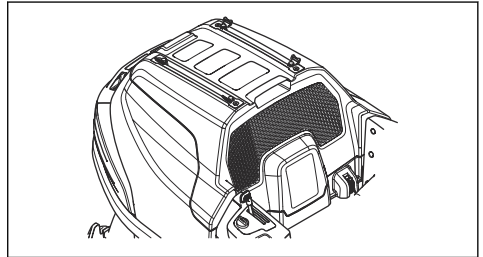
Grass cuttings around the muffler dry quickly and are a fire risk. Use a brush or remove the grass cuttings with water when the muffler is cold.

To clean the cold air intake of the engine

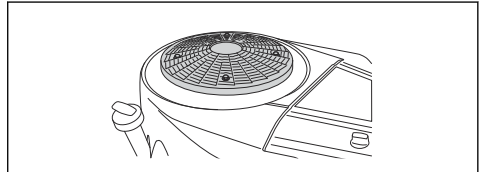


WARNING: Stop the engine. The cold air intake rotates and can cause injury to your fingers.

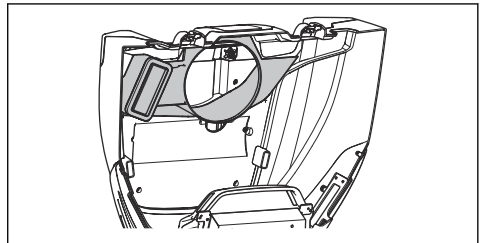
1. Make sure that the grille for the cold air intake on the engine cover is not blocked. Remove grass and dirt with a brush.



2. Open the engine cover.
3. Make sure that the engine cold air intake is not blocked. Remove grass and dirt with a brush.



4. Examine the air duct, found on the inner surface of the engine cover. Make sure that the air duct is clean and does not rub against the cold air intake.

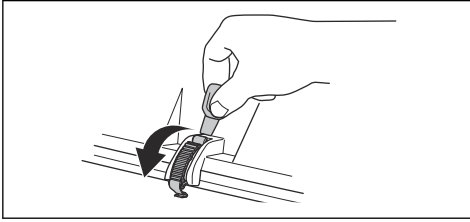


To remove the covers

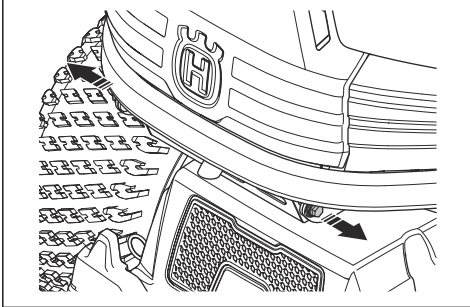
To remove and install the engine cover

1. Fold the seat forward.

2. Release the 2 clips on the engine cover with the tool attached to the ignition key.



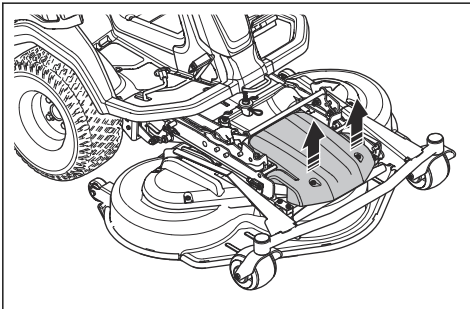
3. Remove the screws from the hinges.



4. Fold the engine cover rearward.
5. Install in opposite sequence.

To remove and install the front cover of the cutting deck

1. Remove the cutting deck. Refer to *To remove the cutting deck on page 14*.
2. Remove the 2 screws and remove the front cover of the cutting deck.

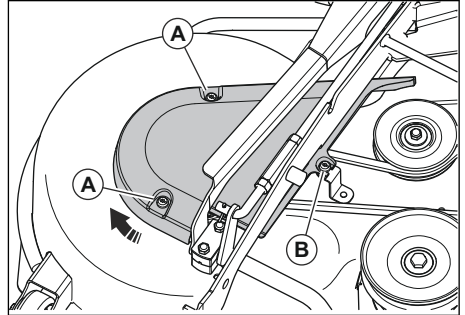


3. Install in opposite sequence.

To remove and install the side cover of the cutting deck

1. Remove the cutting deck. Refer to *To remove the cutting deck on page 14*.

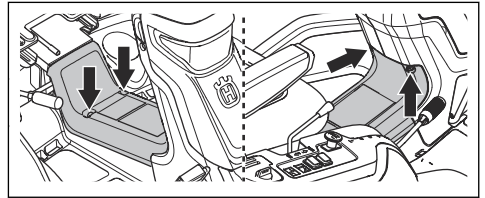
2. Remove the 2 screws (A) on the side cover of the cutting deck.



3. Loosen but do not remove the screw (B).
4. Turn and remove the side cover of the cutting deck.
5. Install in opposite sequence.

To remove and install the frame tunnel cover

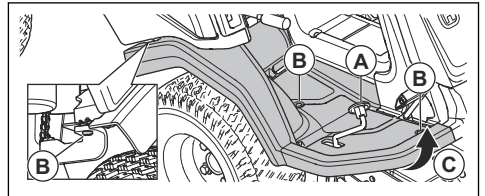
1. Move the seat rearward. Refer to *To fill fuel on page 15*.
2. Remove the 4 screws and remove the frame tunnel cover.



3. Install in opposite sequence.

To remove and install the right footrest plate

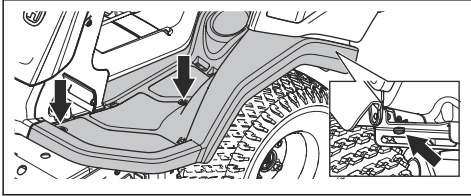
1. Remove the frame tunnel cover. Refer to *To remove and install the frame tunnel cover on page 21*.
2. Turn the knob on the rearward drive pedal (A) to remove it.
3. Remove the 3 screws (B).



4. Loosen the edges of the footrest plate (C).
5. Remove the footrest plate.
6. Install in opposite sequence.

To remove and install the left footrest plate

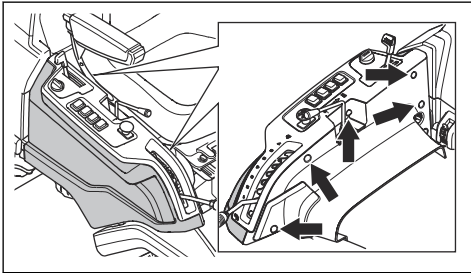
1. Remove the frame tunnel cover. Refer to *To remove and install the front cover of the cutting deck on page 21*.
2. Remove the 3 screws and remove the footrest plate.



3. Install in opposite sequence.

To remove and install the outer right side cover

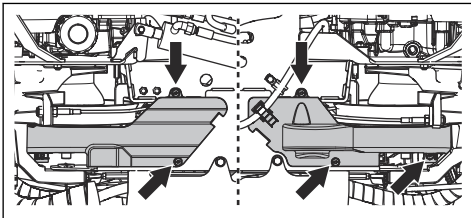
1. Open the engine cover. Refer to *To remove and install the engine cover on page 20*.
2. Remove the 6 screws and remove the right side cover.



3. Install in opposite sequence.

To remove the lower belt covers

1. Remove the screws that hold the lower belt cover. There are 2 screws on the right side of the product and the 3 screws on the left side.



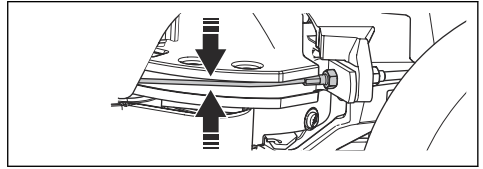
2. Remove the lower belt cover.
3. Assemble in opposite sequence.

To examine the steering wires

The tension of the steering wires can decrease after a period of time. This causes the adjustment of the steering to change.

Examine and adjust the steering as follows:

1. The steering wires are correctly tightened if you can manually move them 5 mm up or down in the groove on the steering collar.



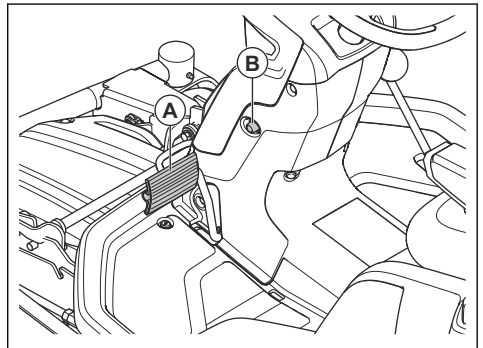
2. If the wires are too loose, let an authorized service agent adjust them.

To do a check of the parking brake

1. Park the product on a slope with a hard surface.

Note: Do not park the product on a grass slope when you do a check of the parking brake.

2. Push the parking brake pedal down (A).
3. Push and hold the lock button (B) and release the parking brake pedal while the button is pushed.

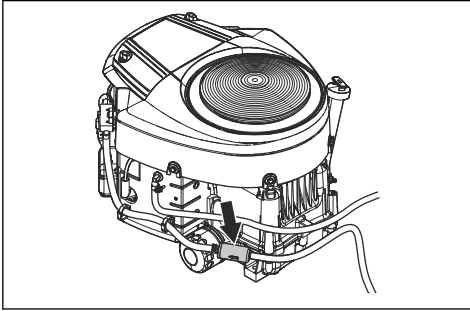


4. If the product starts to move, let an approved service agent adjust the parking brake.
5. Push the parking brake pedal again to release the parking brake.

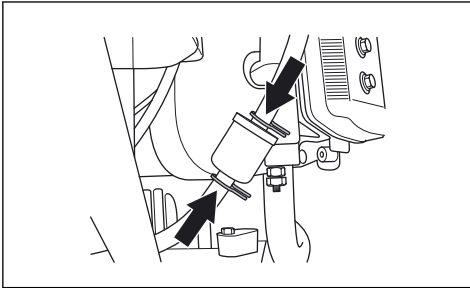
To replace the fuel filter

1. Open the engine cover.
2. Move the hose clips away from the fuel filter with a pair of flat pliers.

3. Pull off the fuel filter from the hose ends. A small quantity of fuel can leak.

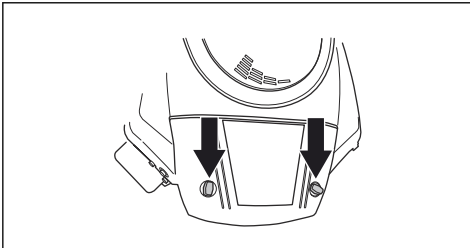


4. Push the new fuel filter into the ends of the hoses. Apply liquid detergent to the ends of the fuel filter to make the connection easier.
5. Push the hose clips against the fuel filter.

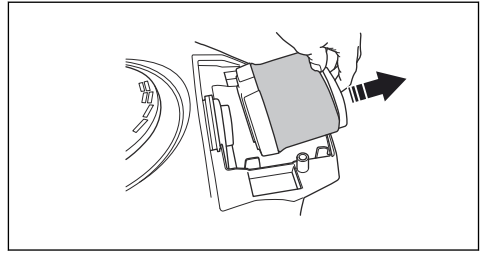


To clean and replace the air filter

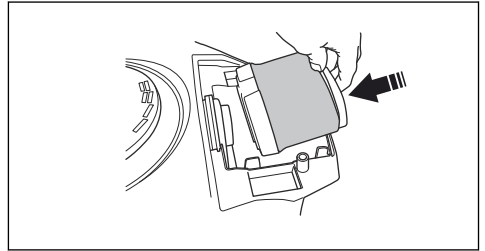
1. Open the engine cover.
2. Loosen the knobs that hold the air filter cover and remove the air filter cover.



3. Remove the air filter.



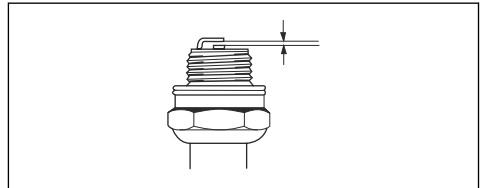
4. Use a brush to remove grass and dirt from the air filter, or replace the air filter with a new air filter. Refer to *Maintenance schedule for the operator* on page 19.



5. Install the air filter and the air filter cover. Tighten the knobs.
6. Close the engine cover.

To examine and replace the spark plug

1. Open the engine cover.
2. Remove the ignition cable shoe and clean around the spark plug.
3. Remove the spark plug with a spark plug wrench.
4. Examine the spark plug. Replace it if the electrodes are burned or if the insulation has cracks or damages. If the spark plug is not damaged, clean it with a steel brush.
5. Measure the electrode gap and make sure that it is correct. See *Technical data* on page 37.



6. Bend the side electrode to adjust the electrode gap.
7. Put the spark plug back in and turn it by hand until it touches the spark plug seat.
8. Tighten the spark plug with the spark plug wrench until the washer is compressed.
9. Tighten a used spark plug $\frac{1}{8}$ of a turn more, and a new spark plug $\frac{1}{4}$ turn more.



CAUTION: Spark plugs that are not tightened correctly can cause damage to the engine.

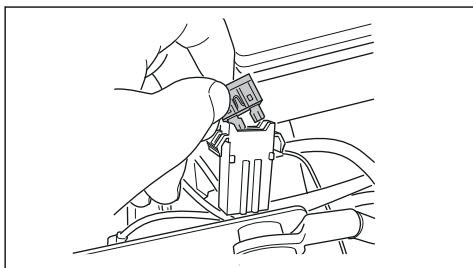


CAUTION: Do not try to start the engine if the spark plug or ignition cable is removed.

To replace the fuses

The fuses are put in 2 groups. The fuses for the mower control module and the engine are in a holder in front of the battery. The fuses for auxiliary electrical outputs are in a holder in front of the hydraulic oil cooler. A blown fuse is identified by a burned connector.

1. Open the engine cover.
2. Pull the fuse from the holder.



3. Replace the blown fuse.
4. Close the engine cover.

If the fuse blows again a short period after you replace it, there is a short circuit. Repair the short circuit before you operate the product again.

To charge the battery

- Charge the battery if it is too weak to start the engine.
- Use a standard battery charger.



CAUTION: Do not use a boost charger or start booster. That will cause damage to the electrical system of the product.

- Always disconnect the charger before starting the engine.

To do an emergency start of the engine

If the battery is too weak to start the engine, you can use jumper cables to do an emergency start. This product has a 12 V system with negative ground. The product that is used for the emergency start must also have a 12 V system with negative ground.

To connect the jumper cables

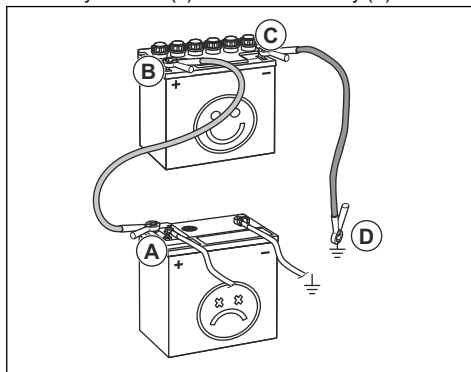


WARNING: Risk of explosion because of explosive gas that comes from the battery. Do not connect the negative terminal of the fully charged battery to or near the negative terminal of the weak battery.



CAUTION: Do not use the battery of your product to start other vehicles.

1. Remove the engine cover.
2. Connect one end of the red cable to the POSITIVE battery terminal (+) on the weak battery (A).



3. Connect the other end of the red cable to the POSITIVE battery terminal (+) on the fully charged battery (B).



WARNING: Do not short circuit the ends of the red cable against the chassis.

4. Connect one end of the black cable to the NEGATIVE battery terminal (-) on the fully charged battery (C).
5. Connect the other end of the black cable to a CHASSIS GROUND (D), away from the fuel tank and the battery.
6. Replace the covers.

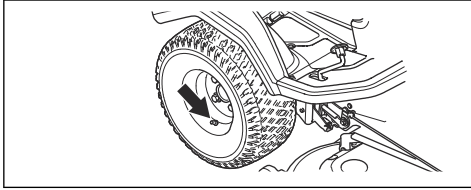
To remove the jumper cables

Note: Remove the jumper cables in the opposite sequence to how you connect them.

1. Remove the BLACK cable from the chassis.
2. Remove the BLACK cable from the fully charged battery.
3. Remove the RED cable from the 2 batteries.

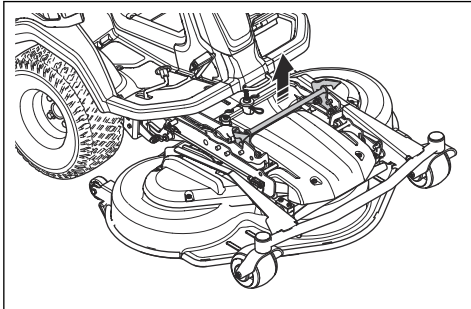
Tire pressure

Make sure to have the correct tire pressure on all 4 tires. Refer to *Technical data* on page 37.

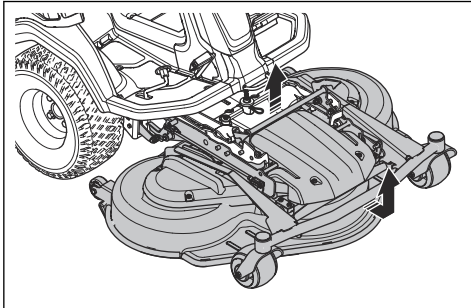


To put the cutting deck in the servicing position

1. Do the steps 1–7 in *To attach the cutting deck* on page 13.
2. Pull and hold the lock handle.

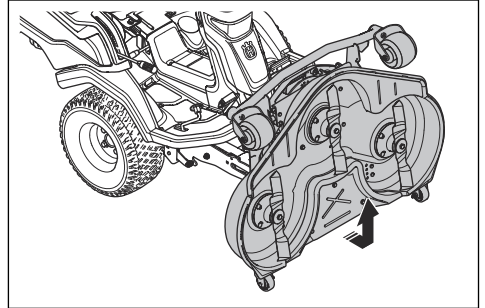


3. Hold the front edge of the cutting deck and pull forward while you hold the lock handle. Pull the cutting deck to the end position.



Note: If you can not pull the cutting deck to its end position, release the lock handle and pull it up again.

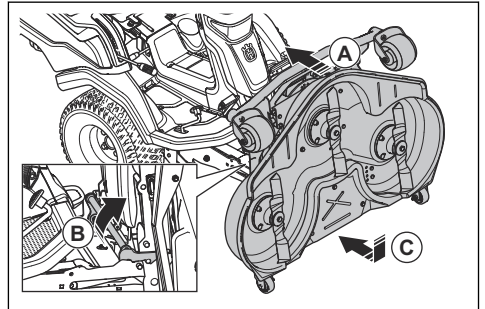
4. Lift the cutting deck to vertical position until a click sound is heard. The cutting deck is locked automatically in the vertical position.



5. Carefully pull the front edge of the cutting deck forward, to make sure that the cutting deck is locked.

To put the cutting deck in mow position

1. Hold the front edge of the cutting deck (A) with one hand. Push the cutting deck in the direction of the product.
2. Pull the lock handle (B) with your other hand to disengage the locked position of the cutting deck.

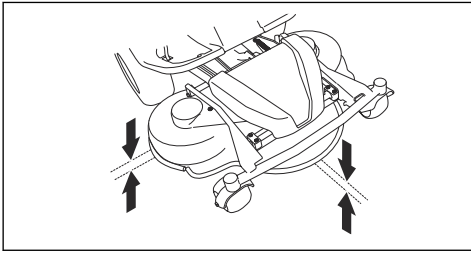


3. Fold down the cutting deck (C) until it is level to the ground.
4. Pull the lock handle and push the cutting deck in the direction of the product until it stops.
5. Push down the lock handle.

To do a check of the parallelism of the cutting deck

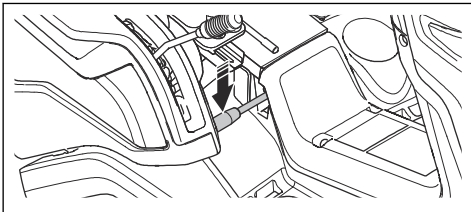
1. Make sure that the air pressure in the tires is correct. Refer to *Technical data* on page 37.
2. Park the product on a level surface.
3. Lower the cutting deck to mow position.
4. Set the cutting height lever to the servicing position.

5. Measure the distance between the ground and the front and rear edges of the cutting deck. Make sure that the rear edge is 4–6 mm (1/5") higher than the front edge.

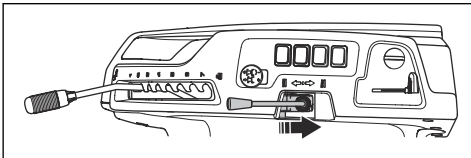


To adjust the parallelism of the cutting deck

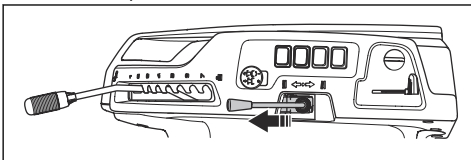
1. Park the product on hard level ground.
2. Apply the parking brake.
3. Move the weight transfer lever down.



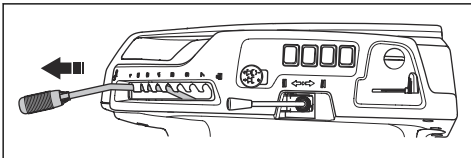
4. Move the lift lever rearward and lift the cutting deck to the transport position to engage the lift support.



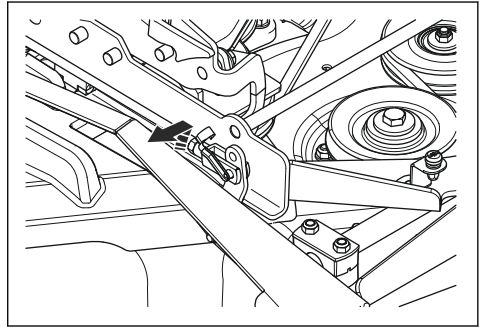
5. Move the lift lever forward and lower the cutting deck to the mow position.



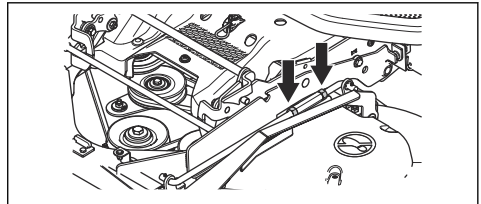
6. Set the cutting height lever to the servicing position.



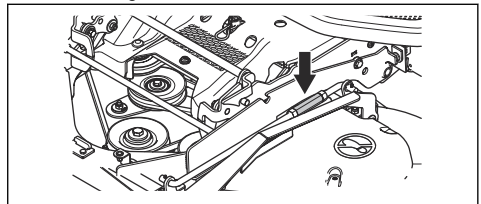
7. Remove the clevis joint on the front end of the height adjustment stay. Move the height adjustment stay to the side.



8. Loosen the locknuts on the lift stay.

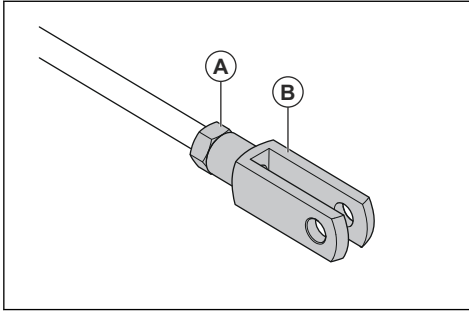


9. Turn the adjustment nut on the lift stay to adjust the length of the lift stay. Increase the length to lift the rear edge of the cover. Decrease the length to lower the rear edge of the cover.



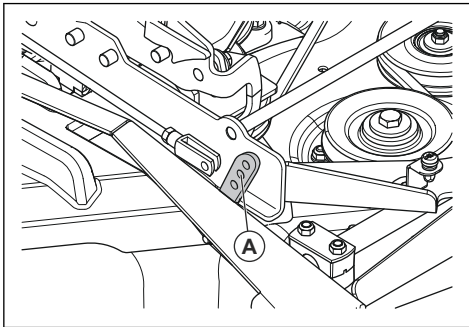
10. Tighten the locknuts on the lift stay.

11. Loosen the locknut (A) on the clevis joint on the height adjustment stay. Turn the clevis joint (B) on the height adjustment stay to adjust the length of the height adjustment stay. Make sure that the clevis joints align with the correct hole on the frame of the cutting deck.

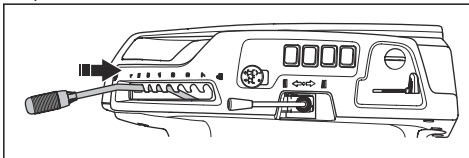


Note: The 2 ends of the height adjustment stay each have a clevis joint. You get the same result independently of which clevis joint you adjust.

12. Use the middle hole (A) on the frame in the cutting deck.

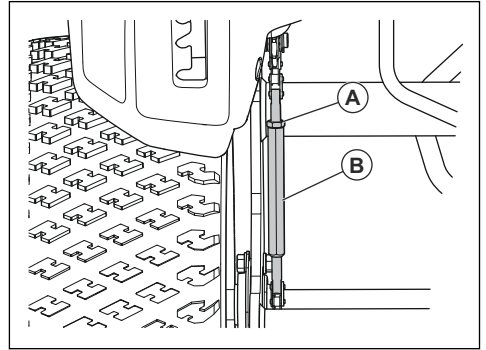


13. Tighten the locknuts on the height adjustment stay.
14. Move the cutting height lever to the cutting height position 1.

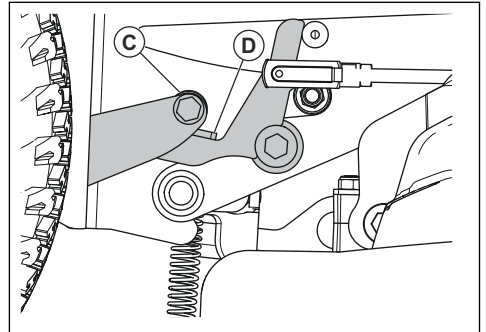


15. Remove the right footrest plate. Refer to *To remove and install the right footrest plate on page 21*.

16. Loosen the locknut (A) on the stretching screw of the cutting height chain.



17. Turn the adjustment screw (B) on the cutting height chain until the bearing wheel (C) touches the lever (D).



18. Tighten the locknut on the stretching screw.
19. Do a check of the parallelism. Refer to *To do a check of the parallelism of the cutting deck on page 25*.
20. Attach the right footrest plate.

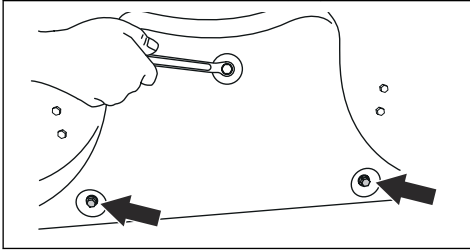
To remove the BioClip plug

- Remove the BioClip plug to change a Combi cutting deck from BioClip to rear discharge of the grass.

To remove and attach the BioClip plug on the cutting deck Combi 103, Combi 112, Combi 122

- Put the cutting deck in servicing position. Refer to *To put the cutting deck in the servicing position on page 25*.

- Remove the 3 screws that hold the BioClip plug and remove the plug.



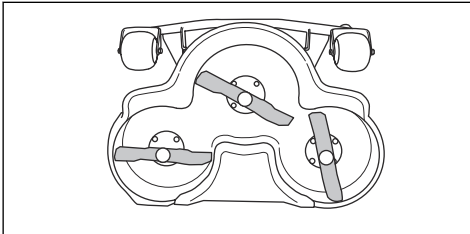
- Attach 3 M8x15 mm screws in the screw holes for the BioClip plug to prevent damage to the threads.
- Put the cutting deck in the mow position.
- Attach the BioClip plug in the opposite sequence.

To examine the blades



CAUTION: Damaged or incorrectly balanced blades can cause damage to the product. Replace damaged blades. Let an approved service agent help you sharpen and balance blunt blades.

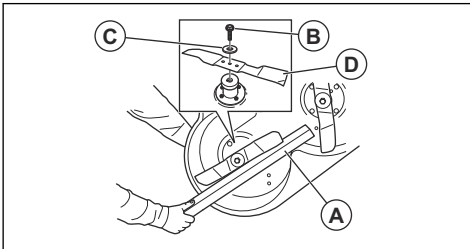
- Put the cutting deck in servicing position.
- Look at the blades to see if they are damaged and if it is necessary to sharpen them.



- Tighten the blade bolts with tightening torque 75-80 Nm.

To replace the blades

- Put the cutting deck in servicing position.
- Lock the blade with a wooden block (A).



- Loosen and remove the blade bolt (B), the washers (C) and the blade (D).

- Assemble the new blade with the ends that have an angle in the direction of the cutting deck.

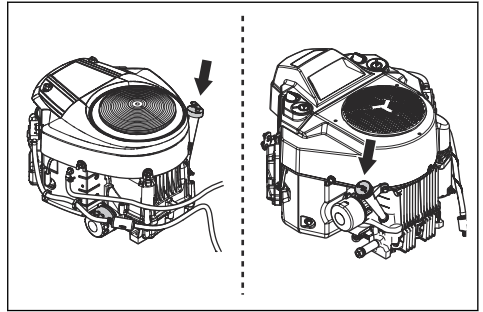


WARNING: Incorrect blade type can cause objects to eject from the cutting deck and cause serious injury. Use only the blades given in *Technical data on page 37*.

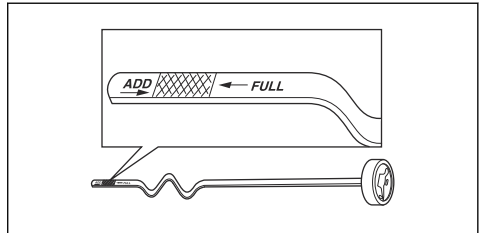
- Attach the blade, the washer and the bolt. Tighten the bolt with a torque of 75-80 Nm.

To do a check of the engine oil level

- Park the product on level ground and stop the engine.
- Open the engine cover.
- Loosen the dipstick and pull it out.



- Clean the oil from the dipstick.
- Put the dipstick in the hole for the dipstick and tighten it.
- Loosen and pull the dipstick out and read the oil level.
- The oil level must be between the marks on the dipstick. If the level is near the ADD mark, fill oil to the FULL mark.



- Fill the oil through the hole for the dipstick. Fill the oil slowly.

Note: Refer to *Technical data on page 37* for the types of engine oil that we recommend. Do not mix different types of oil.

- Tighten the dipstick fully before you start the engine. Start and idle the engine for approximately 30 seconds. Stop the engine. Wait 30 seconds and do a check of the oil level again.

To replace the engine oil and the oil filter R 419TsX AWD

If the engine is cold, start the engine for 1–2 minutes before you drain the engine oil. This makes the engine oil warm and easier to drain.

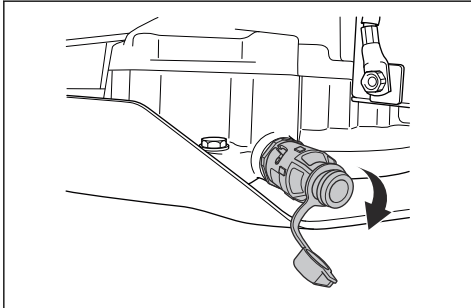


WARNING: Do not operate the engine for more than 1–2 minutes before you drain the engine oil. The engine oil becomes very hot and can cause burn injuries. Let the engine become cool before you drain the engine oil.

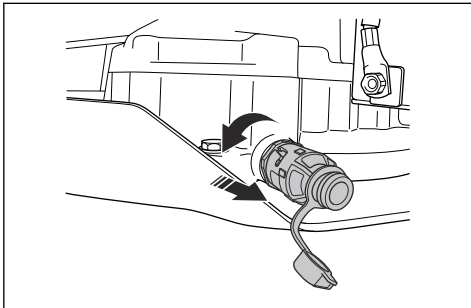


WARNING: If you spill engine oil on your body, clean with soap and water.

- Open the plastic cap on the end of the oil drain plug.

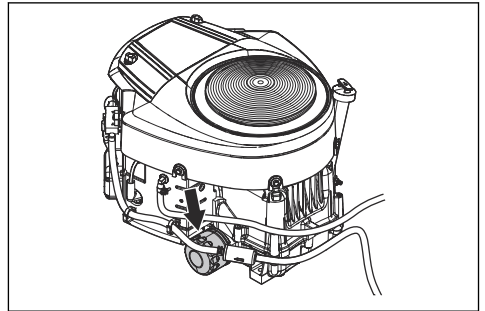


- To decrease the risk of oil spill, connect a hose to the oil drain plug.
- Put a container below the oil drain plug.
- Remove the dipstick.
- Turn the oil drain plug counterclockwise and pull out to open it.



- Let the oil run out into the container.

- Push the oil drain plug in and turn it clockwise to close it.
- Disconnect the plastic hose and put the cap on the oil drain plug.
- Turn the oil filter counterclockwise to remove it.



- Lightly lubricate the rubber seal on the new oil filter with new oil.
- To attach the oil filter, turn it clockwise until the rubber seal is in position, then tighten a half turn more.
- Fill with new oil as given in *Technical data on page 37*.
- Start the engine and let it run at idle speed for 3 minutes.
- Stop the engine and make sure that the oil filter does not leak.
- Do a check of the engine oil level. Refer to *To do a check of the engine oil level on page 28*.
- Fill with oil to the FULL mark on the oil dipstick.

Note: For safe disposal of used engine oil, refer to *Disposal on page 36*.

To replace the engine oil and the oil filter R 420TsX AWD

If the engine is cold, start the engine for 1–2 minutes before you drain the engine oil. This makes the engine oil warm and easier to drain.



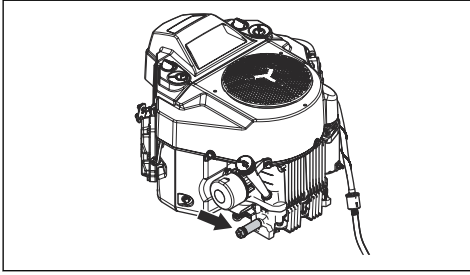
WARNING: Do not operate the engine for more than 1–2 minutes before you drain the engine oil. The engine oil becomes very hot and can cause burn injuries. Let the engine become cool before you drain the engine oil.



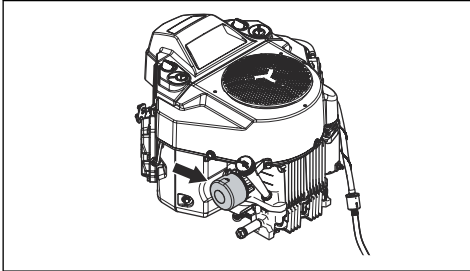
WARNING: If you spill engine oil on your body, clean with soap and water.

- Put a container below the oil drain plug.

- Remove the nut on the oil drain plug.



- Remove the dipstick.
- Let the oil run out into the container.
- Push the oil drain plug in and turn it clockwise to close it.
- Attach the nut on the oil drain plug.
- Turn the oil filter counterclockwise to remove it.



- Lightly lubricate the rubber seal on the new oil filter with new oil.
- To attach the oil filter, turn it clockwise until the rubber seal is in position, then tighten a half turn more.
- Fill with new oil as given in *Technical data on page 37*.
- Start the engine and let it run at idle speed for 3 minutes.
- Stop the engine and make sure that the oil filter does not leak.
- Do a check of the engine oil level. Refer to *To do a check of the engine oil level on page 28*.
- Fill with oil to the FULL mark on the oil dipstick.

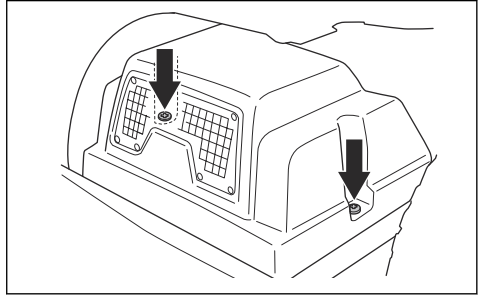
Note: For safe disposal of used engine oil, refer to *Disposal on page 36*.

To do a check of the transmission oil level

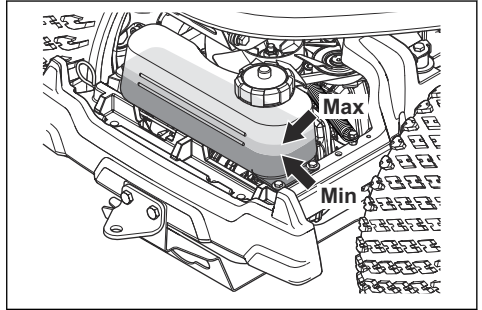


WARNING: Do the transmission oil check when the transmission is cool.

- Remove the 2 screws, and remove the transmission cover.



- Make sure that the oil level in the transmission oil tank is between the 2 horizontal lines on the tank.



- Fill with engine oil if the oil level is below the lower line, but do not fill above the top line. Refer to *Technical data on page 37* for recommended oil.

Lubrication, general information

- Remove the ignition key to prevent accidental movements during lubrication.
- Use engine oil when you lubricate with an oil can.
- When you lubricate with grease, use a chassis or ball bearing grease that prevents corrosion. Remove unwanted grease after lubrication.
- Lubricate 2 times a week if you operate the product daily.
- Do not spill lubricant on the drive belts or the grooves of the belt pulleys. If you do spill, clean with alcohol. If the friction between the drive belt and the pulley is not sufficient after you clean with alcohol, replace the drive belt.

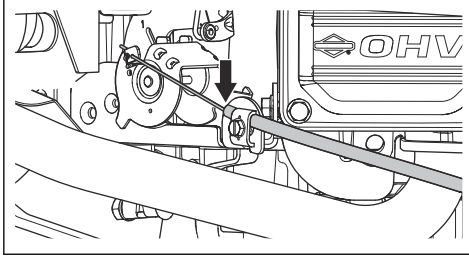


CAUTION: Do not use gasoline or other petroleum products to clean drive belts.

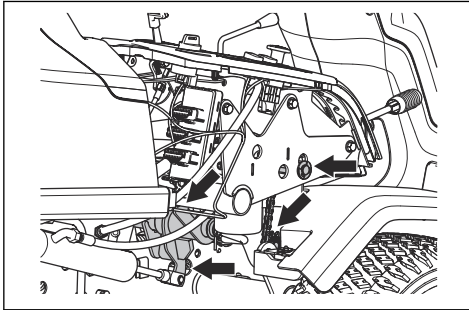
To lubricate the throttle cable, choke cable and lever bearings

- Remove the right side cover.
- Open the engine cover.

- Lubricate the free ends of the cables, also lubricate the ends near the engine, with engine oil.
- Move the throttle control, choke control and the controls for the cutting deck to their end positions and lubricate the cables again.



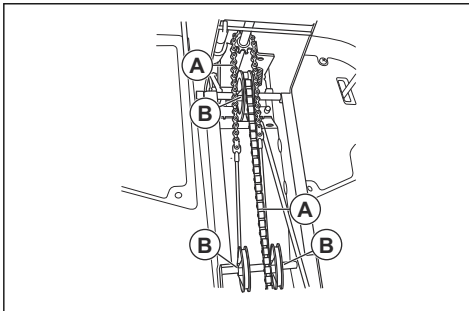
- Lubricate the joints, catches and bearings of the controls for the cutting deck with engine oil.



- Attach the right side cover.

To lubricate the chains in the frame tunnel

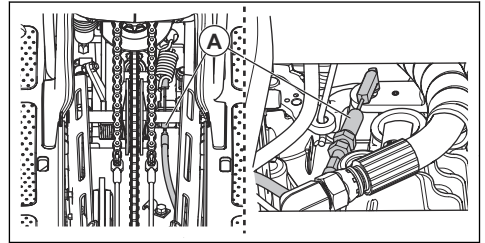
- Remove the 4 screws and remove the frame tunnel cover.
- Lubricate the chains (A) in the frame tunnel with engine oil or chain lubricant spray.



- Lubricate the pulley axles (B) for the steering wire with grease.

To lubricate the parking brake cable

- Remove the frame tunnel cover and the left side cover. Refer to *To remove and install the frame tunnel cover on page 21*.
- Push the rubber casings (A) in the direction of the ends of the parking brake cable.

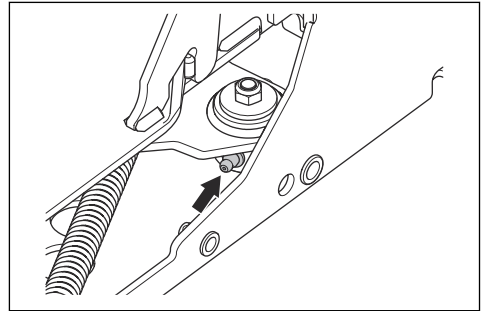


- Lubricate the ends of the parking brake cable with engine oil.
- Push the parking brake pedal 3 times and lubricate the parking brake cable again.
- Attach the rubber casings.
- Attach the left side cover and the frame plate.

To lubricate the belt adjuster

The belt adjuster must be lubricated regularly with a good quality molybdenum disulphide grease.

- Remove the lower belt cover. Refer to *To remove the lower belt covers on page 22*.
- Lubricate with a grease gun through the nipple at the right side, below the lower belt pulley. Lubricate until grease comes out of the rear side of the nipple.

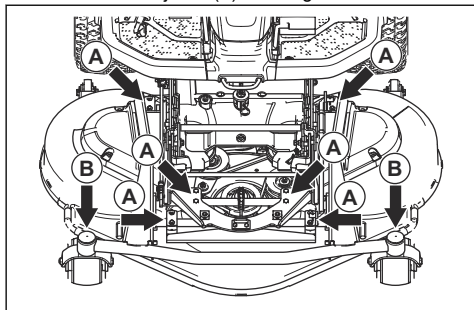


- Attach the belt cover and tighten the 5 screws.

To lubricate the cutting deck

- Remove the front cover.

2. Lubricate the 6 joints (A) with engine oil.



3. Lubricate with a grease gun through the nipple on the pivot wheel bearings for the cutting deck (B). Lubricate until grease comes out of the rear side of the nipple.

Troubleshooting




Troubleshooting schedule

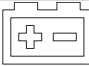





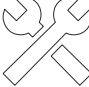



If you cannot find a solution to your problems in this operator's manual, speak to your Husqvarna service agent.

Problem	Cause
The starter motor does not turn the engine over	The parking brake is not applied. Refer to <i>To apply and release the parking brake on page 16.</i>
	The drive of the blades is engaged. Refer to <i>PTO (Power Take-Off) button on page 4.</i>
	A fuse is blown. Refer to <i>To replace the fuses on page 24.</i>
	The ignition key is defective.
	The connection between the cable and the battery is bad. Refer to <i>Battery safety on page 13.</i>
	The battery is too weak. Refer to <i>To charge the battery on page 24.</i>
The engine does not start when the starter motor turns the engine over	The starter motor is defective.
	There is no fuel in the fuel tank. Refer to <i>To fill fuel on page 15.</i>
	The spark plug is defective.
	The ignition cable is defective.
The engine does not run smoothly	There is dirt in the carburetor or fuel line.
	The spark plug is defective.
	The carburetor is incorrectly set.
	The air filter is clogged. Refer to <i>To clean and replace the air filter on page 23.</i>
The engine apparently has no power	There is dirt in the carburetor or fuel line.
	The air filter is clogged. Refer to <i>To clean and replace the air filter on page 23.</i>
	The spark plug is defective.
	The throttle cable is incorrectly adjusted.

Problem	Cause
The transmission does not have sufficient power	The cold air intake of the transmission or the cooling fins are blocked.
	The fan on the transmission is damaged.
	There is no oil in the transmission or the oil level is too low. Refer to <i>To do a check of the transmission oil level on page 30.</i>
The battery does not charge	The battery is defective. Refer to <i>To charge the battery on page 24.</i>
	The connection at the cable connectors on the battery terminals is bad. Refer to <i>To charge the battery on page 24.</i>
There is vibration in the product	The blades, the pulley or other rotating parts are loose. Refer to <i>Maintenance on page 19.</i>
	One or more of the blades are not balanced. Refer to <i>To examine the blades on page 28.</i>
	The engine is loose.
The cutting result is unsatisfactory	The blades are blunt. Refer to <i>To replace the blades on page 28.</i>
	The grass is long or wet. Refer to <i>To get a good cutting result on page 18.</i>
	The cutting deck is damaged and not parallel to the ground.
	There is grass blockage in the cutting deck. Refer to <i>To clean the product on page 20.</i>
	The tire pressure is different on the right and left sides. Refer to <i>Tire pressure on page 25.</i>
	The product is operated at a too high ground speed. Refer to <i>To get a good cutting result on page 18.</i>
	The engine speed is too low. Refer to <i>To get a good cutting result on page 18.</i>
	The drive belt loosens from the pulleys.

Display - Troubleshooting

Symbol	Name	Shows on the display	Sound	Cause
	Slope indicator	The symbol shows.	-	You operate the product in a slope >10°. Refer to <i>To cut grass on slopes on page 12.</i>
		The symbol flashes.	-	You operate the product in a slope >15°. Refer to <i>To cut grass on slopes on page 12.</i>
	Indicator of the transmission oil temperature	The symbol shows.	1 long sound.	The transmission oil temperature is too high.
		The symbol flashes quickly.	-	Speak to your Husqvarna servicing dealer.
	Oil Pressure Sensor	The symbol shows.	1 long sound.	Low oil pressure. Refer to <i>To do a check of the engine oil level on page 28.</i>

Symbol	Name	Shows on the display	Sound	Cause
	Battery level indicator	The symbol shows.	1 long sound.	Low voltage. Refer to <i>To charge the battery on page 24.</i>
	Cutting deck indicator	The symbol flashes.	5 short sounds.	The cutting deck is not attached and the PTO button is engaged. Refer to <i>To attach the cutting deck on page 13.</i>
	PTO button indicator	The symbol shows.	-	PTO button engaged. Refer to <i>Operation conditions on page 11.</i>
		The symbol flashes.		Incorrect start procedure. Refer to <i>Operation conditions on page 11.</i>
		The symbol flashes quickly.		Defective PTO button. Speak to your Husqvarna servicing dealer.
	Parking brake indicator	The symbol shows.	-	The parking brake engaged. Refer to <i>To apply and release the parking brake on page 16.</i>
		The symbol flashes.		Incorrect start procedure. Refer to <i>Operation conditions on page 11.</i>
		The symbol flashes quickly.		Defective parking brake. Speak to your Husqvarna servicing dealer.
	OPC indicator	The symbol flashes.	5 short sounds.	Seat microswitch disengaged when you try to start the engine. Refer to <i>Operation conditions on page 11.</i>
		The symbol flashes quickly.	-	Defective seat microswitch. Speak to your Husqvarna servicing dealer.
	Weight transfer	The symbol shows.	-	Weight transfer lever is disengaged.
	Service indicator	The symbol shows.	5 short sounds.	Servicing is necessary. Speak to your Husqvarna servicing dealer.
	Fuel gauge	The symbol shows.	1 short sound.	Low fuel. Refer to <i>To fill fuel on page 15.</i>
	Bluetooth® function	The symbol flashes.	-	The product is locked. Unlock your product with the Husqvarna Connect app.
	Digital lock	The symbol shows.	-	The product is locked. Unlock your product with the Husqvarna Connect app.

Note: The symbols and the positions of the symbols on the display can be different between different models.

Transportation, storage and disposal

Transportation

- The product is heavy and can cause crush injuries. Be careful when you load it onto or off a vehicle or trailer.
- Use an approved trailer for transportation of the product.
- Make sure that you have knowledge of local road traffic regulations before transportation of the product in a trailer or on roads.

To safely attach the product on a trailer for transport

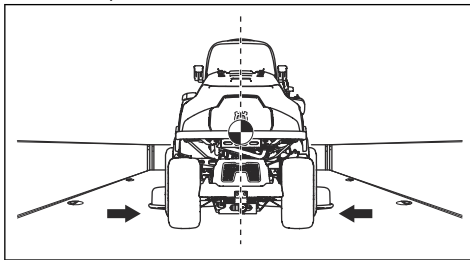
Before you attach the product, you must read and understand the safety chapter. Refer to *Safety on page 9*.



WARNING: The parking brake is not sufficient to lock the product during transport. Attach the product tightly to the load area.

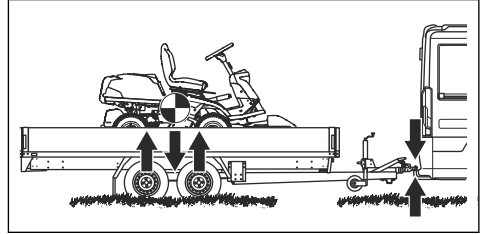
Equipment: 2 approved straps and 4 wheel blocks in the shape of a wedge.

1. Park the product in the center of the load area.

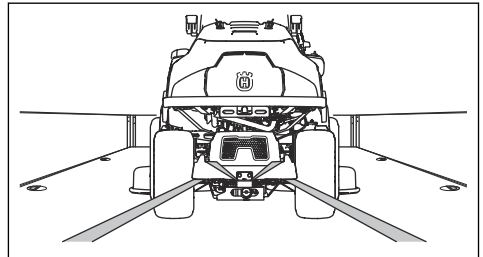


WARNING: For transport vehicles with a cover, let the product become cool before you put the product below the cover.

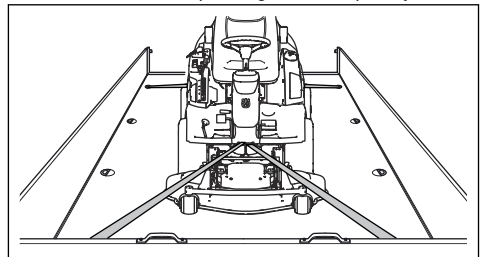
2. Make sure that the center of gravity of the product is above the wheel axle of the transport vehicle. If a trailer is used for transport, make sure that the down force on the tow bar is correct.



3. Apply the parking brake.
4. Lock the product with the Husqvarna Connect app.
5. Lower the cutting deck to the mow position.
6. Remove all loose objects.
7. Assemble the first strap through the rear transmission frame.

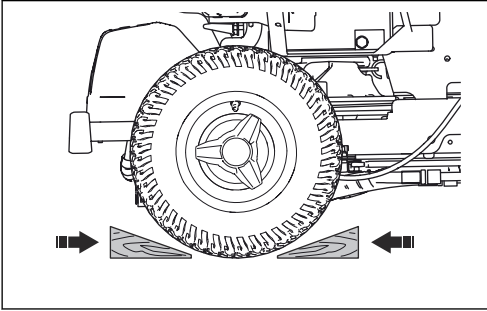


8. Tighten the strap rearward.
9. Put the second strap through the transport eyelet.



10. Attach the strap to the load area.
11. Tighten the strap in the direction of the front of the load area.

12. Put the wheel blocks in front of and behind the rear wheels.



- Change the engine oil, and discard the waste oil.
- Empty the fuel tank. Start the engine and run it until there is no remaining fuel in the carburetor.

Note: Do not empty the fuel tank and carburetor if a stabilizer has been added.

- Remove the plugs and put about a tablespoon of engine oil into each cylinder. Manually turn the engine shaft to apply the oil and put the plugs back on.
- Lubricate all grease nipples, joints and axles.
- Keep the product in a clean and dry area and cover it for more protection.
- A cover for protection of your product during storage or transport is available at your dealer.

To tow the product

The product has a hydrostatic transmission. To prevent damage to the transmission, tow the product short distances only and at low speed.

Disengage the transmission before you tow the product. Refer to *To engage and disengage the drive system on page 16*.

Storage

Prepare the product for storage at the end of the season, and before more than 30 days of storage. If you keep fuel in the fuel tank for 30 days or more, tacky particles can cause blockage in the carburetor. This has a negative effect on the engine function.

To prevent tacky particles during storage, add a stabilizer. If alkylate gasoline is used, stabilizer is not necessary. If you use standard gasoline, do not change to alkylate gasoline. This can cause sensitive rubber parts to become hard. Add stabilizer to the fuel in the tank or in the container used for storage. Always use the mixing ratios given by the manufacturer. Run the engine for a minimum of 10 minutes after you add the stabilizer until it flows into the carburetor.



WARNING: Do not keep the product with fuel in the tank in an indoor location or in locations with bad airflow. Risk of fire if fuel fumes come near open flames, sparks, or pilot lights in for example boilers, hot water tanks and clothes dryers.



WARNING: Remove grass, leaves and other flammable materials from the product to decrease the risk of fire. Let the product become cool before you put it in storage.

- Clean the product, see *To clean the product on page 20*. Repair paint damages to prevent corrosion.
- Examine the product for worn or damaged parts and tighten loose screws and nuts.
- Remove the battery. Clean it, charge it, and keep it cool during storage.

Disposal

- Chemicals can be dangerous and must not be discarded on the ground. Always discard used chemicals at a service center or an applicable disposal location.
- When the product is worn out, send it to the dealer or to an applicable recycling location.
- Oil, oil filters, fuel and the battery can have negative effects on the environment. Obey the local recycling requirements and applicable regulations.
- Do not discard the battery as domestic waste.
- Send the battery to a Husqvarna service agent or discard it at a disposal location for used batteries.

Technical data

Technical data

	R 419TsX AWD	R 420TsX AWD
Dimensions		
Length without cutting deck, mm	2116	2116
Width without cutting deck, mm	964	964
Height, mm	1178	1178
Weight without cutting deck, with empty tanks, kg	304	316
Wheel base, mm	958	958
Track width, front, mm	760	760
Track width, rear, mm	723	723
Tire dimensions	200/65 - 8	200/65 - 8
Tire pressure, rear – front, kPa / bar / PSI	80 / 0,8 / 12.0	80 / 0,8 / 12.0
Max. gradient, degrees °	10	10
Max. tow equipment weight, kg	150	150
Engine		
Brand / Model	Briggs & Stratton / M40 Endurance 7200	Kawasaki FS651V
Nominal engine output, kW ²	11.8	14.0
Displacement, cm ³	656	726
Max. engine speed, rpm	2900 ± 100	3000 ± 100
Fuel, min. octane grade lead-free, max 10% Ethanol	91	91
Tank volume, liters	17	17
Oil	Class SF, SG, SH or SJ SAE40, SAE30, SAE10W-30, SAE10W-40 or SAE5W-20	Class SF, SG, SH or SJ SAE40, SAE30, SAE10W-30, SAE10W-40 or SAE5W-20
Oil volume incl. filter, liters	1.9	2.1
Oil volume excl. filter, liters	1.8	1.8
Start motor	Electric start 12V	Electric start 12V
Transmission		
Brand	Tuff Torq	Tuff Torq
Model	K664M / KTM10T	K664M / KTM10T
Oil, class SF-CC	SAE 10W/50 Synthetic	SAE 10W/50 Synthetic

² The power rating of the engine indicated is the average net output (at specified rpm) of a typical production engine for the engine model measured to SAE standard J1349/ISO1585. Mass production engines may differ from this value. Actual power output for the engine installed on the final product will depend on the operating speed, environmental conditions and other values.

	R 419TsX AWD	R 420TsX AWD
Electrical system		
Type	12V, negative grounded	12V, negative grounded
Battery	12V, 24Ah	12V, 24Ah
Spark plug	Champion XC92YC	NGK BPR4ES
Electrode gap, mm/inch	0.75/0.030	0.75/0.030
Cutting deck		
Type	Combi 103	Combi 103
	Combi 112	Combi 112
		Combi 122

Noise emissions ³	R 419TsX AWD	R 420TsX AWD
Sound power level, measured dB(A)		
Combi 103	99	99
Combi 112	98	97
Combi 122	-	101
Sound power level, guaranteed dB(A)		
Combi 103	100	100
Combi 112	99	98
Combi 122	-	102

Sound levels ⁴	R 419TsX AWD	R 420TsX AWD
Sound pressure level at the operators ear, dB(A)		
Combi 103	84	84
Combi 112	83	82
Combi 122	-	87

³ Noise emissions in the environment measured as sound power (L_{WA}) in conformity with EC directive 2000/14/EC.

⁴ Noise pressure level according to EN ISO 5395. Reported data for noise pressure level has a typical statistical dispersion (standard deviation) of 1.2 dB(A).

	R 419TsX AWD	R 420TsX AWD
Vibration levels⁵		
Vibration level on the steering wheel, m/s ²	2.35	2.67
Vibration level in the seat, m/s ²	0.17	0.15

Cutting deck	Combi 103	Combi 112	Combi 122
Cutting width, mm	1030	1120	1220
Cutting height, mm	25–75	25–75	25–75
Weight, kg	63	66	73
Blade length, mm	388	420	454
Blade			
Article number	504 19 04-10	544 10 27-10	535 42 94-10



WARNING: To use a cutting deck that is not approved for the product can cause objects to eject at high speed and cause serious

injury. Do not use other cutting deck types than specified in this manual.

Radio frequency data

	R 419TsX AWD	R 420TsX AWD
Frequency range, MHz	2402-2480	2402-2480
Output power ⁶ , dBm	-2.4	-2.4

Service

Service

Do a yearly check at an authorized service center to make sure that the product functions safely and at its best during high season. The best time to do a servicing or overhaul of the product is low season.

When you send an order for the spare parts, give information about the purchase year, model, type, and serial number.

Always use original spare parts.

Warranty

Transmission warranty

The transmission warranty is only applicable if checks are done of the front and rear wheel speed as specified

in the maintenance schedule. To prevent damage to the transmission system, let an approved service agent adjust it.

⁵ Vibration level according to EN ISO 5395. Reported data for vibration level has a typical statistical dispersion (standard deviation) of 0.2 m/s² (steering wheel) and 0.8 m/s² (seat).

⁶ Measured at 2440 MHz.

EC Declaration of Conformity

EC Declaration of Conformity

Husqvarna AB, SE-561 82 Huskvarna, Sweden, tel: +46-36-146500, declares that the **ride-on lawn mower Husqvarna R 419TsX AWD and R 420TsX AWD** from 2019's serial numbers and onwards (the year is clearly stated in plain text on the rating plate with subsequent serial number), comply with the requirements of the COUNCIL'S DIRECTIVE:

- of May 17, 2006 "relating to machinery" **2006/42/EC**.
- of May 8, 2000 "relating to the noise emissions in the environment" **2000/14/EC**.
- of June 8, 2011 "restriction of use of certain hazardous substances" **2011/65/EU**.
- of 16 April, 2014 "relating to radio equipment" **2014/53/EU**.

Information regarding noise emissions and the mowing width, see Technical data.

The following harmonised standards have been applied:

EN ISO 12100, EN ISO 5395-1, EN ISO 5395-3, EN ISO 14982, EN 300 328, EN 50581

If not otherwise stated, the above listed standards are the latest published versions.

Notified body: **0404, RISE SMP Svensk Maskinprovning AB, Box 7035, SE-750 07 Uppsala** has issued reports

regarding the assessment of conformity according to annex VI of the COUNCIL'S DIRECTIVE of May 8, 2000 "relating to the noise emissions in the environment" 2000/14/EC.

The certificates have the numbers: 01/901/317, 01/901/318, 01/901/319

Huskvarna, 2019-03-01



Claes Losdal, Development Manager/Garden Products
(Authorized representative for Husqvarna AB and responsible for technical documentation)

Registered trademarks

The *Bluetooth*[®] word mark and logos are registered trademarks owned by *Bluetooth SIG, inc.* and any use of such marks by Husqvarna is under license.

Contenido

Introducción.....	41	Transporte, almacenamiento y eliminación.....	76
Seguridad.....	48	Datos técnicos.....	79
Montaje.....	53	Servicio técnico.....	81
Funcionamiento.....	55	Garantía.....	82
Mantenimiento.....	58	Declaración CE de conformidad.....	83
Resolución de problemas.....	73	Marcas comerciales registradas.....	83

Introducción

Inspección previa a la entrega y números de producto

copia firmada del documento de inspección previa a la entrega de su distribuidor.

Nota: Se ha realizado una inspección previa a la entrega de este producto. Asegúrese de que recibe una

Información de contacto del taller de servicio:	
Este manual de usuario pertenece a un producto con número de producto/número de serie:	
/	
Motor:	
Transmisión:	

Descripción del producto

R 419TsX AWD y R 420TsX AWD son tractores cortacésped. Los pedales de marcha adelante y marcha atrás permiten al operador ajustar la velocidad perfectamente. R 419TsX AWD y R 420TsX AWD tienen tracción a las cuatro ruedas (AWD) y un contador horario que indica las horas que el operador ha usado el producto. Los productos incluyen faros, una zona de almacenamiento y una barra de remolque. Los productos se utilizan con equipos de corte Combi con BioClip.

residenciales y jardines. Conecte accesorios opcionales para utilizar el producto para otras tareas. Póngase en contacto con su distribuidor de Husqvarna para obtener más información sobre los accesorios disponibles.

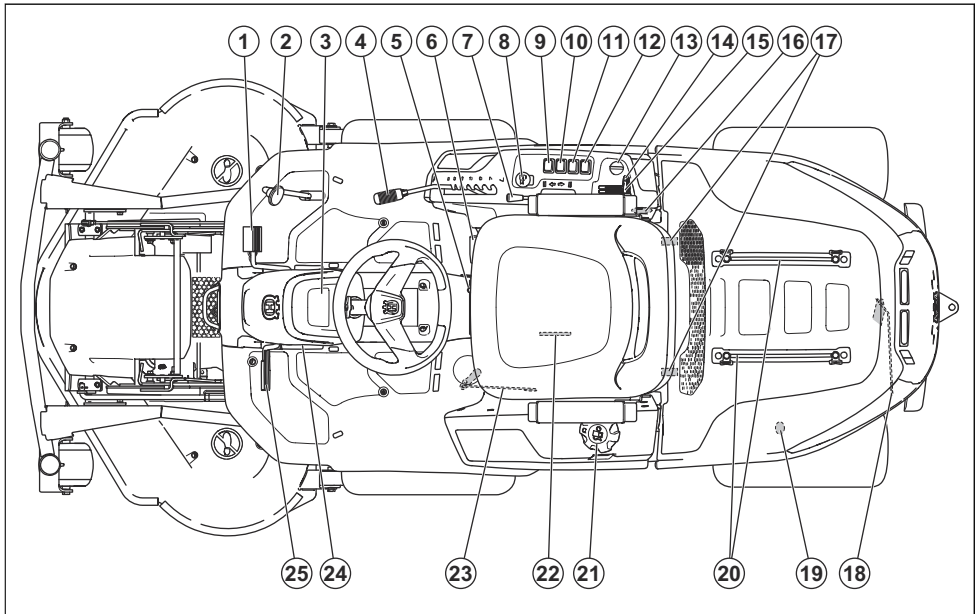
Asegure su producto

Asegúrese de que tiene su seguro cubre el nuevo producto. Si tiene cualquier duda, hable con su compañía de seguros. Se recomienda un seguro a todo riesgo que incluya terceros, incendio, daños, robo y responsabilidad.

Uso previsto

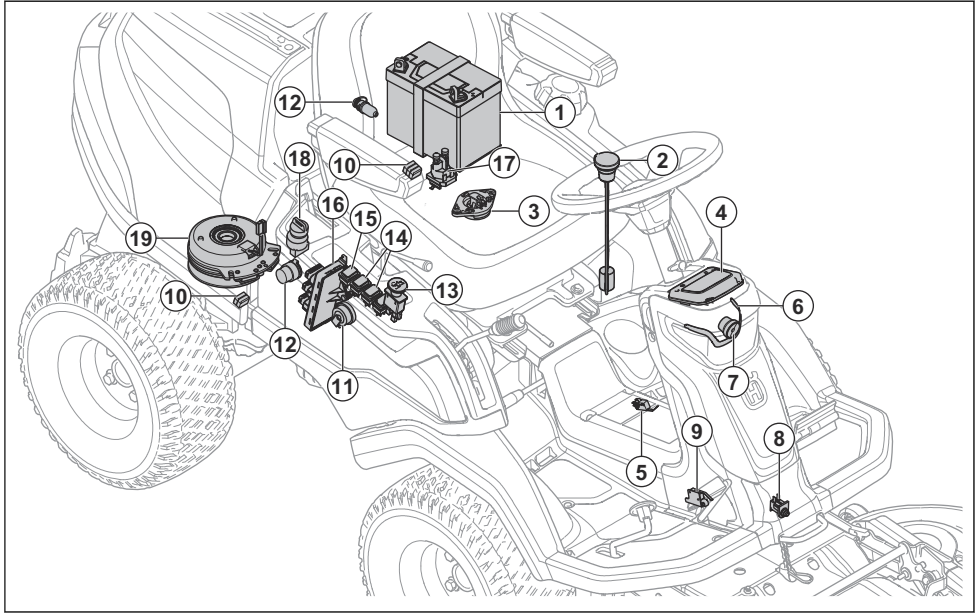
Los productos están diseñados para cortar hierba en espacios abiertos con suelo nivelado como zonas

Descripción del producto



1. Pedal de avance
2. Pedal de marcha atrás
3. Display
4. Palanca de la altura de corte
5. Palanca de ajuste del asiento
6. Palanca de transferencia de peso
7. Palanca de elevación para el equipo de corte
8. Botón de la TDF
9. Interruptor funcional de la toma de corriente trasera
10. Interruptor de la toma de corriente trasera
11. Interruptor de la toma de corriente del lado derecho del panel de control
12. Interruptor de los faros
13. Llave de encendido
14. Palanca de acelerador
15. Palanca del estrangulador, R 420TsX AWD
16. Toma de corriente de 12 V
17. Clips de la cubierta del motor
18. Palanca para engranar o desengranar la transmisión del eje trasero
19. Toma de corriente trasera de 12 V
20. Raíles para la zona de almacenamiento
21. Tapón del depósito de combustible
22. Placa de identificación con códigos escaneables
23. Palanca para engranar o desengranar la transmisión del eje delantero
24. Botón de bloqueo del freno de estacionamiento
25. Freno de estacionamiento y pedal de freno de servicio

Descripción general del sistema eléctrico



1. Batería
2. Sensor de combustible
3. Control de presencia del usuario (OPC)
4. Display
5. Sensor de transferencia de peso
6. Luz de trabajo
7. Luz de carretera
8. Sensor de equipo de corte
9. Microinterruptor, freno de estacionamiento
10. Fusibles
11. Zumbador
12. Toma de corriente
13. Botón de la TDF
14. Interruptor de las tomas de corriente
15. Interruptor de los faros
16. Módulo de control del cortacésped
17. Solenoide de arranque
18. Llave de encendido
19. Embrague de la TDF

Módulo de control del cortacésped

El producto tiene un módulo de control del cortacésped que le proporciona información al operario acerca del producto. La información se muestra en la pantalla del panel de instrumentos. Consulte la sección *Display en la página 46*.

El módulo de control del cortacésped permite que el taller de servicio se conecte al producto cuando se lleva a cabo el mantenimiento.

Husqvarna Connect

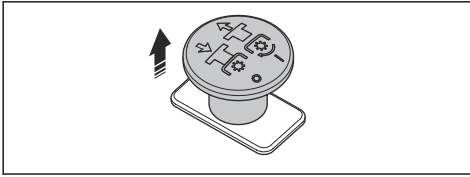
El producto tiene *Bluetooth®* tecnología inalámbrica y puede conectarse a dispositivos móviles que tengan la aplicación Husqvarna Connect instalada. La aplicación Husqvarna Connect es gratuita para su dispositivo móvil. La aplicación Husqvarna Connect proporciona más funciones para su producto Husqvarna:

- Función de bloqueo y desbloqueo para evitar una puesta en marcha no autorizada del producto.
- Información ampliada sobre el producto.
- Información y asistencia sobre piezas y mantenimiento de productos.

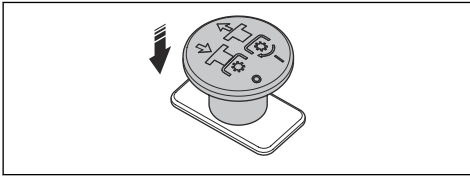
Botón de la TDF (toma de fuerza)

El botón de la TDF acopla y desacopla la transmisión de las cuchillas del equipo de corte. Se deben cumplir las condiciones de arranque correctas para poder acoplar la transmisión de las cuchillas. Consulte la sección *Condiciones de funcionamiento en la página 50*.

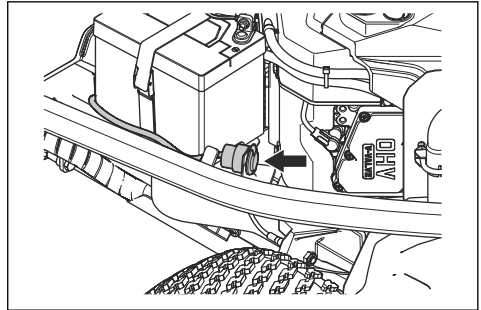
- Tire del botón de la TDF hacia fuera para acoplar la transmisión de las cuchillas.



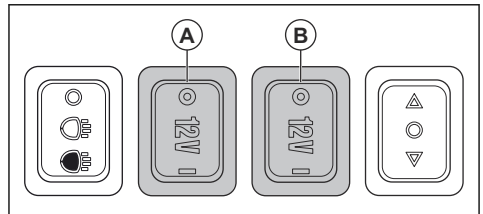
- Presione el botón de la TDF para desacoplar la transmisión de las cuchillas.



La toma de corriente del alojamiento del motor tiene una tensión de 12 V.



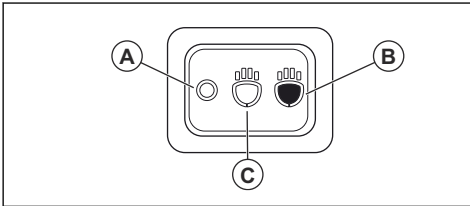
- Presione el interruptor (A) para activar o desactivar la toma de corriente del alojamiento del motor.
- Presione el interruptor (B) para activar o desactivar la toma de corriente del lado derecho del panel de control.



Faros

Los faros tienen luces de trabajo y luces de carretera.

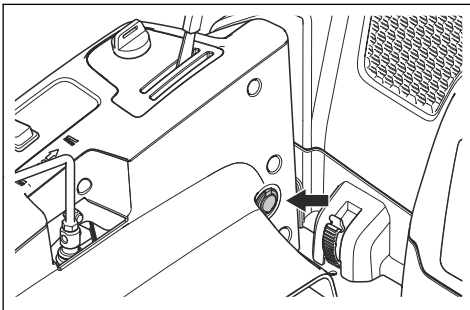
Presione el interruptor para encender (B) o apagar (A) las luces de trabajo. Presione el interruptor para encender (C) o apagar (A) las luces de carretera y de trabajo.



Las luces de trabajo se mantienen encendidas durante 3 minutos tras la parada del producto. Cuando los faros se encienden, la pantalla muestra el símbolo de los faros. Consulte la sección *Display en la página 46*.

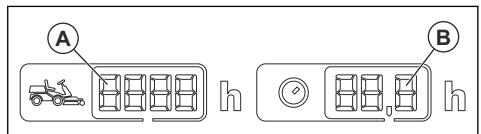
Toma de corriente

El producto cuenta con 2 tomas de corriente. La toma de corriente del lado derecho del panel de control, junto al asiento, tiene una tensión de 12 V.



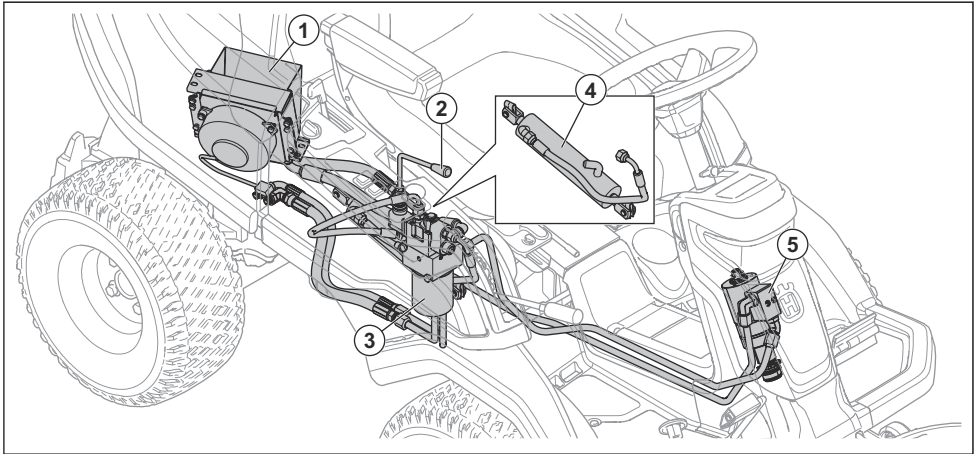
Contador de horas

El producto tiene 2 contadores de horas en la pantalla. Los contadores de horas muestran las horas de funcionamiento del motor totales (A) y durante el periodo de funcionamiento (B). Se inicia un nuevo periodo de funcionamiento si el motor se mantiene apagado durante un mínimo de 6 h.



El tiempo con el contacto puesto pero el motor apagado no se registra. El último dígito muestra las décimas de hora (6 minutos).

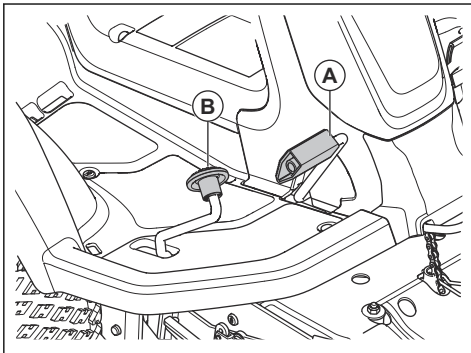
Descripción del sistema hidráulico



1. Enfriador de aceite hidráulico
2. Palanca de elevación
3. Filtro de aceite
4. Cilindro
5. Unidad de dirección central

Pedales de marcha adelante y marcha atrás

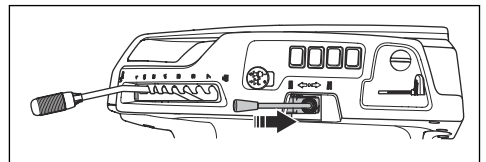
La velocidad se ajusta gradualmente con dos pedales. El pedal izquierdo (A) se utiliza para desplazarse hacia delante y el pedal derecho (B) para desplazarse marcha atrás. La máquina frena al soltar los pedales.



Palanca de la elevación hidráulica del equipo de corte

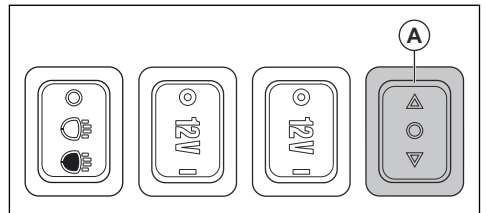
La palanca de elevación controla la elevación hidráulica. Utilice la elevación hidráulica para levantar el equipo de corte hasta la posición de transporte y para bajarlo hasta la posición de corte. La elevación hidráulica utiliza

presión hidráulica, por lo que el motor debe estar en marcha para que funcione.



Interruptor funcional de la toma de corriente trasera

El interruptor funcional (A) se utiliza para hacer funcionar algunos de los accesorios homologados que se conectan a la toma de corriente trasera. El interruptor funcional tiene diferentes funciones en los diferentes tipos de accesorios. Consulte el manual de usuario del accesorio.

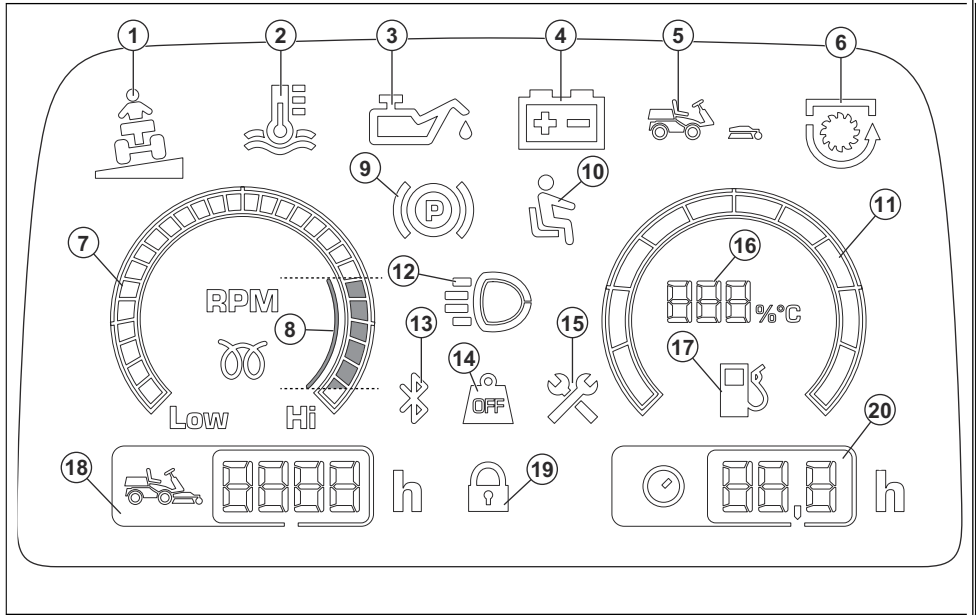


Equipo de corte

Los equipos de corte para este producto son equipos Combi con BioClip. BioClip corta la hierba y la convierte en fertilizante. Los equipos de corte Combi también se pueden utilizar sin BioClip. Sin BioClip, la hierba se expulsa por la parte trasera.

Display

La pantalla del panel de instrumentos muestra información sobre el estado del producto.



1. Indicador de pendiente
2. Indicador de temperatura hidráulica
3. Indicador de presión del aceite
4. Indicador de carga de la batería
5. Indicador de la presencia de equipo de corte
6. Indicador de la TDF
7. Tacómetro
8. RPM del motor recomendadas cuando utiliza el producto.
9. Indicador de freno de estacionamiento
10. Control de presencia del usuario (OPC)
11. Calibrador de combustible
12. Indicador de luz de trabajo o de luz de carretera
13. Bluetooth®
14. Transferencia de peso desacoplada
15. Indicador de mantenimiento
16. Calibrador de combustible medido en intervalos de 10%
17. Indicador de nivel de combustible bajo
18. Tiempo total de funcionamiento
19. Bloqueo digital
20. Tiempo de funcionamiento

Nota: La apariencia de la pantalla puede variar dependiendo del modelo.

Símbolos que aparecen en el producto



ADVERTENCIA: Su uso descuidado o erróneo puede provocar lesiones graves o mortales al operador o a otras personas.



Lea detenidamente el manual de usuario y asegúrese de que entiende las instrucciones antes de usar la máquina.



Cuchillas giratorias: Mantenga las partes del cuerpo alejadas.



Advertencia: Piezas giratorias. Mantenga las partes del cuerpo alejadas.



Tenga cuidado con los objetos expulsados o rebotados.



Nunca utilice el producto cerca de personas, especialmente niños o mascotas.



Mire hacia atrás antes y durante el desplazamiento del producto marcha atrás.



No corte nunca la hierba de forma transversal en una pendiente. No corte la hierba en terrenos con pendientes de más de 10°. Consulte la sección *Corte del césped en pendientes en la página 51*.



No lleve nunca pasajeros en el producto o el equipo.



Desplazamiento hacia delante.

N

Punto muerto.



Desplazamiento marcha atrás.



Freno de estacionamiento.



Este producto cumple con las directivas CE vigentes.



Las emisiones sonoras en el entorno según la directiva de la Comunidad Europea. Las emisiones del producto se indican en el capítulo «Datos técnicos» y en la etiqueta.



Utilice siempre una protección de oídos homologada.



Transferencia de peso desacoplada.



Transferencia de peso acoplada.



Pare el motor.

START

Arranque el motor.



Régimen del motor: rápido.



Régimen del motor: lento.



Combustible.



Máx. 10 % de etanol.



Altura de corte.



La posición de servicio de la palanca de altura de corte.



Las cuchillas están activadas.



Las cuchillas están desactivadas.



Posición de transporte del equipo de corte.



Posición de funcionamiento del equipo de corte.



Engranaje y desengranaje del sistema de transmisión.



Nivel de aceite.

Nota: Los demás símbolos/etiquetas que aparecen en el producto corresponden a requisitos de homologación específicos de algunas zonas comerciales.

UE V



ADVERTENCIA: La manipulación del motor anula la homologación de la UE de este producto.

Responsabilidad sobre el producto

Como se estipula en las leyes de responsabilidad del producto, no nos hacemos responsables de los daños y perjuicios causados por nuestro producto si:

- El producto se ha reparado incorrectamente.
- El producto se ha reparado con piezas que no eran del fabricante o no autorizadas por el fabricante.
- El producto tiene un accesorio que no es del fabricante o no está autorizado por este.
- El producto no se ha reparado en un centro de servicio autorizado o por un organismo homologado.

Seguridad

Definiciones de seguridad

Las advertencias, precauciones y notas se utilizan para destacar información especialmente importante del manual.



ADVERTENCIA: Indica un riesgo de lesiones o incluso de muerte del usuario o de las personas cercanas si no se respetan las instrucciones del manual.



PRECAUCIÓN: Indica un riesgo de daños en el producto, otros materiales o el área adyacente si no se respetan las instrucciones del manual.

Nota: Se usa para proporcionar más información necesaria en una situación determinada.

Instrucciones generales de seguridad



ADVERTENCIA: Este producto puede cortar las manos y los pies, y arrojar objetos. Puede causar lesiones graves o incluso la muerte si no siguen las instrucciones de seguridad.



ADVERTENCIA: No se debe continuar utilizando un producto con un equipo de corte dañado, ya que este puede arrojar objetos y causar lesiones graves o incluso la muerte. Sustituya las cuchillas dañadas inmediatamente.

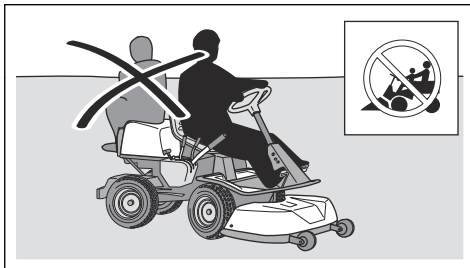


ADVERTENCIA: Este producto genera un campo electromagnético durante el funcionamiento. Este campo magnético puede, en determinadas circunstancias, interferir con implantes médicos activos o pasivos. Para reducir el riesgo de que se den condiciones que provocarían lesiones graves o letales, las personas que utilizan implantes médicos deben consultar con su médico y con el fabricante del implante antes de poner en marcha este producto.



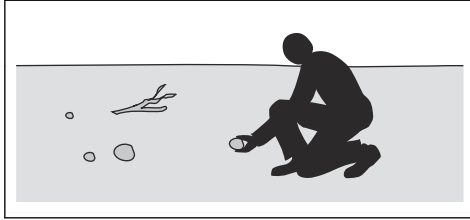
ADVERTENCIA: Lea las siguientes instrucciones de advertencia antes de utilizar el producto.

- Proceda siempre con cuidado y utilice siempre el sentido común. Evite todas aquellas situaciones que considere que sobrepasan sus capacidades. Si después de leer el manual de usuario no se siente seguro respecto a los procedimientos de funcionamiento, consulte con un experto antes de continuar.
- Lea detenidamente y comprenda el manual de usuario y las instrucciones del producto antes de arrancar el producto.
- Aprenda a utilizar el producto y sus controles de forma segura, y aprenda a detener el producto con rapidez.
- Aprenda a reconocer las etiquetas de seguridad.
- Mantenga el producto limpio para asegurarse de que puede leer claramente los símbolos y las pegatinas.
- Debe tenerse en cuenta que el operador será responsable de los accidentes que involucren a otras personas o a su propiedad.
- No transporte pasajeros. El producto debe ser usado únicamente por una persona.



- No deje que el producto permanezca sin supervisión con el motor en marcha. Pare siempre las cuchillas, ponga el freno de estacionamiento, detenga el motor y quite la llave de contacto antes de dejar el producto sin supervisión.
- Utilice el producto únicamente con la luz del día o en áreas con buena iluminación. Mantenga el producto a una distancia segura respecto a orificios u otras irregularidades del suelo. Tenga cuidado con otros posibles riesgos.
- No utilice el producto en condiciones climáticas desfavorables, por ejemplo, con niebla, lluvia, humedad, lugares húmedos, viento fuerte, frío intenso, posibilidad de relámpagos, etc.
- Localice y marque piedras y otros objetos fijos para no colisionar con ellos.

- Limpie la zona de objetos tales como piedras, juguetes, cables, etc. que se podrían quedar atrapados en las cuchillas y ser lanzados.



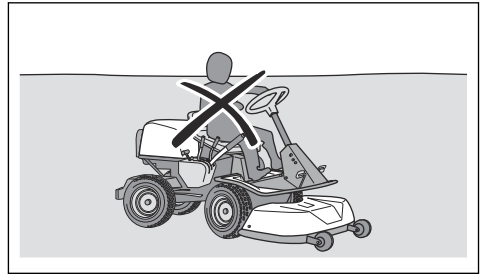
- No deje que los niños u otras personas no autorizadas utilicen el producto ni realicen su mantenimiento. La legislación local regula la edad del usuario.
- Asegúrese de que no hay nadie en las proximidades del producto cuando arranque el motor, accione la transmisión o comience a desplazar el producto.
- Preste atención al tráfico cuando utilice la máquina cerca de una carretera o se desplace por una.
- No utilice el producto si está cansado, si ha ingerido alcohol o drogas, o si toma medicamentos o cualquier otra sustancia que puedan afectar la vista, su capacidad de discernimiento o el control del cuerpo.
- Estacione siempre el producto en una superficie nivelada con el motor apagado.

Instrucciones de seguridad relativas a los niños



ADVERTENCIA: Lea las siguientes instrucciones de advertencia antes de utilizar el producto.

- Pueden producirse accidentes graves si no vigila a los niños que estén cerca del producto. Los niños pueden sentirse atraídos por el producto y por cortar el césped. Es muy posible que los niños no se queden quietos donde los vio por última vez.
- Mantenga a los niños alejados de la zona de corte. Asegúrese de que hay presente un adulto responsable de los niños.
- Preste atención y detenga el producto si un niño entra en la zona de trabajo. Tenga mucho cuidado cuando se acerque a esquinas, arbustos, árboles u otros objetos que podrían bloquear su buena visibilidad.
- Antes de desplazar el producto marcha atrás, mire hacia atrás y hacia abajo para asegurarse de que no hay niños pequeños en las proximidades del producto.
- No deje que los niños monten con usted. Pueden caerse y sufrir graves lesiones o impedir el manejo seguro del producto.
- No deje que los niños manejen el producto.



Instrucciones de seguridad para el funcionamiento



ADVERTENCIA: No toque el motor ni el sistema de escape durante o directamente después del uso. El motor y el sistema de escape pueden calentarse mucho durante el funcionamiento. Riesgo de quemaduras, incendio y daños en la propiedad o las zonas adyacentes. Al utilizar el producto, alejese de los arbustos y otros objetos.



ADVERTENCIA: Lea las siguientes instrucciones de advertencia antes de utilizar el producto.

- Antes de desplazarse marcha atrás, mire bien detrás y hacia abajo. Tenga cuidado con los obstáculos grandes y pequeños.
- Reduzca la velocidad antes de doblar una esquina.
- Detenga las cuchillas cuando se mueva por zonas que no requieran corte.



PRECAUCIÓN: Lea las siguientes instrucciones de precaución antes de utilizar el producto.

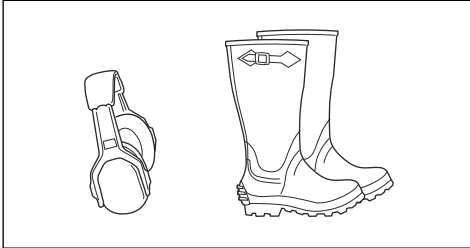
- Antes de usar el producto, limpie la hierba y la suciedad de la toma de aire frío del motor. Si la toma de aire frío se bloquea, se corre el riesgo de dañar el motor.
- Muévase con cuidado alrededor de piedras y otros objetos grandes, y asegúrese de que las cuchillas no golpean los objetos.
- No pase con el producto por encima de objetos. Si pasa con el producto por encima de algún objeto o choca con él, deténgase y examine el producto y el equipo de corte. Si es necesario, realice cualquier reparación necesaria antes de volver a ponerse en marcha.

Equipo de protección personal



ADVERTENCIA: Lea las siguientes instrucciones de advertencia antes de utilizar el producto.

- Para trabajar con el producto debe utilizar un equipo de protección personal homologado. El equipo de protección personal no elimina completamente el riesgo de lesiones, pero reduce la gravedad de las lesiones en caso de accidente. Deje que el distribuidor le ayude a seleccionar el equipo adecuado.
- Se debe utilizar siempre protección auditiva homologada. La exposición prolongada al ruido puede causar daños crónicos en el oído.
- Lleve siempre calzado de seguridad o botas de protección. Se recomienda llevar punteras de acero. No utilice el producto descalzo.



- Utilice guantes cuando sea necesario, por ejemplo, para el montaje, inspección o limpieza del equipo de corte.
- No lleve ropa suelta, joyas u otros objetos que puedan quedar atrapados en las piezas móviles.
- Mantenga el equipo de primeros auxilios y el extintor de incendios cerca.

Dispositivos de seguridad en el producto



ADVERTENCIA: Lea las siguientes instrucciones de advertencia antes de utilizar el producto.

- No utilice un producto que tenga dispositivos de seguridad defectuosos. Realice una comprobación de los dispositivos de seguridad con frecuencia. Si los dispositivos de seguridad están defectuosos, hable con su taller de servicio Husqvarna.
- No realice ninguna modificación de los dispositivos de seguridad. No utilice el producto si las placas protectoras, las cubiertas de protección, los interruptores de seguridad u otros dispositivos de protección no están instalados o están dañados.

Comprobación del contacto

- Arranque y detenga el motor para realizar una comprobación del contacto. Consulte el apartado *Arranque del motor en la página 57* y *Para parar el motor en la página 58*.
- Asegúrese de que el motor arranca cuando gire la llave de contacto a START.
- Asegúrese de que el motor se detiene cuando gire la llave de contacto a STOP.

Condiciones de funcionamiento

Para arrancar el motor, se deben dar las siguientes condiciones:

- El operador se encuentra en el asiento.
- El freno de estacionamiento está accionado.
- La transmisión de las cuchillas está desacoplada.

El motor se debe detener en las siguientes situaciones:

- El freno de estacionamiento no está accionado y el operador se levanta del asiento.

La transmisión de las cuchillas se debe detener en las siguientes situaciones:

- El freno de estacionamiento está accionado y el operador se levanta del asiento.
- Se presiona el botón de la TDF hacia abajo.

Intente poner en marcha el motor incumpliendo una de las condiciones. Inténtelo de nuevo en el otro supuesto. Realice esta prueba a diario.

Comprobación del limitador de velocidad

- Suelte el pedal de marcha adelante para frenar.
- Para obtener más potencia de frenado, pise el pedal de marcha atrás.
- Asegúrese de que los pedales de marcha adelante y marcha atrás no están bloqueados y se pueden accionar libremente.
- Asegúrese de que el producto frena cuando se suelta el pedal de marcha adelante.

Freno de estacionamiento



ADVERTENCIA: Si el freno de estacionamiento no funciona, el producto puede comenzar a moverse y provocar daños o lesiones. Asegúrese de que el freno de estacionamiento se examina y ajusta con frecuencia.

Consulte *Comprobación del freno de estacionamiento en la página 62*.

Silenciador

El silenciador mantiene al mínimo los niveles de ruido y aparta los gases de escape del operador.

No utilice el producto si el silenciador no está instalado o está defectuoso. Un silenciador defectuoso aumenta el nivel de ruido y el riesgo de incendio.



ADVERTENCIA: El silenciador se calienta mucho durante y después de su uso, y cuando el motor funciona a ralentí. Tenga cuidado cerca de materiales inflamables o gases para evitar incendios.

Comprobación del silenciador

- Examine el silenciador con frecuencia para asegurarse de que está montado correctamente y que no está dañado.

Tapas protectoras

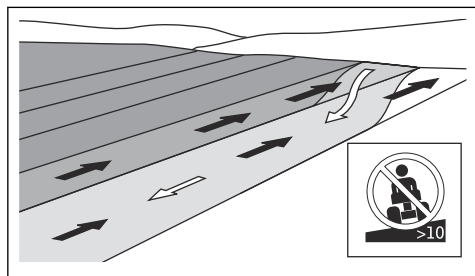
Si el producto no dispone de tapas protectoras o estas están dañadas, aumenta el riesgo de lesiones por piezas móviles y superficies calientes. Compruebe las tapas protectoras antes de poner en marcha el producto. Asegúrese de que las tapas protectoras están montadas correctamente y no tienen grietas u otros daños. Sustituya las tapas dañadas.

Corte del césped en pendientes



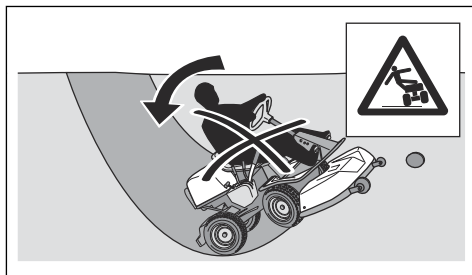
ADVERTENCIA: Lea las siguientes instrucciones de advertencia antes de utilizar el producto.

- Cortar el césped en pendientes aumenta el riesgo de perder el control del producto y que este vuelque, lo que puede provocar lesiones graves o la muerte. Es necesario cortar el césped con cuidado en todas las pendientes. Si no puede dar marcha atrás en una pendiente o si no se siente seguro en ella, no utilice la máquina.
- Quite piedras, ramas y otros obstáculos.
- En las pendientes, trabaje de arriba a abajo y no de lado a lado.
- No baje por una pendiente con el equipo de corte elevado.
- No utilice el producto en pendientes de más de 10°.



- No arranque ni detenga la máquina en una pendiente.
- En pendientes, desplácese con suavidad y lentamente.
- No realice cambios súbitos de velocidad ni dirección.
- No gire más de lo necesario. Cuando baje por una pendiente, gire de forma lenta y gradual. Muévase a baja velocidad. Gire la rueda con cuidado.
- Tenga cuidado, no se mueva a través de surcos, agujeros y baches, ya que existe un alto riesgo de que el producto se vuelque sobre una superficie que no es plana. El césped crecido puede esconder obstáculos.

- No corte el césped cerca de bordes, zanjas o terraplenes. El producto puede volcar repentinamente si alguna de las ruedas pasa por el borde de una fuerte pendiente o una zanja, o si falta un trozo de bordillo. Si el producto cae al agua, existe riesgo de ahogamiento.



- No corte hierba mojada. Es resbaladiza y las ruedas pueden perder adherencia, y el producto puede patinar.
- No ponga el pie en el suelo para intentar que el producto sea más estable.
- Muévase con mucho cuidado si hay conectado un accesorio u otro objeto que pueda hacer que el producto sea menos estable.
- Para aumentar la estabilidad, coloque los contrapesos. Póngase en contacto con su distribuidor para obtener más información.

Seguridad durante el remolque

- Utilice únicamente el equipo de remolque aprobado por Husqvarna.
- Use la barra de remolque para acoplar el equipo.
- No remolque equipo cuyo peso sea superior al peso máximo autorizado. Consulte la sección *Datos técnicos en la página 79*.
- Asegúrese de que no haya otras personas cerca del producto al remolcar equipo.
- No remolque equipo en pendientes o terreno irregular.
- Utilice el producto a baja velocidad al remolcar equipo.

Seguridad en el uso del combustible



ADVERTENCIA: Tenga cuidado con el combustible. Es muy inflamable y puede causar lesiones y daños a la propiedad.



ADVERTENCIA: Lea las siguientes instrucciones de advertencia antes de utilizar el producto.

- No llene el depósito de combustible en interiores.
- La gasolina y los gases de la gasolina son tóxicos y muy inflamables. Tenga cuidado con la gasolina para evitar lesiones o incendios.

- No retire el tapón de combustible ni llene el depósito de combustible cuando el motor esté en marcha.
- Deje que el motor se enfríe antes de repostar combustible.
- No fume cuando reposte combustible.
- No reposte combustible cerca de chispas o llamas descubiertas.
- Si hay fugas en el sistema de combustible, no arranque el motor hasta que se reparen las fugas.
- No reposte por encima del nivel de combustible recomendado. No llene demasiado el depósito de combustible ya que
- el calor procedente del motor y el sol hace que el combustible se expanda y se desborde si el depósito se llena demasiado. Si derrama carburante en el producto, límpielo y espere a que se haya secado antes de arrancar el motor. Si derrama combustible sobre la ropa, cámbiese inmediatamente.
- Almacene el combustible solo en recipientes homologados.
- Guarde el producto y el combustible de manera que no haya riesgo de que las fugas de combustible o los gases puedan causar daños.
- Vacíe el combustible en un depósito homologado situado en el exterior y lejos de llamas descubiertas.

- Deseche las baterías sustituidas. Consulte *Eliminación en la página 77*.
- Pueden salir gases explosivos de la batería. No fume cerca de la batería. Mantenga la batería lejos de llamas abiertas y chispas.

Instrucciones de seguridad para el mantenimiento



ADVERTENCIA: El producto es pesado y puede ocasionar lesiones o daños a los equipos o el área adyacente. No realice tareas de mantenimiento en el motor ni el equipo de corte si no se cumplen estas condiciones:

- El motor está apagado.
- El producto está estacionado en una superficie nivelada.
- El freno de estacionamiento está accionado.
- La llave de contacto está quitada.
- El equipo de corte está desacoplado.
- Los cables de encendido se han extraído de las bujías.



ADVERTENCIA: Los gases de escape del motor contienen monóxido de carbono, que es un gas inodoro, tóxico y muy peligroso. No ponga en marcha el producto en espacios cerrados ni espacios que no estén bien ventilados.



ADVERTENCIA: Lea las siguientes instrucciones de advertencia antes de utilizar el producto.

Seguridad en el transporte

- Utilice solo un vehículo de transporte homologado para el transporte del producto.
- Las regulaciones locales o nacionales de los mercados podrían establecer límites en los transportes del producto.
- El operario del vehículo de transporte es el responsable de sujetar el producto de forma segura durante el transporte.

Seguridad de la batería



ADVERTENCIA: Una batería dañada puede explotar y causar lesiones. Si la batería está deformada o dañada, póngase en contacto con un taller de servicio Husqvarna homologado.



ADVERTENCIA: Lea las siguientes instrucciones de advertencia antes de utilizar el producto.

- Use gafas protectoras cuando esté cerca de las baterías.
- No lleve relojes, joyas ni otros objetos metálicos cerca de la batería.
- Mantenga la batería fuera del alcance de los niños.
- Cargue la batería en un espacio con buena ventilación.
- Cuando cargue la batería, mantenga los materiales inflamables a una holgura mínima de 1 m.
- Para lograr un mejor rendimiento y seguridad, realice el mantenimiento del producto periódicamente según lo establecido en el programa de mantenimiento. Consulte *Programa de mantenimiento para el operador en la página 58*.
- Las descargas eléctricas pueden causar lesiones. No toque los cables cuando el motor está encendido. No realice una prueba de funcionamiento del sistema de encendido con los dedos.
- No arranque el motor si se han retirado las cubiertas de protección. Existe un alto riesgo de lesiones causadas por las piezas móviles o calientes.
- Deje que el producto se enfríe antes de llevar a cabo alguna tarea de mantenimiento cerca del motor.
- Las cuchillas están afiladas y pueden provocar cortes. Cuando trabaje en las cuchillas, use una protección contra el viento alrededor de las mismas o lleve guantes protectores.
- Coloque el equipo de corte siempre en posición de servicio para limpiarlo. No estacione el producto cerca del borde de una zanja ni de una pendiente si va a acceder al equipo de corte.



PRECAUCIÓN: Lea las siguientes instrucciones de precaución antes de utilizar el producto.

- No encienda el motor si se han desconectado la bujía o el cable de encendido.
- Asegúrese de que todas las tuercas y pernos están apretados correctamente y que el equipo está en buen estado.

- No cambie el ajuste de los reguladores. Si el régimen del motor es demasiado alto, los componentes del producto pueden dañarse. Consulte *Datos técnicos en la página 79* para saber el máximo régimen de motor permitido.
- El producto está homologado con el equipo original proporcionado o recomendado por el fabricante.

Montaje

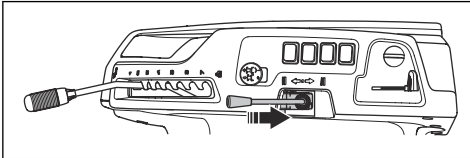
Introducción



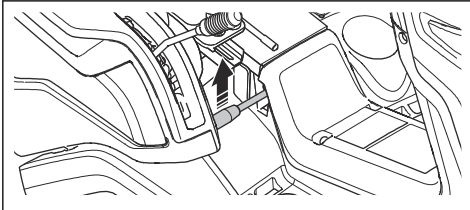
ADVERTENCIA: Asegúrese de leer y comprender el capítulo sobre seguridad antes de montar el producto.

Montaje del equipo de corte

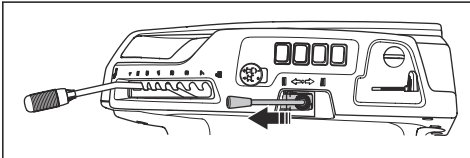
1. Estacione el producto en un suelo nivelado.
2. Aplique el freno de estacionamiento.
3. Ajuste la palanca de elevación del equipo de corte en la posición de transporte.



4. Mueva la palanca de transferencia de peso hacia arriba para desacoplar la transferencia de peso.

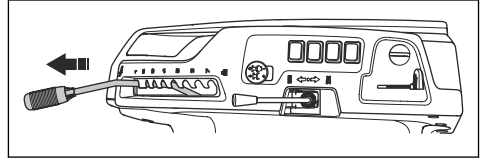


5. Ajuste la palanca de elevación del equipo de corte en la posición de corte.

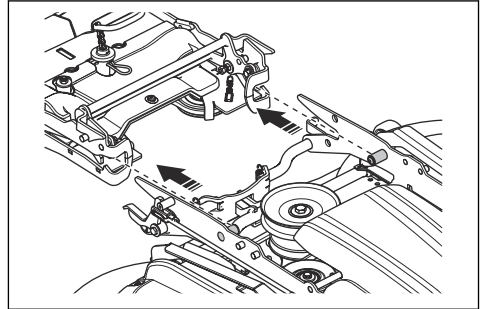


6. Pare el motor.

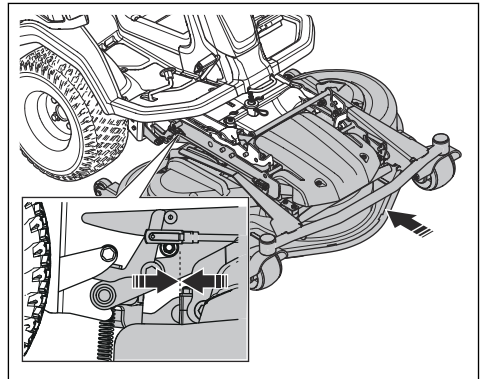
7. Coloque la palanca de altura de corte en la posición de servicio.



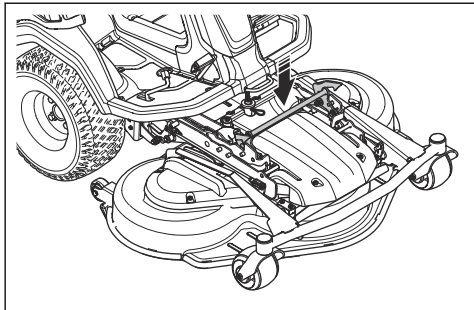
8. Alinee el equipo de corte con el bastidor del equipo.



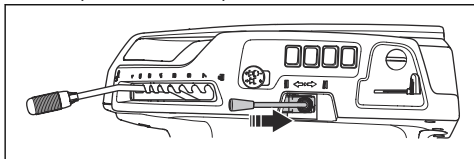
9. Deslice el equipo de corte en el bastidor del equipo hasta que se detenga.



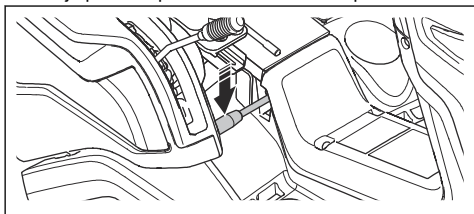
10. Presione hacia abajo la palanca de bloqueo.



11. Ajuste la palanca de elevación del equipo de corte en la posición de transporte.

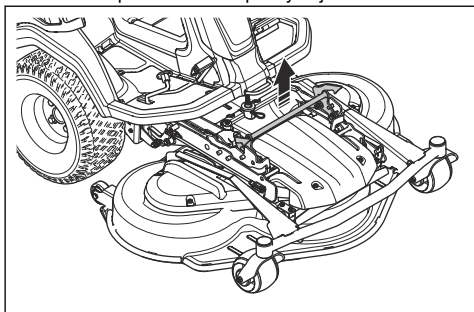


12. Mueva la palanca de transferencia de peso hacia abajo para acoplar la transferencia de peso.

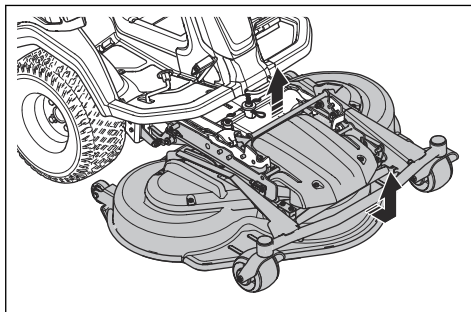


Desmontaje del equipo de corte

1. Lleve a cabo los pasos del 1 al 7 de *Montaje del equipo de corte en la página 53*.
2. Tire de la palanca de bloqueo y sujétela.



3. Agarre el borde delantero del equipo de corte y tire de él hacia delante mientras sujeta la palanca de bloqueo. Tire del equipo de corte hasta la posición final.



Nota: Si no puede tirar del equipo de corte hasta su posición final, suelte la palanca de bloqueo y tire de ella de nuevo.

4. Tire de la palanca de bloqueo y sujétela; a continuación, levante la parte delantera del equipo de corte hasta que se suelte. Levante hasta que la parte delantera del equipo de corte se haya soltado del bastidor del equipo.
5. Saque el equipo de corte.

Funcionamiento

Introducción



ADVERTENCIA: Antes de utilizar el producto, debe leer y entender el capítulo sobre seguridad.

Para empezar a utilizar Husqvarna Connect

1. Descargue la aplicación Husqvarna Connect en su dispositivo móvil.
2. Registre una cuenta en la aplicación Husqvarna Connect.
3. Siga las instrucciones de la aplicación Husqvarna Connect para conectarse y registrar el producto.

Repostaje de combustible



ADVERTENCIA: La gasolina es muy inflamable. Tenga cuidado y haga el repostaje al aire libre (consulte *Seguridad en el uso del combustible en la página 51*).



ADVERTENCIA: No utilice el depósito de combustible como punto de apoyo.



PRECAUCIÓN: Un tipo de combustible incorrecto puede producir daños en el motor.

El motor funciona con gasolina con un octanaje mínimo de 91 RON (87 AKI), sin mezcla de aceite. Le recomendamos gasolina a base de alquilatos biodegradable. No utilice gasolina que contenga más de un 10 % de etanol.

- Realice una comprobación del nivel de combustible antes de cada uso y reposte si es necesario.
- No llene el depósito de combustible completamente. Deje un espacio mínimo de 2,5 cm.

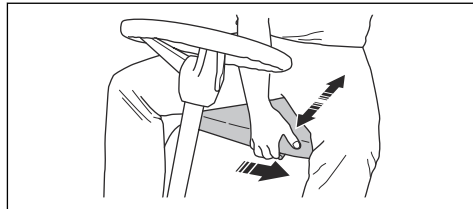
Ajuste del asiento



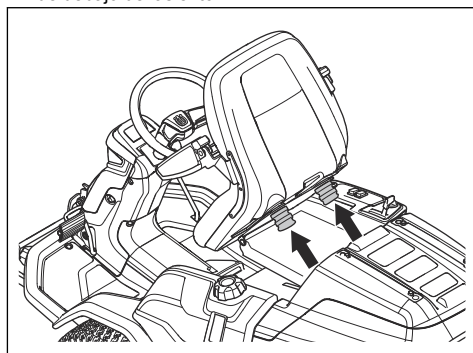
ADVERTENCIA: No ajuste el asiento mientras está usando el producto.

1. Para ajustar el asiento hacia delante y hacia atrás, coloque el pie en la placa reposapiés.
2. Empuje la palanca situada bajo el borde delantero del asiento hacia un lado.

3. Mueva el asiento a la posición adecuada para usted.



4. Para ajustar los muelles del asiento, mueva los 2 topes de goma situados debajo del asiento, tal como se indica en la ilustración. Ponga los 2 topes de goma en los orificios delanteros, centrales o traseros de debajo del asiento.

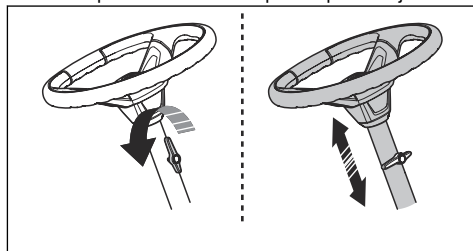


Ajuste de la altura del volante



ADVERTENCIA: No ajuste la altura del volante mientras utiliza el producto.

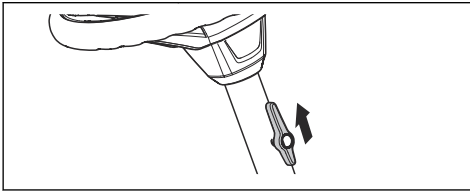
1. Gire la palomilla hacia la izquierda para aflojarla.



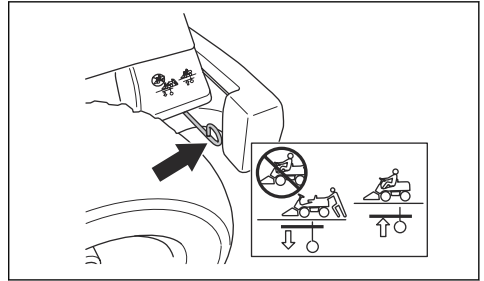
2. Ajuste la altura del volante.
3. Gire la palomilla hacia la derecha para apretarla.



PRECAUCIÓN: Asegúrese de que el extremo largo de la palomilla apunta hacia arriba.

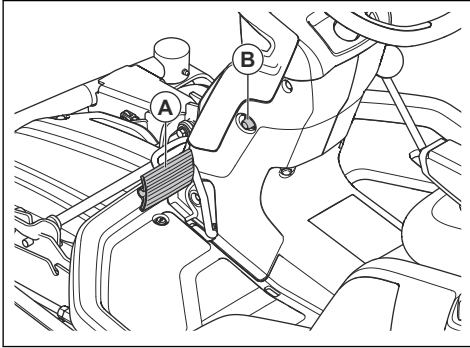


trasero se encuentra detrás de la rueda trasera izquierda.

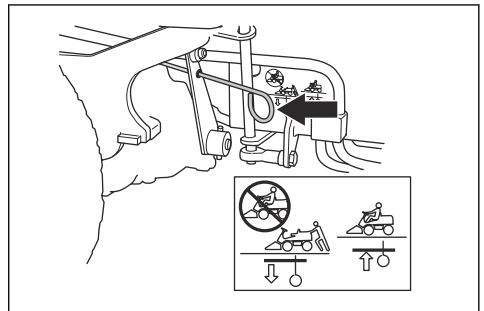


Aplicar y soltar el freno de estacionamiento

1. Pise el pedal del freno de estacionamiento (A).
2. Pulse y mantenga pulsado el botón de bloqueo (B).



La palanca del sistema de transmisión para el eje delantero se encuentra detrás de la rueda delantera izquierda.



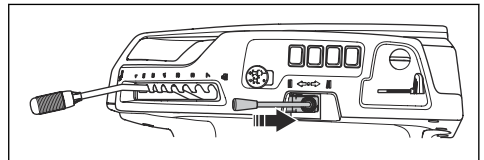
3. Mantenga pulsado el botón de bloqueo y suelte el pedal del freno de estacionamiento.
4. Para soltar el freno de estacionamiento, pise el pedal del freno de estacionamiento.

Elevación y bajada del equipo de corte

- Para elevar el equipo de corte hasta la posición de transporte, tire de la palanca de elevación hacia atrás.

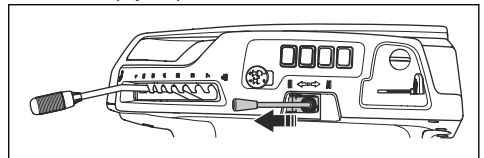
Engranaje y desengranaje del sistema de transmisión

Para mover el producto con el motor apagado, el sistema de transmisión debe estar desengranado. Tire de la palanca del sistema de transmisión hasta el tope para desengranar la transmisión del eje. Empuje la palanca del sistema de transmisión hasta el tope para accionar el motor en el eje. No utilice las posiciones medias.



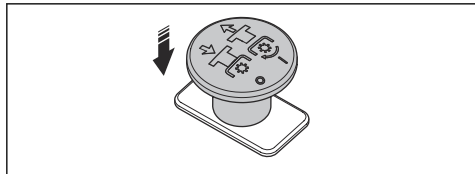
- Para bajar el equipo de corte hasta la posición de corte, empuje la palanca de elevación hacia delante.

El producto tiene una palanca del sistema de transmisión para el eje delantero y otra para el trasero. La palanca del sistema de transmisión para el eje

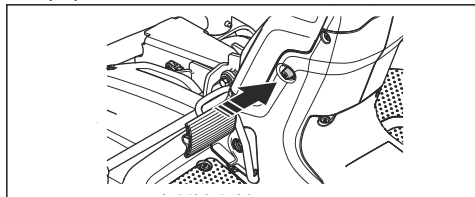


Arranque del motor

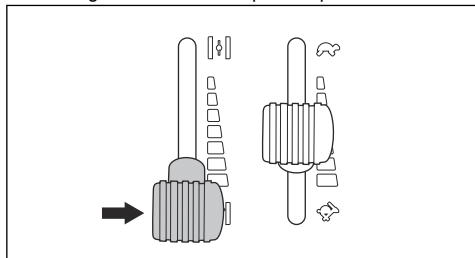
1. Pulse el botón de la TDF para desacoplar la transmisión del equipo de corte.



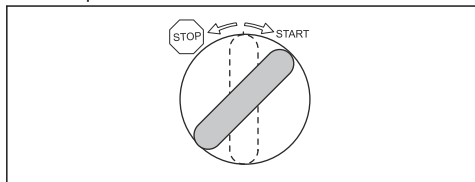
2. Aplique el freno de estacionamiento.



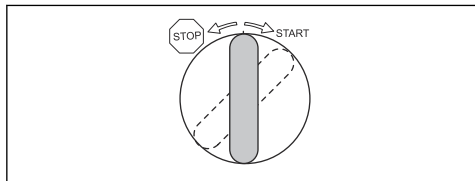
3. Para R 420TsX AWD: Si el motor está frío, mueva el estrangulador hacia atrás por completo.



4. Gire la llave de contacto hasta la posición de arranque.



5. Una vez que arranque el motor, suelte inmediatamente la llave de contacto a la posición neutra.



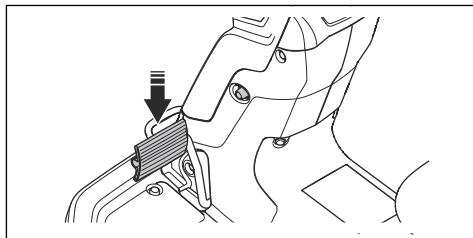
Nota: No deje la llave de contacto en la posición de arranque durante más de 5 segundos. Si el motor no

arranca, espere 15 segundos antes de intentarlo de nuevo.

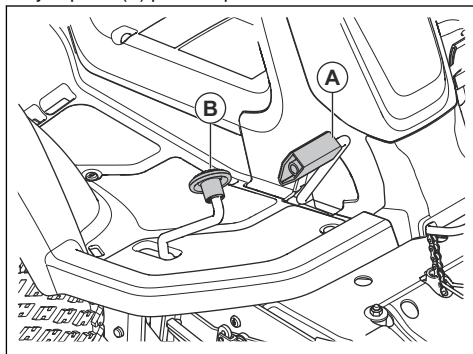
6. Deje que el motor funcione con el acelerador en la posición media durante 3-5 minutos antes de aplicar cargas pesadas.
7. Empuje el acelerador a la posición de aceleración máxima.

Manejo del producto

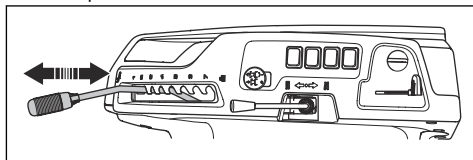
1. Arranque el motor. Consulte la sección *Arranque del motor en la página 57*.
2. Suelte el freno de estacionamiento.



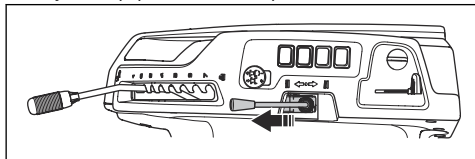
3. Pise con cuidado uno de los pedales de aceleración. Cuanto más pise el pedal, mayor será la velocidad. Utilice el pedal (A) para desplazarse hacia adelante y el pedal (B) para desplazarse hacia atrás.



4. Suelte el pedal del freno.
5. Seleccione la altura de corte (1-7) con la palanca correspondiente.



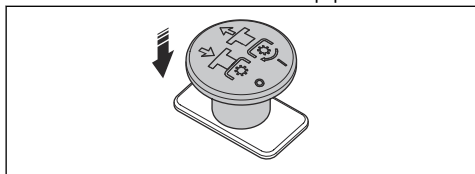
6. Desplace la palanca de elevación hacia delante para bajar el equipo de corte a la posición de corte.



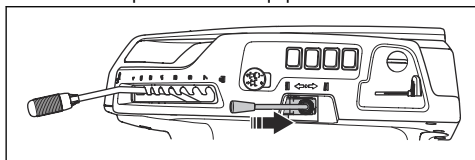
7. Tire del botón de la TDF para acoplar la transmisión de las cuchillas.

Para parar el motor

1. Presione el botón de la TDF para desacoplar la transmisión de las cuchillas del equipo de corte.

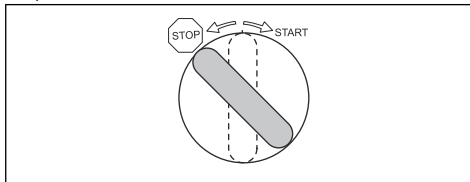


2. Tire de la palanca de elevación del equipo de corte hacia atrás para elevar el equipo de corte.



3. Aplique el freno de estacionamiento.

4. Gire la llave de encendido hasta la posición de parada.



Para obtener un buen resultado de corte

- Para lograr un mejor rendimiento, realice el mantenimiento del producto periódicamente según lo establecido en el programa de mantenimiento. Consulte la sección *Programa de mantenimiento para el operador en la página 58*.
- No corte el césped si está húmedo. La hierba mojada produce malos resultados.
- Empiece con una altura de corte elevada y redúzcala gradualmente.
- Corte con las cuchillas girando a alta velocidad (velocidad máxima del motor permitida, consulte *Datos técnicos en la página 79*). Mueva el producto hacia delante a baja velocidad. Si la hierba no está demasiado alta y espesa, también puede obtener un buen resultado de corte a una velocidad superior.
- Corte el césped siguiendo un patrón irregular.
- Para obtener los mejores resultados, corte el césped con frecuencia y utilice la función BioClip.

Mantenimiento

Introducción



ADVERTENCIA: Antes de realizar cualquier trabajo de mantenimiento, debe leer y entender el capítulo sobre seguridad.

X = Estas instrucciones se indican en este manual de usuario.

Nota: Si hay más de 1 intervalo de tiempo para una tarea, el más corto es para el primer mantenimiento. Tras el primer mantenimiento, siga el intervalo de tiempo mayor.

Programa de mantenimiento

* = Estas instrucciones no se indican en este manual de usuario.

Programa de mantenimiento para el operador

Mantenimiento	Mantenimiento diario antes de la puesta en marcha	Intervalo de mantenimiento en horas		
		50	100	200
Asegúrese de que las tuercas y los tornillos están bien apretados	*			
Asegúrese de que no haya fugas de combustible o aceite	*			
Limpie el producto	X			
Limpie la superficie interior del equipo de corte, alrededor de las cuchillas	X			

Mantenimiento	Mantenimiento diario antes de la puesta en marcha	Intervalo de mantenimiento en horas		
		50	100	200
Limpie la superficie alrededor del silenciador	X			
Asegúrese de que la toma de aire frío del motor no esté obstruida	X			
Asegúrese de que los dispositivos de seguridad no están defectuosos	X			
Examine y realice una prueba de los frenos	*			
Compruebe el nivel de aceite del motor	X			
Compruebe el nivel de aceite de la transmisión	X			
Compruebe los cables de la dirección	X			
Examine las cuchillas del equipo de corte	X			
Asegúrese de que las luces de carretera y de trabajo funcionan correctamente	*			
Limpie el equipo de corte, debajo de las cubiertas de la correa y debajo del equipo de corte		X		
Asegúrese de que la presión de los neumáticos es correcta		X		
Limpie el filtro de aire		X		
Compruebe el paralelismo del equipo de corte		X		
Lubrique el tensor de la correa		X		
Lubrique el asiento		X		
Sustituya el filtro de aire			X	
Cambie el aceite del motor ⁷		X		
Sustituya el filtro de aceite			X	
Sustituya el filtro de combustible.			X	
Cambie la bujía			X	

Limpieza del producto



PRECAUCIÓN: No utilice un equipo de limpieza de alta presión o de vapor. El agua puede introducirse en los cojinetes y las conexiones eléctricas, y provocar corrosión y daños al producto.

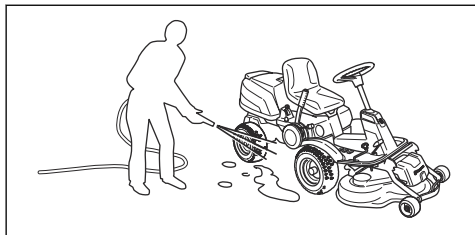
- Use agua corriente de una manguera para limpiar el producto. No utilice un equipo de limpieza a alta presión.
- No dirija el agua hacia los componentes eléctricos o los cojinetes. El detergente generalmente aumenta el daño.
- Para limpiar el equipo de corte, vuelva a colocarlo en la posición de servicio y límpielo con una manguera.

Limpie el producto inmediatamente después de usarlo.

- No limpie las superficies calientes, como el motor, el silenciador y el sistema de escape. Espere hasta que las superficies estén frías y, a continuación, retire la hierba o la suciedad.
- Antes de limpiar con agua, limpie con un cepillo. Retire la hierba cortada y la suciedad de los elementos siguientes y sus zonas adyacentes: transmisión, toma de aire de la transmisión y motor.

⁷ Para R 420TsX AWD, cámbielo por primera vez después de 8 horas de funcionamiento

- Cuando el producto esté limpio, arranque el equipo de corte durante un corto periodo para drenar el agua restante.



Limpeza del motor y el silenciador

Mantenga el motor y el silenciador limpios, sin restos de hierba ni suciedad. Los restos de hierba impregnados de combustible o aceite en el motor pueden aumentar el riesgo de incendio y el riesgo de que el motor se caliente en exceso. Deje que el motor se enfríe antes de limpiarlo. Limpie con agua y un cepillo.

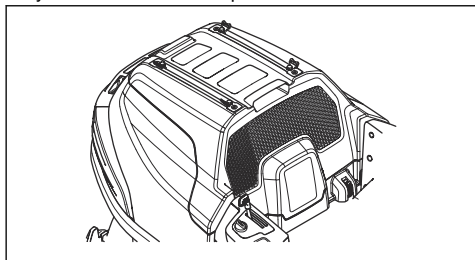
Los restos de hierba alrededor del silenciador se secan rápidamente y son un riesgo de incendio. Utilice un cepillo o retire los restos de hierba con agua cuando el silenciador esté frío.

Limpeza de la toma de aire frío del motor

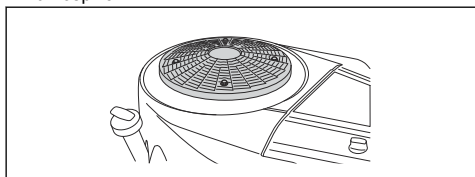


ADVERTENCIA: Pare el motor. La toma de aire frío gira y puede provocar lesiones en los dedos.

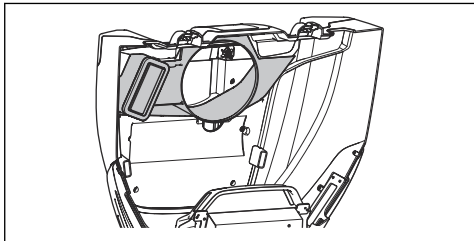
1. Asegúrese de que la rejilla de toma de aire frío de la cubierta del motor no esté obstruida. Retire la hierba y la suciedad con un cepillo.



2. Abra la cubierta del motor.
3. Asegúrese de que la toma de aire frío del motor no esté bloqueada. Retire la hierba y la suciedad con un cepillo.



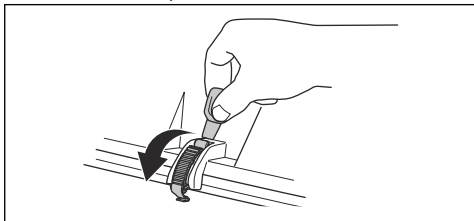
4. Examine el conducto de aire que se encuentra en la superficie interior de la cubierta del motor. Asegúrese de que el conducto de aire esté limpio y no frote el purificador de aire frío.



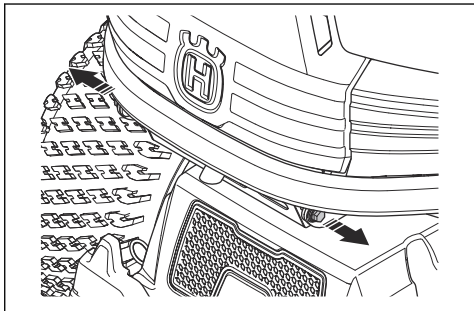
Para retirar las cubiertas

Extracción e instalación de la cubierta del motor

1. Incline el asiento hacia adelante.
2. Suelte los 2 clips de la cubierta del motor con la herramienta acoplada a la llave de contacto.



3. Retire los tornillos de las bisagras.

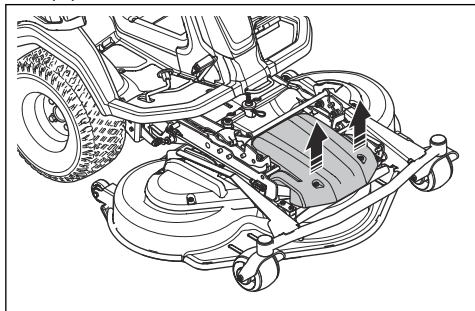


4. Incline la cubierta del motor hacia atrás.
5. Para el montaje, efectúe el mismo procedimiento en orden inverso.

Extracción e instalación de la tapa delantera del equipo de corte

1. Retire el equipo de corte. Consulte la sección *Desmontaje del equipo de corte en la página 54.*

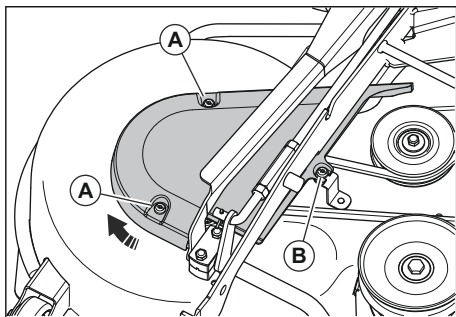
2. Retire los 2 tornillos y extraiga la tapa delantera del equipo de corte.



3. Para el montaje, efectúe el mismo procedimiento en orden inverso.

Extracción e instalación de la tapa lateral del equipo de corte

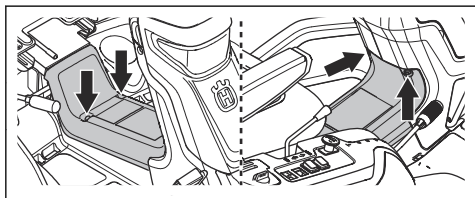
1. Retire el equipo de corte. Consulte la sección *Desmontaje del equipo de corte en la página 54*.
2. Retire los 2 tornillos (A) de la tapa lateral del equipo de corte.



3. Afloje, pero no retire, el tornillo (B).
4. Gire y retire la tapa lateral del equipo de corte.
5. Para el montaje, efectúe el mismo procedimiento en orden inverso.

Extracción e instalación de la cubierta del túnel de chasis

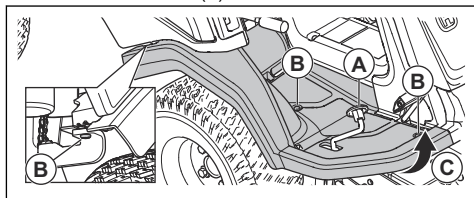
1. Mueva el asiento hacia atrás. Consulte la sección *Repostaje de combustible en la página 55*.
2. Retire los 4 tornillos y extraiga la cubierta del túnel del chasis.



3. Para el montaje, efectúe el mismo procedimiento en orden inverso.

Extracción e instalación de la placa reposapiés derecha

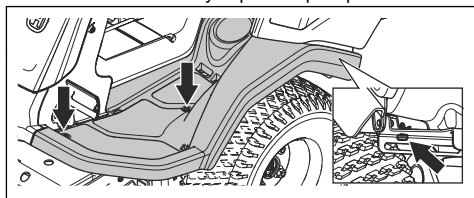
1. Extraiga la cubierta del túnel del chasis. Consulte la sección *Extracción e instalación de la cubierta del túnel de chasis en la página 61*.
2. Gire la perilla del pedal de marcha atrás (A) para extraerlo.
3. Quite los 3 tornillos (B).



4. Afloje los bordes de la placa reposapiés (C).
5. Extraiga la placa reposapiés.
6. Para el montaje, efectúe el mismo procedimiento en orden inverso.

Extracción e instalación de la placa reposapiés izquierda

1. Extraiga la cubierta del túnel del chasis. Consulte la sección *Extracción e instalación de la tapa delantera del equipo de corte en la página 60*.
2. Retire los 3 tornillos y la placa reposapiés.

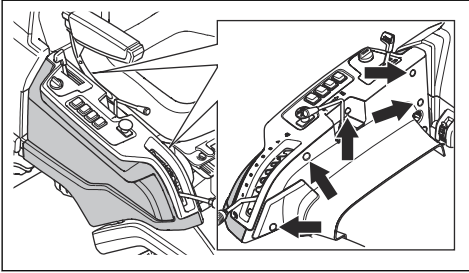


3. Para el montaje, efectúe el mismo procedimiento en orden inverso.

Extracción e instalación de la tapa lateral exterior derecha

1. Abra la cubierta del motor. Consulte la sección *Extracción e instalación de la cubierta del motor en la página 60*.

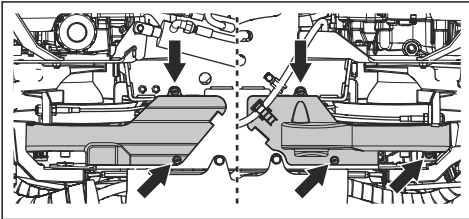
2. Quite los 6 tornillos y retire la tapa lateral derecha.



3. Para el montaje, efectúe el mismo procedimiento en orden inverso.

Para retirar la cubierta de la correa inferior

1. Quite los tornillos que fijan la cubierta de la correa inferior. Hay 2 tornillos en el lado derecho del producto y 3 tornillos en el izquierdo.



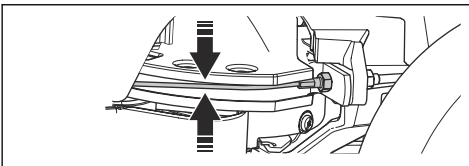
2. Retire la cubierta de la correa inferior.
3. Para el montaje, efectúe el mismo procedimiento en orden inverso.

Examinar los cables de la dirección

La tensión de los cables de la dirección puede disminuir después de un período de tiempo. Esto hace que el ajuste de la dirección cambie.

Examine y ajuste los cables de la dirección de la siguiente manera:

1. Los cables de la dirección están apretados correctamente si se pueden mover manualmente 5 mm hacia arriba o hacia abajo en la ranura de la columna de dirección.



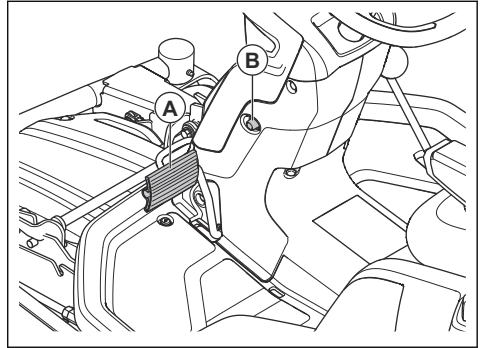
2. Si los cables están demasiado flojos, deje que un taller de servicio autorizado los ajuste.

Comprobación del freno de estacionamiento

1. Aparque el producto en una pendiente con una superficie firme.

Nota: No estacione el producto sobre una pendiente con hierba cuando realice una comprobación del freno de estacionamiento.

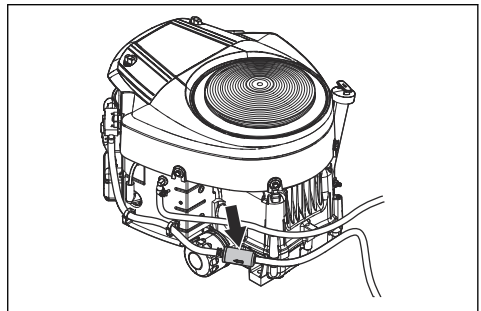
2. Pise el pedal del freno de estacionamiento (A).
3. Pulse y mantenga pulsado el botón de bloqueo (B) y suelte el pedal del freno de estacionamiento mientras el botón está pulsado.



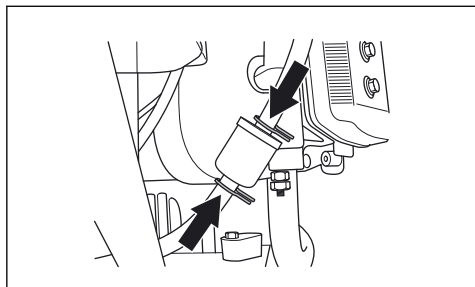
4. Si el producto empieza a moverse, deje que un taller de servicio autorizado ajuste el freno de estacionamiento.
5. Pise el pedal del freno de estacionamiento nuevamente para soltar el freno de estacionamiento.

Volver a colocar el filtro de combustible

1. Abra la cubierta del motor.
2. Aleje las presillas de manguera del filtro de combustible con un par de alicates planos.
3. Retire el filtro de combustible de los extremos de las mangueras. Puede producirse una pequeña fuga de combustible.

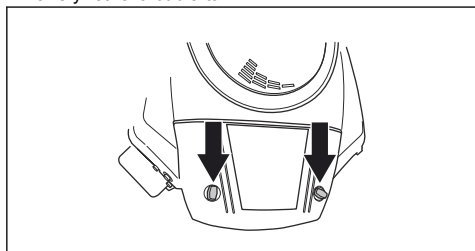


4. Presione el nuevo filtro de combustible en los extremos de las mangueras. Aplique líquido detergente a los extremos del filtro de combustible para facilitar la conexión.
5. Empuje las presillas de manguera contra el filtro de combustible.

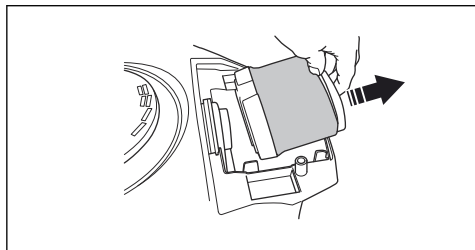


Limpeza y cambio del filtro de aire

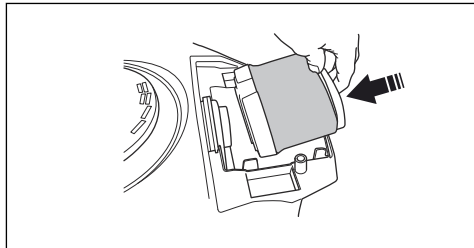
1. Abra la cubierta del motor.
2. Afloje los cierres que sujetan la cubierta del filtro de aire y retire la cubierta.



3. Retire el filtro de aire.



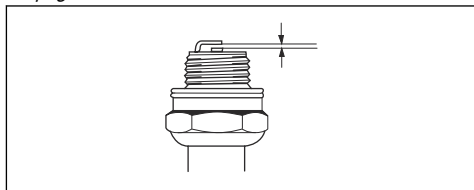
4. Utilice un cepillo para eliminar la grasa y la suciedad del filtro de aire, o sustituya el filtro de aire por uno nuevo. Consulte la sección *Programa de mantenimiento para el operador en la página 58*.



5. Instale el filtro de aire y la cubierta del filtro de aire. Apriete las ruedecillas.
6. Cierre la cubierta del motor.

Examen y sustitución de la bujía

1. Abra la cubierta del motor.
2. Quite el terminal del cable de encendido y limpie alrededor de la bujía.
3. Retire la bujía con una llave para bujías.
4. Examine la bujía. Sustitúyala si los electrodos están quemados o si el aislamiento presenta grietas o daños. Si la bujía no está dañada, límpiela con un cepillo de acero.
5. Mida la distancia entre los electrodos y asegúrese de que es la correcta. Consulte *Datos técnicos en la página 79*.



6. Doble el electrodo lateral para ajustar la distancia entre los electrodos.
7. Vuelva a colocar la bujía y gírela a mano hasta que alcance su asiento.
8. Apriete la bujía con la llave para bujías hasta que la arandela quede comprimida.
9. Apriete una bujía usada $\frac{1}{8}$ de vuelta más, y una bujía nueva $\frac{1}{4}$ de vuelta más.



PRECAUCIÓN: Unas bujías mal apretadas pueden causar daños en el motor.

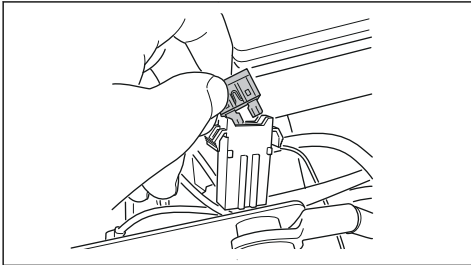


PRECAUCIÓN: No intente arrancar el motor si se ha desconectado la bujía o el cable de encendido.

Sustitución de fusibles

Los fusibles están colocados en 2 grupos. Los fusibles del módulo de control del cortacésped y del motor se encuentran en un soporte delante de la batería. Los fusibles de las salidas eléctricas auxiliares están en un soporte delante del enfriador del aceite hidráulico. Un fusible fundido se identifica por un conector quemado.

1. Abra la cubierta del motor.
2. Extraiga el fusible del soporte.



3. Cambie el fusible fundido.
4. Cierre la cubierta del motor.

Si el fusible se funde de nuevo en un breve período después de sustituirlo, hay un cortocircuito. Repare el cortocircuito antes de utilizar el producto de nuevo.

Carga de la batería

- Cargue la batería si está demasiado baja como para arrancar el motor.
- Utilice un cargador de baterías estándar.



PRECAUCIÓN: No utilice un cargador de refuerzo o un amplificador de arranque. Causará daños en el sistema eléctrico del producto.

- Antes de poner en marcha el motor, desconecte siempre el cargador.

Arranque de emergencia del motor

Si la batería está demasiado baja como para arrancar el motor, puede utilizar cables de puente para realizar un arranque de emergencia. Este producto tiene un sistema de 12 V con conexión a tierra negativa. El producto que se utilice para el arranque de emergencia debe tener también un sistema de 12 V con conexión a tierra negativa.

Conexión de los cables de puente

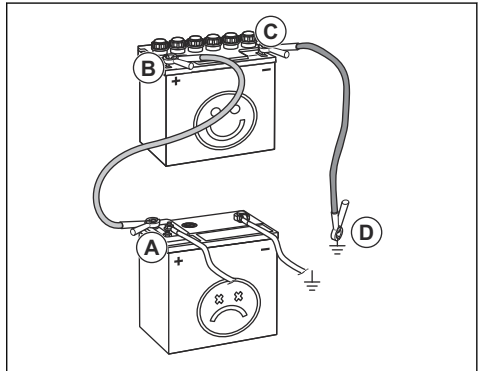


ADVERTENCIA: Existe riesgo de explosión debido a gases explosivos procedentes de la batería. No conecte el terminal negativo de una batería totalmente cargada al terminal negativo de una batería descargada, ni los coloque cerca.



PRECAUCIÓN: No utilice la batería de su producto para arrancar otros vehículos.

1. Desmonte la cubierta del motor.
2. Conecte un extremo del cable rojo al terminal de batería POSITIVO (+) de la batería descargada (A).



3. Conecte el otro extremo del cable rojo al terminal de batería POSITIVO (+) de la batería totalmente cargada (B).



ADVERTENCIA: No cortocircuite los extremos del cable rojo contra el chasis.

4. Conecte uno de los extremos del cable negro al terminal de batería NEGATIVO (-) de la batería totalmente cargada (C).
5. Conecte el otro extremo del cable negro a un punto de MASA DEL CHASIS (D), lejos del depósito de combustible y la batería.
6. Vuelva a colocar las cubiertas.

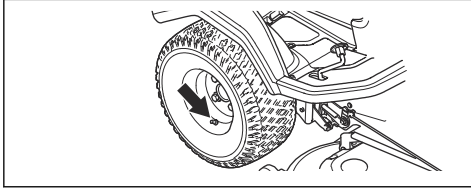
Retirada de los cables de puente

Nota: Retire los cables de puente siguiendo una secuencia opuesta a la de conexión.

1. Quite el cable NEGRO del chasis.
2. Quite el cable NEGRO de la batería totalmente cargada.
3. Quite el cable ROJO de las 2 baterías.

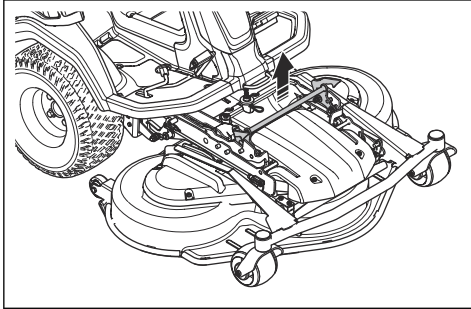
Presión de los neumáticos

Asegúrese de tener la presión correcta en los 4 neumáticos. Consulte la sección *Datos técnicos en la página 79*.

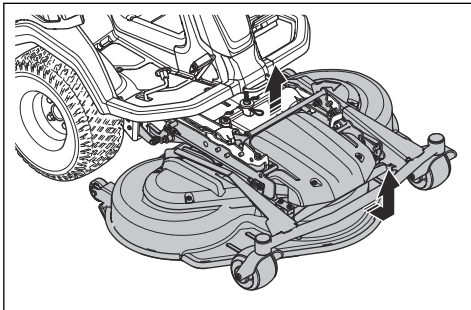


Puesta del equipo de corte en posición de servicio

1. Lleve a cabo los pasos del 1 al 7 de *Montaje del equipo de corte en la página 53*.
2. Tire de la palanca de bloqueo y sujétela.

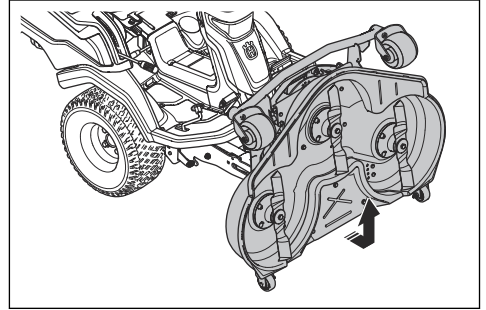


3. Agarre el borde delantero del equipo de corte y tire de él hacia delante mientras sujeta la palanca de bloqueo. Tire del equipo de corte hasta la posición final.



Nota: Si no puede tirar del equipo de corte hasta su posición final, suelte la palanca de bloqueo y tire de ella de nuevo.

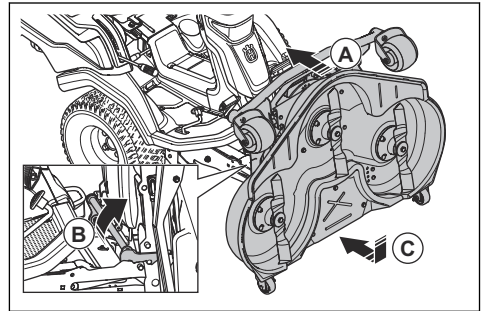
4. Levante el equipo de corte en posición vertical hasta que se oiga un clic. El equipo de corte se bloquea automáticamente en la posición vertical.



5. Tire con cuidado el borde delantero del equipo de corte hacia delante, para asegurarse de está bloqueado.

Colocación del equipo de corte en posición de corte

1. Sujete el borde delantero del equipo de corte (A) con una mano. Empuje el equipo de corte en la dirección del producto.
2. Tire de la palanca de bloqueo (B) con la otra mano para desacoplar la posición de bloqueo del equipo de corte.

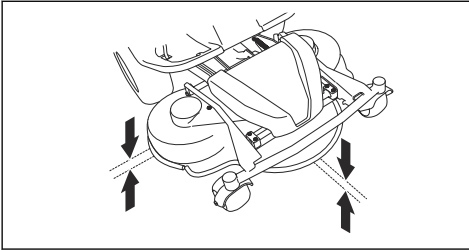


3. Doble hacia abajo el equipo de corte (C) hasta que quede a nivel del suelo.
4. Tire de la palanca de bloqueo y empuje el equipo de corte en la dirección del producto hasta que se detenga.
5. Presione hacia abajo la palanca de bloqueo.

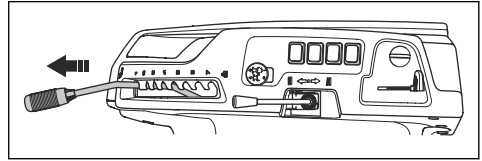
Comprobación del paralelismo del equipo de corte

1. Asegúrese de que la presión de aire de los neumáticos es la correcta. Consulte la sección *Datos técnicos en la página 79*.
2. Estacione el cortacésped en una superficie nivelada.
3. Baje el equipo de corte a la posición de corte.

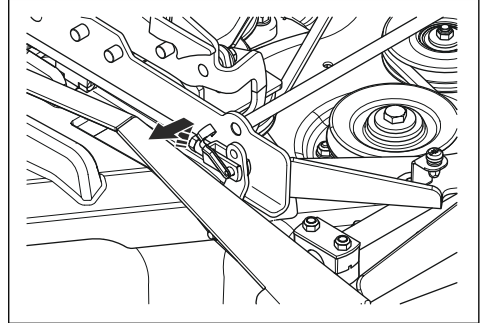
- Coloque la palanca de altura de corte en la posición de servicio.
- Mida la distancia entre el suelo y los bordes delantero y trasero del equipo de corte. Asegúrese de que el borde trasero está 4-6 mm (1/5") más alto que el delantero.



- Coloque la palanca de altura de corte en la posición de servicio.

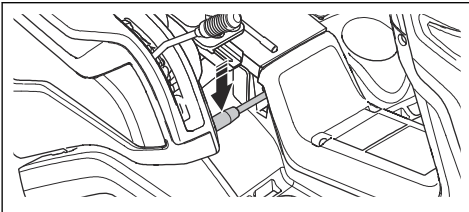


- Retire el pasador de unión del extremo delantero del anclaje de ajuste de altura. Mueva el anclaje de ajuste de altura hacia un lado.

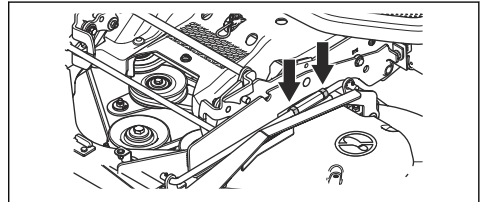


Ajuste del paralelismo del equipo de corte

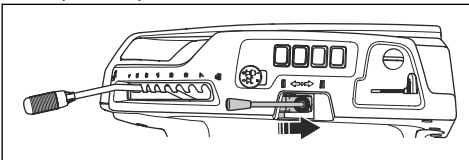
- Estacione el producto en un suelo duro y nivelado.
- Aplique el freno de estacionamiento.
- Mueva la palanca de transferencia de peso hacia abajo.



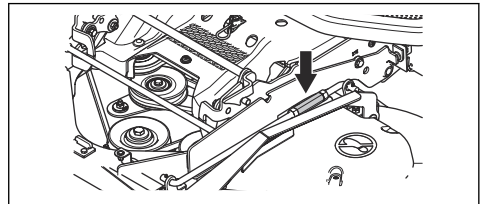
- Afloje las contratuercas del anclaje de elevación.



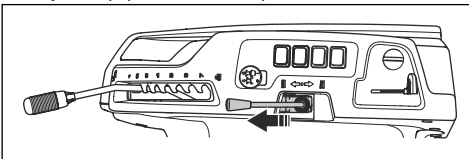
- Mueva la palanca de elevación hacia atrás y levante el equipo de corte a la posición de transporte para acoplar el soporte de elevación.



- Gire la tuerca de ajuste del anclaje de elevación para ajustar su longitud. Aumente la longitud para subir el borde trasero de la cubierta. Reduzca la longitud para bajar el borde trasero de la cubierta.

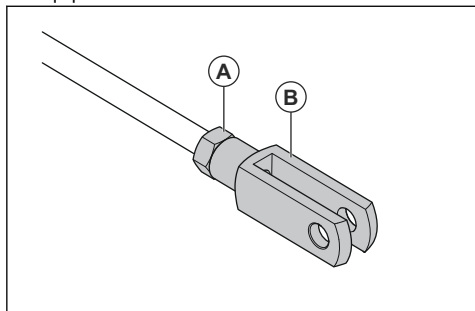


- Desplace la palanca de elevación hacia delante y baje el equipo de corte a la posición de corte.



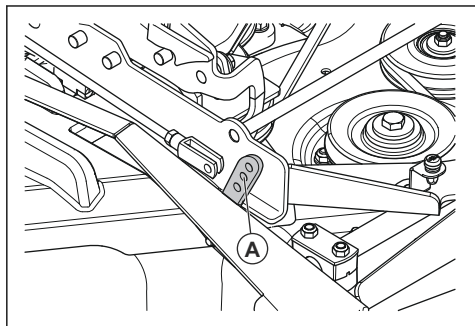
- Apriete las contratuercas del anclaje de elevación.

11. Afloje la tuerca de bloqueo (A) del pasador de unión del anclaje de ajuste de altura. Gire el pasador de unión (B) del anclaje de ajuste de altura para ajustar su longitud. Asegúrese de que el pasador de unión se alinea con el orificio correcto del bastidor de corte del equipo de corte.

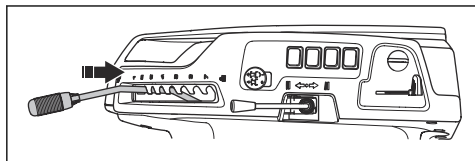


Nota: Cada uno de los 2 extremos del anclaje de ajuste de altura tiene un pasador de unión. Obtendrá el mismo resultado independientemente de cuál de los pasadores de unión ajuste.

12. Utilice el orificio central (A) del bastidor del equipo de corte.

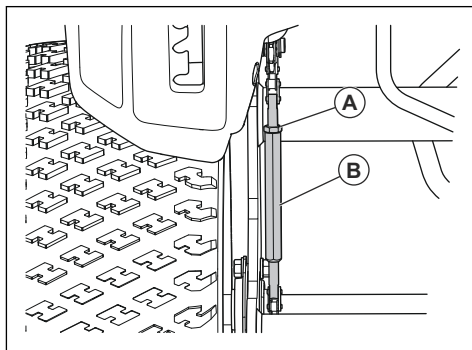


13. Afloje las contratuercas del anclaje de ajuste de altura.
14. Mueva la palanca de la altura de corte a la posición de altura 1.

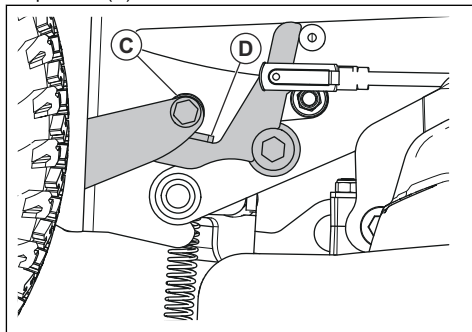


15. Extraiga la placa reposapiés derecha. Consulte la sección *Extracción e instalación de la placa reposapiés derecha* en la página 61.

16. Afloje la contratuerca (A) del tornillo de tensado de la cadena de altura de corte.



17. Gire el tornillo de ajuste (B) de la cadena de altura de corte hasta que la rueda del cojinete (C) toque la palanca (D).



18. Coloque la contratuerca en el tornillo de tensado.
19. Revise el paralelismo. Consulte la sección *Comprobación del paralelismo del equipo de corte* en la página 65.
20. Coloque la placa reposapiés derecha.

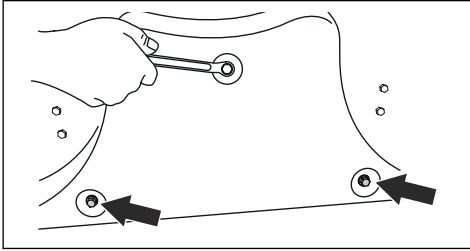
Extracción del tapón de BioClip

- Quite el tapón BioClip para cambiar un equipo de corte Combi de BioClip a descarga trasera de hierba.

Retirada y colocación del tapón BioClip en el equipo de corte Combi 103, Combi 112, Combi 122

1. Coloque el equipo de corte en la posición de servicio. Consulte la sección *Puesta del equipo de corte en posición de servicio* en la página 65.

2. Extraiga los 3 tornillos que sujetan el tapón BioClip y quite el tapón.



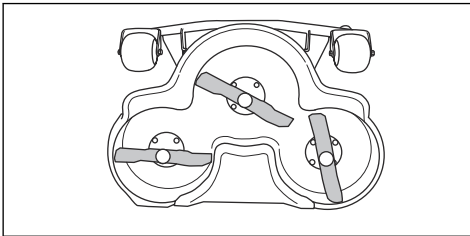
3. Coloque 3 tornillos M8x15 mm en los orificios del tapón BioClip para evitar dañar las roscas.
4. Coloque el equipo de corte en la posición de corte.
5. Coloque el tapón BioClip siguiendo la secuencia opuesta.

Examinar las cuchillas



PRECAUCIÓN: Unas cuchillas dañadas o mal equilibradas pueden causar daños al producto. Sustituya las cuchillas dañadas. Deje que un taller de servicio homologado le ayude a afilar y equilibrar las cuchillas romas.

1. Coloque el equipo de corte en la posición de servicio.
2. Observe las cuchillas para ver si están dañadas y, si es necesario, afílaslas.

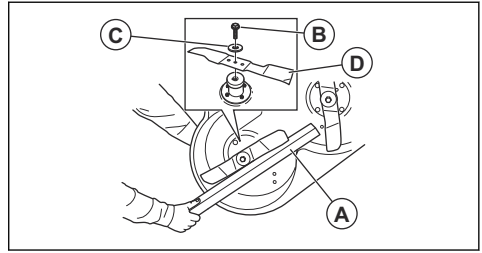


3. Apriete los pernos de las cuchillas con un par de apriete de 75-80 Nm.

Sustitución de las cuchillas

1. Coloque el equipo de corte en la posición de servicio.

2. Bloquee la cuchilla con un bloque de madera (A).



3. Afloje y extraiga los pernos de la cuchilla (B), las arandelas (C) y la cuchilla (D).
4. Monte la nueva cuchilla con los extremos en ángulo orientados al equipo de corte.

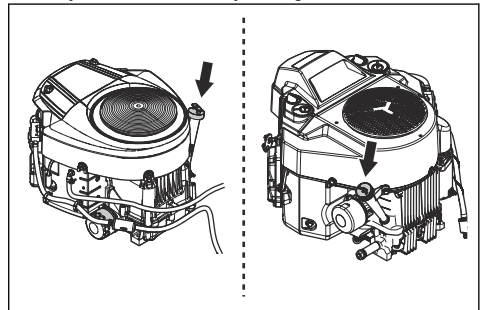


ADVERTENCIA: Usar un tipo de cuchillas incorrecto puede causar que el equipo de corte arroje objetos y causar así lesiones graves. Utilice únicamente las cuchillas que aparecen en *Datos técnicos en la página 79*.

5. Coloque la cuchilla, la arandela y el perno. Apriete el perno a un par de 75-80 Nm.

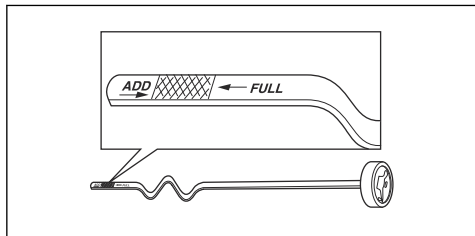
Comprobación del nivel de aceite del motor

1. Estacione el producto sobre un suelo nivelado y detenga el motor.
2. Abra la cubierta del motor.
3. Afloje la varilla de nivel y extráigala.



4. Limpie el aceite de la varilla de nivel de aceite.
5. Vuelva a colocar la varilla de nivel en su orificio y apriétela.
6. Afloje y saque la varilla de nivel y lea el nivel de aceite.

- El nivel de aceite debe estar entre las marcas que aparecen en la varilla de nivel. Si el nivel está cerca de la marca de añadir "ADD", llene de aceite hasta la marca de totalmente lleno "FULL".



- Rellene el aceite a través del orificio de la varilla de nivel. Rellene el aceite lentamente.

Nota: Consulte *Datos técnicos en la página 79* para ver los tipos de aceite de motor recomendados. No mezcle diferentes tipos de aceite.

- Apriete la varilla de nivel a fondo antes de arrancar el motor. Ponga en marcha la máquina con el motor al ralentí durante 30 segundos aproximadamente. Pare el motor. Espere 30 segundos y vuelva a comprobar el nivel de aceite.

Cambio del aceite de motor y el filtro de aceite, R 419TsX AWD

Si el motor está frío, arránquelo durante 1 o 2 minutos antes de drenar el aceite del motor. Esto calienta el aceite del motor y facilita el drenaje.

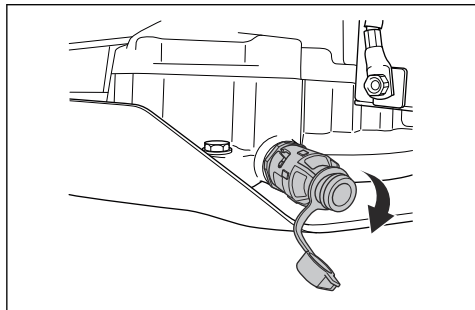


ADVERTENCIA: No deje el motor funcionando más de 1 o 2 minutos antes de drenar el aceite. El aceite del motor se calienta mucho y puede causar quemaduras graves. Deje que el motor se enfríe antes de vaciar el aceite del motor.

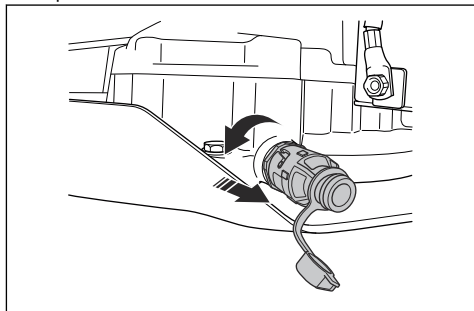


ADVERTENCIA: Si se derrama aceite del motor sobre el cuerpo, lávese con agua y jabón.

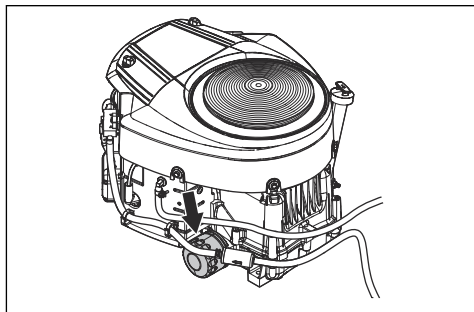
- Abra la cubierta de plástico del extremo del tapón de vaciado.



- Para reducir el riesgo de derrames de aceite, conecte una manguera al tapón de vaciado de aceite.
- Coloque un recipiente debajo del tapón de vaciado de aceite.
- Quite la varilla de nivel.
- Gire el tapón de vaciado hacia la izquierda y tire de él para abrirlo.



- Deje que el aceite se vierta en el recipiente.
- Presione el tapón de vaciado y gírelo hacia la derecha para cerrarlo.
- Desconecte la manguera de plástico y coloque la tapa en el tapón de vaciado de aceite.
- Gire el filtro de aceite hacia la izquierda para extraerlo.



- Lubrique ligeramente la junta de goma del nuevo filtro de aceite con aceite nuevo.
- Para montar el filtro de aceite, gírelo hacia la derecha hasta que la junta de goma esté en su posición y, a continuación, apriete media vuelta más.
- Llene con aceite nuevo según lo establecido en *Datos técnicos en la página 79*.
- Arranque el motor y déjelo a ralentí durante 3 minutos.
- Pare el motor y asegúrese de que el filtro de aceite no tenga fugas.
- Compruebe el nivel de aceite del motor. Consulte la sección *Comprobación del nivel de aceite del motor en la página 68*.

16. Llène el depósito con aceite hasta la marca de lleno FULL de la varilla de nivel.

Nota: Para desechar de forma segura el aceite de motor usado, consulte *Eliminación en la página 77*.

Cambio del aceite de motor y el filtro de aceite, R 420TsX AWD

Si el motor está frío, arránquelo durante 1 o 2 minutos antes de drenar el aceite del motor. Esto calienta el aceite del motor y facilita el drenaje.

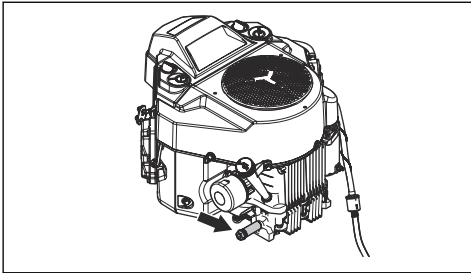


ADVERTENCIA: No deje el motor funcionando más de 1 o 2 minutos antes de drenar el aceite. El aceite del motor se calienta mucho y puede causar quemaduras graves. Deje que el motor se enfríe antes de vaciar el aceite del motor.

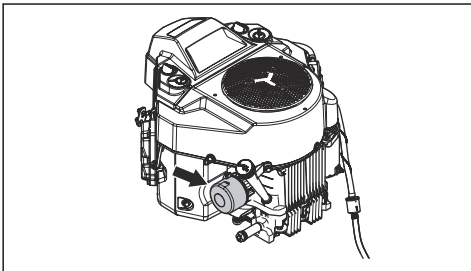


ADVERTENCIA: Si se derrama aceite del motor sobre el cuerpo, lávese con agua y jabón.

1. Coloque un recipiente debajo del tapón de vaciado de aceite.
2. Quite la tuerca del tapón de vaciado de aceite.



3. Quite la varilla de nivel.
4. Deje que el aceite se vierta en el recipiente.
5. Presione el tapón de vaciado y gírelo hacia la derecha para cerrarlo.
6. Coloque la tuerca en el tapón de vaciado de aceite.
7. Gire el filtro de aceite hacia la izquierda para extraerlo.



8. Lubrique ligeramente la junta de goma del nuevo filtro de aceite con aceite nuevo.
9. Para montar el filtro de aceite, gírelo hacia la derecha hasta que la junta de goma esté en su posición y, a continuación, apriete media vuelta más.
10. Llène con aceite nuevo según lo establecido en *Datos técnicos en la página 79*.
11. Arranque el motor y déjelo a ralentí durante 3 minutos.
12. Pare el motor y asegúrese de que el filtro de aceite no tenga fugas.
13. Compruebe el nivel de aceite del motor. Consulte la sección *Comprobación del nivel de aceite del motor en la página 68*.
14. Llène el depósito con aceite hasta la marca de lleno FULL de la varilla de nivel.

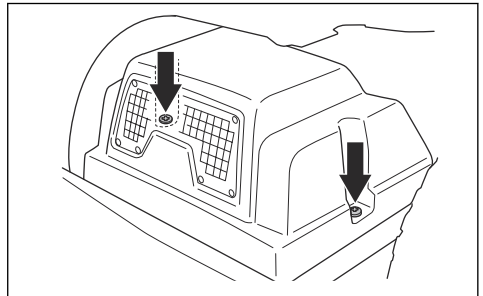
Nota: Para desechar de forma segura el aceite de motor usado, consulte *Eliminación en la página 77*.

Comprobación del nivel de aceite de la transmisión

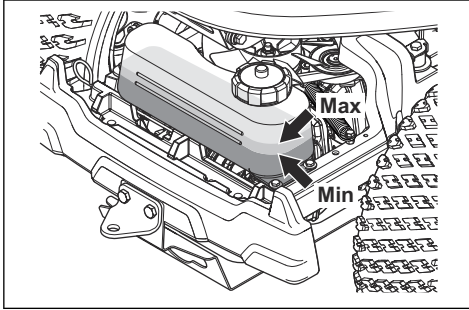


ADVERTENCIA: Compruebe el aceite de la transmisión cuando la transmisión se enfríe.

1. Retire los 2 tornillos y extraiga la tapa de la transmisión.



2. Asegúrese de que el nivel de aceite del depósito de aceite de la transmisión se encuentra entre las 2 líneas horizontales del depósito.



3. Si el nivel de aceite está por debajo de la línea inferior, reponga el aceite de motor, pero NO llene el depósito por encima de la línea superior. Consulte el aceite recomendado en la sección *Datos técnicos en la página 79*.

Lubricación, información general

- Retire la llave de contacto para evitar accidentes durante la lubricación.
- Utilice aceite de motor cuando lubrique con una lata de aceite.
- Si lubrica con grasa, utilice grasa para chasis o cojinetes de bolas que evite la corrosión. Limpie la grasa sobrante después de lubricar.
- Lubrique 2 veces a la semana si utiliza el producto a diario.
- No derrame lubricante en las correas de transmisión o las ranuras de las poleas de las correas. Si se derrama, limpie con alcohol. Si la fricción entre la correa de transmisión y la polea no es suficiente después de limpiar con alcohol, cambie la correa de transmisión.

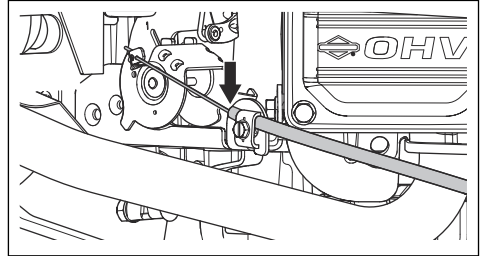


PRECAUCIÓN: No utilice gasolina ni otros productos derivados del petróleo para limpiar las correas de transmisión.

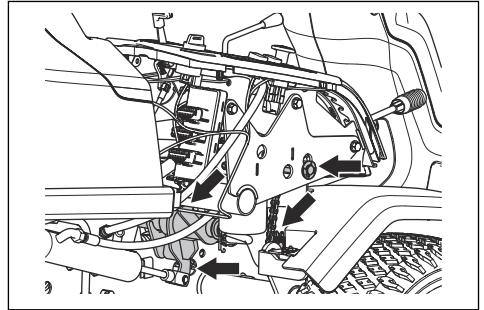
Lubricación del cable del acelerador, el cable del estrangulador y los cojinetes de la palanca

1. Retire la cubierta lateral derecha.
2. Abra la cubierta del motor.
3. Lubrique con aceite de motor los extremos libres de los cables y también los extremos junto al motor.

4. Mueva el control del acelerador, el control del estrangulador y los controles del equipo de corte a sus posiciones finales y lubrique los cables de nuevo.



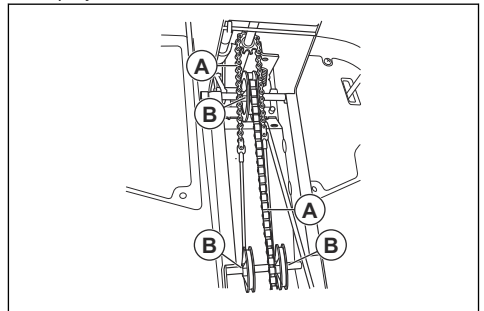
5. Lubrique las juntas, los enganches y los cojinetes de los controles del equipo de corte con aceite de motor.



6. Monte la cubierta lateral derecha.

Lubricación de las cadenas del túnel de chasis

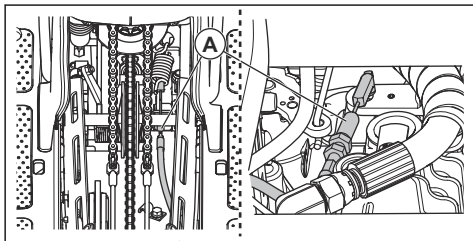
1. Retire los 4 tornillos y extraiga la cubierta del túnel del chasis.
2. Lubrique las cadenas (A) del túnel de chasis con aceite de motor o un lubricante para cadenas en spray.



3. Lubrique los ejes de las poleas (B) del cable de la dirección con grasa.

Lubricación del cable del freno de estacionamiento

1. Quite la cubierta del túnel de chasis y la tapa lateral. Consulte la sección *Extracción e instalación de la cubierta del túnel de chasis en la página 61*.
2. Empuje las carcasas de goma (A) en la dirección de los extremos del cable del freno de estacionamiento.

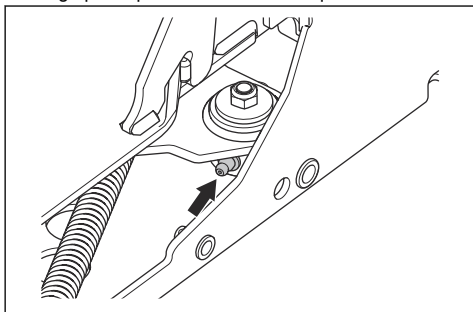


3. Lubrique los extremos del cable del freno de estacionamiento con aceite de motor.
4. Pise el pedal del freno de estacionamiento 3 veces y vuelva a lubricar el cable del freno de estacionamiento.
5. Monte las carcasas de goma.
6. Monte la cubierta lateral izquierda y la placa del bastidor.

Lubricación del tensor de la correa

El tensor de la correa se debe lubricar con frecuencia con grasa de disulfuro de molibdeno de buena calidad.

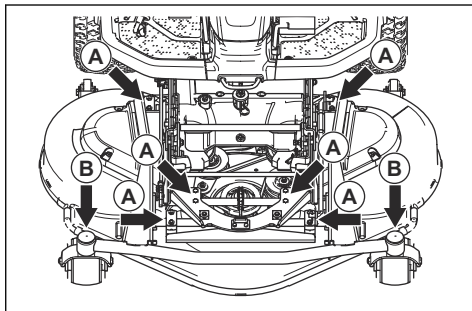
1. Retire la cubierta de la correa inferior. Consulte la sección *Para retirar la cubierta de la correa inferior en la página 62*.
2. Lubrique con una pistola de engrase a través de la boquilla del lado derecho, situada debajo de la polea inferior de la correa. Lubrique hasta que la grasa salga por la parte trasera de la boquilla.



3. Fije la cubierta de la correa y apriete los 5 tornillos.

Lubricación del equipo de corte

1. Quite la cubierta delantera.
2. Lubrique las 6 articulaciones (A) con aceite de motor.



3. Lubrique con una pistola de engrase a través de la boquilla de los cojinetes de las ruedas pivotantes del equipo de corte (B). Lubrique hasta que la grasa salga por la parte trasera de la boquilla.

Resolución de problemas




Programa de resolución de problemas

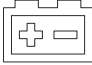





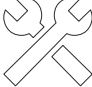

Si no puede encontrar una solución a sus problemas en este manual de usuario, hable con su taller de servicio de Husqvarna.



Problema	Causa
El motor de arranque no arranca el motor	El freno de estacionamiento no está accionado. Consulte la sección <i>Aplicar y soltar el freno de estacionamiento en la página 56.</i>
	El accionamiento de las cuchillas está activado. Consulte la sección <i>Botón de la TDF (toma de fuerza) en la página 43.</i>
	Un fusible está fundido. Consulte la sección <i>Sustitución de fusibles en la página 64.</i>
	El cable de encendido está defectuoso.
	La conexión entre el cable y la batería no es buena. Consulte la sección <i>Seguridad de la batería en la página 52.</i>
	La batería está demasiado débil. Consulte la sección <i>Carga de la batería en la página 64.</i>
	El motor de arranque está defectuoso.
El motor no arranca cuando el motor de arranque trata de arrancar el motor	No hay combustible en el depósito de combustible. Consulte la sección <i>Repos-taje de combustible en la página 55.</i>
	La bujía está defectuosa.
	El cable de encendido está defectuoso.
	Hay suciedad en el carburador o la tubería de combustible.
El motor no funciona correctamente	La bujía está defectuosa.
	El carburador no está bien ajustado.
	El filtro de aire está obstruido. Consulte la sección <i>Limpieza y cambio del filtro de aire en la página 63.</i>
	Hay suciedad en el carburador o la tubería de combustible.
Aparentemente el motor no recibe alimentación	El filtro de aire está obstruido. Consulte la sección <i>Limpieza y cambio del filtro de aire en la página 63.</i>
	La bujía está defectuosa.
	Hay suciedad en el carburador o la tubería de combustible.
	El cable del acelerador está ajustado incorrectamente.
La transmisión no tiene suficiente potencia.	La toma de aire frío de la transmisión o las aletas de refrigeración están bloqueadas.
	El ventilador de la transmisión está dañado.
	No hay aceite en la transmisión o el nivel de aceite es demasiado bajo. Consulte la sección <i>Comprobación del nivel de aceite de la transmisión en la página 70.</i>

Problema	Causa
La batería no se carga	La batería está defectuosa. Consulte la sección <i>Carga de la batería en la página 64</i> .
	La conexión de los conectores de los cables de los terminales de la batería está en mal estado. Consulte la sección <i>Carga de la batería en la página 64</i> .
Se producen vibraciones en el producto	Las cuchillas, la polea u otras piezas giratorias están sueltas. Consulte la sección <i>Mantenimiento en la página 68</i> .
	Una cuchilla o más no están equilibradas. Consulte la sección <i>Examinar las cuchillas en la página 68</i> .
	El motor está suelto.
El resultado del corte no es satisfactorio	Las cuchillas están romas. Consulte la sección <i>Sustitución de las cuchillas en la página 68</i> .
	El césped está largo o húmedo. Consulte la sección <i>Para obtener un buen resultado de corte en la página 58</i> .
	El equipo de corte está dañado y no queda paralelo al suelo.
	El equipo de corte presenta una obstrucción por hierba. Consulte la sección <i>Limpieza del producto en la página 59</i> .
	La presión de los neumáticos es distinta en el lado derecho e izquierdo. Consulte la sección <i>Presión de los neumáticos en la página 65</i> .
	El producto funciona a una velocidad de avance demasiado alta. Consulte la sección <i>Para obtener un buen resultado de corte en la página 58</i> .
	El régimen del motor es demasiado bajo. Consulte la sección <i>Para obtener un buen resultado de corte en la página 58</i> .
	La correa de transmisión se afloja de las poleas.

Pantalla - Resolución de problemas

Símbolo	Nombre	En la pantalla	Sonido	Causa
	Indicador de pendiente	El símbolo se muestra.	-	Está utilizando el producto en una pendiente >10°. Consulte la sección <i>Corte del césped en pendientes en la página 51</i> .
		El símbolo parpadea.	-	Está utilizando el producto en una pendiente >15°. Consulte la sección <i>Corte del césped en pendientes en la página 51</i> .
	Indicador de temperatura del aceite de la transmisión	El símbolo se muestra.	1 sonido largo.	La temperatura del aceite de la transmisión es demasiado alta.
		El símbolo parpadea rápidamente.	-	Acuda a su distribuidor de servicio Husqvarna.
	Sensor de presión de aceite	El símbolo se muestra.	1 sonido largo.	Presión de aceite baja. Consulte la sección <i>Comprobación del nivel de aceite del motor en la página 68</i> .

Símbolo	Nombre	En la pantalla	Sonido	Causa
	Indicador de carga de la batería	El símbolo se muestra.	1 sonido largo.	Tensión baja. Consulte la sección <i>Carga de la batería en la página 64.</i>
	Indicador del equipo de corte	El símbolo parpadea.	5 sonidos largos.	El equipo de corte no está instalado y el botón de la TDF está activado. Consulte la sección <i>Montaje del equipo de corte en la página 53.</i>
	Indicador del botón de la TDF	El símbolo se muestra.	-	Botón de la TDF activado. Consulte la sección <i>Condiciones de funcionamiento en la página 50.</i>
		El símbolo parpadea.		Procedimiento de arranque incorrecto. Consulte la sección <i>Condiciones de funcionamiento en la página 50.</i>
		El símbolo parpadea rápidamente.		Botón de la TDF defectuoso. Acuda a su distribuidor de servicio Husqvarna.
	Indicador de freno de estacionamiento	El símbolo se muestra.	-	El freno de estacionamiento está activado. Consulte la sección <i>Aplicar y soltar el freno de estacionamiento en la página 56.</i>
		El símbolo parpadea.		Procedimiento de arranque incorrecto. Consulte la sección <i>Condiciones de funcionamiento en la página 50.</i>
		El símbolo parpadea rápidamente.		Freno de estacionamiento defectuoso. Acuda a su distribuidor de servicio Husqvarna.
	Indicador del OPC	El símbolo parpadea.	5 sonidos largos.	Microinterruptor del asiento desactivado al intentar arrancar el motor. Consulte la sección <i>Condiciones de funcionamiento en la página 50.</i>
		El símbolo parpadea rápidamente.	-	Microinterruptor del asiento defectuoso. Acuda a su distribuidor de servicio Husqvarna.
	Transferencia de peso	El símbolo se muestra.	-	La palanca de transferencia de peso está desacoplada.
	Indicador de mantenimiento	El símbolo se muestra.	5 sonidos largos.	Es necesario realizar el mantenimiento. Acuda a su distribuidor de servicio Husqvarna.
	Calibrador de combustible	El símbolo se muestra.	1 sonidos corto.	Bajo nivel de combustible. Consulte la sección <i>Repostaje de combustible en la página 55.</i>

Símbolo	Nombre	En la pantalla	Sonido	Causa
	Función Bluetooth®	El símbolo parpadea.	-	El producto está bloqueado. Desbloquee el producto con la aplicación Husqvarna Connect.
	Bloqueo digital	El símbolo se muestra.	-	El producto está bloqueado. Desbloquee el producto con la aplicación Husqvarna Connect.

Nota: Los símbolos y sus posiciones en la pantalla pueden ser distintos entre los diferentes modelos.

Transporte, almacenamiento y eliminación

Transporte

- El producto es pesado y puede causar lesiones por aplastamiento. Tenga cuidado al cargarlo o descargarlo de un vehículo o remolque.
- Utilice solo un remolque homologado para el transporte del producto.
- Asegúrese de que conoce las normas de tráfico locales antes de transportar el producto en un remolque o circular por carretera.

Conexión segura del producto en un remolque para su transporte

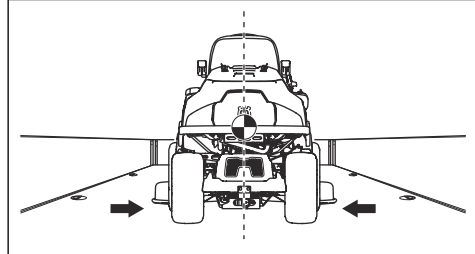
Antes de sujetar el producto, debe leer y entender el capítulo sobre seguridad. Consulte la sección *Seguridad en la página 48*.



ADVERTENCIA: El freno de estacionamiento no es suficiente para bloquear el producto durante el transporte. Sujete firmemente el producto en el área de carga.

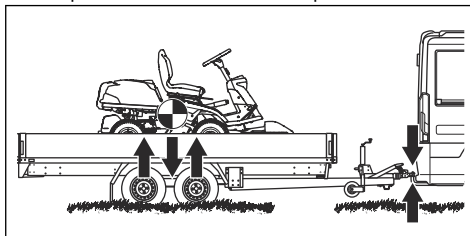
Equipo: 2 correas homologadas y 4 bloques con forma de cuña para las ruedas.

1. Estacione el producto en el centro del área de carga.

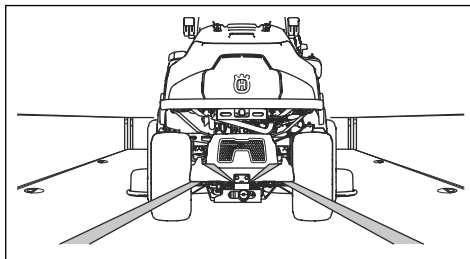


ADVERTENCIA: Para vehículos de transporte con cubierta, deje que el producto se enfríe antes de colocarlo debajo de la cubierta.

2. Asegúrese de que el centro de gravedad del producto está por encima del eje de las ruedas del vehículo de transporte. Si se utiliza un remolque para el transporte, asegúrese de que la fuerza que se aplica sobre la barra de remolque es correcta.

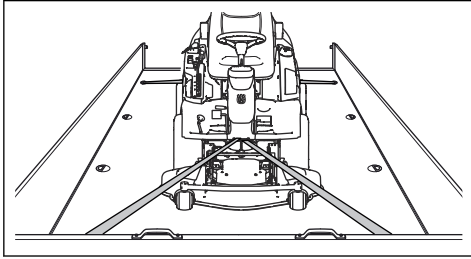


3. Aplique el freno de estacionamiento.
4. Bloquee el producto con la aplicación Husqvarna Connect.
5. Baje el equipo de corte a la posición de corte.
6. Retire todos los objetos sueltos.
7. Monte la primera correa a través del bastidor de transmisión trasero.

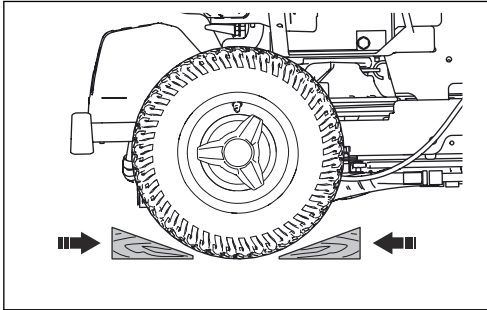


8. Apriete la correa hacia atrás.

9. Coloque la segunda correa alrededor del ojal de transporte.



10. Sujete la correa al área de carga.
11. Apriete la correa en la dirección de la parte delantera de la zona de carga.
12. Coloque los bloques de cuña delante y detrás de las ruedas traseras.



Remolque del producto

El producto tiene una transmisión hidrostática. Para evitar daños en la transmisión, remolque el producto solo distancias cortas y a baja velocidad.

Desacople la transmisión antes de remolcar el producto. Consulte la sección *Engranaje y desengranaje del sistema de transmisión en la página 56*.

Almacenamiento

Prepare el producto para guardarlo al final de la temporada, y si va almacenarlo durante más de 30 días. Si deja combustible en el depósito durante 30 días o más, las partículas pegajosas pueden atascar el carburador. Esto tendrá un efecto negativo en el funcionamiento del motor.

Para evitar la aparición de partículas pegajosas durante el almacenamiento, agregue un estabilizador. Si utiliza gasolina a base de alquilatos, no es necesario usar un estabilizador. Si utiliza gasolina estándar, no cambie a gasolina con alquilato. Esto puede provocar que las piezas de goma sensibles se vuelvan duras. Añada un estabilizador al depósito o recipiente donde se almacena el combustible. Utilice siempre las proporciones de mezcla especificadas por el fabricante. Haga funcionar el motor durante un mínimo de 10

minutos después de agregar el estabilizador hasta que este llegue al carburador.



ADVERTENCIA: No guarde el producto con combustible en el depósito en interiores o en lugares con una mala ventilación. Existe peligro de incendio si los vapores del combustible entran en contacto con llamas desnudas, chispas o luces piloto, por ejemplo, de calderas de calefacción, depósitos de agua caliente y secadoras de ropa.



ADVERTENCIA: Retire la hierba, las hojas y otros materiales inflamables del producto para disminuir el riesgo de incendio. Deje que el producto se enfríe antes de volver a colocarlo en su lugar de almacenamiento.

- Limpie el producto; consulte *Limpieza del producto en la página 59*. Repare los daños en la pintura para evitar la corrosión.
- Examine el producto por si hubiera piezas dañadas o desgastadas, y apriete las tuercas y tornillos flojos.
- Desmonte la batería. Límpiela, cárguela y manténgala en un lugar fresco durante el almacenamiento.
- Cambie el aceite del motor y deseche el aceite usado.
- Vacíe el depósito de combustible. Arranque el motor y déjelo funcionar hasta que no haya restos de combustible en el carburador.

Nota: No vacíe el depósito de combustible ni el carburador si se ha añadido un estabilizador.

- Quite los tapones e introduzca aproximadamente una cucharada de aceite de motor en cada cilindro. Gire manualmente el eje del motor para distribuir el aceite y vuelva a colocar los tapones.
- Lubrique todas las boquillas de engrase, las juntas y los ejes.
- Guarde el producto en una zona limpia y seca, y cúbralo para mayor protección.
- Su distribuidor puede proporcionarle una cubierta de protección para el almacenamiento o transporte de su producto.

Eliminación

- Las sustancias químicas pueden ser peligrosas y no deben verterse al suelo. Deseche siempre los productos químicos en su centro de servicio o en una ubicación adecuada para su eliminación.
- Cuando el producto se desgaste, envíelo al distribuidor o a centro de reciclaje adecuado.
- El aceite, los filtros de aceite, el combustible y la batería pueden ser perjudiciales para el medio ambiente. Respete los requisitos de reciclaje locales y las normas aplicables.

- No deseche la batería como residuo doméstico.
- Envíe la batería a un taller de servicio Husqvarna o deséchela en una ubicación de residuos para las baterías agotadas.

Datos técnicos

Datos técnicos

	R 419TsX AWD	R 420TsX AWD
Dimensiones		
Longitud sin equipo de corte, mm	2116	2116
Anchura sin equipo de corte, mm	964	964
Altura, mm	1178	1178
Peso sin equipo de corte, con depósitos vacíos, kg	304	316
Distancia entre ejes, mm	958	958
Anchura de vía delantera, mm,	760	760
Anchura de vía trasera, mm,	723	723
Dimensiones de los neumáticos	200/65 - 8	200/65 - 8
Presión de aire, traseros y delanteros, kPa/bar/PSI	80/0,8/12,0	80/0,8/12,0
Máx. pendiente, grados °	10	10
Peso máx. del equipo de remolque, kg	150	150
Motor		
Marca/modelo	Briggs & Stratton/M40 Endurance 7200	Kawasaki FS651V
Potencia nominal del motor, kW ⁸	11,8	14,0
Cilindrada, cm ³	656	726
Régimen máximo del motor, rpm	2900 ± 100	3000 ± 100
Octanaje mín. sin plomo del combustible, máx. 10 % de etanol	91	91
Volumen del depósito, litros	17	17
Aceite	Grado SF, SG, SH o SJ SAE40, SAE30, SAE10W-30, SAE10W-40 o SAE5W-20	Grado SF, SG, SH o SJ SAE40, SAE30, SAE10W-30, SAE10W-40 o SAE5W-20
Volumen de aceite con filtro incluido, litros	1,9	2.1
Volumen de aceite sin filtro, litros	1,8	1,8
Motor de arranque	Arranque eléctrico de 12 V	Arranque eléctrico de 12 V
Transmisión		
Marca	Tuff Torq	Tuff Torq
Modelo	K664M/KTM10T	K664M/KTM10T

⁸ La potencia de salida del motor indicada es la potencia neta media (a la velocidad especificada) de un motor de producción típico para el modelo de motor conforme a la norma SAE J1349/ISO1585. Los motores fabricados en serie podrían presentar valores diferentes. La potencia de salida real del motor instalado en el producto final dependerá de la velocidad de funcionamiento, las condiciones medioambientales y otros valores.

	R 419TsX AWD	R 420TsX AWD
Aceite, clase SF-CC	SAE 10W/50 Sintético	SAE 10W/50 Sintético
Sistema eléctrico		
Tipo	12 V, negativo a tierra	12 V, negativo a tierra
Batería	12 V, 24 Ah	12 V, 24 Ah
Bujía	Champion XC92YC	NGK BPR4ES
Separación entre electrodos, mm/pulgada	0,75/0,030	0,75/0,030
Equipo de corte		
Tipo	Combi 103	Combi 103
	Combi 112	Combi 112
		Combi 122

Emissiones de ruido ⁹	R 419TsX AWD	R 420TsX AWD
Nivel de potencia acústica medida, dB(A)		
Combi 103	99	99
Combi 112	98	97
Combi 122	-	101
Nivel de potencia acústica garantizada, dB(A)		
Combi 103	100	100
Combi 112	99	98
Combi 122	-	102

Niveles acústicos ¹⁰	R 419TsX AWD	R 420TsX AWD
Nivel de presión sonora en el oído del operario, dB(A)		
Combi 103	84	84
Combi 112	83	82
Combi 122	-	87

⁹ Emisiones sonoras en el entorno medidas como potencia acústica (L_{WA}) según la directiva CE 2000/14/CE.

¹⁰ Nivel de presión sonora conforme a la norma EN ISO 5395. Los datos referidos del nivel de presión sonora tienen una dispersión estadística habitual (desviación típica) de 1,2 dB (A).

	R 419TsX AWD	R 420TsX AWD
Niveles de vibraciones¹¹		
Nivel de vibración en el volante, m/s ²	2,35	2,67
Nivel de vibración en el asiento, m/s ²	0,17	0,15

Equipo de corte	Combi 103	Combi 112	Combi 122
Anchura de corte, mm	1030	1120	1220
Altura de corte, mm	25-75	25-75	25-75
Peso, kg	63	66	73
Longitud de las cuchillas, mm	388	420	454
Cuchilla			
Referencia	504 19 04-10	544 10 27-10	535 42 94-10



ADVERTENCIA: Utilizar un equipo de corte que no esté homologado para el producto puede causar proyección de objetos a alta velocidad, lo que podría causar lesiones

graves. Utilice exclusivamente los tipos de equipo de corte especificados en este manual.

Transmisión de datos por radiofrecuencia

	R 419TsX AWD	R 420TsX AWD
Intervalo de frecuencias, MHz	2402-2480	2402-2480
Salida de potencia ¹² , dBm	-2.4	-2.4

Servicio técnico

Servicio técnico

Haga una comprobación anual en un centro de servicio autorizado para asegurarse de que el producto funcione de manera segura y sin problemas durante la temporada alta. El mejor momento para realizar el mantenimiento o la revisión de este producto es la temporada baja.

Al enviar un pedido de piezas de repuesto, proporcione información sobre el año de compra, el modelo, el tipo y el n.º de serie.

Utilice siempre piezas de repuesto originales.

¹¹ Nivel de vibración conforme a EN ISO 5395. Los datos referidos del nivel de vibración poseen una dispersión estadística habitual (desviación típica) de 0,2 m/s² (volante) y 0,8 m/s² (asiento).

¹² Medido en 2440 MHz.

Garantía de la transmisión

La garantía de la transmisión solo es aplicable si se realizan comprobaciones de la velocidad de las ruedas delanteras y traseras según lo establecido en el programa de mantenimiento. Para evitar daños en el sistema de transmisión, deje que un taller de servicio autorizado lo ajuste correctamente.

Declaración CE de conformidad

Declaración de conformidad CE

Husqvarna AB, SE-561 82 Huskvarna (Suecia), tel.: +46-36-146500, garantiza que el **tractor cortacésped R 419TsX AWDHusqvarna y R 420TsX AWD**, a partir de los números de serie del año 2019 en adelante (el año se indica claramente en la placa de características, seguido del n.º de serie), cumplen con las siguientes disposiciones de la DIRECTIVA DEL CONSEJO:

- de 17 de mayo de 2006 "relativa a máquinas", **2006/42/CE**.
- del 8 de mayo de 2000 sobre "emisiones sonoras en el entorno", **2000/14/CE**.
- del 8 junio de 2011 sobre la "restricción de utilización de determinadas sustancias peligrosas", **2011/65/EU**.
- del 16 de abril de 2014 sobre "equipos de radio", **2014/53/UE**.

Para obtener más información acerca de las emisiones sonoras y la anchura de segado, consulte los datos técnicos.

Se han aplicado las siguientes normas armonizadas:

EN ISO 12100, EN ISO 5395-1, EN ISO 5395-3, EN ISO 14982, EN 300 328, EN 50581

Si no se indica lo contrario, las normas anteriormente indicadas constituyen las últimas versiones publicadas.

Organismo notificado: **0404, RISE SMP Svensk Maskinprovning AB, Box 7035, SE-750 07 Uppsala** ha

elaborado informes sobre la evaluación de la conformidad con el Anexo VI de la DIRECTIVA DEL CONSEJO del 8 de mayo de 2000 "referente a las emisiones sonoras en el entorno" 2000/14/CE.

Los certificados tienen los números: 01/901/317, 01/901/318, 01/901/319

Huskvarna, 2019-03-01



Claes Losdal, Director de desarrollo/productos para el jardín (representante autorizado de Husqvarna AB y responsable de la documentación técnica).

Marcas comerciales registradas

Los logotipos y las denominaciones *Bluetooth®* son marcas comerciales registradas propiedad de *Bluetooth SIG, inc.* y su uso por parte de Husqvarna está sujeto a una licencia.

ÍNDICE

Introdução.....	84	Transporte, armazenamento e eliminação.....	119
Segurança.....	91	Especificações técnicas.....	121
Montagem.....	96	Assistência.....	123
Funcionamento.....	98	Garantia.....	124
Manutenção.....	101	Declaração CE de conformidade.....	125
Resolução de problemas.....	116	Marcas comerciais registadas.....	125

Introdução

Inspeção pré-entrega e números de produto

assinada do documento de inspeção pré-entrega do seu concessionário.

Nota: Foi realizada uma inspeção pré-entrega deste produto. Certifique-se de que recebe uma cópia

Informação de contacto da oficina autorizada:	
Este manual do utilizador pertence ao produto com o número de produto/número de série:	
/	
Motor:	
Transmissão:	

Descrição do produto

O R 419TsX AWD e o R 420TsX AWD são tratores corta-relva. Os pedais de marcha em frente e de marcha-atrás permitem que o utilizador ajuste a velocidade facilmente. Os modelos R 419TsX AWD e R 420TsX AWD incluem tração integral (AWD) e um contador de horas apresenta o número de horas durante as quais o operador utilizou o produto. Os produtos dispõem de faróis, uma área de armazenamento e uma barra de reboque. Os produtos são utilizados com plataformas de corte Combi com BioClip.

Finalidade

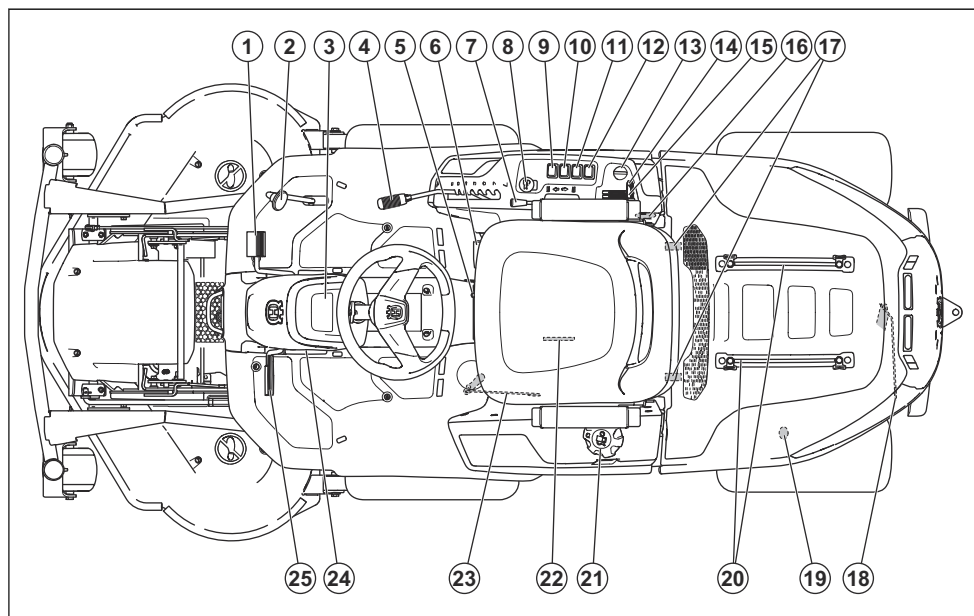
O produto foi concebido para cortar relva em áreas abertas e planas em jardins e zonas residenciais. Fixe

um acessório opcional para utilizar o produto para outras tarefas. Fale com o seu revendedor Husqvarna para obter mais informações sobre os acessórios disponíveis.

Faça um seguro para o seu produto

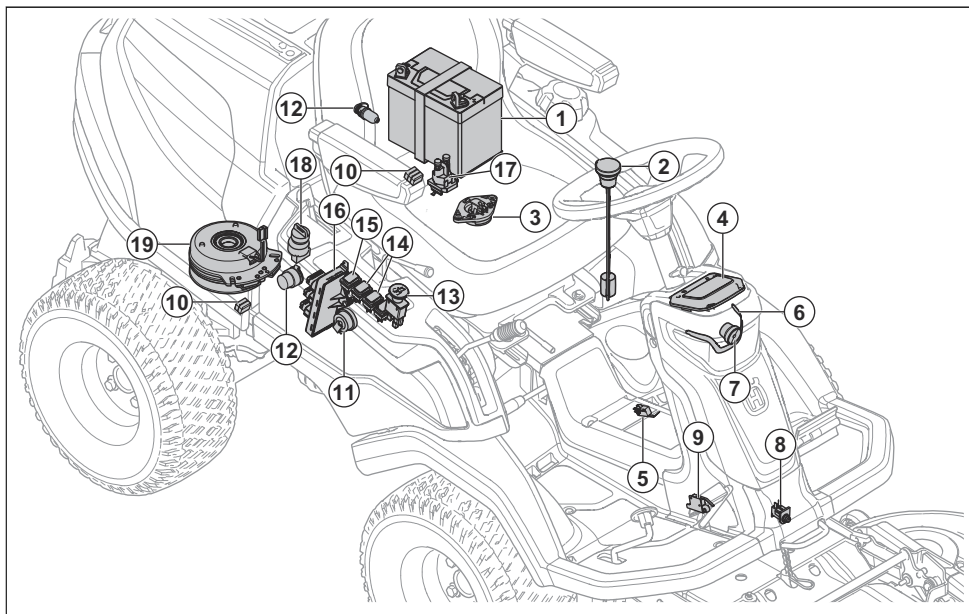
Certifique-se de que o seu seguro cobre o seu novo produto. Fale com a sua companhia de seguros caso não tenha a certeza. Recomendamos um seguro totalmente abrangente que inclua proteção contra terceiros, incêndios, danos, roubo e responsabilidade civil.

Vista geral do produto



1. Pedal de marcha em frente
2. Pedal de marcha-atrás
3. Visor
4. Alavanca da altura de corte
5. Alavanca de ajuste do banco
6. Alavanca de transferência de peso
7. Alavanca de elevação da bancada de corte
8. Botão da TDF
9. Interruptor de funções para a tomada de alimentação traseira
10. Interruptor para a tomada de alimentação traseira
11. Interruptor para a tomada de alimentação no painel de controlo do lado direito
12. Interruptor para os faróis
13. Chave da ignição
14. Alavanca do acelerador
15. Alavanca do estrangulador, R 420TsX AWD
16. Tomada de alimentação de 12 V
17. Grampos da cobertura do motor
18. Alavanca para engatar e desengatar a transmissão no eixo traseiro
19. Tomada de alimentação traseira de 12 V
20. Calhas para a área de armazenamento
21. Tapa do depósito de combustível
22. Etiqueta de tipo com códigos para leitura
23. Alavanca para engatar e desengatar a transmissão no eixo dianteiro
24. Botão de bloqueio do travão de estacionamento
25. Pedal do travão de serviço e travão de estacionamento

Vista geral do sistema elétrico



1. Bateria
2. Sensor de combustível
3. Controlo de presença do operador (OPC)
4. Visor
5. Sensor de transferência de peso
6. Luz de trabalho
7. Farol de máximos
8. Sensor da plataforma de corte
9. Microinterruptor, travão de estacionamento
10. Fusíveis
11. Campainha
12. Tomada de alimentação
13. Botão da TDF
14. Interruptor para as tomadas de alimentação
15. Interruptor para os faróis
16. Módulo de controlo do corta-relva
17. Solenoide de arranque
18. Chave da ignição
19. Embraiagem da TDF

Módulo de controlo do corta-relvas

O produto tem um módulo de controlo do corta-relvas que fornece informações sobre o produto ao operador. As informações são apresentadas no visor do painel de instrumentos. Consulte *Visor na página 89*.

O módulo de controlo do corta-relvas permite que o revendedor de assistência estabeleça ligação ao produto aquando da assistência.

Husqvarna Connect

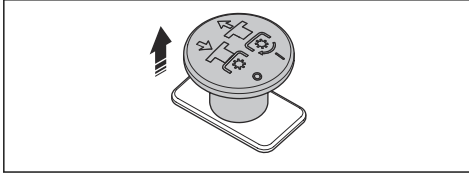
O produto dispõe de tecnologia sem fios *Bluetooth®* e pode estabelecer ligação a dispositivos móveis com a aplicação Husqvarna Connect instalada. A Husqvarna Connect é uma aplicação gratuita para o seu dispositivo móvel. A aplicação Husqvarna Connect disponibiliza funções alargadas para o seu produto Husqvarna:

- Função de bloqueio e desbloqueio para evitar o funcionamento não aprovado do produto.
- Informações alargadas sobre o produto.
- Informações sobre, e ajuda relacionada com peças e manutenção do produto.

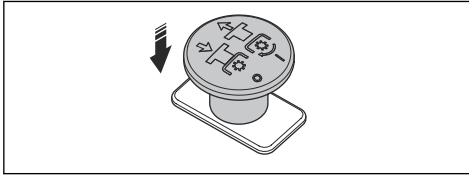
Botão da TDF (tomada de força)

O botão da TDF ativa e desativa a transmissão das lâminas na plataforma de corte. É necessário reunir as condições de arranque corretas para ativar a transmissão das lâminas. Consulte *Condições de funcionamento na página 93*.

- Puxe o botão da TDF para ativar a transmissão das lâminas.



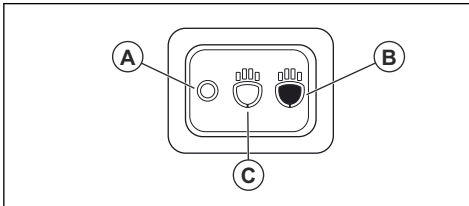
- Prima o botão da TDF para desativar a transmissão das lâminas.



Faróis

O farol dispõe de luz de trabalho e farol de máximos.

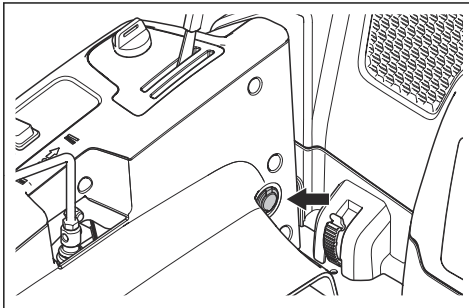
Prima o interruptor para ligar (B) ou desligar (A) as luzes de trabalho. Prima o interruptor para ligar (C) ou desligar (A) a luz de trabalho e o farol de máximos.



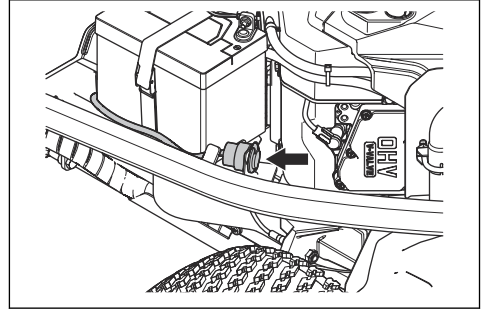
A luz de trabalho permanece acesa durante 3 minutos após o produto parar. Quando os faróis estão ligados, o visor apresenta o símbolo de farol. Consulte *Visor* na página 89.

Tomada de alimentação

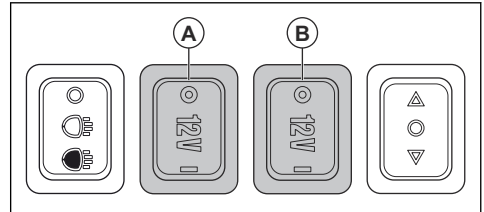
O produto possui 2 tomadas de alimentação. A tomada de alimentação no painel de controle do lado direito, junto ao banco, dispõe de uma tensão de 12 V.



A tomada de alimentação na caixa do motor tem uma tensão de 12 V.

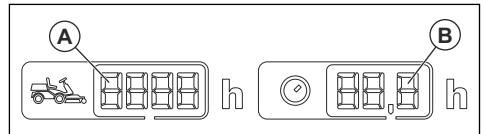


- Pressione o interruptor (A) para ligar ou desligar a tomada de alimentação na caixa do motor.
- Pressione o interruptor (B) para ligar ou desligar a tomada de alimentação no painel de controle do lado direito.



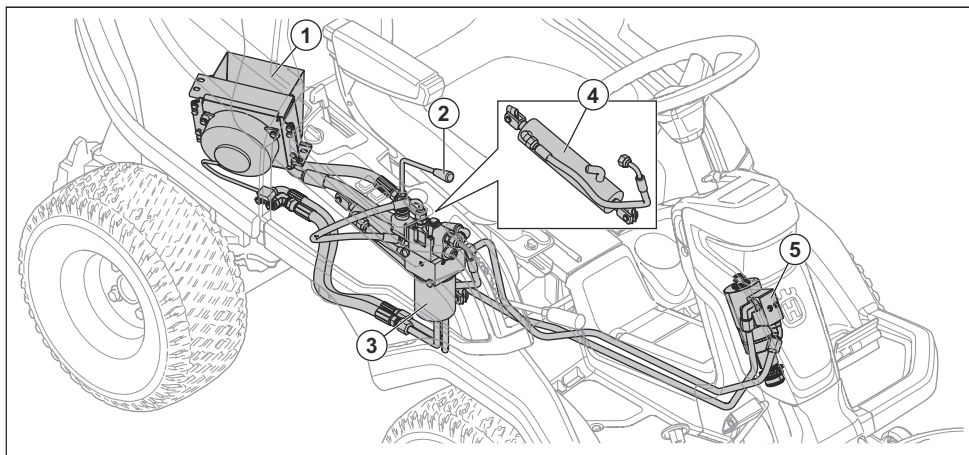
Contador de horas

O produto tem 2 contadores de horas no visor. Os contadores de horas indicam quantas horas de funcionamento o motor tem no total (A) e durante o período de funcionamento (B). Um novo período de funcionamento começa se o motor estiver desligado durante, no mínimo, 6 horas.



O tempo passado com a ignição ligada mas com o motor desligado não é registado. O último dígito indica décimos de hora (6 minutos).

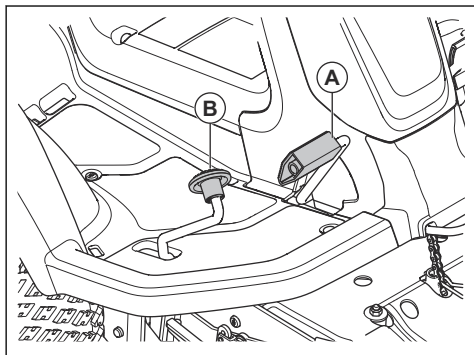
Vista geral do sistema hidráulico



1. Refrigerador de óleo hidráulico
2. Alavanca de elevação
3. Filtro de óleo
4. Cilindro
5. Unidade da direção central

Pedais de marcha em frente e marcha-atrás

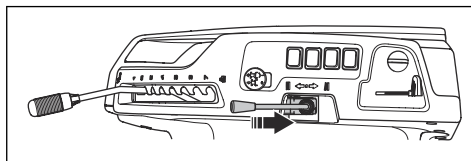
A velocidade é gradualmente ajustada com os 2 pedais. O pedal esquerdo (A) é utilizado para a marcha em frente e o pedal direito (B) é utilizado para a marcha-atrás. O produto trava quando liberta os pedais.



Alavanca de elevação para elevação hidráulica da plataforma de corte

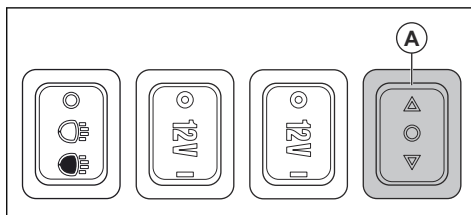
A alavanca de elevação controla a elevação hidráulica. Utilize a elevação hidráulica para elevar a plataforma de corte para a posição de transporte e para baixar a plataforma de corte para a posição de corte. A elevação

hidráulica utiliza pressão hidráulica e o motor tem de ser ligado para que a elevação funcione.



Interruptor de funções para a tomada de alimentação traseira

O interruptor de funções (A) é utilizado para operar alguns dos acessórios aprovados ligados à tomada de alimentação traseira. O interruptor de funções tem diferentes funções em diferentes tipos de acessórios. Consulte o manual do utilizador do acessório.

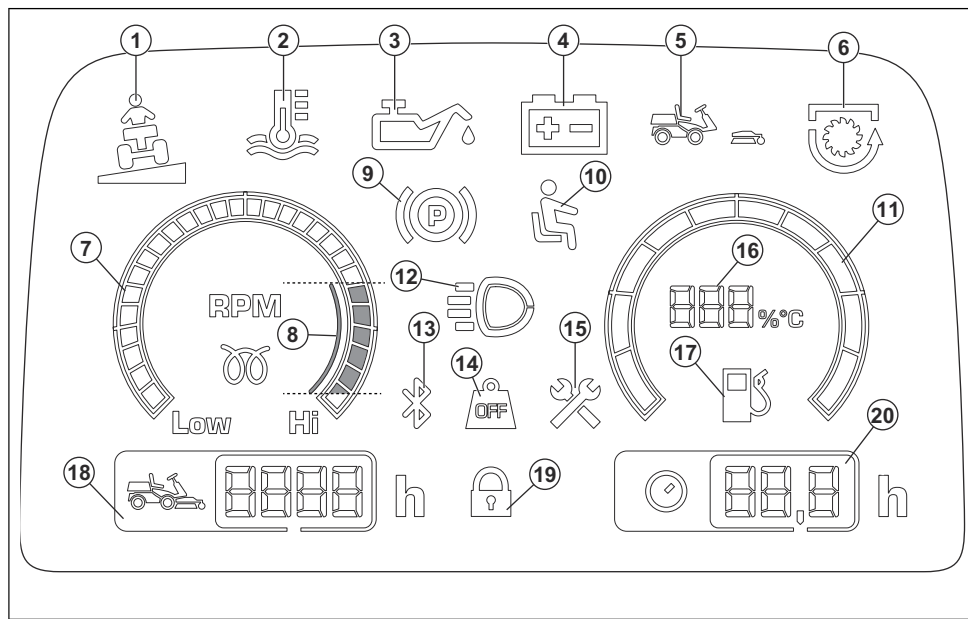


Bancada de corte

As plataformas de corte para este produto são plataformas de corte combinadas com BioClip. O BioClip corta a relva e torna-a em fertilizante. As plataformas de corte combinadas também podem ser utilizadas sem o BioClip. Sem o BioClip, a relva é projetada para a parte traseira.

Visor

O visor no painel de instrumentos mostra informações do estado do produto.



1. Indicador de declive
2. Indicador de temperatura hidráulica
3. Indicador da pressão do óleo
4. Indicador de nível da bateria
5. Indicador de presença de plataforma de corte
6. Indicador da PTO
7. Conta-rotações
8. RPM recomendadas do motor quando utiliza o produto.
9. Indicador do travão de estacionamento
10. Controlo de presença do operador (OPC)
11. Indicador de nível de combustível
12. Indicador de luz de trabalho ou faróis de máximos
13. Bluetooth®
14. Transferência de peso desativada
15. Indicador de assistência
16. Indicador de nível de combustível medido em incrementos de 10%
17. Indicador de nível de combustível baixo
18. Tempo total de funcionamento
19. Bloqueio digital
20. Tempo de funcionamento da operação

Nota: O aspeto do visor pode variar entre modelos diferentes.

Símbolos no produto



AVISO: A utilização indevida ou incorreta poderá provocar ferimentos graves ou até mesmo a morte do utilizador ou de terceiros.



Leia o manual do utilizador com atenção e certifique-se de que compreende as instruções antes de utilizar o produto.



Lâminas rotativas. Mantenha as partes do seu corpo afastadas.



Aviso: peças rotativas. Mantenha as partes do seu corpo afastadas.



Tenha cuidado com objetos projetados e ricochetes.



Nunca utilize o produto junto a animais ou pessoas, em especial crianças.



Olhe para trás antes e durante as deslocações em marcha-atrás.



Nunca corte relva ao longo de um declive. Não corte relva em terrenos com um declive superior a 10°. Consulte *Cortar relva em declives na página 94*.



Nunca transporte passageiros no produto ou equipamento.



Marcha em frente.



Neutro.



Marcha-atrás.



Travão de estacionamento.



Este produto está em conformidade com as diretivas aplicáveis da CE.



Emissões de ruído para o meio ambiente de acordo com a directiva da Comunidade Europeia. As emissões do produto são indicadas no capítulo de Especificações técnicas e na etiqueta.



Utilize sempre protetores acústicos aprovados.



Transferência de peso desativada.



Transferência de peso ativada.



Desligue o motor.



Ligue o motor.



Velocidade do motor – rápida.



Velocidade do motor – lenta.



Combustível.



Máx. 10% de etanol.



Altura de corte.



A posição de manutenção da alavanca da altura de corte.



As lâminas estão ativadas.



As lâminas não estão ativadas.



Posição de transporte da plataforma de corte.



Posição de funcionamento da plataforma de corte.



Ativar e desativar o sistema de acionamento.



Nível do óleo.

Nota: Os restantes símbolos/autocolantes existentes no produto dizem respeito a requisitos para homologação em algumas áreas comerciais.

UE V



ATENÇÃO: A adulteração do motor anula a aprovação deste produto pela UE.

Responsabilidade pelo produto

Como referido nas leis de responsabilidade pelo produto, não somos responsáveis por danos causados pelo nosso produto se:

- o produto tiver sido incorretamente reparado.
- o produto tiver sido reparado com peças que não sejam do fabricante ou que não sejam aprovadas pelo fabricante.

- o produto tiver um acessório que não seja do fabricante ou que não seja aprovado pelo fabricante.
- o produto não tiver sido reparado por um centro de assistência autorizado ou por uma autoridade aprovada.

Segurança

Definições de segurança

Os avisos, as precauções e as notas são utilizados para indicar partes especialmente importantes do manual.



ATENÇÃO: Utilizado no caso de existir risco de ferimento ou morte para o utilizador ou transeuntes, se não forem respeitadas as instruções do manual.



CAUIDADO: Utilizado se existir risco de danos para o produto, para outros materiais ou para a área adjacente, se não forem respeitadas as instruções do manual.

Nota: Utilizado para disponibilizar informações adicionais necessárias numa determinada situação.

Instruções de segurança gerais



ATENÇÃO: Este produto pode amputar mãos e pés, e projetar objetos. Se não respeitar as instruções de segurança, tal pode resultar em ferimentos graves ou morte.



ATENÇÃO: Não continue a utilizar o produto com um equipamento de corte danificado. O equipamento de corte danificado pode projetar objetos e causar ferimentos graves ou a morte. Substitua as lâminas danificadas de imediato.

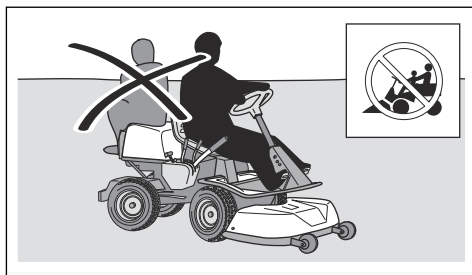


ATENÇÃO: Este produto produz um campo eletromagnético durante o funcionamento. Em determinadas circunstâncias, este campo pode interferir com o funcionamento de implantes médicos ativos ou passivos. Para diminuir o risco de ferimentos graves ou mortais, recomendamos que os portadores de implantes médicos consultem o seu médico e o fabricante do implante antes de utilizar este produto.



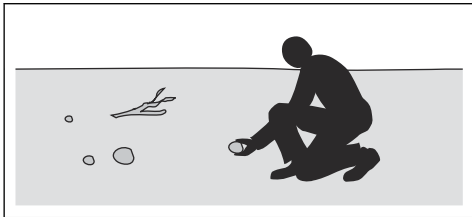
ATENÇÃO: Leia as instruções de aviso que se seguem antes de utilizar o produto.

- Seja sempre cuidadoso e use o seu senso comum. Evite todas as situações que considere estarem para além das suas capacidades. Se não se sentir seguro quanto aos procedimentos de funcionamento após a leitura do manual do utilizador, consulte um especialista antes de continuar.
- Leia e compreenda o manual do utilizador e as instruções presentes no produto com atenção antes de o ligar.
- Aprenda a utilizar o produto e os respetivos controlos em segurança, e saiba como parar o produto rapidamente.
- Aprenda a reconhecer os autocolantes de segurança.
- Mantenha o produto limpo para se certificar de que consegue ler bem os sinais e os autocolantes.
- Tenha em atenção que o utilizador é responsável pelos acidentes que incluam outras pessoas ou a respetiva propriedade.
- Não transporte passageiros. O produto apenas pode ser utilizado por uma pessoa.



- Não deixe o produto sem supervisão com o motor ligado. Pare sempre as lâminas, aplique o travão de estacionamento, pare o motor e retire a chave de ignição antes de deixar a máquina sem supervisão.
- Apenas utilize o produto durante o dia ou em condições de boa iluminação. Mantenha o produto a uma distância de segurança de orifícios ou outras irregularidades no solo. Tenha atenção com outros possíveis riscos.

- Não utilize o produto em condições atmosféricas desfavoráveis, por exemplo, nevoeiro, chuva, localizações molhadas ou com humidade, ventos fortes, frio intenso, risco de trovoada, etc.
- Procure e marque as pedras e outros objetos fixos para prevenir colisões.
- Retire da área quaisquer objetos como pedras, brinquedos, fios, etc., que possam ficar presos ou ser projetados.



- Não permita a utilização ou a manutenção do produto por crianças ou outras pessoas sem aprovação para utilizar o produto. A legislação local pode regular a idade do utilizador permitida.
- Certifique-se de que ninguém permanece nas imediações do produto quando ligar o motor, ativar a transmissão ou começar a deslocar o produto.
- Esteja atento ao trânsito ao cortar junto a uma estrada ou atravessar uma estrada.
- Não utilize o produto quando estiver cansado, sob o efeito de álcool ou drogas, tiver tomado medicamentos ou outros produtos que possam afetar negativamente a sua visão, atenção, capacidade de discernimento ou o seu controlo físico.
- Estacione sempre o produto numa superfície nivelada com o motor parado.

Instruções de segurança relativamente a crianças

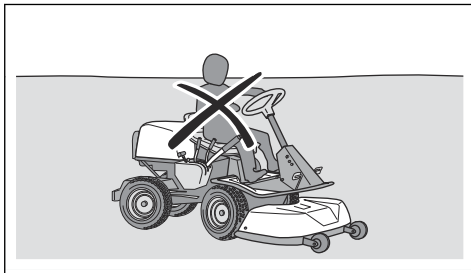


ATENÇÃO: Leia as instruções de aviso que se seguem antes de utilizar o produto.

- Podem ocorrer acidentes graves se não prestar atenção às crianças que se encontram nas proximidades do produto. As crianças podem ser atraídas pelo produto e pelo corte da relva. É muito provável que as crianças não se mantenham onde as viu pela última vez.
- Mantenha as crianças afastadas da área a cortar. Certifique-se de que está presente um adulto responsável pelas crianças.
- Mantenha-se vigilante e pare o produto caso se encontrem crianças na zona de trabalho. Tenha muito cuidado perto de cantos, arbustos, árvores ou outros objetos que previnam uma visão clara.
- Antes e durante a deslocação do produto em marcha-atrás, olhe para trás e para baixo para se

certificar de que não estão presentes crianças pequenas nas proximidades do produto.

- Não permita o transporte das crianças. Podem cair e sofrer ferimentos graves ou prevenir a realização de manobras seguras do produto.
- Não permita que as crianças operem o produto.



Instruções de segurança para funcionamento



ATENÇÃO: Não toque no motor ou no sistema de escape durante e diretamente após o funcionamento. O motor e o sistema de escape ficam muito quentes durante o funcionamento. Risco de queimaduras, incêndio e danos na propriedade ou nas áreas adjacentes. Ao utilizar o produto, mantenha-se afastado de arbustos e outros objetos.



ATENÇÃO: Leia as instruções de aviso que se seguem antes de utilizar o produto.

- Olhe sempre para baixo e para trás antes e durante as deslocações em marcha-atrás. Esteja atento aos obstáculos de todas as dimensões.
- Diminua a velocidade antes de fazer uma curva.
- Pare as lâminas quando se deslocar em zonas que não irá cortar.



CUIDADO: Leia as instruções de precaução que se seguem antes de utilizar o produto.

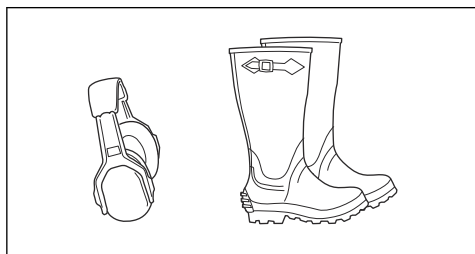
- Antes de utilizar o produto, limpe a relva e a sujidade da admissão de ar frio do motor. Se a admissão de ar frio estiver obstruída, existe o risco de danos no motor.
- Desloque-se com cuidado junto a pedras e outros objetos de maiores dimensões e certifique-se de que as lâminas não embatem nos objetos.
- Não utilize o produto ao longo de objetos. Se utilizar o produto ao longo ou em algum objeto, pare e examine o produto e a plataforma de corte. Se necessário, repare quaisquer danos antes de recomeçar.

Equipamento de proteção pessoal



ATENÇÃO: Leia as instruções de aviso que se seguem antes de utilizar o produto.

- Utilize equipamento de proteção pessoal aprovado ao utilizar o produto. O equipamento de proteção pessoal não previne totalmente os ferimentos mas diminui a respetiva gravidade em caso de acidente. Obtenha ajuda junto do seu concessionário para selecionar o equipamento certo.
- Utilize sempre protetores acústicos aprovados. A exposição prolongada a ruídos pode provocar danos auditivos permanentes.
- Utilize sempre sapatos ou botas de proteção. Recomenda-se calçado com biqueira de aço. Não utilize o produto se estiver descalço.



- Utilize luvas sempre que necessário, por exemplo, ao fixar, examinar ou limpar o equipamento de corte.
- Não utilize vestuário largo, joias ou outros itens que possam ficar presos nas peças móveis.
- Mantenha equipamentos de primeiros socorros e um extintor de incêndio sempre à mão.

Dispositivos de segurança no produto



ATENÇÃO: Leia as instruções de aviso que se seguem antes de utilizar o produto.

- Não utilize o produto com dispositivos de segurança defeituosos. Verifique regularmente os dispositivos de segurança. Se os dispositivos de segurança estiverem defeituosos, fale com a sua oficina autorizada Husqvarna.
- Não realize modificações aos dispositivos de segurança. Não utilize o produto se as placas de proteção, as coberturas de proteção, os interruptores de segurança e outros dispositivos de proteção não estiverem fixos ou estiverem defeituosos.

Verifique a fechadura da ignição

- Ligue e desligue o motor para verificar a fechadura da ignição. Consulte as secções *Arrancar o motor na página 100* e *Parar o motor na página 101*.

- Certifique-se de que o motor arranca quando roda a chave de ignição para a posição START.
- Certifique-se de que o motor para imediatamente quando roda a chave de ignição na posição STOP.

Condições de funcionamento

São necessárias estas condições para ligar o motor:

- O operador está no banco.
- O travão de estacionamento encontra-se aplicado.
- A transmissão das lâminas está desativada.

O motor tem de parar nas seguintes situações:

- O travão de estacionamento não está aplicado e o condutor levanta-se do banco.

A transmissão das lâminas deve parar nas seguintes situações:

- O travão de estacionamento está aplicado e o condutor levanta-se do banco.
- O botão da TDF é premido.

Tente ligar o motor sem uma das condições mencionadas acima. Altere as condições e tente novamente. Efetue esta verificação diariamente.

Verificar o limitador de velocidade

- Solte o pedal de marcha em frente para travar.
- Para obter mais potência de travagem, prima o pedal de marcha-atrás.
- Certifique-se de que os pedais de marcha em frente e marcha-atrás não estão bloqueados e podem ser utilizados livremente.
- Certifique-se de que o produto trava quando liberta o pedal de marcha em frente.

Travão de estacionamento



ATENÇÃO: Se o travão de estacionamento não funcionar, o produto pode começar a deslocar-se e causar ferimentos ou danos. Certifique-se de que examina e ajusta regularmente o travão de estacionamento.

Consulte o capítulo *Verificar o travão de estacionamento na página 105*.

Silenciador

O silenciador mantém o mais baixo nível de ruído possível e afasta os gases de escape do utilizador.

Não utilize o produto se o silenciador estiver defeituoso ou estiver em falta. Um silenciador defeituoso aumenta o nível de ruído e o risco de incêndio.



ATENÇÃO: O silenciador fica muito quente durante e após a utilização e quando o motor funciona ao ralenti. Tenha cuidado junto de materiais inflamáveis e/ou vapores para evitar incêndios.

Verificar o silenciador

- Examine o silenciador regularmente para se certificar de que está bem fixo e não está danificado.

Coberturas de proteção

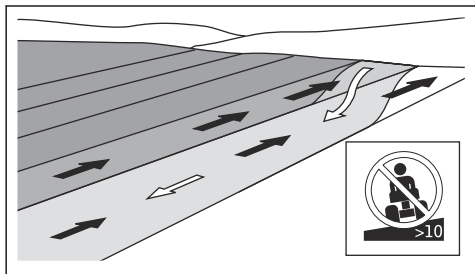
As coberturas de proteção danificadas ou em falta aumentam o risco de ferimentos em peças móveis ou superfícies quentes. Verifique as coberturas de proteção antes de utilizar o produto. Certifique-se de que as coberturas de proteção estão bem fixas e que não têm fissuras nem outros danos. Substituir as coberturas danificadas.

Cortar relva em declives



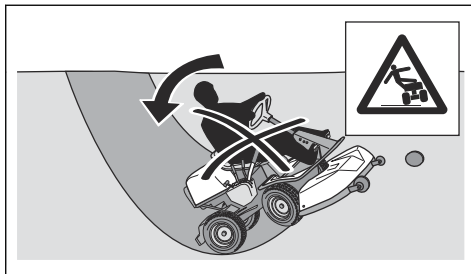
ATENÇÃO: Leia as instruções de aviso que se seguem antes de utilizar o produto.

- Cortar relva em declives aumenta o risco de perda de controlo e de capotamento do produto. Estas ocorrências podem resultar em ferimentos ou morte. É necessário ter cuidado ao cortar relva em todos os declives. Se não conseguir sair de um declive ou se não se sentir em segurança, não corte nesse local.
- Retire pedras, ramos e outros obstáculos.
- Corte a relva a subir e a descer o declive, e nunca de lado a lado.
- Não corte um declive a descer com a bancada de corte levantada.
- Não utilize o produto em terrenos com um declive superior a 10°.



- Não arranque nem pare num declive.
- Desloque-se devagar e suavemente em declives.
- Não faça mudanças súbitas de velocidade ou de direção.
- Não vire mais do que o necessário. Vire lenta e gradualmente ao descer um declive. Desloque-se a baixa velocidade. Vire o volante com cuidado.
- Tenha atenção para não se deslocar sobre trincheiras, orifícios e lombas. Existe um risco mais elevado de capotamento do produto num piso desnivelado. A relva longa pode ocultar obstáculos.
- Não corte a relva próximo de bermas, valas ou inclinações. O produto pode capotar subitamente se uma das rodas se deslocar ao longo da bermas de

um declive íngreme ou de uma vala, ou se uma bermas ceder. Se o produto cair em água, existe o risco de afogamento.



- Não corte relva molhada. É escorregadia e os pneus podem perder a aderência, provocando a derrapagem do produto.
- Não coloque o pé no chão para tentar estabilizar o produto.
- Desloque-se com muito cuidado se um acessório ou outro objeto que torne o produto menos estável estiver fixo.
- Para aumentar a estabilidade, coloque contrapesos. Para mais informações, fale com o revendedor.

Segurança de reboque

- Utilize apenas equipamento de reboque aprovado pela Husqvarna.
- Utilize a barra de reboque para prender o equipamento.
- Não reboque equipamento mais pesado do que o peso máximo permitido. Consulte *Especificações técnicas na página 121*.
- Certifique-se de que não se encontra mais ninguém perto do produto quando rebocar equipamento.
- Não reboque equipamento em inclinações ou terreno acidentado.
- Utilize o produto a uma velocidade baixa quando rebocar equipamento.

Segurança no manuseamento do combustível



ATENÇÃO: Tenha cuidado com o combustível. É muito inflamável e pode causar ferimentos e danos na propriedade.



ATENÇÃO: Leia as instruções de aviso que se seguem antes de utilizar o produto.

- Não encha o depósito de combustível no interior.
- A gasolina e os respetivos vapores são venenosos e muito inflamáveis. Tenha cuidado com a gasolina para evitar ferimentos ou incêndios.
- Não retire a tampa do depósito de combustível nem encha o depósito de combustível com o motor em funcionamento.

- Deixe o motor arrefecer antes de voltar a abastecer o combustível.
- Não fume quando estiver a encher o depósito de combustível.
- Não encha o depósito de combustível junto a faíscas ou chamas abertas.
- Se existirem fugas no sistema de combustível, não ligue o motor até que as fugas estejam reparadas.
- Não encha acima do nível de combustível recomendado. Se o depósito estiver demasiado cheio, o calor do motor e o sol faz com que o combustível se expanda e transborde.
- Não encha demasiado. Se derramar combustível no produto, limpe o derrame e aguarde que seque antes de ligar o motor. Se derramar na sua roupa, troque-a.
- Armazene o combustível apenas em recipientes aprovados.
- Armazene o produto e o combustível de forma a não existir o risco de danos causados por fugas ou vapores de combustível.
- Drene o combustível de um recipiente aprovado numa zona exterior e afastado de chamas abertas.

Segurança de transporte

- Utilize um veículo de transporte aprovado para o transporte do produto.
- A legislação local ou nacional dos mercados pode limitar o transporte do produto.
- O operador do veículo de transporte é responsável por fixar o produto em segurança durante o transporte.

Segurança da bateria



ATENÇÃO: Uma bateria danificada pode causar uma explosão e provocar ferimentos. Se a bateria estiver deformada ou danificada, fale com uma oficina autorizada Husqvarna.



ATENÇÃO: Leia as instruções de aviso que se seguem antes de utilizar o produto.

- Utilize óculos de proteção quando estiver perto de baterias.
- Não utilize relógios, joias ou outros objetos metálicos perto da bateria.
- Mantenha a bateria fora do alcance de crianças.
- Carregue a bateria num espaço com um bom fluxo de ar.
- Ao carregar a bateria, mantenha os materiais inflamáveis a uma distância mínima de 1 m.
- Elimine as baterias substituídas. Consulte o capítulo *Eliminação na página 120*.

- A bateria pode emitir gases explosivos. Não fume perto da bateria. Mantenha a bateria afastada de chamas abertas e faíscas.

Instruções de segurança para manutenção



ATENÇÃO: O produto é pesado e pode causar ferimentos ou danos na propriedade ou na área adjacente. Não efetue a manutenção do motor ou da plataforma de corte sem reunir as seguintes condições:

- O motor está desligado.
- O produto está estacionado numa superfície nivelada.
- O travão de estacionamento encontra-se aplicado.
- A chave de ignição foi removida.
- A bancada de corte está desengatada.
- Os cabos da ignição foram removidos das velas.



ATENÇÃO: Os gases de escape do motor contêm monóxido de carbono, um gás inodoro, tóxico e altamente perigoso. Não utilize o produto em espaços fechados ou em espaços com um fluxo de ar insuficiente.



ATENÇÃO: Leia as instruções de aviso que se seguem antes de utilizar o produto.

- Para obter o melhor desempenho e segurança, efetue regularmente a manutenção do produto, de acordo com o esquema de manutenção. Consulte o capítulo *Esquema de manutenção para o operador na página 101*.
- Os choques elétricos podem causar ferimentos. Não toque nos cabos com o motor em funcionamento. Não efetue um teste de funcionamento no sistema de ignição com os seus dedos.
- Não ligue o motor se as coberturas de proteção tiverem sido removidas. Existe um risco elevado de ferimentos causados por peças quentes ou em movimento.
- Deixe o produto arrefecer antes de efetuar a manutenção perto do motor.
- As lâminas são afiadas e podem causar cortes. Coloque proteções contra o vento em redor das lâminas ou utilize luvas de proteção quando trabalhar nas mesmas.
- Coloque sempre a plataforma de corte na posição de manutenção para efetuar a respetiva limpeza. Não estacione o produto perto da berma de uma vala ou de um declive para ter acesso à plataforma de corte.



CUIDADO: Leia as instruções de precaução que se seguem antes de utilizar o produto.

- Não inverta o motor se a vela de ignição ou o cabo de ignição tiverem sido retirados.
- Certifique-se de que aperta corretamente todos os parafusos e porcas, e que o equipamento está em bom estado.

- Não faça alterações ao ajuste dos reguladores. Se a velocidade do motor for demasiado elevada, os componentes do produto ficar danificados. Consulte a secção *Especificações técnicas na página 121* para saber qual é a velocidade do motor mais elevada permitida.
- O produto é apenas aprovado com o equipamento fornecido ou recomendado pelo fabricante.

Montagem

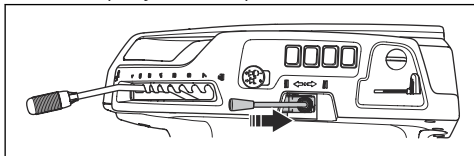
Introdução



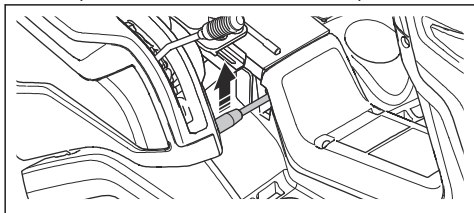
ATENÇÃO: Certifique-se de que lê e compreende o capítulo sobre segurança antes de montar o produto.

Fixar a bancada de corte

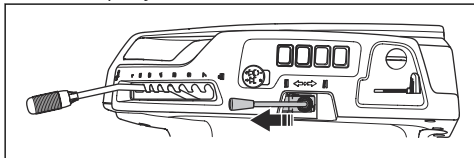
1. Estacione o produto num piso nivelado.
2. Aplique o travão de estacionamento.
3. Coloque a alavanca de elevação da plataforma de corte na posição de transporte.



4. Desloque a alavanca de transferência de peso para cima para desativar a transferência de peso.

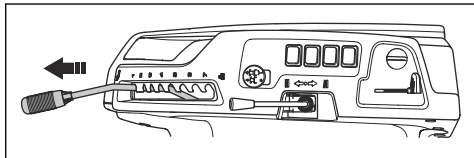


5. Coloque a alavanca de elevação da plataforma de corte na posição de corte.

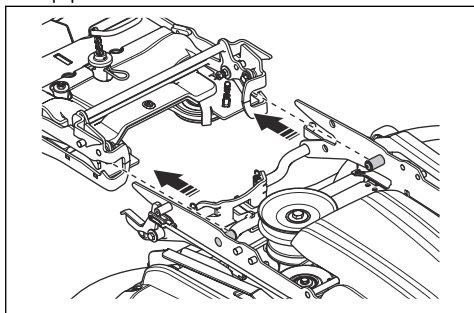


6. Desligue o motor.

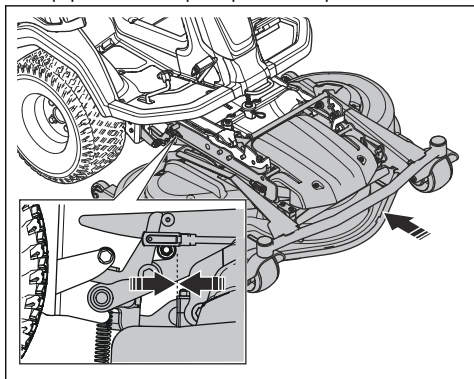
7. Coloque a alavanca da altura de corte na posição de manutenção.



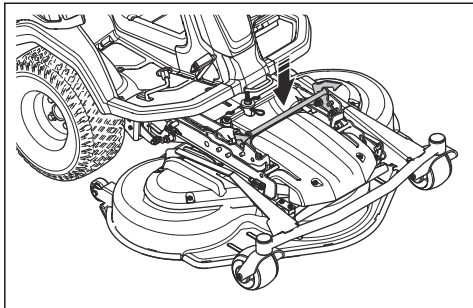
8. Alinhe a plataforma de corte com a estrutura do equipamento.



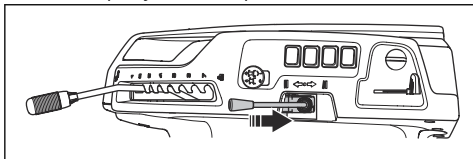
9. Empurre a plataforma de corte para a estrutura do equipamento até que a plataforma pare.



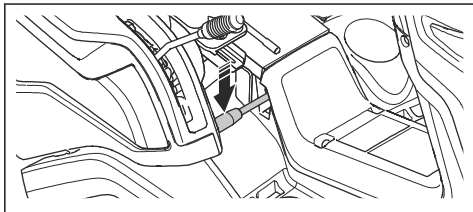
10. Empurre o punho de bloqueio para baixo.



11. Coloque a alavanca de elevação da plataforma de corte na posição de transporte.



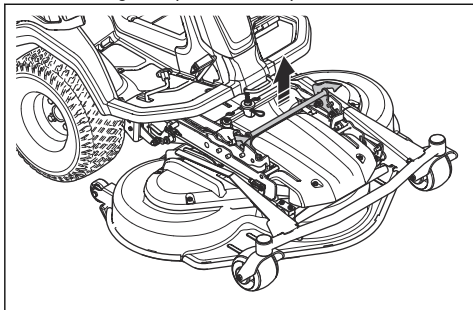
12. Desloque a alavanca de transferência de peso para baixo para ativar a transferência de peso.



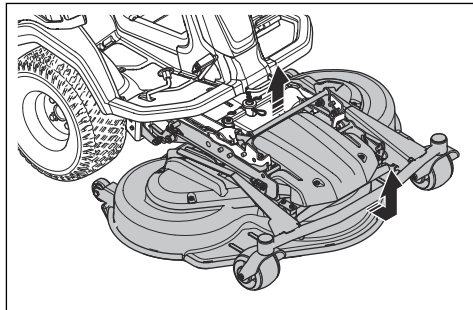
Retirar a bancada de corte

1. Efetue os passos 1 a 7 em *Fixar a bancada de corte na página 96*.

2. Puxe e segure o punho de bloqueio.



3. Segure a extremidade dianteira da plataforma de corte e puxe para a frente enquanto segura o punho de bloqueio. Puxe a plataforma de corte até à posição final.



Nota: Se não conseguir puxar a plataforma de corte até à sua posição final, solte o punho de bloqueio e puxe-a novamente para cima.

4. Puxe e segure o punho de bloqueio e levante a parte dianteira da plataforma de corte até que esta se solte. Eleve até que a parte dianteira da plataforma de corte se liberte da estrutura do equipamento.

5. Puxe a plataforma de corte para fora.

Funcionamento

Introdução



ATENÇÃO: Antes de utilizar o produto, tem ler e compreender o capítulo sobre segurança.

Começar a utilizar Husqvarna Connect

1. Transfira a aplicação Husqvarna Connect para o seu dispositivo móvel.
2. Registe-se na aplicação Husqvarna Connect.
3. Siga os passos das instruções na aplicação Husqvarna Connect para ligar e registar o produto.

Encher o depósito de combustível



ATENÇÃO: A gasolina é muito inflamável. Tenha o cuidado de abastecer no exterior (consulte a secção *Segurança no manuseamento do combustível na página 94*).



ATENÇÃO: Não utilize o depósito de combustível como área de suporte.



CUIDADO: O tipo errado de combustível pode resultar em danos no motor.

O motor funciona a gasolina com um índice de octanas mínimo de 91 RON (87 AKI), não misturada com óleo. Recomendamos uma gasolina biodegradável com base em alquilatos. Não utilize gasolina que contenha mais de 10% de etanol.

- Verifique o nível de combustível antes de cada utilização e volte a encher, se necessário.
- Não encha completamente o depósito de combustível. Mantenha um espaço mínimo de 2,5 cm.

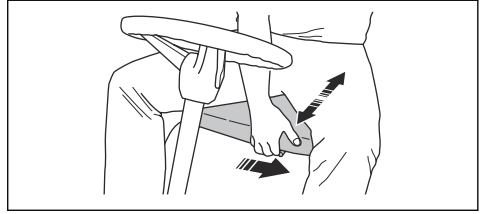
Ajustar o banco



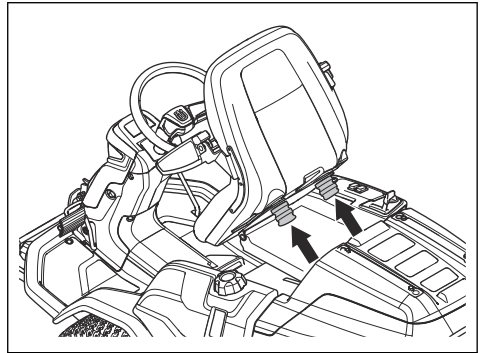
ATENÇÃO: Não ajuste o banco durante o funcionamento do produto.

1. Para ajustar o banco para a frente e para trás, coloque o pé nas placas para os pés.
2. Empurre a alavanca abaixo da extremidade dianteira do banco, para o lado.

3. Desloque o banco para a posição adequada para si.



4. Para ajustar as molas do banco, desloque os 2 batentes de borracha sob o banco conforme apresentado na ilustração. Coloque os 2 batentes de borracha nos orifícios dianteiros, intermédios ou traseiros por sob o banco.

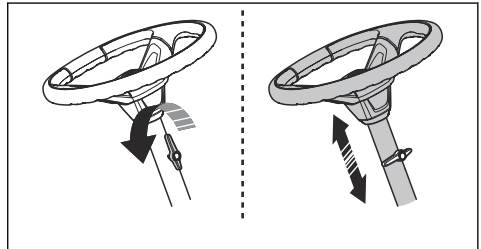


Ajustar a altura do volante



ATENÇÃO: Não ajuste a altura do volante durante o funcionamento do produto.

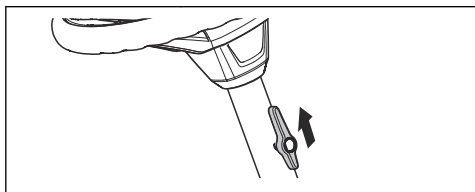
1. Rode o manípulo para a esquerda para despertar.



2. Ajuste a altura do volante.
3. Rode o manípulo para a direita para apertar.

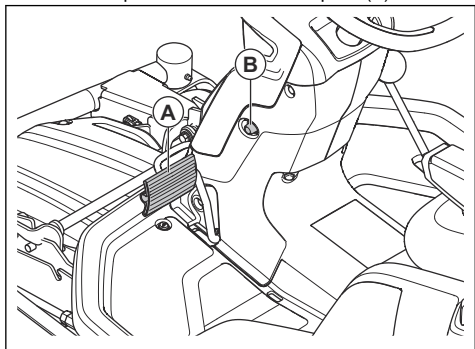


CUIDADO: Certifique-se de que a extremidade comprida do manípulo aponta para cima.



Aplicar e soltar o travão de estacionamento

1. Pressione o pedal do travão de estacionamento (A).
2. Mantenha premido o botão de bloqueio (B).



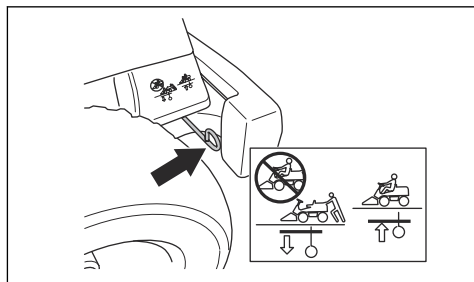
3. Mantenha premido o botão de bloqueio e solte o pedal do travão de estacionamento.
4. Para soltar o travão de estacionamento, pressione o pedal do travão de estacionamento.

Ativar e desativar o sistema de acionamento

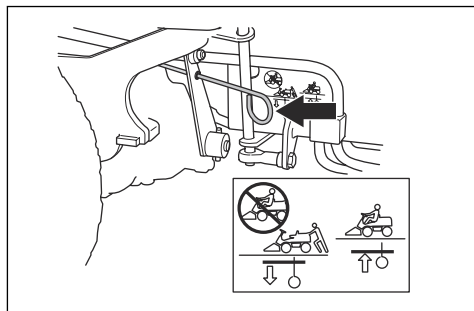
Para deslocar o produto com o motor desligado, o sistema de acionamento tem de estar desativado. Puxe totalmente a alavanca do sistema de acionamento para fora para desativar o acionamento no eixo. Empurre totalmente a alavanca do sistema de acionamento para ativar o acionamento no eixo. Não utilize posições intermédias.

O produto tem uma alavanca do sistema de acionamento para o eixo dianteiro e outra para o eixo

traseiro. A alavanca do sistema de acionamento do eixo traseiro situa-se atrás da roda traseira esquerda.

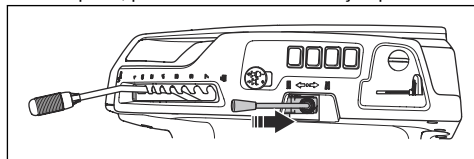


A alavanca do sistema de acionamento do eixo dianteiro situa-se atrás da roda dianteira esquerda.

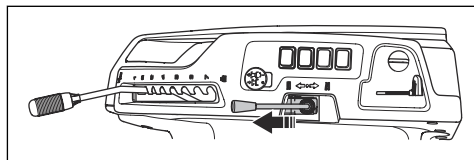


Levantar e baixar a bancada de corte

- Para elevar a plataforma de corte até à posição de transporte, puxe a alavanca de elevação para trás.

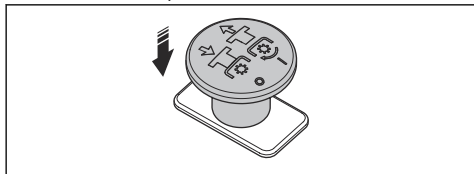


- Para baixar a plataforma de corte para a posição de corte, empurre a alavanca de elevação para a frente.

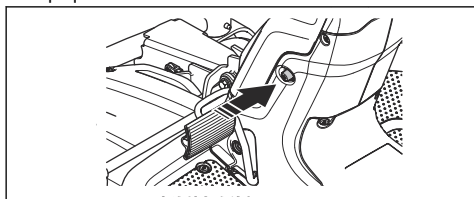


Arrancar o motor

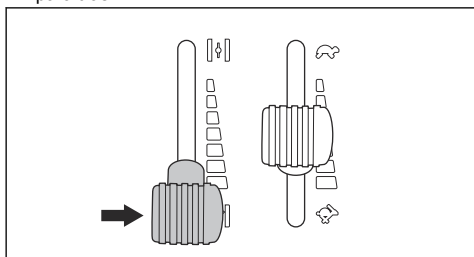
1. Prima o botão da TDF para desengatar a transmissão da plataforma de corte.



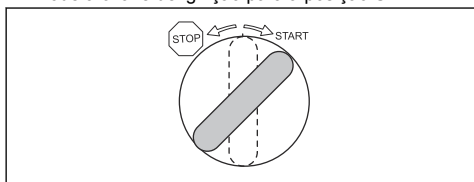
2. Aplique o travão de estacionamento.



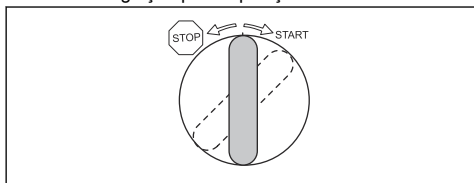
3. Para R 420TsX AWD: Se o motor estiver frio, desloque o controlo do estrangulador totalmente para trás.



4. Rode a chave de ignição para a posição START.



5. Quando o motor arrancar, solte imediatamente a chave de ignição para a posição neutra.



Nota: Não mantenha a chave de ignição na posição de arranque durante mais de 5 segundos de cada vez. Se o motor não arrancar, aguarde 15 segundos antes de tentar novamente.

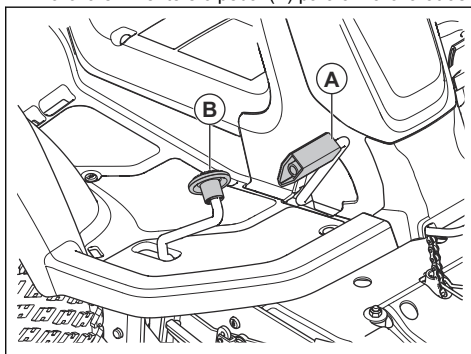
6. Deixe o motor trabalhar na aceleração intermédia durante 3 a 5 minutos antes de aplicar uma carga pesada.
7. Empurre o acelerador para a posição aceleração total.

Utilizar o produto

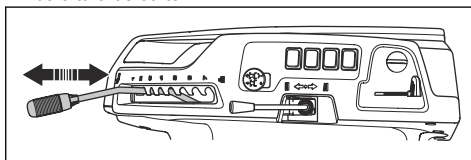
1. Ligue o motor. Consulte *Arrancar o motor na página 100*.
2. Liberte o travão de estacionamento



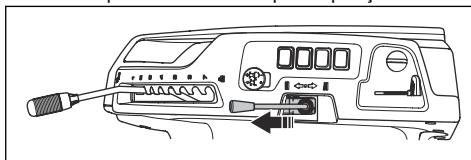
3. Pressione um dos pedais de velocidade com cuidado. A velocidade aumenta proporcionalmente à pressão aplicada no pedal. Utilize o pedal (A) para a marcha em frente e o pedal (B) para a marcha-atrás.



4. Solte o pedal para travar.
5. Selecione a altura de corte (1 a 7) com a alavanca da altura de corte.



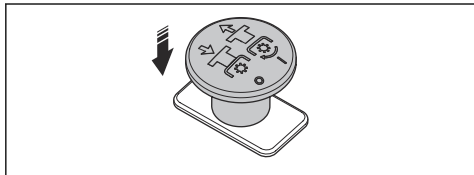
6. Desloque a alavanca de elevação para a frente para baixar a plataforma de corte para a posição de corte.



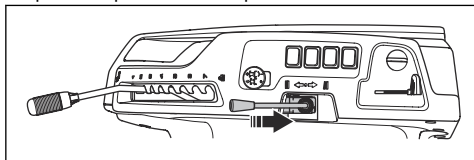
7. Puxe o botão da TDF para engatar a transmissão das lâminas.

Parar o motor

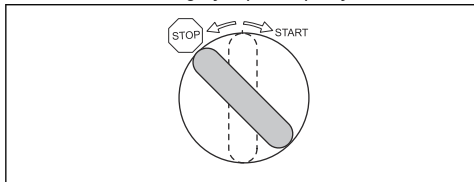
1. Prima o botão da TDF para desengatar a transmissão das lâminas da plataforma de corte.



2. Puxe a alavanca de elevação da plataforma de corte para trás para levantar a plataforma de corte.



3. Aplique o travão de estacionamento.
4. Rode a chave de ignição para a posição STOP.



Obter bons resultados de corte

- Para obter o melhor desempenho, efetue regularmente a manutenção do produto, de acordo com o esquema de manutenção. Consulte *Esquema de manutenção para o operador na página 101*.
- Não corte um relvado molhado. A relva molhada pode levar a um corte de fraca qualidade.
- Comece com uma altura de corte elevada e diminua-a gradualmente.
- Corte com as lâminas a uma velocidade de rotação elevada (a velocidade do motor mais elevada permitida, consulte *Especificações técnicas na página 121*). Desloque o produto para a frente a uma velocidade baixa. Se a relva não for muito alta nem muito espessa, pode obter bons resultados de corte também a velocidades mais elevadas.
- Corte a relva num padrão irregular.
- Para obter o melhor resultado de corte, corte a relva com frequência e utilize a função BioClip.

Manutenção

Introdução



ATENÇÃO: Antes de efetuar qualquer tarefa de manutenção, tem de ler e compreender o capítulo sobre segurança.

X = As instruções estão disponíveis neste manual do utilizador.

Nota: Se existir mais do que 1 intervalo de tempo para uma tarefa, o intervalo de tempo mais curto é para a primeira manutenção. Após a primeira manutenção, respeite o intervalo de tempo maior.

Esquema de manutenção

* = As instruções não estão disponíveis neste manual do utilizador.

Esquema de manutenção para o operador

Manutenção	Manutenção diária antes da utilização	Intervalo de manutenção em horas		
		50	100	200
Certifique-se de que as porcas e os parafusos estão apertados	*			
Certifique-se de que não existem fugas de óleo nem de combustível	*			
Limpar o produto	X			
Limpe a superfície interior da plataforma de corte, em redor das lâminas	X			

Manutenção	Manutenção diária antes da utilização	Intervalo de manutenção em horas		
		50	100	200
Limpar em redor do silenciador	X			
Certifique-se de que a admissão de ar frio do motor não está bloqueada	X			
Certifique-se de que os dispositivos de segurança não estão defeituosos	X			
Examine e teste os travões	*			
Verifique o nível do óleo de motor	X			
Verifique o nível do óleo da transmissão	X			
Verifique os cabos da direção	X			
Examine as lâminas da bancada de corte	X			
Certifique-se de que o farol de máximos e a luz de trabalho funcionam corretamente	*			
Limpe a plataforma de corte, sob as tampas da correia e sob a própria plataforma de corte		X		
Certifique-se de que a pressão dos pneus está correta		X		
Limpe o filtro de ar		X		
Verifique a posição paralela da bancada de corte		X		
Lubrifique o tensor da correia		X		
Lubrifique o banco		X		
Substitua o filtro de ar			X	
Substitua o óleo do motor ¹³		X		
Substitua o filtro de óleo			X	
Substitua o filtro de combustível			X	
Substitua a vela de ignição			X	

Limpar o produto



CUIDADO: Não utilize uma máquina de lavar de alta pressão nem uma máquina de limpeza a vapor. A possível entrada de água nos rolamentos e nas ligações elétricas pode causar corrosão, o que danifica o produto.

Limpe o produto imediatamente após cada utilização.

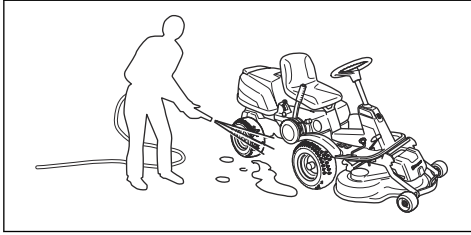
- Não limpe as superfícies quentes como o motor, o silenciador e o sistema de escape. Aguarde até as superfícies arrefecerem e, em seguida, remova a relva ou terra.
- Antes de limpar com água, limpe com uma escova. Retire aparas de relva e sujidade da transmissão, da

admissão de ar da transmissão e do motor, e à volta destes.

- Utilize água corrente de uma mangueira para limpar o produto. Não utilize equipamentos de alta pressão.
- Não direcione a água diretamente para os componentes elétricos nem para os rolamentos. Geralmente, o detergente aumenta os danos.
- Para limpar a plataforma de corte, coloque-a na posição de manutenção e utilize uma mangueira para a limpar.

¹³ No caso do R 420TsX AWD, substitua pela primeira vez após 8 horas de funcionamento

- Quando o produto estiver limpo, ligue a plataforma de corte durante um curto período de tempo para eliminar a água restante.



Limpar o motor e o silenciador

Mantenha o motor e o silenciador isentos de cortes de relva e terra. Os cortes de relva embebidos em combustível ou óleo no motor podem aumentar o risco de incêndio e de sobreaquecimento do motor. Deixe o motor arrefecer antes de limpar. Limpe com água e uma escova.

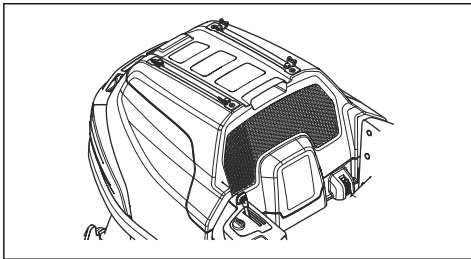
Os cortes de relva em redor do silenciador secam rapidamente e representam um risco de incêndio. Quando o silenciador estiver frio, utilize uma escova ou remova os cortes de relva com água.

Limpar a admissão de ar frio do motor

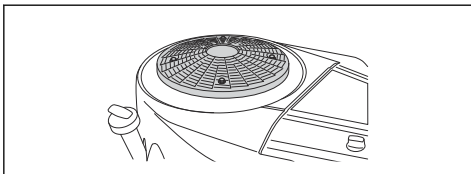


ATENÇÃO: Desligue o motor. A admissão de ar frio roda e pode causar ferimentos nos seus dedos.

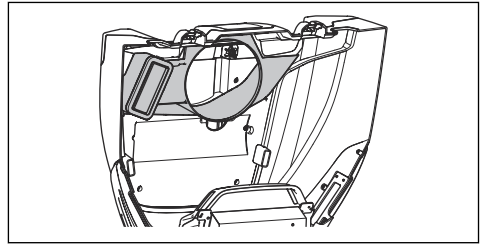
1. Certifique-se de que a grelha de admissão de ar frio da cobertura do motor não está bloqueada. Remova a relva e a terra com uma escova.



2. Abra a cobertura do motor.
3. Certifique-se de que a admissão de ar frio do motor não está obstruída. Remova a relva e a terra com uma escova.



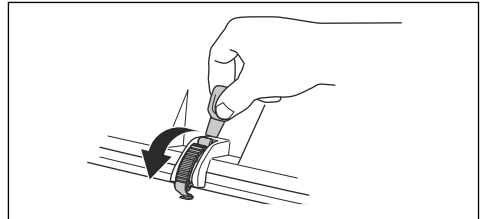
4. Examine a conduta de ar, que se encontra na superfície interior da proteção do motor. Certifique-se de que a conduta de ar está limpa e que não existe fricção entre esta e a admissão de ar frio.



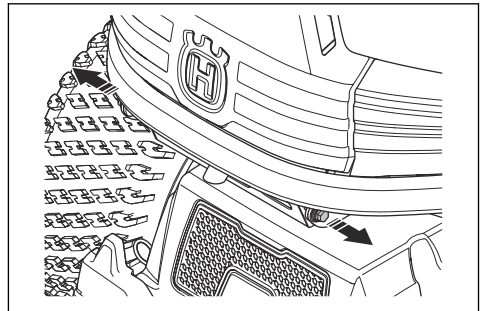
Remover as coberturas

Retirar e instalar a cobertura do motor

1. Dobre o banco para a frente.
2. Solte os 2 grampos da cobertura do motor com a ferramenta que está presa à chave de ignição.



3. Retire os parafusos das dobradiças.

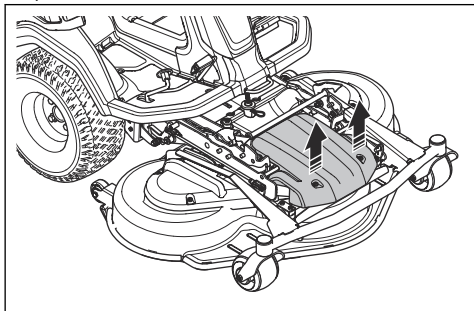


4. Dobre a proteção do motor para trás.
5. Instale na sequência oposta.

Retirar e instalar a cobertura dianteira da plataforma de corte

1. Retire a plataforma de corte. Consulte *Retirar a bancada de corte* na página 97.

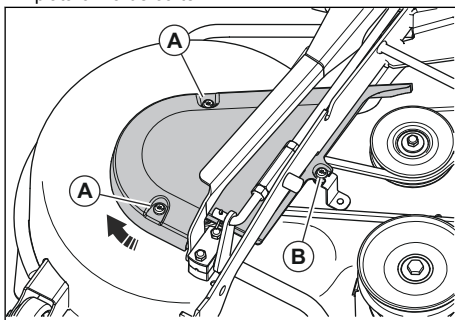
- Retire os 2 parafusos e a cobertura dianteira da plataforma de corte.



- Instale na sequência oposta.

Retirar e instalar a cobertura lateral da plataforma de corte

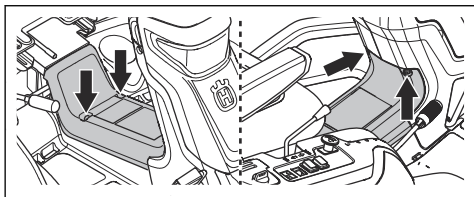
- Retire a plataforma de corte. Consulte *Retirar a bancada de corte na página 97*.
- Retire os 2 parafusos (A) na cobertura lateral da plataforma de corte.



- Desaperte o parafuso (B), mas não o retire.
- Rode e retire a cobertura lateral da plataforma de corte.
- Instale na sequência oposta.

Retirar e instalar a cobertura do túnel da estrutura

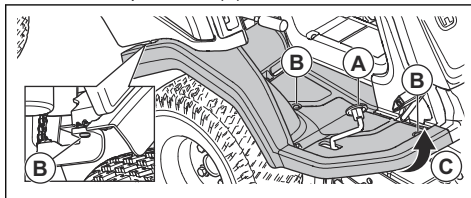
- Mova o banco para trás. Consulte *Encher o depósito de combustível na página 98*.
- Retire os 4 parafusos e a cobertura do túnel da estrutura.



- Instale na sequência oposta.

Retirar e instalar a placa de base para o pé direito

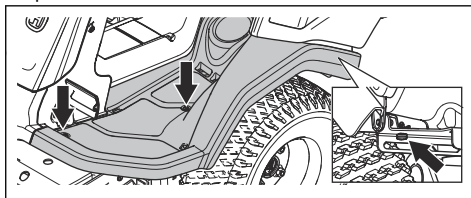
- Retire a cobertura do túnel da estrutura. Consulte *Retirar e instalar a cobertura do túnel da estrutura na página 104*.
- Rode o botão do pedal da marcha-atrás (A) para o retirar.
- Retire os 3 parafusos (A).



- Desaperte as extremidades da placa de base para o pé (C).
- Retire a placa de base para o pé.
- Instale na sequência oposta.

Retirar e instalar a placa de base para o pé esquerdo

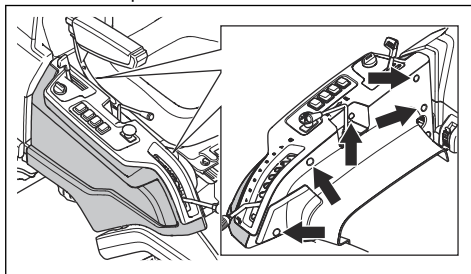
- Retire a cobertura do túnel da estrutura. Consulte *Retirar e instalar a cobertura dianteira da plataforma de corte na página 103*.
- Retire os 3 parafusos e retire a placa de base para o pé.



- Instale na sequência oposta.

Retirar e instalar a cobertura direita exterior

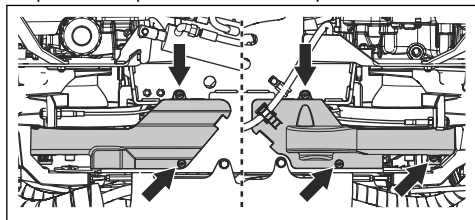
- Abra a cobertura do motor. Consulte *Retirar e instalar a cobertura do motor na página 103*.
- Retire os 6 parafusos e a cobertura lateral direita.



- Instale na sequência oposta.

Retirar as coberturas da correia inferior

1. Retire os parafusos que fixam a cobertura da correia inferior. Existem 2 parafusos no lado direito do produto e 3 parafusos no lado esquerdo.



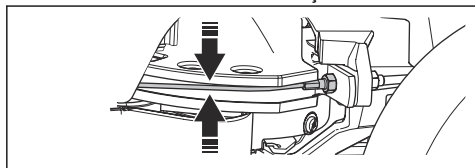
2. Retire a cobertura da correia inferior.
3. Monte na sequência oposta.

Examinar os cabos da direção

A tensão dos cabos da direção pode diminuir após um período de tempo. Tal provoca alterações no ajuste da direção.

Examine e ajuste a direção da seguinte forma:

1. Os cabos da direção estão bem apertados se os conseguir mover 5 mm para cima ou para baixo na ranhura existente do anel de direção.



2. Se os fios estiverem demasiado soltos, solicite o respetivo ajuste numa oficina autorizada.

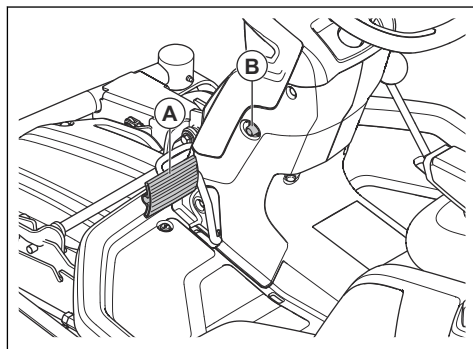
Verificar o travão de estacionamento

1. Estacione o produto numa inclinação com uma superfície rígida.

Nota: Não estacione o produto num declive com relva quando verificar o travão de estacionamento.

2. Pressione o pedal do travão de estacionamento (A).

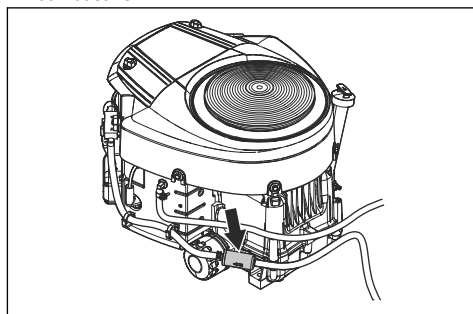
3. Prima e mantenha premido o botão de bloqueio (B) e solte o pedal do travão de estacionamento em simultâneo.



4. Se o produto começar a deslocar-se, solicite o ajuste do travão de estacionamento numa oficina autorizada.
5. Prima novamente o pedal do travão de estacionamento para soltar o travão de estacionamento.

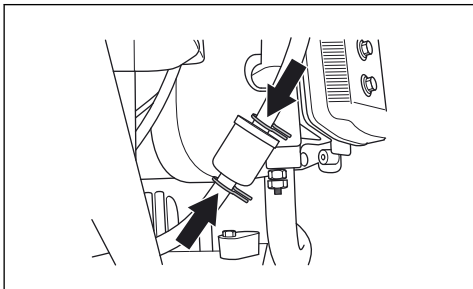
Substituir o filtro de combustível

1. Abra a cobertura do motor.
2. Afaste as braçadeiras de mangueira do filtro de combustível com um alicate plano.
3. Puxe o filtro de combustível das extremidades da mangueira. Pode ocorrer uma pequena fuga de combustível.



4. Empurre o novo filtro de combustível nas extremidades das mangueiras. Aplique detergente líquido nas extremidades do filtro de combustível para facilitar a ligação.

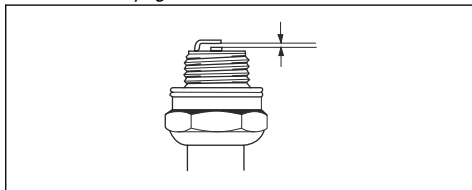
- Empurre as braçadeiras de mangueira contra o filtro de combustível.



- Feche a cobertura do motor.

Examinar e substituir a vela de ignição

- Abra a cobertura do motor.
- Retire o terminal do cabo de ignição e limpe a área em redor da vela de ignição.
- Retire a vela de ignição com uma chave para velas de ignição.
- Examine a vela de ignição. Substitua-a se os elétrodos estiverem queimados ou se o isolamento apresentar fissuras ou danos. Se a vela de ignição não estiver danificada, limpe-a com uma escova de aço.
- Meça a distância entre os elétrodos e confirme que está correta. Consulte o capítulo *Especificações técnicas na página 121*.



- Dobre o elétrodo lateral para ajustar a distância entre os elétrodos.
- Coloque novamente a vela de ignição e rode-a com a mão até que esteja em contacto com o assento da vela de ignição.
- Aperte a vela de ignição com a chave para velas de ignição até que a arruela esteja comprimida.
- Aperte uma vela de ignição usada mais $\frac{1}{4}$ de volta e uma vela de ignição nova mais $\frac{1}{4}$ de volta.



CUIDADO: As velas de ignição que não estejam corretamente apertadas podem causar danos no motor.



CUIDADO: Não tente ligar o motor se a vela de ignição ou o cabo de ignição tiverem sido retirados.

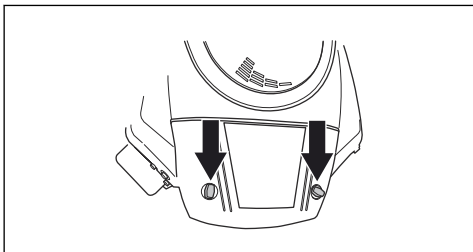
Substituir os fusíveis

Os fusíveis são colocados em 2 grupos. Os fusíveis para o módulo de controlo do corta-relva e para o motor encontram-se num suporte em frente à bateria. Os fusíveis para as potências elétricas auxiliares encontram-se num suporte em frente ao refrigerador de óleo hidráulico. Um fusível fundido é identificado por um conector queimado.

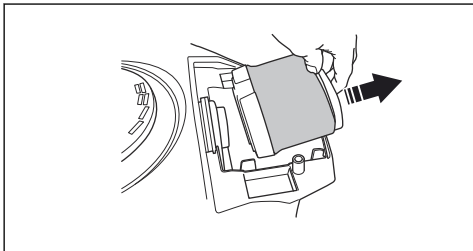
- Abra a cobertura do motor.

Limpar e substituir o filtro de ar

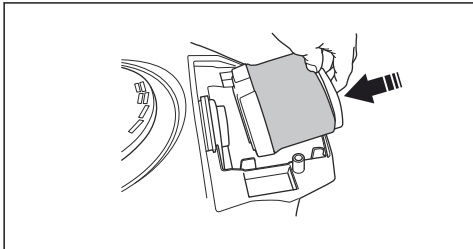
- Abra a cobertura do motor.
- Desaperte os botões que seguram a cobertura do filtro de ar e retire-a.



- Retire o filtro de ar.

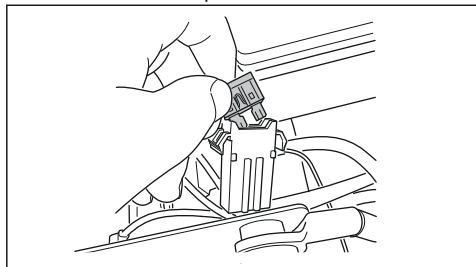


- Utilize uma escova para remover a relva e a sujidade do filtro de ar ou substitua-o por um novo filtro de ar. Consulte *Esquema de manutenção para o operador na página 101*.



- Instale o filtro de ar e a cobertura do filtro de ar. Aperte os botões.

2. Puxe o fusível do suporte.



3. Substitua o fusível fundido.
4. Feche a cobertura do motor.

Se o fusível se fundir novamente num curto período de tempo depois de o substituir, existe um curto-circuito. Repare o curto-circuito antes de utilizar novamente o produto.

Carregar a bateria

- Carregue a bateria, se esta estiver demasiado fraca para ligar o motor.
- Utilize um carregador de bateria padrão.



CUIDADO: Não utilize um carregador rápido ou propulsor de arranque. Estes poderão danificar o sistema elétrico do produto.

- Antes de ligar o motor, desligue sempre o carregador.

Efetuar um arranque de emergência do motor

Se a bateria estiver demasiado fraca para ligar o motor, pode utilizar cabos de ligação direta para efetuar um arranque de emergência. Este produto tem um sistema de 12 V com terra negativa. O produto utilizado para o arranque de emergência também tem de ter um sistema de 12 V com terra negativa.

Ligar os cabos de ligação direta



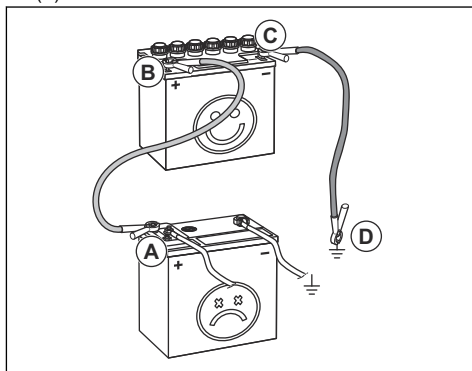
ATENÇÃO: Existe risco de explosão devido ao gás explosivo emitido pela bateria. Não ligue o terminal negativo da bateria totalmente carregada ao ou junto ao terminal negativo da bateria fraca.



CUIDADO: Não utilize a bateria do seu produto para ligar outros veículos.

1. Retire a proteção do motor.

2. Ligue uma extremidade do cabo vermelho ao terminal POSITIVO da bateria (+) na bateria fraca (A).



3. Ligue a outra extremidade do cabo vermelho ao terminal POSITIVO da bateria (+) na bateria totalmente carregada (B).



ATENÇÃO: Não provoque o curto-circuito das extremidades do cabo vermelho contra o chassi.

4. Ligue uma extremidade do cabo preto ao terminal NEGATIVO da bateria (-) na bateria totalmente carregada (C).
5. Ligue a outra extremidade do cabo preto a um conector de TERRA do CHASSI (D), afastado do depósito de combustível e da bateria.
6. Substitua as proteções.

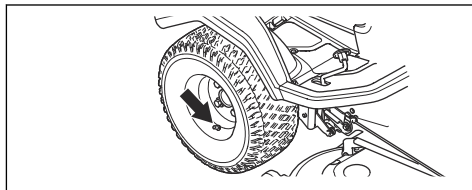
Retirar os cabos de ligação direta

Nota: Retire os cabos de ligação direta na sequência oposta à da ligação.

1. Retire o cabo PRETO do chassi.
2. Retire o cabo PRETO da bateria totalmente carregada.
3. Retire o cabo VERMELHO das 2 baterias.

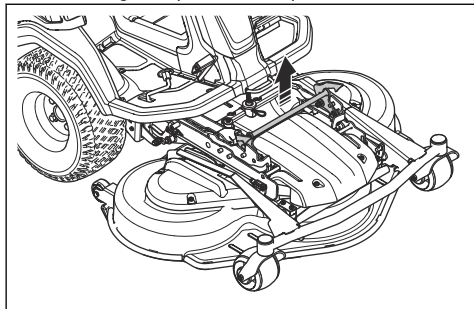
Pressão dos pneus

Certifique-se de que os 4 pneus têm a pressão correta. Consulte *Especificações técnicas na página 121*.

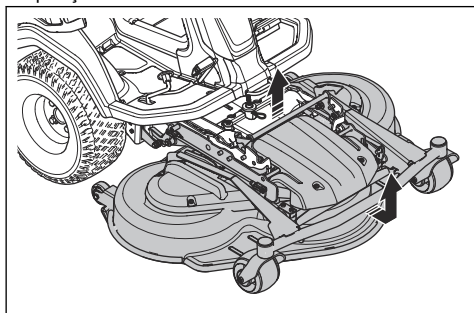


Colocar a plataforma de corte na posição de manutenção

1. Efetue os passos 1 a 7 em *Fixar a bancada de corte na página 96*.
2. Puxe e segure o punho de bloqueio.

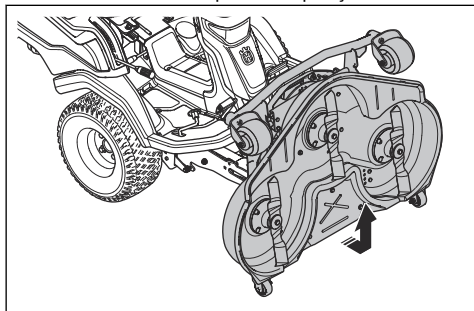


3. Segure a extremidade dianteira da plataforma de corte e puxe para a frente enquanto segura o punho de bloqueio. Puxe a plataforma de corte até à posição final.



Nota: Se não conseguir puxar a plataforma de corte até à sua posição final, solte o punho de bloqueio e puxe-a novamente para cima.

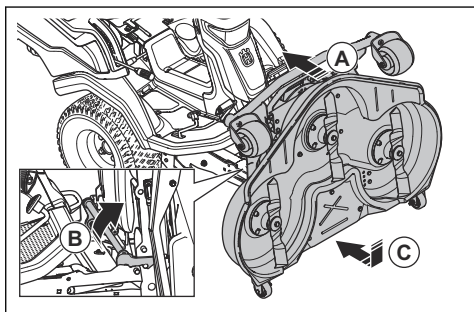
4. Levante a bancada de corte até à posição vertical, até ouvir um som de clique. A bancada de corte é automaticamente bloqueada na posição vertical.



5. Puxe a extremidade dianteira da plataforma de corte para a frente com cuidado, para se certificar de que a plataforma de corte está bloqueada.

Colocar a plataforma de corte na posição de corte

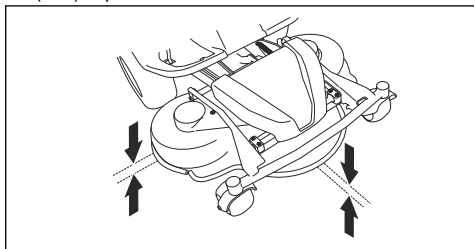
1. Segure na extremidade dianteira da plataforma de corte (A) com uma mão. Empurre a plataforma de corte na direção do produto.
2. Puxe o punho de bloqueio (B) com a outra mão para desengatar a posição de bloqueio da plataforma de corte.



3. Dobre a plataforma de corte (C) até que esteja nivelada com o solo.
4. Puxe o punho de bloqueio e empurre a plataforma de corte na direção do produto até parar.
5. Pressione o punho de bloqueio.

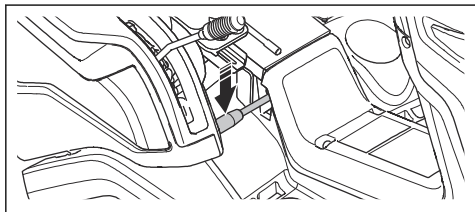
Verificar a posição paralela da bancada de corte

1. Certifique-se de que a pressão de ar nos pneus está correta. Consulte *Especificações técnicas na página 121*.
2. Estacione o produto numa superfície nivelada.
3. Baixe a plataforma de corte até à posição de corte.
4. Coloque a alavanca da altura de corte na posição de manutenção.
5. Meça a distância entre o solo e as arestas dianteira e traseira da plataforma de corte. Certifique-se de que a extremidade traseira tem uma altura 4 a 6 mm (1/5") superior à da extremidade dianteira.

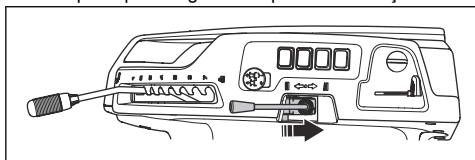


Ajustar a posição paralela da bancada de corte

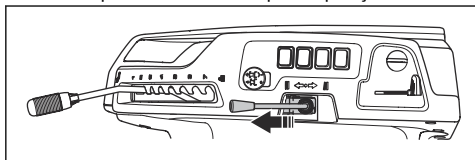
1. Estacione o produto numa superfície rígida e nivelada.
2. Aplique o travão de estacionamento.
3. Desloque a alavanca de transferência de peso para baixo.



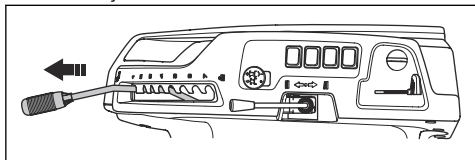
4. Desloque a alavanca de elevação para trás e levante a plataforma de corte para a posição de transporte para engatar o suporte de elevação.



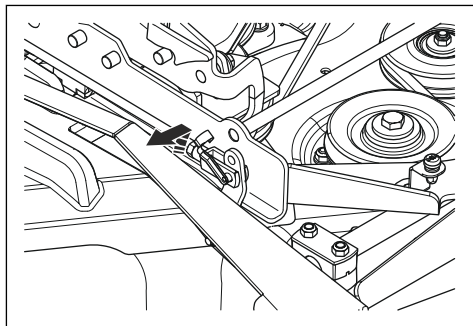
5. Desloque a alavanca de elevação para a frente e baixe a plataforma de corte para a posição de corte.



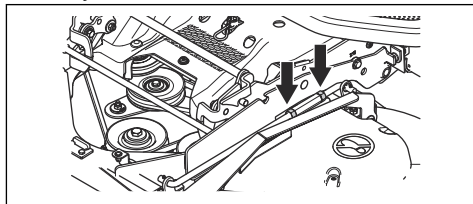
6. Coloque a alavanca da altura de corte na posição de manutenção.



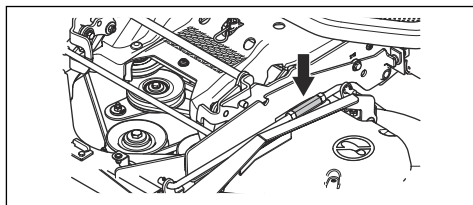
7. Retire a junta em forma de U na extremidade dianteira do suporte de regulação da altura. Desloque o suporte de regulação da altura para o lado.



8. Desaperte as porcas de fixação do suporte de elevação.

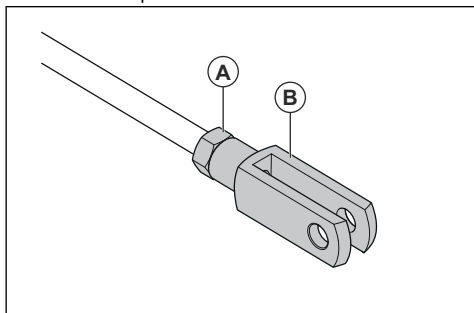


9. Rode a porca de ajuste do suporte de elevação para ajustar o comprimento do suporte de elevação. Aumente o comprimento para elevar a extremidade traseira da cobertura. Diminua o comprimento para baixar a extremidade traseira da cobertura.



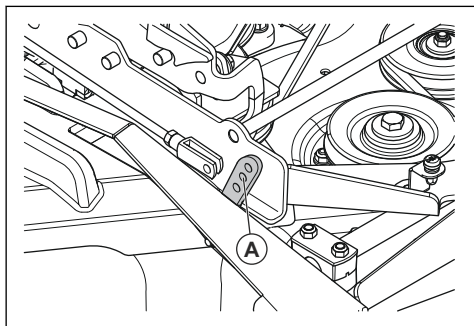
10. Aperte as porcas de fixação do suporte de elevação.

11. Desaperte a porca de fixação (A) na junta em forma de U do suporte de regulação da altura. Rode a junta em forma de U (B) no suporte de regulação da altura para ajustar o comprimento do suporte de regulação da altura. Certifique-se de que a junta em forma de U fica alinhada com o orifício correto na estrutura da plataforma de corte.

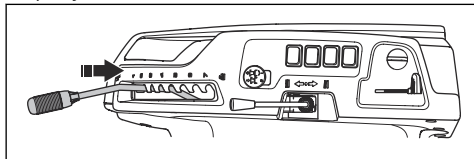


Nota: As 2 extremidades do suporte de regulação da altura têm, cada uma, uma junta em forma de U. O resultado é o mesmo, independentemente da junta em forma de U que regular.

12. Utilize o orifício central (A) da moldura da plataforma de corte.

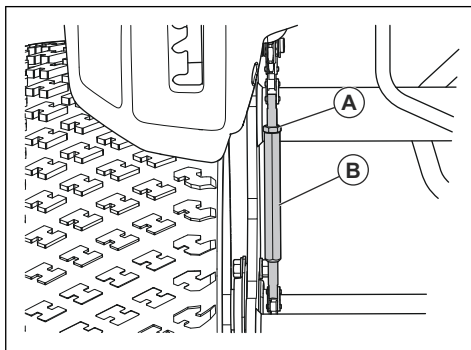


13. Aperte as porcas de fixação no suporte de regulação da altura.
14. Mova a alavanca da altura de corte para a para a posição 1 da altura de corte.

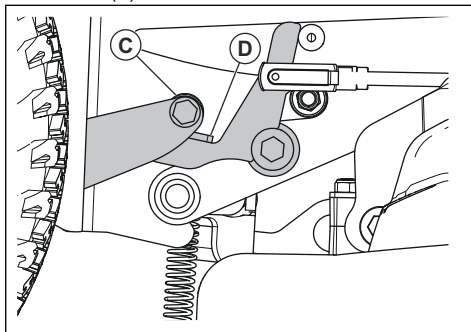


15. Remova a placa de base para o pé direito. Consulte *Retirar e instalar a placa de base para o pé direito na página 104.*

16. Desaperte a porca de fixação (A) no esticador da corrente da altura de corte.



17. Rode o parafuso de ajuste (B) na corrente da altura de corte até que a roda do rolamento (C) toque na alavanca (D).



18. Aperte a porca de fixação no esticador.
19. Verifique o paralelismo. Consulte *Verificar a posição paralela da bancada de corte na página 108.*
20. Fixe a placa de base para o pé direito.

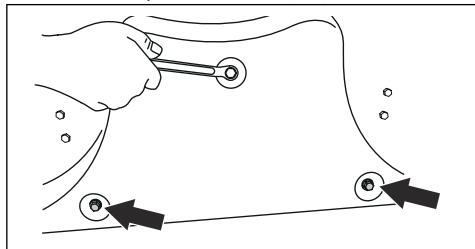
Retirar o adaptador BioClip

- Retire o adaptador BioClip para alterar uma plataforma de corte combinada de BioClip para descarga traseira da relva.

Retirar e fixar o adaptador BioClip na plataforma de corte Combi 103, Combi 112, Combi 122

1. Coloque a bancada de corte na posição de manutenção. Consulte *Colocar a plataforma de corte na posição de manutenção na página 108.*

2. Retire os 3 parafusos que fixam o adaptador BioClip e retire o adaptador.



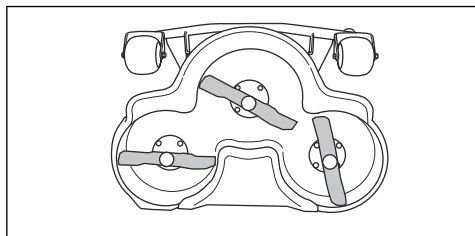
3. Fixe 3 parafusos M8X15 mm nos orifícios dos parafusos para o adaptador BioClip, para impedir danos nas roscas.
4. Coloque a plataforma de corte na posição de corte.
5. Fixe o adaptador BioClip na sequência oposta.

Examinar as lâminas



CUIDADO: As lâminas danificadas ou incorretamente equilibradas podem provocar danos no produto. Substitua as lâminas danificadas. Solicite ajuda numa oficina autorizada para afiar e equilibrar as lâminas rombas.

1. Coloque a bancada de corte na posição de manutenção.
2. Observe as lâminas para verificar se estão danificadas e se é necessário afiá-las.

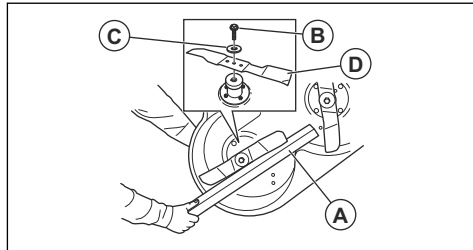


3. Aperte os parafusos das lâminas com um binário de aperto de 75-80 Nm.

Substituir as lâminas

1. Coloque a bancada de corte na posição de manutenção.

2. Bloqueie a lâmina com um bloco de madeira (A).



3. Desaperte e retire o parafuso da lâmina (B), as arruelas (C) e a lâmina (D).
4. Monte a nova lâmina com as extremidades angulares na direção da plataforma de corte.

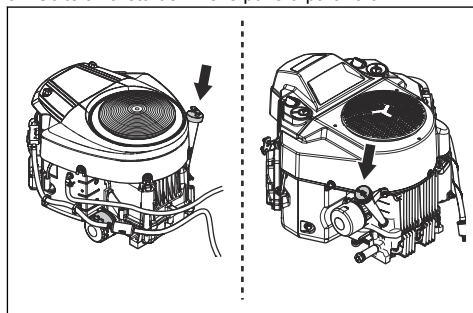


ATENÇÃO: O tipo de lâmina incorreto pode causar a projeção de objetos da bancada de corte e resultar em ferimentos graves. Utilize apenas as lâminas indicadas na secção *Especificações técnicas na página 121.*

5. Fixe a lâmina, a arruela e o parafuso. Aperte o parafuso com um binário de 75-80 Nm.

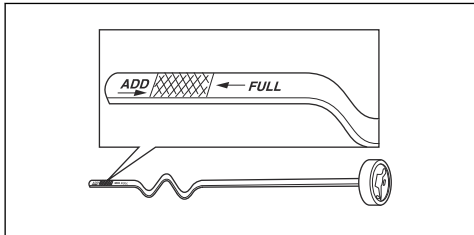
Verificar o nível do óleo de motor

1. Estacione o produto num piso nivelado e pare o motor.
2. Abra a cobertura do motor.
3. Solte a vareta de nível e puxe-a para fora.



4. Limpe o óleo da vareta de nível.
5. Coloque a vareta de nível no respetivo orifício e aperte-a.
6. Solte e puxe a vareta de nível para fora para verificar o nível do óleo.

7. O nível do óleo tem de estar entre as marcas da vareta de nível. Se o nível estiver junto à marca ADD (Adicionar), encha o depósito de óleo até à marca FULL (Cheio).



8. Verta o óleo através do orifício para a vareta. Verta o óleo lentamente.

Nota: Consulte *Especificações técnicas na página 121* para obter os tipos de óleo de motor que recomendamos. Não misture tipos diferentes de óleo.

9. Aperte totalmente a vareta de nível antes de ligar o motor. Ligue o motor e deixe-o ao ralenti durante, aproximadamente, 30 segundos. Desligue o motor. Aguarde 30 segundos e verifique novamente o nível do óleo.

Mudar o óleo de motor e o filtro de óleo R 419TsX AWD

Se o motor estiver frio, ligue o motor durante 1 a 2 minutos antes de drenar o óleo de motor. Isto aquece o óleo de motor e facilita a respetiva drenagem.

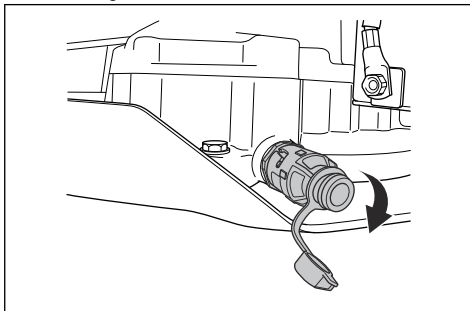


ATENÇÃO: Não coloque o motor em funcionamento durante mais de 1 a 2 minutos antes de drenar o óleo de motor. O óleo do motor fica muito quente e pode causar queimaduras. Deixe o motor arrefecer antes de drenar o óleo de motor.

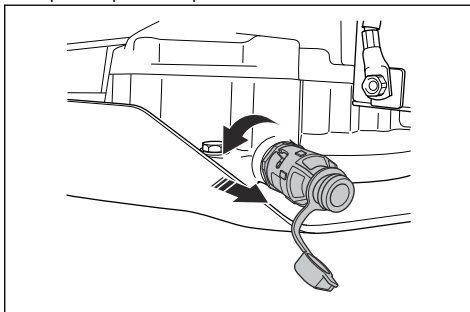


ATENÇÃO: Se derramar óleo de motor no seu corpo, limpe com água e sabão.

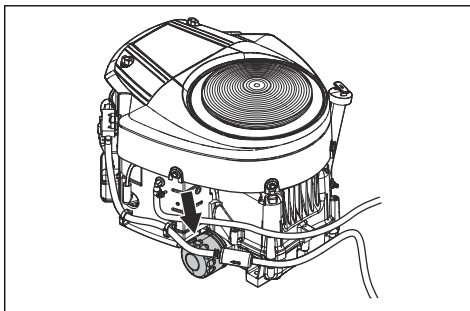
1. Abra o tampão de plástico na extremidade do bujão de drenagem do óleo.



2. Para diminuir o risco de derrames de óleo, ligue uma mangueira ao bujão de drenagem do óleo.
3. Coloque um recipiente sob o bujão de drenagem do óleo.
4. Remova a vareta de nível.
5. Rode o bujão de drenagem do óleo para a esquerda e puxe-o para fora para o abrir.



6. Deixe o óleo escorrer para o recipiente.
7. Empurre o bujão de drenagem do óleo para dentro e rode-o para a direita para o fechar.
8. Retire a mangueira de plástico e coloque a tampa no bujão de drenagem do óleo.
9. Rode o filtro de óleo para a esquerda para o remover.



10. Lubrifique ligeiramente o vedante de borracha do novo filtro de óleo com óleo novo.
11. Para fixar o filtro de óleo, rode-o para a direita até o vedante de borracha estar na devida posição e, em seguida, aperte mais meia volta.
12. Encha o depósito com óleo novo, conforme indicado na secção *Especificações técnicas na página 121*.
13. Ligue o motor e deixe-o ao ralenti durante 3 minutos.
14. Pare o motor e certifique-se de que o filtro de óleo não tem fugas.
15. Verifique o nível do óleo de motor. Consulte *Verificar o nível do óleo de motor na página 111*.
16. Encha com óleo até à marca "FULL" (CHEIO) da vareta de nível do óleo.

Nota: Para a eliminação segura do óleo de motor utilizado, consulte a secção *Eliminação na página 120*.

Mudar o óleo de motor e o filtro de óleo R 420TsX AWD

Se o motor estiver frio, ligue o motor durante 1 a 2 minutos antes de drenar o óleo de motor. Isto aquece o óleo de motor e facilita a respetiva drenagem.

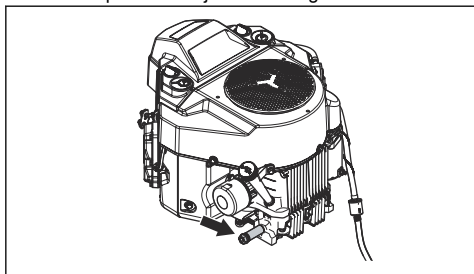


ATENÇÃO: Não coloque o motor em funcionamento durante mais de 1 a 2 minutos antes de drenar o óleo de motor. O óleo do motor fica muito quente e pode causar queimaduras. Deixe o motor arrefecer antes de drenar o óleo de motor.



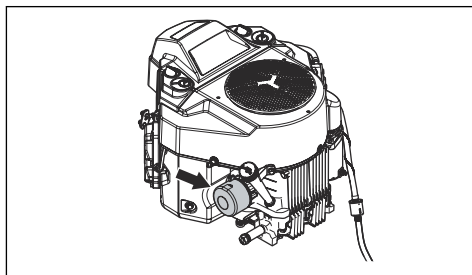
ATENÇÃO: Se derramar óleo de motor no seu corpo, limpe com água e sabão.

1. Coloque um recipiente sob o bujão de drenagem do óleo.
2. Retire a porca no bujão de drenagem do óleo.



3. Remova a vareta de nível.
4. Deixe o óleo escorrer para o recipiente.
5. Empurre o bujão de drenagem do óleo para dentro e rode-o para a direita para o fechar.
6. Fixe a porca no bujão de drenagem do óleo.

7. Rode o filtro de óleo para a esquerda para o remover.



8. Lubrifique ligeiramente o vedante de borracha do novo filtro de óleo com óleo novo.
9. Para fixar o filtro de óleo, rode-o para a direita até o vedante de borracha estar na devida posição e, em seguida, aperte mais meia volta.
10. Encha o depósito com óleo novo, conforme indicado na secção *Especificações técnicas na página 121*.
11. Ligue o motor e deixe-o ao ralenti durante 3 minutos.
12. Pare o motor e certifique-se de que o filtro de óleo não tem fugas.
13. Verifique o nível do óleo de motor. Consulte *Verificar o nível do óleo de motor na página 111*.
14. Encha com óleo até à marca "FULL" (CHEIO) da vareta de nível do óleo.

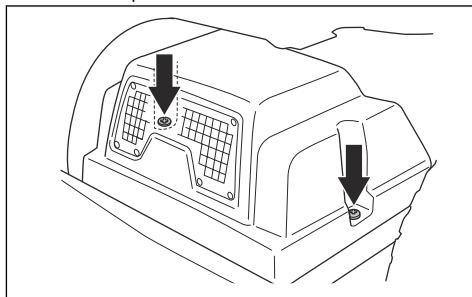
Nota: Para a eliminação segura do óleo de motor utilizado, consulte a secção *Eliminação na página 120*.

Verificar o nível do óleo da transmissão

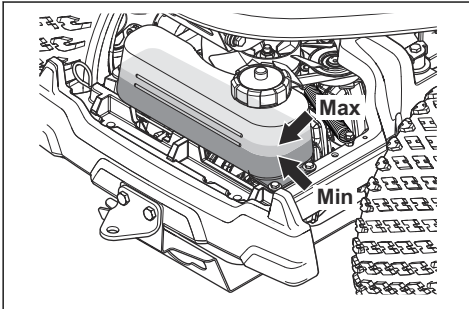


ATENÇÃO: Efetue a verificação do óleo da transmissão quando a transmissão estiver fria.

1. Retire os 2 parafusos e a cobertura da transmissão.



2. Certifique-se de que o nível do óleo no depósito de óleo da transmissão está entre as 2 linhas horizontais do depósito.



3. Encha com óleo de motor se o nível do óleo estiver abaixo da linha inferior, mas não encha se estiver acima da linha superior. Consulte *Especificações técnicas na página 121* para saber qual o óleo recomendado.

Lubrificação, informação geral

- Durante a lubrificação, retire a chave da ignição para impedir movimentos acidentais.
- Utilize óleo de motor quando lubrificar com um recipiente de óleo.
- Quando lubrificar com massa lubrificante, utilize uma massa lubrificante para rolamentos ou para chassis que previna a corrosão. Remova o excesso de massa lubrificante após a lubrificação.
- Lubrifique 2 vezes por semana se utilizar o produto diariamente.
- Não derrame lubrificantes nas correias da transmissão nem nas ranhuras das polias da correia. Se ocorrer um derrame, limpe com álcool. Se a fricção entre a correia de transmissão e a polia não for suficiente após a limpeza com álcool, substitua a correia de transmissão.

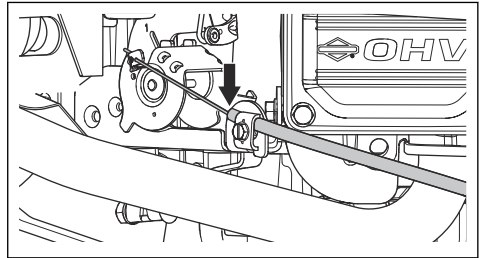


CUIDADO: Não utilize gasolina nem outros derivados de petróleo para limpar as correias da transmissão.

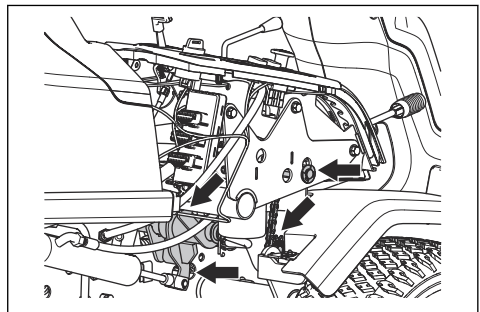
Lubrificar o cabo do acelerador, o cabo do estrangulador e os rolamentos da alavanca

1. Retire a cobertura do lado direito.
2. Abra a cobertura do motor.
3. Lubrifique as extremidades livres dos cabos, bem como as extremidades junto ao motor, com óleo de motor.

4. Desloque o contro do acelerador, o contro do estrangulador e os controlos da plataforma de corte para as posições finais e lubrifique novamente os cabos.



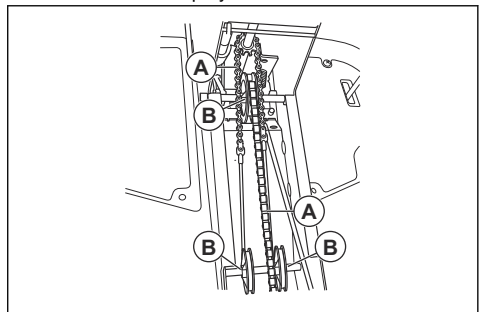
5. Lubrifique as uniões, as linguetas e os rolamentos dos controlos da plataforma de corte com óleo de motor.



6. Prenda a cobertura do lado direito.

Lubrificar as correntes no túnel da estrutura

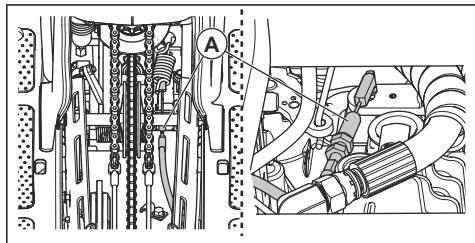
1. Retire os 4 parafusos e a cobertura do túnel da estrutura.
2. Lubrifique as correntes (A) no túnel da estrutura com óleo de motor ou spray lubrificante de correntes.



3. Lubrifique os eixos da polia (B) do cabo da direção com massa lubrificante.

Lubrificar o cabo do travão de estacionamento

1. Retire a cobertura do túnel da estrutura e a cobertura do lado esquerdo. Consulte *Retirar e instalar a cobertura do túnel da estrutura na página 104*.
2. Empurre os revestimentos de borracha (A) na direção das extremidades do cabo do travão de estacionamento.

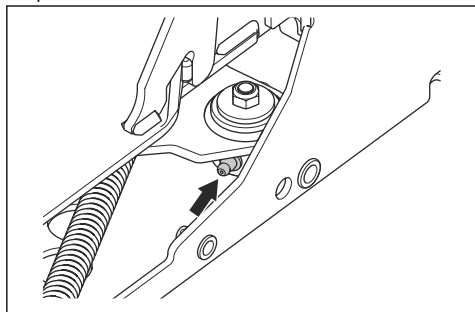


3. Lubrifique as extremidades do cabo do travão de estacionamento com óleo de motor.
4. Pressione o pedal do travão de estacionamento 3 vezes e lubrifique novamente o cabo do travão de estacionamento.
5. Fixe os revestimentos de borracha.
6. Fixe a cobertura lateral esquerda e a placa da estrutura.

Lubrificar o tensor da correia

O tensor da correia tem de ser lubrificado regularmente com uma massa lubrificante de dissulfureto de molibdénio de boa qualidade.

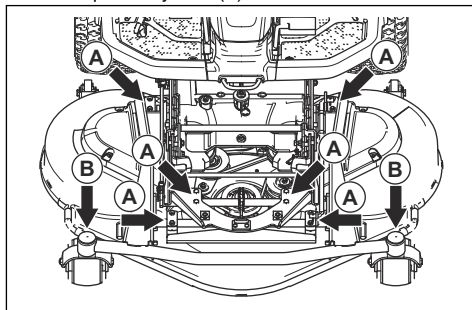
1. Retire a cobertura da correia inferior. Consulte *Retirar as coberturas da correia inferior na página 105*.
2. Lubrifique com uma bomba de massa lubrificante através do bocal no lado direito, debaixo da polia inferior. Lubrifique até a massa lubrificante sair pela parte traseira do bocal.



3. Fixe a cobertura da correia e aperte os 5 parafusos.

Lubrificar a plataforma de corte

1. Retire a cobertura dianteira.
2. Lubrifique as 6 juntas (A) com óleo de motor.



3. Utilizando uma bomba de massa lubrificante, lubrifique através do bocal nos rolamentos da roda pivô da plataforma de corte (B). Lubrifique até a massa lubrificante sair pela parte traseira do bocal.

Resolução de problemas




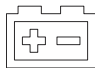

Esquema de resolução de problemas





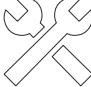



Se não encontrar uma solução para os seus problemas neste manual do operador, contacte uma oficina autorizada Husqvarna.

Problema	Causa
O motor de arranque não inverte o motor	O travão de estacionamento não está aplicado. Consulte <i>Aplicar e soltar o travão de estacionamento na página 99.</i>
	O acionamento das lâminas é ativado. Consulte <i>Botão da TDF (tomada de força) na página 86.</i>
	Há um fusível fundido. Consulte <i>Substituir os fusíveis na página 106.</i>
	A chave de ignição está defeituosa.
	Má ligação entre o cabo e a bateria. Consulte <i>Segurança da bateria na página 95.</i>
	A bateria está demasiado fraca. Consulte <i>Carregar a bateria na página 107.</i>
O motor de arranque está defeituoso.	
O motor não arranca quando o motor de arranque inverte o motor	Não há combustível no depósito de combustível. Consulte <i>Encher o depósito de combustível na página 98.</i>
	A vela de ignição está defeituosa.
	O cabo de ignição está defeituoso.
	Existe sujidade no carburador ou na linha de combustível.
O motor não funciona regularmente	A vela de ignição está defeituosa.
	O carburador não está bem colocado.
	O filtro de ar está obstruído. Consulte <i>Limpar e substituir o filtro de ar na página 106.</i>
	Existe sujidade no carburador ou na linha de combustível.
Aparentemente, o motor não tem potência	O filtro de ar está obstruído. Consulte <i>Limpar e substituir o filtro de ar na página 106.</i>
	A vela de ignição está defeituosa.
	Existe sujidade no carburador ou na linha de combustível.
	O cabo do acelerador está ajustado incorretamente.
A transmissão não tem potência suficiente	A admissão de ar frio da transmissão ou as aletas de arrefecimento estão obstruídas.
	A ventoinha da transmissão está danificada.
	Não existe óleo na transmissão ou o nível do óleo está demasiado baixo. Consulte <i>Verificar o nível do óleo da transmissão na página 113.</i>
A bateria não carrega	A bateria está defeituosa. Consulte <i>Carregar a bateria na página 107.</i>
	Má ligação nos conectores de cabos nos terminais da bateria. Consulte <i>Carregar a bateria na página 107.</i>

Problema	Causa
O produto vibra	As lâminas, a polia ou outras peças rotativas estão soltas. Consulte <i>Manutenção na página 101</i> .
	Uma ou mais lâminas estão desequilibradas. Consulte <i>Examinar as lâminas na página 111</i> .
	O motor está solto.
O resultado de corte não é satisfatório	As lâminas estão rombas. Consulte <i>Substituir as lâminas na página 111</i> .
	A relva é comprida ou está molhada. Consulte <i>Obter bons resultados de corte na página 101</i> .
	A plataforma de corte está danificada e não se encontra paralela ao solo.
	Existe uma obstrução de relva na bancada de corte. Consulte <i>Limpar o produto na página 102</i> .
	A pressão dos pneus é diferente nos lados esquerdo e direito. Consulte <i>Pressão dos pneus na página 107</i> .
	O produto é utilizado a uma velocidade demasiado elevada. Consulte <i>Obter bons resultados de corte na página 101</i> .
	A velocidade do motor é demasiado baixa. Consulte <i>Obter bons resultados de corte na página 101</i> .
	A correia da transmissão solta-se das polias.

Visor - Resolução de problemas

Símbolo	Nome	Como é apresentado no visor	Som	Causa
	Indicador de declive	O símbolo é apresentado.	-	Utiliza o produto num declive >10°. Consulte <i>Cortar relva em declives na página 94</i> .
		O símbolo fica intermitente.	-	Utiliza o produto num declive >15°. Consulte <i>Cortar relva em declives na página 94</i> .
	Indicador da temperatura do óleo da transmissão	O símbolo é apresentado.	1 sinal sonoro longo.	A temperatura do óleo da transmissão está demasiado alta.
		O símbolo pisca rapidamente.	-	Contacte o seu revendedor de assistência Husqvarna.
	Sensor da pressão do óleo	O símbolo é apresentado.	1 sinal sonoro longo.	Baixa pressão do óleo. Consulte <i>Verificar o nível do óleo de motor na página 111</i> .
	Indicador de nível da bateria	O símbolo é apresentado.	1 sinal sonoro longo.	Baixa tensão. Consulte <i>Carregar a bateria na página 107</i> .
	Indicador da plataforma de corte	O símbolo fica intermitente.	5 sinais sonoros curtos.	A plataforma de corte não está fixa e o botão da TDF está ativado. Consulte <i>Fixar a bancada de corte na página 96</i> .

Símbolo	Nome	Como é apresentado no visor	Som	Causa
	Indicador do botão da TDF	O símbolo é apresentado.	-	Botão da TDF ativado. Consulte <i>Condições de funcionamento na página 93</i> .
		O símbolo fica intermitente.		Procedimento de arranque incorreto. Consulte <i>Condições de funcionamento na página 93</i> .
		O símbolo pisca rapidamente.		Botão da TDF defeituoso. Contacte o seu revendedor de assistência Husqvarna.
	Indicador do travão de estacionamento	O símbolo é apresentado.	-	Travão de estacionamento engatado. Consulte <i>Aplicar e soltar o travão de estacionamento na página 99</i> .
		O símbolo fica intermitente.		Procedimento de arranque incorreto. Consulte <i>Condições de funcionamento na página 93</i> .
		O símbolo pisca rapidamente.		Travão de estacionamento com defeito. Contacte o seu revendedor de assistência Husqvarna.
	Indicador do OPC	O símbolo fica intermitente.	5 sinais sonoros curtos.	Microinterruptor do banco desativado quando tentar ligar o motor. Consulte <i>Condições de funcionamento na página 93</i> .
		O símbolo pisca rapidamente.	-	Microinterruptor do banco com defeito. Contacte o seu revendedor de assistência Husqvarna.
	Transferência de peso	O símbolo é apresentado.	-	A alavanca de transferência de peso está desengatada.
	Indicador de assistência	O símbolo é apresentado.	5 sinais sonoros curtos.	É necessária assistência. Contacte o seu revendedor de assistência Husqvarna.
	Indicador de nível de combustível	O símbolo é apresentado.	1 sinal sonoro curto.	Combustível baixo. Consulte <i>Encher o depósito de combustível na página 98</i> .
	Função Bluetooth®	O símbolo fica intermitente.	-	O produto está bloqueado. Desbloqueie o produto com a aplicação Husqvarna Connect.
	Bloqueio digital	O símbolo é apresentado.	-	O produto está bloqueado. Desbloqueie o produto com a aplicação Husqvarna Connect.

Nota: Os símbolos e as suas posições no visor podem ser diferentes consoante o modelo.

Transporte, armazenamento e eliminação

Transporte

- O produto é pesado e pode causar ferimentos graves por esmagamento. Tenha cuidado ao carregá-lo e descarregá-lo de um veículo ou reboque.
- Utilize um reboque aprovado para o transporte do produto.
- Certifique-se de que conhece as regras de trânsito locais antes de transportar o produto num reboque ou em estradas.

Fixar o produto em segurança num reboque para transportar

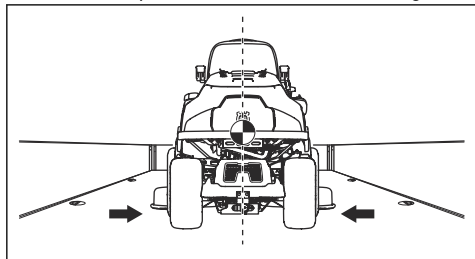
Antes de fixar o produto, tem de ler e compreender o capítulo sobre segurança. Consulte *Segurança na página 91*.



ATENÇÃO: O travão de estacionamento não é suficiente para bloquear o produto durante o transporte. Fixe o produto com firmeza na área de carga.

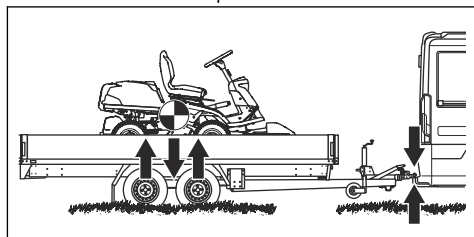
Equipamento: 2 cintas aprovadas e 4 calços de rodas em forma de cunha.

1. Estacione o produto no centro da área de carga.

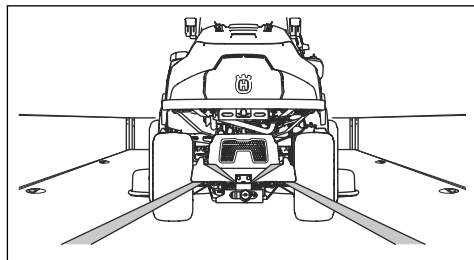


ATENÇÃO: No caso de veículos de transporte com cobertura, aguarde que o produto arrefeça antes de o colocar por baixo da cobertura.

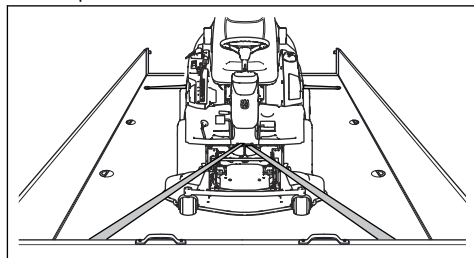
2. Certifique-se de que o centro de gravidade do produto está acima do eixo das rodas do veículo de transporte. Se for utilizado um reboque para transporte, certifique-se de que a força descendente na sua barra de reboque é a correta.



3. Aplique o travão de estacionamento.
4. Bloqueie o produto com a aplicação Husqvarna Connect.
5. Baixe a plataforma de corte até à posição de corte.
6. Retire todos os objetos soltos.
7. Monte a primeira cinta através da estrutura da transmissão traseira.

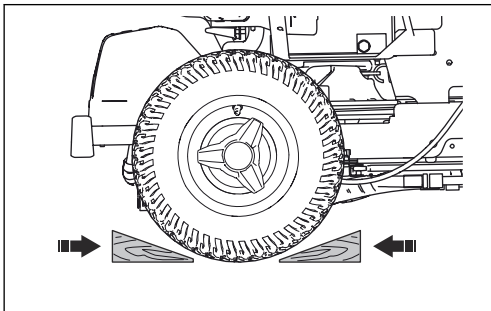


8. Aperte a cinta para trás.
9. Coloque a segunda cinta através do ilhé de transporte.



10. Fixe a cinta na área de carga.
11. Aperte a cinta na direção da dianteira da área de carga.

12. Coloque os calços de rodas em frente e atrás das rodas traseiras.



- Limpe o produto; consulte *Limpar o produto* na página 102. Repare os danos na pintura para prevenir a corrosão.
- Examine o produto quanto a peças gastas ou danificadas e aperte as porcas e os parafusos soltos.
- Retire a bateria. Limpe-a, carregue-a e mantenha-a a uma temperatura baixa durante o armazenamento.
- Mude o óleo de motor e elimine o óleo usado.
- Esvazie o depósito de combustível. Ligue o motor e deixe-o trabalhar até não existir combustível no carburador.

Nota: Não esvazie o depósito de combustível e o carburador se tiver adicionado um estabilizador.

- Remova as velas e coloque, aproximadamente, uma colher de sopa de óleo de motor em cada cilindro. Rode manualmente o eixo do motor para aplicar o óleo e volte a colocar as velas.
- Lubrifique todos os copos de lubrificação, juntas e eixos.
- Guarde o produto numa área limpa e seca e cubra-o para proporcionar mais proteção.
- Pode adquirir uma cobertura de proteção para o produto durante o armazenamento ou o transporte no seu concessionário.

Rebocar o produto

O produto tem uma transmissão hidrostática. Para evitar danos na transmissão, reboque o produto a baixa velocidade e apenas em distâncias curtas.

Desengate a transmissão antes de rebocar o produto. Consulte *Ativar e desativar o sistema de acionamento* na página 99.

Armazenamento

Prepare o produto para armazenamento no final da estação e antes de mais de 30 dias de armazenamento. Se mantiver o combustível no depósito de combustível durante 30 dias ou mais, a aderência de partículas pode causar obstruções no carburador. Tal tem um efeito negativo no funcionamento do motor.

Para evitar a aderência de partículas durante o armazenamento, adicione um estabilizador. Se utilizar uma gasolina com base em alquilatos, não é necessário um estabilizador. Se utilizar gasolina normal, não mude para gasolina com alquilatos. Tal pode fazer com que as peças de borracha sensíveis se tornem rígidas. Adicione estabilizador ao combustível no depósito ou no recipiente utilizado para o armazenamento. Utilize sempre as proporções de mistura indicadas pelo fabricante. Coloque o motor em funcionamento durante, pelo menos, 10 minutos após a adição do estabilizador, até que este flua para o carburador.

Eliminação

- Os produtos químicos podem ser perigosos e não podem ser eliminados no solo. Elimine sempre os químicos usados num centro de assistência ou numa localização de eliminação aplicável.
- Quando o produto estiver gasto, proceda ao respetivo envio para o concessionário ou para uma localização de reciclagem adequada.
- O óleo, os filtros de óleo, o combustível e a bateria podem ter efeitos negativos no meio ambiente. Respeite os requisitos de reciclagem locais e os regulamentos aplicáveis.
- Não elimine a bateria como um lixo doméstico.
- Envie a bateria para uma oficina autorizada Husqvarna ou elimine-a numa localização de eliminação de baterias usadas.



ATENÇÃO: Não mantenha o produto com combustível no depósito em espaços interiores ou em locais pouco ventilados. Risco de incêndio se os fumos do combustível se aproximarem de chamas abertas, faíscas ou luzes piloto, por exemplo, caldeiras, reservatórios de água quente e secadores de vestuário.



ATENÇÃO: Remova a relva, as folhas e outros materiais inflamáveis do produto para reduzir o risco de incêndio. Deixe o produto arrefecer antes de o armazenar.

Especificações técnicas

Especificações técnicas

	R 419TsX AWD	R 420TsX AWD
Dimensões		
Comprimento sem bancada de corte, mm	2116	2116
Largura sem bancada de corte, mm	964	964
Altura, mm	1178	1178
Peso sem bancada de corte e com depósitos vazios, kg	304	316
Distância entre rodas, mm	958	958
Largura dos trilhos, dianteiros, mm	760	760
Largura dos trilhos, traseiros, mm	723	723
Dimensões dos pneus	200/65 - 8	200/65 - 8
Pressão dos pneus, traseiros – dianteiros, kPa/bar/PSI	80/0,8/12,0	80/0,8/12,0
Declive máx., graus °	10	10
Peso máx. do equipamento de reboque, kg	150	150
Motor		
Marca/Modelo	Briggs & Stratton/M40 Endurance 7200	Kawasaki FS651V
Potência nominal do motor, kW ¹⁴	11,8	14,0
Deslocamento, cm ³	656	726
Rotação máxima do motor, r/min.	2900 ± 100	3000 ± 100
Combustível, índice de octanas mín. sem chumbo, máx. 10% de Etanol	91	91
Volume do depósito, litros	17	17
Óleo	Classe SF, SG, SH ou SJ SAE40, SAE30, SAE10W-30, SAE10W-40 ou SAE5W-20	Classe SF, SG, SH ou SJ SAE40, SAE30, SAE10W-30, SAE10W-40 ou SAE5W-20
Volume de óleo incluindo filtro, litros	1,9	2,1
Volume de óleo excluindo filtro, litros	1,8	1,8
Motor de arranque	Arranque elétrico de 12 V	Arranque elétrico de 12 V
Transmissão		
Marca	Tuff Torq	Tuff Torq
Modelo	K664M/KTM10T	K664M/KTM10T

¹⁴ A potência nominal do motor indicado é a potência líquida média (a um valor de rpm especificado) de um motor de produção típico do modelo de motor avaliado de acordo com a norma J1349/ISO1585 da SAE. Motores produzidos em série poderão divergir deste valor. A potência real do motor instalado no produto final dependerá da velocidade de operação, das condições ambientais e de outros parâmetros.

	R 419TsX AWD	R 420TsX AWD
Óleo, classe SF-CC	SAE 10W/50 Synthetic	SAE 10W/50 Synthetic
Sistema elétrico		
Tipo	12 V, ligação à terra negativa	12 V, ligação à terra negativa
Bateria	12 V, 24 Ah	12 V, 24 Ah
Vela de ignição	Champion XC92YC	NGK BPR4ES
Distância entre os eletrodos, mm/pol.	0,75/0,030	0,75/0,030
Bancada de corte		
Tipo	Combi 103	Combi 103
	Combi 112	Combi 112
		Combi 122

Emissões de ruído ¹⁵	R 419TsX AWD	R 420TsX AWD
Nível de potência sonora, dB(A) medidos		
Combi 103	99	99
Combi 112	98	97
Combi 122	-	101
Nível de potência sonora, dB(A) garantidos		
Combi 103	100	100
Combi 112	99	98
Combi 122	-	102

Níveis acústicos ¹⁶	R 419TsX AWD	R 420TsX AWD
Nível de pressão sonora ao nível do ouvido do operador, dB(A)		
Combi 103	84	84
Combi 112	83	82
Combi 122	-	87

¹⁵ Emissões de ruído para as imediações, medidas sob forma de potência sonora (L_{WA}) em conformidade com a diretiva da CE 2000/14/CE.

¹⁶ Nível de pressão sonora em conformidade com a norma EN ISO 5395. Os dados comunicados relativamente ao nível de pressão de ruído têm uma dispersão estatística típica (desvio padrão) de 1,2 dB(A).

	R 419TsX AWD	R 420TsX AWD
Níveis de vibração¹⁷		
Nível de vibração no volante, m/s ²	2,35	2,67
Nível de vibração no banco, m/s ²	0,17	0,15

Bancada de corte	Combi 103	Combi 112	Combi 122
Largura de corte, mm	1030	1120	1220
Altura de corte, mm	25-75	25-75	25-75
Peso, kg	63	66	73
Comprimento das lâminas, mm	388	420	454
Lâmina			
Número do artigo	504 19 04-10	544 10 27-10	535 42 94-10



ATENÇÃO: Utilizar uma bancada de corte que não esteja aprovada para o produto pode provocar a projeção de objetos a velocidades elevadas e causar ferimentos

graves. Não utilize outros tipos de plataforma de corte que não os especificados neste manual.

Dados de frequência de rádio

	R 419TsX AWD	R 420TsX AWD
Gama de frequência, MHz	2402-2480	2402-2480
Potência de saída ¹⁸ , dBm	-2.4	-2.4

Assistência

Assistência

Efetue uma verificação anual num centro de assistência autorizado para se certificar de que o produto funciona em segurança e nas melhores condições durante a estação de grande utilização. A melhor altura para a manutenção ou revisão geral do produto é a época baixa.

Quando fizer uma encomenda de peças sobresselentes, forneça informações sobre o ano de compra, o modelo, o tipo e o número de série.

Utilize sempre peças sobresselentes originais.

¹⁷ Nível de vibração em conformidade com a norma EN ISO 5395. Os dados comunicados relativas ao nível de vibração têm uma dispersão estatística típica (desvio padrão) de 0,2 m/s² (volante) e 0,8 m/s² (banco).

¹⁸ Medida a 2440 MHz.

Garantia da transmissão

A garantia da transmissão apenas se aplica se forem efetuadas verificações da velocidade das rodas dianteiras e traseiras conforme especificadas no esquema de manutenção. Para prevenir danos no sistema da transmissão, solicite o respetivo ajuste numa oficina aprovada.

Declaração CE de conformidade

Declaração CE de conformidade

A **Husqvarna AB**, SE-561 82 Huskvarna, Suécia, tel: +46-36-146500, declara que os **tratores corta relva Husqvarna R 419TsX AWD e R 420TsX AWD**, com números de série de 2019 e seguintes (o ano está claramente indicado em texto simples na etiqueta de tipo, seguido do número de série), estão em conformidade com o estipulado na DIRETIVA DO CONSELHO:

- de 17 de maio de 2006, "referente a máquinas" **2006/42/CE**.
- de 8 de maio de 2000, "referente a emissões de ruído para o ambiente" **2000/14/CE**.
- de 8 de junho de 2011 relativa à "restrição do uso de determinadas substâncias perigosas" **2011/65/UE**
- de 16 de Abril de 2014, referente ao "equipamento de rádio" **2014/53/UE**.

Para obter informações relativas às emissões de ruído e a largura de corte; consulte as Especificações técnicas.

Foram respeitadas as seguintes normas uniformizadas:

EN ISO 12100, EN ISO 5395-1, EN ISO 5395-3, EN ISO 14982, EN 300 328, EN 50581

Salvo indicação em contrário, as normas apresentadas acima são as versões publicadas mais recentes.

Entidade competente: **0404, RISE SMP Svensk Maskinprovning AB, Box 7035, SE-750 07 Uppsala**

emitiu relatórios relativos à avaliação de conformidade de acordo com o anexo VI da DIRETIVA DO CONSELHO de 8 de maio de 2000 "referente a emissões de ruído para o ambiente " 2000/14/CE.

Os certificados têm os números: 01/901/317, 01/901/318, 01/901/319

Huskvarna, 2019-03-01



Claes Losdal, Chefe de Desenvolvimento/Produtos de Jardinagem (representante autorizado da Husqvarna AB e responsável pela documentação técnica)

Marcas comerciais registadas

A palavra e os logótipos *Bluetooth®* são marcas comerciais registadas propriedade da *Bluetooth SIG, inc.* e qualquer utilização de tais marcas pela Husqvarna é feita mediante licença.

Sommario

Introduzione.....	126	Trasporto, stoccaggio e smaltimento.....	160
Sicurezza.....	133	Dati tecnici.....	163
Montaggio.....	138	Assistenza.....	165
Funzionamento.....	140	Garanzia.....	166
Manutenzione.....	143	Dichiarazione CE di conformità.....	167
Anomalie di funzionamento.....	157	Marchi registrati.....	167

Introduzione

Ispezione di preconsegna e numeri di prodotto

firmata del documento di ispezione pre-consegna dal rivenditore.

Nota: Un'ispezione di preconsegna è stata effettuata per questo prodotto. Assicurarsi di ricevere una copia

Informazioni di contatto dell'officina:	
Il presente manuale operatore si riferisce al prodotto con codice/numero di serie:	
/	
Motore:	
Trasmissione:	

Descrizione del prodotto

I modelli R 419TsX AWD e R 420TsX AWD sono trattorini rasaerba. I pedali di marcia avanti e retromarcia consentono all'operatore di regolare la velocità senza interruzioni. R 419TsX AWD e R 420TsX AWD sono dotati di trazione integrale (AWD) e di un contaore che indica per quante ore l'operatore ha utilizzato il prodotto. I prodotti sono dotati di fari anteriori, un'area di stoccaggio e una barra di traino. I prodotti sono utilizzati con piatti di taglio Combi con BioClip.

Uso previsto

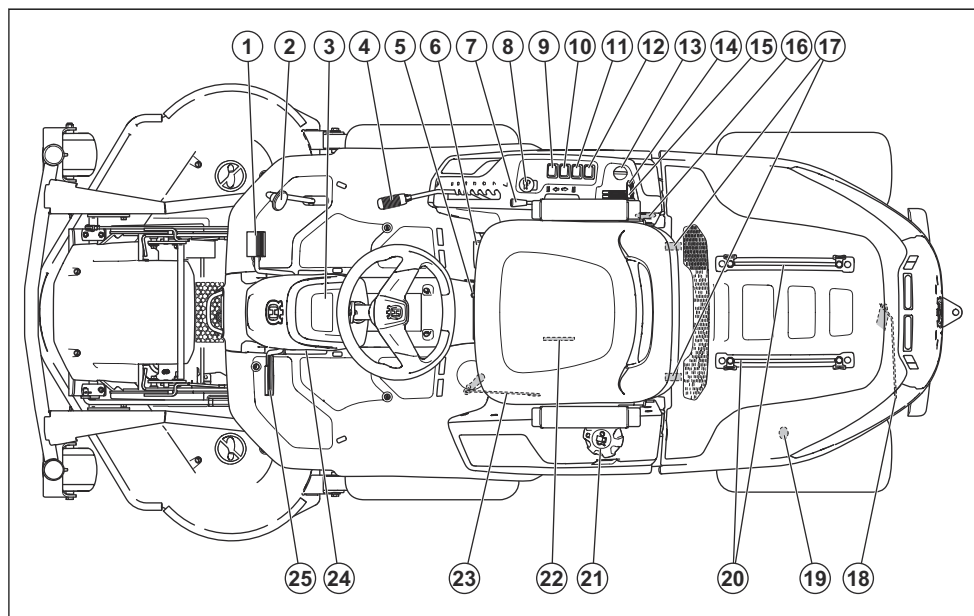
Il prodotto è concepito per falciare l'erba su terreni piani e aperti in aree residenziali e giardini. Montare un

accessorio opzionale per usare il prodotto per altre attività. Rivolgersi al proprio rivenditore Husqvarna per maggiori informazioni sulla disponibilità dei singoli accessori.

Assicurazione del prodotto

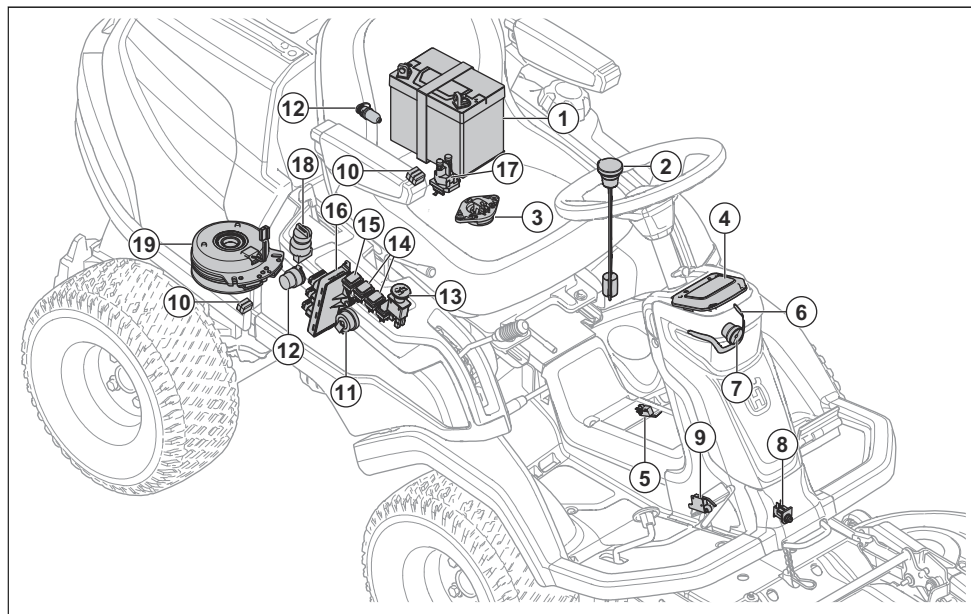
Accertarsi di disporre della copertura assicurativa per il nuovo prodotto. Contattare la propria compagnia assicurativa se non si è sicuri di disporre della copertura. Si raccomanda un'assicurazione completa che copra lesioni contro terzi, incendio, danni, furto e responsabilità civile.

Panoramica del prodotto



- | | |
|---|--|
| 1. Pedale di marcia avanti | 14. Leva dell'acceleratore |
| 2. Pedale di retromarcia | 15. Leva del comando dell'aria, R 420TsX AWD |
| 3. Display | 16. Presa di corrente 12 V |
| 4. Leva altezza di taglio | 17. Fermi del cofano del motore |
| 5. Leva di regolazione del sedile | 18. Leva per inserire o disinserire la trasmissione sull'assale posteriore |
| 6. Leva di trasferimento peso | 19. Presa di corrente 12 V posteriore |
| 7. Leva di sollevamento per il piatto di taglio | 20. Guide per l'area di stoccaggio |
| 8. Pulsante PTO | 21. Tappo del serbatoio del carburante |
| 9. Selettore di funzione presa di corrente posteriore | 22. Targhetta versione con codici di scansione |
| 10. Interruttore presa di corrente posteriore | 23. Leva per inserire o disinserire la trasmissione sull'assale anteriore |
| 11. Interruttore per la presa di corrente sul pannello di controllo di destra | 24. Pulsante di bloccaggio per il freno di stazionamento |
| 12. Interruttore di corrente dei fari anteriori | 25. Freno di stazionamento e pedale del freno di servizio |
| 13. Chiave di accensione | |

Panoramica dell'impianto elettrico



1. Batteria
2. Sensore del carburante
3. Controllo presenza operatore (OPC)
4. Display
5. Sensore di trasferimento peso
6. Luce di lavoro
7. Luce abbagliante
8. Sensore del piatto di taglio
9. Microinterruttore, freno di stazionamento
10. Fusibili
11. Cicalino
12. Presa di corrente
13. Pulsante PTO
14. Interruttore prese di corrente
15. Interruttore di corrente dei fari anteriori
16. Modulo di controllo del rasaerba
17. Elettrovalvola avviamento
18. Chiave di accensione
19. Frizione PTO

Modulo di controllo del rasaerba

Il prodotto dispone di un modulo di controllo del rasaerba che fornisce all'operatore le informazioni relative al prodotto. Le informazioni vengono visualizzate sul display del pannello strumenti. Vedere *Display alla pagina 131*.

Il modulo di comando del rasaerba permette al rivenditore di collegarsi al prodotto per l'assistenza.

Husqvarna Connect

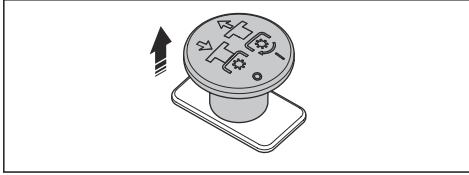
Il prodotto è dotato di tecnologia wireless *Bluetooth®* e può collegarsi a dispositivi portatili che hanno l'applicazione Husqvarna Connect installata. L'app Husqvarna Connect è un'app gratuita per dispositivi mobili. L'app Husqvarna Connect fornisce funzioni estese per il prodotto Husqvarna:

- Funzione di blocco e sblocco per evitare l'utilizzo non approvato del prodotto.
- Informazioni aggiuntive sul prodotto.
- Dettagli, guida, parti del prodotto e manutenzione.

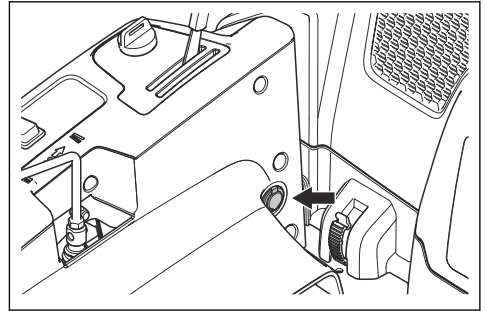
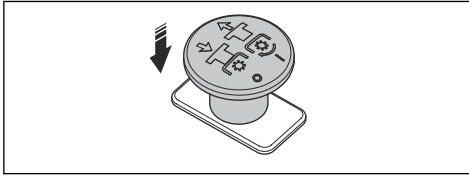
Pulsante PTO (presa di forza)

Il pulsante PTO inserisce e disinserisce la rotazione delle lame sul piatto di taglio. È necessario rispettare le corrette condizioni di avviamento per inserire la rotazione delle lame. Vedere *Condizioni operative alla pagina 135*.

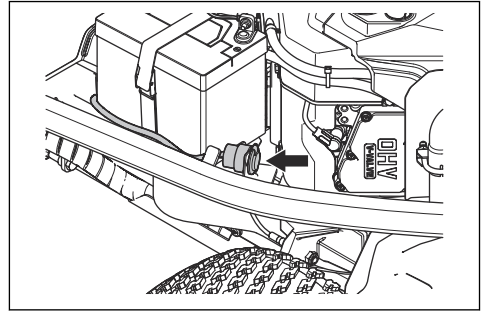
- Tirare il pulsante PTO per inserire la rotazione delle lame del piatto di taglio.



- Spingere il pulsante PTO per disinserire la rotazione delle lame del piatto di taglio.



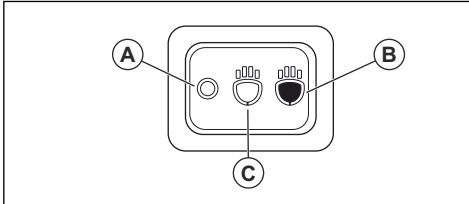
La presa di corrente nel vano motore ha una tensione di 12 V.



Fari anteriori

I fari anteriori sono dotati di luce di lavoro e luci abbaglianti.

Premere l'interruttore di corrente per accendere (B) o spegnere (A) le luci di lavoro. Premere l'interruttore di corrente per accendere (C) o spegnere (A) le luci abbaglianti e la luce di lavoro.

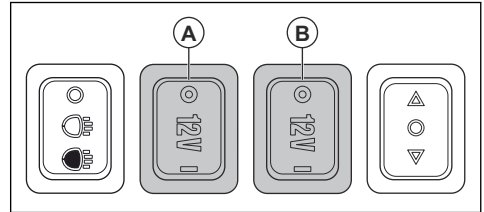


La luce di lavoro rimane accesa per 3 minuti dopo lo spegnimento del prodotto. Quando i fari sono accesi, il display mostra il relativo simbolo. Vedere *Display alla pagina 131*.

Presenza di corrente

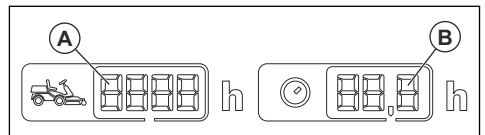
Il prodotto è dotato di 2 prese di corrente. La presa di corrente sul pannello di controllo di destra accanto al sedile ha una tensione di 12 V.

- Premere l'interruttore di corrente (A) per impostare la presa di corrente nel vano motore su ON o OFF.
- Premere l'interruttore di corrente (B) per impostare la presa di corrente sul pannello di controllo di destra su ON o OFF.



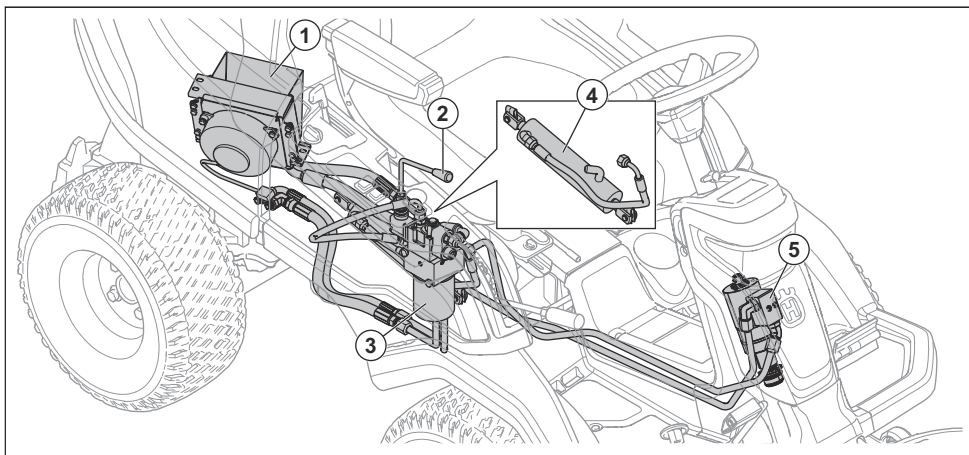
Contaore

Il prodotto è dotato di 2 contaore sul display. Il contaore mostra il totale delle ore di funzionamento del motore (A) e il periodo di esercizio (B). Un nuovo periodo di esercizio inizia se il motore è spento per almeno 6 ore.



Il tempo con l'accensione inserita ma con il motore spento non viene registrato. L'ultima cifra mostra un decimo di ora (6 minuti).

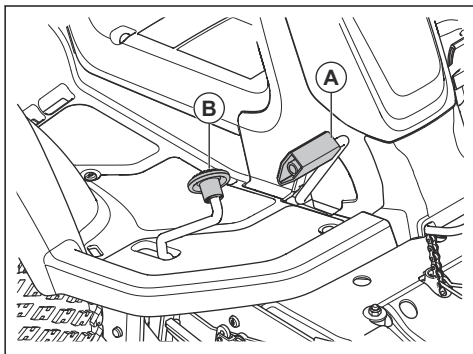
Panoramica dell'impianto idraulico



1. Radiatore olio idraulico
2. Leva di sollevamento
3. Filtro dell'olio
4. Cilindro
5. Unità sterzo centrale

Pedali di marcia avanti e retromarcia

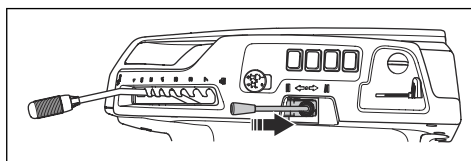
La velocità viene regolata continuamente con 2 pedali. Il pedale sinistro (A) serve per la marcia avanti, il pedale destro (B) per la marcia indietro. Il prodotto frena quando i pedali vengono rilasciati.



Solleverare la leva per il sollevamento idraulico del piatto di taglio

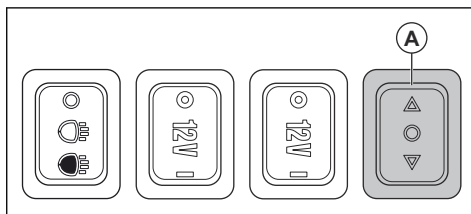
La leva di sollevamento controlla il sollevamento idraulico. Utilizzare il sollevamento idraulico per sollevare il piatto di taglio in posizione di trasporto e abbassarlo in posizione di falciatura. Il sollevatore

idraulico utilizza la pressione idraulica, per cui per azionare il sollevamento è necessario avviare il motore.



Selettore di funzione presa di corrente posteriore

L'interruttore (A) viene utilizzato per attivare alcuni degli accessori omologati collegati alla presa di corrente posteriore. L'interruttore ha diverse funzioni in base al tipo di accessori. Fare riferimento al Manuale dell'operatore per l'accessorio.

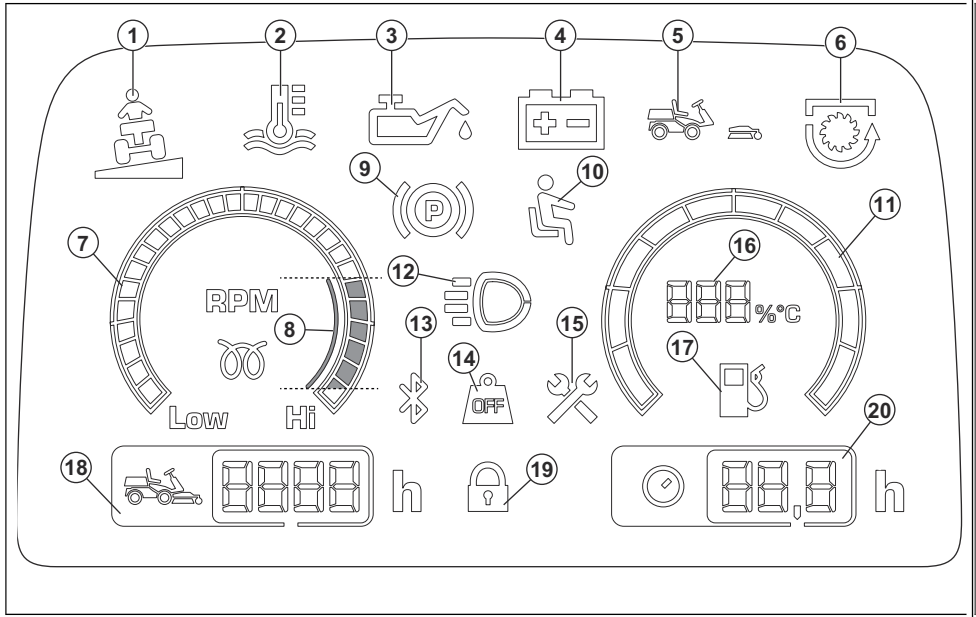


Piatto di taglio

I piatti di taglio per questo prodotto sono piatti di taglio Combi con BioClip. BioClip taglia l'erba trasformandola in concime. I piatti di taglio Combi possono essere utilizzati anche senza BioClip. Senza BioClip, l'erba è espulsa nella parte posteriore.

Display

Il display del pannello strumenti visualizza informazioni sullo stato del prodotto.



1. Spia di pendenza
2. Spia temperatura olio idraulico
3. Spia pressione olio
4. Spia livello batteria
5. Spia presenza piatto di taglio
6. Spia PTO
7. Tachimetro
8. Utilizzare il regime motore raccomandato quando si lavora con questo prodotto.
9. Spia freno di stazionamento
10. Controllo presenza operatore (OPC)
11. Spia carburante
12. Spia luce di lavoro o luci abbaglianti
13. Bluetooth®
14. Trasferimento peso disinserito
15. Spia di manutenzione
16. Spia carburante con incrementi del 10%
17. Spia basso livello di carburante.
18. Tempo di marcia totale
19. Blocco digitale
20. Tempo di esercizio

Nota: L'aspetto del display può essere diverso a seconda dei modelli.

Simboli riportati sul prodotto



ATTENZIONE: l'uso improprio del mezzo può provocare lesioni gravi o fatali all'operatore o alle persone circostanti.



Prima dell'uso, leggere attentamente il Manuale dell'operatore e accertarsi di aver compreso le istruzioni.



Lame rotanti. Non avvicinarsi.



Avvertenza: componenti rotanti. Non avvicinarsi.



Prestare attenzione a oggetti espulsi o rimbalzati.



Non utilizzare mai il prodotto se persone, in particolar modo bambini, o animali si trovano nelle vicinanze.



Guardare all'indietro prima e durante lo spostamento del prodotto in retromarcia.



Non tagliare l'erba in presenza di una pendenza. Non tagliare l'erba su superfici con pendenze superiori al 10°. Vedere *Taglio dell'erba in pendenza alla pagina 136*.



Non trasportare mai passeggeri sul prodotto o l'apparecchiatura.



Spostarsi in avanti.

N

Cambio in folle.



Spostarsi in retromarcia.



Freno di stazionamento.



Questo prodotto è conforme alle direttive CE in vigore.



Emissioni di rumore nell'ambiente conformi alla direttiva della Comunità Europea. Le emissioni del prodotto sono indicate nel capitolo Dati tecnici e sull'etichetta.



Indossare sempre protezioni acustiche approvate.



Trasferimento peso disinserito.



Trasferimento peso inserito.



Spegnere il motore.

START

Avviare il motore.



Regime motore: alto.



Regime motore: basso.



Carburante.



Contenuto massimo di etanolo 10%.



Altezza di taglio.



La posizione di servizio per la leva dell'altezza di taglio.



Le lame sono inserite.



Le lame sono disinserite.



Posizione di trasporto per il piatto di taglio.



Posizione di funzionamento del piatto di taglio.



Inserire e disinserire il sistema di trasmissione.



Livello dell'olio.

Nota: Altri simboli o decalcomanie sul prodotto riguardano particolari requisiti necessari per la certificazione in determinate aree commerciali.

UE V



AVVERTENZA: La manomissione del motore rende nulla l'omologazione UE del prodotto.

Responsabilità del prodotto

Come indicato nelle leggi vigenti in materia di responsabilità obbligatoria sul prodotto, non siamo responsabili per eventuali danni causati dal nostro prodotto se:

- Il prodotto viene riparato in modo errato.
- Il prodotto viene riparato con parti che non provengono o non sono omologate dal produttore.

- Il prodotto contiene un accessorio che non proviene o non è omologato dal produttore.
- Il prodotto non viene riparato presso un centro di assistenza autorizzato o presso un'autorità competente.

Sicurezza

Definizioni di sicurezza

Le avvertenze, le precauzioni e le note sono utilizzate per evidenziare le parti importanti del manuale.



AVVERTENZA: Utilizzato se è presente un rischio di lesioni o morte dell'operatore o di passanti nel caso in cui le istruzioni del manuale non vengano rispettate.



ATTENZIONE: Utilizzato se è presente un rischio di danni al prodotto, ad altri materiali oppure alla zona adiacente nel caso in cui le istruzioni del manuale non vengano rispettate.

Nota: Utilizzato per fornire ulteriori informazioni necessarie in una determinata situazione.

Istruzioni di sicurezza generali



AVVERTENZA: Questo prodotto può tagliare mani e piedi e scagliare oggetti. Lesioni gravi o mortali possono verificarsi se non si rispettano le istruzioni di sicurezza.



AVVERTENZA: Non continuare a utilizzare un prodotto che presenti l'attrezzatura di taglio danneggiata. Un'attrezzatura di taglio danneggiata può scagliare oggetti e causare lesioni gravi o mortali. Sostituire immediatamente le lame danneggiate.



AVVERTENZA: Durante il funzionamento, questo prodotto genera un campo elettromagnetico. Tale campo può interferire, in alcuni casi, con persone portatrici di impianti medici attivi o passivi. Per ridurre il rischio di condizioni che possono implicare lesioni gravi o mortali, i portatori di tali impianti devono consultare il proprio medico e il produttore dell'impianto prima di utilizzare questo prodotto.

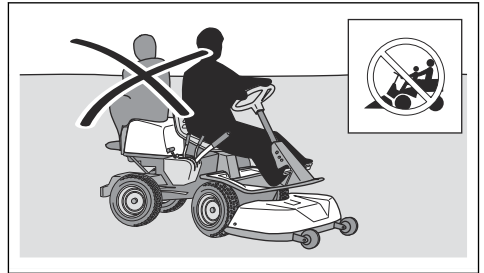


AVVERTENZA: Leggere le seguenti avvertenze prima di utilizzare il prodotto.

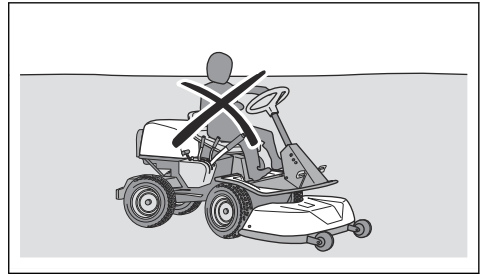
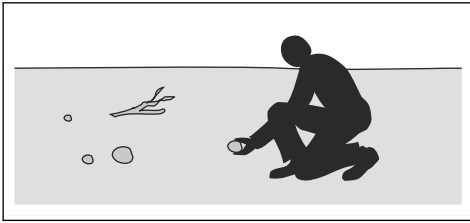
- Usare la massima cautela e il buon senso. Evitare tutte le situazioni che richiedono capacità superiori alle proprie. Se non si è sicuri delle procedure operative anche dopo aver letto il manuale

dell'operatore, rivolgersi a un esperto prima di continuare.

- Leggere con attenzione e comprendere il manuale dell'operatore e le istruzioni sul prodotto prima di avviarlo.
- Apprendere l'uso del prodotto e i comandi e imparare come arrestare il prodotto rapidamente.
- Apprendere a riconoscere le decalcomanie di sicurezza.
- Conservare il prodotto pulito in modo che sia possibile leggere chiaramente i simboli e gli adesivi.
- Tenere presente che l'operatore potrà essere ritenuto responsabile di eventuali incidenti che coinvolgano altre persone o i loro beni.
- Non trasportare passeggeri. Il prodotto deve essere utilizzato da una sola persona.



- Non lasciare il prodotto incustodito con il motore acceso. Fermare sempre le lame, applicare il freno di stazionamento, spegnere il motore e rimuovere la chiave di accensione prima di lasciare incustodito il prodotto.
- Utilizzare il prodotto solo alla luce solare o in altre condizioni di sufficiente illuminazione. Tenere il prodotto a distanza di sicurezza da buche o altre irregolarità nel suolo. Prestare attenzione ad altri possibili rischi.
- Non utilizzare mai il prodotto in condizioni meteorologiche sfavorevoli, ad esempio nebbia, pioggia, umidità o luoghi molto umidi, vento forte, freddo intenso, rischio di fulmini ecc.
- Trovare e marcare eventuali pietre e altri oggetti fissi per evitarli durante il taglio.
- Liberare l'area da oggetti come pietre, giocattoli, fili, ecc. che possono rimanere incastrati nelle lame ed essere scagliati in aria.



- Non consentire ai bambini, o ad altre persone non autorizzate all'utilizzo del prodotto, di utilizzarlo o eseguirne la manutenzione. Possono esistere leggi locali che stabiliscono l'età minima dell'operatore.
- Accertarsi che nessuno si trovi nelle vicinanze del prodotto quando si accende il motore, si innesta la trazione o si sposta il prodotto.
- Tenere d'occhio il traffico quando si taglia in prossimità di una strada o la si attraversa.
- Non utilizzare mai il prodotto in condizioni di stanchezza oppure sotto l'effetto di alcolici, stupefacenti o farmaci in grado di compromettere la vista, l'attenzione, la coordinazione o il giudizio.
- Parcheggiare sempre il prodotto su una superficie piana con il motore spento.

Istruzioni di sicurezza per l'utilizzo



AVVERTENZA: Non toccare il motore o il sistema di scarico durante o subito dopo l'utilizzo. Il motore e il sistema di scarico diventano molto caldi durante l'uso. Rischio di ustioni, incendi e danni alla proprietà o alle zone adiacenti. Mentre si utilizza il prodotto, tenersi lontani da cespugli e altri oggetti.



AVVERTENZA: Leggere le seguenti avvertenze prima di utilizzare il prodotto.

- Guardare sempre in basso e indietro prima e durante lo spostamento in retromarcia. Evitare ostacoli grandi e piccoli.
- Ridurre la velocità prima di svoltare ad angolo.
- Arrestare le lame prima di spostarsi attraverso aree che non richiedono la falciatura.



ATTENZIONE: Leggere le seguenti istruzioni prima di utilizzare il prodotto.

- Prima di utilizzare il prodotto, pulire la presa d'aria fredda del motore eliminando erba e sporco. Se la presa d'aria fredda viene bloccata, esiste il rischio di danni al motore.
- Spostare con attenzione pietre e altri oggetti più grandi e accertarsi che le lame non colpiscano gli oggetti.
- Non utilizzare il prodotto sugli oggetti. Fermarsi ed esaminare il prodotto e il piatto di taglio se si falcia su un oggetto. Se necessario, effettuare riparazioni prima di riavviare il prodotto.

Abbigliamento protettivo personale



AVVERTENZA: Leggere le seguenti avvertenze prima di utilizzare il prodotto.

- Usare sempre abbigliamento protettivo personale omologato quando si utilizza il prodotto. L'uso di abbigliamento protettivo personale non elimina il

Istruzioni di sicurezza relative ai bambini

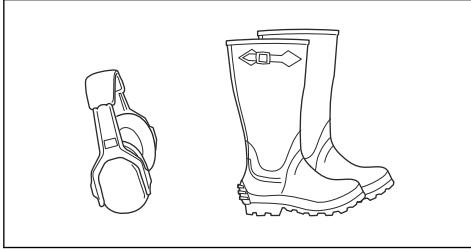


AVVERTENZA: Leggere le seguenti avvertenze prima di utilizzare il prodotto.

- In caso di mancata supervisione dei bambini nei pressi del prodotto, si potrebbero verificare gravi incidenti. I bambini possono essere attratti dal prodotto e dalla falciatura. È molto probabile che i bambini non rimangano fermi nel luogo in cui sono stati visti l'ultima volta.
- Tenere i bambini lontani dall'area da falciare. Accertarsi che sia presente un adulto che supervisioni i bambini.
- Restare vigili e spegnere il prodotto se i bambini accedono all'area di lavoro. Prestare estrema attenzione nei pressi di angoli, cespugli, alberi o altri oggetti che ostacolano la visuale.
- Prima e durante lo spostamento del prodotto in retromarcia, guardare all'indietro e verso il basso per assicurarsi che non ci siano bambini piccoli nelle vicinanze del prodotto.
- Non lasciar salire i bambini sul prodotto. Potrebbero cadere e ferirsi gravemente o impedire di manovrare in sicurezza il prodotto.
- Non lasciare che i bambini utilizzino il prodotto.

rischio di lesioni, ma ne riduce la gravità in caso di incidente. Farsi consigliare dal rivenditore per la scelta dell'attrezzatura adatta.

- Usare sempre cuffie protettive omologate. Una lunga esposizione al rumore può comportare lesioni permanenti all'udito.
- Indossare sempre scarpe o stivali protettivi. Si raccomanda l'uso di punte in acciaio. Non utilizzare il prodotto a piedi nudi.



- Indossare i guanti quando è necessario, per esempio durante il collegamento, l'ispezione o la pulizia dell'attrezzatura di taglio.
- Non indossare abbigliamento non aderente, gioielli o altri oggetti che potrebbero impigliarsi nelle parti in movimento.
- Tenere a portata di mano il kit di primo soccorso o un estintore.

Dispositivi di sicurezza sul prodotto



AVVERTENZA: Leggere le seguenti avvertenze prima di utilizzare il prodotto.

- Non utilizzare un prodotto con dispositivi di sicurezza difettosi. Effettuare un controllo dei dispositivi di sicurezza con regolarità. Se i dispositivi di sicurezza sono difettosi, rivolgersi alla propria officina Husqvarna.
- Non apportare modifiche ai dispositivi di sicurezza. Non utilizzare il prodotto se le piastre di protezione, le coperture, gli interruttori di sicurezza o altri dispositivi di protezione non sono collegati o sono difettosi.

Per effettuare un controllo del blocco accensione

- Avviare e arrestare il motore per effettuare un controllo del blocco di accensione. Vedere *Per avviare il motore alla pagina 142* e *Per arrestare il motore alla pagina 143*.
- Assicurarsi che il motore si avvii quando si posiziona la chiave su START.
- Assicurarsi che il motore si arresti quando si posiziona la chiave su STOP.

Condizioni operative

Queste condizioni sono necessarie per avviare il motore:

- L'operatore occupa il sedile.
- Il freno di stazionamento è azionato.
- La rotazione delle lame è disinserita.

Il motore deve arrestarsi nelle seguenti condizioni:

- Il freno di stazionamento non è premuto e l'operatore si alza dal sedile.

La rotazione delle lame deve arrestarsi nelle seguenti condizioni:

- Il freno di stazionamento è premuto e l'operatore si alza dal sedile.
- Il pulsante PTO è premuto.

Provare ad avviare il motore senza una delle condizioni. Cambiare condizione e riprovare. Effettuare questo controllo quotidianamente.

Per effettuare un controllo del limitatore di velocità

- Rilasciare il pedale di avanzamento per frenare.
- Per una maggiore potenza di frenata, premere il pedale di retromarcia.
- Assicurarsi che i pedali di marcia avanti e retromarcia non siano bloccati e che possano essere azionati liberamente.
- Assicurarsi che il prodotto freni quando viene rilasciato il pedale di avanzamento.

Freno di stazionamento



AVVERTENZA: Se il freno di stazionamento non funziona, il prodotto può iniziare a muoversi e causare lesioni o danni. Assicurarsi che il freno di stazionamento venga controllato e regolato periodicamente.

Vedere *Per controllare il freno di stazionamento alla pagina 147*.

Marmitta

La marmitta assicura il minimo livello acustico e allontana i fumi di scarico dall'operatore.

Non utilizzare il prodotto se la marmitta è mancante o difettosa. Una marmitta difettosa aumenta il livello acustico e il rischio di incendio.



AVVERTENZA: La marmitta si surriscalda durante e dopo l'uso e quando il motore funziona al regime minimo. Prestare attenzione in prossimità di materiali infiammabili e/o fumi per evitare incendi.

Controllo della marmitta

- Esaminare la marmitta periodicamente per assicurarsi che sia collegata correttamente e che non sia danneggiata.

Coperture protettive

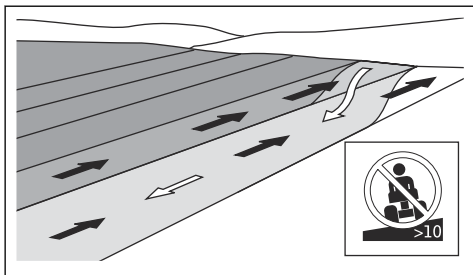
Coperture protettive mancanti o danneggiate aumentano il rischio di lesioni sulle parti in movimento e sulle superfici calde. Controllare le condizioni delle coperture protettive prima di utilizzare il prodotto. Assicurarsi che le coperture protettive siano collegate correttamente e non presentino crepe o altri danni. Sostituire le coperture danneggiate.

Taglio dell'erba in pendenza



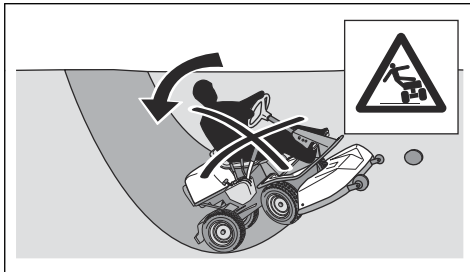
AVVERTENZA: Leggere le seguenti avvertenze prima di utilizzare il prodotto.

- La falciatura dell'erba su terreni in pendenza aumenta il rischio di perdita di controllo e di ribaltamento del prodotto. Ciò può causare lesioni anche mortali. È necessario falciare l'erba con cautela su qualsiasi terreno in pendenza. Se non è possibile effettuare la retromarcia su un terreno in pendenza o se ci si sente insicuri, non effettuare la falciatura.
- Rimuovere pietre, rami o altri ostacoli.
- Eseguire il taglio guidando parallelamente alla direzione di inclinazione del piano, non lateralmente.
- Non spostarsi su un pendio con il piatto di taglio sollevato.
- Non utilizzare il prodotto su terreni con pendenze superiori a 10°.



- Non avviare o arrestare il prodotto su terreni in pendenza.
- Spostarsi gradualmente e lentamente su terreni in pendenza.
- Non effettuare bruschi cambiamenti di velocità o di direzione di marcia.
- Non effettuare più svolte del necessario. Girare lentamente e gradualmente quando ci si sposta su un pendio. Viaggiare a bassa velocità. Girare la ruota con cautela.

- Evitare di attraversare solchi, buche e dossi. Vi è un rischio più elevato che il prodotto si ribalti su un terreno non piano. L'erba alta può nascondere eventuali ostacoli.
- Non tagliare in prossimità di bordi, fossi o argini. Il prodotto può ribaltarsi improvvisamente se una ruota si muove oltre il bordo di una pendenza ripida o un fosso, o se un bordo cede. Se il prodotto cade in acqua sussiste il rischio di annegare.



- Non tagliare l'erba bagnata. È scivolosa e gli pneumatici possono perdere aderenza facendo slittare il prodotto.
- Non appoggiare il piede a terra per tentare di rendere il prodotto più stabile.
- Spostarsi con molta attenzione nel caso in cui un accessorio o un qualsiasi altro oggetto si sia impigliato, rendendo il prodotto meno stabile.
- Per aumentare la stabilità, fissare dei contrappesi. Rivolgersi al rivenditore per maggiori informazioni.

Sicurezza per il traino

- Utilizzare esclusivamente attrezzature di traino approvate da Husqvarna.
- Utilizzare la barra di traino per fissare l'attrezzatura.
- Non trainare attrezzature più pesanti del peso massimo consentito. Vedere *Dati tecnici alla pagina 163*.
- Accertarsi che non vi siano persone nelle vicinanze del prodotto quando si traina l'attrezzatura.
- Non trainare l'attrezzatura su terreni in pendenza o accidentati.
- Azionare il prodotto a bassa velocità quando si traina l'attrezzatura.

Sicurezza durante l'uso del carburante



AVVERTENZA: Prestare attenzione al carburante. Il carburante è estremamente infiammabile e può provocare lesioni e danni.



AVVERTENZA: Leggere le seguenti avvertenze prima di utilizzare il prodotto.

- Non riempire il serbatoio del carburante in ambienti chiusi.
- La benzina e i vapori della benzina sono tossici e molto infiammabili. Prestare la massima attenzione alla benzina per evitare lesioni o incendi.
- Non rimuovere il tappo del carburante, né rabboccare il serbatoio del carburante a motore acceso.
- Lasciare che il motore si raffreddi prima di effettuare il rifornimento.
- Non fumare durante il rifornimento del carburante.
- Non effettuare il rifornimento vicino a scintille o fiamme libere.
- In caso di perdite del sistema di alimentazione, non avviare il motore fino a quando le perdite non sono state riparate.
- Non effettuare il rifornimento oltre il livello raccomandato. Il calore del motore e del sole fa espandere il carburante, il quale fuoriesce se il serbatoio si è riempito troppo.
- Non riempire il serbatoio in eccesso. Se si versa del carburante sul prodotto, asciugare con un panno e attendere che sia evaporato prima di avviare il motore. Se lo si versa sugli indumenti, cambiarli.
- Conservare il carburante solo in contenitori omologati.
- Riporre il prodotto e il carburante in modo che non vi sia alcun rischio che eventuali perdite di carburante o fumi possano causare danni.
- Versare il carburante in un contenitore adatto, all'aperto e lontano da fiamme libere.

Sicurezza per il trasporto

- Utilizzare un veicolo omologato per il trasporto del prodotto.
- Le normative nazionali o locali di un mercato possono prevedere limitazioni per il trasporto del prodotto.
- L'operatore del veicolo di trasporto è responsabile del fissaggio sicuro del prodotto durante il trasporto.

Sicurezza batterie



AVVERTENZA: Una batteria danneggiata può esplodere e causare lesioni. Se la batteria presenta una deformazione o è danneggiata, rivolgersi a un'officina autorizzata Husqvarna.



AVVERTENZA: Leggere le seguenti avvertenze prima di utilizzare il prodotto.

- Utilizzare occhiali protettivi quando si è in prossimità delle batterie.
- Non indossare orologi, gioielli o altri oggetti metallici nelle vicinanze della batteria.
- Tenere la batteria fuori dalla portata dei bambini.

- Caricare la batteria in un luogo con buon ricambio d'aria.
- Tenere i materiali infiammabili a una distanza minima di 1 m quando si carica la batteria.
- Smaltire le batterie sostituite. Vedere *Smaltimento alla pagina 162*.
- Gas esplosivi possono fuoriuscire dalla batteria. Non fumare in prossimità della batteria. Tenere la batteria lontano da fiamme libere e scintille.

Istruzioni di sicurezza per la manutenzione



AVVERTENZA: Il prodotto ha un peso elevato e può causare lesioni o danni alle cose o alla zona adiacente. Non eseguire la manutenzione del motore o del piatto di taglio senza che queste condizioni vengano soddisfatte:

- Il motore è spento.
- Il prodotto è parcheggiato su una superficie piana.
- Il freno di stazionamento è azionato.
- La chiave di accensione è stata rimossa.
- Il piatto di taglio è disinserito.
- I cavi di accensione sono stati rimossi dalle candele.



AVVERTENZA: I fumi di scarico del motore contengono monossido di carbonio, un gas inodore, velenoso e altamente pericoloso. Non utilizzare il prodotto in spazi chiusi o senza un flusso d'aria sufficiente.



AVVERTENZA: Leggere le seguenti avvertenze prima di utilizzare il prodotto.

- Per garantire le migliori prestazioni e la sicurezza, effettuare la manutenzione del prodotto a intervalli regolari come indicato nel programma di manutenzione. Vedere *Programma di manutenzione per l'operatore alla pagina 143*.
- Le scosse elettriche possono causare lesioni. Non toccare i cavi quando il motore è acceso. Non effettuare una prova di funzionamento dell'impianto di accensione con le dita.
- Non avviare il motore se i coperchi protettivi sono stati rimossi. Vi è un alto rischio di lesioni provocate da parti calde o in movimento.
- Attendere che il prodotto si raffreddi prima di eseguire la manutenzione vicino al motore.
- Le lame sono affilate e possono causare tagli. Posizionare paraventi attorno alle lame o usare guanti protettivi quando si lavora su di esse.
- Mettere sempre il piatto di taglio in posizione di manutenzione per pulirlo. Non parcheggiare il

prodotto vicino al bordo di un fosso o in pendenza per accedere al piatto di taglio.



ATTENZIONE: Leggere le seguenti istruzioni prima di utilizzare il prodotto.

- Non ribaltare il motore se la candela o il cavo di accensione è stato rimosso.
- Assicurarsi che tutti i dadi e i bulloni siano serrati correttamente e che l'attrezzatura sia in buone condizioni.

- Non modificare la regolazione dei limitatori. Se il regime del motore è troppo alto, i componenti del prodotto possono danneggiarsi. Vedere *Dati tecnici alla pagina 163* per informazioni sul regime motore massimo consentito.
- Il prodotto è testato e approvato solo con l'attrezzatura in dotazione o raccomandata dal produttore.

Montaggio

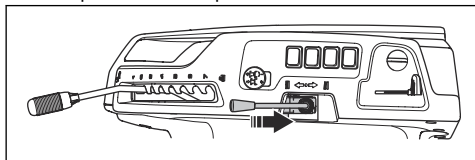
Introduzione



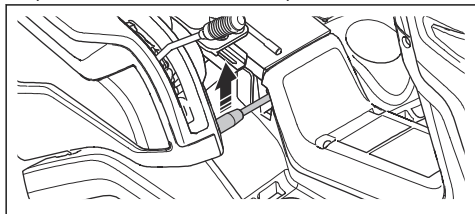
AVVERTENZA: Leggere e comprendere il capitolo sulla sicurezza prima di montare il prodotto.

Fissaggio del piatto di taglio

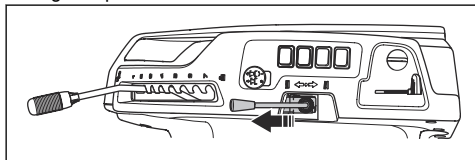
1. Parcheggiare il prodotto su un terreno piano.
2. Azionare il freno di stazionamento.
3. Portare la leva di sollevamento del piatto di taglio nella posizione di trasporto..



4. Spostare la leva di trasferimento peso verso l'alto per disinserire il trasferimento peso.

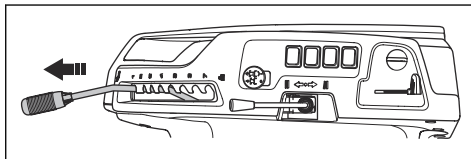


5. Impostare la leva di sollevamento per il piatto di taglio in posizione di falciatura.

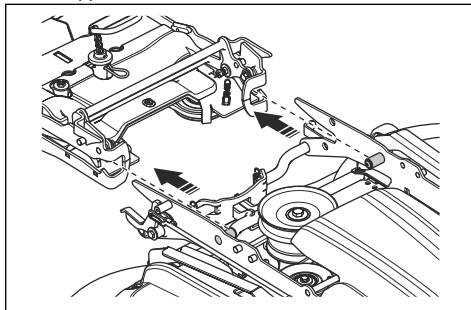


6. Spegner il motore.

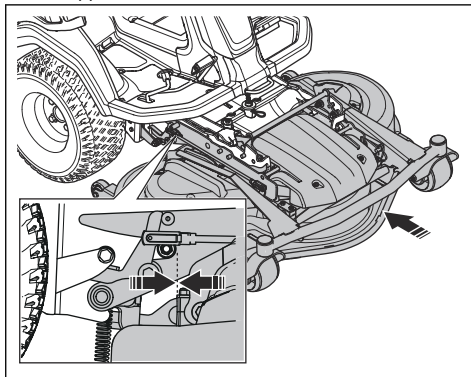
7. Impostare la leva dell'altezza di taglio nella posizione di servizio.



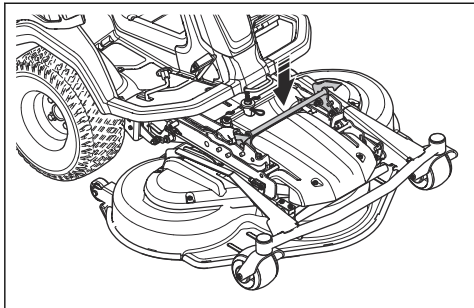
8. Allineare il piatto di taglio al telaio dell'apparecchiatura.



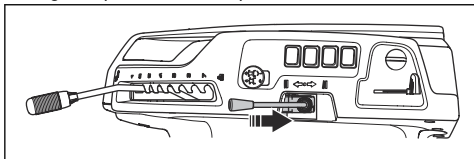
9. Spingere il piatto di taglio all'interno del telaio dell'apparecchiatura in avanti finché non si arresta.



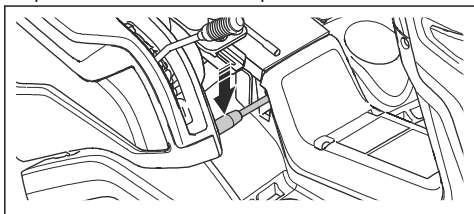
10. Spingere verso il basso la leva di bloccaggio.



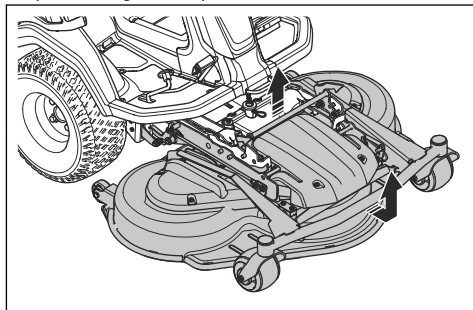
11. Collocare la leva di sollevamento per il piatto di taglio in posizione di trasporto.



12. Spostare la leva di trasferimento peso verso il basso per inserire il trasferimento peso.



3. Afferrare il bordo anteriore del piatto di taglio e tirare in avanti tenendo la leva di bloccaggio. Tirare il piatto di taglio nella posizione finale.

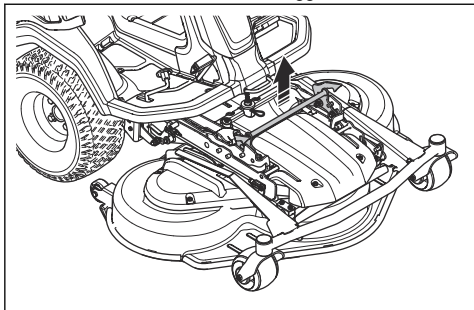


Nota: Se non è possibile tirare il piatto di taglio fino alla sua posizione finale, rilasciare la leva di bloccaggio e tirarla di nuovo verso l'alto.

4. Tirare e tenere la leva di bloccaggio e sollevare la parte anteriore del piatto di taglio finché non viene rilasciato. Sollevare fino a quando la parte anteriore del piatto di taglio viene rilasciata dal telaio dell'apparecchiatura.
5. Estrarre il piatto di taglio.

Per rimuovere il piatto di taglio

1. Attenersi alle fasi 1-7 in *Fissaggio del piatto di taglio alla pagina 138*.
2. Tirare e tenere la leva di bloccaggio.



Funzionamento

Introduzione



AVVERTENZA: Prima di utilizzare il prodotto, è necessario leggere e comprendere il capitolo relativo alla sicurezza.

Primo utilizzo Husqvarna Connect

1. Scaricare l'app Husqvarna Connect sul proprio dispositivo mobile.
2. Registrarsi nell'app Husqvarna Connect.
3. Attenersi alle istruzioni dell'app Husqvarna Connect per collegare e registrare il prodotto.

Per il rifornimento del carburante



AVVERTENZA: La benzina è altamente infiammabile. Prestare la massima attenzione ed effettuare il rifornimento all'esterno (vedere *Sicurezza durante l'uso del carburante alla pagina 136*).



AVVERTENZA: Non utilizzare il serbatoio del carburante, come superficie di appoggio.



ATTENZIONE: Un carburante di tipo errato può causare danni al motore.

Il motore funziona con benzina con un numero di ottano minimo di 91 RON (87 AKI), non mescolata con olio. Si raccomanda benzina alchilata biodegradabile. Non usare benzina contenente più del 10% di etanolo.

- Effettuare un controllo del livello di carburante prima di ogni uso e rifornire se necessario.
- Non riempire completamente il serbatoio del carburante. Lasciare uno spazio di almeno 2,5 cm.

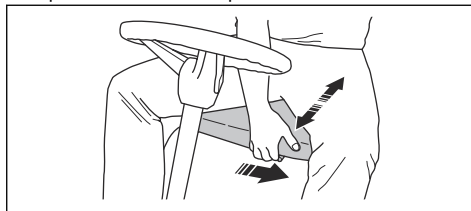
Per regolare il sedile



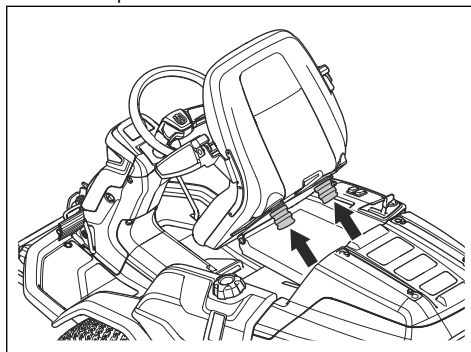
AVVERTENZA: Non regolare il sedile quando il prodotto è in funzione.

1. Per regolare il sedile in avanti e indietro, mettere i piedi sui poggiapiedi.
2. Spingere al lato la leva sotto il bordo anteriore del sedile.

3. Spostare il sedile nella posizione desiderata.



4. Per regolare le molle del sedile, spostare i 2 fermi in gomma sotto il sedile come indicato nell'illustrazione. Posizionare i 2 fermi in gomma nei fori anteriori, centrali o posteriori sotto il sedile.

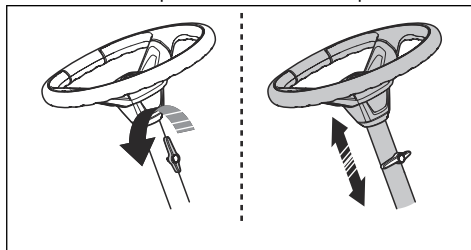


Per regolare l'altezza del volante



AVVERTENZA: Non regolare l'altezza del volante con il prodotto in funzione.

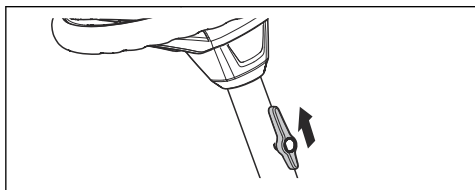
1. Girare la manopola in senso antiorario per allentarla.



2. Regolare l'altezza del volante.
3. Girare la manopola in senso orario per serrarla.

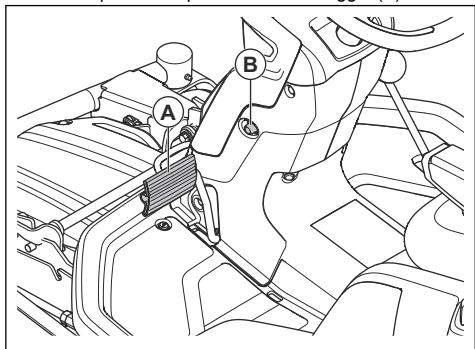


ATTENZIONE: Assicurarsi che l'estremità più lunga della manopola sia rivolta verso l'alto.



Per inserire o disinserire il freno di stazionamento

1. Premere il pedale del freno di stazionamento (A).
2. Tenere premuto il pulsante di bloccaggio (B).



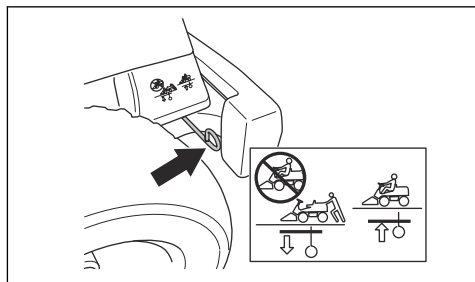
3. Tenere premuto il pulsante di bloccaggio e rilasciare il pedale del freno di stazionamento.
4. Per rilasciare il freno di stazionamento, spingere nuovamente il pedale corrispondente.

Per inserire e disinserire il sistema di trasmissione

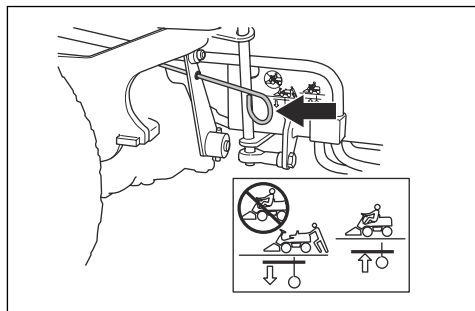
Per spostare il prodotto con il motore spento, il sistema di trasmissione deve essere disinserito. Estrarre completamente la leva del sistema di trasmissione per disinserire la trasmissione sull'asse. Premere completamente la leva del sistema di trasmissione per inserire la trasmissione sull'assale. Non utilizzare le posizioni intermedie.

Il prodotto ha una leva del sistema di trasmissione per l'assale anteriore e un'altra per quello posteriore. La leva

del sistema di trasmissione per l'assale posteriore si trova dietro la ruota posteriore sinistra.

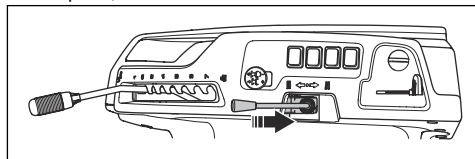


La leva del sistema di trasmissione per l'assale anteriore si trova dietro la ruota anteriore sinistra.

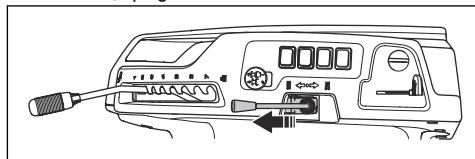


Sollevamento e abbassamento del piatto di taglio

- Per sollevare il piatto di taglio nella posizione di trasporto, tirare la leva di sollevamento all'indietro.

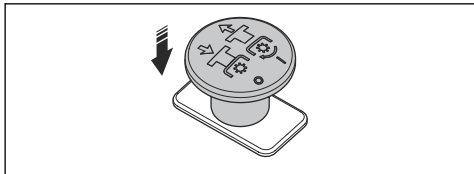


- Per sollevare il piatto di taglio nella posizione di falciatura, spingere la leva di sollevamento in avanti.

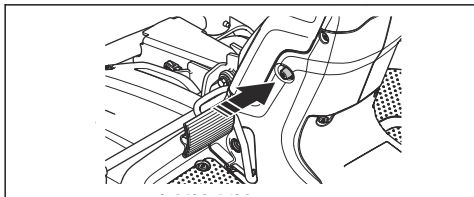


Per avviare il motore

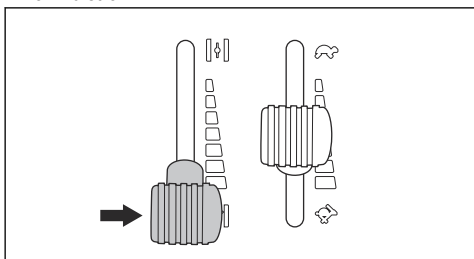
1. Spingere il pulsante PTO per disinserire la trasmissione sul piatto di taglio.



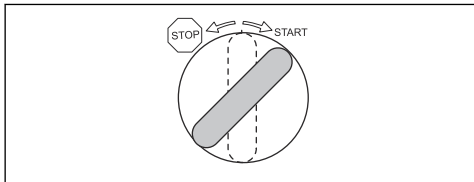
2. Azionare il freno di stazionamento.



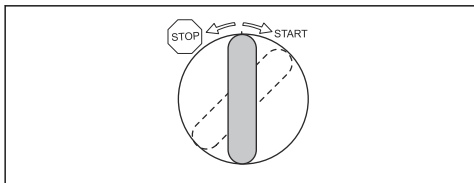
3. Per R 420TsX AWD: Se il motore è freddo, spostare il comando della valvola dell'aria completamente all'indietro.



4. Girare la chiave d'accensione nella posizione di avviamento.



5. All'avviamento del motore, rilasciare immediatamente la chiave e riportarla in posizione folle.



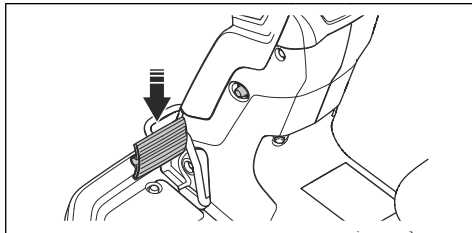
Nota: Non tenere la chiave di accensione in posizione di avviamento per più di 5 secondi per

volta. Se il motore non si avvia, attendere 15 secondi prima di riprovare.

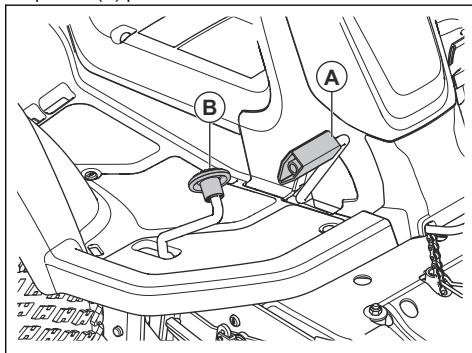
6. Far girare il motore a regime intermedio per 3-5 minuti prima di applicare carichi pesanti.
7. Premere il comando dell'acceleratore al massimo.

Per utilizzare il prodotto

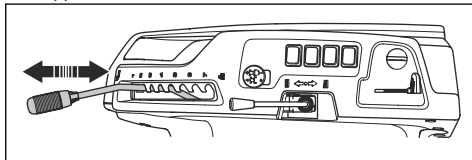
1. Avviare il motore. Vedere *Per avviare il motore alla pagina 142*.
2. Come disinserire il freno di stazionamento.



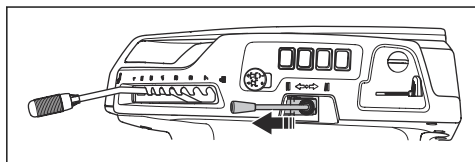
3. Spingere delicatamente uno dei pedali di marcia. La velocità aumenta premendo più a fondo il pedale. Utilizzare il pedale (A) per la marcia avanti e il pedale (B) per la retromarcia.



4. Rilasciare il pedale del freno.
5. Selezionare l'altezza di taglio (1-7) utilizzando l'apposita leva.



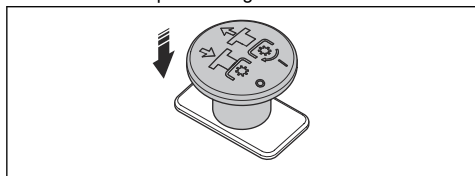
6. Spostare in avanti la leva di sollevamento idraulico per abbassare il piatto di taglio in posizione di falciatura.



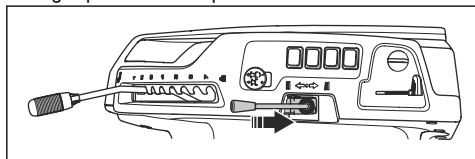
7. Estrarre il pulsante PTO per inserire la rotazione delle lame.

Per arrestare il motore

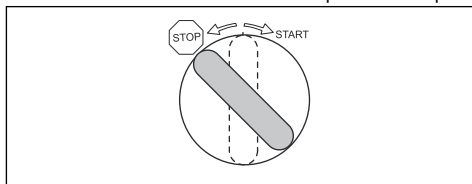
1. Spingere il pulsante PTO per disinserire la rotazione delle lame del piatto di taglio.



2. Tirare all'indietro la leva di sollevamento del piatto di taglio per sollevare il piatto stesso.



3. Azionare il freno di stazionamento.
4. Girare la chiavetta d'accensione in posizione stop.



Per ottenere un buon risultato di taglio

- Per garantire le migliori prestazioni, effettuare la manutenzione del prodotto a intervalli regolari come indicato nel programma di manutenzione. Vedere *Programma di manutenzione per l'operatore alla pagina 143*.
- Non tagliare il prato bagnato. L'erba bagnata può dare un cattivo risultato di taglio.
- Iniziare con un'altezza di taglio elevata e ridurla gradualmente.
- Tagliare con lame che ruotano ad alta velocità (per il regime del motore massimo consentito, vedere *Dati tecnici alla pagina 163*). Spostare in avanti il prodotto a bassa velocità. Se l'erba non è troppo alta e fitta, è possibile ottenere un buon risultato di taglio anche a una velocità maggiore.
- Tagliare l'erba seguendo un pattern irregolare.
- Per ottenere i migliori risultati di taglio, tagliare l'erba regolarmente e utilizzare la funzione BioClip.

Manutenzione

Introduzione



AVVERTENZA: Prima di eseguire qualsiasi lavoro di manutenzione, è necessario leggere e capire il capitolo relativo alla sicurezza.

X = le istruzioni sono riportate in questo manuale dell'operatore.

Nota: Se è presente più di 1 intervallo di tempo per un'operazione, l'intervallo di tempo più breve è per la prima manutenzione. Dopo la prima manutenzione, rispettare l'intervallo di tempo più lungo.

Programma di manutenzione

* = Le istruzioni non sono riportate in questo manuale dell'operatore.

Programma di manutenzione per l'operatore

Manutenzione	Manutenzione giornaliera prima del funzionamento	Intervallo di manutenzione in ore		
		50	100	200
Assicurarsi che i dadi e le viti siano ben serrati	*			
Assicurarsi che non vi siano perdite di olio o carburante	*			
Pulire il prodotto	X			
Pulire la superficie interna del piatto di taglio, intorno alle lame	X			

Manutenzione	Manutenzione giornaliera prima del funzionamento	Intervallo di manutenzione in ore		
		50	100	200
Pulire l'area attorno alla marmitta	X			
Assicurarsi che la presa d'aria fredda del motore non sia ostruita	X			
Assicurarsi che i dispositivi di sicurezza non siano difettosi	X			
Esaminare ed eseguire una prova dei freni	*			
Controllo del livello dell'olio motore	X			
Effettuare un controllo del livello dell'olio della trasmissione	X			
Effettuare un controllo dei cavi dello sterzo	X			
Esaminare le lame nel piatto di taglio	X			
Accertarsi che le luci abbaglianti e la luce di lavoro funzionino correttamente	*			
Pulire il piatto di taglio, sotto i coperchi della cinghia e sotto il piatto di taglio		X		
Assicurarsi che la pressione degli pneumatici sia corretta		X		
Pulire il filtro dell'aria		X		
Effettuare un controllo del parallelismo del piatto di taglio		X		
Lubrificare il regolatore della cinghia		X		
Lubrificare il sedile		X		
Sostituire il filtro dell'aria			X	
Sostituire l'olio motore ¹⁹		X		
Sostituire il filtro dell'olio			X	
Sostituire il filtro del carburante			X	
Sostituire la candela			X	

Pulizia del prodotto



ATTENZIONE: Non utilizzare una lancia ad alta pressione o a vapore. L'acqua può entrare nei cuscinetti e nei collegamenti elettrici e causare una corrosione che può danneggiare il prodotto.

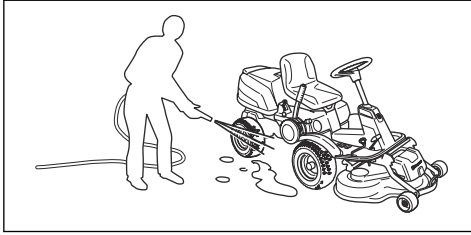
- Utilizzare acqua corrente e un tubo per pulire il prodotto. Non utilizzare alta pressione.
- Non puntare il getto d'acqua sui componenti elettrici o i cuscinetti. L'impiego di un detergente solitamente aumenta il danno.
- Per pulire il piatto di taglio, metterlo in posizione di servizio e lavarlo con un tubo dell'acqua.

Pulire il prodotto subito dopo l'uso.

- Non pulire le superfici calde come il motore, la marmitta e il sistema di scarico. Attendere fino a quando le superfici sono fredde, quindi rimuovere l'erba o lo sporco.
- Prima di pulire con acqua, pulire con una spazzola. Rimuovere l'erba tagliata e lo sporco dall'area sopra e intorno alla trasmissione, la presa d'aria della trasmissione e il motore.

¹⁹ Per R 420TsX AWD, sostituire prima volta dopo 8 ore di funzionamento

- Quando il prodotto è pulito, avviare il piatto di taglio per un breve periodo di tempo per scaricare l'acqua residua.



Per pulire il motore e la marmitta

Mantenere il motore e la marmitta libera dall'erba tagliata e dallo sporco. L'erba tagliata immersa nell'olio o nel carburante sul motore può aumentare il rischio d'incendio e di surriscaldamento del motore. Lasciar raffreddare il motore prima di pulirlo. Pulire con acqua e una spazzola.

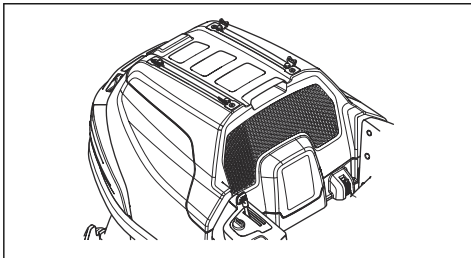
L'erba tagliata che si deposita intorno alla marmitta si secca velocemente e rappresenta un rischio d'incendio. Utilizzare una spazzola o rimuovere l'erba tagliata con l'acqua quando la marmitta è fredda.

Pulizia della presa d'aria fredda del motore

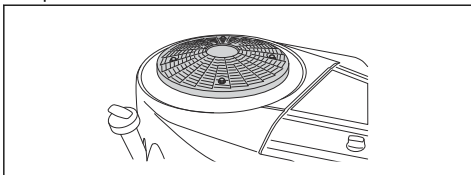


AVVERTENZA: Spegner il motore. La presa d'aria fredda ruota e può provocare lesioni alle dita.

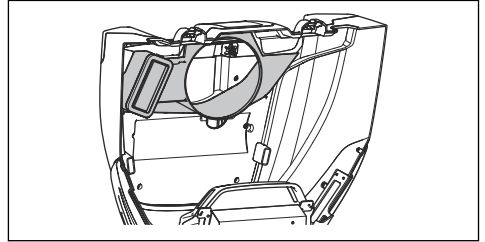
1. Assicurarsi che la griglia della presa d'aria fredda del motore non sia ostruita. Rimuovere l'erba e lo sporco con una spazzola.



2. Aprire il cofano motore.
3. Assicurarsi che la presa d'aria fredda del motore non sia ostruita. Rimuovere l'erba e lo sporco con una spazzola.



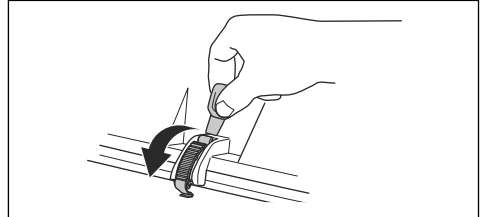
4. Esaminare il condotto dell'aria presente sulla superficie interna del cofano del motore. Assicurarsi che il condotto dell'aria sia pulito e che non tocchi la presa d'aria fredda.



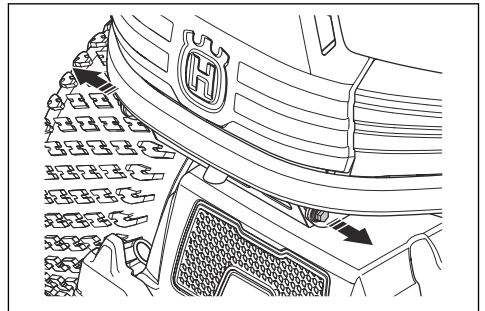
Per rimuovere i coperchi

Per rimuovere e montare il cofano del motore

1. Ripiegare il sedile in avanti.
2. Rilasciare i 2 fermi sul cofano del motore con l'attrezzo collegato alla chiave di accensione.



3. Rimuovere le viti dai cardini.

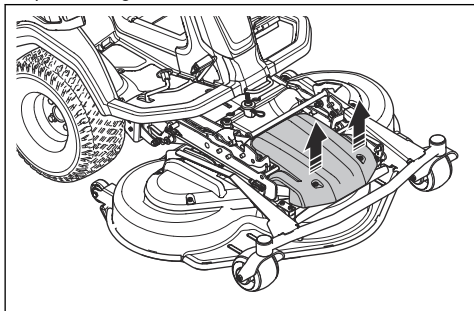


4. Piegar il cofano del motore all'indietro.
5. Montare eseguendo le operazioni nell'ordine inverso.

Per rimuovere e installare il coperchio anteriore del piatto di taglio

1. Rimuovere il piatto di taglio. Vedere *Per rimuovere il piatto di taglio alla pagina 139.*

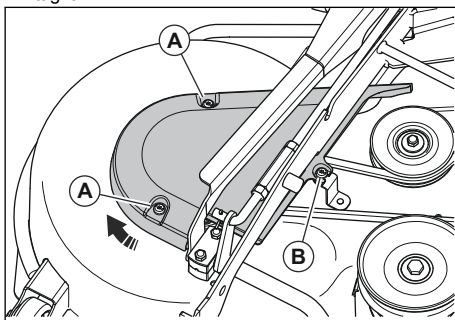
2. Svitare le 2 viti e rimuovere il coperchio anteriore del piatto di taglio.



3. Montare eseguendo le operazioni nell'ordine inverso.

Per rimuovere e installare il coperchio laterale del piatto di taglio

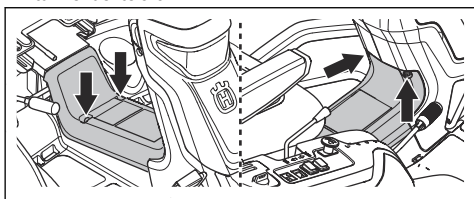
1. Rimuovere il piatto di taglio. Vedere *Per rimuovere il piatto di taglio alla pagina 139*.
2. Svitare le 2 viti (A) sul coperchio laterale del piatto di taglio.



3. Allentare la vite (B) senza rimuoverla.
4. Ruotare e rimuovere il coperchio laterale del piatto di taglio.
5. Montare eseguendo le operazioni nell'ordine inverso.

Per rimuovere e montare il coperchio del tunnel del telaio

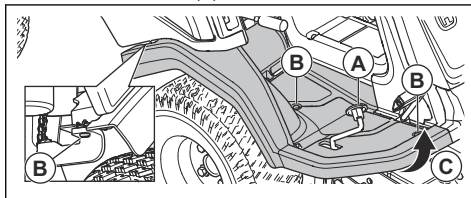
1. Spostare il sedile all'indietro. Vedere *Per il rifornimento del carburante alla pagina 140*.
2. Rimuovere le 4 viti e rimuovere il coperchio del tunnel del telaio.



3. Montare eseguendo le operazioni nell'ordine inverso.

Per rimuovere e installare la piastra poggipiedi destra

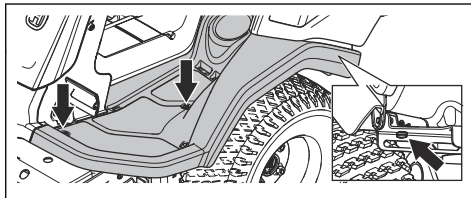
1. Rimuovere il coperchio del tunnel del telaio. Vedere *Per rimuovere e montare il coperchio del tunnel del telaio alla pagina 146*.
2. Girare la manopola sul pedale di marcia indietro (A) per rimuoverlo.
3. Rimuovere le 3 viti (B).



4. Allentare i bordi della piastra poggipiedi (C).
5. Rimuovere la piastra poggipiedi.
6. Montare eseguendo le operazioni nell'ordine inverso.

Per rimuovere e installare la piastra poggipiedi sinistra

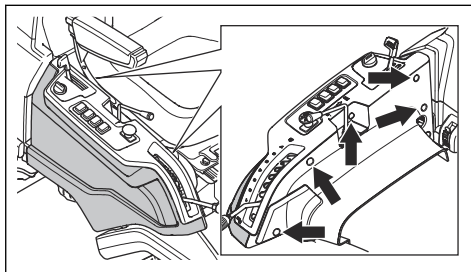
1. Rimuovere il coperchio del tunnel del telaio. Vedere *Per rimuovere e installare il coperchio anteriore del piatto di taglio alla pagina 145*.
2. Svitare le 3 viti e rimuovere la piastra poggipiedi.



3. Montare eseguendo le operazioni nell'ordine inverso.

Per rimuovere e fissare il coperchio laterale esterno destro

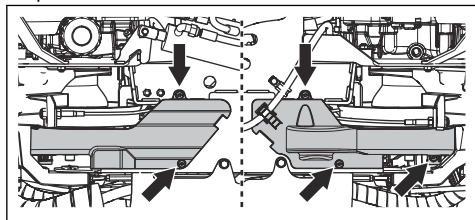
1. Aprire il cofano motore. Vedere *Per rimuovere e montare il cofano del motore alla pagina 145*.
2. Svitare le 6 viti e rimuovere il coperchio laterale destro.



3. Montare eseguendo le operazioni nell'ordine inverso.

Per rimuovere i coperchi cinghia inferiori

1. Rimuovere le viti che fissano il coperchio cinghia inferiore. Sono presenti 2 viti sul lato destro del prodotto e 3 viti sul lato sinistro.



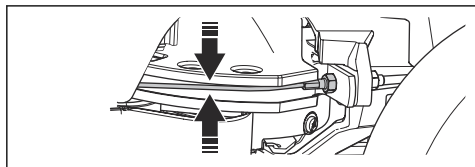
2. Rimuovere il coperchio cinghia inferiore.
3. Il montaggio avviene eseguendo le operazioni nell'ordine inverso.

Per esaminare i cavi dello sterzo

La tensione dei cavi dello sterzo può diminuire dopo un certo periodo di tempo. Questo fa sì che la regolazione dello sterzo cambi.

Esaminare e regolare lo sterzo nel seguente modo:

1. I cavi dello sterzo sono serrati correttamente se è possibile spostarli manualmente di 5 mm verso l'alto o verso il basso nella scanalatura sul collarino dello sterzo.



2. Se i cavi sono troppo lenti, affidarne la regolazione a un'officina autorizzata.

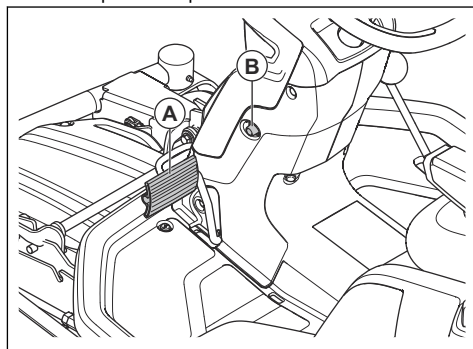
Per controllare il freno di stazionamento

1. Parcheggiare il prodotto su una pendenza con superficie dura.

Nota: Non parcheggiare il prodotto su un prato in pendenza quando si esegue un controllo del freno di stazionamento.

2. Premere il pedale del freno di stazionamento (A).

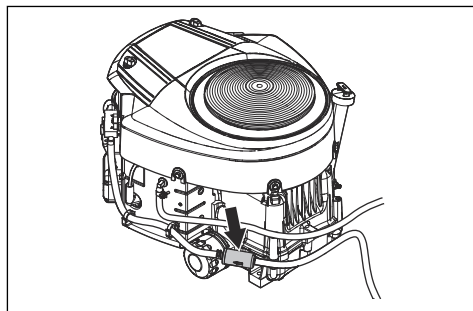
3. Tenere premuto il pulsante di bloccaggio (B) e rilasciare il pedale del freno di stazionamento mentre si tiene premuto il pulsante.



4. Se il prodotto inizia a muoversi, affidare la regolazione del freno di stazionamento a un'officina autorizzata.
5. Premere di nuovo il pedale del freno di stazionamento per rilasciarlo.

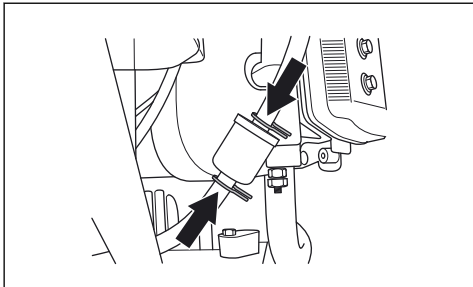
Per sostituire il filtro del carburante

1. Aprire il cofano motore.
2. Spostare le clip tubo dal filtro del carburante con un paio di pinze.
3. Estrarre il filtro del carburante dalle estremità del tubo. Può fuoriuscire una piccola quantità di carburante.



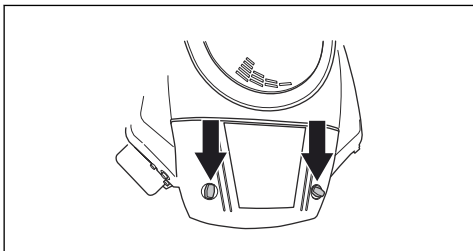
4. Spingere il nuovo filtro del carburante nelle estremità dei tubi. Applicare del detergente liquido sulle estremità del filtro del carburante per rendere più semplice il collegamento.

- Spingere le clip tubo sul filtro del carburante.

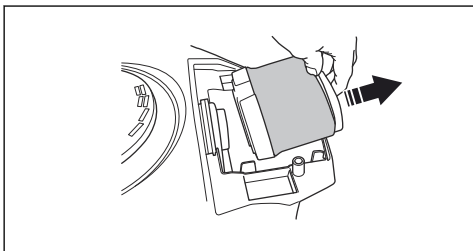


Per pulire e sostituire il filtro dell'aria

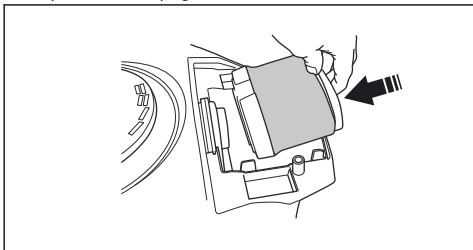
- Aprire il cofano motore.
- Allentare le manopole che fissano il coperchio del filtro dell'aria e rimuovere il coperchio del filtro dell'aria.



- Rimuovere il filtro dell'aria.



- Utilizzare una spazzola per rimuovere erba e sporco dal filtro dell'aria o sostituire il filtro dell'aria con uno nuovo. Vedere *Programma di manutenzione per l'operatore alla pagina 143*.

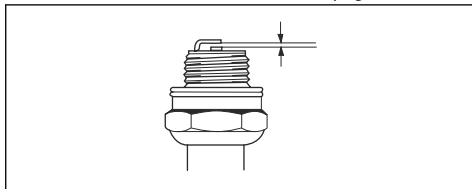


- Installare il filtro dell'aria e il coperchio del filtro dell'aria. Serrare le manopole.

- Chiudere il cofano del motore.

Per esaminare e sostituire la candela

- Aprire il cofano motore.
- Rimuovere lo zoccolo del cavo di accensione e pulire la zona circostante la candela.
- Rimuovere la candela con una chiave per candele.
- Esaminare la candela. Sostituirla se gli elettrodi sono bruciati o se l'isolamento presenta crepe o altri danni. Se la candela non è danneggiata, è necessario pulirla con una spazzola di acciaio.
- Misurare la distanza tra gli elettrodi e assicurarsi che sia corretta. Vedere *Dati tecnici alla pagina 163*.



- Piegare l'elettrodo laterale per regolare la distanza tra gli elettrodi.
- Inserire nuovamente la candela e ruotarla manualmente finché non tocca la sede della candela.
- Stringere la candela con la chiave per candele fino a quando la rondella non è compressa.
- Serrare una candela usata con $\frac{1}{8}$ di giro in più e una nuova candela con $\frac{1}{4}$ di giro in più.



ATTENZIONE: Le candele non serrate correttamente possono provocare danni al motore.



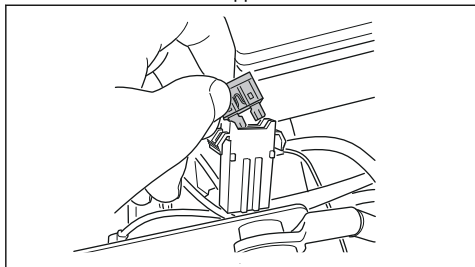
ATTENZIONE: Non tentare di avviare il motore se la candela o il cavo di accensione è stato rimosso.

Per sostituire i fusibili

I fusibili sono inseriti in 2 gruppi. I fusibili del modulo di controllo del rasaerba e del motore si trovano in un supporto davanti alla batteria. I fusibili per le prese di corrente ausiliarie si trovano in un supporto davanti al radiatore dell'olio idraulico. Un fusibile bruciato si riconosce da un connettore bruciato.

- Aprire il cofano motore.

2. Estrarre il fusibile dal supporto.



3. Sostituire il fusibile bruciato.
4. Chiudere il cofano del motore.

Se il fusibile si brucia di nuovo dopo un breve periodo dalla sostituzione, è presente un corto circuito. Riparare il cortocircuito prima di utilizzare nuovamente il prodotto.

Per caricare la batteria

- Ricaricare la batteria se è troppo scarica per avviare il motore.
- Utilizzare un caricabatterie standard.



ATTENZIONE: Non usare un caricabatterie rapido o l'avviamento di emergenza. Ciò può causare danni all'impianto elettrico del prodotto.

- Scollegare sempre il caricabatteria prima di avviare il motore.

Per eseguire un avvio di emergenza del motore

Se la batteria è troppo scarica per avviare il motore, è possibile utilizzare dei cavi di avviamento per effettuare un avviamento di emergenza. Questo prodotto dispone di un sistema da 12 V con messa a terra negativa. Il prodotto che viene utilizzato per l'avviamento di emergenza dovrà altresì disporre di un sistema da 12 V con messa a terra negativa.

Per collegare i cavi di avviamento



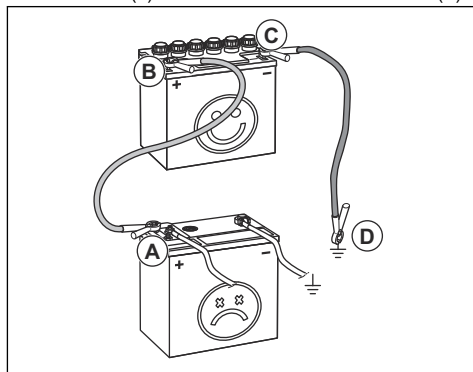
AVVERTENZA: Rischio di esplosione a causa di gas esplosivo che fuoriesce dalla batteria. Non collegare il morsetto negativo della batteria completamente carica al morsetto negativo della batteria scarica o in prossimità di quest'ultimo.



ATTENZIONE: Non utilizzare la batteria del prodotto per avviare altri veicoli.

1. Rimuovere il cofano del motore.

2. Collegare un'estremità del cavo rosso al morsetto POSITIVO (+) della batteria alla batteria scarica (A).



3. Collegare l'altra estremità del cavo rosso al morsetto POSITIVO (+) della batteria alla batteria completamente carica (B).



AVVERTENZA: Non mettere in corto circuito le estremità del cavo rosso sul telaio.

4. Collegare un'estremità del cavo nero al terminale NEGATIVO (-) della batteria completamente carica (C).
5. Collegare l'altra estremità del cavo nero a un PUNTO DI MASSA SUL TELAIO (D), lontano dal serbatoio del carburante e dalla batteria.
6. Riposizionare le coperture.

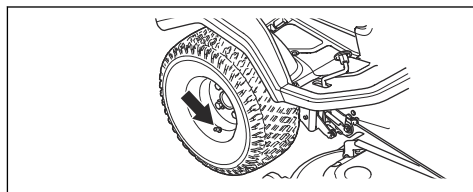
Per rimuovere i cavi di avviamento

Nota: Rimuovere i cavi di avviamento nella sequenza opposta rispetto alla modalità di collegamento.

1. Rimuovere il cavo NERO dal telaio.
2. Rimuovere il cavo NERO dalla batteria completamente carica.
3. Rimuovere il cavo ROSSO dalle 2 batterie.

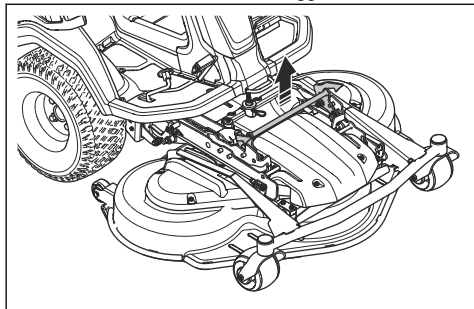
Pressioni degli pneumatici

Assicurarsi che la pressione degli pneumatici sia corretta su tutte e 4 le gomme. Vedere *Dati tecnici alla pagina 163*.

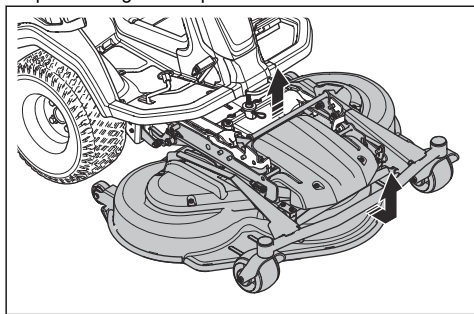


Per mettere il piatto di taglio nella posizione di servizio

1. Attenersi alle fasi 1-7 in *Fissaggio del piatto di taglio alla pagina 138*.
2. Tirare e tenere la leva di bloccaggio.

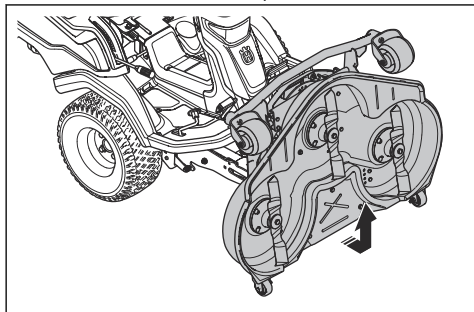


3. Afferrare il bordo anteriore del piatto di taglio e tirare in avanti tenendo la leva di bloccaggio. Tirare il piatto di taglio nella posizione finale.



Nota: Se non è possibile tirare il piatto di taglio fino alla sua posizione finale, rilasciare la leva di bloccaggio e tirarla di nuovo verso l'alto.

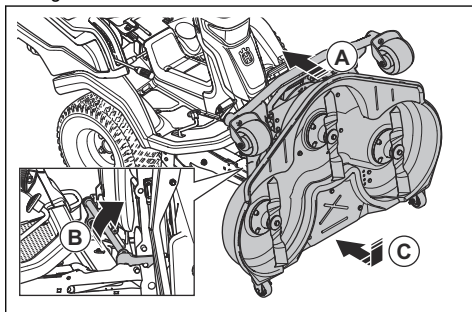
4. Sollevare il piatto di taglio in posizione verticale fino a quando non si avverte un clic. Il piatto di taglio si blocca automaticamente in posizione verticale.



5. Tirare delicatamente in avanti il bordo anteriore del piatto di taglio per assicurarsi che il piatto di taglio sia bloccato.

Per mettere il piatto di taglio in posizione di falciatura

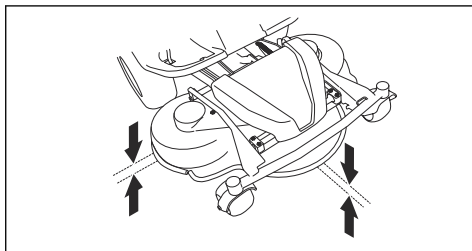
1. Afferrare il bordo anteriore del piatto di taglio (A) con una mano. Premere il piatto di taglio in direzione del prodotto.
2. Tirare la leva di bloccaggio (B) con l'altra mano per disinserire la posizione di bloccaggio del piatto di taglio.



3. Ripiegare il piatto di taglio (C) fino a quando non è a livello del terreno.
4. Tirare la leva di bloccaggio e premere il piatto di taglio in direzione del prodotto finché non si arresta.
5. Spingere verso il basso la leva di bloccaggio.

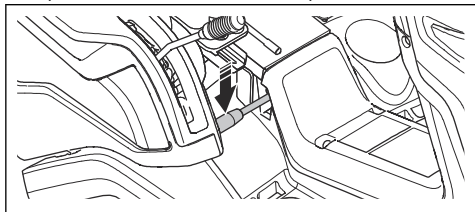
Controllo del parallelismo del piatto di taglio

1. Accertarsi che la pressione degli pneumatici sia corretta. Vedere *Dati tecnici alla pagina 163*.
2. Parcheggiare il prodotto su una superficie piana.
3. Abbassare il piatto di taglio fino alla posizione di falciatura.
4. Impostare la leva dell'altezza di taglio nella posizione di servizio.
5. Misurare la distanza tra il suolo e i bordi anteriore e posteriore del piatto di taglio. Assicurarsi che il bordo posteriore sia di 4-6 mm (1/5") più alto del bordo anteriore.

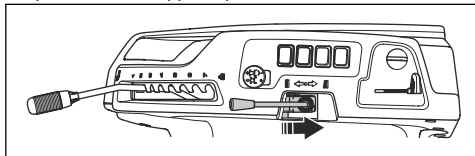


Per regolare il parallelismo del piatto di taglio

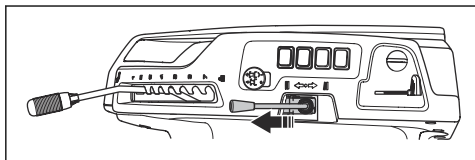
1. Parcheggiare il prodotto su un terreno piano compatto.
2. Azionare il freno di stazionamento.
3. Spostare la leva di trasferimento peso verso il basso.



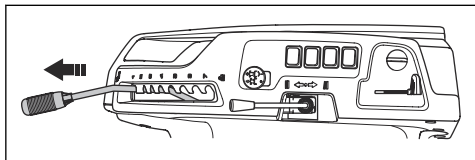
4. Spostare la leva di sollevamento all'indietro e sollevare il piatto di taglio in posizione di trasporto per inserire il supporto per il sollevamento.



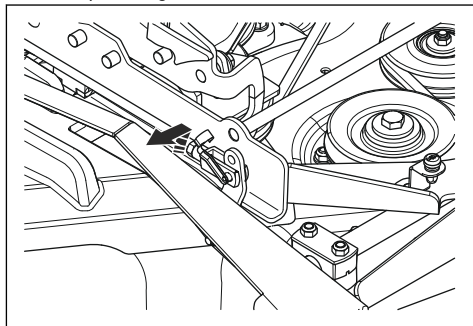
5. Spostare in avanti la leva di sollevamento idraulico e abbassare il piatto di taglio fino alla posizione di falciatura.



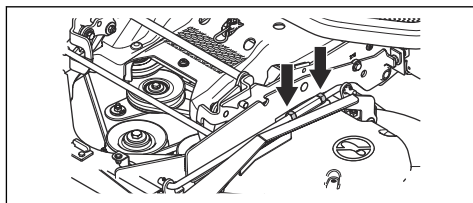
6. Impostare la leva dell'altezza di taglio nella posizione di servizio.



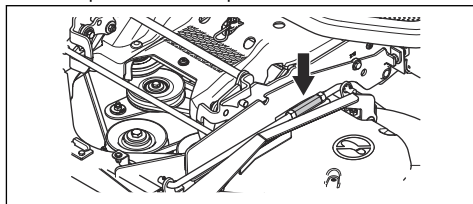
7. Rimuovere il giunto a forcella sul lato anteriore del fermo per la regolazione dell'altezza. Spostare il fermo per la regolazione dell'altezza lateralmente.



8. Allentare i controdadi del fermo di sollevamento.

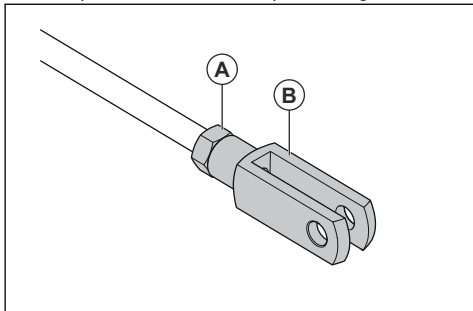


9. Ruotare il dado di regolazione sul fermo di sollevamento per regolarne la lunghezza. Aumentare la lunghezza per sollevare il bordo posteriore del coperchio. Diminuire la lunghezza per abbassare il bordo posteriore del coperchio.



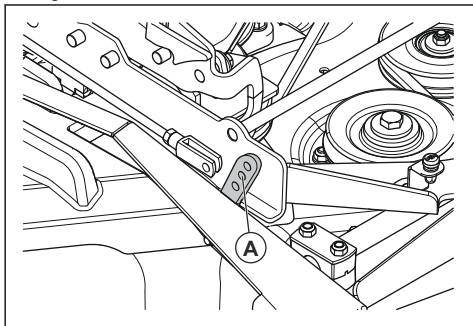
10. Serrare i controdadi del fermo di sollevamento.

11. Allentare il controdado (A) sul giunto a forcella del fermo di regolazione dell'altezza. Ruotare il giunto a forcella (B) sul fermo di regolazione dell'altezza per regolare la lunghezza del fermo. Accertarsi che i giunti a forcella siano allineati con il foro corrispondente sul telaio del piatto di taglio.

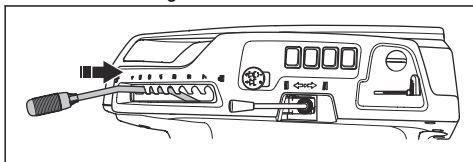


Nota: Le 2 estremità del fermo di regolazione dell'altezza hanno ciascuna un giunto a forcella. Si ottiene lo stesso risultato indipendentemente dal giunto a forcella regolato.

12. Utilizzare il foro intermedio (A) sul telaio del piatto di taglio.

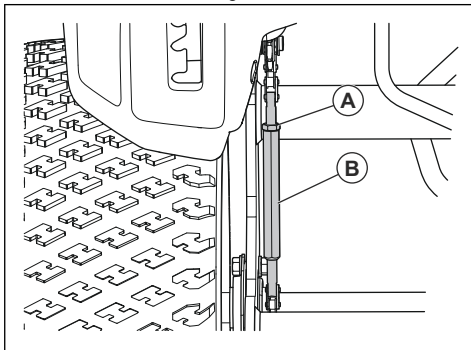


13. Serrare i controdadi sul fermo di regolazione dell'altezza.
14. Spostare la leva dell'altezza di taglio sulla posizione dell'altezza di taglio 1.

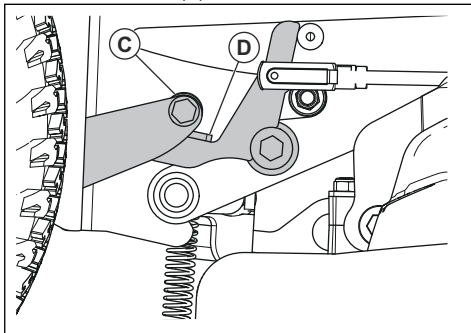


15. Rimuovere la piastra poggipiedi destra. Vedere *Per rimuovere e installare la piastra poggipiedi destra alla pagina 146*.

16. Allentare il controdado (A) sulla vite di tensione della catena dell'altezza di taglio.



17. Ruotare la vite di regolazione (B) sulla catena dell'altezza di taglio fino a quando la ruota mozza (C) non tocca la leva (D).



18. Serrare il controdado sulla vite di tensione.
19. Eseguire un controllo del parallelismo. Vedere *Controllo del parallelismo del piatto di taglio alla pagina 150*.
20. Fissare la piastra poggipiedi destra.

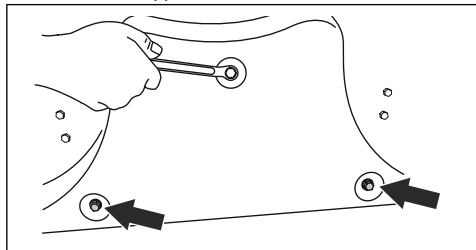
Per rimuovere il tappo BioClip

- Rimuovere il tappo BioClip per modificare un piatto di taglio Combi da BioClip a scarico posteriore dell'erba.

Per rimuovere e fissare il tappo BioClip sul piatto di taglio Combi 103, Combi 112, Combi 122

1. Mettere il piatto di taglio in posizione di servizio. Vedere *Per mettere il piatto di taglio nella posizione di servizio alla pagina 150*.

2. Rimuovere le 3 viti che fissano il tappo BioClip e rimuovere il tappo.



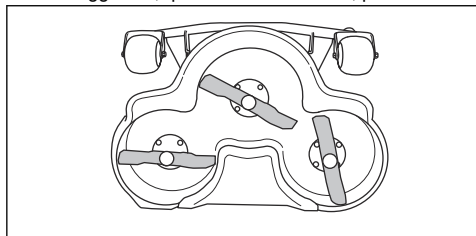
3. Inserire 3 viti M8x15 mm nei fori delle viti per il tappo BioClip per evitare di danneggiare la filettatura.
4. Mettere il piatto di taglio nella posizione di falciatura.
5. Montare il tappo BioClip nella sequenza opposta.

Per esaminare le lame



ATTENZIONE: Lame danneggiate o bilanciate in modo errato possono causare danni al prodotto. Sostituire le lame danneggiate. Affidare a un'officina autorizzata l'affilatura e il bilanciamento delle lame.

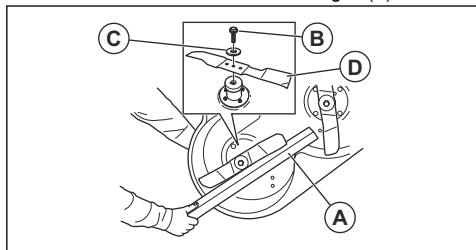
1. Mettere il piatto di taglio in posizione di servizio.
2. Esaminare le lame per verificare se sono danneggiate e, qualora sia necessario, per affilarle.



3. Serrare i bulloni delle lame a una coppia di 75-80 Nm.

Per sostituire le lame

1. Mettere il piatto di taglio in posizione di servizio.
2. Bloccare la lama con un cuneo di legno (A).



3. Allentare e rimuovere il bullone della lama (B), le rondelle (C) e la lama (D).
4. Montare la nuova lama con le estremità ad angolo nella direzione del piatto di taglio.

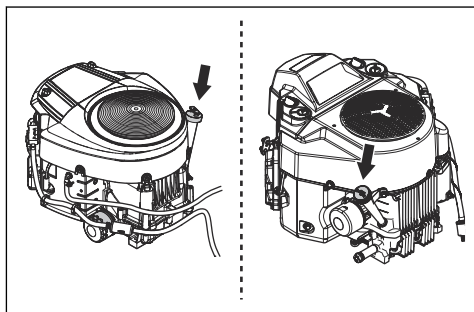


AVVERTENZA: Un tipo di lama errato può causare l'espulsione di oggetti dal piatto di taglio e lesioni gravi. Utilizzare solo le lame indicate in *Dati tecnici alla pagina 163*

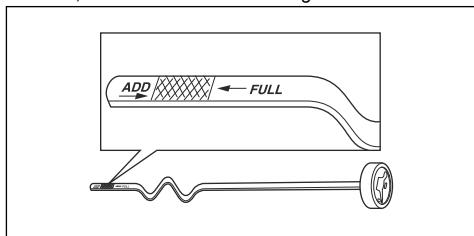
5. Fissare la lama, la rondella e il bullone. Serrare il bullone a una coppia di 75-80 Nm.

Per controllare il livello dell'olio motore

1. Parcheggiare il prodotto su un terreno piano e spegnere il motore.
2. Aprire il cofano motore.
3. Allentare l'asta di livello ed estrarla.



4. Pulire l'olio dall'asta di livello.
5. Inserire l'asta di livello nel foro apposito e serrarla.
6. Allentare e sfilare l'asta di livello e leggere il livello dell'olio.
7. Il livello dell'olio deve essere compreso tra i segni sull'asta di livello. Se il livello si trova vicino al segno ADD, rabboccare l'olio fino al segno FULL.



8. Versare l'olio attraverso il foro dell'asta di livello. Rabboccare lentamente l'olio.

Nota: Fare riferimento a *Dati tecnici alla pagina 163* per i tipi di olio motore raccomandati. Non mescolare tipi diversi di olio.

- Serrare l'asta di livello correttamente prima di avviare il motore. Avviare e far girare il motore al minimo per circa 30 secondi. Spegnerlo il motore. Attendere 30 secondi, quindi eseguire un nuovo controllo del livello dell'olio.

Per sostituire l'olio motore e il filtro dell'olio R 419TsX AWD

Se il motore è freddo, avviare il motore per 1-2 minuti prima di scaricare l'olio motore. Ciò comporta il riscaldamento dell'olio motore, semplificando lo scarico.

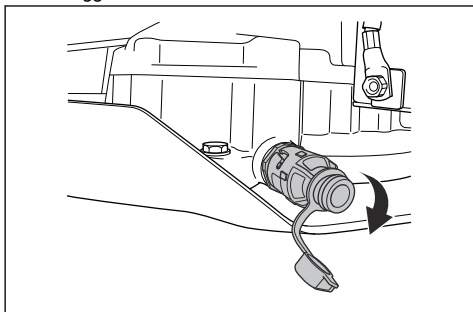


AVVERTENZA: Non avviare il motore per più di 1-2 minuti prima di scaricare l'olio motore. L'olio motore diventa molto caldo e può causare ustioni. Lasciare che il motore si raffreddi prima di scaricare l'olio motore.

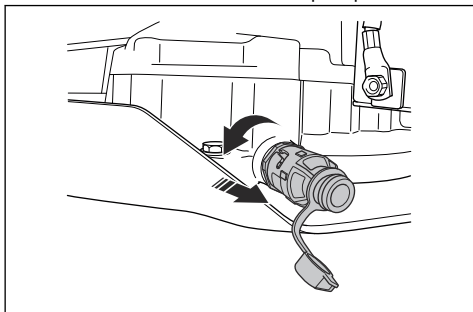


AVVERTENZA: Se si versa accidentalmente dell'olio motore sul proprio corpo, lavare con acqua e sapone.

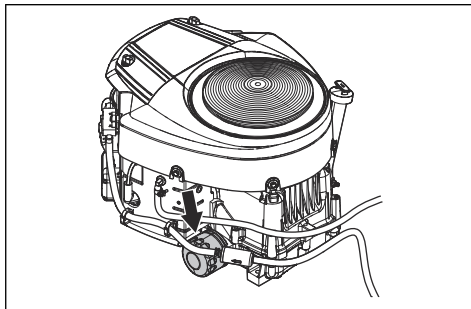
- Aprire il tappo di plastica sull'estremità del tappo di drenaggio dell'olio.



- Per ridurre il rischio di fuoriuscite di olio, collegare un tubo al tappo di drenaggio dell'olio.
- Collocare un contenitore sotto il tappo di drenaggio dell'olio.
- Rimuovere l'asta di livello.
- Ruotare il tappo di drenaggio dell'olio in senso antiorario e tirarlo verso l'esterno per aprirlo.



- Far fuoriuscire l'olio nel contenitore.
- Spingere il tappo di drenaggio dell'olio e ruotarlo in senso orario per chiuderlo.
- Rimuovere il tubo di plastica e mettere il cappuccio sul tappo di drenaggio dell'olio.
- Ruotare il filtro dell'olio in senso antiorario per rimuoverlo.



- Lubrificare leggermente la guarnizione in gomma sul nuovo filtro dell'olio con olio nuovo.
- Per fissare il filtro dell'olio, girarlo in senso orario fino a quando la guarnizione in gomma è in posizione e stringere di un altro mezzo giro.
- Riempire con olio nuovo come indicato in *Dati tecnici alla pagina 163*.
- Avviare il motore e lasciarlo girare al regime minimo per 3 minuti.
- Arrestare il motore e assicurarsi che il filtro dell'olio non presenti perdite.
- Effettuare un controllo del livello dell'olio motore. Vedere *Per controllare il livello dell'olio motore alla pagina 153*.
- Rabboccare l'olio fino al contrassegno FULL sull'astina di livello dell'olio.

Nota: Per lo smaltimento sicuro dell'olio motore esausto, fare riferimento a *Smaltimento alla pagina 162*.

Per sostituire l'olio motore e il filtro dell'olio R 420TsX AWD

Se il motore è freddo, avviare il motore per 1-2 minuti prima di scaricare l'olio motore. Ciò comporta il riscaldamento dell'olio motore, semplificando lo scarico.

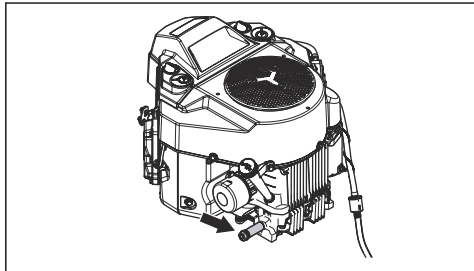


AVVERTENZA: Non avviare il motore per più di 1-2 minuti prima di scaricare l'olio motore. L'olio motore diventa molto caldo e può causare ustioni. Lasciare che il motore si raffreddi prima di scaricare l'olio motore.

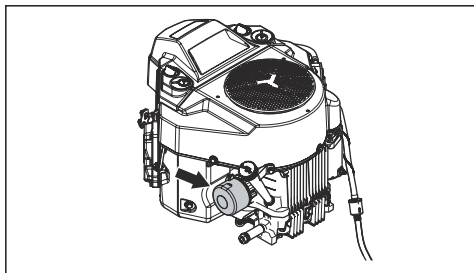


AVVERTENZA: Se si versa accidentalmente dell'olio motore sul proprio corpo, lavare con acqua e sapone.

1. Collocare un contenitore sotto il tappo di drenaggio dell'olio.
2. Rimuovere il dado sul tappo di drenaggio dell'olio.



3. Rimuovere l'asta di livello.
4. Far fuoriuscire l'olio nel contenitore.
5. Spingere il tappo di drenaggio dell'olio e ruotarlo in senso orario per chiuderlo.
6. Fissare il dado sul tappo di drenaggio dell'olio.
7. Ruotare il filtro dell'olio in senso antiorario per rimuoverlo.



8. Lubrificare leggermente la guarnizione in gomma sul nuovo filtro dell'olio con olio nuovo.
9. Per fissare il filtro dell'olio, girarlo in senso orario fino a quando la guarnizione in gomma è in posizione e stringere di un altro mezzo giro.
10. Riempire con olio nuovo come indicato in *Dati tecnici alla pagina 163*.
11. Avviare il motore e lasciarlo girare al regime minimo per 3 minuti.
12. Arrestare il motore e assicurarsi che il filtro dell'olio non presenti perdite.
13. Effettuare un controllo del livello dell'olio motore. Vedere *Per controllare il livello dell'olio motore alla pagina 153*.
14. Rabboccare l'olio fino al contrassegno FULL sull'astina di livello dell'olio.

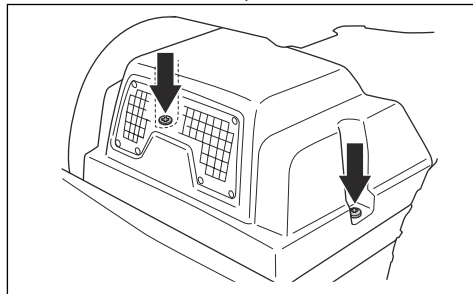
Nota: Per lo smaltimento sicuro dell'olio motore esausto, fare riferimento a *Smaltimento alla pagina 162*.

Per effettuare un controllo del livello dell'olio della trasmissione

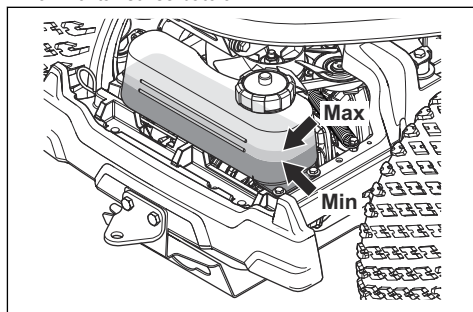


AVVERTENZA: Controllare l'olio della trasmissione quando la trasmissione è fredda.

1. Rimuovere le 2 viti e il coperchio trasmissione.



2. Assicurarsi che il livello dell'olio nel serbatoio dell'olio di trasmissione sia compreso tra le due linee orizzontali sul serbatoio.



3. Rabboccare con olio motore se il livello è al di sotto della linea inferiore, ma non riempire oltre la linea superiore. Vedere *Dati tecnici alla pagina 163* per l'olio consigliato.

Lubrificazione, Informazioni generali

- Estrarre la chiave di accensione per impedire movimenti accidentali durante la lubrificazione.
- Utilizzare olio motore quando si lubrifica con un oliatore.
- Quando si lubrifica con grasso, utilizzare un grasso per telaio o cuscinetti a sfera per evitare la corrosione. Rimuovere il grasso superfluo dopo la lubrificazione.
- Lubrificare 2 volte a settimana se il prodotto viene azionato tutti i giorni.
- Non versare lubrificante sulle cinghie di trasmissione o sulle scanalature delle pulegge cinghia. In caso di versamento, pulire con alcool. Se l'attrito tra la cinghia di trasmissione e la puleggia non è

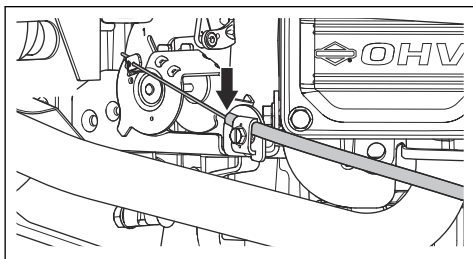
sufficiente dopo aver pulito con alcool, sostituire la cinghia di trasmissione.



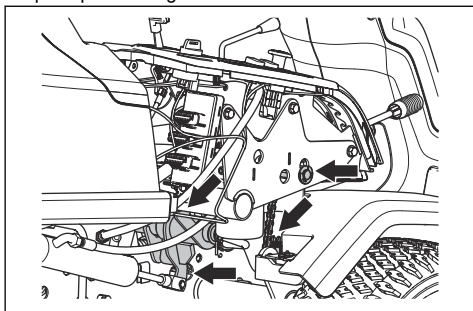
ATTENZIONE: Non usare benzina e altri prodotti derivati dalla benzina per pulire le cinghie di trasmissione.

Per lubrificare il cavo dell'acceleratore, il cavo del comando dell'aria e cuscinetti della leva

1. Rimuovere il coperchio laterale destro.
2. Aprire il cofano motore.
3. Lubrificare le estremità libere dei cavi e le estremità vicino al motore, con olio motore.
4. Portare il comando dell'acceleratore, il comando della valvola dell'aria per il piatto di taglio nelle relative posizioni finali e lubrificare nuovamente i cavi.



5. Lubrificare i giunti, i ganci e i cuscinetti dei comandi per il piatto di taglio con olio motore.

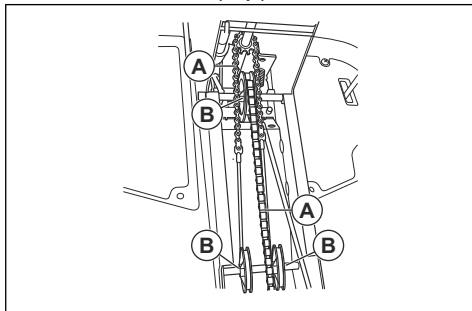


6. Montare il coperchio laterale destro.

Per lubrificare le catene nel tunnel del telaio

1. Rimuovere le 4 viti e rimuovere il coperchio del tunnel del telaio.

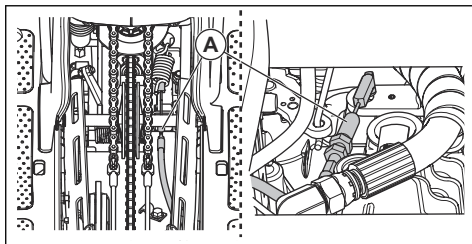
2. Lubrificare le catene (A) nel tunnel del telaio con olio motore o lubrificante spray per catene.



3. Lubrificare con del grasso gli assi della puleggia (B) del cavo dello sterzo.

Per lubrificare il cavo del freno di stazionamento

1. Rimuovere il coperchio del tunnel del telaio e il coperchio laterale. Vedere *Per rimuovere e montare il coperchio del tunnel del telaio alla pagina 146*.
2. Spingere i rivestimenti in gomma (A) nella direzione delle estremità del cavo del freno di stazionamento.



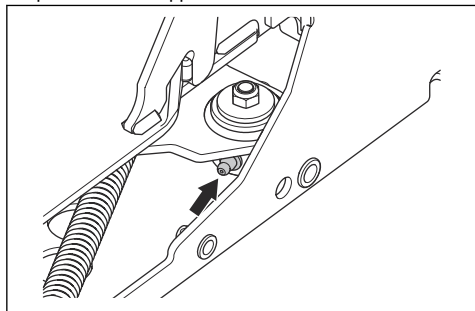
3. Lubrificare le estremità del cavo del freno di stazionamento con olio motore.
4. Premere il pedale del freno di stazionamento 3 volte, quindi lubrificare di nuovo il cavo del freno di stazionamento.
5. Montare i rivestimenti in gomma.
6. Montare il coperchio laterale sinistro e la piastra del telaio.

Per lubrificare il regolatore della cinghia

Il regolatore della cinghia deve essere lubrificato regolarmente con un grasso al bisolfuro di molibdeno di buona qualità.

1. Rimuovere il coperchio cinghia inferiore. Vedere *Per rimuovere i coperchi cinghia inferiori alla pagina 147*.

2. Lubrificare con una pistola ingrassatrice il nipplo sul lato destro, sotto la puleggia cinghia inferiore. Lubrificare finché il grasso non fuoriesce dal lato posteriore del nipplo.

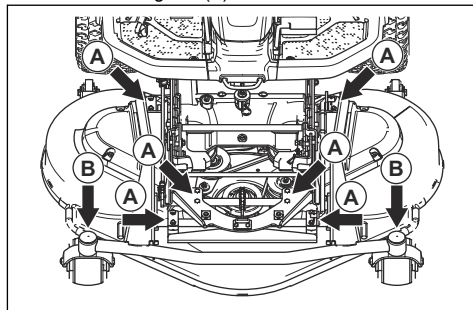


3. Montare il coperchio cinghia e serrare le 5 viti.

Per lubrificare il piatto di taglio

1. Rimuovere il coperchio anteriore.

2. Lubrificare i 6 giunti (A) con olio motore.



3. Lubrificare con una pistola ingrassatrice attraverso il nipplo sui cuscinetti della ruota pivotante per il piatto di taglio (B). Lubrificare finché il grasso non fuoriesce dal lato posteriore del nipplo.

Anomalie di funzionamento




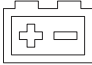



Ricerca dei guasti

Se non si riesce a trovare la soluzione al problema in questo manuale operatore, rivolgersi alla propria officina autorizzata Husqvarna.

Problema	Causa
Il motorino di avviamento non fa girare il motore	Il freno di stazionamento non è inserito. Vedere <i>Per inserire o disinserire il freno di stazionamento alla pagina 141.</i>
	La rotazione delle lame è inserita. Vedere <i>Pulsante PTO (presa di forza) alla pagina 128.</i>
	Un fusibile è bruciato. Vedere <i>Per sostituire i fusibili alla pagina 148.</i>
	La chiave di accensione è difettosa.
	Il collegamento tra il cavo e la batteria è difettoso. Vedere <i>Sicurezza batterie alla pagina 137.</i>
	La batteria è troppo debole. Vedere <i>Per caricare la batteria alla pagina 149.</i>
Il motore non si avvia quando il motorino di avviamento gira il motore	Il motore di avviamento è difettoso.
	Non è presente carburante nel serbatoio. Vedere <i>Per il rifornimento del carburante alla pagina 140.</i>
	La candela è difettosa.
	Il cavo di accensione è difettoso.
	È presente dello sporco nel carburatore o nel tubo del carburante.

Problema	Causa
Il motore non gira in modo regolare	La candela è difettosa.
	Il carburatore è regolato in modo errato.
	Il filtro dell'aria è ostruito. Vedere <i>Per pulire e sostituire il filtro dell'aria alla pagina 148.</i>
	È presente dello sporco nel carburatore o nel tubo del carburante.
Il motore apparentemente non è alimentato	Il filtro dell'aria è ostruito. Vedere <i>Per pulire e sostituire il filtro dell'aria alla pagina 148.</i>
	La candela è difettosa.
	È presente dello sporco nel carburatore o nel tubo del carburante.
	Il cavo dell'acceleratore è regolato in modo errato.
La trasmissione non dispone di sufficiente potenza	Ostruzione dell'ingresso dell'aria fredda della trasmissione o delle alette di raffreddamento.
	La ventola sulla trasmissione è danneggiata.
	Non c'è olio nella trasmissione o il livello dell'olio è troppo basso. Vedere <i>Per effettuare un controllo del livello dell'olio della trasmissione alla pagina 155.</i>
La batteria non si ricarica	La batteria è difettosa. Vedere <i>Per caricare la batteria alla pagina 149.</i>
	Il collegamento in corrispondenza dei connettori del cavo sui morsetti della batteria è difettoso. Vedere <i>Per caricare la batteria alla pagina 149.</i>
Si verificano vibrazioni nel prodotto	Le lame, la puleggia o altre parti rotanti sono allentate. Vedere <i>Manutenzione alla pagina 143.</i>
	Una o più lame non sono bilanciate. Vedere <i>Per esaminare le lame alla pagina 153.</i>
	Il motore è allentato.
Il risultato del taglio è insoddisfacente	Le lame non sono affilate. Vedere <i>Per sostituire le lame alla pagina 153.</i>
	L'erba è alta o bagnata. Vedere <i>Per ottenere un buon risultato di taglio alla pagina 143.</i>
	Il piatto di taglio è danneggiato e non parallelo al terreno.
	C'è dell'erba bloccata nel piatto di taglio. Vedere <i>Pulizia del prodotto alla pagina 144.</i>
	La pressione degli pneumatici è diversa sui lati destro e sinistro. Vedere <i>Pressioni degli pneumatici alla pagina 149.</i>
	Il prodotto funziona a una velocità sul terreno troppo elevata. Vedere <i>Per ottenere un buon risultato di taglio alla pagina 143.</i>
	Il regime del motore è troppo basso. Vedere <i>Per ottenere un buon risultato di taglio alla pagina 143.</i>
	La cinghia di trasmissione si allenta dalle pulegge.

Display - Risoluzione dei problemi

Simbolo	Nome	Simboli sul display	Suono	Causa
	Spia di pendenza	Il simbolo viene visualizzato.	-	Il prodotto viene utilizzato su una pendenza >10°. Vedere <i>Taglio dell'erba in pendenza alla pagina 136</i> .
		Il simbolo lampeggia.	-	Il prodotto viene utilizzato su una pendenza >15°. Vedere <i>Taglio dell'erba in pendenza alla pagina 136</i> .
	Spia della temperatura dell'olio trasmissione	Il simbolo viene visualizzato.	1 suono prolungato.	La temperatura dell'olio trasmissione è eccessiva.
		Il simbolo lampeggia rapidamente.	-	Contattare il centro di assistenza Husqvarna.
	Sensore pressione olio	Il simbolo viene visualizzato.	1 suono prolungato.	Bassa pressione dell'olio. Vedere <i>Per controllare il livello dell'olio motore alla pagina 153</i> .
	Spia livello batteria	Il simbolo viene visualizzato.	1 suono prolungato.	Tensione bassa. Vedere <i>Per caricare la batteria alla pagina 149</i> .
	Spia del piatto di taglio	Il simbolo lampeggia.	5 brevi segnali acustici.	Il piatto di taglio non è collegato e il pulsante PTO è inserito. Vedere <i>Fissaggio del piatto di taglio alla pagina 138</i> .
	Spia del pulsante PTO	Il simbolo viene visualizzato.	-	Pulsante PTO inserito. Vedere <i>Condizioni operative alla pagina 135</i> .
		Il simbolo lampeggia.		Procedura di avviamento non corretta. Vedere <i>Condizioni operative alla pagina 135</i> .
		Il simbolo lampeggia rapidamente.		Pulsante PTO difettoso. Contattare il centro di assistenza Husqvarna.
	Spia freno di stazionamento	Il simbolo viene visualizzato.	-	Il freno di stazionamento è stato inserito. Vedere <i>Per inserire o disinserire il freno di stazionamento alla pagina 141</i> .
		Il simbolo lampeggia.		Procedura di avviamento non corretta. Vedere <i>Condizioni operative alla pagina 135</i> .
		Il simbolo lampeggia rapidamente.		Freno di stazionamento difettoso. Contattare il centro di assistenza Husqvarna.

Simbolo	Nome	Simboli sul display	Suono	Causa
	Spia OPC	Il simbolo lampeggia.	5 brevi segnali acustici.	Microinterruttore del sedile disinserito quando si tenta di avviare il motore. Vedere <i>Condizioni operative alla pagina 135</i> .
		Il simbolo lampeggia rapidamente.	-	Microinterruttore sedile difettoso. Contattare il centro di assistenza Husqvarna.
	Trasferimento peso	Il simbolo viene visualizzato.	-	Leva di trasferimento peso disinserita.
	Spia di manutenzione	Il simbolo viene visualizzato.	5 brevi segnali acustici.	È necessario eseguire la manutenzione. Contattare il centro di assistenza Husqvarna.
	Spia carburante	Il simbolo viene visualizzato.	1 breve segnale acustico.	Basso livello di carburante. Vedere <i>Per il rifornimento del carburante alla pagina 140</i> .
	Funzione Bluetooth®	Il simbolo lampeggia.	-	Il prodotto è bloccato. Sbloccare il prodotto con l'app Husqvarna Connect.
	Blocco digitale	Il simbolo viene visualizzato.	-	Il prodotto è bloccato. Sbloccare il prodotto con l'app Husqvarna Connect.

Nota: I simboli e le posizioni dei simboli sul display possono differire tra i vari modelli.

Trasporto, stoccaggio e smaltimento

Trasporto

- Il prodotto ha un peso elevato e può causare lesioni da schiacciamento. Prestare attenzione durante il caricamento su un veicolo o rimorchio o durante lo scaricamento.
- Utilizzare un rimorchio omologato per il trasporto del prodotto.
- Accertarsi di conoscere le norme sulla circolazione stradale prima del trasporto del prodotto in un rimorchio o su strada.

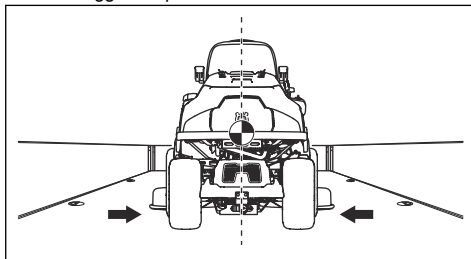
Per fissare il prodotto in modo sicuro a un rimorchio per il trasporto

Prima di fissare il prodotto, leggere e comprendere il capitolo sulla sicurezza. Vedere *Sicurezza alla pagina 133*.

durante il trasporto. Fissare saldamente il prodotto al vano di carico.

Attrezzatura: 2 cinghie omologate e 4 blocchi fermaruote a forma di cuneo.

1. Parcheggiare il prodotto al centro del vano di carico.



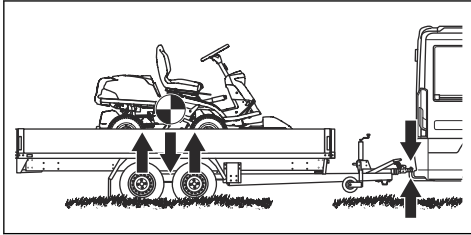
AVVERTENZA: Il freno di stazionamento non è sufficiente per bloccare il prodotto



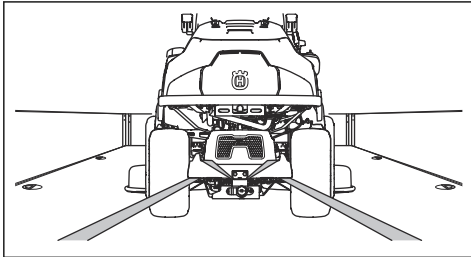
AVVERTENZA: Per il trasporto su veicoli con copertura, lasciare che il prodotto si

sia raffreddato prima di collocarlo sotto la copertura.

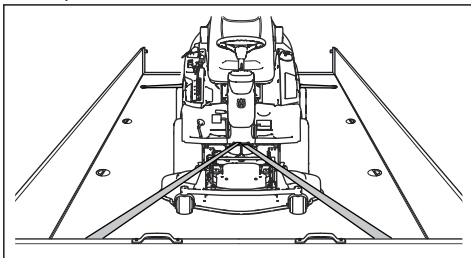
- Assicurarsi che il centro di gravità del prodotto sia al di sopra dell'asse della ruota del veicolo di trasporto. Se si utilizza un rimorchio per il trasporto, assicurarsi che la deportanza sulla barra di traino sia corretta.



- Azionare il freno di stazionamento.
- Bloccare il prodotto con l'app Husqvarna Connect.
- Abbassare il piatto di taglio nella posizione di falciatura.
- Rimuovere eventuali oggetti non fissati.
- Montare la prima cinghia sul telaio posteriore della trasmissione.

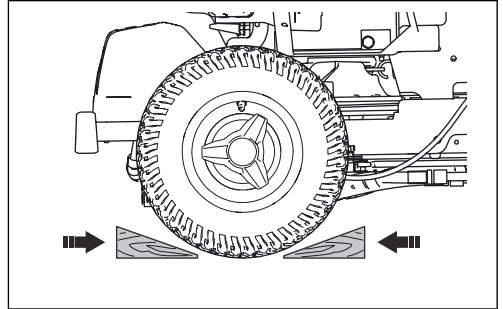


- Stringere la cinghia all'indietro.
- Inserire la seconda cinghia attraverso l'occhiello di trasporto.



- Fissare la cinghia al vano di carico.
- Stringere la cinghia in direzione della parte anteriore del vano di carico.

- Posizionare i fermaruote davanti e dietro alle ruote posteriori.



Per il traino del prodotto

Il prodotto è dotato di trasmissione idrostatica. Per evitare danni alla trasmissione, rimorchiare il prodotto solo per brevi distanze e a bassa velocità.

Disinnestare la trasmissione prima di trainare il prodotto. Vedere *Per inserire e disinserire il sistema di trasmissione alla pagina 141*.

Archiviazione

Preparare il prodotto per il rimessaggio al termine della stagione e in caso di inutilizzo per un periodo superiore a 30 giorni. Se si lascia il carburante all'interno del serbatoio del carburante per 30 giorni o più, le particelle appiccicose possono creare intasamenti nel carburatore. Ciò ha un effetto negativo sul funzionamento del motore.

Per evitare la formazione di particelle appiccicose durante il rimessaggio, aggiungere uno stabilizzatore. Se si utilizza benzina alchilata, lo stabilizzatore non è necessario. Se si utilizza benzina standard, non passare alla benzina alchilata. Ciò può causare l'indurimento dei componenti sensibili di gomma. Aggiungere lo stabilizzatore alla benzina nel serbatoio o nel contenitore utilizzato per lo stoccaggio. Utilizzare sempre i rapporti di miscelazione indicati dal produttore. Far girare il motore per almeno 10 minuti dopo aver aggiunto lo stabilizzatore fino a quando non scorre nel carburatore.



AVVERTENZA: Non conservare il prodotto con del carburante nel serbatoio in un luogo chiuso o in luoghi con scarsa circolazione d'aria. Se i vapori tossici entrano a contatto con fiamme, scintille o fiamme pilota, come ad esempio in caldaie, serbatoi d'acqua calda e asciugatrici, sussiste il rischio di incendio.



AVVERTENZA: Rimuovere l'erba, le foglie e altri materiali infiammabili dal prodotto per ridurre il rischio di incendio. Lasciare che il prodotto si raffreddi prima del rimessaggio.

- Pulire il prodotto, vedere *Pulizia del prodotto alla pagina 144*. Ritoccare la vernice danneggiata per evitare la corrosione.
- Esaminare il prodotto per verificare la presenza di parti usurate o danneggiate e serrare le viti e i dadi allentati.
- Rimuovere la batteria. Pulirla, caricarla e conservarla in un luogo fresco durante il rimessaggio.
- Cambiare l'olio motore e smaltire l'olio di scarico.
- Svuotare il serbatoio del carburante. Avviare il motore e farlo girare fino a quando non si esaurisce tutto il carburante nel carburatore.

Nota: Non svuotare il serbatoio del carburante e il carburatore se si è aggiunto lo stabilizzatore.

- Rimuovere i tappi e versare circa un cucchiaio di olio motore in ogni cilindro. Ruotare manualmente l'albero motore per applicare uniformemente l'olio e riavvitare i tappi.
- Lubrificare tutti gli ingrassatori, i giunti e gli assali.
- Conservare il prodotto in un'area pulita e asciutta e coprirlo per una maggiore protezione.
- Un coperchio per proteggere il prodotto durante lo stoccaggio o il trasporto è disponibile presso il proprio rivenditore.

Smaltimento

- Le sostanze chimiche possono essere pericolose e non devono essere disperse nel suolo. Smaltire sempre le sostanze chimiche utilizzate presso un centro di assistenza o un centro di smaltimento autorizzato.
- Quando il prodotto è usurato, inviarlo al rivenditore o a un centro di riciclaggio autorizzato.
- Olio, filtri dell'olio, carburante e batteria possono contaminare l'ambiente. Rispettare le norme locali sul riciclaggio e le normative vigenti.
- Non smaltire la batteria come un rifiuto domestico.
- Inviare la batteria a un'officina Husqvarna o smaltirla in un centro specializzato nello smaltimento delle batterie usate.

Dati tecnici

Dati tecnici

	R 419TsX AWD	R 420TsX AWD
Dimensioni		
Lunghezza senza piatto di taglio, mm	2116	2116
Larghezza senza piatto di taglio, mm	964	964
Altezza, mm	1178	1178
Peso senza piatto di taglio, con serbatoi vuoti, kg	304	316
Passo, mm	958	958
Carreggiata, anteriore, mm	760	760
Carreggiata, posteriore, mm	723	723
Dimensioni degli pneumatici	200/65 - 8	200/65 - 8
Pressioni degli pneumatici, posteriore - anteriore, kPa / bar / psi	80 / 0,8 / 12,0	80 / 0,8 / 12,0
Pendenza massima, gradi °	10	10
Peso massimo attrezzatura trainata, kg	150	150
Motore		
Marca / Modello	Briggs & Stratton / M40 Endurance 7200	Kawasaki FS651V
Potenza nominale motore, kW ²⁰	11,8	14,0
Cilindrata, cm ³	656	726
Massimo regime del motore, giri/min	2900 ± 100	3000 ± 100
Carburante, numero minimo di ottani senza piombo, max 10% di etanolo	91	91
Volume serbatoio, litri	17	17
Olio	Classe SF, SG, SH o SJ SAE40, SAE30, SAE10W-30, SAE10W-40 o SAE5W-20	Classe SF, SG, SH o SJ SAE40, SAE30, SAE10W-30, SAE10W-40 o SAE5W-20
Volume dell'olio filtro incluso, litri	1,9	2,1
Volume dell'olio filtro escluso, litri	1,8	1,8
Motorino di avviamento	Avviamento elettrico 12 V	Avviamento elettrico 12 V
Trasmissione		
Marchio	Tuff Torq	Tuff Torq

²⁰ La potenza nominale del motore indicata corrisponde alla potenza netta media (al rapporto giri/min specificato) di un tipico motore in fase di produzione per il modello di motore misurato dalla normativa SAE J1349/ISO1585. I motori per produzione di massa potrebbero presentare un valore diverso da questo. La potenza effettiva del motore installato nel prodotto finale dipende dalla velocità di funzionamento, dalle condizioni ambientali e da altri valori.

	R 419TsX AWD	R 420TsX AWD
Modello	K664M / KTM10T	K664M / KTM10T
Olio, classe SF-CC	SAE 10W/50 Synthetic	SAE 10W/50 Synthetic
Impianto elettrico		
Tipo	12V, messa a terra negativa	12V, messa a terra negativa
Batteria	12 V, 24 Ah	12 V, 24 Ah
Candela	Champion XC92YC	NGK BPR4ES
Distanza tra gli elettrodi, mm/pollici	0,75/0,030	0,75/0,030
Piatto di taglio		
Tipo	Combi 103	Combi 103
	Combi 112	Combi 112
		Combi 122

Emissioni di rumore ²¹	R 419TsX AWD	R 420TsX AWD
Livello potenza acustica, misurato dB(A)		
Combi 103	99	99
Combi 112	98	97
Combi 122	-	101
Livello potenza acustica, garantito dB(A)		
Combi 103	100	100
Combi 112	99	98
Combi 122	-	102

Livelli di rumorosità ²²	R 419TsX AWD	R 420TsX AWD
Livello di pressione sonora all'orecchio dell'operatore, dB(A)		
Combi 103	84	84
Combi 112	83	82
Combi 122	-	87

²¹ Emissioni di rumore nell'ambiente misurate come potenza sonora (L_{WA}) in base alla direttiva CE 2000/14/CE.

²² Livello di pressione acustica in ottemperanza alla norma EN ISO 5395. I dati riportati per il livello di pressione acustica hanno una dispersione statistica tipica (deviazione standard) di 1,2 dB(A).

	R 419TsX AWD	R 420TsX AWD
Livelli di vibrazioni²³		
Livello di vibrazioni sul volante, m/s ²	2,35	2,67
Livello di vibrazioni sul sedile, m/s ²	0,17	0,15

Piatto di taglio	Combi 103	Combi 112	Combi 122
Larghezza di taglio, mm	1030	1120	1220
Altezza di taglio, mm	25-75	25-75	25-75
Peso, kg	63	66	73
Lunghezza della lama, mm	388	420	454
Lama			
Codice articolo	504 19 04-10	544 10 27-10	535 42 94-10



AVVERTENZA: Utilizzare un piatto di taglio non omologato per il prodotto può causare l'espulsione ad alta velocità di oggetti e

lesioni gravi. Non utilizzare piatti di taglio diversi da quelli indicati in questo manuale.

Dati di frequenza radio

	R 419TsX AWD	R 420TsX AWD
Gamma di frequenza, MHz	2402-2480	2402-2480
Potenza erogata ²⁴ , dBm	-2.4	-2.4

Assistenza

Assistenza

Eseguire un controllo annuale presso un centro di assistenza autorizzato per assicurarsi che il prodotto funzioni in modo sicuro e al meglio durante l'alta stagione. Il momento migliore per eseguire la manutenzione o la revisione del prodotto è la bassa stagione.

Quando si ordinano i ricambi, fornire le informazioni sull'anno di acquisto, il modello, il tipo e il numero di serie.

Utilizzare sempre ricambi originali.

²³ Livello di vibrazioni in ottemperanza alla norma EN ISO 5395. I dati riportati per il livello di vibrazioni hanno una dispersione statistica tipica (deviazione standard) di 0,2 m/s² (volante) e 0,8 m/s² (sedile).

²⁴ Misurata a 2.440 MHz.

Garanzia della trasmissione

La garanzia della trasmissione è valida solo se vengono eseguiti i controlli della velocità di rotazione delle ruote anteriori e posteriori come indicato nel programma di manutenzione. Per evitare di danneggiare il sistema di trasmissione, è necessario affidarne la regolazione a un'officina autorizzata.

Dichiarazione CE di conformità

Dichiarazione di conformità CE

Husqvarna AB, SE-561 82 Huskvarna, Svezia, tel.: +46-36-146500, dichiara che i **trattorini rasaerba Husqvarna R 419TsX AWD e R 420TsX AWD** con numero di serie a partire da 2019 (la targhetta dei dati di funzionamento indica chiaramente anno e numero di serie) sono conformi alle norme previste nelle seguenti DIRETTIVE DEL CONSIGLIO:

- del 17 maggio 2006 "sulle macchine" **2006/42/CE**.
- dell'8 maggio 2000 "sull'emissione di rumore nell'ambiente" **2000/14/CE**.
- dell'8 giugno 2011 "sulla restrizione dell'uso di determinate sostanze pericolose" **2011/65/UE**.
- del 16 aprile 2014 "relativa ad apparecchiature radio" **2014/53/UE**

Informazioni relative alle emissioni di rumore e alla larghezza di taglio, vedere Dati tecnici.

Sono state applicate le seguenti norme armonizzate:

EN ISO 12100, EN ISO 5395-1, EN ISO 5395-3, EN ISO 14982, EN 300 328, EN 50581

Se non diversamente specificato, le norme sopra elencate sono le ultime versioni pubblicate.

Organo competente: **0404, RISE SMP Svensk Maskinprovning AB, Box 7035, SE-750 07 Uppsala** ha

pubblicato rapporti relativi all'attestazione della conformità in base all'allegato VI della DIRETTIVA DEL CONSIGLIO dell'8 maggio 2000 "sull'emissione di rumore nell'ambiente" 2000/14/CE.

I certificati portano i numeri: 01/901/317, 01/901/318, 01/901/319

Huskvarna, 2019-03-01



Claes Losdal, Responsabile sviluppo/Prodotti per il giardino (rappresentante autorizzato per Husqvarna AB e responsabile della documentazione tecnica)

Marchi registrati

Il marchio denominativo e i logo *Bluetooth®* sono marchi registrati di proprietà di *Bluetooth SIG, inc.* e qualsiasi utilizzo di tali marchi da parte di Husqvarna è soggetto a licenza.



www.husqvarna.com

Original instructions

1140581-30



2019-03-08