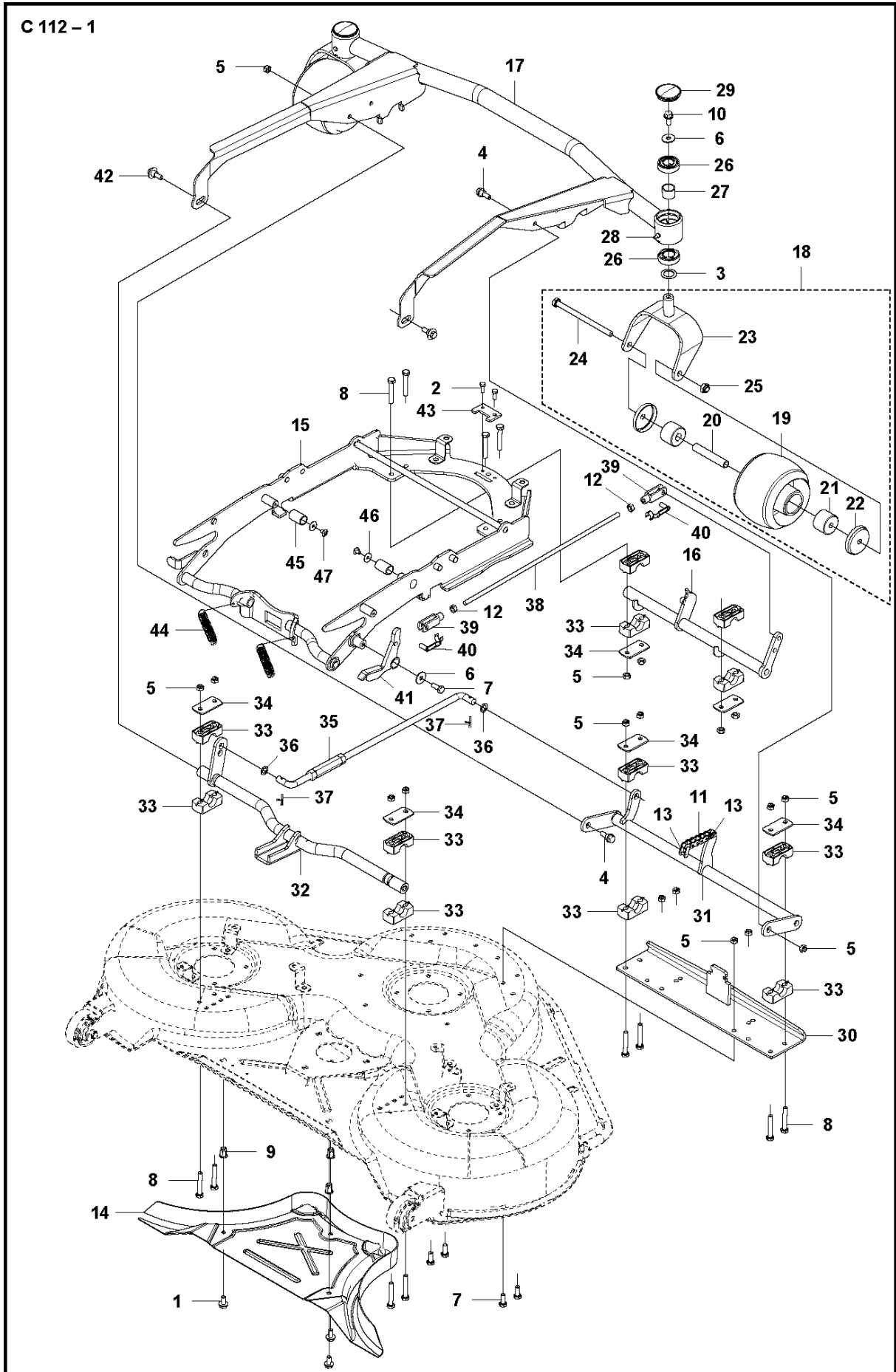




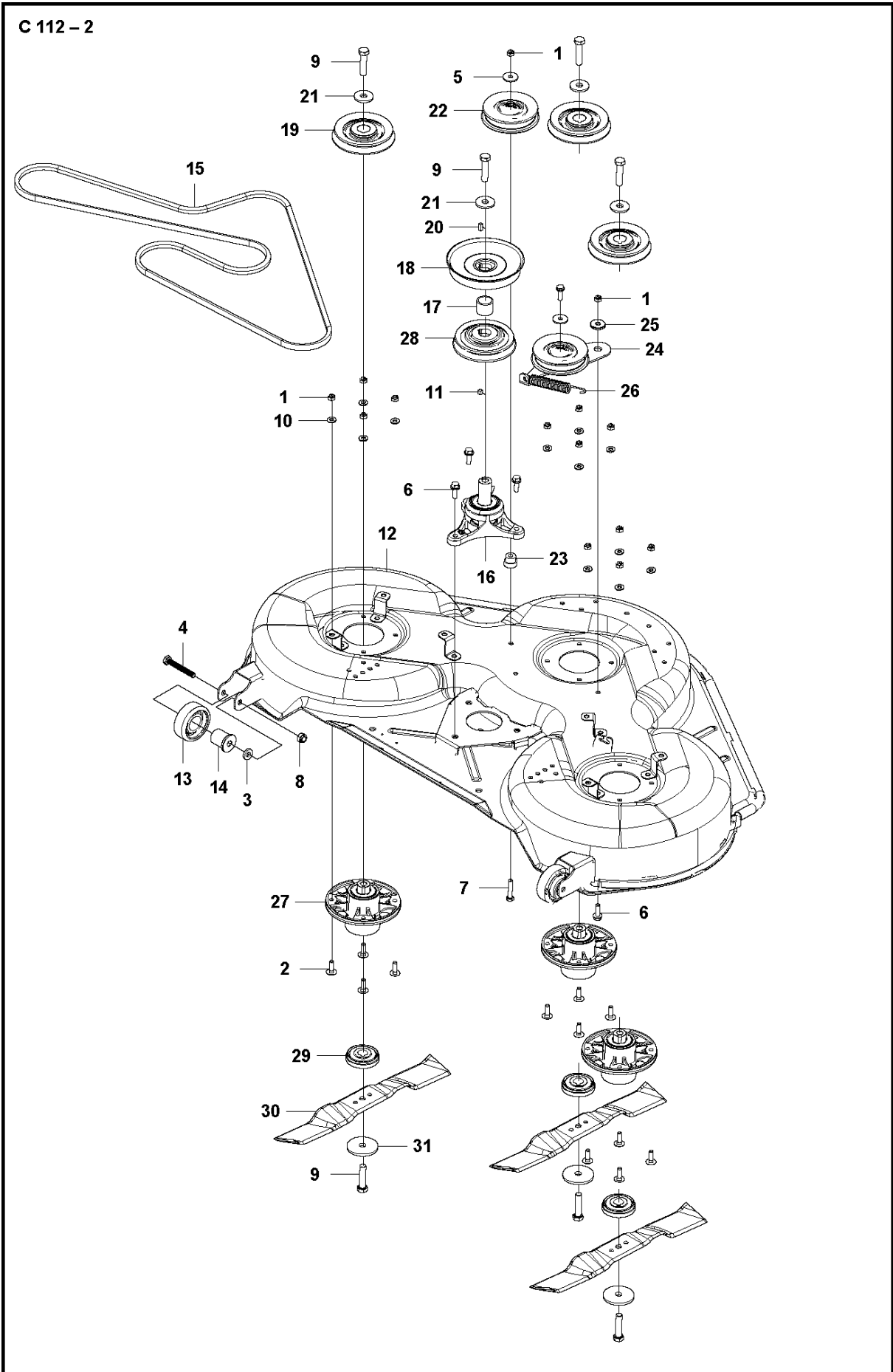
SPARE PARTS LIST

RIDERS

CUTTING DECK, C 112, R400-series,
967649001, 2019-01

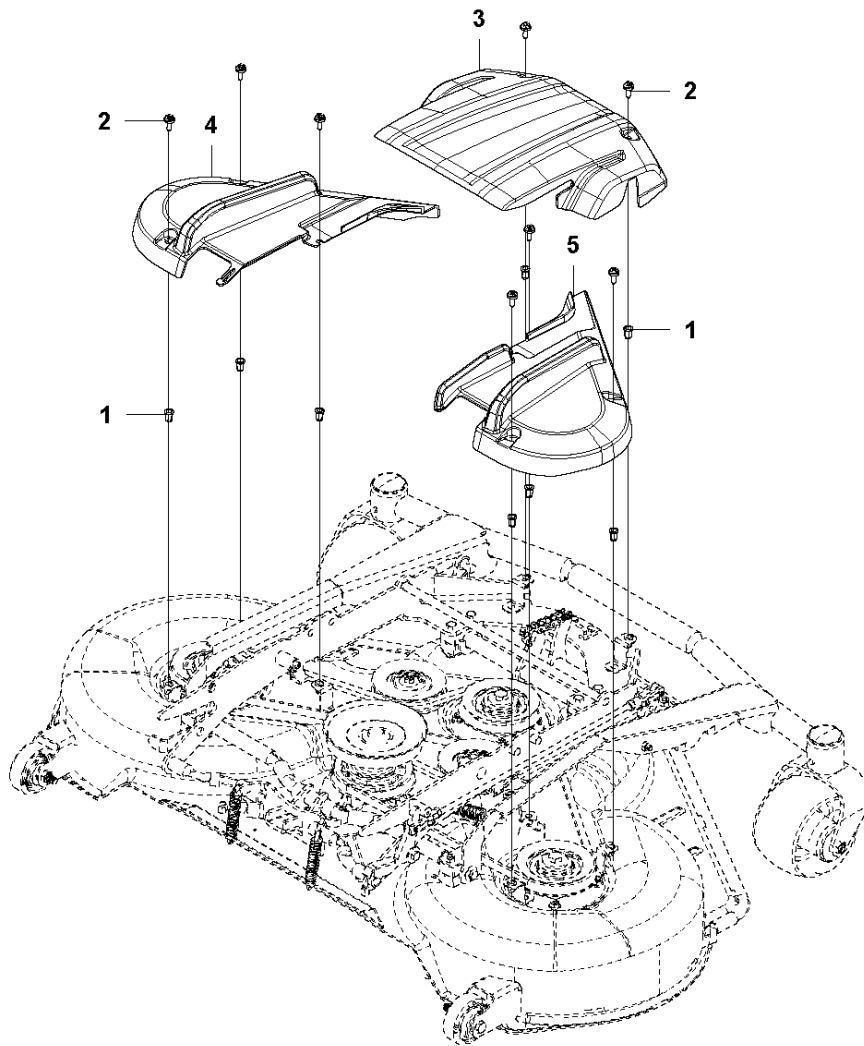


Ref	Part No	Description	Remark	QTY KIT
1	506 57 01-03	SCREW EHHFM		3
2	725 23 68-61	SCREW EHHFT		2
3	506 50 48-05	WASHER		2
4	506 59 74-01	SCREW EHHFM		2
5	732 21 18-01	LOCK NUT		18
6	734 11 64-41	WASHER		3
7	725 24 51-71	SCREW EHHM		5
8	725 24 61-51	SCREW EHHM		12
9	506 91 62-01	NUT		3
10	506 57 01-04	SCREW EHHFM		2
11	597 21 52-01	CHAIN		1
12	731 23 18-01	HEXAGON NUT		2
13	578 38 13-01	LOCK		2
14	544 44 93-01	PLUG		1
15	589 78 58-03	DECK ATTACHMENT		1
16	597 17 37-04	TUBE ASSY		1
17	589 78 57-02	DECK FRAME		1
18	596 31 64-03	PIVOT WHEEL ASSY		2
19	582 80 26-01	WHEEL		1
20	506 81 08-03	TUBE		1
21	590 66 75-01	BEARING SLEEVE		2
22	590 68 36-01	DUST COVER		2
23	535 50 46-01	FORK		1
24	725 25 19-51	SCREW EHHM		1
25	732 21 20-51	NUT		1
26	590 04 61-01	BALL BEARING		4
27	582 57 87-01	SPACER		2
28	738 88 10-01	LUBRICATION NIPPLE		2
29	581 82 83-01	DUST COVER		2
30	591 37 49-02	BRACKET		1
31	590 08 13-02	CROSSBAR		1
32	590 08 14-02	CROSSBAR		1
33	506 86 96-01	BEARING		12
34	506 81 38-01	REINFORCING PLATE		6
35	590 06 10-02	ADJUSTMENT ROD		1
36	504 46 08-01	WASHER		2
37	721 61 83-01	SPLIT PIN		2
38	593 97 96-02	ROD		1
39	596 85 70-01	CLEVIS		2
40	596 85 70-02	CLEVIS		2
41	596 40 36-01	LINK ASSY		1
42	544 36 24-01	SCREW		2
43	594 72 89-01	LOCK		1
44	506 54 25-02	SPRING		2
45	596 39 93-01	SLEEVE		2
46	734 18 13-51	WASHER		2
47	535 42 58-01	SCREW IHPANM		2



Ref	Part No	Description	Remark	QTY KIT
1	732 21 18-01	LOCK NUT		14
2	535 42 38-01	SCREW RSQM		12
3	575 86 63-01	WASHER		2
4	577 37 67-01	SCREW EHHM		2
5	544 22 16-01	WASHER		1
6	506 57 01-05	SCREW EHHFM		4
7	725 24 59-51	SCREW EHHM		1
8	732 21 20-01	LOCK NUT		2
9	725 25 42-51	SCREW EHHM		7
10	734 11 64-01	WASHER		12
11	577 70 89-01	KEY		1
12	590 09 81-02	DECK SHELL ASSY		1
13	589 24 56-01	WHEEL		2
14	582 55 46-01	HUB		2
15	594 96 40-01	BELT		1
16	593 84 46-01	BEARING HOUSING ASSY		1
17	590 52 53-01	SPACER		1
18	590 20 23-01	PULLEY ASSY		1
19	535 42 90-01	PULLEY		3
20	506 53 35-01	PARALLEL KEY		7
21	535 42 92-01	WASHER		4
22	506 53 27-01	PULLEY		1
23	506 82 68-02	BUSHING		1
24	593 84 17-01	BELT TENSIONER ASSY		1
25	584 28 86-01	WASHER		1
26	506 53 31-01	SPRING		1
27	576 89 90-02	BLADE HOUSING ASSY		3
28	590 70 16-01	PULLEY ASSY		1
29	535 50 42-01	ADAPTER		3
30	504 18 78-10	BLADE		3
31	588 14 56-02	PLATE		3

C 112 - 3



6 — **Combi 112**



Ref	Part No	Description	Remark	QTY KIT
1	506 91 62-02	NUT		8
2	574 85 62-02	SCREW		8
3	593 74 12-01	COVER		1
4	593 10 14-01	COVER		1
5	593 10 15-01	COVER		1
6	544 23 81-05	LABEL		1
7	574 51 00-01	DECAL		2