

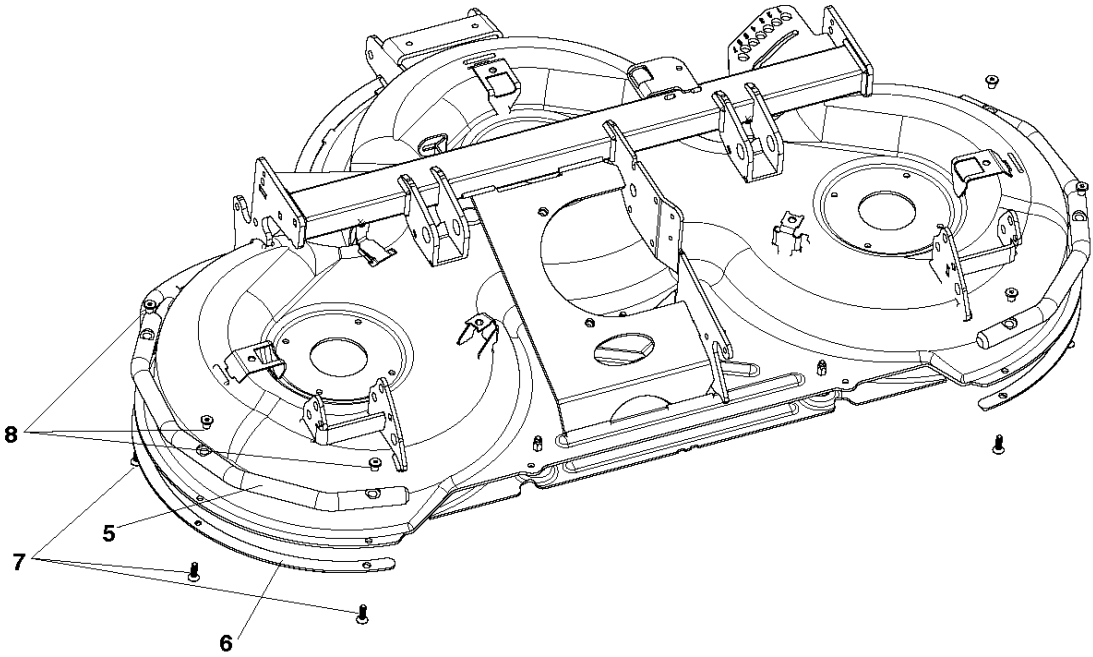
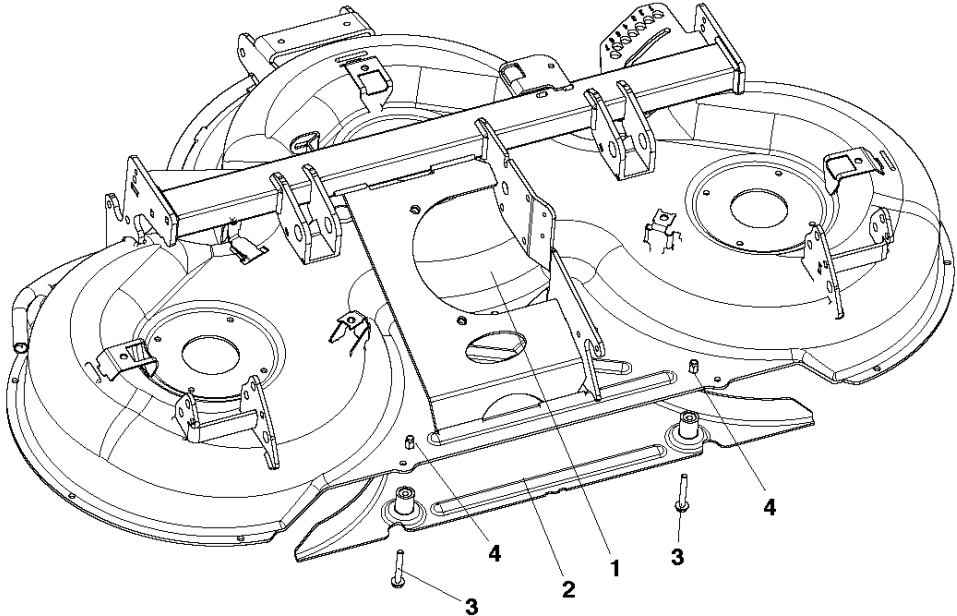


# SPARE PARTS LIST

## RIDERS

CUTTING DECK C132, 967293801,  
2015-01, 967978301, 2019-09

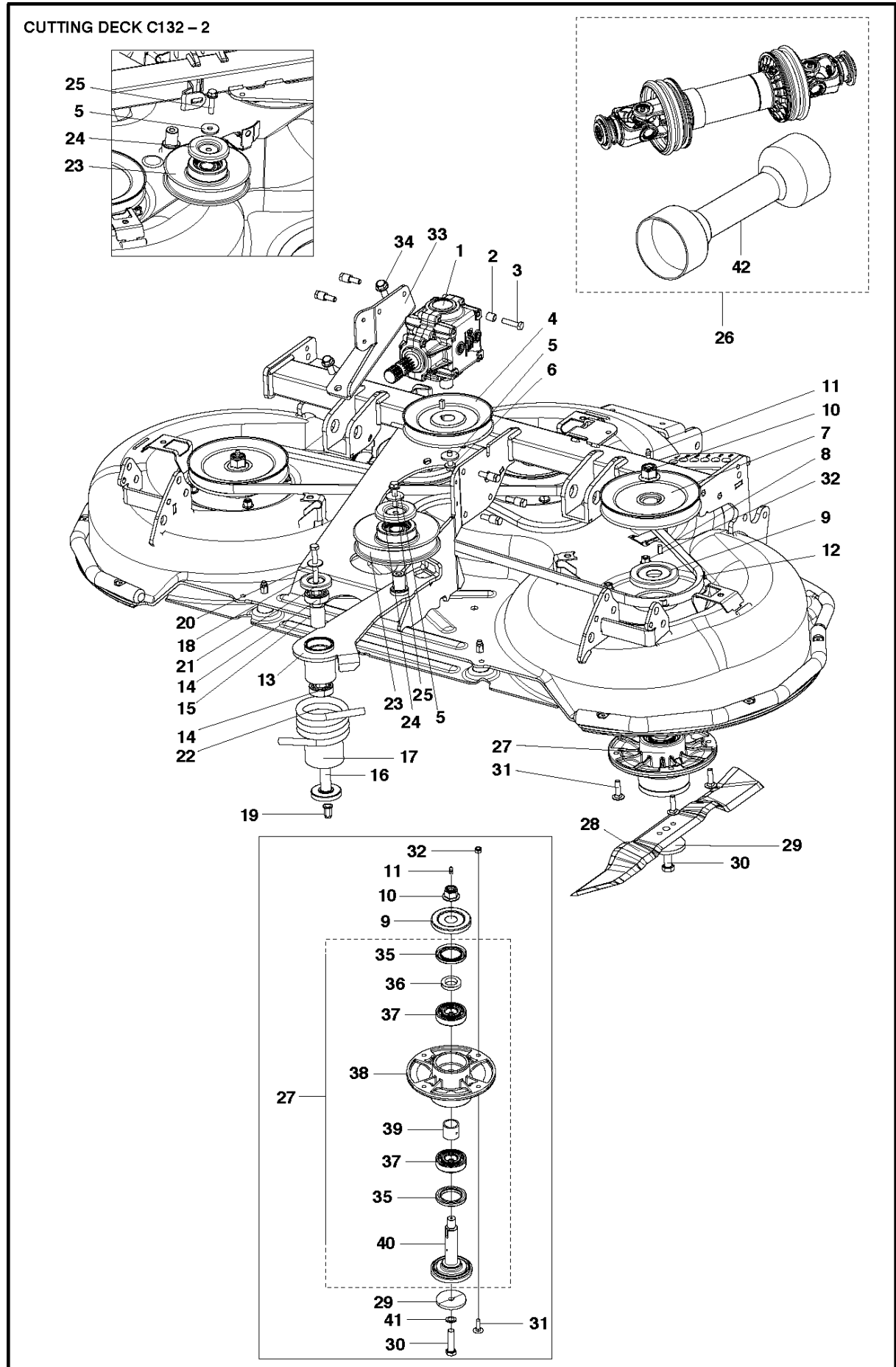
CUTTING DECK C132 - 1



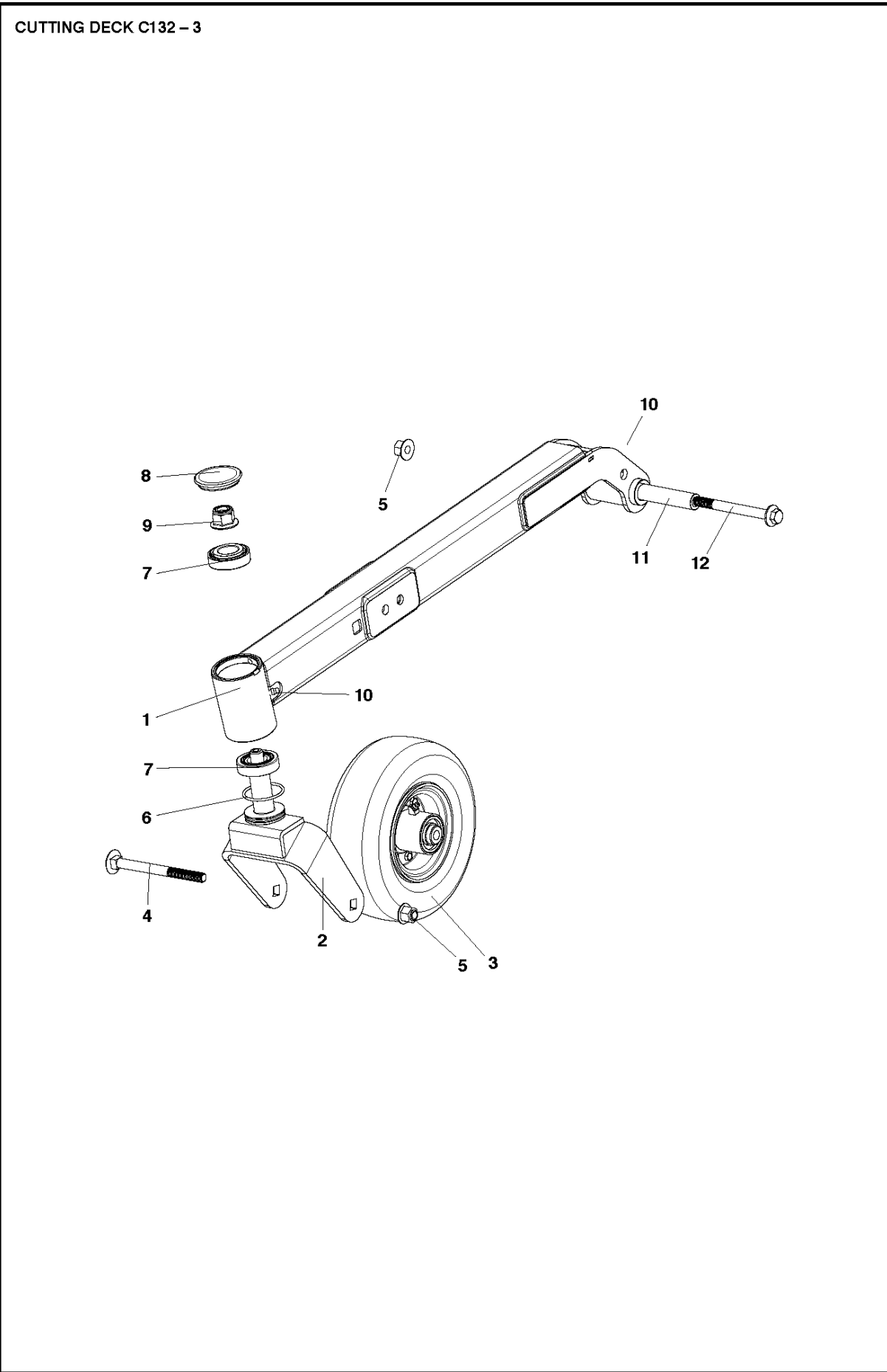
## 52"/132CM CUTTING DECK

CUTTING DECK C132, 967293801, 2015-01, 967978301, 2019-09

Ref	Part No	Description	Remark	QTY KIT
1	586 16 17-01	DECK SHELL ASSY		1
2	544 16 62-03	PLUG ASSY		1
3	506 57 01-07	SCREW EHHFM		3
4	506 91 62-03	NUT		3
5	586 22 55-01	REINFORCEMENT		2
6	586 22 54-01	WEAR PLATE		2
7	587 96 20-03	SCREW ITXCFSM		6
8	586 48 34-01	NUT CAP		6



Ref	Part No	Description	Remark	QTY	KIT
1	586 22 40-01	BEVEL GEAR		1	
2	585 87 73-01	SLEEVE		6	
3	504 02 13-02	SCREW		6	
4	585 14 51-02	PULLEY ASSY		1	
5	544 22 16-01	WASHER		3	
6	577 21 65-01	SCREW		1	
7	583 89 81-01	PULLEY ASSY		3	
8	506 53 35-01	PARALLEL KEY		4	
9	577 97 08-01	DUST COVER		3	
10	577 41 19-01	NUT FLANGE		3	
11	738 88 10-01	LUBRICATION NIPPLE		3	
12	589 56 42-01	BELT		1	
13	586 22 58-01	ARM		1	
14	738 22 03-19	BALL BEARING		2	
15	586 22 67-01	DISTANCE		1	
16	586 22 64-01	SHAFT		1	
17	525 46 56-01	SPACER		1	
18	725 24 69-51	SCREW EHHM		1	
19	506 91 62-03	NUT		1	
20	734 11 64-41	WASHER		1	
21	510 25 45-01	SHIELD		1	
22	586 22 61-01	SPRING		1	
23	585 12 81-01	BELT TENSIONER WHEEL ASSY		2	
24	587 48 83-01	DUST COVER		2	
25	506 57 01-06	SCREW EHHFM		2	
26	586 49 32-01	SHAFT ASSY		1	
27	588 22 62-01	BEARING HOUSING ASSY		3	
28	586 19 88-10	BLADE		3	
29	588 14 56-02	PLATE		3	
30	725 25 42-86	SCREW EHHM		3	
31	535 42 38-05	SCREW RSQM		12	
32	576 64 57-04	NUT FLANGE		12	
33	586 22 41-01	BRACKET		1	
34	506 67 54-01	SCREW EHHFM		2	
35	577 22 60-01	RADIAL SEAL		6	27
36	577 16 24-01	SPACER		3	27
37	580 39 80-01	BALL BEARING		6	27
38	578 01 61-01	BEARING HOUSING		3	27
39	577 20 78-01	SPACER		3	27
40	577 97 07-01	BLADE BRACKET		2	27
41	579 81 17-01	SPRING WASHER		3	
42	579 76 73-01	COVER ASSY		1	26

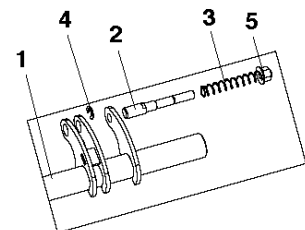
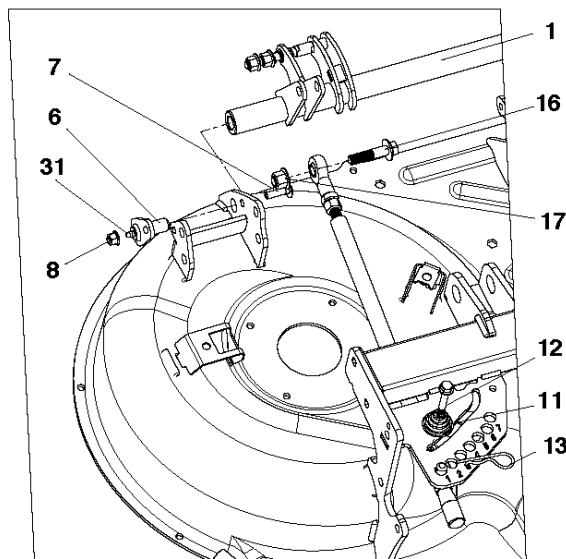
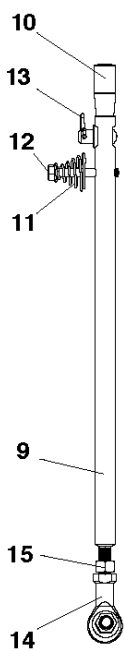
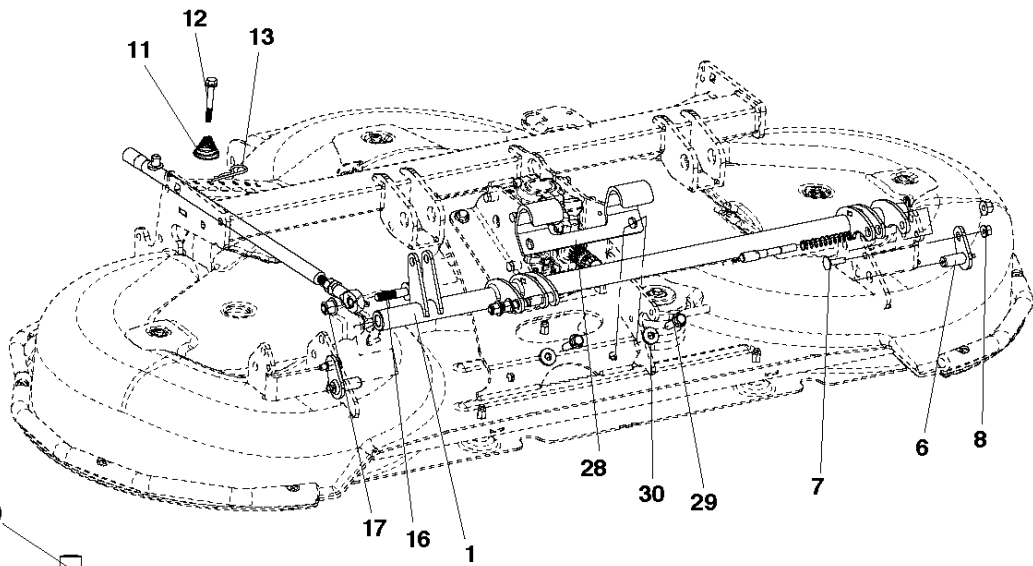
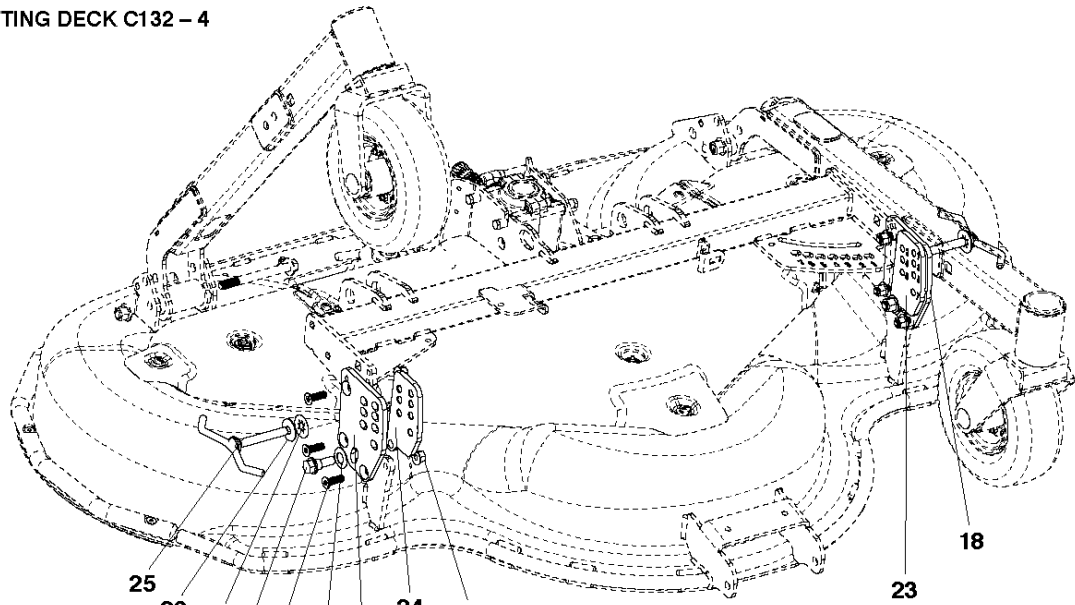


## 52"/132CM CUTTING DECK

CUTTING DECK C132, 967293801, 2015-01, 967978301, 2019-09

Ref	Part No	Description	Remark	QTY KIT
1	586 19 43-02	SUPPORTING ARM		1
2	586 22 24-01	FORK		1
3	585 06 62-01	PIVOT WHEEL ASSY		1
4	586 88 36-01	SCREW RSQM		1
5	576 64 57-06	NUT FLANGE		2
6	586 55 87-01	O-RING		1
7	586 55 86-01	ROLLER BEARING		2
8	586 22 20-01	DUST COVER		1
9	577 41 19-01	NUT FLANGE		1
10	738 88 10-01	LUBRICATION NIPPLE		2
11	586 23 67-01	DISTANCE		1
12	576 65 48-12	SCREW EHHFM		1

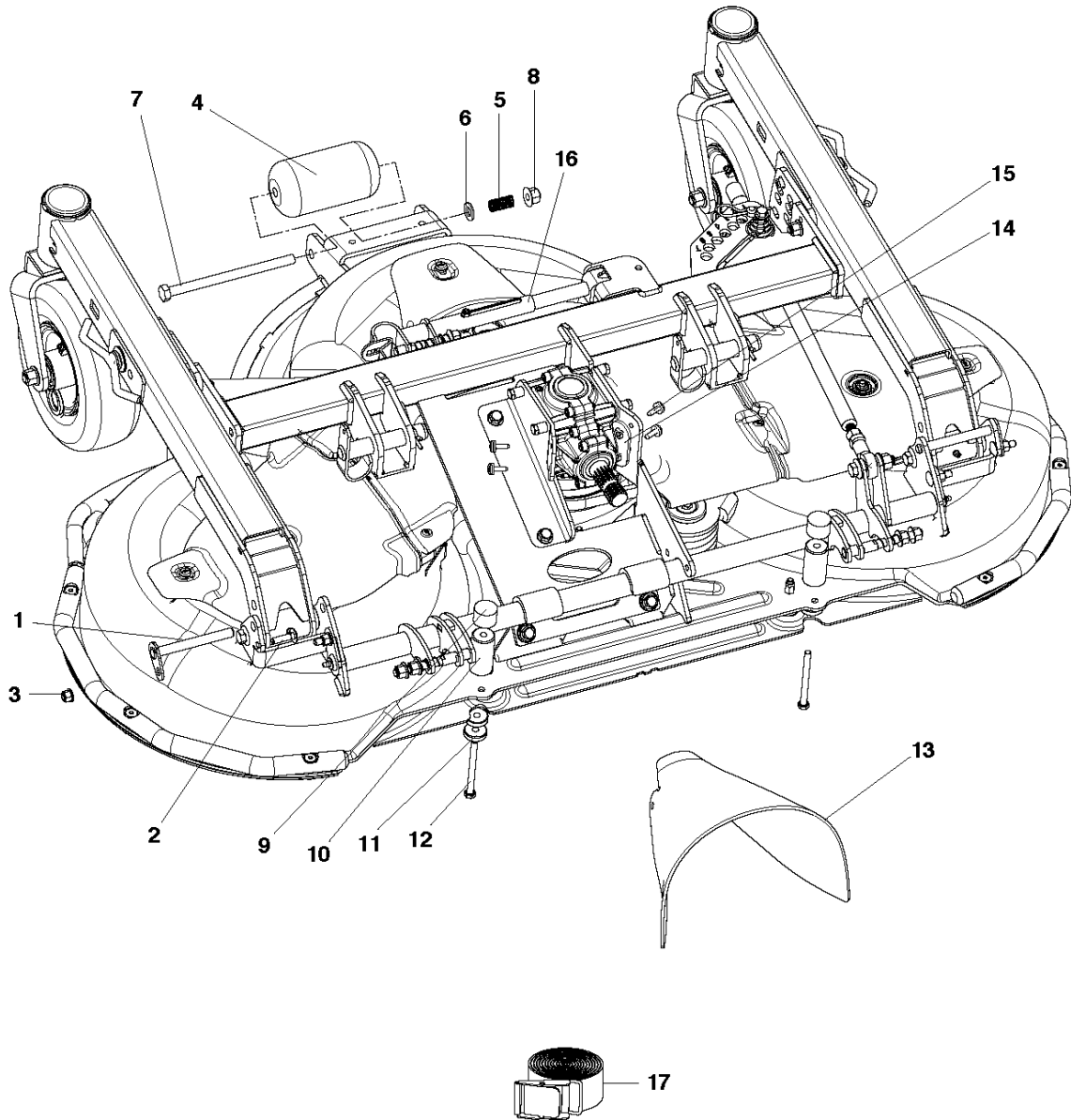
CUTTING DECK C132 - 4





Ref	Part No	Description	Remark	QTY KIT
1	586 23 86-01	CROSSBAR		1
2	579 59 59-01	COTTER		2
3	579 50 34-01	SPRING		2
4	735 31 13-20	E-CLIP		2
5	576 64 57-05	NUT FLANGE		8
6	586 36 70-01	COTTER		2
7	535 42 38-05	SCREW RSQM		2
8	576 64 57-04	NUT FLANGE		2
9	586 22 43-01	STAY		1
10	521 90 35-01	KNOB		1
11	586 22 51-01	SPRING		1
12	506 57 01-08	SCREW EHHFM		1
13	721 68 02-51	SPRING COTTER		1
14	506 95 17-04	ROD END		1
15	731 23 22-01	HEXAGON NUT		1
16	576 65 48-05	SCREW EHHFM		1
17	576 64 57-06	NUT FLANGE		3
18	586 22 53-01	GUIDE PLATE		1
19	586 22 53-02	GUIDE PLATE		1
20	587 96 19-02	SCREW ITXCSFM		6
21	506 89 58-01	COLLAR SCREW		2
22	587 63 94-01	SPRING WASHER		2
23	586 23 74-01	LOCKING PLATE		1
24	586 23 74-02	LOCKING PLATE		1
25	586 23 73-01	LOCKING BOLT		2
26	586 54 22-01	SPRING WASHER		2
27	586 54 29-01	FIXING WASHER		2
28	588 14 42-01	SUPPORT SHEET		1
29	576 82 31-01	WASHER		2
30	506 67 54-01	SCREW EHHFM		2
31	738 88 10-01	LUBRICATION NIPPLE		1

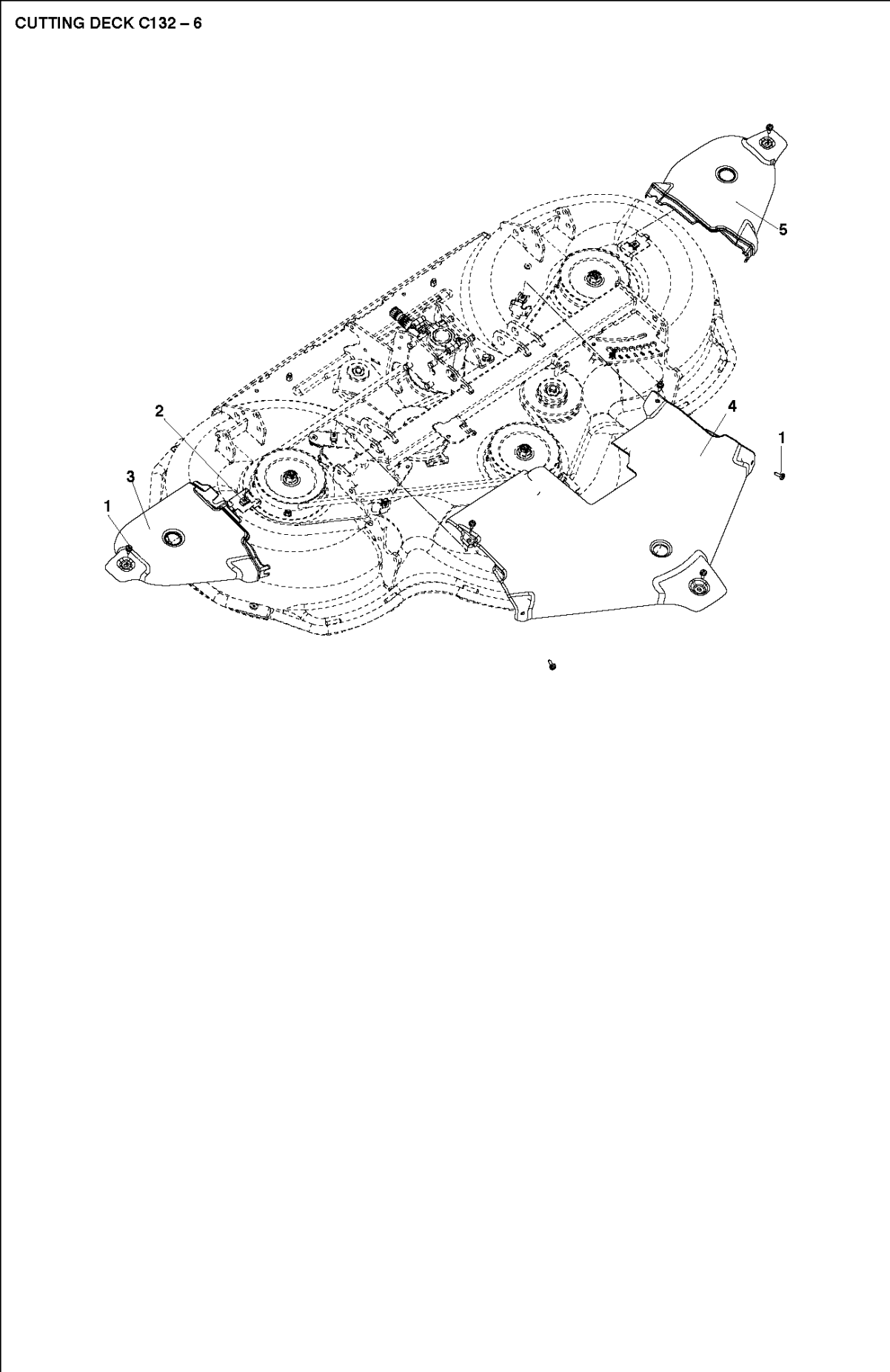
CUTTING DECK C132 - 5



## 52"/132CM CUTTING DECK

CUTTING DECK C132, 967293801, 2015-01, 967978301, 2019-09

Ref	Part No	Description	Remark	QTY KIT
1	587 70 35-01	COTTER		2
2	535 42 38-05	SCREW RSQM		2
3	576 64 57-04	NUT FLANGE		2
4	586 87 02-01	ROLLER		1
5	586 98 98-01	SPRING		1
6	734 11 78-01	WASHER		1
7	544 22 10-01	SCREW EHHM		1
8	576 64 57-06	NUT FLANGE		1
9	544 25 21-02	ANTIVIBRATION ELEMENT		2
10	586 31 61-01	SLEEVE		2
11	586 31 65-01	DISTANCE		4
12	725 24 69-51	SCREW EHHM		2
13	586 23 59-01	COVER		1
14	586 23 63-01	HOLDER ASSY		2
15	574 85 62-02	SCREW		4
16	586 55 52-01	STAY		1
17	580 42 86-01	STRAP		1

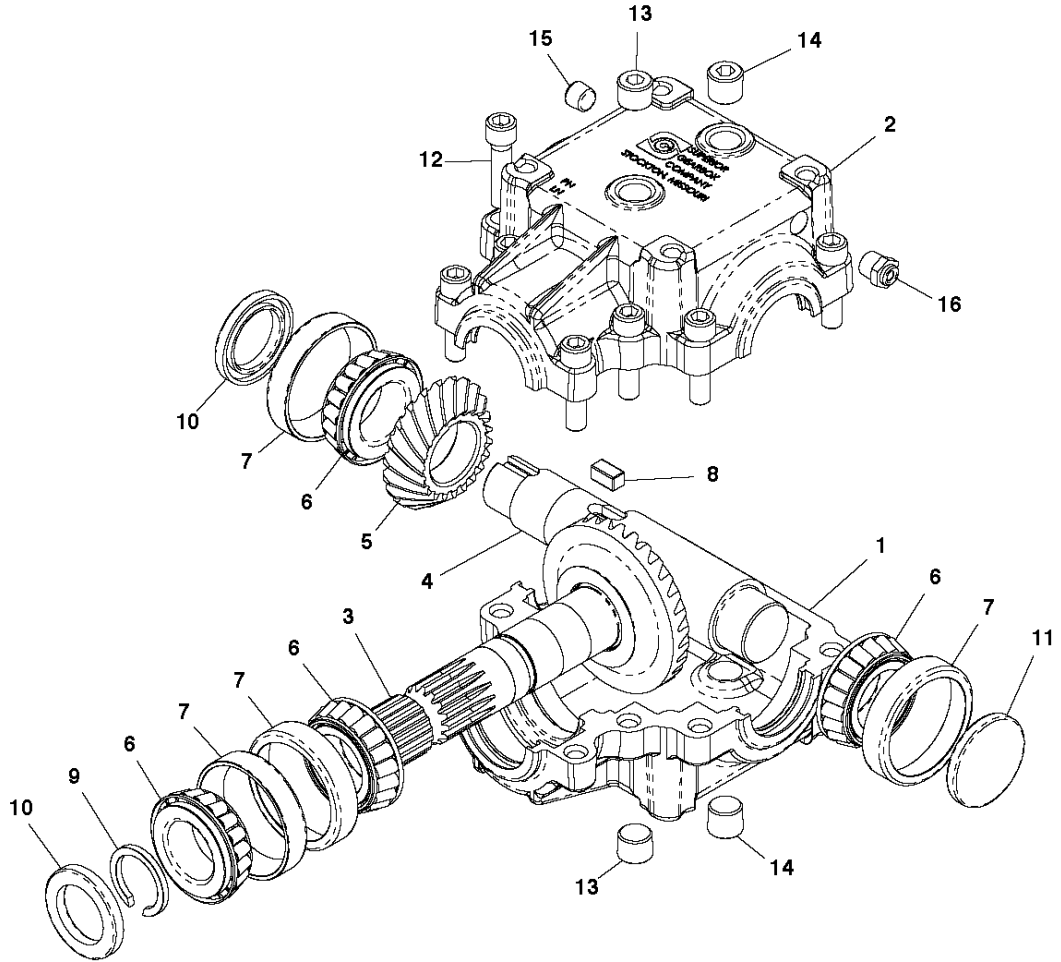


52"/132CM CUTTING DECK

CUTTING DECK C132, 967293801, 2015-01, 967978301, 2019-09

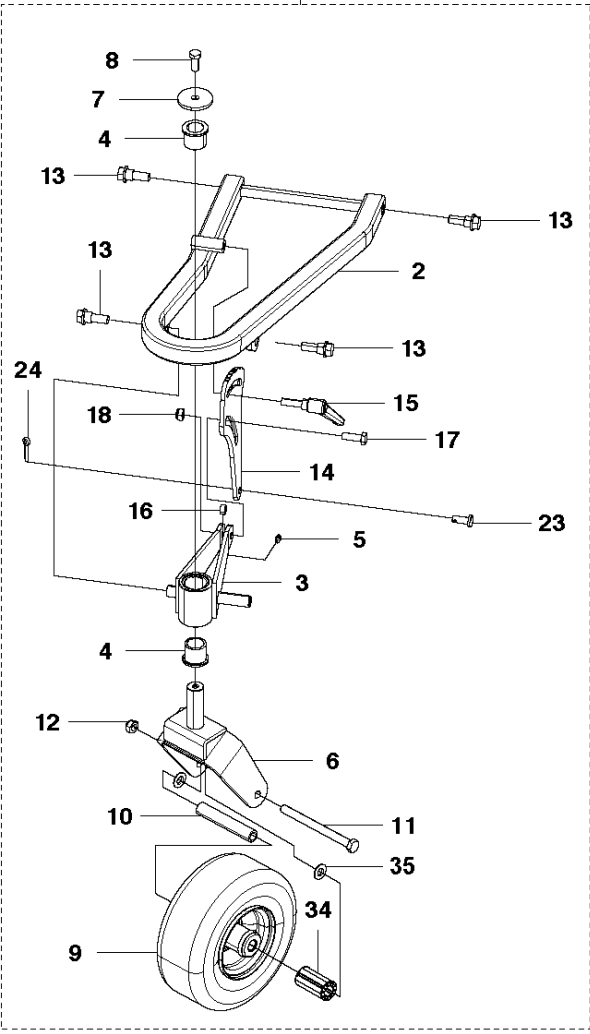
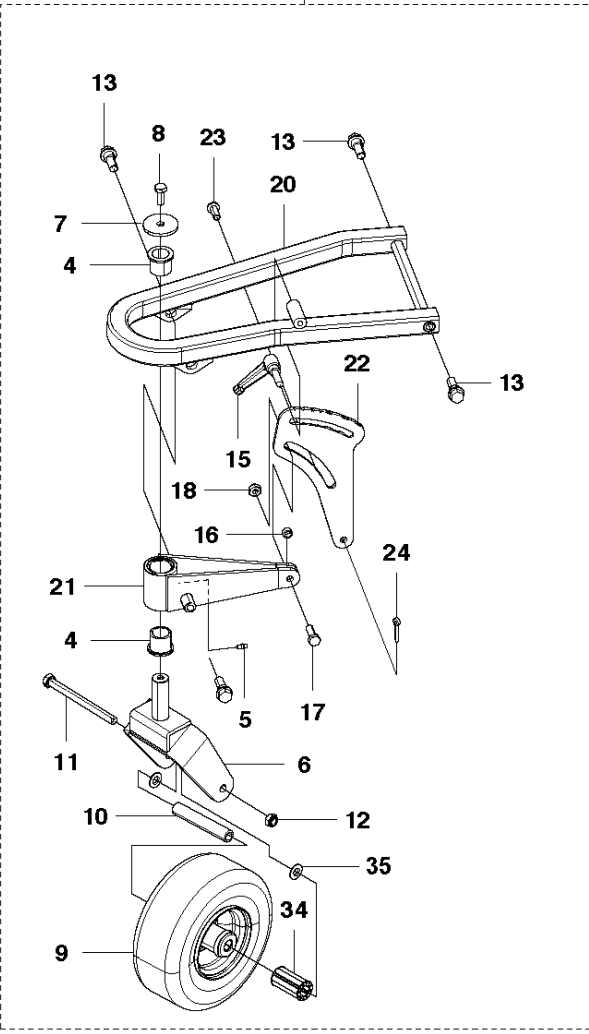
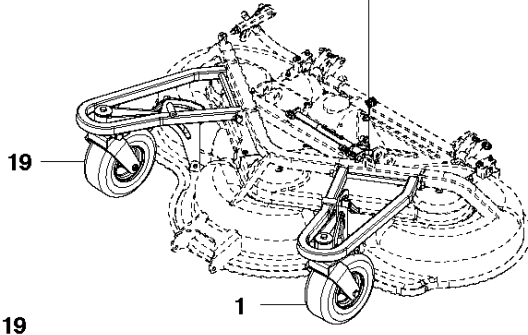
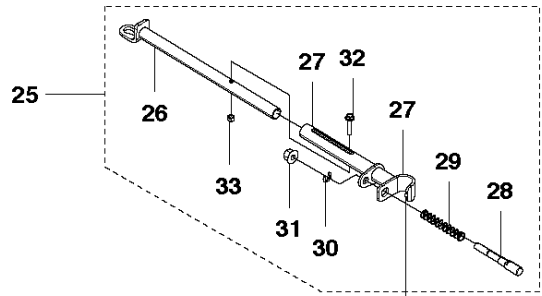
Ref	Part No	Description	Remark	QTY KIT
1	574 85 62-02	SCREW		7
2	535 42 91-01	SPRING NUT		7
3	586 41 18-01	BELT COVER		1
4	586 41 19-01	BELT COVER		1
5	586 41 17-01	BELT COVER		1

CUTTING DECK C132 - 7



Ref	Part No	Description	Remark	QTY KIT
1	588 42 19-01	HOUSING		1
2	588 42 20-01	HOUSING		1
3	588 42 21-01	SHAFT		1
4	588 42 22-01	SHAFT		1
5	588 42 23-01	GEAR		1
6	588 42 24-01	BEARING		4
7	588 42 25-01	BEARING RING		4
8	588 42 26-01	KEY		1
9	588 42 27-01	RETAINER RING		1
10	588 42 28-01	SEAL		2
11	588 42 29-01	CAP		1
12	588 42 30-01	BOLT		8
13	588 42 31-01	PLUG		2
14	588 42 32-01	PLUG		2
15	588 42 33-01	PLUG		1
16	588 42 35-01	PLUG		6

**B** COMBI 132





Ref	Part No	Description	Remark	QTY	KIT
1	544 17 32-01	WHEEL SUSPENSION		1	
2	544 17 35-01	SUPPORTING ARM		1	1
3	544 17 33-01	PIVOT WHEEL SUPPORT		1	1
4	544 17 41-01	BEARING BUSH		4	1, 19
5	738 88 10-01	LUBRICATION NIPPLE		2	1, 19
6	544 17 34-01	FORK		2	1, 19
7	506 98 25-01	WASHER		2	1, 19
8	506 67 54-01	SCREW EHHFM		2	1, 19
9	539 10 45-56	TIRE		2	1, 19
10	539 10 18-72	SPACER		2	1, 19
11	725 25 59-51	SCREW EHHM		2	1, 19
12	732 25 22-01	HEXAGON LOCKING NUT		2	1, 19
13	506 89 58-01	COLLAR SCREW		4	1, 19
14	544 17 50-01	SHEET		1	1
15	544 19 18-01	TURNING KNOB		2	1, 19
16	544 20 02-01	SLEEVE		2	1, 19
17	725 24 95-71	SCREW EHHM		2	1, 19
18	732 21 20-51	NUT		2	1, 19
19	544 17 32-02	WHEEL SUSPENSION		1	
20	544 17 35-02	SUPPORTING ARM		1	19
21	544 17 33-02	PIVOT WHEEL SUPPORT		1	19
22	544 17 50-02	SHEET		1	19
23	721 84 56-01	CLEVIS PIN		2	1, 19
24	721 61 83-01	SPLIT PIN		2	1, 19
25	579 74 47-01	STAY		1	
26	579 28 53-01	STAY		1	
27	579 28 54-01	STAY		1	25
28	579 59 59-01	COTTER		1	25
29	579 50 34-01	SPRING		1	25
30	735 31 13-20	E-CLIP		1	25
31	576 64 57-05	NUT FLANGE		1	25
32	535 47 52-30	SCREW EHHFM		1	25
33	732 21 16-01	LOCK NUT		1	25
34	539 97 73-53	ROLLER BEARING		2	1, 19
35	539 97 73-56	ENDCAP, NOTCHED		2	1, 19