

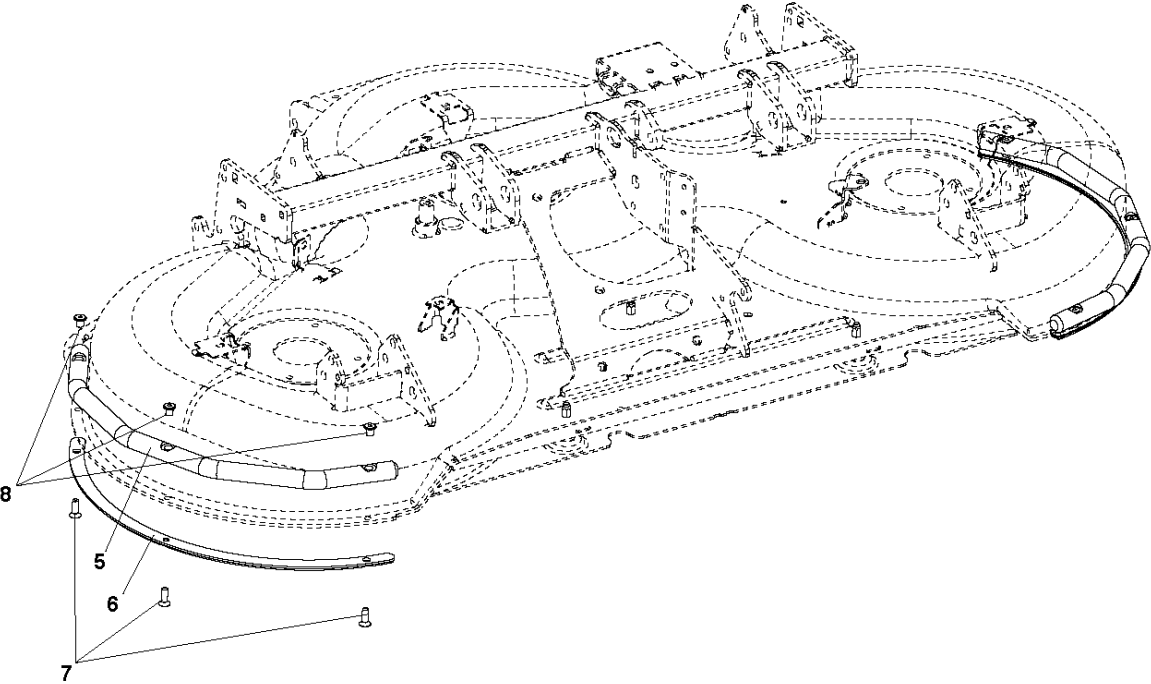
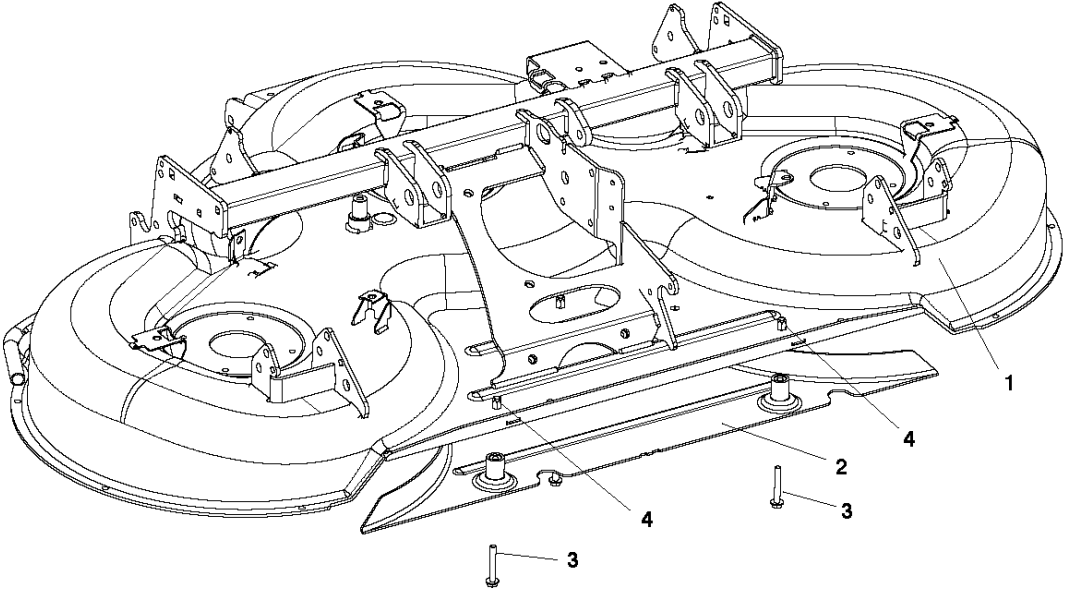


# SPARE PARTS LIST

## RIDERS

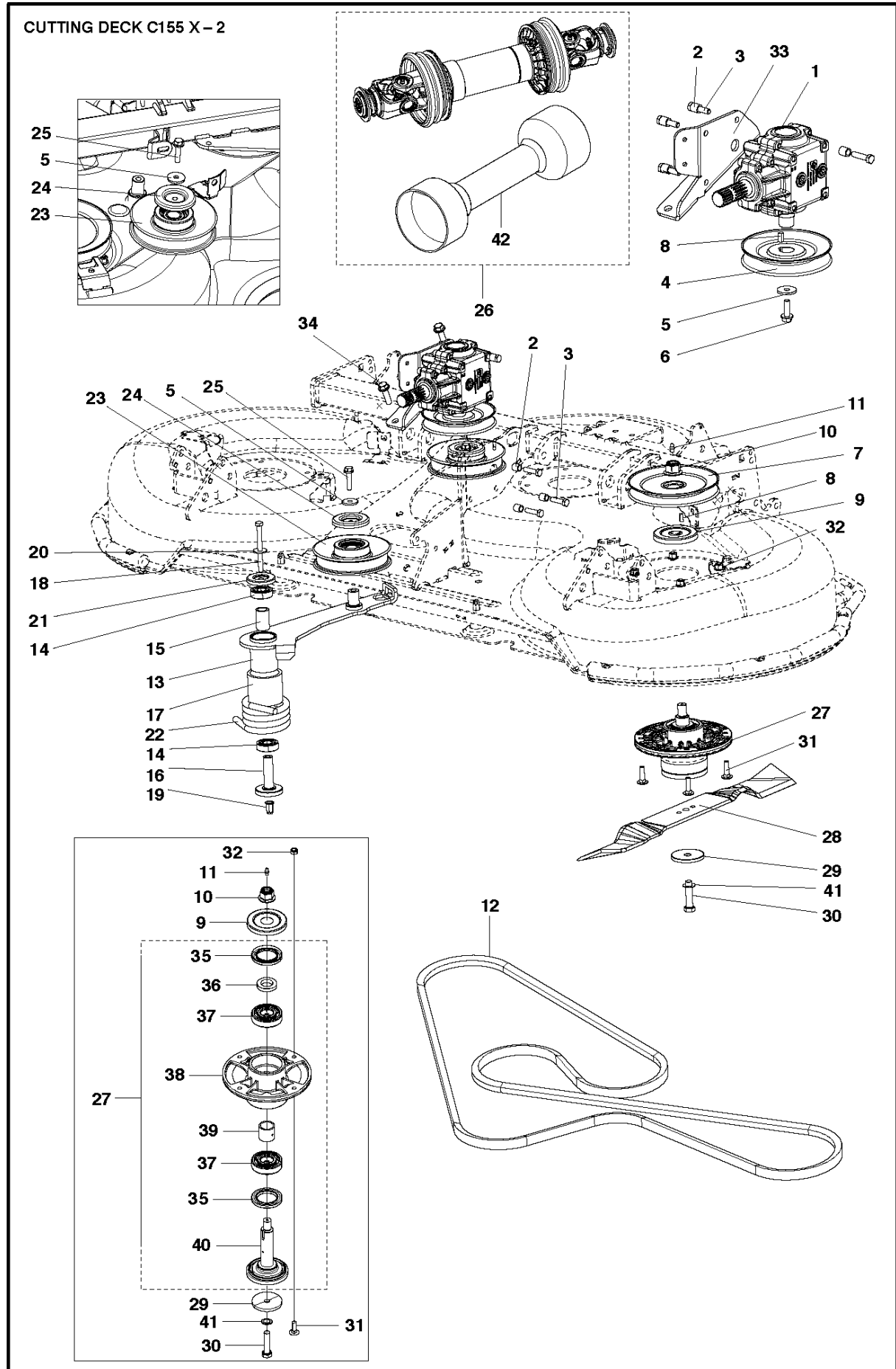
CUTTING DECK C155 X, 967294101,  
2015-04, 967978601, 2019-09

CUTTING DECK C155 X - 1



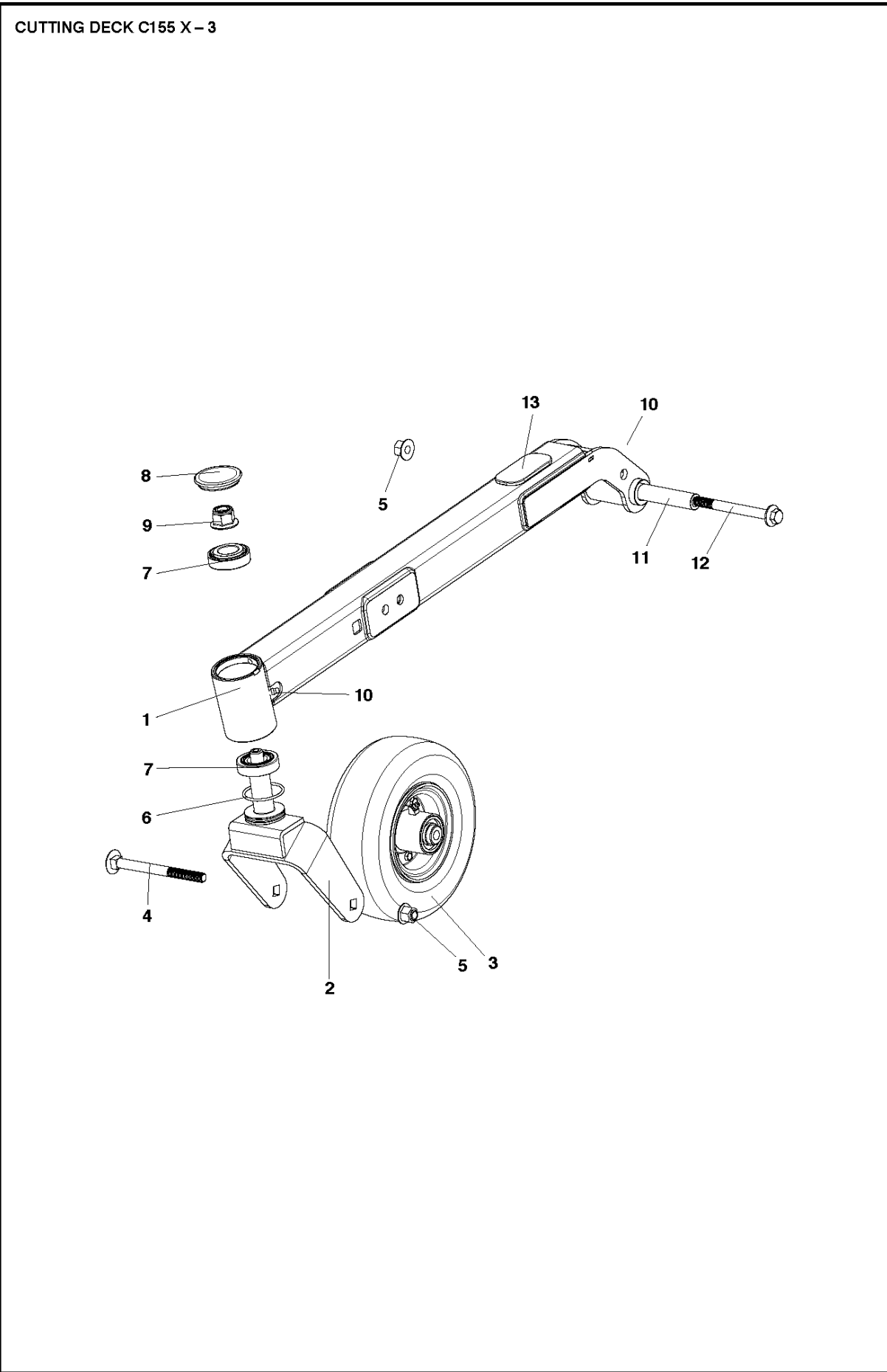
## 61"/155CM CUTTING DECK    CUTTING DECK C155 X, 967294101, 2015-04, 967978601, 2019-09

Ref	Part No	Description	Remark	QTY KIT
1	501 01 16-01	CUTTING DECK KIT		1
2	544 16 64-03	PLUG ASSY		1
3	506 57 01-07	SCREW EHHFM		3
4	506 91 62-03	NUT		3
5	586 23 88-01	REINFORCEMENT		2
6	586 23 91-01	WEAR PLATE		2
7	587 96 20-03	SCREW ITXCSFM		6
8	586 48 34-01	NUT CAP		6



## 61"/155CM CUTTING DECK CUTTING DECK C155 X, 967294101, 2015-04, 967978601, 2019-09

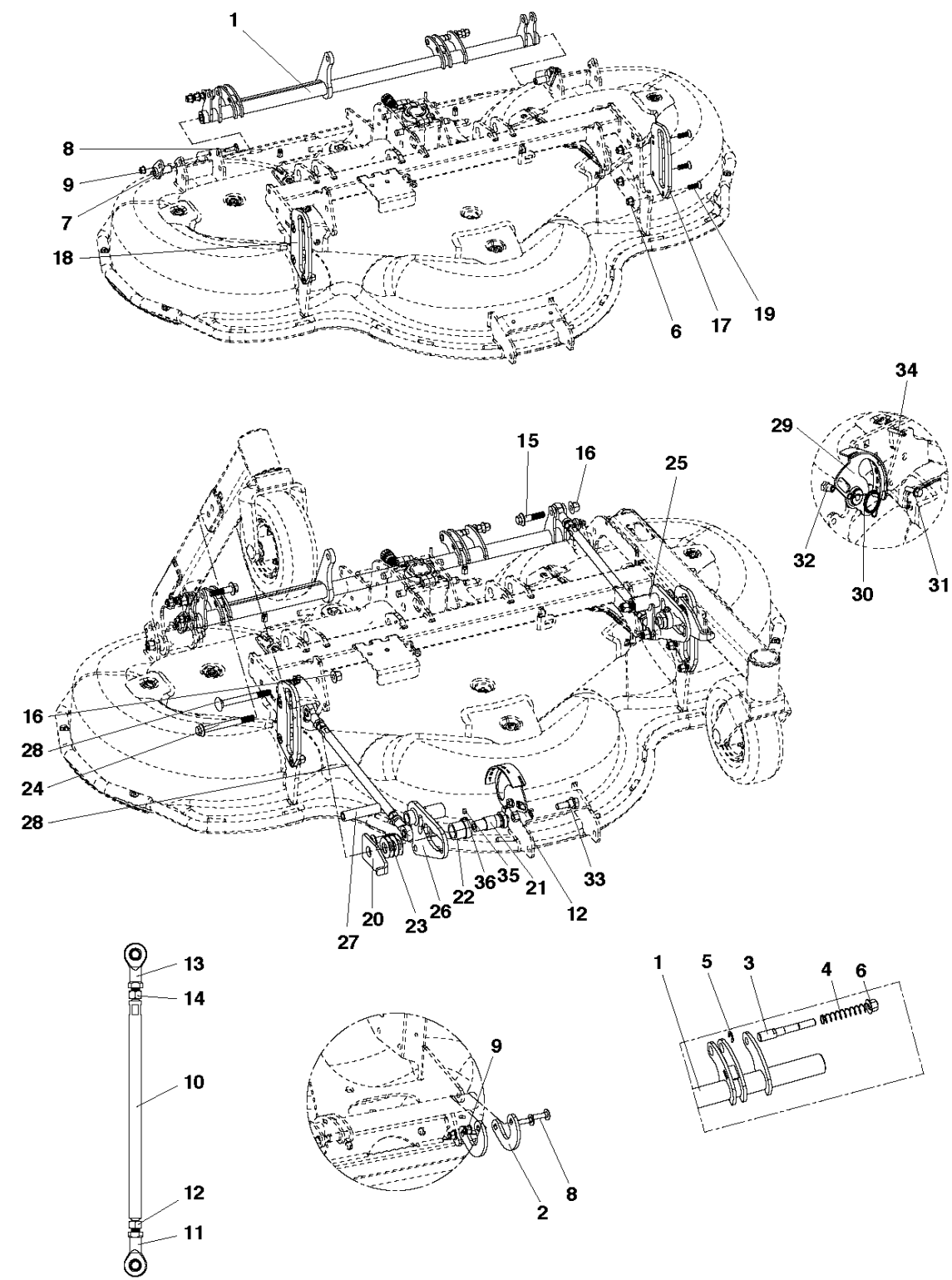
Ref	Part No	Description	Remark	QTY	KIT
1	586 22 40-01	BEVEL GEAR		1	
2	585 87 73-01	SLEEVE		6	
3	504 02 13-02	SCREW		6	
4	585 14 51-01	PULLEY ASSY		1	
5	544 22 16-01	WASHER		3	
6	577 21 65-01	SCREW		1	
7	583 89 81-01	PULLEY ASSY		3	
8	506 53 35-01	PARALLEL KEY		4	
9	577 97 08-01	DUST COVER		3	
10	577 41 19-01	NUT FLANGE		3	
11	738 88 10-01	LUBRICATION NIPPLE		3	
12	589 56 40-01	BELT		1	
13	586 22 58-01	ARM		1	
14	738 22 03-19	BALL BEARING		2	
15	586 22 67-01	DISTANCE		1	
16	586 22 64-01	SHAFT		1	
17	525 46 56-01	SPACER		1	
18	725 24 69-51	SCREW EHHM		1	
19	506 91 62-03	NUT		1	
20	734 11 64-41	WASHER		1	
21	510 25 45-01	SHIELD		1	
22	586 22 61-01	SPRING		1	
23	585 12 81-01	BELT TENSIONER WHEEL ASSY		2	
24	587 48 83-01	DUST COVER		2	
25	506 57 01-06	SCREW EHHFM		2	
26	586 49 32-01	SHAFT ASSY		1	
27	588 22 62-01	BEARING HOUSING ASSY		3	
28	544 17 58-10	BLADE		3	
29	588 14 56-02	PLATE		3	
30	725 25 42-86	SCREW EHHM		3	
31	535 42 38-05	SCREW RSQM		12	
32	576 64 57-04	NUT FLANGE		12	
33	586 23 85-01	BRACKET		1	
34	506 67 54-01	SCREW EHHFM		2	
35	577 22 60-01	RADIAL SEAL		6	27
36	577 16 24-01	SPACER		3	27
37	580 39 80-01	BALL BEARING		6	27
38	578 01 61-01	BEARING HOUSING		3	27
39	577 20 78-01	SPACER		3	27
40	577 97 07-01	BLADE BRACKET		2	27
41	506 83 94-01	SPRING WASHER		3	
42	579 76 73-01	COVER ASSY		1	26



## 61"/155CM CUTTING DECK    CUTTING DECK C155 X, 967294101, 2015-04, 967978601, 2019-09

Ref	Part No	Description	Remark	QTY KIT
1	586 19 43-01	SUPPORTING ARM		1
2	586 22 24-01	FORK		1
3	585 06 62-01	PIVOT WHEEL ASSY		1
4	586 88 36-01	SCREW RSQM		1
5	576 64 57-06	NUT FLANGE		1
6	586 55 87-01	O-RING		2
7	586 55 86-01	ROLLER BEARING		1
8	586 22 20-01	DUST COVER		2
9	577 41 19-01	NUT FLANGE		1
10	738 88 10-01	LUBRICATION NIPPLE		1
11	586 23 67-01	DISTANCE		2
12	576 65 48-12	SCREW EHHFM		1
13	587 84 27-01	PLUG		1

CUTTING DECK C155 X - 4

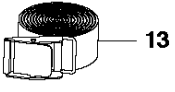
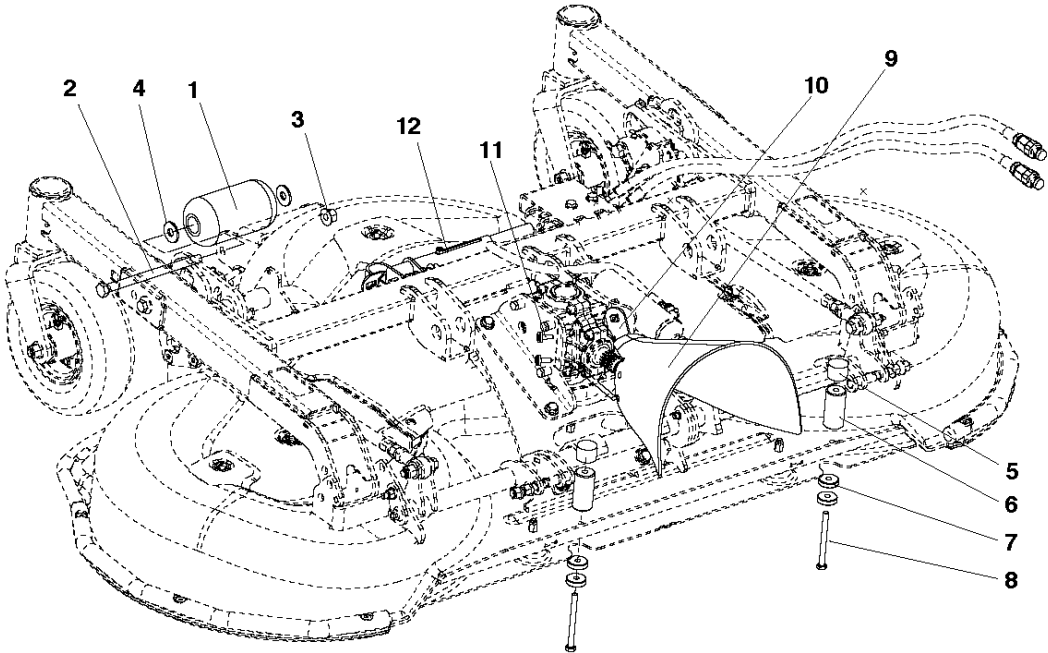




## 61"/155CM CUTTING DECK CUTTING DECK C155 X, 967294101, 2015-04, 967978601, 2019-09

Ref	Part No	Description	Remark	QTY KIT
1	586 25 18-01	CROSSBAR		1
2	586 24 98-01	SHEET		2
3	579 59 59-01	COTTER		2
4	579 50 34-01	SPRING		2
5	735 31 13-20	E-CLIP		2
6	576 64 57-05	NUT FLANGE		8
7	586 36 70-01	COTTER		2
8	535 42 38-05	SCREW RSQM		4
9	576 64 57-04	NUT FLANGE		4
10	586 24 94-01	ROD		2
11	506 95 17-04	ROD END		2
12	731 23 22-01	HEXAGON NUT		3
13	506 95 17-05	ROD END		2
14	504 81 26-01	NUT		2
15	576 65 48-05	SCREW EHHFM		4
16	576 64 57-06	NUT FLANGE		6
17	586 25 21-01	GUIDE PLATE		1
18	586 25 21-02	GUIDE PLATE		1
19	587 96 19-02	SCREW ITXCFSM		6
20	587 97 22-01	SHEET		2
21	587 63 09-01	SHAFT		2
22	587 63 08-01	BEARING SLEEVE		2
23	586 85 02-01	SPRING WASHER		8
24	576 65 48-12	SCREW EHHFM		2
25	586 25 23-01	LINK ARM ASSY		1
26	586 25 23-02	LINK ARM ASSY		1
27	586 23 67-03	SPACER		2
28	727 65 56-51	SCREW		2
29	586 36 26-01	INDEX PLATE ASSY		1
30	587 92 22-01	SPRING		1
31	506 57 01-05	SCREW EHHFM		1
32	503 28 48-01	SHOULDER NUT		1
33	506 89 58-01	COLLAR SCREW		1
34	721 43 47-01	SPRING PIN		1
35	738 88 10-01	LUBRICATION NIPPLE		4
36	734 11 52-01	WASHER		2

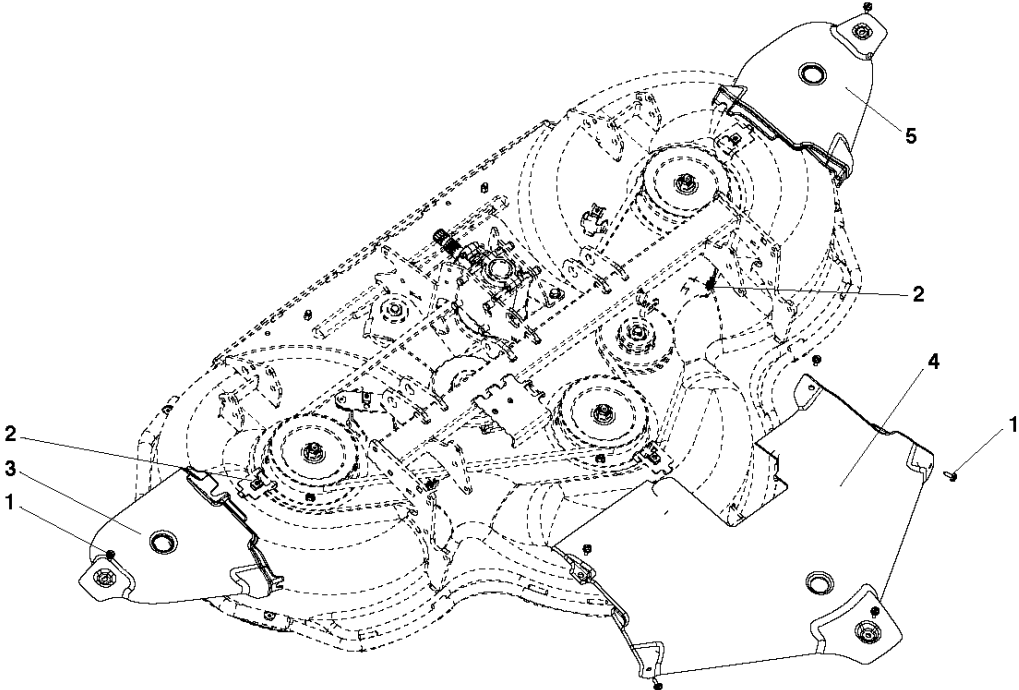
CUTTING DECK C155 X - 5



## 61"/155CM CUTTING DECK    CUTTING DECK C155 X, 967294101, 2015-04, 967978601, 2019-09

Ref	Part No	Description	Remark	QTY KIT
1	586 87 02-01	ROLLER		1
2	544 22 10-01	SCREW EHHM		1
3	576 64 57-06	NUT FLANGE		1
4	577 61 45-01	WASHER		2
5	544 25 21-02	ANTIVIBRATION ELEMENT		2
6	586 31 61-01	SLEEVE		2
7	586 31 65-01	DISTANCE		4
8	725 24 69-51	SCREW EHHM		2
9	586 23 59-01	COVER		1
10	586 23 63-01	HOLDER ASSY		2
11	574 85 62-02	SCREW		4
12	586 55 52-01	STAY		1
13	580 42 86-01	STRAP		1

CUTTING DECK C155 X - 6



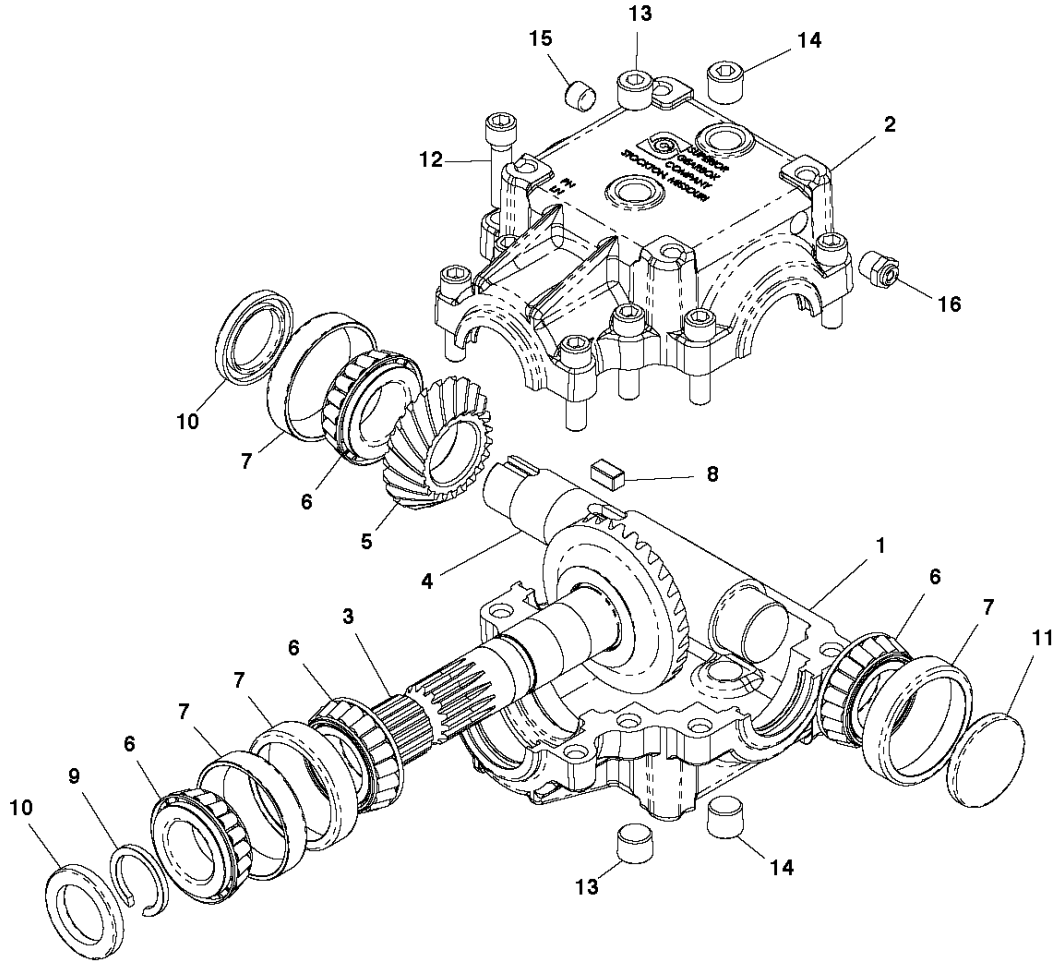
6

**Combi 155X**

61"/155CM CUTTING DECK    CUTTING DECK C155 X, 967294101, 2015-04, 967978601, 2019-09

Ref	Part No	Description	Remark	QTY KIT
1	574 85 62-02	SCREW		7
2	535 42 91-01	SPRING NUT		7
3	586 41 18-01	BELT COVER		1
4	586 41 19-01	BELT COVER		1
5	586 41 17-01	BELT COVER		1
6	587 96 78-02	LABEL		1

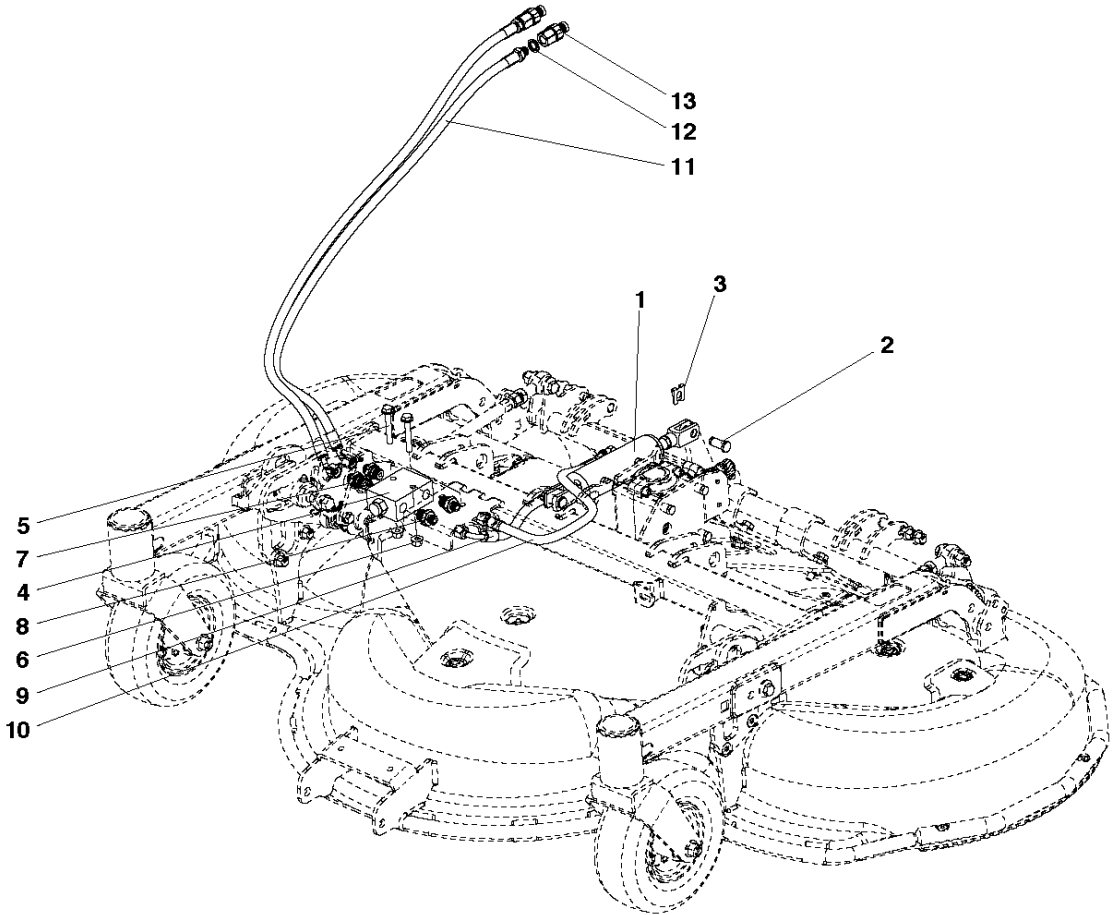
CUTTING DECK C155 X - 7



## 61"/155CM CUTTING DECK    CUTTING DECK C155 X, 967294101, 2015-04, 967978601, 2019-09

Ref	Part No	Description	Remark	QTY KIT
1	588 42 19-01	HOUSING		1
2	588 42 20-01	HOUSING		1
3	588 42 21-01	SHAFT		1
4	588 42 22-01	SHAFT		1
5	588 42 23-01	GEAR		1
6	588 42 24-01	BEARING		4
7	588 42 25-01	BEARING RING		4
8	588 42 26-01	KEY		1
9	588 42 27-01	RETAINER RING		1
10	588 42 28-01	SEAL		2
11	588 42 29-01	CAP		1
12	588 42 30-01	BOLT		8
13	588 42 31-01	PLUG		2
14	588 42 32-01	PLUG		2
15	588 42 33-01	PLUG		1
16	588 42 35-01	PLUG		6

CUTTING DECK C155 X - 8





## 61"/155CM CUTTING DECK    CUTTING DECK C155 X, 967294101, 2015-04, 967978601, 2019-09

Ref	Part No	Description	Remark	QTY KIT
1	586 25 00-01	HYDRAULIC CYLINDER		1
2	586 89 67-01	LOCKING BOLT		2
3	586 89 68-01	CIRCLIP		2
4	586 84 85-01	CHECK VALVE		1
5	506 57 01-07	SCREW EHHFM		2
6	576 64 57-04	NUT FLANGE		2
7	575 88 13-02	CONNECTOR		2
8	576 44 40-02	PIPE FITTING		2
9	587 96 44-01	HYDRAULIC HOSE		1
10	586 83 53-01	HYDRAULIC HOSE		1
11	586 85 99-02	HYDRAULIC HOSE		2
12	535 43 72-01	WASHER		2
13	586 86 08-01	QUICK COUPLING		2