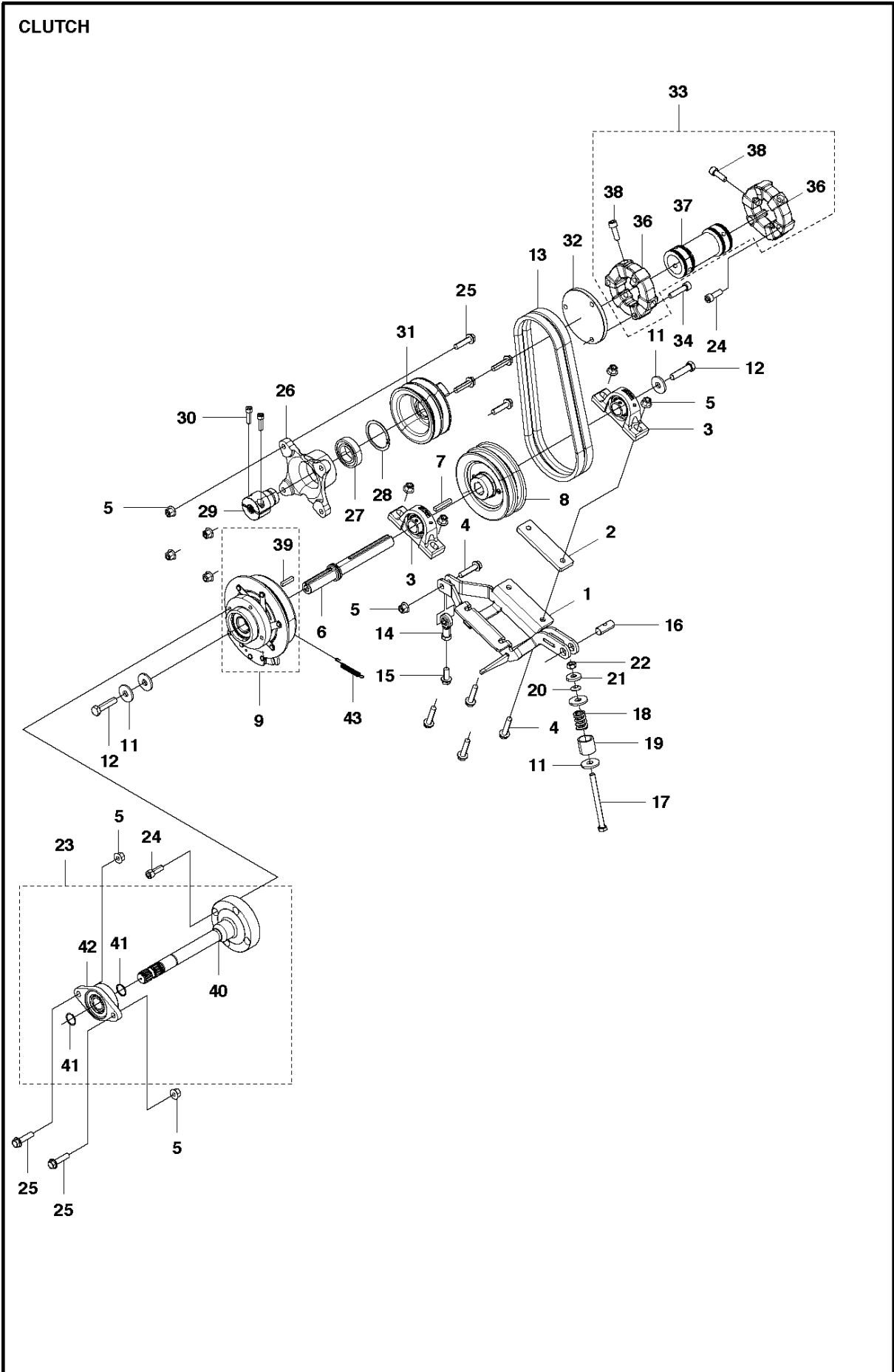




# SPARE PARTS LIST

RIDERS

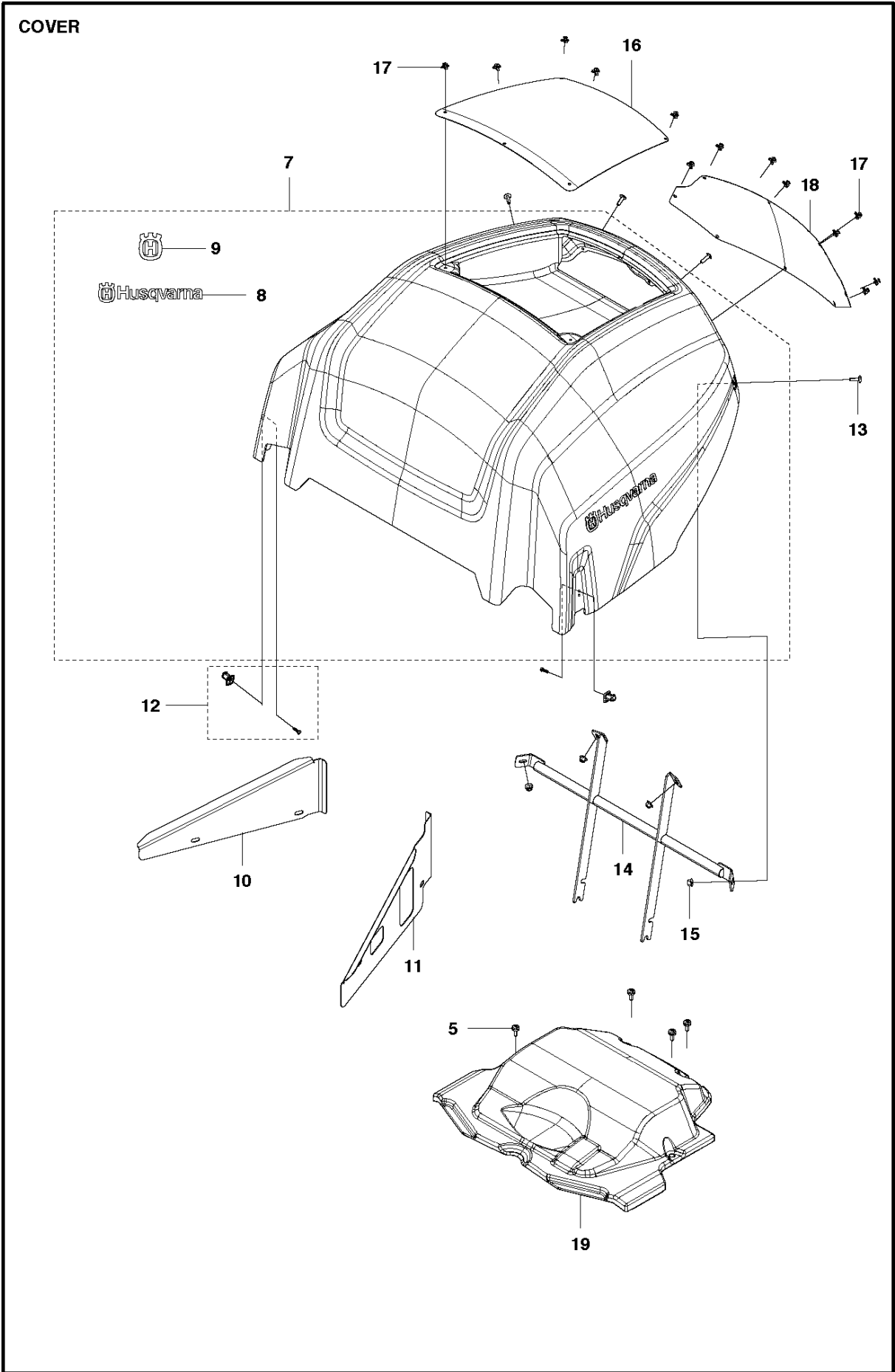
P520 D with cabin



## CLUTCH

P520 D with cabin

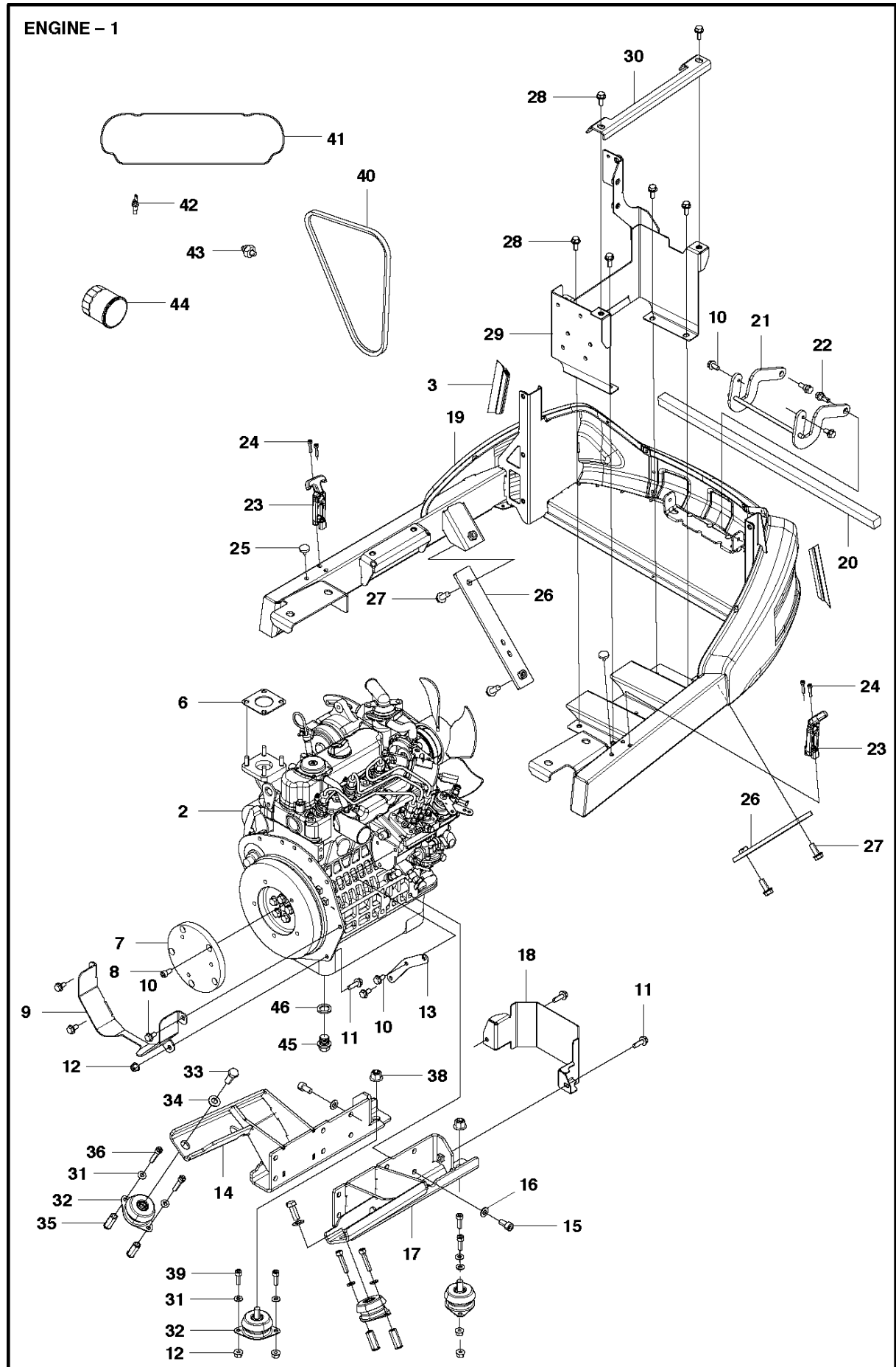
Ref	Part No	Description	Remark	QTY KIT
1	576 18 60-01	BEARING CAGE		1
2	510 14 60-01	DISTANCE		1
3	506 04 36-01	BEARING UNIT		2
4	506 67 54-03	SCREW EHHFM		5
5	576 64 57-05	NUT FLANGE		11
6	579 29 62-01	SHAFT		1
7	504 81 35-01	WEDGE		1
8	585 99 93-01	PULLEY ASSY		1
9	586 94 37-01	CLUTCH		1
11	535 42 92-01	WASHER		5
12	725 25 42-85	SCREW		2
13	589 53 95-01	BELT		1
14	506 95 17-01	ROD END		1
15	506 67 54-01	SCREW EHHFM		1
16	510 16 76-01	PEN		1
17	725 25 15-71	SCREW EHHM		1
18	510 17 07-01	SPRING		1
19	522 94 69-01	SLEEVE		1
20	576 47 35-02	WASHER		1
21	576 47 35-03	WASHER		1
22	731 23 20-01	HEXAGON NUT		1
23	576 99 38-01	SHAFT ASSY		1
24	502 23 36-01	SCREW IHSCM		7
25	506 67 54-02	SCREW EHHFM		6
26	506 04 32-01	BEARING CAGE		1
27	522 66 44-01	BALL BEARING		1
28	522 66 43-01	CIRCLIP		1
29	506 04 34-01	SHAFT		1
30	725 54 55-01	SCREW IHSCM		2
31	505 02 04-01	PULLEY		1
32	515 98 35-01	SPACER		1
33	515 98 32-02	CLUTCH ASSY		1
34	502 23 36-02	SCREW IHSCM		3
36	515 98 34-01	RUBBER RING		2
37	515 98 33-02	SHAFT		1
38	725 54 95-01	SCREW IHSCM		6
39	580 28 45-01	PARALLEL KEY		1
40	576 18 87-01	SHAFT ASSY		1
41	576 47 36-01	CLIP		2
42	544 19 10-01	BEARING UNIT		1
43	506 83 43-01	SPRING		1



## COVER

P520 D with cabin

Ref	Part No	Description	Remark	QTY	KIT
5	574 85 62-02	SCREW		8	
7	576 23 68-01	ENGINE HOOD		1	
8	577 46 90-01	DECAL		2	7
9	574 38 21-01	DECAL		2	7
10	586 33 20-01	COVER PLATE		1	
11	586 33 19-01	COVER PLATE		1	
12	577 22 97-01	KEEPER		2	
13	535 42 58-02	SCREW IHANM		4	
14	576 23 75-01	HINGE		1	
15	576 64 57-03	NUT FLANGE		4	
16	581 74 71-01	NET		1	
17	577 01 39-01	RIVET		13	
18	581 74 74-01	NET		1	
19	585 06 77-01	COVER		1	



## ENGINE

P520 D with cabin

Ref	Part No	Description	Remark	QTY KIT
2	576 95 24-01	ENGINE		1
3	576 64 05-01	SEALING STRIP		2
6	576 97 25-01	GASKET		1
7	575 97 09-01	PLATE		1
8	725 54 49-01	SCREW IHSCM		5
9	579 58 23-01	PROTECTIVE PLATE		1
10	506 57 01-03	SCREW EHHFM		7
11	506 57 01-05	SCREW EHHFM		3
12	576 64 57-04	NUT FLANGE		5
13	576 65 94-01	BRACKET		1
14	501 72 00-01	BRACKET		1
15	576 42 67-01	SCREW IHSCM		12
16	734 11 72-01	WASHER		12
17	501 72 00-02	BRACKET		1
18	579 75 24-01	COVER		1
19	575 74 99-01	ENGINE FRAME		1
20	576 99 04-04	GASKET		1
21	576 46 45-01	HINGE		1
22	506 59 74-01	SCREW EHHFM		2
23	576 43 33-01	LATCH		2
24	725 53 33-65	SCREW IHSCM		4
25	579 48 85-01	ANTIVIBRATION ELEMENT		2
26	579 16 13-01	STAY		2
27	506 67 54-01	SCREW EHHFM		4
28	506 57 01-04	SCREW EHHFM		6
29	576 67 76-01	BRACKET		1
30	576 68 38-01	BRACKET		1
31	734 11 64-01	WASHER		8
32	587 44 83-01	ANTIVIBRATION ELEMENT		4
33	725 25 36-71	SCREW EHHM		2
34	734 11 78-01	WASHER		2
35	576 43 42-01	HEXAGON NUT		4
36	725 54 59-01	SCREW IHSCM		4
38	576 64 57-06	NUT FLANGE		2
39	725 54 53-01	SCREW IHSCM		4
40	578 00 99-01	BELT		1
41	578 00 97-01	GASKET		1
42	578 01 02-01	SENSOR		1
43	578 01 03-01	SWITCH		1
44	578 00 98-01	OIL FILTER		1
45	578 00 95-01	PLUG		1
46	578 00 96-01	GASKET		1

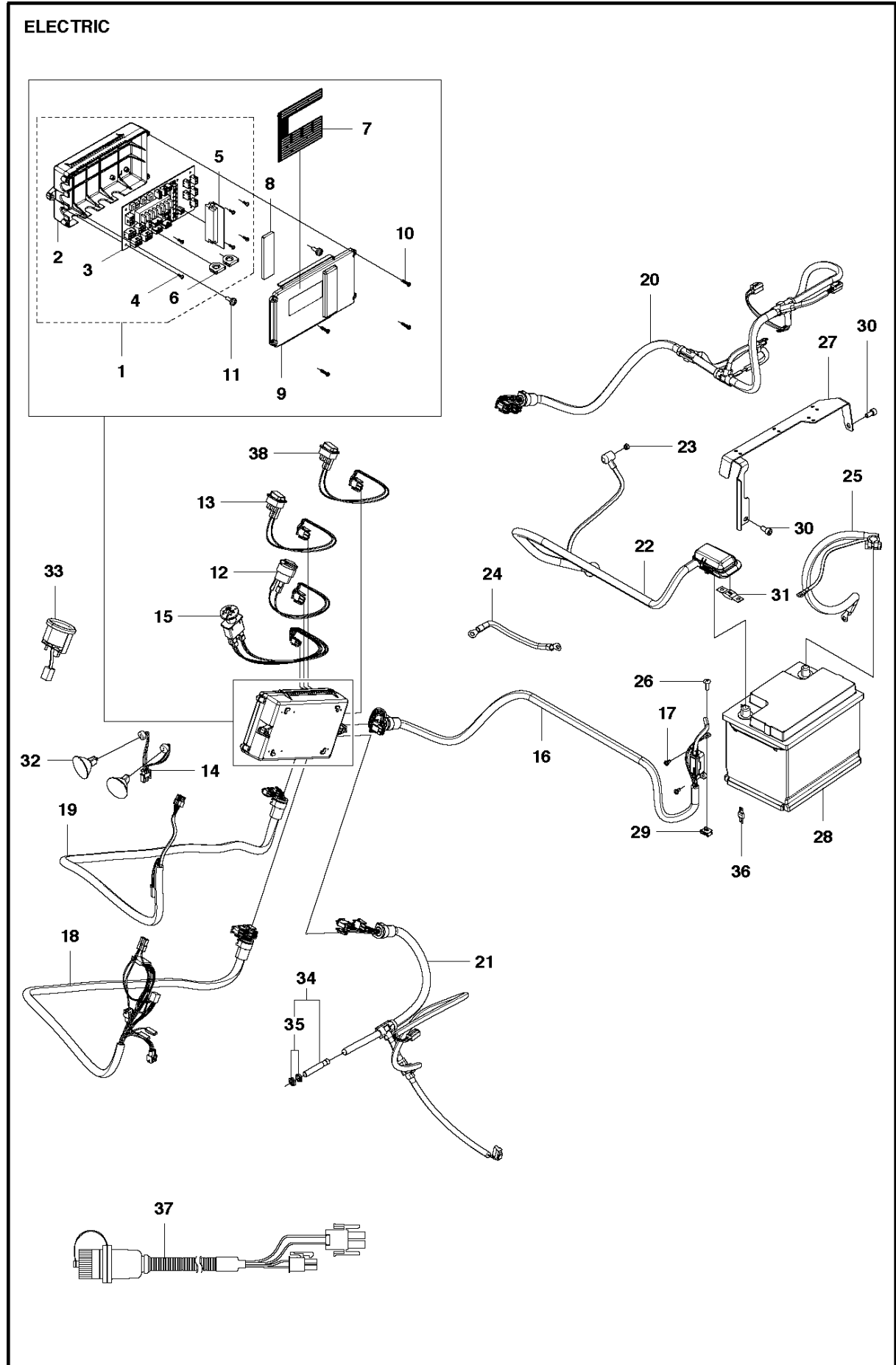




## FUEL SYSTEM

P520 D with cabin

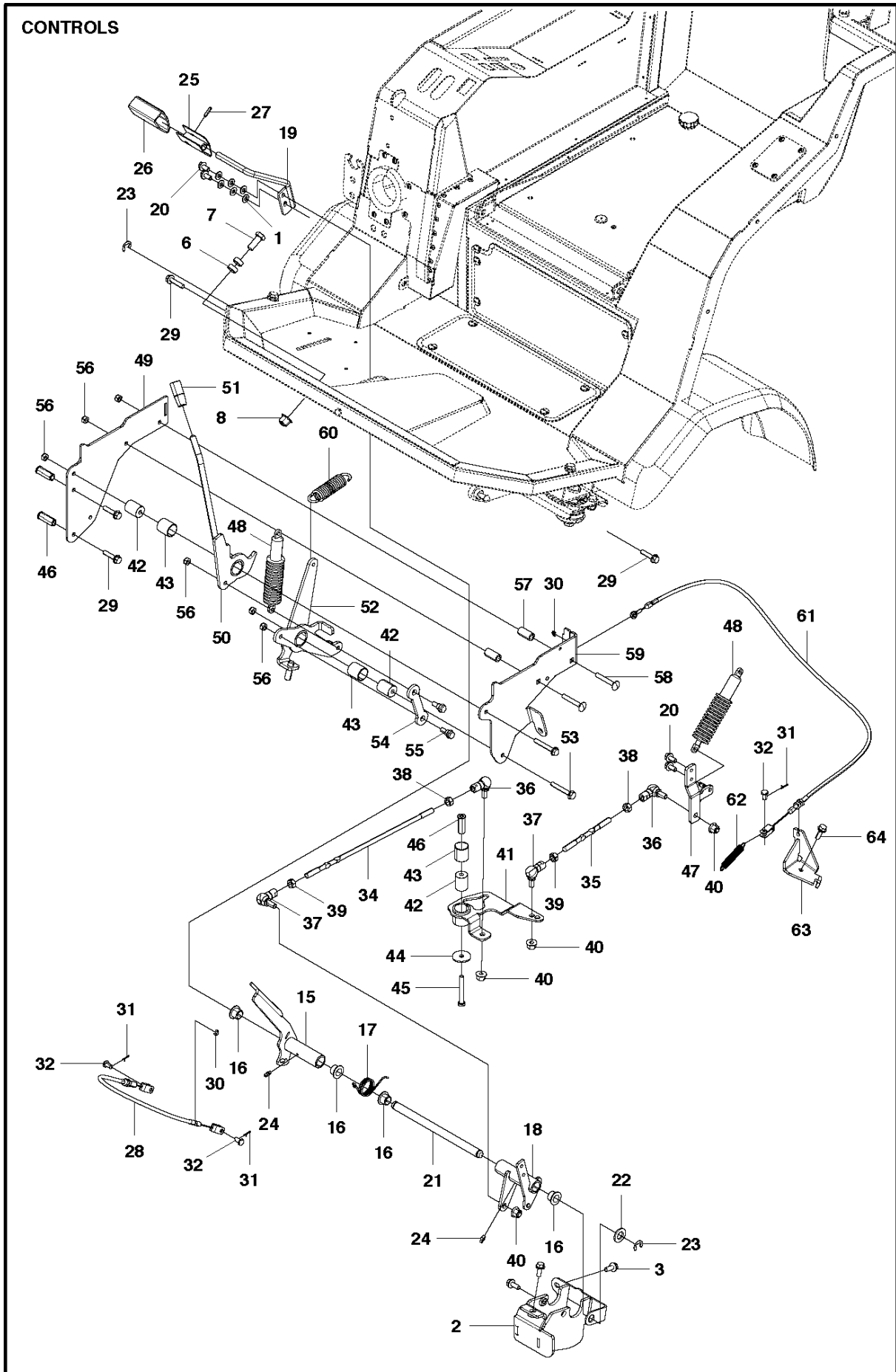
Ref	Part No	Description	Remark	QTY KIT
1	575 71 87-01	FUEL TANK		1
2	576 14 28-01	COVER		1
3	535 42 58-01	SCREW IHPANM		2
4	579 57 01-01	TUBE		1
5	535 42 38-01	SCREW RSQM		1
6	535 42 38-02	SCREW RSQM		2
7	576 64 57-04	NUT FLANGE		3
8	576 05 59-01	BRACKET		1
9	503 23 04-03	WASHER		2
10	506 57 01-03	SCREW EHHFM		2
11	576 12 02-01	BRACKET		1
12	576 48 12-01	CONNECTOR		1
13	535 41 56-19	SCREW		2
14	740 48 12-02	O-RING		1
15	575 96 14-01	GAUGE		1
16	576 48 36-01	GROMMET		1
17	539 10 63-30	TANK CAP		1
18	539 10 52-44	JOINT		1
19	539 10 52-45	GROMMET		1
20	574 53 12-02	HOSE CLAMP		1
21	725 23 68-61	SCREW EHHFT		1
22	576 64 57-03	NUT FLANGE		1
23	544 28 25-10	FUEL HOSE		1
24	544 28 26-03	HOSE CLAMP		1
25	585 51 05-01	FUEL HOSE		1
26	544 28 26-01	HOSE CLAMP		3
27	544 36 92-01	CONNECTION		1
28	544 28 25-05	FUEL HOSE		1
29	544 28 26-02	HOSE CLAMP		2
30	585 51 05-03	FUEL HOSE		1
31	544 28 25-13	FUEL HOSE		2
32	574 53 12-01	HOSE CLAMP		1
33	725 23 64-61	SCREW EHHFT		1
34	506 57 01-08	SCREW EHHFM		1
36	576 95 57-01	FUEL FILTER		1
37	576 95 55-01	PREFILTER		1
38	578 01 01-01	FILTER		1
39	544 28 26-05	HOSE CLAMP		6
40	585 51 05-04	FUEL HOSE		1



## ELECTRICAL

P520 D with cabin

Ref	Part No	Description	Remark	QTY	KIT
1	579 54 65-01	ELECTRONIC BOX		1	
2	576 28 57-01	ELECTRIC BOX		1	1
3	579 29 38-01	CONTROL BOARD		1	1
4	535 13 03-10	SCREW ITPANT		6	1
5	579 29 39-01	CONTROL UNIT		1	1
6	544 38 15-01	BUSHING		2	1
7	576 97 64-01	DECAL		1	
8	577 57 42-01	RUBBER		1	
9	576 28 58-01	LID		1	
10	577 90 34-01	SCREW CRPANT		4	
11	574 85 62-02	SCREW		2	
12	576 46 83-01	WIRING	12v Socket	1	
13	576 46 84-01	SWITCH		1	
14	576 46 85-01	WIRING		1	
15	576 46 86-01	SWITCH	PTO switch	1	
16	576 46 87-01	WIRING		1	
17	544 29 13-02	SCREW ITPANM		2	
18	576 46 88-01	WIRING		1	
19	576 46 89-01	WIRING		1	
20	576 46 90-01	WIRING		1	
21	576 46 91-01	WIRING		1	
22	576 47 20-01	WIRING		1	
23	732 21 16-01	LOCK NUT		1	
24	544 32 37-01	GROUND CABLE		1	
25	577 43 20-01	WIRING		1	
26	535 42 58-02	SCREW IHANM		1	
27	576 57 32-01	WIRE HOLDER		1	
28	576 95 82-01	BATTERY		1	
29	535 42 91-01	SPRING NUT		1	
30	725 54 49-01	SCREW IHSCM		2	
31	544 36 96-01	FUSE	125A	1	
32	535 44 68-01	LAMP		2	
33	576 95 53-01	GAUGE		1	
34	522 61 25-01	SENSOR		1	
35	522 61 76-01	NUT		1	34
36	501 96 55-01	FUSE	50A	1	
37	579 01 41-01	WIRING		1	
38	579 01 42-01	WIRING		1	

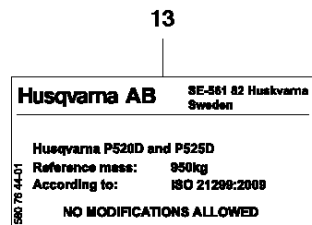
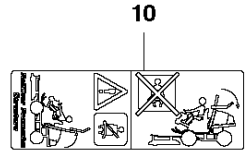
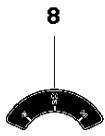
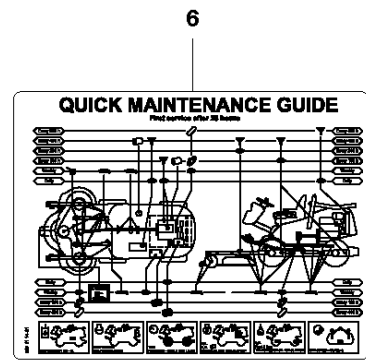
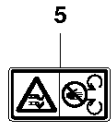
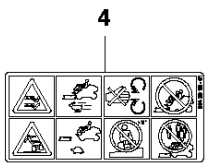
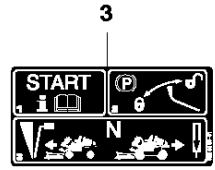
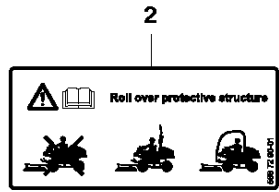


## CONTROLS

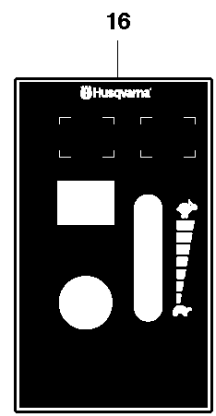
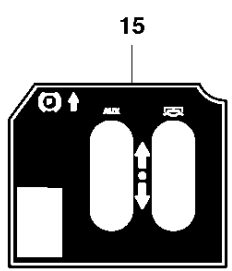
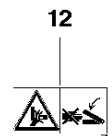
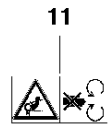
P520 D with cabin

Ref	Part No	Description	Remark	QTY KIT
1	734 11 64-01	WASHER		6
2	582 08 45-01	COVER ASSY		1
3	506 57 01-04	SCREW EHHFM		3
6	576 99 87-01	SLEEVE		2
7	725 25 40-71	SCREW EHHM		1
8	576 64 57-06	NUT FLANGE		1
15	588 69 20-01	PEDAL		1
16	506 55 43-01	BEARING		4
17	576 47 51-01	SPRING		1
18	576 34 82-01	PEDAL		1
19	576 29 15-01	PEDAL ARM		1
20	506 57 01-03	SCREW EHHFM		4
21	576 34 89-01	SHAFT		1
22	734 11 86-01	WASHER		1
23	735 31 18-20	E-CLIP		2
24	738 88 10-01	LUBRICATION NIPPLE		2
25	535 47 99-01	FOOTPLATE		1
26	586 96 64-01	PEDAL		1
27	721 43 09-70	SPRING PIN		1
28	576 35 22-01	WIRE ASSY		1
29	506 57 01-06	SCREW EHHFM		4
30	735 31 09-20	E-CLIP		2
31	721 61 52-01	SPLIT PIN		3
32	721 83 99-01	CLEVIS PIN		3
34	576 29 14-02	PUSH ROD		1
35	576 29 14-01	PUSH ROD		1
36	506 78 99-01	VINKELLÄNK DIN 71802		2
37	506 78 99-02	VINKELLÄNK DIN 71802		2
38	506 89 76-01	NUT		2
39	731 23 20-01	HEXAGON NUT		2
40	576 64 57-05	NUT FLANGE		4
41	579 44 09-01	CONTROL LEVER		1
42	576 35 15-01	SLEEVE		3
43	506 98 61-01	GLIDLAGER		3
44	576 35 16-01	WASHER		1
45	725 24 64-51	SCREW EHHM		1
46	576 43 42-01	HEXAGON NUT		3
47	576 35 12-01	CONTROL LEVER		1
48	506 93 83-01	DAMPING PIECE		2
49	579 30 36-01	BRACKET		1
50	579 32 54-01	ARM		1
51	588 83 89-01	LINK ARM		1
52	579 32 55-01	LINK ARM		1
53	506 57 01-07	SCREW EHHFM		2
54	579 30 38-01	SHEET		1
55	506 59 74-01	SCREW EHHFM		2
56	732 21 18-01	LOCK NUT		6
57	505 45 03-01	TUBE		2
58	535 42 38-02	SCREW RSQM		2
59	579 30 37-01	COVER		1
60	579 30 40-01	SPRING		1
61	579 32 87-01	WIRE ASSY		1
62	544 13 36-01	DRAW SPRING		1
63	579 30 41-01	BRACKET		1
64	506 57 01-05	SCREW EHHFM		1

DECALS



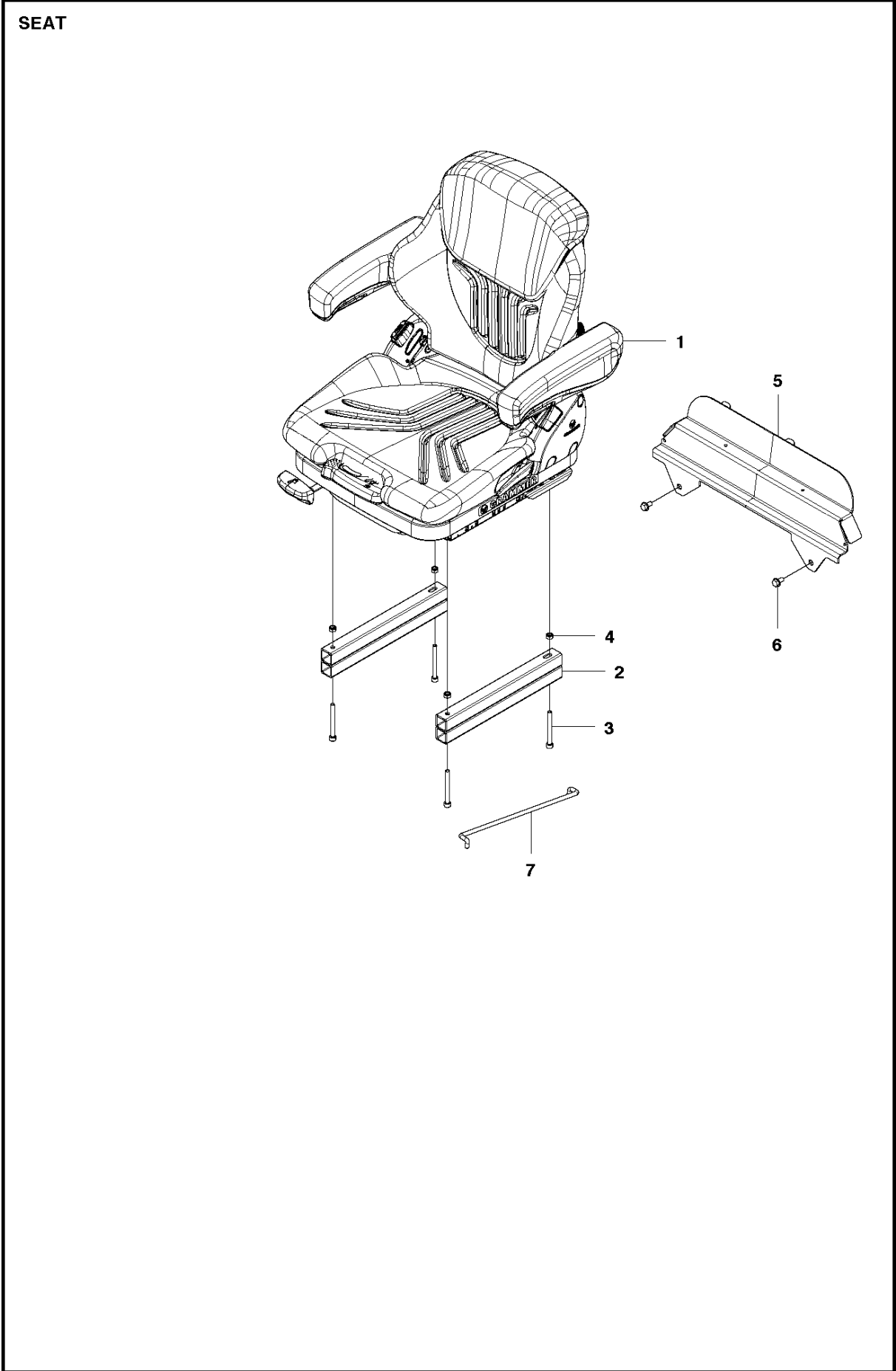
P 520D — 14



## DECALS

P520 D with cabin

Ref	Part No	Description	Remark	QTY KIT
1	581 78 40-11	LABEL		1
2	588 72 90-01	DECAL		1
3	522 44 63-01	LABEL		1
4	544 39 16-01	LABEL WARNING		1
5	574 51 00-01	DECAL		2
6	587 11 14-01	DECAL		1
8	576 97 60-01	DECAL		1
9	505 51 66-01	LABEL		1
10	521 93 90-01	LABEL		1
11	580 71 28-01	LABEL		1
12	580 71 29-01	LABEL		2
13	580 76 44-01	LABEL		1
14	577 22 18-01	DECAL		2
15	588 75 08-01	DECAL		1
16	588 72 91-01	DECAL		1



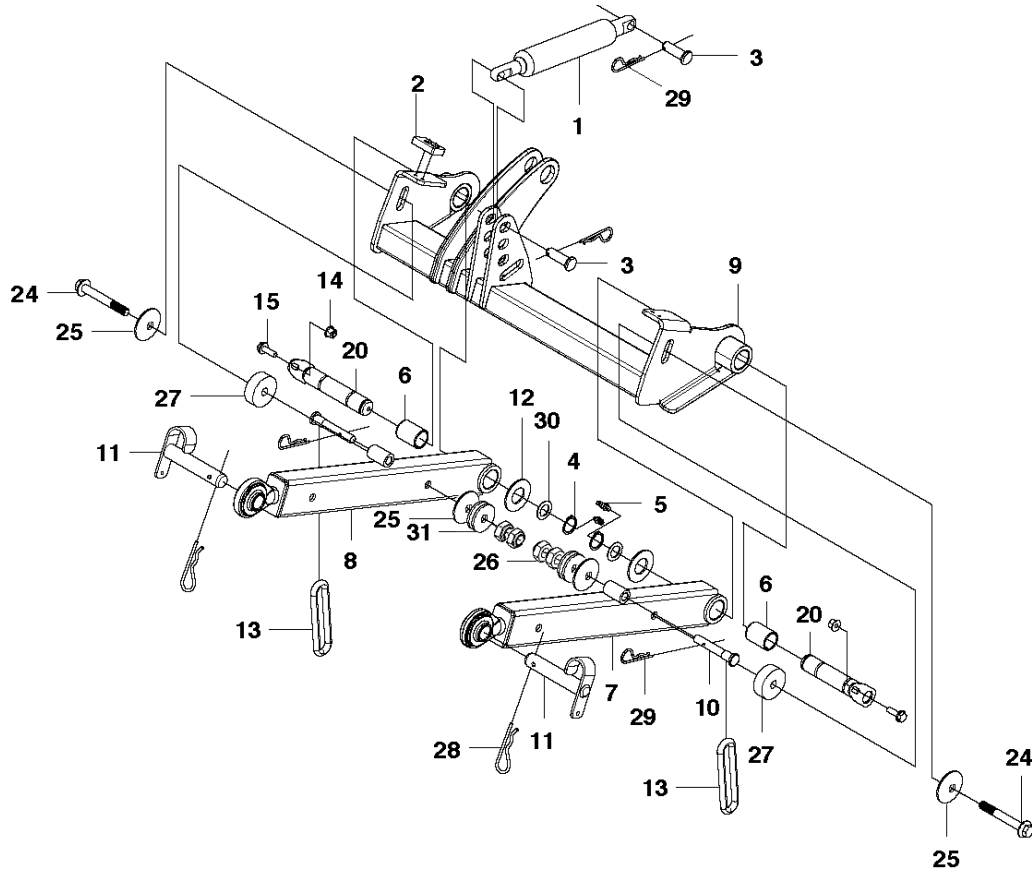


## SEAT

P520 D with cabin

Ref	Part No	Description	Remark	QTY KIT
1	588 90 83-01	SEAT		1
2	588 61 23-01	DISTANCE		4
3	725 54 67-01	SCREW IHSCM		4
4	732 21 18-01	LOCK NUT		4
5	576 54 30-01	BRACKET		1
6	506 57 01-03	SCREW EHHFM		2
7	575 88 35-01	STAY		1

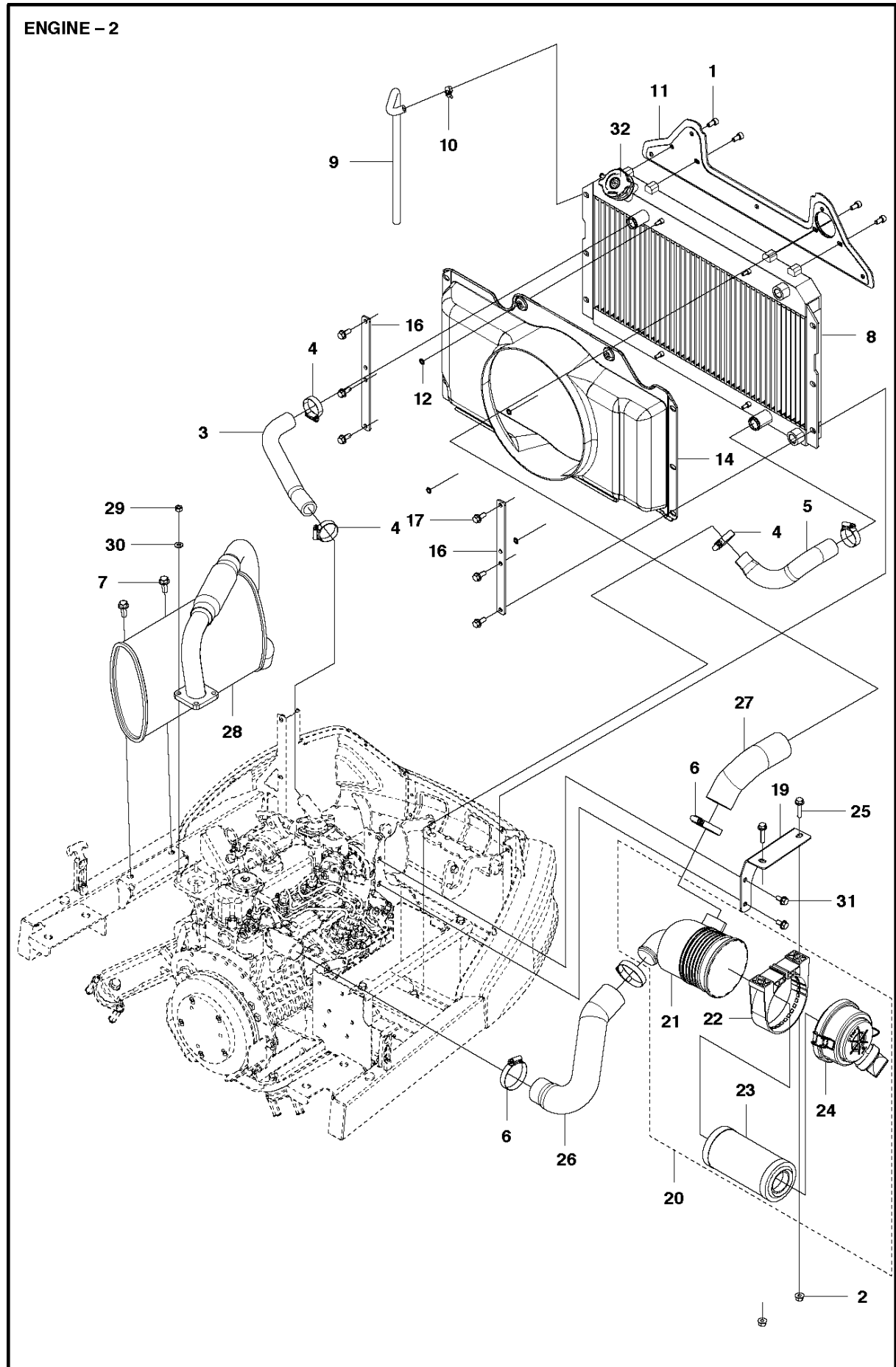
LIFTING SYSTEM



## MOWER LIFT / DECK LIFT

P520 D with cabin

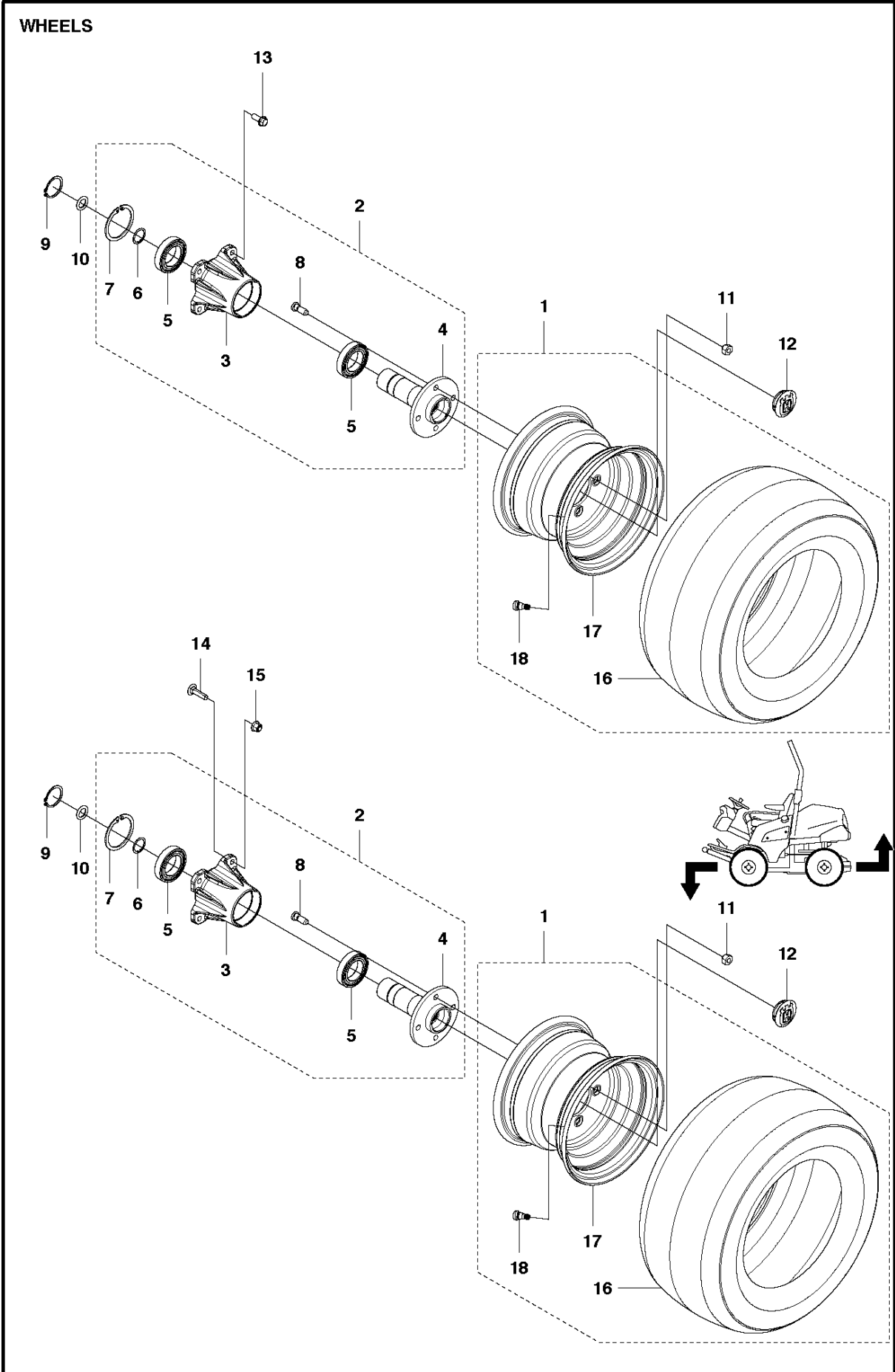
Ref	Part No	Description	Remark	QTY KIT
1	576 05 01-01	GAS SPRING		1
2	581 99 55-01	DISTANCE		1
3	721 85 70-01	CLEVIS PIN		2
4	574 45 88-01	CIRCLIP		2
5	738 88 10-02	LUBRICATION NIPPLE		2
6	576 63 04-01	BUSHING		2
7	578 96 94-01	LIFTING ARM		1
8	578 96 94-02	LIFTING ARM		1
9	575 81 44-01	BEAM		1
10	504 88 76-01	COTTER		2
11	586 42 47-01	COTTER		2
12	506 94 58-01	WASHER		2
13	544 18 50-01	LINK	LINK	2
14	576 64 57-04	NUT FLANGE		2
15	506 57 01-05	SCREW EHHFM		2
20	576 59 79-02	SHAFT ASSY		2
24	576 65 48-09	SCREW EHHFM		2
25	544 25 32-01	WASHER		4
26	731 43 22-01	HEXAGON THIN NUT		4
27	576 62 56-01	WASHER		2
28	506 96 66-01	HAIR PIN COTTER		2
29	721 68 02-51	SPRING COTTER		4
30	506 50 48-06	WASHER		2
31	579 81 17-01	SPRING WASHER		4



## ENGINE

P520 D with cabin

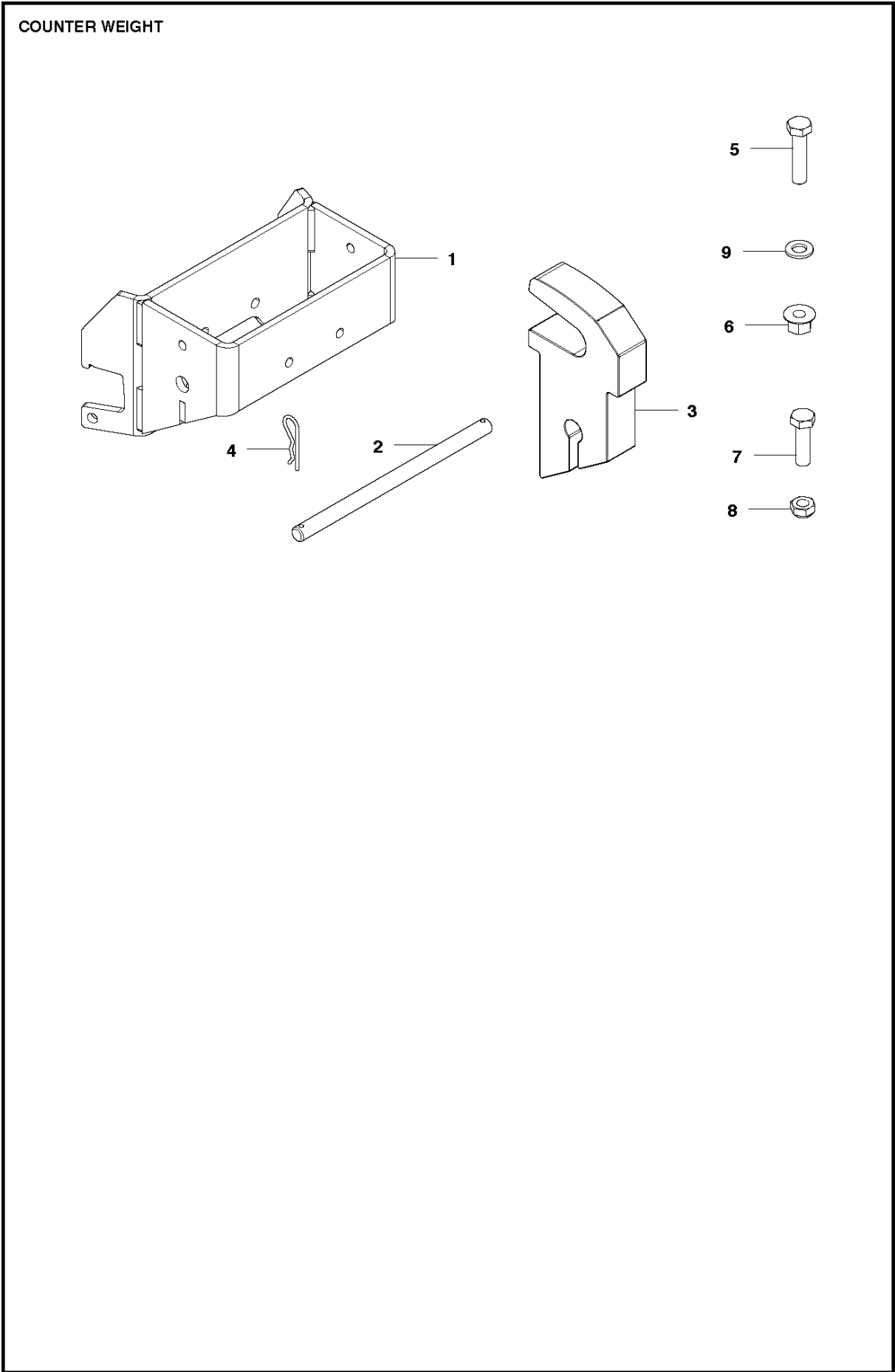
Ref	Part No	Description	Remark	QTY	KIT
1	725 54 49-01	SCREW IHSCM		4	
2	576 64 57-04	NUT FLANGE		2	
3	581 53 62-01	HOSE		1	
4	544 20 27-02	HOSE CLAMP		4	
5	575 97 05-01	HOSE		1	
6	544 20 27-03	HOSE CLAMP		3	
7	506 67 54-01	SCREW EHHFM		2	
8	579 41 63-01	COOLER		1	
9	585 51 05-04	FUEL HOSE		1	
10	544 28 26-05	HOSE CLAMP		1	
11	579 58 20-01	WALL		1	
12	506 96 36-01	WASHER		4	
14	578 93 62-01	SHROUD		1	13
16	577 80 78-01	PLATE		2	
17	506 57 01-04	SCREW EHHFM		6	
19	576 67 78-01	BRACKET		1	
20	576 37 96-01	AIR CLEANER		1	
21	576 37 95-01	AIR FILTER		1	20
22	522 59 84-01	BRACKET		1	20
23	544 28 30-01	AIR FILTER		1	20
24	581 51 59-01	AIR FILTER		1	20
25	506 57 01-06	SCREW EHHFM		2	
26	575 97 03-01	HOSE		1	
27	575 97 02-01	HOSE		1	
28	575 96 21-01	MUFFLER		1	
29	731 23 18-01	HEXAGON NUT		4	
30	734 11 64-01	WASHER		4	
31	506 57 01-03	SCREW EHHFM		2	
32	577 09 35-01	HUB CAP		1	



## WHEELS &amp; TIRES

P520 D with cabin

Ref	Part No	Description	Remark	QTY	KIT
1	576 95 91-01	WHEEL ASSY		4	
2	575 88 73-01	HUB		4	
3	575 88 75-01	BEARING HOUSING		1	2
4	575 88 76-01	SHAFT		1	2
5	738 21 09-04	BALL BEARING		2	2
6	576 12 77-01	LOCK RING		1	2
7	576 12 76-01	LOCK RING		1	2
8	506 89 02-01	BOLT		4	2
9	735 31 31-10	CIRCLIP		4	
10	576 12 78-01	O-RING		4	
11	506 86 50-01	WHEEL NUT		16	
12	506 86 48-01	PROTECTIVE COVER		4	
13	506 67 54-01	SCREW EHHFM		8	
14	727 64 99-51	SCREW		8	
15	576 64 57-05	NUT FLANGE		8	
16	577 58 91-01	TIRE		1	1
17	577 58 95-01	RIM		1	1
18	523 03 47-01	VALVE		1	1



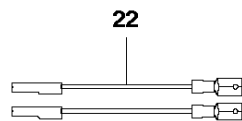
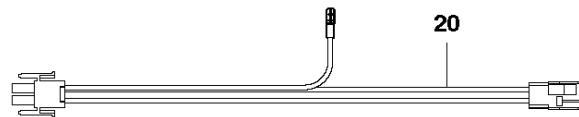
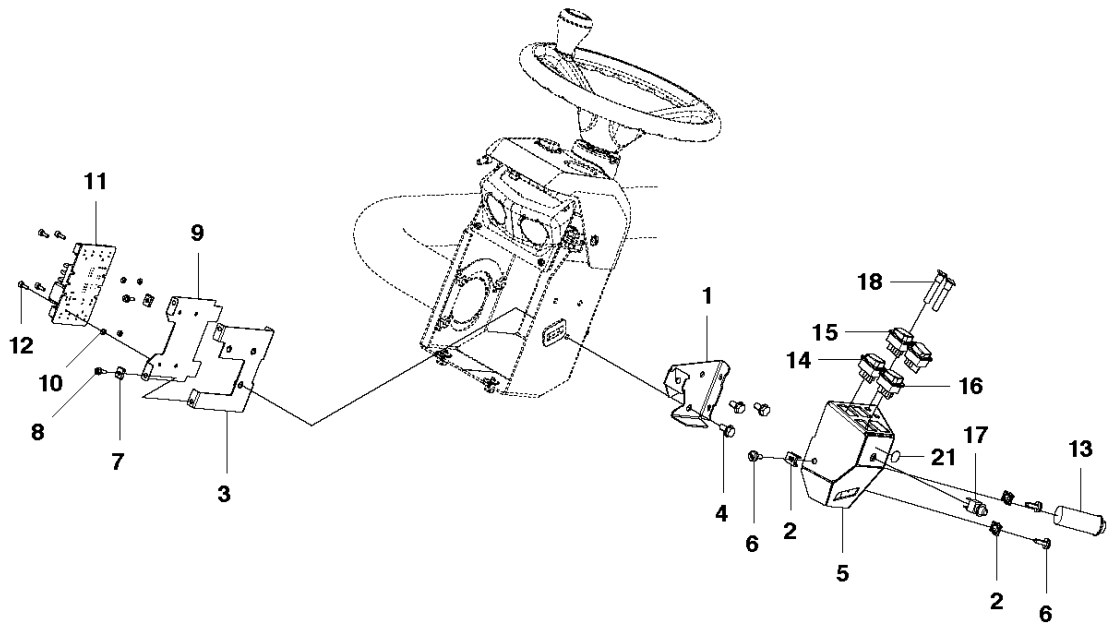


COUNTER WEIGHT

P520 D with cabin

Ref	Part No	Description	Remark	QTY KIT
1	578 34 05-01	MOUNTING BRACKET		1
2	578 34 09-01	PEN		1
3	576 23 70-01	WEIGHT		5
4	506 96 66-01	HAIR PIN COTTER		2
5	725 25 42-51	SCREW EHHM		4
6	576 64 57-06	NUT FLANGE		4
7	725 25 40-71	SCREW EHHM		2
8	732 25 22-01	HEXAGON LOCKING NUT		4
9	734 11 78-01	WASHER		4

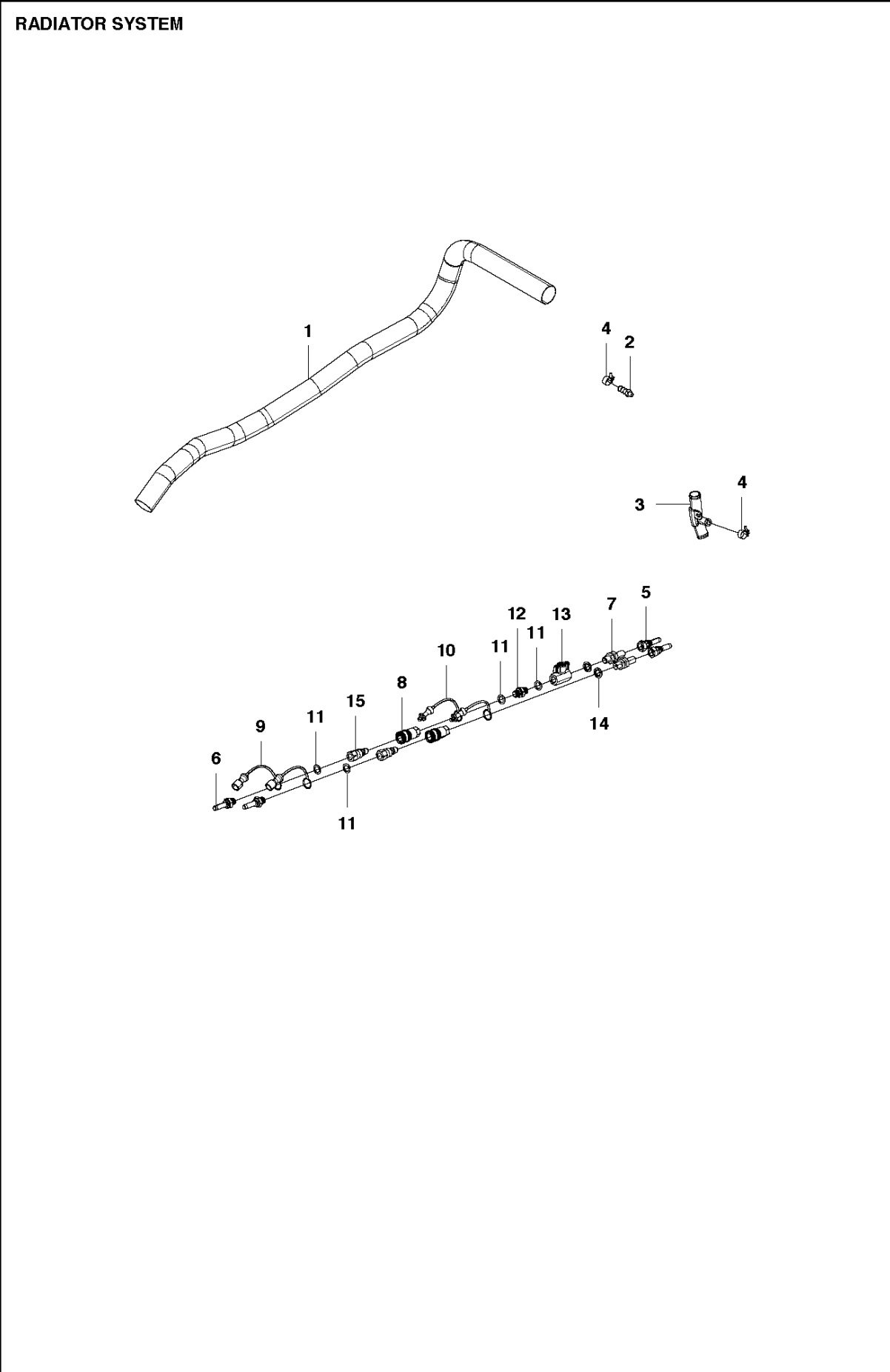
**ELECTRONIC BOX**



## ELECTRICAL

P520 D with cabin

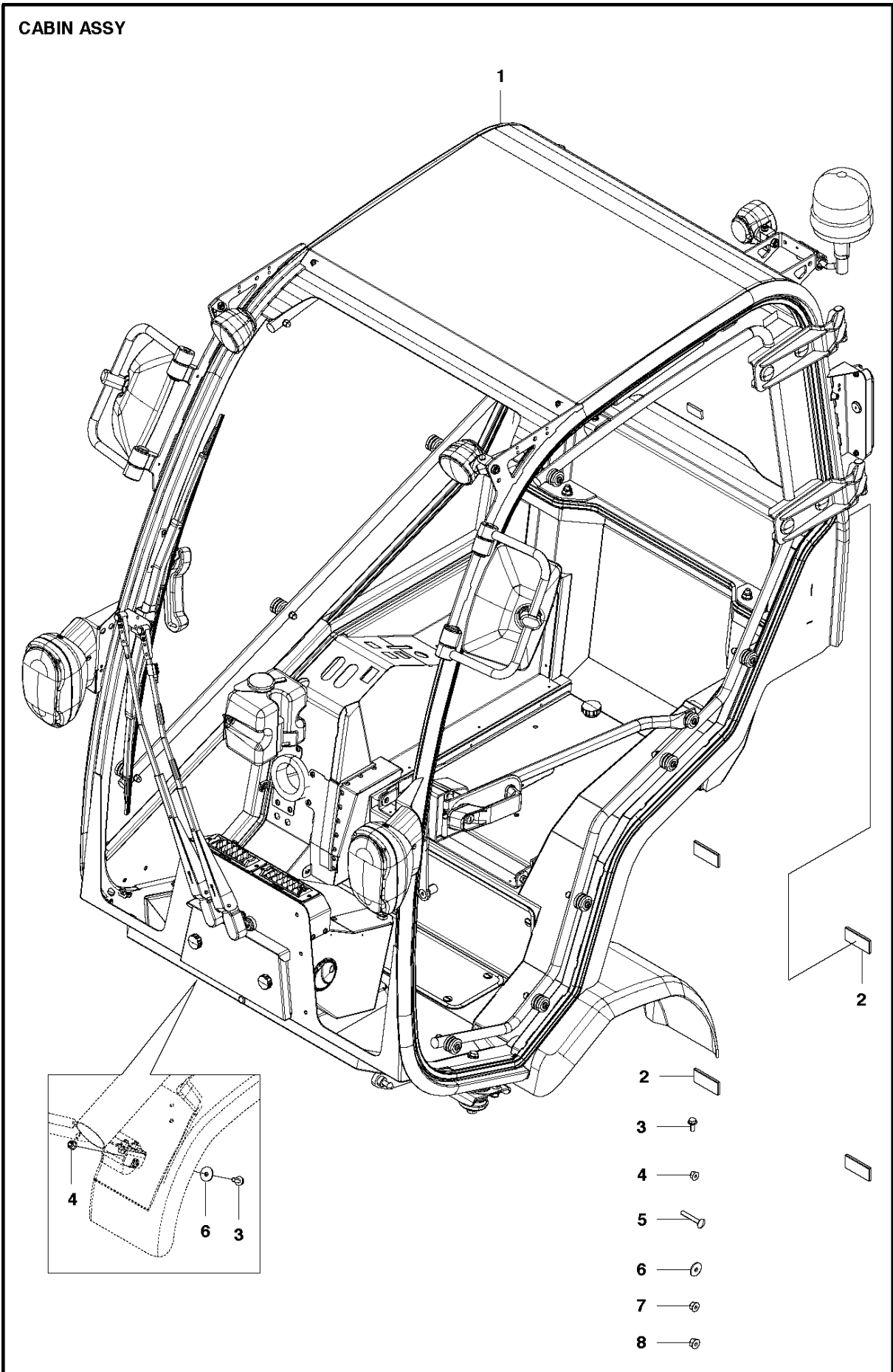
Ref	Part No	Description	Remark	QTY KIT
1	578 11 40-01	BRACKET		1
2	535 42 91-01	SPRING NUT		3
3	578 11 42-01	BRACKET		1
4	506 57 01-03	SCREW EHHFM		3
5	578 11 41-01	BOX		1
6	574 85 62-02	SCREW		3
7	506 89 20-01	SPEED NUT		2
8	535 41 56-19	SCREW		2
9	578 11 44-01	BRACKET		1
10	578 25 21-01	POSITION WASHER		4
11	578 86 44-01	CONTROL BOARD		1
12	503 20 25-12	SCREW IHSCM		4
13	578 25 72-01	SWITCH		1
14	578 86 50-01	SWITCH		1
15	578 86 53-01	SWITCH		1
16	578 86 54-01	SWITCH		1
17	578 86 55-01	SWITCH		1
18	578 86 59-01	INDICATOR		2
19	578 87 51-01	WIRING		1
20	579 01 90-01	WIRING		1
21	578 97 24-01	LABEL		1
22	581 04 68-01	WIRING		1



## RADIATOR

P520 D with cabin

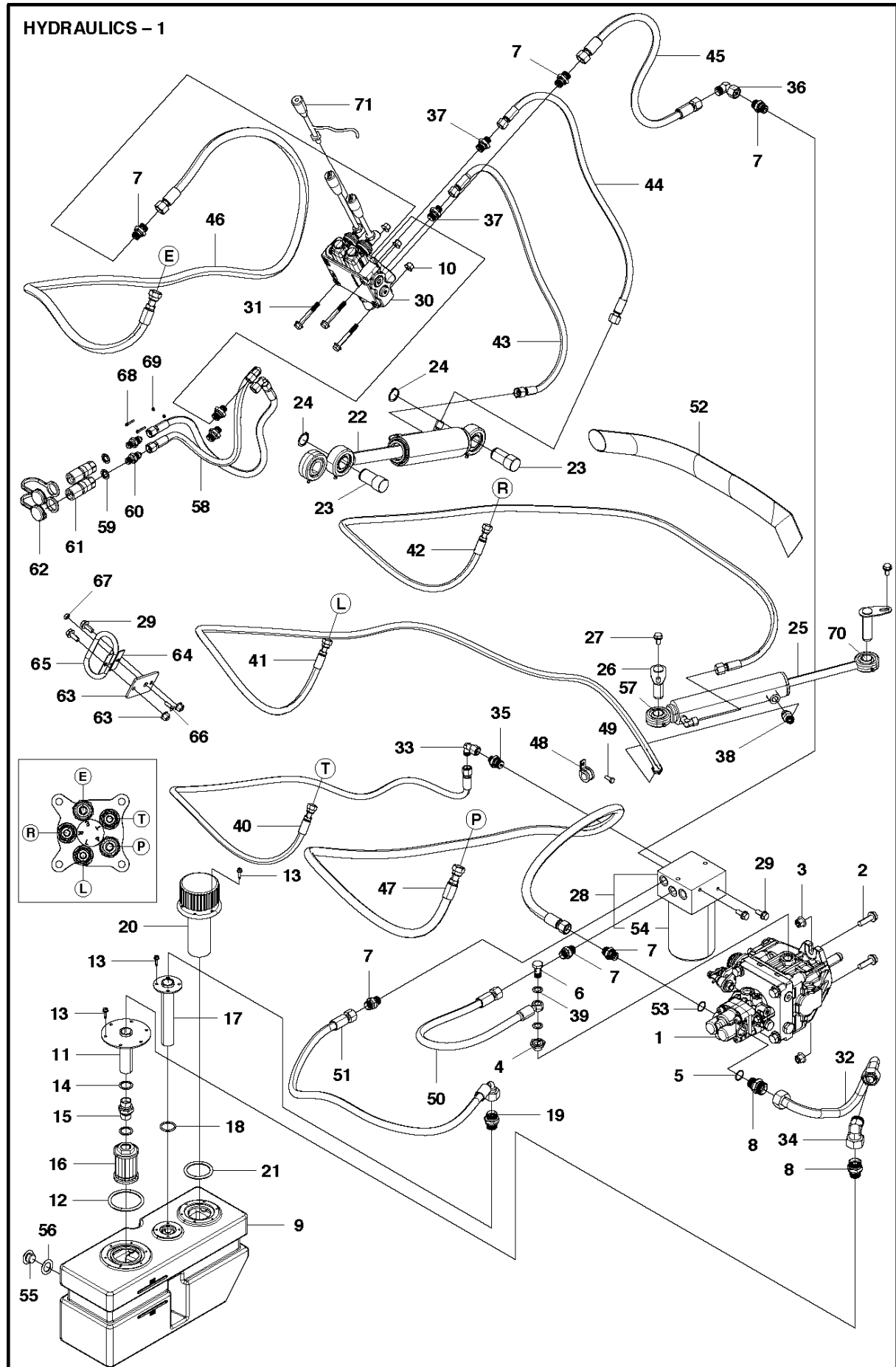
Ref	Part No	Description	Remark	QTY KIT
1	505 45 38-03	HOSE GUARD		1
2	582 12 91-01	NIPPLE		1
3	578 85 60-01	PIPE FITTING		1
4	505 44 36-02	HOSE CLAMP		6
5	588 82 95-01	CONNECTOR		2
6	588 82 96-01	CONNECTOR		2
7	588 82 98-01	QUICK COUPLING		2
8	588 83 00-01	QUICK COUPLING		2
9	588 83 01-01	SEALING PLUG		2
10	588 83 02-01	SEALING PLUG		2
11	544 01 00-05	GASKET		4
12	588 82 97-01	CONNECTOR		1
13	588 83 03-01	VALVE		1
14	535 43 72-01	WASHER		2
15	544 39 86-01	PIPE FITTING		2



CABIN

P520 D with cabin

Ref	Part No	Description	Remark	QTY KIT
1	588 52 49-01	CABIN		1
2	544 88 98-01	REFLECTOR		4
3	506 57 01-04	SCREW EHHFM		5
4	576 64 57-04	NUT FLANGE		6
5	535 42 38-02	SCREW RSQM		1
6	544 22 16-01	WASHER		8
7	576 64 57-06	NUT FLANGE		4
8	576 64 57-05	NUT FLANGE		8





## HYDRAULICS

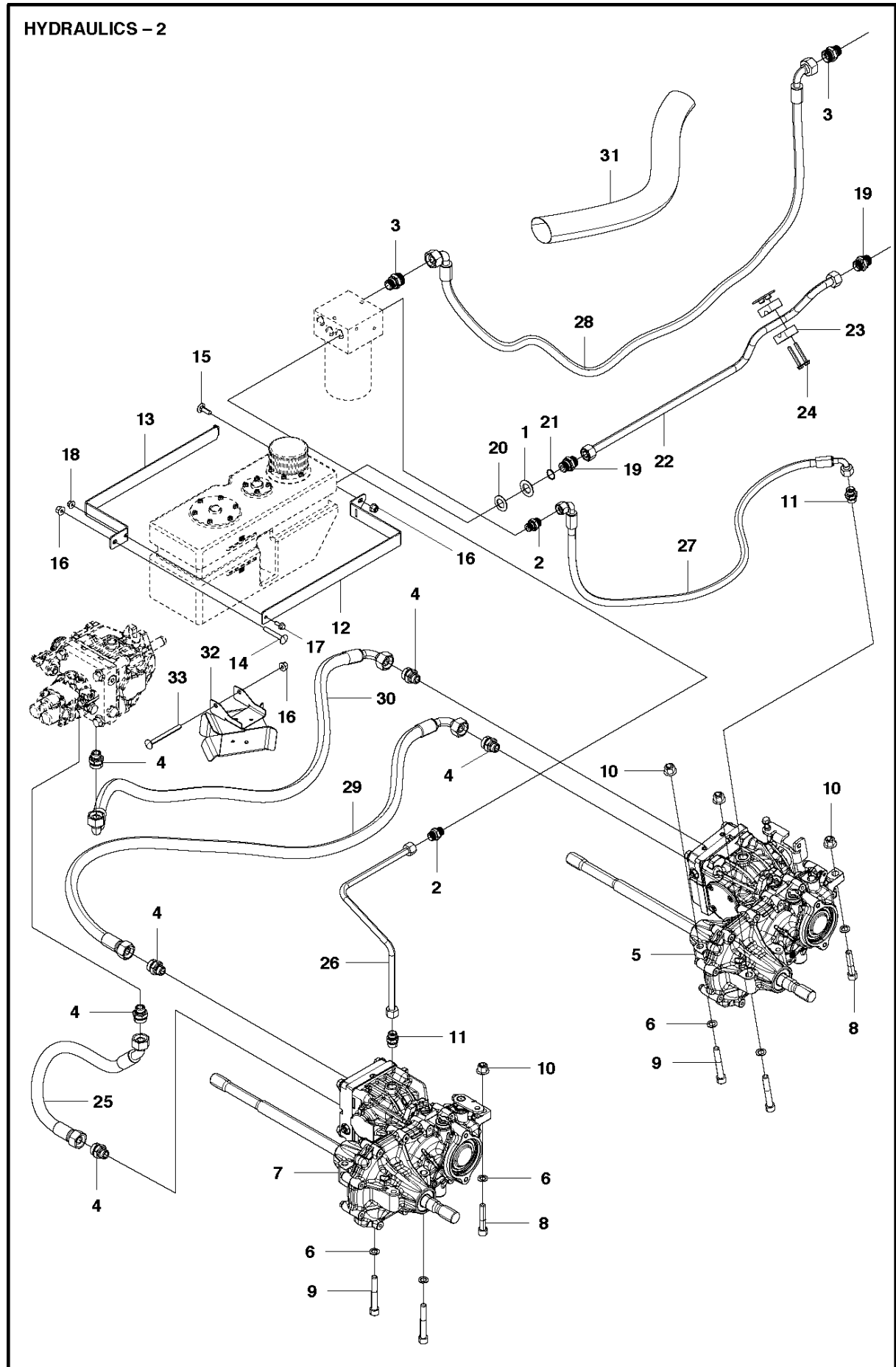
P520 D with cabin

Ref	Part No	Description	Remark	QTY	KIT
1	575 88 69-01	HYDRAULIC PUMP		1	
2	506 67 54-08	COLLAR SCREW		2	
3	576 64 57-05	NUT FLANGE		3	
4	575 88 65-01	PIPE FITTING		1	
5	740 42 17-00	O-RING		1	
6	575 88 64-01	BOLT		1	
7	575 88 13-04	CONNECTOR		6	
8	575 88 13-01	CONNECTOR		2	
9	576 95 96-01	HYDRAULIC TANK ASSY		1	
10	576 64 57-04	NUT FLANGE		3	
11	575 87 08-01	PIPE		1	
12	544 04 65-05	O-RING		1	
13	535 41 56-19	SCREW		16	
14	544 01 00-01	GASKET		2	
15	544 00 97-01	PIPE FITTING		1	
16	544 00 19-01	FILTER		1	
17	575 87 09-01	PIPE		1	
18	544 04 65-06	O-RING		1	
19	575 88 13-03	CONNECTOR		1	
20	544 17 64-01	TANK CAP		1	
21	544 04 65-03	O-RING		1	
22	579 43 81-01	HYDRAULIC CYLINDER		1	
23	576 30 85-01	COTTER		2	
24	735 31 26-00	CIRCLIP		2	
25	579 44 14-01	HYDRAULIC CYLINDER		1	
26	576 28 64-01	SHAFT ASSY		2	
27	506 57 01-03	SCREW EHHFM		2	
28	588 13 00-01	FILTER UNIT		1	
29	506 57 01-04	SCREW EHHFM		4	
30	588 54 86-01	VALVE		1	
31	506 57 01-08	SCREW EHHFM		3	
32	575 87 61-01	HYDRAULIC PIPE		1	
33	575 88 15-01	CONNECTOR		1	
34	575 88 15-02	CONNECTOR		1	
35	575 88 13-02	CONNECTOR		2	
36	575 88 15-03	CONNECTOR		1	
37	576 44 40-01	PIPE FITTING		1	
38	579 73 76-01	PIPE FITTING		1	
39	544 01 00-04	GASKET		2	
40	575 87 50-02	HYDRAULIC HOSE		1	
41	575 87 52-01	HYDRAULIC HOSE		1	
42	575 87 53-02	HYDRAULIC HOSE		1	
43	575 87 56-01	HYDRAULIC HOSE		1	
44	575 87 55-01	HYDRAULIC HOSE		1	
45	575 87 58-01	HYDRAULIC HOSE		1	
46	575 87 54-01	HYDRAULIC HOSE		1	
47	575 87 51-01	HYDRAULIC HOSE		1	
48	574 53 12-03	HOSE CLAMP		1	
49	725 23 64-61	SCREW EHHFT		1	
50	575 87 47-01	HYDRAULIC HOSE		1	
51	576 63 21-02	HYDRAULIC HOSE		1	
52	505 45 38-04	HOSE GUARD		1	
53	740 42 13-00	O-RING		1	
54	588 15 59-01	FILTER		1	28
55	522 47 12-01	OIL PLUG		1	
56	522 47 13-01	WASHER		1	
57	586 97 85-01	BEARING		1	
58	578 17 95-02	HYDRAULIC HOSE		2	
59	535 43 72-01	WASHER		2	
60	575 88 13-06	CONNECTOR		2	
61	544 39 74-01	QUICK COUPLING		2	
62	544 46 12-01	SEALING PLUG		2	
63	578 25 47-01	SHEET		1	
64	578 37 01-01	SHEET		1	

## HYDRAULICS

P520 D with cabin

Ref	Part No	Description	Remark	QTY KIT
65	578 25 48-01	SHEET		1
66	522 66 90-01	SCREW IHSCFM		1
67	731 23 16-01	HEXAGON NUT		1
68	725 52 30-01	SCREW IHSCM		2
69	731 23 10-01	HEXAGON NUT		2
70	595 87 85-01	SERVICE KIT	Bearing and circlip	1
71	578 17 96-01	LEVER	For 967602001, 2016	1



## HYDRAULICS

P520 D with cabin

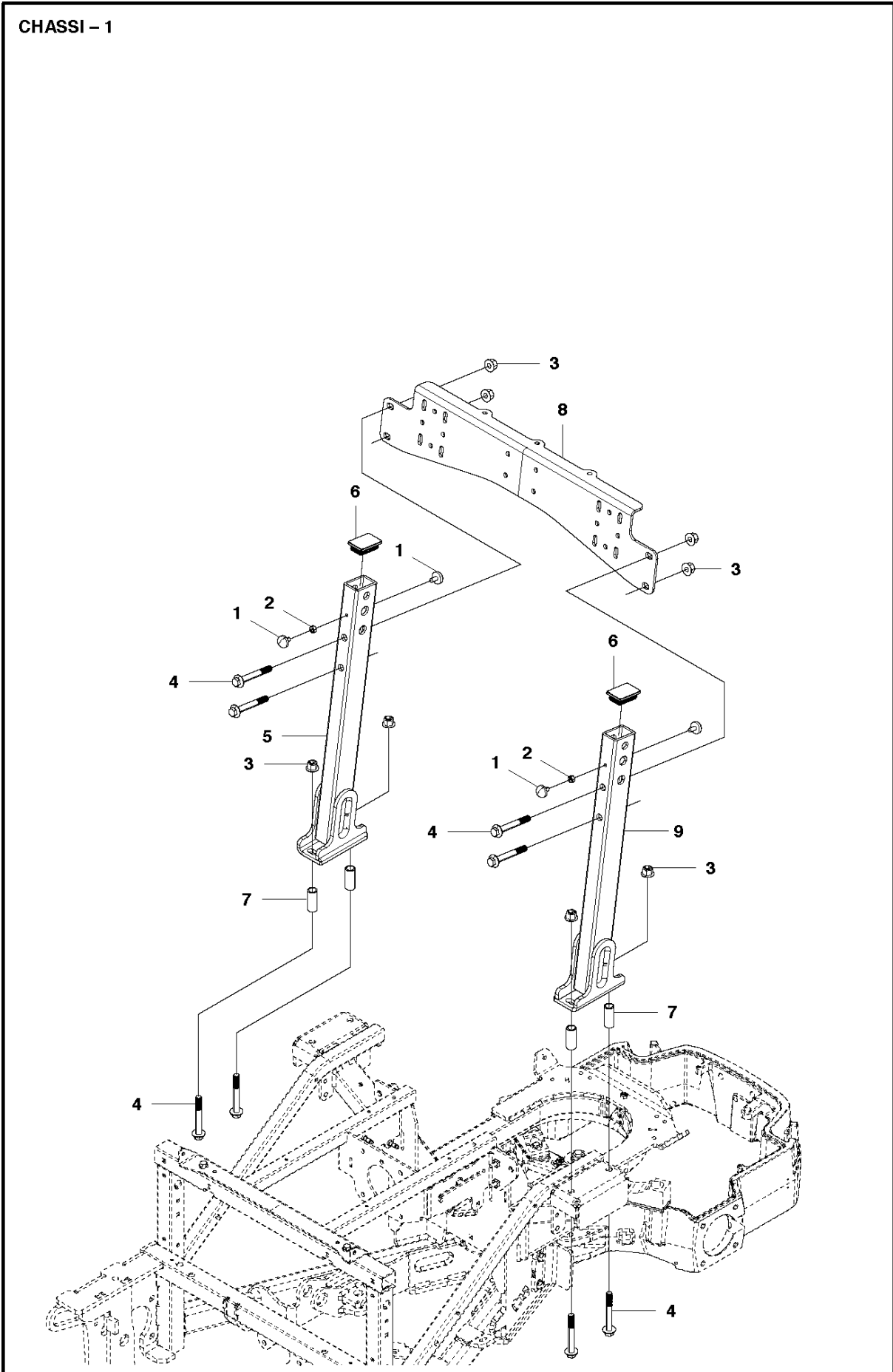
Ref	Part No	Description	Remark	QTY KIT
1	506 77 57-01	WASHER		1
2	575 88 13-04	CONNECTOR		2
3	575 88 13-01	CONNECTOR		2
4	575 88 14-01	CONNECTOR		6
5	575 88 70-01	TRANSMISSION		1
6	734 11 77-71	WASHER		6
7	575 88 71-01	TRANSMISSION		1
8	544 25 63-03	SCREW IHSCM		4
9	544 25 63-01	SCREW IHSCM		2
10	576 64 57-06	NUT FLANGE		4
11	575 88 14-02	CONNECTOR		2
12	575 87 12-01	BRACKET		1
13	575 87 13-01	BRACKET		1
14	535 42 38-02	SCREW RSQM		1
15	535 42 38-01	SCREW RSQM		1
16	576 64 57-04	NUT FLANGE		3
17	725 23 68-71	SCREW EHHM		1
18	576 64 57-03	NUT FLANGE		1
19	575 88 13-03	CONNECTOR		2
20	522 47 13-01	WASHER		1
21	740 42 17-00	O-RING		1
22	579 70 68-01	HYDRAULIC PIPE		1
23	579 73 61-01	PIPE CLAMP		1
24	535 47 52-45	SCREW EHHFM		2
25	587 44 46-01	HYDRAULIC HOSE		1
26	575 87 59-01	HYDRAULIC PIPE		1
27	575 87 46-02	HYDRAULIC HOSE		1
28	575 87 48-02	HYDRAULIC HOSE		1
29	575 87 44-01	HYDRAULIC HOSE		1
30	575 87 45-02	HYDRAULIC HOSE		1
31	505 45 38-02	HOSE GUARD		1
32	579 58 25-02	TUBE		1
33	727 64 69-51	SCREW RSQM		1



## HYDRAULICS

P520 D with cabin

Ref	Part No	Description	Remark	QTY KIT
1	577 40 03-01	BUSHING		2
2	577 40 10-01	PLATE		2
3	577 38 86-01	PULL ROD		1
4	577 39 08-01	CONTROL SHAFT	NORMAL THREADS	1
4	585 44 84-01	CONTROL SHAFT	FINE THREADS	1
5	577 39 06-01	SPRING		2
6	576 82 31-01	WASHER		3
7	731 23 20-01	HEXAGON NUT	NORMAL THREADS	2
7	586 05 01-01	NUT	FINE THREADS	2
8	577 40 85-01	ROD END		4
9	725 25 02-71	SCREW EHHM		2
10	725 24 97-51	SCREW		1
11	732 21 20-51	NUT		6
12	506 95 17-01	ROD END		1
13	577 37 67-01	SCREW EHHM		1
14	725 25 13-51	SCREW EHHM		1
15	727 64 99-51	SCREW		1
16	576 64 57-05	NUT FLANGE		3
17	586 05 01-01	NUT		2
18	734 11 72-01	WASHER		1



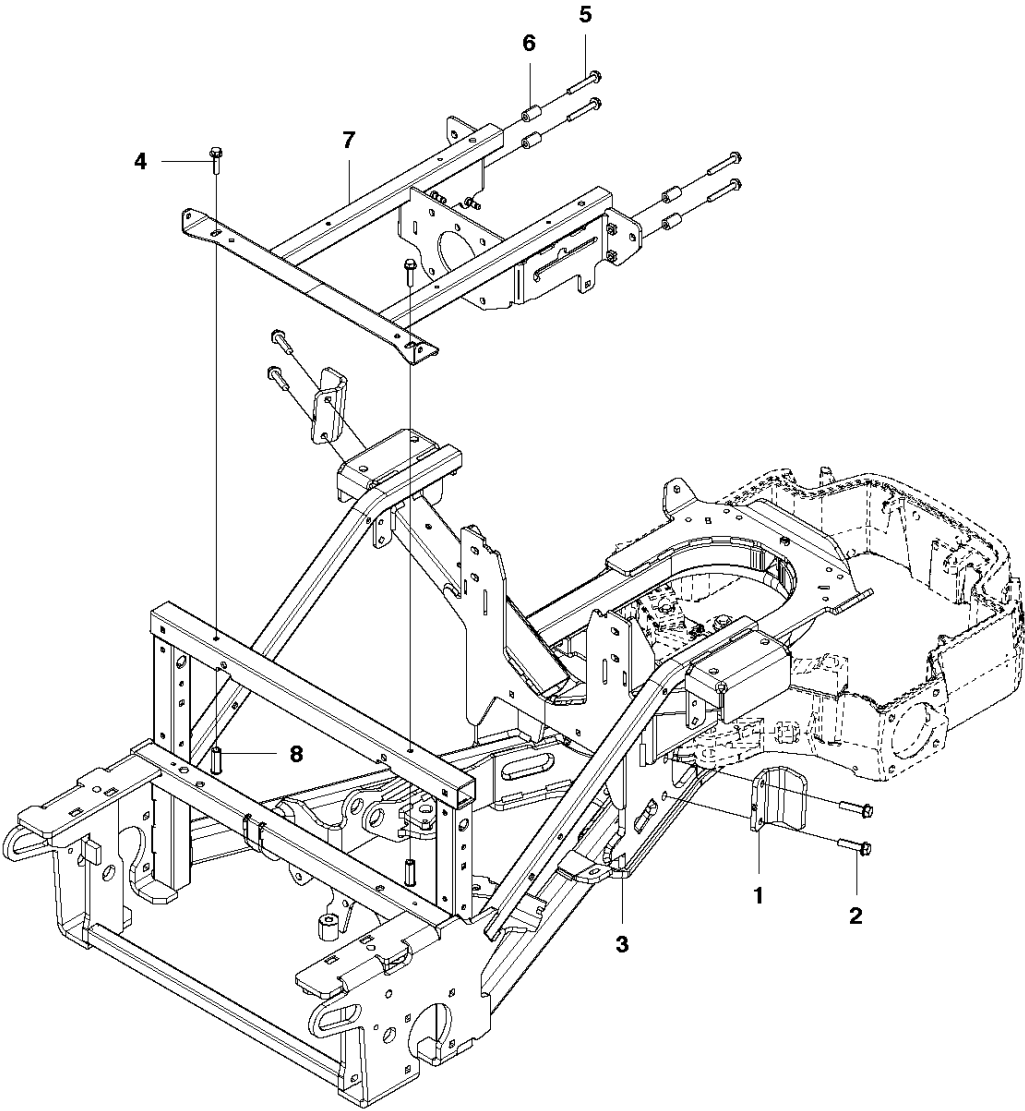
## CHASSIS / FRAME

P520 D with cabin

Ref	Part No	Description	Remark	QTY KIT
1	501 97 66-01	ANTIVIBRATION ELEMENT		4
2	731 23 18-01	HEXAGON NUT		2
3	576 64 57-06	NUT FLANGE		8
4	576 65 48-09	SCREW EHHFM		8
5	576 12 38-02	ROPS		1
6	577 66 81-01	PLASTIC COVER		2
7	579 70 33-01	TUBE SLEEVE		4
8	577 40 61-01	STIFFENING PLATE		1
9	576 12 38-01	ROPS		1



CHASSI - 2

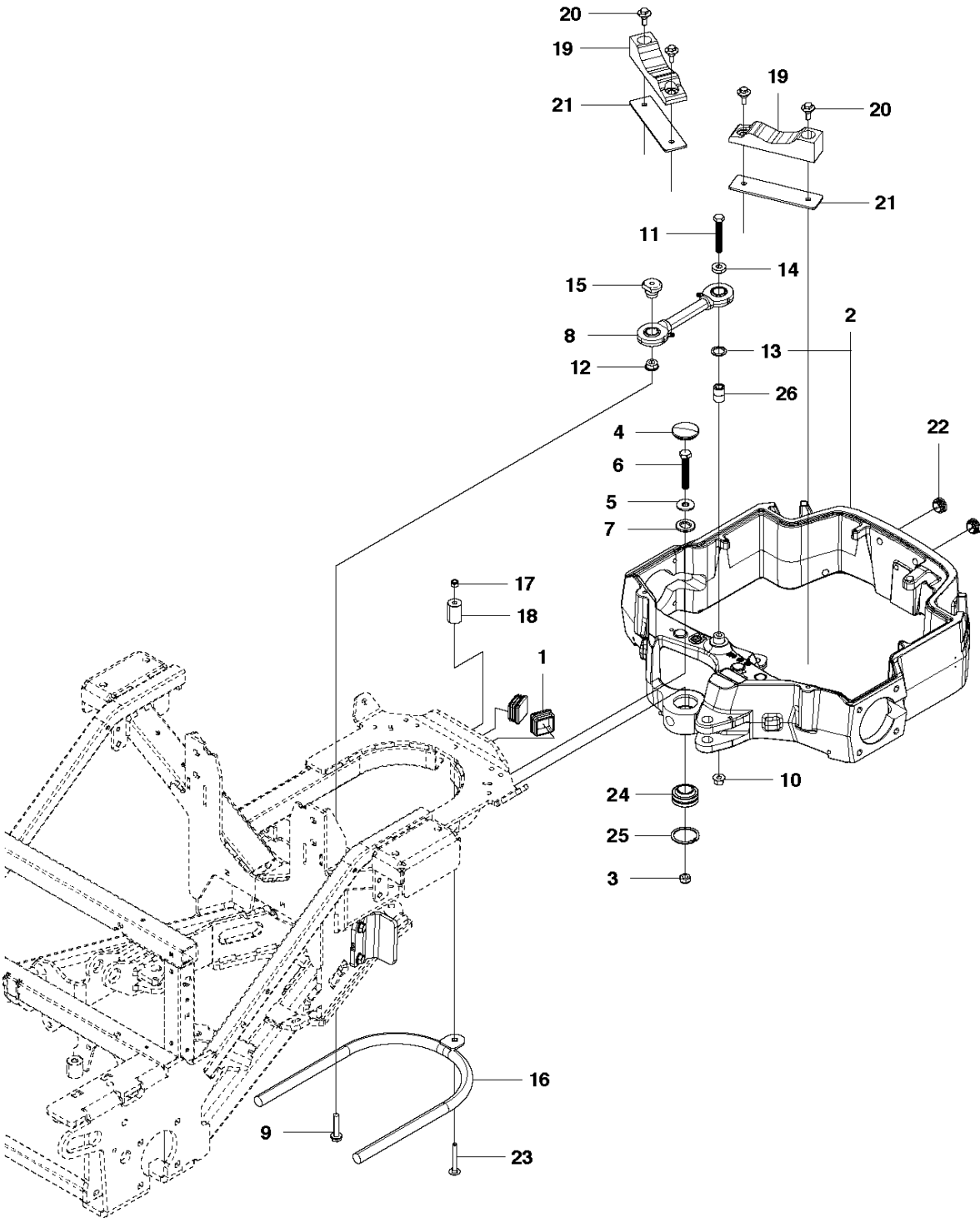


## CHASSIS / FRAME

P520 D with cabin

Ref	Part No	Description	Remark	QTY KIT
1	579 62 23-01	CONTACT PLATE		2
2	506 67 54-08	COLLAR SCREW		4
3	579 43 19-01	FRAME		1
4	506 57 01-06	SCREW EHHFM		2
5	506 57 01-07	SCREW EHHFM		4
6	506 99 20-01	PIPE		4
7	576 00 64-02	BRACKET		1
8	576 43 42-01	HEXAGON NUT		2

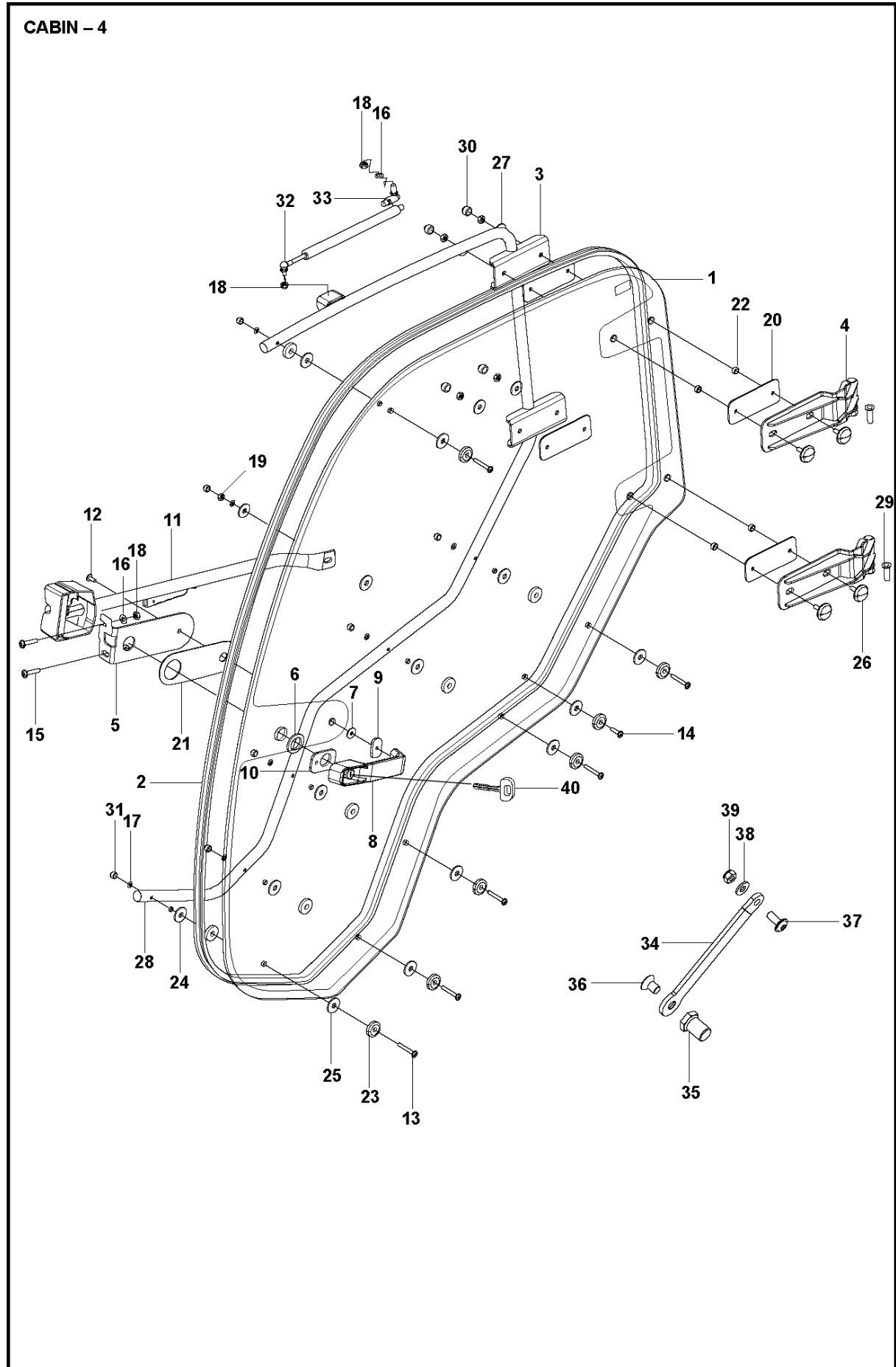
CHASSI - 3



## CHASSIS / FRAME

P520 D with cabin

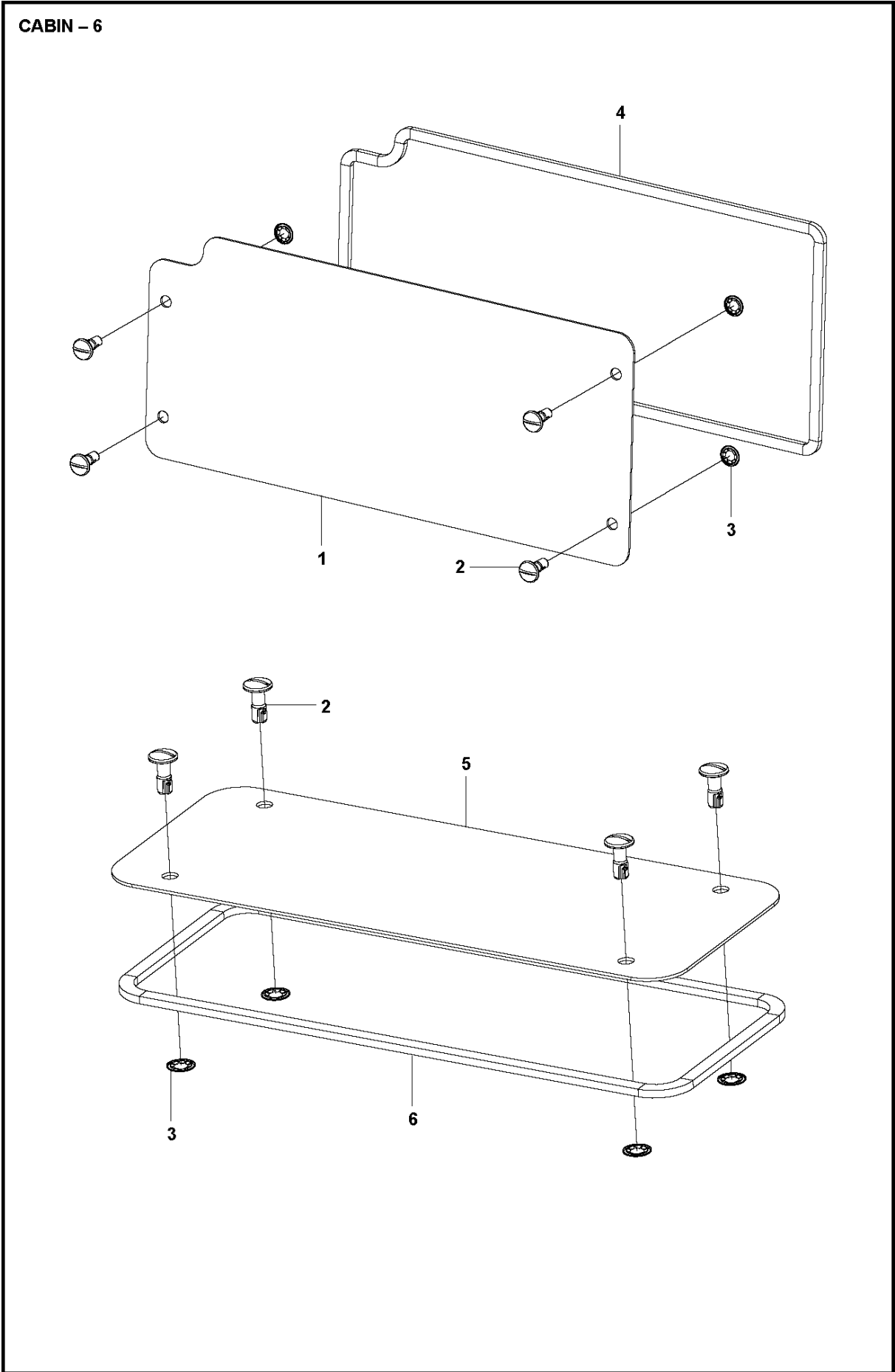
Ref	Part No	Description	Remark	QTY KIT
1	544 25 41-01	PLUG		2
2	584 63 07-01	REPAIR KIT		1
3	732 25 22-01	HEXAGON LOCKING NUT		1
4	581 82 83-01	DUST COVER		1
5	577 61 45-01	WASHER		1
6	576 65 48-07	SCREW EHHFM		1
7	577 61 46-01	FIXING WASHER		1
8	576 11 00-01	LINK RODS		1
9	580 70 36-01	SCREW EHHM		1
10	576 64 57-05	NUT FLANGE		1
11	577 37 67-01	SCREW EHHM		1
12	579 24 97-01	PIVOT		1
13	583 86 12-01	WASHER		1
14	578 24 64-01	SLEEVE		1
15	579 49 05-01	PIVOT		1
16	588 18 00-01	TUBE		1
17	732 21 18-01	LOCK NUT		1
18	579 41 60-01	SLEEVE		1
19	585 56 30-01	WEAR PLATE		2
20	544 36 24-01	SCREW		4
21	576 47 42-01	PLATE		2
22	580 64 31-01	INSERT		2
23	725 24 64-51	SCREW EHHM	967602001, 2017	1
23	535 42 38-03	SCREW RSQM	For 967602001, 2016	1
24	576 27 17-01	BEARING		1
25	576 46 80-01	LOCK RING		1
26	583 85 47-01	SHAFT PIVOT		1



## CABIN

P520 D with cabin

Ref	Part No	Description	Remark	QTY KIT
1	501 99 86-01	DOOR		1
2	501 99 87-01	SEAL		1
3	579 86 79-01	HANDLE		1
4	579 86 80-01	HINGE		2
5	579 86 81-01	HANDLE BRACKET		1
6	579 86 82-01	DISC		1
7	579 86 83-01	DISC		1
8	501 99 88-01	BUTTON		1
9	501 99 89-01	SUPPORT		1
10	501 99 90-01	PAD		1
11	501 99 92-01	LATCH		1
12	531 11 95-89	SCREW		1
13	579 86 42-01	SCREW		6
14	525 44 88-01	SCREW ITXPANTT		1
15	579 86 91-01	SCREW		2
16	579 86 92-01	WASHER		3
17	579 85 97-01	WASHER		7
18	522 91 94-01	LOCK NUT		8
19	732 21 16-01	LOCK NUT		7
20	579 86 85-01	PAD		4
21	579 86 86-01	PAD		1
22	579 86 96-01	DISTANCE		4
23	579 86 90-01	DISC		13
24	579 86 97-01	DISC		7
25	579 86 98-01	DISC		7
26	579 86 99-01	DISC		4
27	579 87 03-01	WASHER		5
28	579 87 04-01	PLUG		2
29	579 87 10-01	BEARING		2
30	579 87 05-01	CAP		4
31	579 87 06-01	CAP		7
32	501 99 93-01	GAS SPRING		1
33	501 99 94-01	BALL JOINT		1
34	579 86 12-01	HINGE		1
35	579 86 13-01	LOCKING BOLT		1
36	579 86 14-01	SCREW		1
37	579 86 15-01	SCREW		1
38	579 86 16-01	WASHER		1
39	522 91 94-01	LOCK NUT		1
40	580 89 00-01	KEY		1

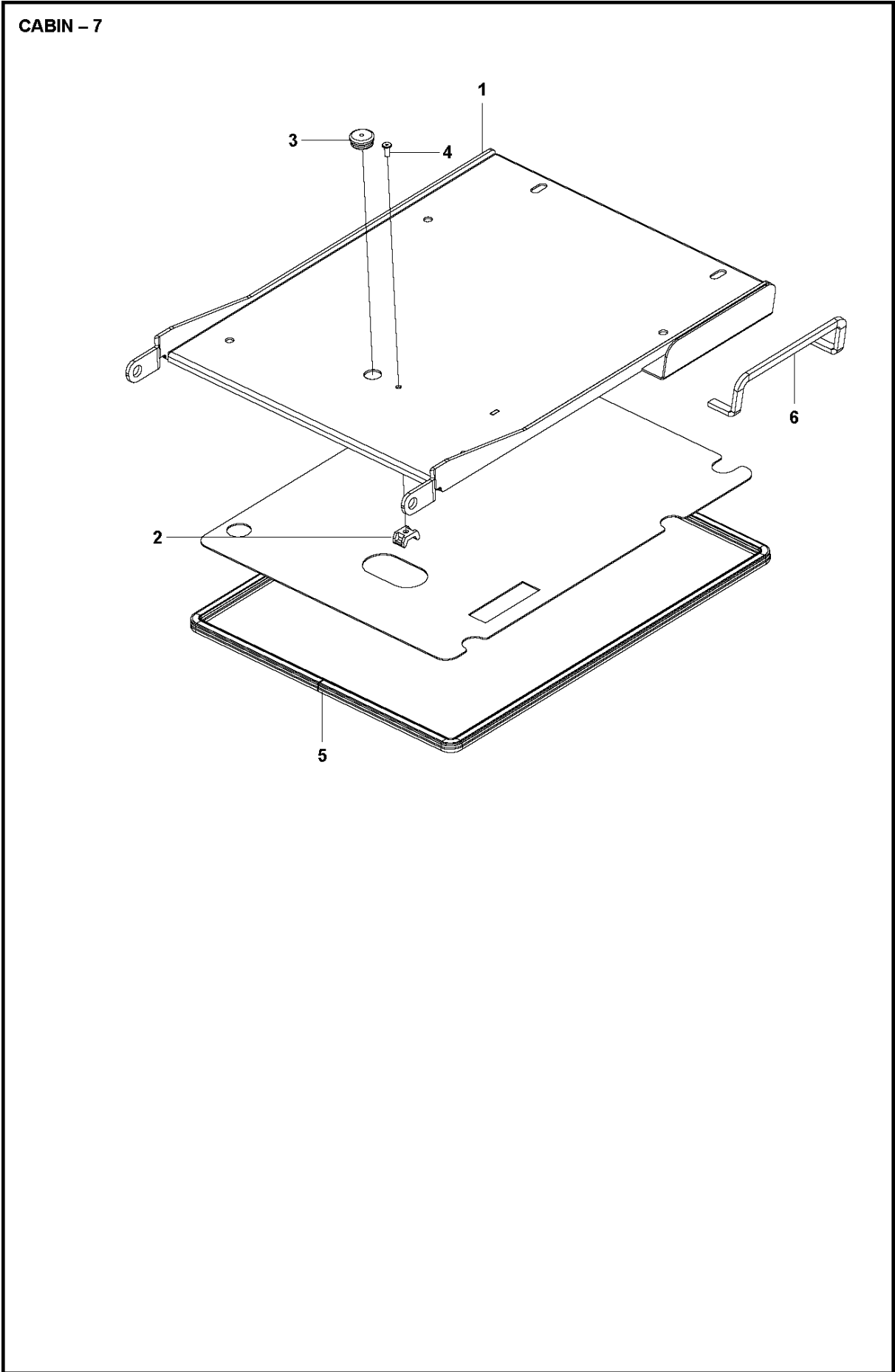


CABIN

P520 D with cabin

Ref	Part No	Description	Remark	QTY KIT
1	581 87 28-01	COVER		1
2	581 87 25-01	SCREW		8
3	581 87 26-01	CIRCLIP		8
4	581 87 29-01	SEAL		1
5	579 87 60-01	COVER		1
6	581 87 24-01	SEAL		1



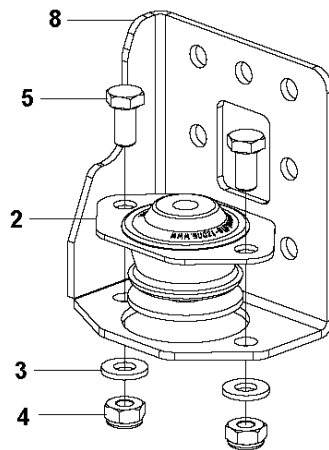
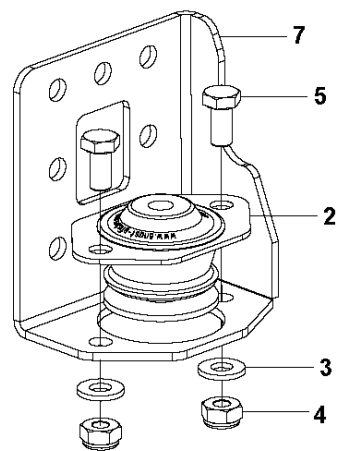
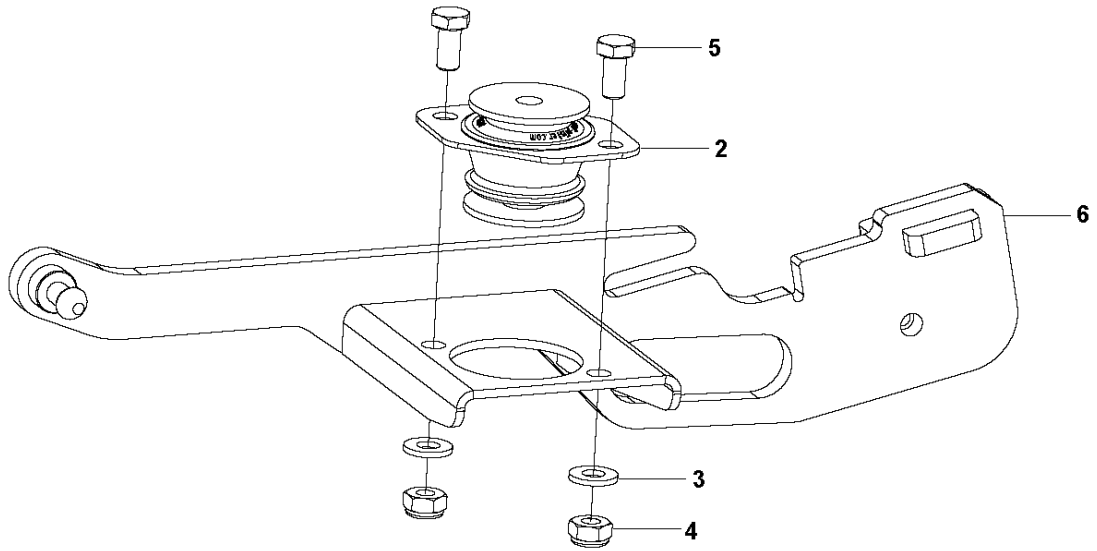
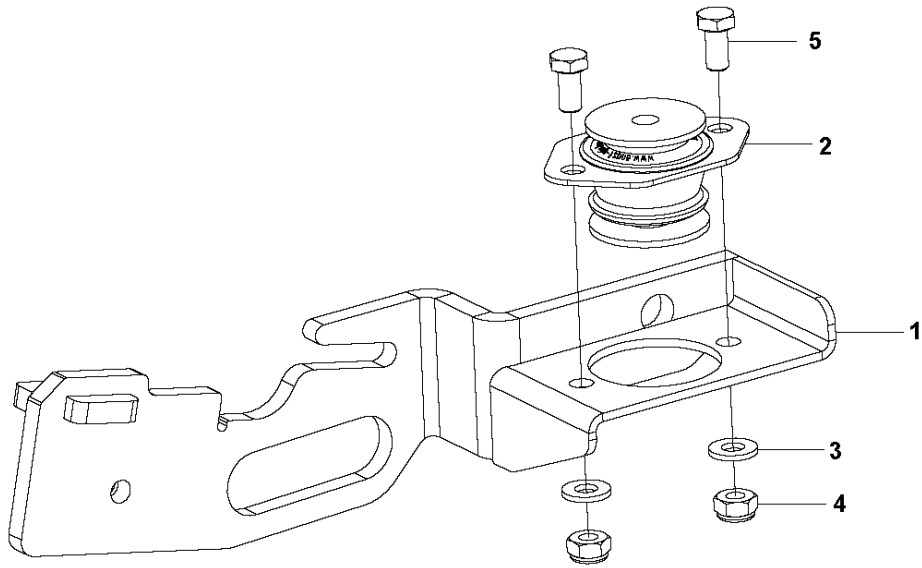


CABIN

P520 D with cabin

Ref	Part No	Description	Remark	QTY KIT
1	581 87 33-01	PLATE		1
2	579 86 76-01	BASE		1
3	579 86 77-01	RIVET		1
4	579 85 77-01	SEALING PLUG		1
5	581 87 34-01	SEAL		1
6	581 87 35-01	SEAL		1

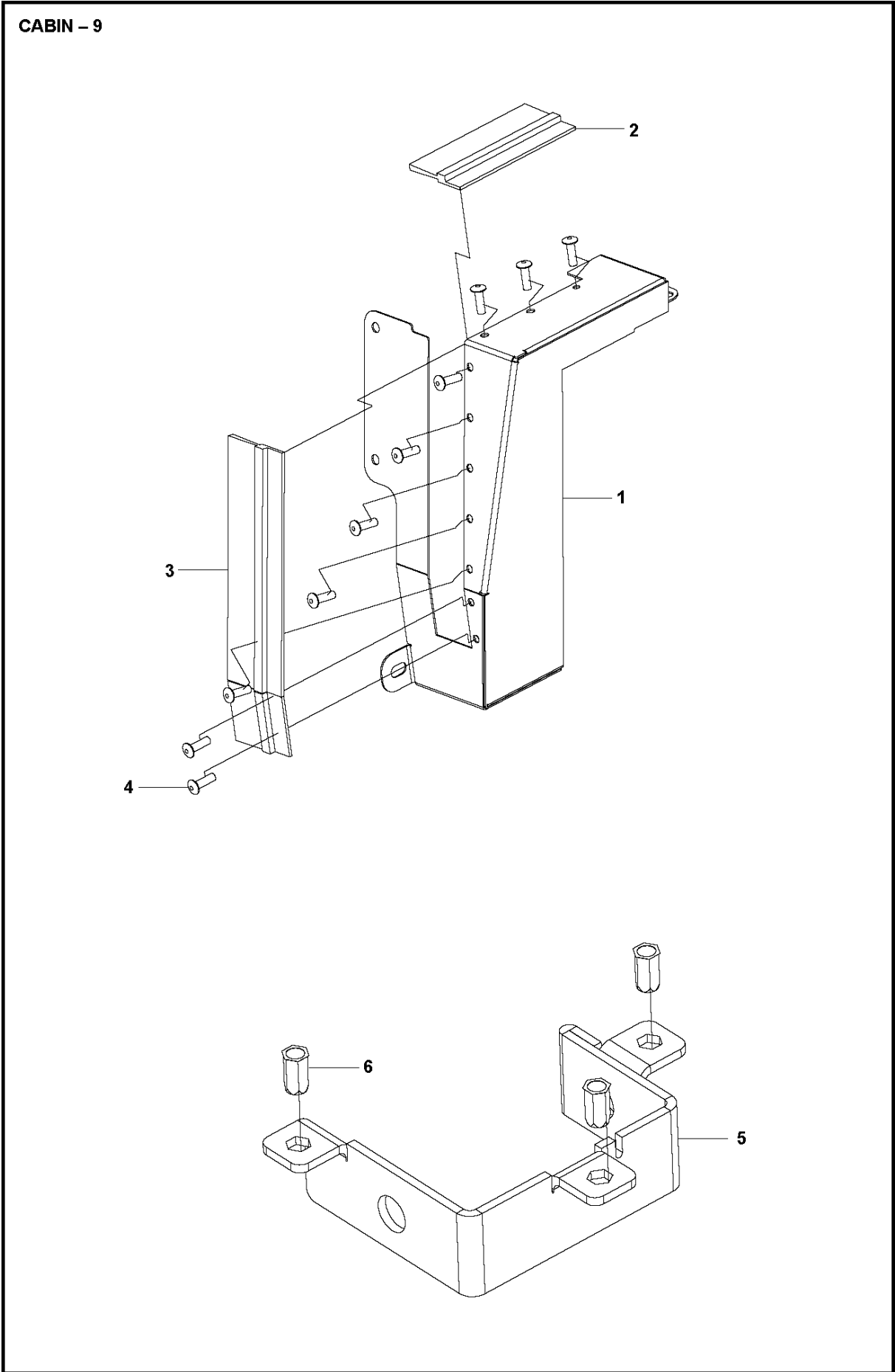
CABIN - 8



CABIN

P520 D with cabin

Ref	Part No	Description	Remark	QTY KIT
1	581 98 37-01	CONSOLE		1
2	581 98 29-01	BEARING		2
3	581 98 30-01	WASHER		4
4	581 98 31-01	SCREW		4
5	581 98 32-01	LOCK NUT		4
6	581 98 40-01	CONSOLE		1
7	581 98 27-01	CONSOLE		1
8	581 98 35-01	CONSOLE		1

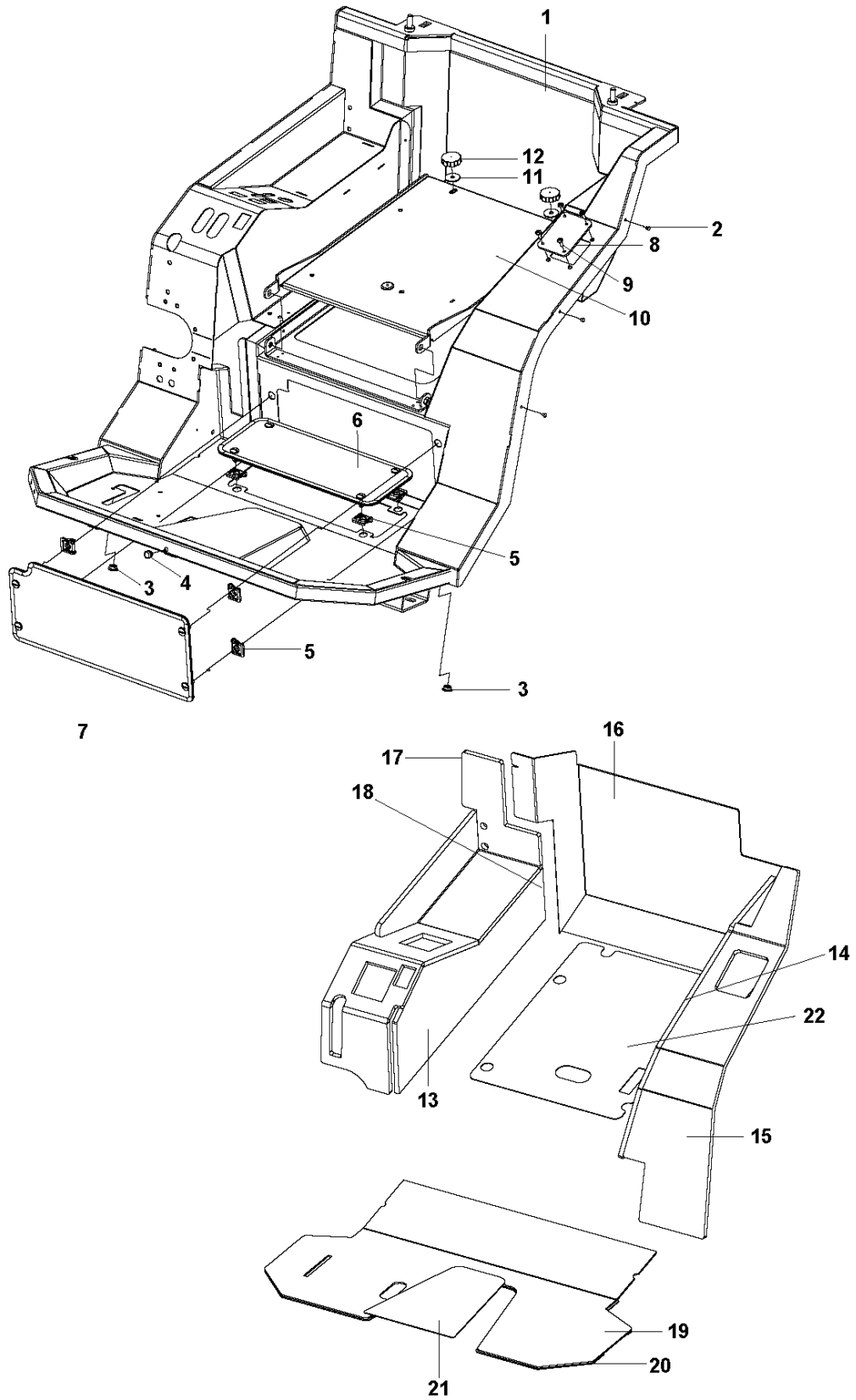


## CABIN

P520 D with cabin

Ref	Part No	Description	Remark	QTY KIT
1	581 98 56-01	COVER		1
2	581 98 55-01	BRUSH		1
3	581 98 53-01	BRUSH		1
4	581 98 52-01	RIVET NUT		10
5	581 98 62-01	BRACKET		1
6	581 98 63-01	RIVET NUT		3

CABIN - 10



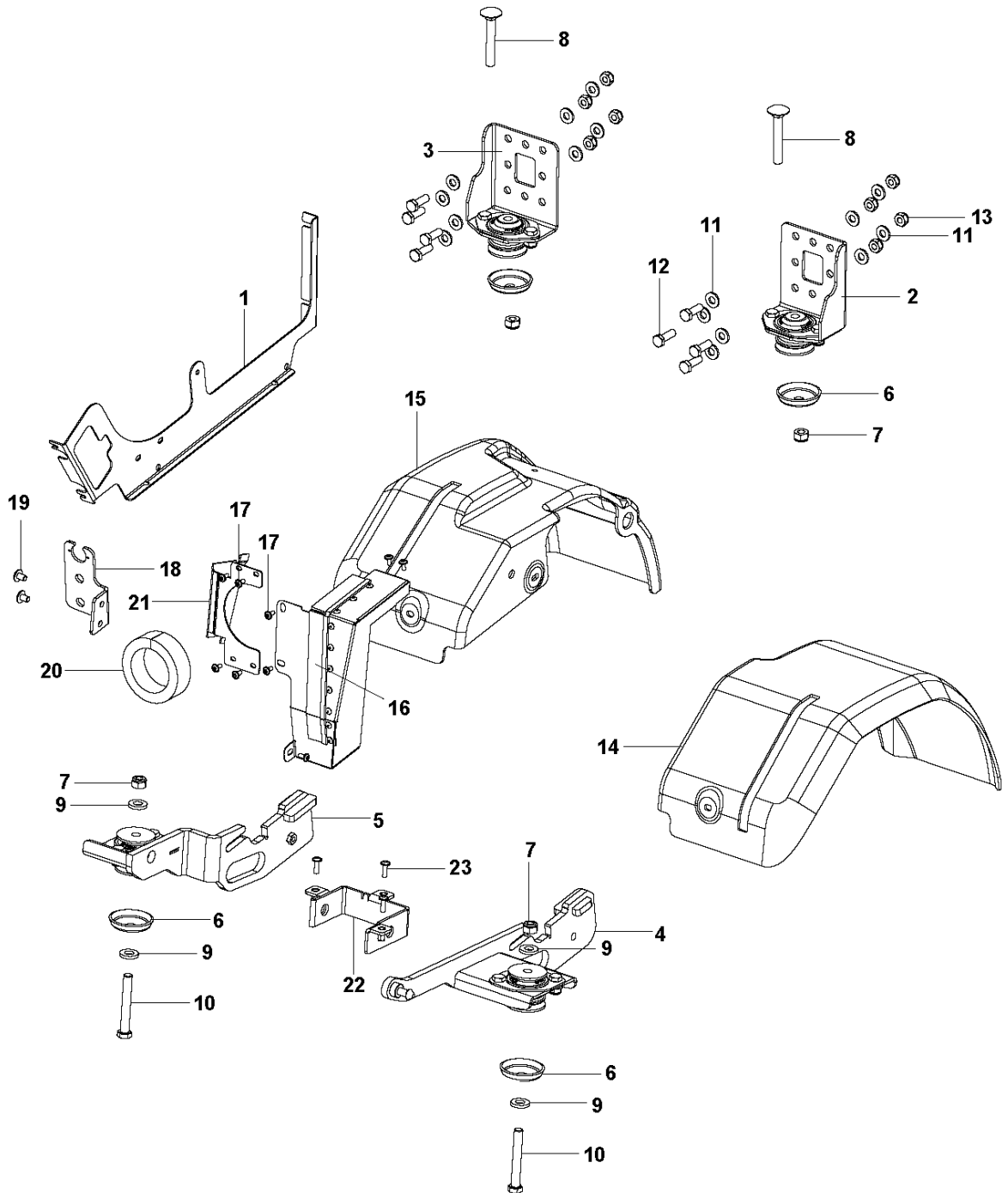
## CABIN

P520 D with cabin

Ref	Part No	Description	Remark	QTY KIT
1	581 98 68-01	PLATE		1
2	579 87 55-01	PLUG		3
3	579 87 56-01	PLUG		2
4	579 87 57-01	PLUG		1
5	579 87 58-01	SNAP LOCKING		8
6	579 87 59-01	COVER ASSY		1
7	581 87 27-01	COVER		1
8	581 87 30-01	WINDOW		1
9	581 87 31-01	SCREW		4
10	581 87 32-01	PLATE		1
11	579 87 03-01	WASHER		2
12	581 87 36-01	NUT		2
13	581 87 37-01	INSULATION		1
14	581 87 38-01	INSULATION		1
15	581 87 39-01	INSULATION		1
16	581 87 40-01	INSULATION		1
17	581 87 41-01	INSULATION		1
18	581 87 42-01	INSULATION		1
19	581 87 44-01	MAT		1
20	581 87 43-01	INSULATION		1
21	581 87 45-01	INSULATION		1
22	581 87 46-01	INSULATION		1



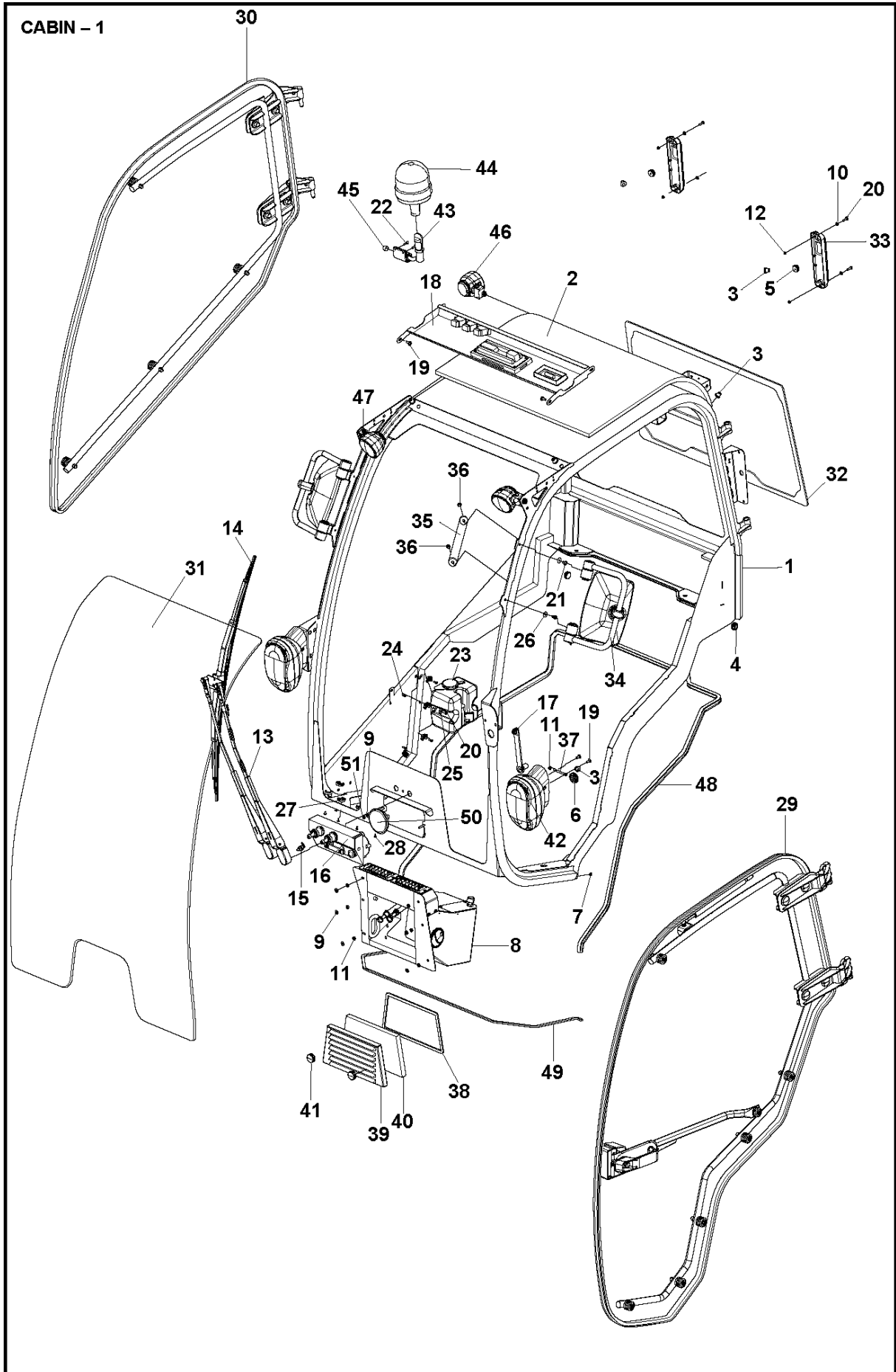
CABIN - 11



## CABIN

P520 D with cabin

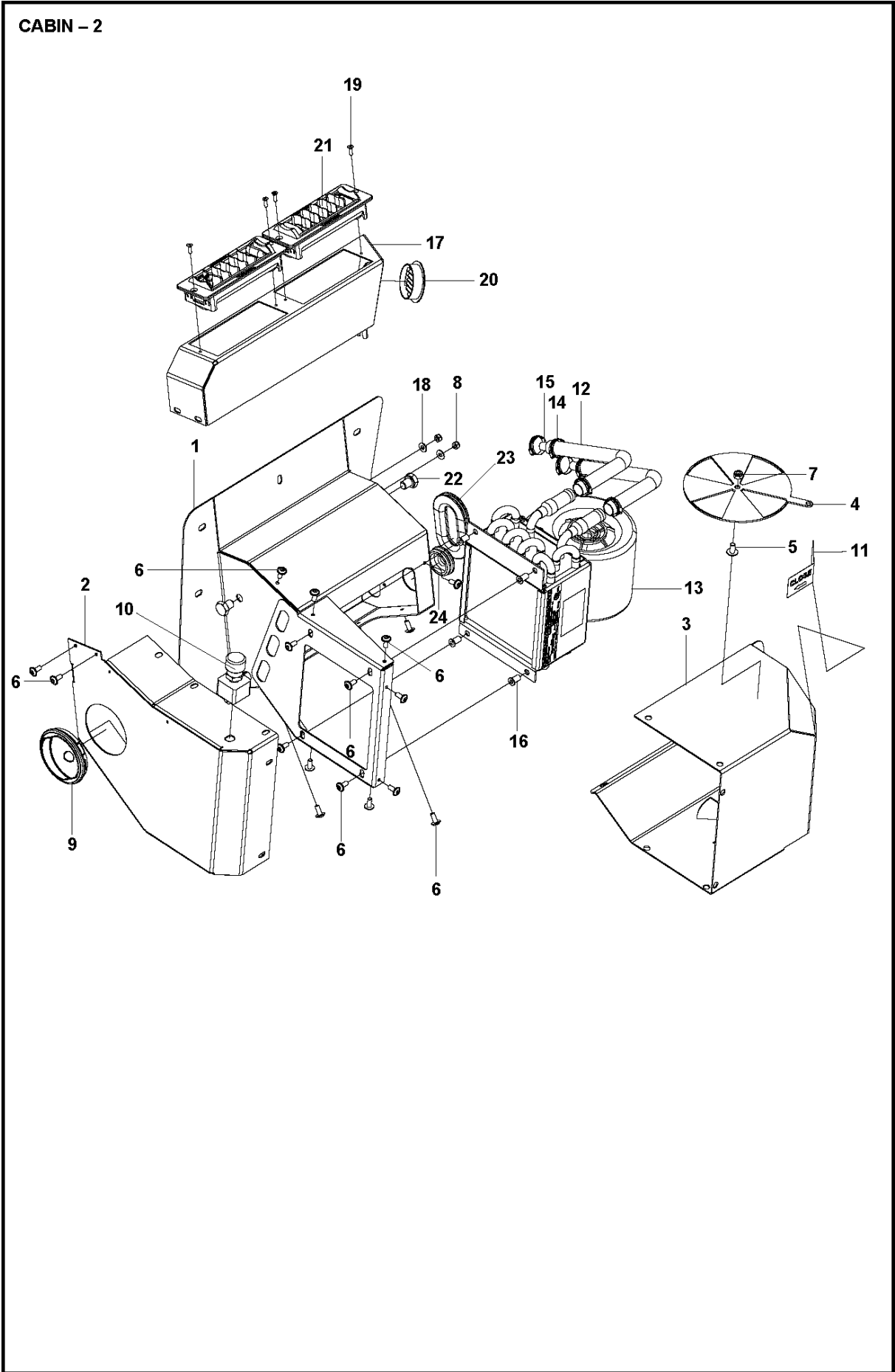
Ref	Part No	Description	Remark	QTY KIT
1	581 98 24-01	BRACKET		1
2	581 98 26-01	CONSOLE		1
3	581 98 34-01	CONSOLE		1
4	581 98 36-01	CONSOLE		1
5	581 98 38-01	CONSOLE		1
6	581 98 43-01	SUPPORT PLATE		4
7	581 98 44-01	LOCK NUT		4
8	581 98 45-01	SCREW		2
9	581 98 46-01	WASHER		4
10	581 98 47-01	SCREW		2
11	581 98 30-01	WASHER		20
12	581 98 48-01	SCREW		10
13	581 98 32-01	LOCK NUT		10
14	581 98 49-01	GUARD		1
15	581 98 50-01	GUARD		1
16	581 98 51-01	CONSOLE		1
17	579 85 88-01	SCREW		9
18	581 98 57-01	HOLDER		1
19	581 98 58-01	SCREW		2
20	581 98 59-01	SHIELD		1
21	581 98 60-01	COVER		1
22	581 98 61-01	BRACKET		1
23	531 11 95-89	SCREW		3



## CABIN

P520 D with cabin

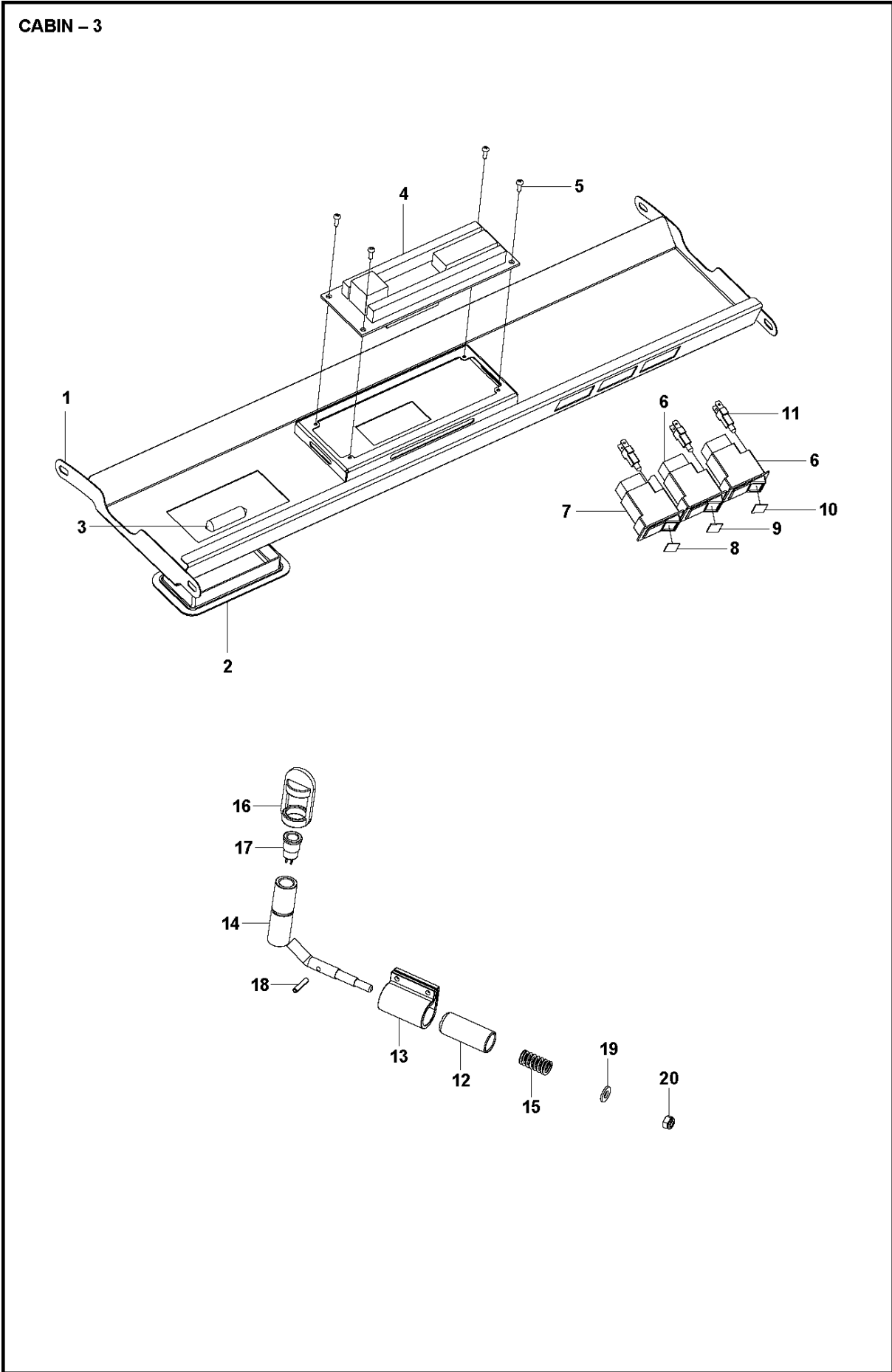
Ref	Part No	Description	Remark	QTY KIT
1	579 85 73-01	FRAME		1
2	579 85 74-01	INSULATION		1
3	579 85 75-01	GROMMET		7
4	579 85 76-01	SEALING PLUG		2
5	579 85 77-01	SEALING PLUG		2
6	579 85 78-01	PLUG		2
7	579 85 86-01	COVER		2
8	579 85 79-01	CONSOLE		1
9	579 86 10-01	WASHER		6
10	582 05 73-01	WASHER		2
11	732 21 16-01	LOCK NUT		8
12	732 21 14-01	LOCK NUT		4
13	501 94 86-01	ARM		1
14	501 95 51-01	SCRAPER		1
15	501 95 52-01	BUSHING		1
16	501 95 53-01	MOTOR		1
17	579 86 11-01	HINGE		1
18	579 86 27-01	PANEL		1
19	531 11 94-26	SCREW		8
20	579 86 39-01	SCREW		6
21	579 85 87-01	SCREW		4
22	579 86 41-01	SCREW		2
23	579 86 43-01	TANK		1
24	729 91 69-01	SCREW DVPAN		2
25	579 86 44-01	WASHER		2
26	579 86 45-01	WASHER		4
27	579 86 76-01	BASE		9
28	579 86 77-01	RIVET		9
29	579 86 78-01	DOOR		1
30	579 87 07-01	DOOR		1
31	501 95 54-01	SCREEN		1
32	501 95 57-01	WINDOW		1
33	501 95 58-01	LIGHT		2
34	502 07 31-01	REAR-VIEW MIRROR		2
35	501 96 21-01	HANDLE		1
36	579 87 18-01	SCREW		2
37	579 87 19-01	SCREW		2
38	579 87 21-01	SEAL		1
39	579 87 22-01	PLATE		1
40	579 87 23-01	AIR FILTER		1
41	579 87 30-01	NUT		2
42	501 96 22-01	HEADLIGHT		2
43	579 87 34-01	HOLDER		1
44	581 98 69-01	LIGHT		1
45	579 87 05-01	CAP		1
46	502 01 06-01	LIGHT		1
47	501 96 24-01	LIGHT		2
48	579 87 46-01	SEAL		1
49	579 87 47-01	SEAL		1
50	579 87 49-01	HORN		1
51	732 21 16-01	LOCK NUT		1



## CABIN

P520 D with cabin

Ref	Part No	Description	Remark	QTY KIT
1	579 85 80-01	COVER		1
2	579 85 81-01	HOUSING		1
3	579 85 82-01	NOZZLE		1
4	579 85 83-01	PLATE		1
5	579 85 87-01	SCREW		1
6	579 85 88-01	SCREW		17
7	732 21 16-01	LOCK NUT		1
8	732 21 14-01	LOCK NUT		2
9	579 85 89-01	NOZZLE		1
10	579 85 90-01	SWITCH		1
11	579 85 91-01	STICKER		1
12	579 85 92-01	HOSE		2
13	581 98 71-01	HEAT SINK		1
14	579 85 93-01	CLAMP		6
15	579 85 94-01	TUBE		2
16	579 85 95-01	RIVET		4
17	579 85 96-01	AIR DUCT		1
18	579 85 97-01	WASHER		2
19	579 85 98-01	SCREW		4
20	579 85 99-01	NOZZLE		1
21	579 86 00-01	NOZZLE		2
22	579 86 06-01	SCREW		2
23	579 86 07-01	PROTECTION		1
24	579 85 78-01	PLUG		1

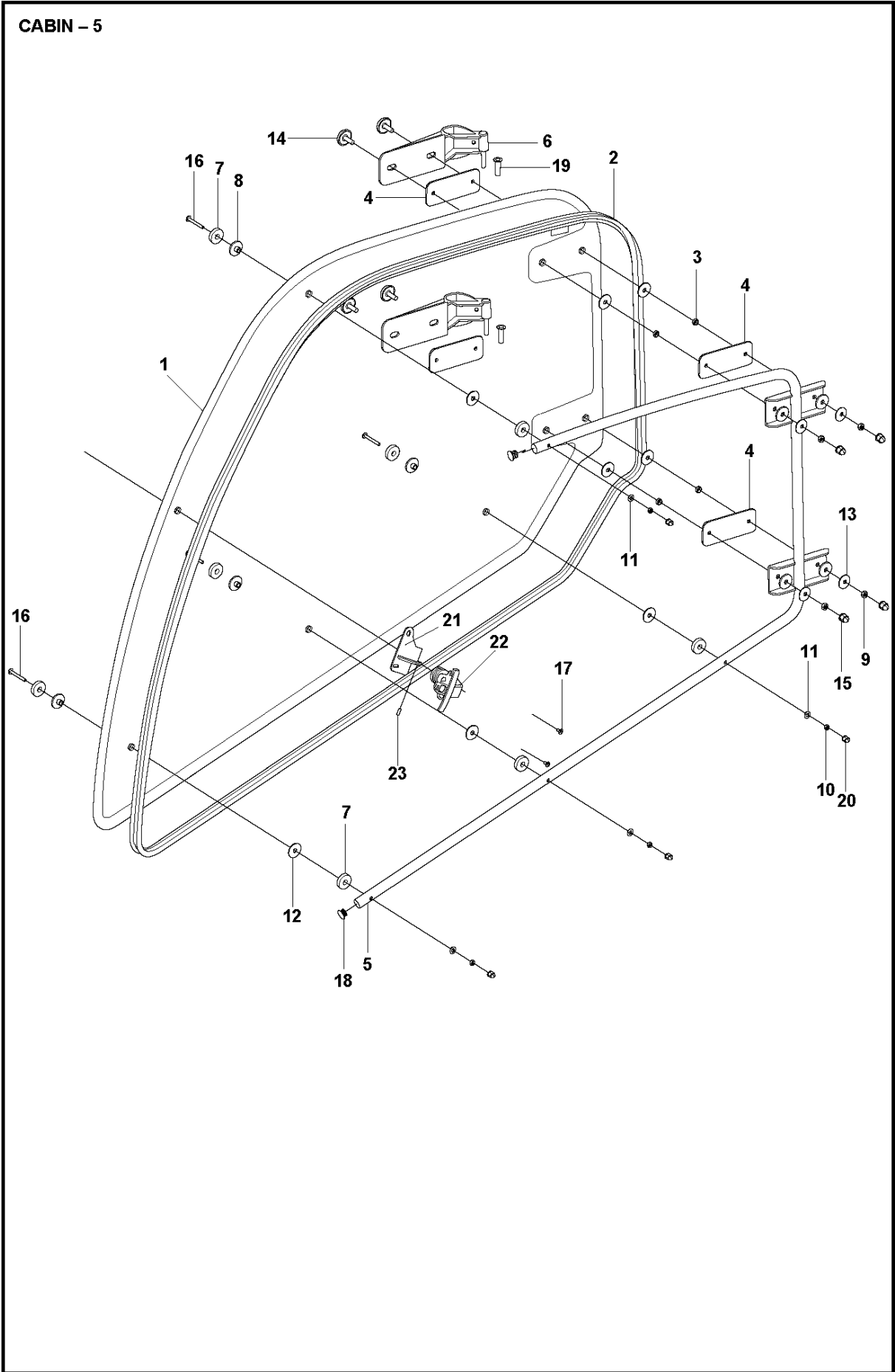


## CABIN

P520 D with cabin

Ref	Part No	Description	Remark	QTY KIT
1	579 86 28-01	PANEL		1
2	579 86 29-01	LIGHT		1
3	579 86 30-01	LAMP		1
4	580 87 16-01	CIRCUIT BOARD		1
5	579 86 32-01	SCREW		4
6	579 86 33-01	SWITCH		2
7	579 86 34-01	SWITCH		1
8	579 86 35-01	SYMBOL		1
9	579 86 36-01	SYMBOL		1
10	579 86 37-01	SYMBOL		1
11	579 86 38-01	HOLDER		3
12	579 87 35-01	SLEEVE		1
13	579 87 36-01	HOLDER		1
14	579 87 37-01	BASE		1
15	579 87 38-01	SPRING		1
16	579 87 40-01	COVER		1
17	579 87 41-01	SOCKET		1
18	579 87 42-01	CLAMPING SLEEVE		1
19	579 86 16-01	WASHER		1
20	522 91 94-01	LOCK NUT		1



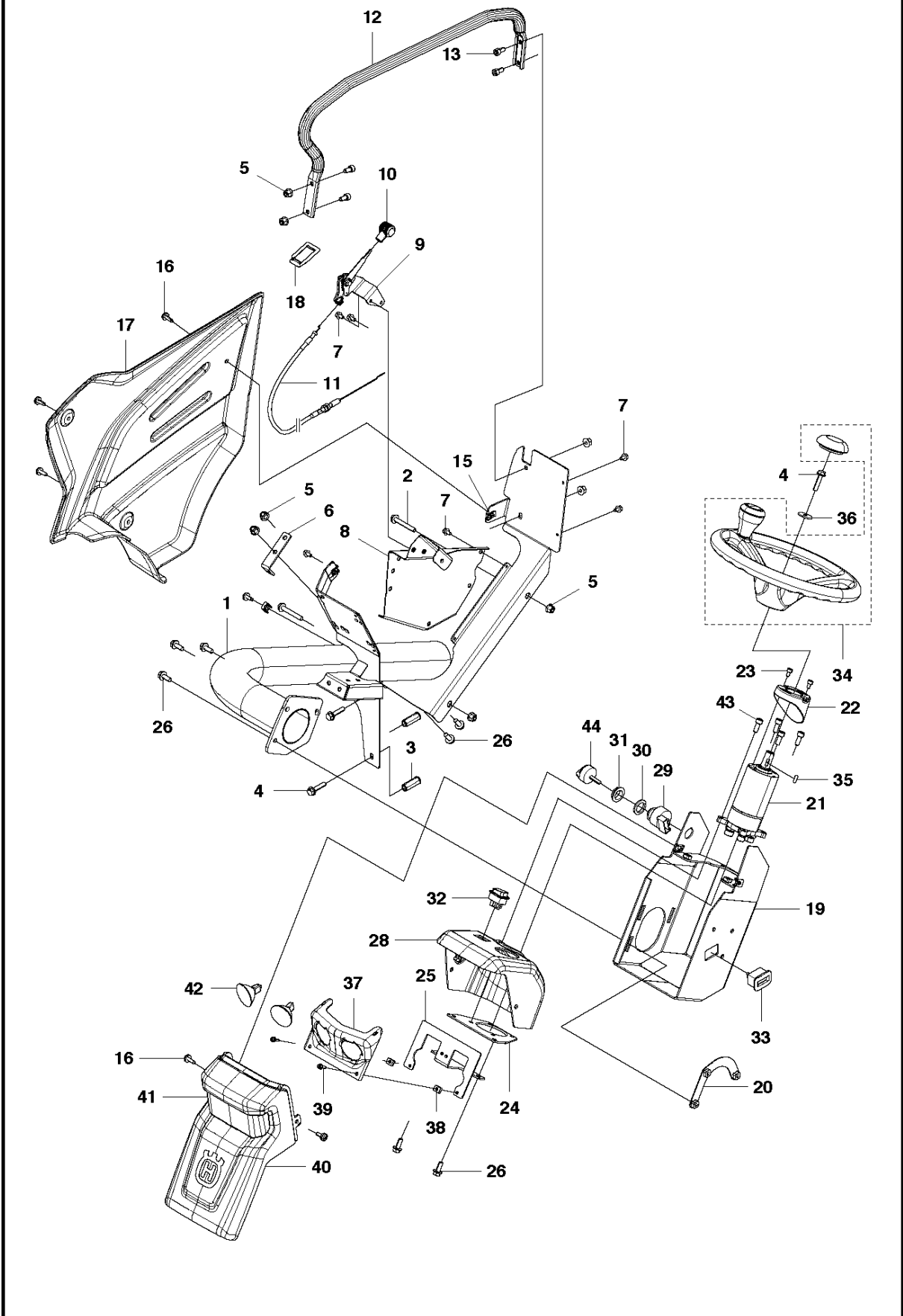


## CABIN

P520 D with cabin

Ref	Part No	Description	Remark	QTY KIT
1	501 99 95-01	DOOR		1
2	501 99 96-01	SEAL		1
3	579 86 96-01	DISTANCE		4
4	579 86 85-01	PAD		4
5	579 87 08-01	HANDLE ASSY		1
6	579 87 09-01	HINGE		2
7	579 86 90-01	DISC		8
8	579 86 98-01	DISC		5
9	522 91 94-01	LOCK NUT		5
10	732 21 16-01	LOCK NUT		4
11	579 86 10-01	WASHER		1
12	579 86 97-01	DISC		7
13	579 87 03-01	WASHER		5
14	579 86 99-01	DISC		4
15	579 87 05-01	CAP		4
16	579 87 15-01	SCREW		4
17	579 85 88-01	SCREW		2
18	579 87 14-01	SCREW		1
19	579 87 04-01	PLUG		2
20	579 87 10-01	BEARING		2
21	582 05 37-01	CONSOLE		1
22	580 89 08-01	DISTANCE		1
23	582 05 38-01	SOCKET		1

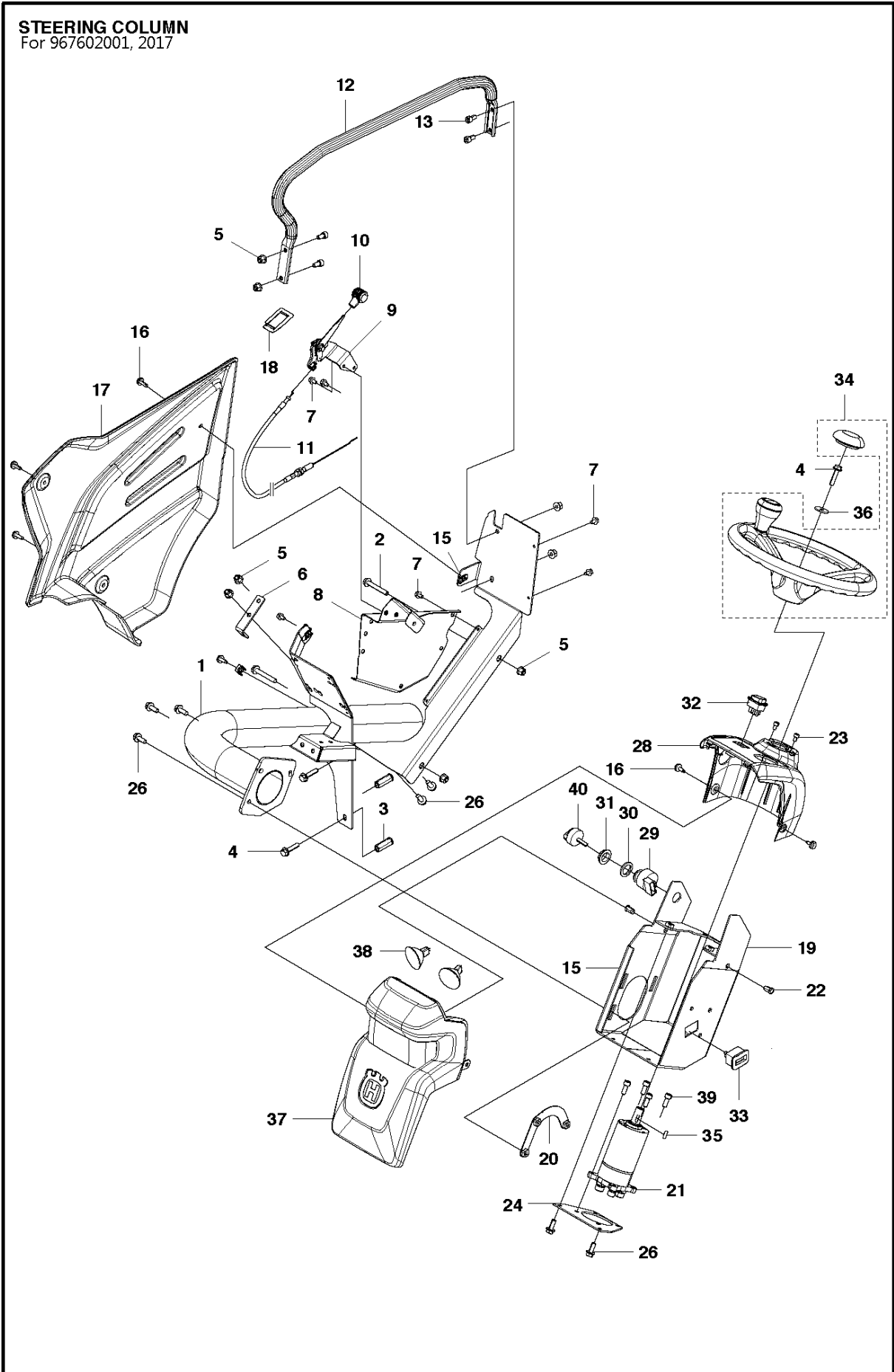
**STEERING COLUMN**  
For 967602001, 2016



## STEERING COLUMN

P520 D with cabin

Ref	Part No	Description	Remark	QTY KIT
1	588 45 68-01	CONSOLE		1
2	506 57 01-07	SCREW EHHFM		2
3	576 43 42-01	HEXAGON NUT		2
4	506 57 01-06	SCREW EHHFM		3
5	576 64 57-04	NUT FLANGE		8
6	581 99 56-01	BRACKET		1
7	725 23 64-61	SCREW EHHFT		5
8	576 25 62-01	BRACKET		1
9	576 80 68-01	THROTTLE CONTROL		1
10	506 88 91-01	KNOB		1
11	576 65 65-01	WIRE		1
12	588 05 79-01	HANDLE		1
13	725 54 51-01	SCREW IHSCM		4
15	535 42 91-01	SPRING NUT		5
16	574 85 62-02	SCREW		5
17	575 88 36-02	COVER		1
18	544 40 43-01	LOCKWASHER		1
19	576 54 51-01	BRACKET		1
20	576 44 43-01	SHEET		1
21	506 06 81-01	POWER STEERING		1
22	578 79 08-01	COVER		1
23	725 53 64-01	SCREW IHSCM		2
24	576 54 50-01	BRACKET		1
25	576 02 17-01	BRACKET		1
26	506 57 01-04	SCREW EHHFM		7
28	577 21 86-01	COVER		1
29	504 85 17-01	KEY SWITCH		1
30	535 47 50-01	WASHER		1
31	535 47 61-01	NUT		1
32	502 65 57-01	SWITCH		1
33	577 09 27-01	HOUR METER		1
34	544 29 14-01	STEERING WHEEL		1
35	735 88 12-00	WOODRUFF KEY		1
36	544 22 16-01	WASHER		1
37	535 46 42-01	LAMP BODY ASSY		1
38	506 89 20-01	SPEED NUT		2
39	535 41 56-19	SCREW		2
40	576 39 23-01	COVER		1
41	576 23 11-01	COVER		1
42	535 44 68-01	LAMP		2
43	725 54 49-01	SCREW IHSCM		4
44	535 47 60-01	IGNITION KEY		1



## STEERING COLUMN

P520 D with cabin

Ref	Part No	Description	Remark	QTY KIT
1	588 45 68-01	CONSOLE		1
2	506 57 01-07	SCREW EHHFM		2
3	576 43 42-01	HEXAGON NUT		2
4	506 57 01-06	SCREW EHHFM		3
5	576 64 57-04	NUT FLANGE		8
6	581 99 56-01	BRACKET		1
7	725 23 64-61	SCREW EHHFT		5
8	576 25 62-01	BRACKET		1
9	576 80 68-01	THROTTLE CONTROL		1
10	506 88 91-01	KNOB		1
11	576 65 65-01	WIRE		1
12	588 05 79-01	HANDLE		1
13	725 54 51-01	SCREW IHSCM		4
15	535 42 91-01	SPRING NUT		3
16	574 85 62-02	SCREW		5
17	575 88 36-02	COVER		1
18	544 40 43-01	LOCKWASHER		1
19	582 05 64-01	BRACKET		1
20	576 44 43-01	SHEET		1
21	589 65 12-01	POWER STEERING		1
22	506 91 62-04	NUT		2
23	522 55 73-01	SCREW		2
24	576 54 50-01	BRACKET		1
26	506 57 01-04	SCREW EHHFM		7
28	501 44 51-01	COVER		1
29	504 85 17-01	KEY SWITCH		1
30	535 47 50-01	WASHER		1
31	535 47 61-01	NUT		1
32	502 65 57-01	SWITCH		1
33	577 09 27-01	HOUR METER		1
34	544 29 14-01	STEERING WHEEL		1
35	735 88 12-00	WOODRUFF KEY		1
36	544 22 16-01	WASHER		1
37	501 44 50-01	COVER		1
38	535 44 68-01	LAMP		2
39	725 54 49-01	SCREW IHSCM		4
40	535 47 60-01	IGNITION KEY		1