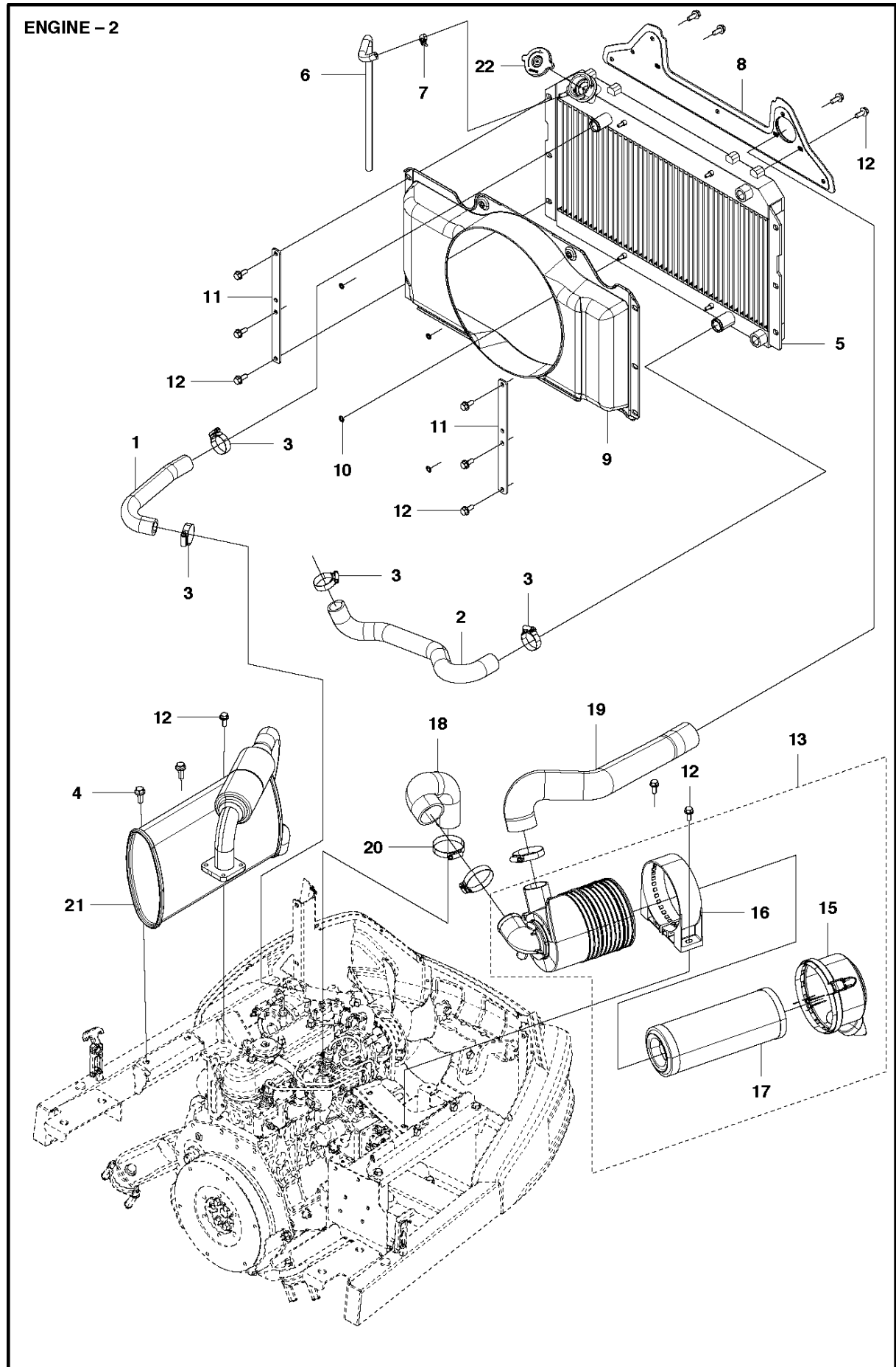




SPARE PARTS LIST

RIDERS

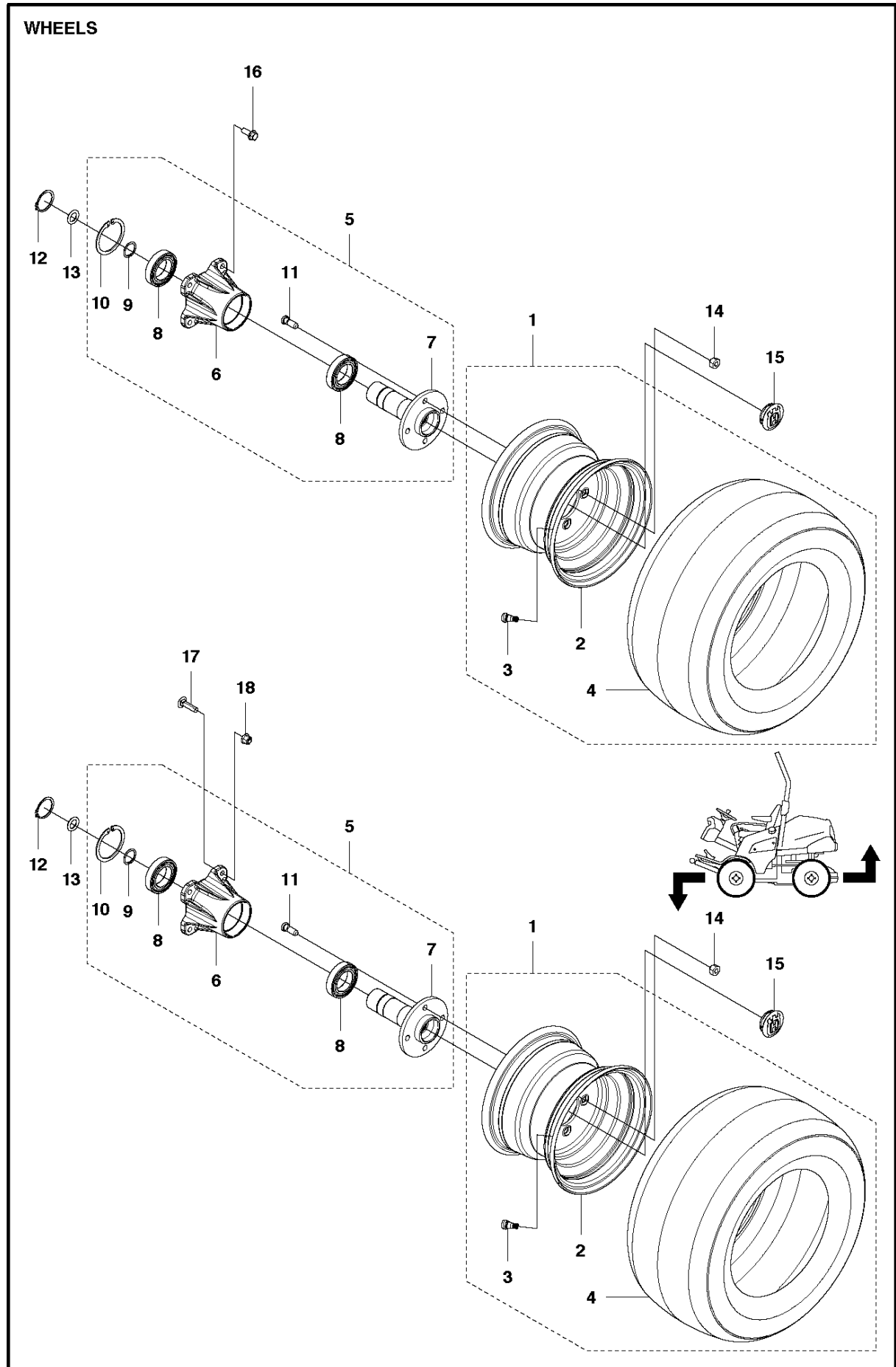
P525 D



ENGINE

P525 D

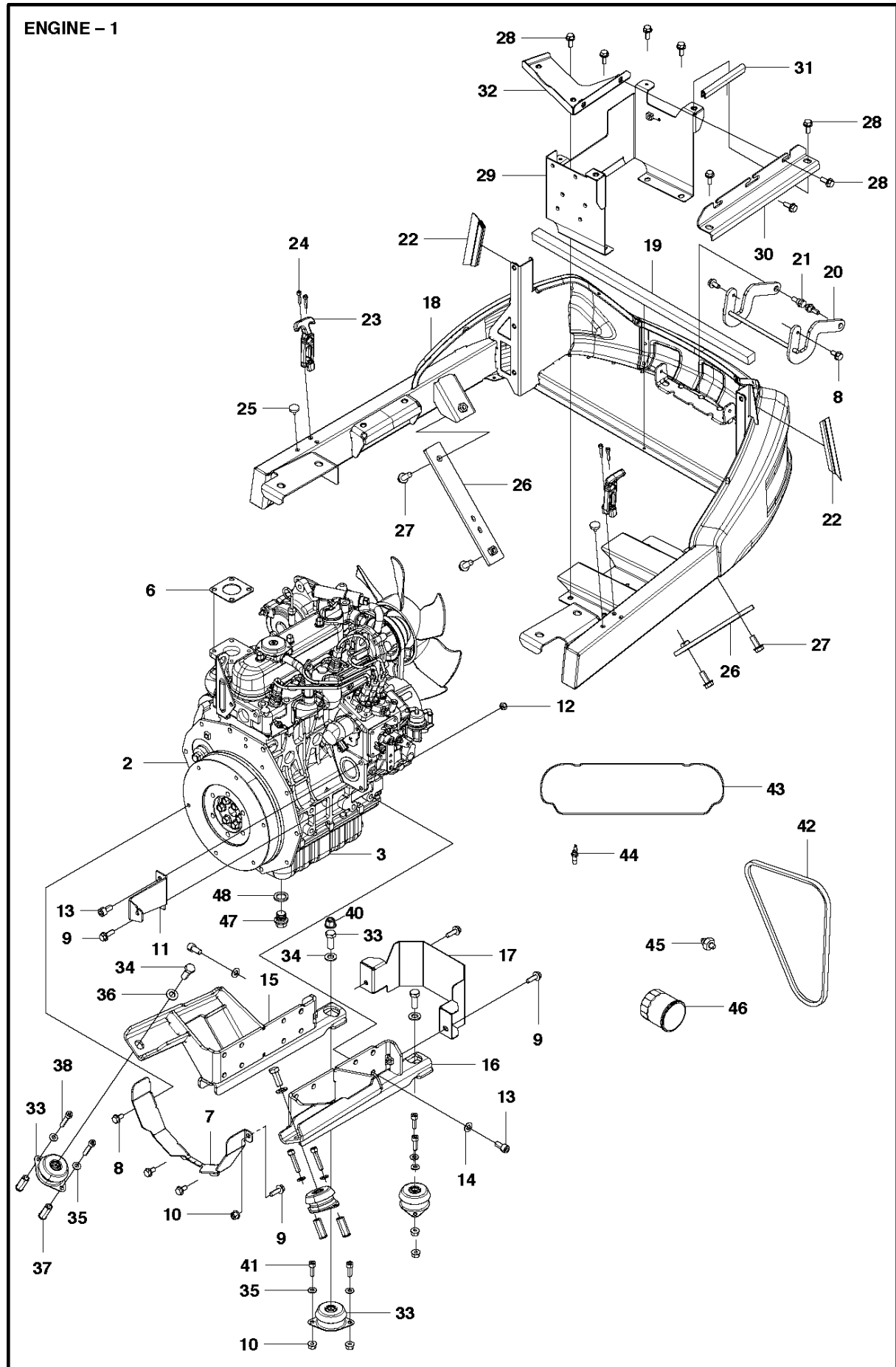
| Ref | Part No | Description | Remark | QTY | KIT |
|-----|--------------|-------------|--------|-----|-----|
| 1 | 578 93 60-01 | HOSE | | 1 | |
| 2 | 578 93 61-01 | HOSE | | 1 | |
| 3 | 544 20 27-02 | HOSE CLAMP | | 4 | |
| 4 | 506 67 54-01 | SCREW EHHFM | | 2 | |
| 5 | 579 41 63-01 | COOLER | | 1 | |
| 6 | 585 51 05-04 | FUEL HOSE | | 1 | |
| 7 | 544 28 26-05 | HOSE CLAMP | | 1 | |
| 8 | 579 58 20-01 | WALL | | 1 | |
| 9 | 578 93 62-01 | SHROUD | | 1 | |
| 10 | 506 96 36-01 | WASHER | | 4 | |
| 11 | 577 80 78-01 | PLATE | | 2 | |
| 12 | 506 57 01-04 | SCREW EHHFM | | 16 | |
| 13 | 579 15 63-01 | AIR CLEANER | | 1 | |
| 15 | 579 15 65-01 | AIR CLEANER | | 1 | 13 |
| 16 | 579 15 66-01 | AIR CLEANER | | 1 | 13 |
| 17 | 579 15 67-01 | AIR CLEANER | | 1 | 13 |
| 18 | 578 93 58-01 | HOSE | | 1 | |
| 19 | 578 93 59-01 | HOSE | | 1 | |
| 20 | 544 20 27-03 | HOSE CLAMP | | 3 | |
| 21 | 579 15 01-01 | MUFFLER | | 1 | |
| 22 | 577 09 35-01 | HUB CAP | | 1 | |



WHEELS & TIRES

P525 D

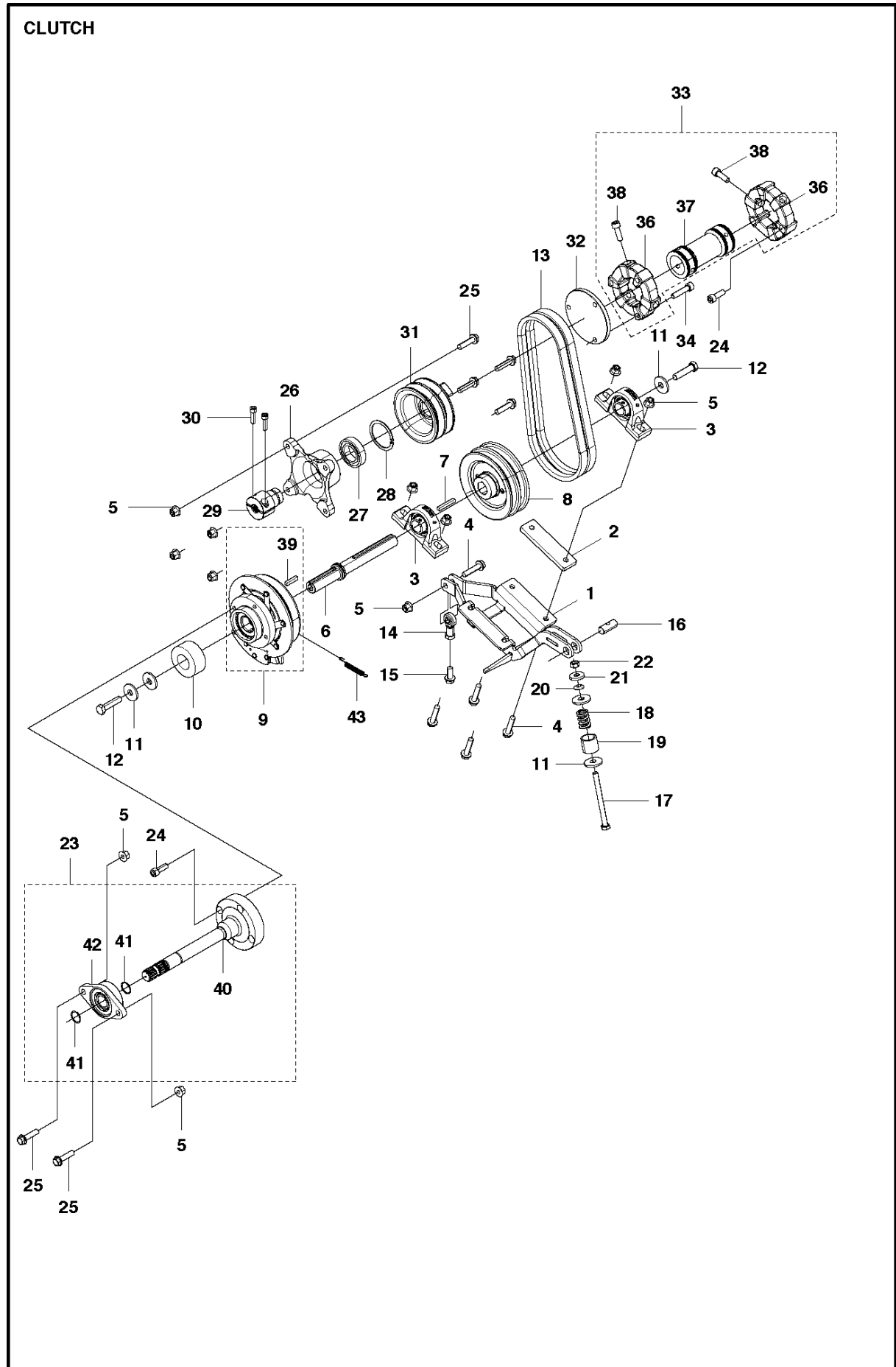
| Ref | Part No | Description | Remark | QTY | KIT |
|-----|--------------|------------------|--------|-----|-----|
| 1 | 580 76 93-01 | WHEEL ASSY | | 4 | |
| 2 | 580 76 94-01 | RIM | | 1 | 1 |
| 3 | 523 03 47-01 | VALVE | | 1 | 1 |
| 4 | 579 73 26-01 | TYRE | | 1 | 1 |
| 5 | 575 88 73-01 | HUB | | 4 | |
| 6 | 575 88 75-01 | BEARING HOUSING | | 1 | 5 |
| 7 | 575 88 76-01 | SHAFT | | 1 | 5 |
| 8 | 738 21 09-04 | BALL BEARING | | 2 | 5 |
| 9 | 576 12 77-01 | LOCK RING | | 1 | 5 |
| 10 | 576 12 76-01 | LOCK RING | | 1 | 5 |
| 11 | 506 89 02-01 | BOLT | | 4 | 5 |
| 12 | 735 31 31-10 | CIRCLIP | | 4 | |
| 13 | 576 12 78-01 | O-RING | | 4 | |
| 14 | 506 86 50-01 | WHEEL NUT | | 16 | |
| 15 | 506 86 48-01 | PROTECTIVE COVER | | 4 | |
| 16 | 506 67 54-01 | SCREW EHHFM | | 8 | |
| 17 | 727 64 99-51 | SCREW | | 8 | |
| 18 | 576 64 57-05 | NUT FLANGE | | 8 | |



ENGINE

P525 D

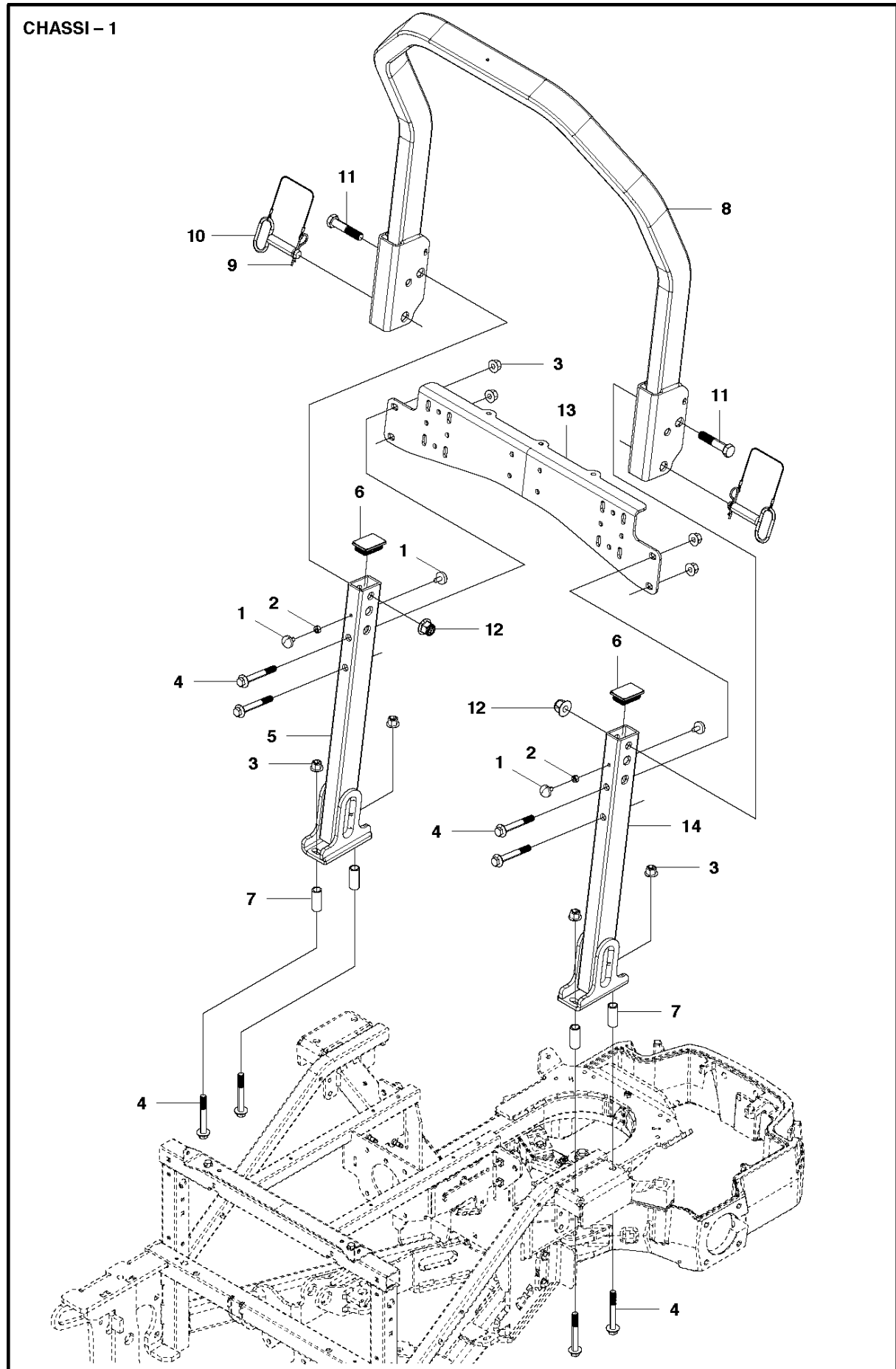
| Ref | Part No | Description | Remark | QTY KIT |
|-----|--------------|-----------------------|-----------------------------|---------|
| 2 | 579 54 36-01 | ENGINE | | 1 |
| 3 | 501 08 16-01 | ENGINE | Only the oil pan | 1 |
| 6 | 576 97 25-01 | GASKET | | 1 |
| 7 | 579 57 81-01 | PROTECTIVE PLATE | | 1 |
| 8 | 506 57 01-03 | SCREW EHHFM | | 5 |
| 9 | 506 57 01-05 | SCREW EHHFM | | 4 |
| 10 | 576 64 57-04 | NUT FLANGE | | 5 |
| 11 | 578 93 53-01 | BRACKET | | 1 |
| 12 | 732 21 18-01 | LOCK NUT | | 1 |
| 13 | 576 42 67-01 | SCREW IHSCM | | 17 |
| 14 | 734 11 72-01 | WASHER | | 16 |
| 15 | 588 98 62-01 | BRACKET | | 1 |
| 16 | 588 98 62-02 | BRACKET | | 1 |
| 17 | 579 40 58-01 | COVER | | 1 |
| 18 | 575 74 99-01 | ENGINE FRAME | | 1 |
| 19 | 576 99 04-04 | GASKET | | 1 |
| 20 | 576 46 45-01 | HINGE | | 1 |
| 21 | 506 59 74-01 | SCREW EHHFM | | 2 |
| 22 | 576 64 05-01 | SEALING STRIP | | 2 |
| 23 | 576 43 33-01 | LATCH | | 2 |
| 24 | 725 53 33-65 | SCREW IHSCM | | 4 |
| 25 | 579 48 85-01 | ANTIVIBRATION ELEMENT | | 2 |
| 26 | 579 16 13-01 | STAY | | 2 |
| 27 | 506 67 54-01 | SCREW EHHFM | | 4 |
| 28 | 506 57 01-04 | SCREW EHHFM | | 8 |
| 29 | 578 92 17-01 | SUPPORT | | 1 |
| 30 | 578 92 12-01 | BRACKET | | 1 |
| 31 | 578 31 03-02 | SEALING STRIP | | 1 |
| 32 | 578 92 14-01 | PLATE | | 1 |
| 33 | 587 44 83-01 | ANTIVIBRATION ELEMENT | | 4 |
| 34 | 725 25 36-71 | SCREW EHHM | | 4 |
| 35 | 734 11 64-01 | WASHER | | 8 |
| 36 | 734 11 78-01 | WASHER | | 4 |
| 37 | 576 43 42-01 | HEXAGON NUT | | 4 |
| 38 | 725 54 59-01 | SCREW IHSCM | | 4 |
| 40 | 576 64 57-06 | NUT FLANGE | For 967292401, 966607401 | 1 |
| 41 | 725 54 53-01 | SCREW IHSCM | | 4 |
| 42 | 578 00 99-02 | BELT | | 1 |
| 43 | 578 00 97-02 | GASKET | | 1 |
| 44 | 578 01 02-01 | SENSOR | | 1 |
| 45 | 578 01 03-01 | SWITCH | | 1 |
| 46 | 578 00 98-02 | OIL FILTER | | 1 |
| 47 | 578 00 95-02 | PLUG | | 1 |
| 48 | 578 00 96-02 | GASKET | | 1 |



CLUTCH

P525 D

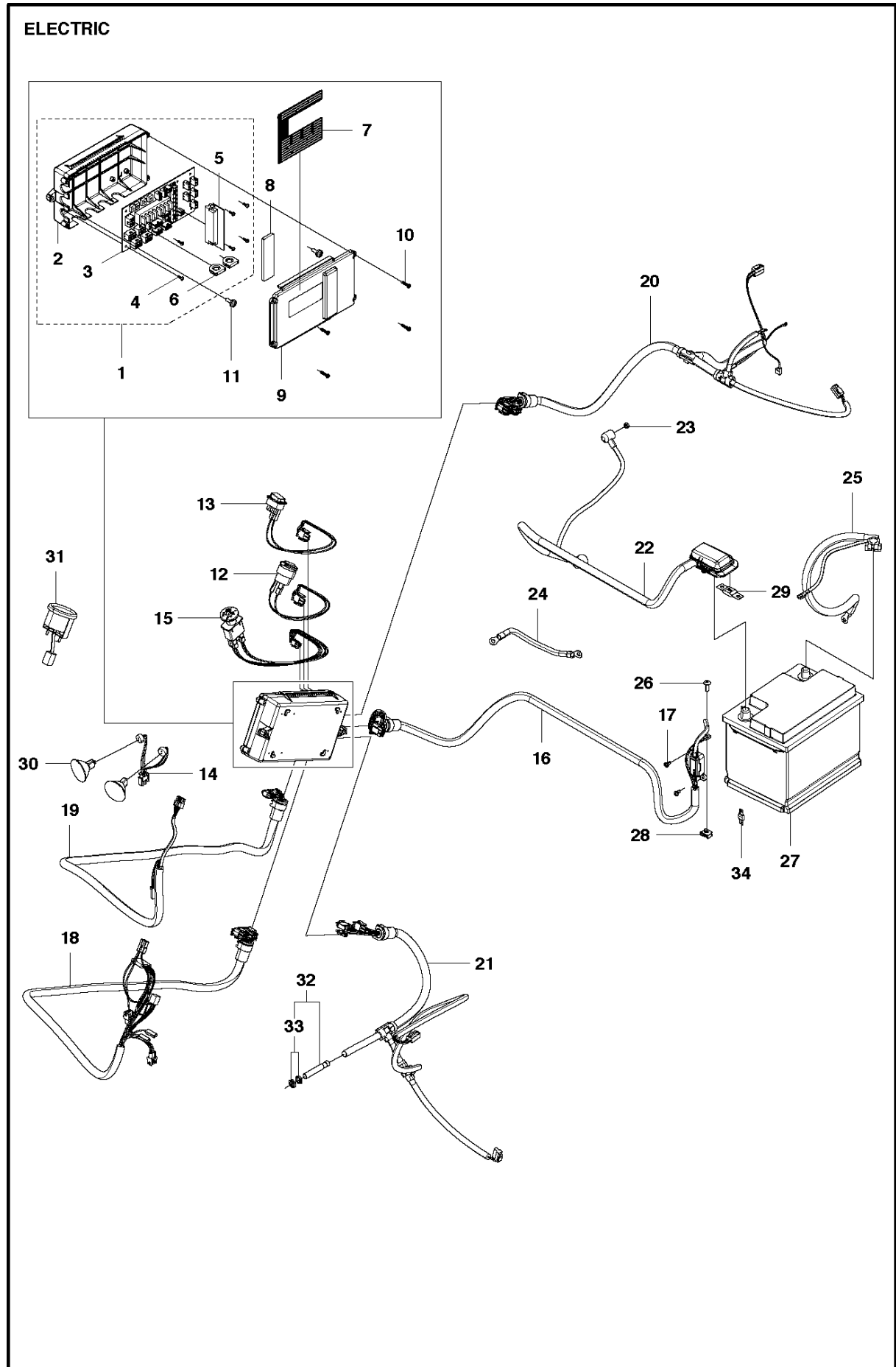
| Ref | Part No | Description | Remark | QTY KIT |
|-----|--------------|--------------|--------|---------|
| 1 | 576 18 60-01 | BEARING CAGE | | 1 |
| 2 | 510 14 60-01 | DISTANCE | | 1 |
| 3 | 506 04 36-01 | BEARING UNIT | | 2 |
| 4 | 506 67 54-03 | SCREW EHHFM | | 5 |
| 5 | 576 64 57-05 | NUT FLANGE | | 11 |
| 6 | 579 29 62-01 | SHAFT | | 1 |
| 7 | 504 81 35-01 | WEDGE | | 1 |
| 8 | 585 99 93-01 | PULLEY ASSY | | 1 |
| 9 | 586 94 37-01 | CLUTCH | | 1 |
| 10 | 589 52 39-01 | BEARING | CLUTCH | 1 |
| 11 | 535 42 92-01 | WASHER | | 5 |
| 12 | 725 25 42-85 | SCREW | | 2 |
| 13 | 589 53 95-01 | BELT | | 1 |
| 14 | 506 95 17-01 | ROD END | | 1 |
| 15 | 506 67 54-01 | SCREW EHHFM | | 1 |
| 16 | 510 16 76-01 | PEN | | 1 |
| 17 | 725 25 15-71 | SCREW EHHM | | 1 |
| 18 | 510 17 07-01 | SPRING | | 1 |
| 19 | 522 94 69-01 | SLEEVE | | 1 |
| 20 | 576 47 35-02 | WASHER | | 1 |
| 21 | 576 47 35-03 | WASHER | | 1 |
| 22 | 731 23 20-51 | HEXAGON NUT | | 1 |
| 23 | 576 99 38-01 | SHAFT ASSY | | 1 |
| 24 | 502 23 36-01 | SCREW IHSCM | | 4 |
| 25 | 506 67 54-02 | SCREW EHHFM | | 6 |
| 26 | 506 04 32-01 | BEARING CAGE | | 1 |
| 27 | 522 66 44-01 | BALL BEARING | | 1 |
| 28 | 522 66 43-01 | CIRCLIP | | 1 |
| 29 | 506 04 34-01 | SHAFT | | 1 |
| 30 | 725 54 55-01 | SCREW IHSCM | | 2 |
| 31 | 505 02 04-01 | PULLEY | | 1 |
| 32 | 515 98 35-01 | SPACER | | 1 |
| 33 | 515 98 32-02 | CLUTCH ASSY | | 1 |
| 34 | 502 23 36-02 | SCREW IHSCM | | 3 |
| 36 | 515 98 34-01 | RUBBER RING | | 2 |
| 37 | 515 98 33-02 | SHAFT | | 1 |
| 38 | 725 54 95-01 | SCREW IHSCM | | 6 |
| 39 | 580 28 45-01 | PARALLEL KEY | | 1 |
| 40 | 576 18 87-01 | SHAFT ASSY | | 1 |
| 41 | 576 47 36-01 | CLIP | | 2 |
| 42 | 544 19 10-01 | BEARING UNIT | | 1 |
| 43 | 506 83 43-01 | SPRING | | 1 |



CHASSIS / FRAME

P525 D

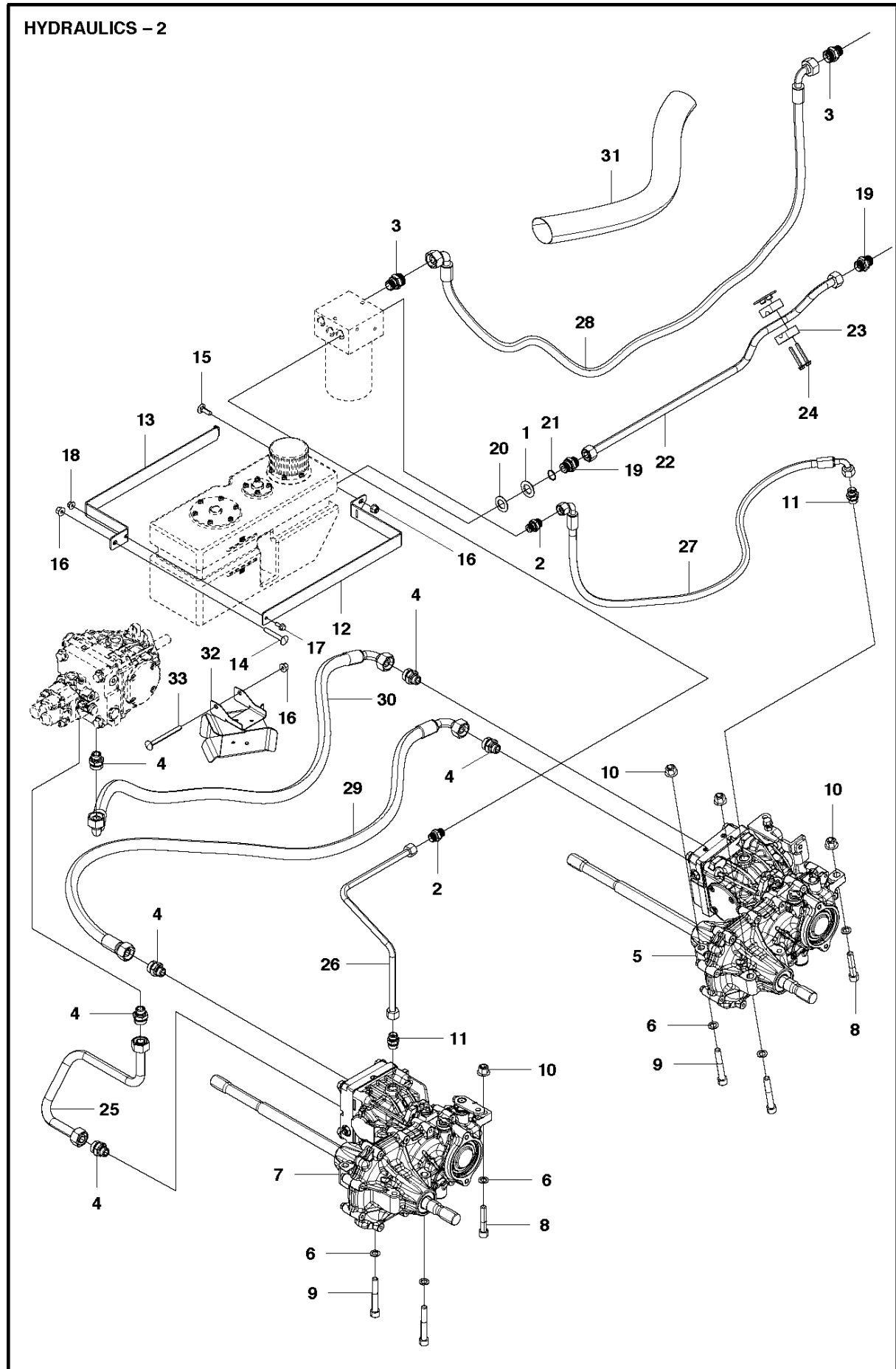
| Ref | Part No | Description | Remark | QTY KIT |
|-----|--------------|-----------------------|--------|---------|
| 1 | 501 97 66-01 | ANTIVIBRATION ELEMENT | | 4 |
| 2 | 731 23 18-01 | HEXAGON NUT | | 2 |
| 3 | 576 64 57-06 | NUT FLANGE | | 8 |
| 4 | 576 65 48-09 | SCREW EHHFM | | 8 |
| 5 | 576 12 38-02 | ROPS | | 1 |
| 6 | 577 66 81-01 | PLASTIC COVER | | 2 |
| 7 | 579 70 33-01 | TUBE SLEEVE | | 4 |
| 8 | 576 12 28-01 | ROPS | | 1 |
| 9 | 721 68 02-51 | SPRING COTTER | | 2 |
| 10 | 574 38 80-01 | PIN | | 2 |
| 11 | 577 41 16-01 | SCREW EHHM | | 2 |
| 12 | 577 41 19-01 | NUT FLANGE | | 2 |
| 13 | 577 40 61-01 | STIFFENING PLATE | | 1 |
| 14 | 576 12 38-01 | ROPS | | 1 |



ELECTRICAL

P525 D

| Ref | Part No | Description | Remark | QTY | KIT |
|-----|--------------|----------------|------------|-----|-----|
| 1 | 579 54 65-01 | ELECTRONIC BOX | | 1 | |
| 2 | 576 28 57-01 | ELECTRIC BOX | | 1 | 1 |
| 3 | 579 29 38-01 | CONTROL BOARD | | 1 | 1 |
| 4 | 535 13 03-10 | SCREW ITPANT | | 6 | 1 |
| 5 | 579 29 39-01 | CONTROL UNIT | | 1 | 1 |
| 6 | 544 38 15-01 | BUSHING | | 2 | 1 |
| 7 | 576 97 64-01 | DECAL | | 1 | |
| 8 | 577 57 42-01 | RUBBER | | 1 | |
| 9 | 576 28 58-01 | LID | | 1 | |
| 10 | 577 90 34-01 | SCREW CRPANT | | 4 | |
| 11 | 574 85 62-02 | SCREW | | 2 | |
| 12 | 576 46 83-01 | WIRING | 12v Socket | 1 | |
| 13 | 576 46 84-01 | SWITCH | | 1 | |
| 14 | 576 46 85-01 | WIRING | | 1 | |
| 15 | 576 46 86-01 | SWITCH | PTO switch | 1 | |
| 16 | 576 46 87-01 | WIRING | | 1 | |
| 17 | 544 29 13-02 | SCREW ITPANM | | 2 | |
| 18 | 576 46 88-01 | WIRING | | 1 | |
| 19 | 576 46 89-01 | WIRING | | 1 | |
| 20 | 579 05 88-01 | WIRING | | 1 | |
| 21 | 576 46 91-01 | WIRING | | 1 | |
| 22 | 576 47 20-01 | WIRING | | 1 | |
| 23 | 732 21 16-01 | LOCK NUT | | 1 | |
| 24 | 544 32 37-01 | GROUND CABLE | | 1 | |
| 25 | 577 43 20-01 | WIRING | | 1 | |
| 26 | 535 42 58-02 | SCREW IHANM | | 1 | |
| 27 | 576 95 82-01 | BATTERY | | 1 | |
| 28 | 535 42 91-01 | SPRING NUT | | 1 | |
| 29 | 544 36 96-01 | FUSE | 125A | 1 | |
| 30 | 582 21 42-01 | LAMP | LED | 2 | |
| 31 | 576 95 53-01 | GAUGE | Temp | 1 | |
| 32 | 522 61 25-01 | SENSOR | | 1 | |
| 33 | 522 61 76-01 | NUT | | 1 | 32 |
| 34 | 501 96 55-01 | FUSE | 50A | 1 | |

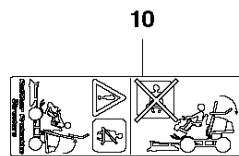
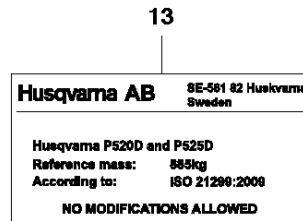
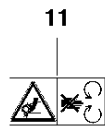
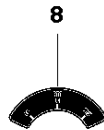
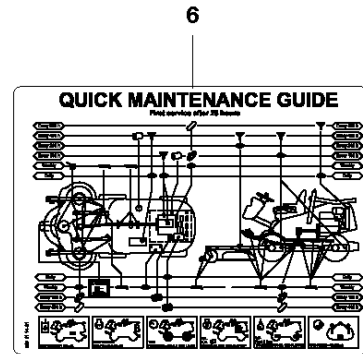
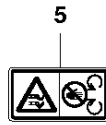
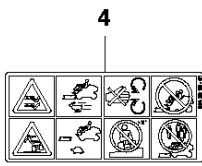
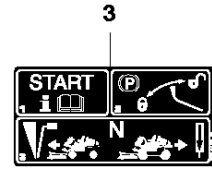


HYDRAULICS

P525 D

| Ref | Part No | Description | Remark | QTY KIT |
|-----|--------------|----------------|--------|---------|
| 1 | 506 77 57-01 | WASHER | | 1 |
| 2 | 575 88 13-04 | CONNECTOR | | 2 |
| 3 | 575 88 13-01 | CONNECTOR | | 2 |
| 4 | 575 88 14-01 | CONNECTOR | | 6 |
| 5 | 579 40 89-01 | TRANSMISSION | | 1 |
| 6 | 734 11 77-71 | WASHER | | 6 |
| 7 | 579 40 90-01 | TRANSMISSION | | 1 |
| 8 | 544 25 63-03 | SCREW IHSCM | | 4 |
| 9 | 544 25 63-01 | SCREW IHSCM | | 2 |
| 10 | 576 64 57-06 | NUT FLANGE | | 4 |
| 11 | 575 88 14-02 | CONNECTOR | | 2 |
| 12 | 575 87 12-01 | BRACKET | | 1 |
| 13 | 575 87 13-01 | BRACKET | | 1 |
| 14 | 535 42 38-02 | SCREW RSQM | | 1 |
| 15 | 535 42 38-01 | SCREW RSQM | | 1 |
| 16 | 576 64 57-04 | NUT FLANGE | | 3 |
| 17 | 725 23 68-51 | SCREW | | 1 |
| 18 | 576 64 57-03 | NUT FLANGE | | 1 |
| 19 | 575 88 13-03 | CONNECTOR | | 2 |
| 20 | 522 47 13-01 | WASHER | | 1 |
| 21 | 740 42 17-00 | O-RING | | 1 |
| 22 | 579 70 68-01 | HYDRAULIC PIPE | | 1 |
| 23 | 579 73 61-01 | PIPE CLAMP | | 1 |
| 24 | 535 47 52-45 | SCREW EHHFM | | 2 |
| 25 | 587 44 46-01 | HYDRAULIC HOSE | | 1 |
| 26 | 575 87 59-01 | HYDRAULIC PIPE | | 1 |
| 27 | 575 87 46-02 | HYDRAULIC HOSE | | 1 |
| 28 | 575 87 48-02 | HYDRAULIC HOSE | | 1 |
| 29 | 575 87 44-01 | HYDRAULIC HOSE | | 1 |
| 30 | 575 87 45-02 | HYDRAULIC HOSE | | 1 |
| 31 | 505 45 38-02 | HOSE GUARD | | 1 |
| 32 | 579 58 25-02 | TUBE | | 1 |
| 33 | 727 64 69-51 | SCREW RSQM | | 1 |

DECALS



P 525D — 14

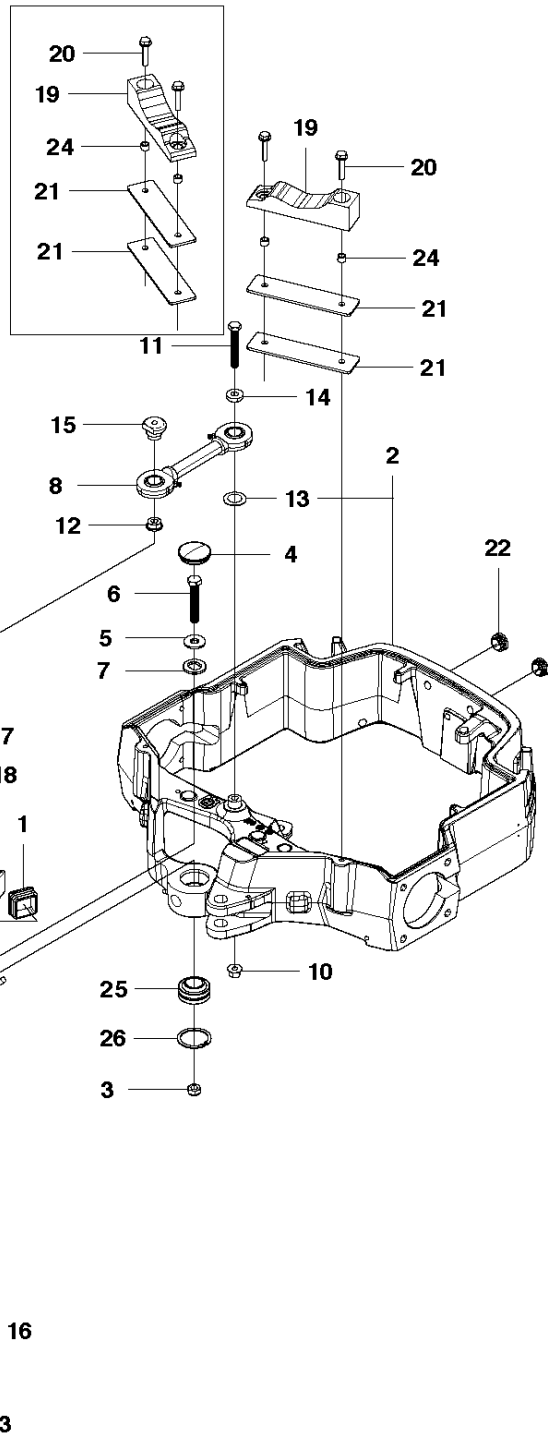
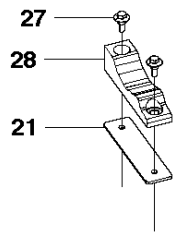
DECALS

P525 D

| Ref | Part No | Description | Remark | QTY KIT |
|-----|--------------|---------------|--------|---------|
| 1 | 581 78 40-11 | LABEL | | 1 |
| 2 | 506 58 45-01 | LABEL | | 1 |
| 3 | 522 44 63-01 | LABEL | | 1 |
| 4 | 544 39 16-01 | LABEL WARNING | | 1 |
| 5 | 574 51 00-01 | DECAL | | 2 |
| 6 | 587 11 14-01 | DECAL | | 1 |
| 8 | 576 97 60-01 | DECAL | | 1 |
| 9 | 505 51 66-01 | LABEL | | 1 |
| 10 | 521 93 90-01 | LABEL | | 1 |
| 11 | 580 71 28-01 | LABEL | | 1 |
| 12 | 580 71 29-01 | LABEL | | 2 |
| 13 | 580 76 44-01 | LABEL | | 1 |
| 14 | 579 55 81-01 | DECAL | | 2 |
| 15 | 577 46 90-01 | DECAL | | 1 |

CHASSI - 3

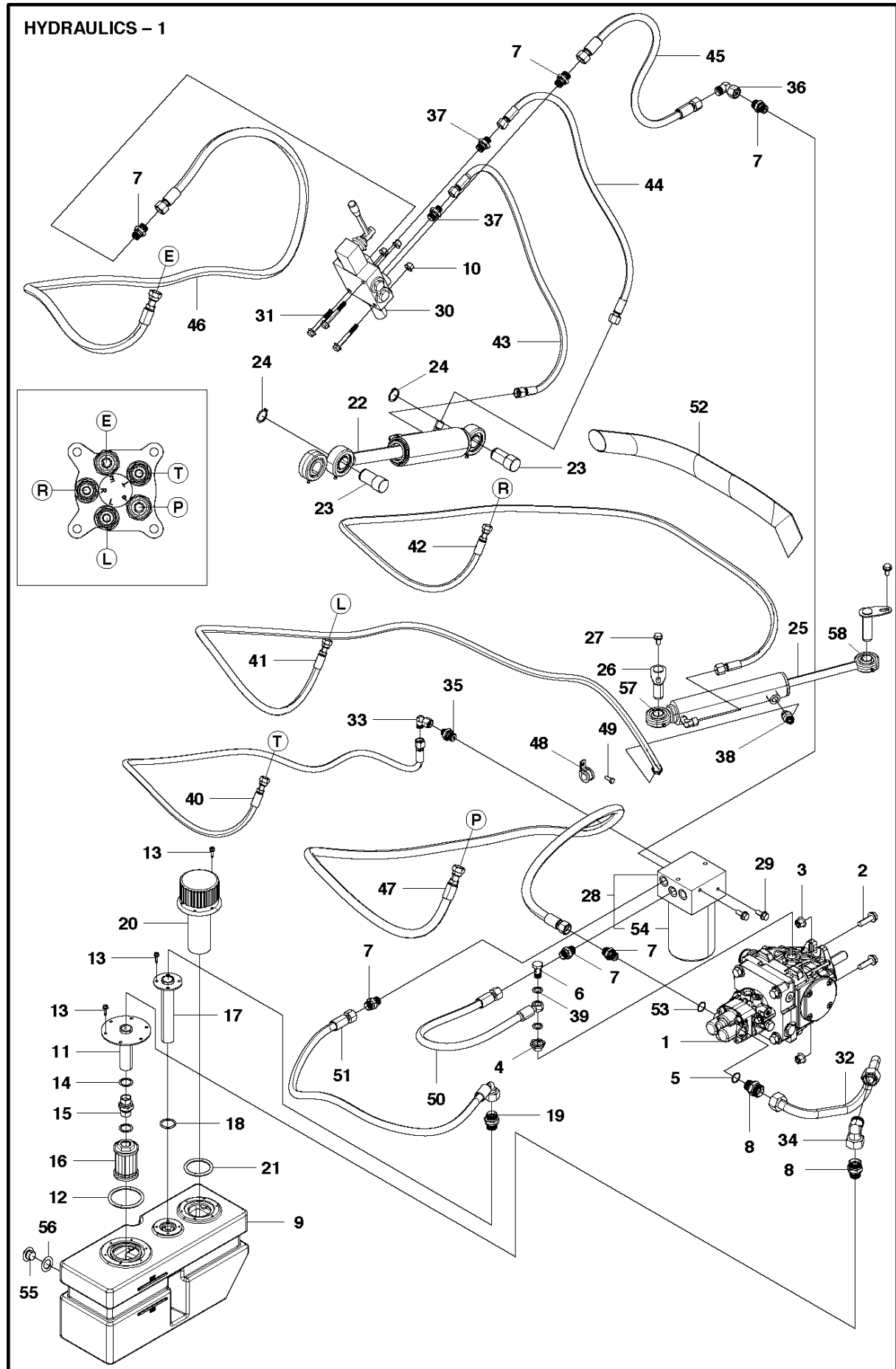
Replaced by



CHASSIS / FRAME

P525 D

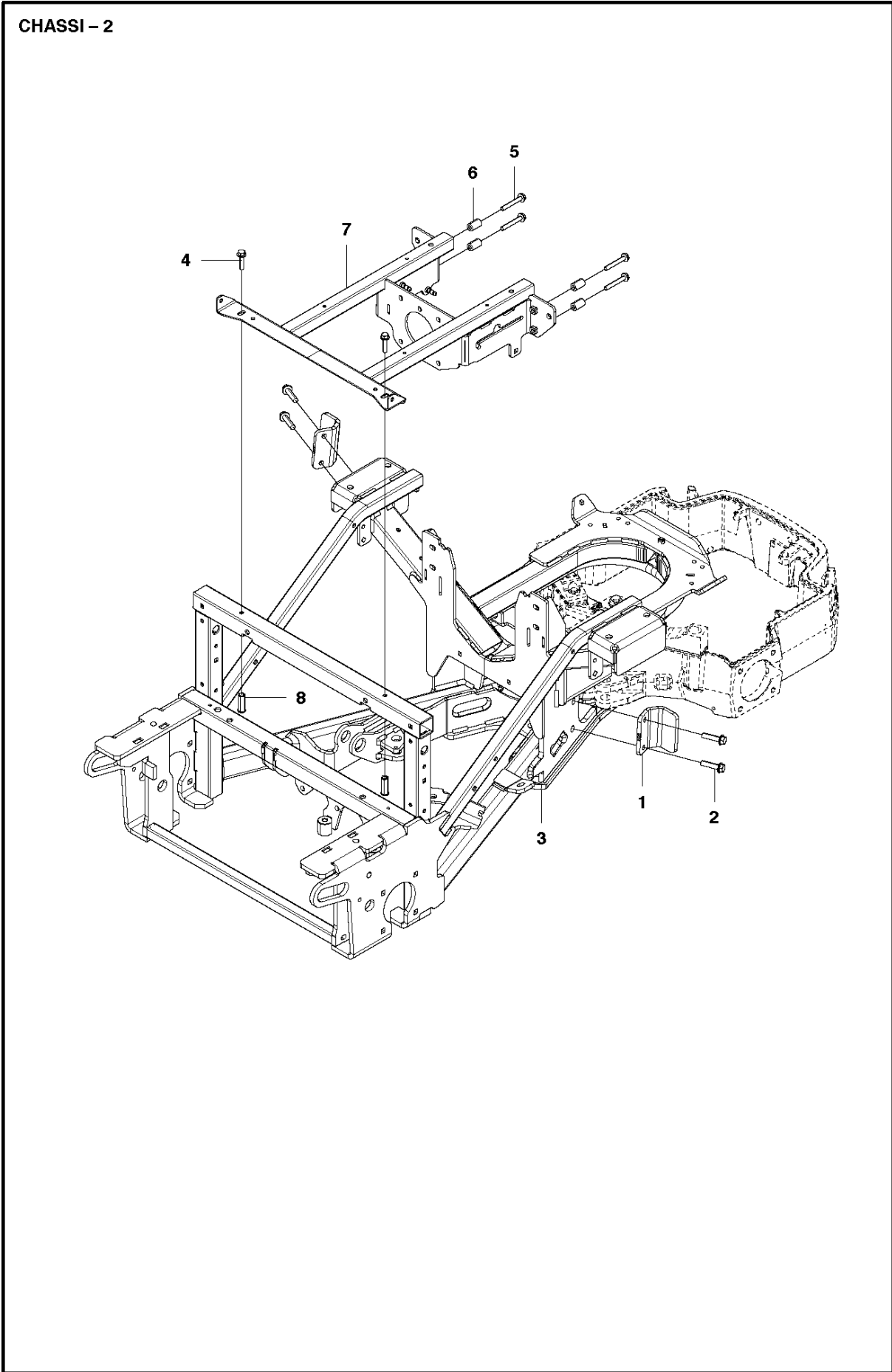
| Ref | Part No | Description | Remark | QTY KIT |
|-----|--------------|---------------------|-------------------------------------|---------|
| 1 | 544 25 41-01 | PLUG | | 2 |
| 2 | 584 63 07-01 | REPAIR KIT | | 1 |
| 3 | 732 25 22-01 | HEXAGON LOCKING NUT | | 1 |
| 4 | 581 82 83-01 | DUST COVER | | 1 |
| 5 | 577 61 45-01 | WASHER | | 1 |
| 6 | 576 65 48-07 | SCREW EHHFM | | 1 |
| 7 | 577 61 46-01 | FIXING WASHER | | 1 |
| 8 | 576 11 00-01 | LINK RODS | | 1 |
| 9 | 580 70 36-01 | SCREW EHHM | | 1 |
| 10 | 576 64 57-05 | NUT FLANGE | | 1 |
| 11 | 577 37 67-01 | SCREW EHHM | | 1 |
| 12 | 579 24 97-01 | PIVOT | | 1 |
| 13 | 583 86 12-01 | WASHER | | 1 |
| 14 | 578 24 64-01 | SLEEVE | | 1 |
| 15 | 579 49 05-01 | PIVOT | | 1 |
| 16 | 579 16 51-01 | TUBE | | 1 |
| 17 | 732 21 18-01 | LOCK NUT | | 1 |
| 18 | 579 41 60-01 | SLEEVE | | 1 |
| 19 | 579 59 54-01 | WEAR PLATE | | 2 |
| 20 | 506 57 01-06 | SCREW EHHFM | | 4 |
| 21 | 576 47 42-01 | PLATE | | 4 |
| 22 | 580 64 31-01 | INSERT | | 2 |
| 23 | 725 24 64-51 | SCREW EHHM | For 967847801, 967292401 - 2017 | 1 |
| 23 | 535 42 38-03 | SCREW RSQM | For 967292401 - 2015 & 966607401 | 1 |
| 24 | 580 72 30-01 | SLEEVE | | 1 |
| 25 | 576 27 17-01 | BEARING | | 1 |
| 26 | 576 46 80-01 | LOCK RING | | 1 |
| 27 | 544 36 24-01 | SCREW | | 4 |
| 28 | 585 56 30-02 | WEAR PLATE | | 2 |



HYDRAULICS

P525 D

| Ref | Part No | Description | Remark | QTY | KIT |
|-----|--------------|---------------------|---------------------|-----|-----|
| 1 | 579 40 88-01 | HYDRAULIC PUMP | | 1 | |
| 2 | 506 67 54-08 | COLLAR SCREW | | 2 | |
| 3 | 576 64 57-05 | NUT FLANGE | | 3 | |
| 4 | 575 88 65-01 | PIPE FITTING | | 1 | |
| 5 | 740 42 17-00 | O-RING | | 1 | |
| 6 | 575 88 64-01 | BOLT | | 1 | |
| 7 | 575 88 13-04 | CONNECTOR | | 6 | |
| 8 | 575 88 13-01 | CONNECTOR | | 2 | |
| 9 | 576 95 96-01 | HYDRAULIC TANK ASSY | | 1 | |
| 10 | 576 64 57-04 | NUT FLANGE | | 3 | |
| 11 | 575 87 08-01 | PIPE | | 1 | |
| 12 | 544 04 65-05 | O-RING | | 1 | |
| 13 | 535 41 56-19 | SCREW | | 16 | |
| 14 | 544 01 00-01 | GASKET | | 2 | |
| 15 | 544 00 97-01 | PIPE FITTING | | 1 | |
| 16 | 544 00 19-01 | FILTER | | 1 | |
| 17 | 575 87 09-01 | PIPE | | 1 | |
| 18 | 544 04 65-06 | O-RING | | 1 | |
| 19 | 575 88 13-03 | CONNECTOR | | 1 | |
| 20 | 544 17 64-01 | TANK CAP | | 1 | |
| 21 | 544 04 65-03 | O-RING | | 1 | |
| 22 | 579 43 81-01 | HYDRAULIC CYLINDER | | 1 | |
| 23 | 576 30 85-01 | COTTER | | 2 | |
| 24 | 735 31 26-00 | CIRCLIP | | 2 | |
| 25 | 579 44 14-01 | HYDRAULIC CYLINDER | | 1 | |
| 26 | 576 28 64-01 | SHAFT ASSY | | 2 | |
| 27 | 506 57 01-03 | SCREW EHHFM | | 2 | |
| 28 | 588 13 00-01 | FILTER UNIT | | 1 | |
| 29 | 506 57 01-04 | SCREW EHHFM | | 2 | |
| 30 | 575 88 66-01 | VALVE | | 1 | |
| 31 | 506 57 01-08 | SCREW EHHFM | | 3 | |
| 32 | 579 27 00-01 | HYDRAULIC PIPE | | 1 | |
| 33 | 575 88 15-01 | CONNECTOR | | 1 | |
| 34 | 575 88 15-02 | CONNECTOR | | 1 | |
| 35 | 575 88 13-02 | CONNECTOR | | 2 | |
| 36 | 575 88 15-03 | CONNECTOR | | 1 | |
| 37 | 576 44 40-01 | PIPE FITTING | | 1 | |
| 38 | 579 73 76-01 | PIPE FITTING | | 1 | |
| 39 | 544 01 00-04 | GASKET | | 2 | |
| 40 | 575 87 50-02 | HYDRAULIC HOSE | | 1 | |
| 41 | 575 87 52-01 | HYDRAULIC HOSE | | 1 | |
| 42 | 575 87 53-02 | HYDRAULIC HOSE | | 1 | |
| 43 | 575 87 56-01 | HYDRAULIC HOSE | | 1 | |
| 44 | 575 87 55-01 | HYDRAULIC HOSE | | 1 | |
| 45 | 575 87 58-01 | HYDRAULIC HOSE | | 1 | |
| 46 | 575 87 54-01 | HYDRAULIC HOSE | | 1 | |
| 47 | 575 87 51-01 | HYDRAULIC HOSE | | 1 | |
| 48 | 574 53 12-03 | HOSE CLAMP | | 1 | |
| 49 | 725 23 64-61 | SCREW EHHFT | | 1 | |
| 50 | 575 87 47-01 | HYDRAULIC HOSE | | 1 | |
| 51 | 576 63 21-02 | HYDRAULIC HOSE | | 1 | |
| 52 | 505 45 38-04 | HOSE GUARD | | 1 | |
| 53 | 740 42 13-00 | O-RING | | 1 | |
| 54 | 588 15 59-01 | FILTER | | 1 | 28 |
| 55 | 522 47 12-01 | OIL PLUG | | 1 | |
| 56 | 522 47 13-01 | WASHER | | 1 | |
| 57 | 586 97 85-01 | BEARING | | 1 | |
| 58 | 595 87 85-01 | SERVICE KIT | Bearing and circlip | 1 | |

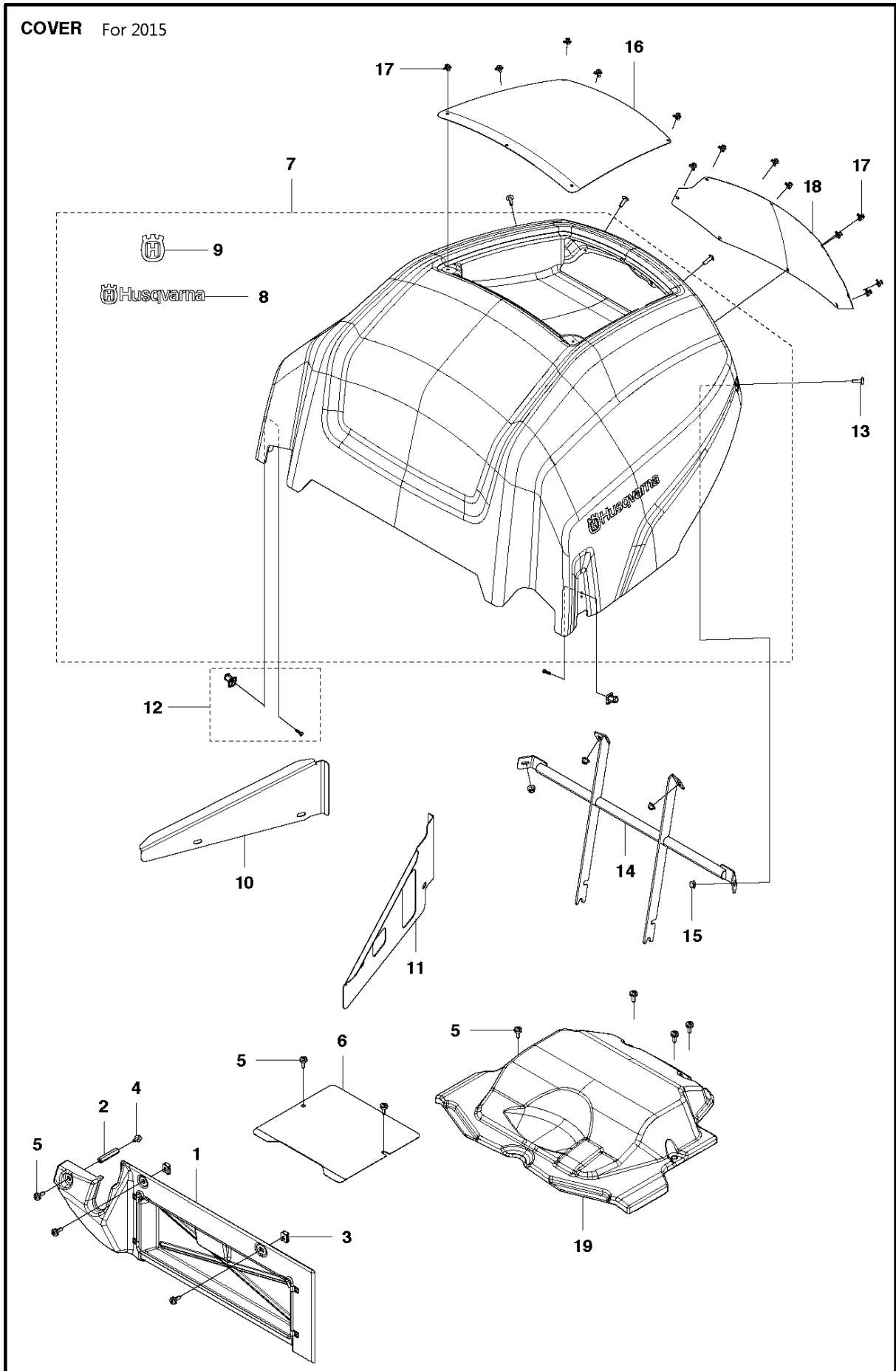


CHASSIS / FRAME

P525 D

| Ref | Part No | Description | Remark | QTY KIT |
|-----|--------------|---------------|--------|---------|
| 1 | 579 62 23-01 | CONTACT PLATE | | 2 |
| 2 | 506 67 54-08 | COLLAR SCREW | | 4 |
| 3 | 579 43 19-01 | FRAME | | 1 |
| 4 | 506 57 01-06 | SCREW EHHFM | | 2 |
| 5 | 506 57 01-07 | SCREW EHHFM | | 4 |
| 6 | 506 99 20-01 | PIPE | | 4 |
| 7 | 576 00 64-02 | BRACKET | | 1 |
| 8 | 576 43 42-01 | HEXAGON NUT | | 2 |

COVER For 2015



COVER

P525 D

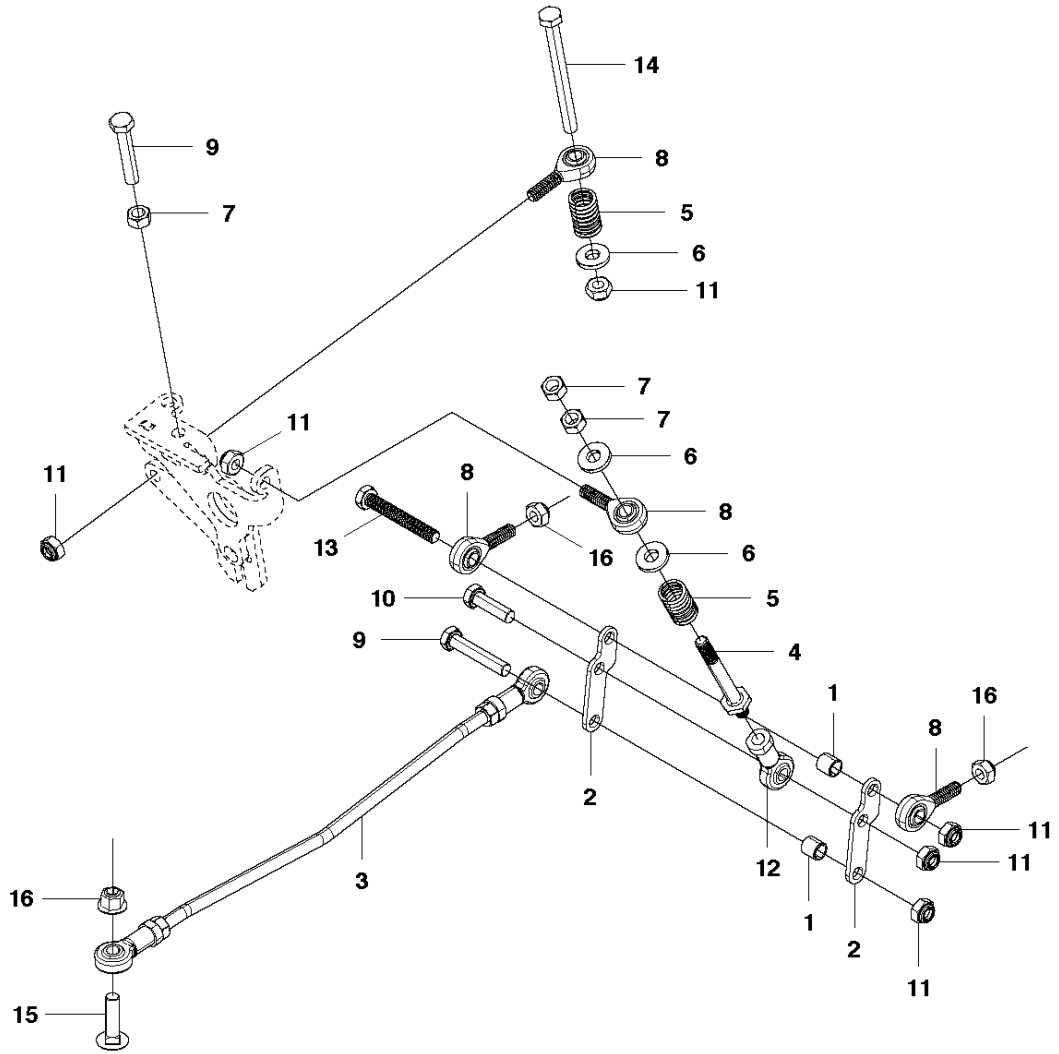
| Ref | Part No | Description | Remark | QTY | KIT |
|-----|--------------|--------------|------------------------------|-----|-----|
| 1 | 579 63 72-01 | COVER KIT | | 1 | |
| 2 | 576 68 61-03 | HEXAGON NUT | | 1 | |
| 3 | 535 42 91-01 | SPRING NUT | | 6 | |
| 4 | 725 23 64-61 | SCREW EHHFT | | 1 | |
| 5 | 574 85 62-02 | SCREW | | 13 | |
| 6 | 576 77 59-01 | SHEET | | 1 | |
| 7 | 581 87 86-01 | ENGINE HOOD | | 1 | |
| 8 | 577 46 90-01 | DECAL | | 2 | 7 |
| 9 | 574 38 21-01 | DECAL | | 2 | 7 |
| 10 | 586 33 20-01 | COVER PLATE | | 1 | |
| 11 | 586 33 19-01 | COVER PLATE | | 1 | |
| 12 | 577 22 97-01 | KEEPER | | 2 | |
| 13 | 535 42 58-02 | SCREW IHPANM | | 4 | |
| 14 | 576 23 75-01 | HINGE | | 1 | |
| 15 | 576 64 57-03 | NUT FLANGE | | 4 | |
| 16 | 581 74 71-01 | NET | | 1 | |
| 17 | 577 01 39-01 | RIVET | | 13 | |
| 18 | 581 74 74-01 | NET | For 967847801 & 967292401 | 1 | |
| 18 | 576 25 07-01 | GRID | For 966607401 - 2014 | 1 | |
| 19 | 585 06 77-01 | COVER | | 1 | |

SEAT

P525 D

| Ref | Part No | Description | Remark | QTY KIT |
|-----|--------------|---------------------|-----------------------------|---------|
| 1 | 588 61 20-01 | SEAT ASSY | | 1 |
| 2 | 575 88 33-01 | SHEET | | 1 |
| 3 | 575 88 34-01 | LATCH | | 1 |
| 4 | 535 43 82-01 | KNOB | | 1 |
| 5 | 544 21 81-03 | DRAW SPRING | | 1 |
| 6 | 506 59 74-01 | SCREW EHHFM | | 4 |
| 7 | 576 64 57-04 | NUT FLANGE | | 2 |
| 8 | 506 91 62-01 | NUT | | 2 |
| 9 | 576 54 30-01 | BRACKET | | 1 |
| 10 | 506 57 01-03 | SCREW EHHFM | | 2 |
| 11 | 544 91 43-01 | SAFETY BELT | | 1 |
| 12 | 575 88 35-01 | STAY | | 1 |
| 13 | 579 47 38-01 | WIRING | | 1 |
| 14 | 576 64 57-04 | NUT FLANGE | For 967847801, 967292401 | 4 |
| 14 | 539 11 28-99 | NUT, 5/16-18, NYLOC | For 966607401 | 1 |
| 15 | 506 57 01-07 | SCREW EHHFM | | 4 |
| 16 | 588 61 23-01 | DISTANCE | | 2 |
| 17 | 579 67 74-01 | MICRO SWITCH | NOT SHOWN | 1 |
| 18 | 582 31 02-01 | ARM REST | For 967847801, 967292401 | 1 |
| 18 | 579 55 35-02 | SEAT | For 966607401 | 1 |
| 19 | 582 31 04-01 | ARM REST | For 967847801, 967292401 | 1 |
| 19 | 579 55 35-01 | SEAT | For 966607401 | 1 |

HYDRAULICS - 3

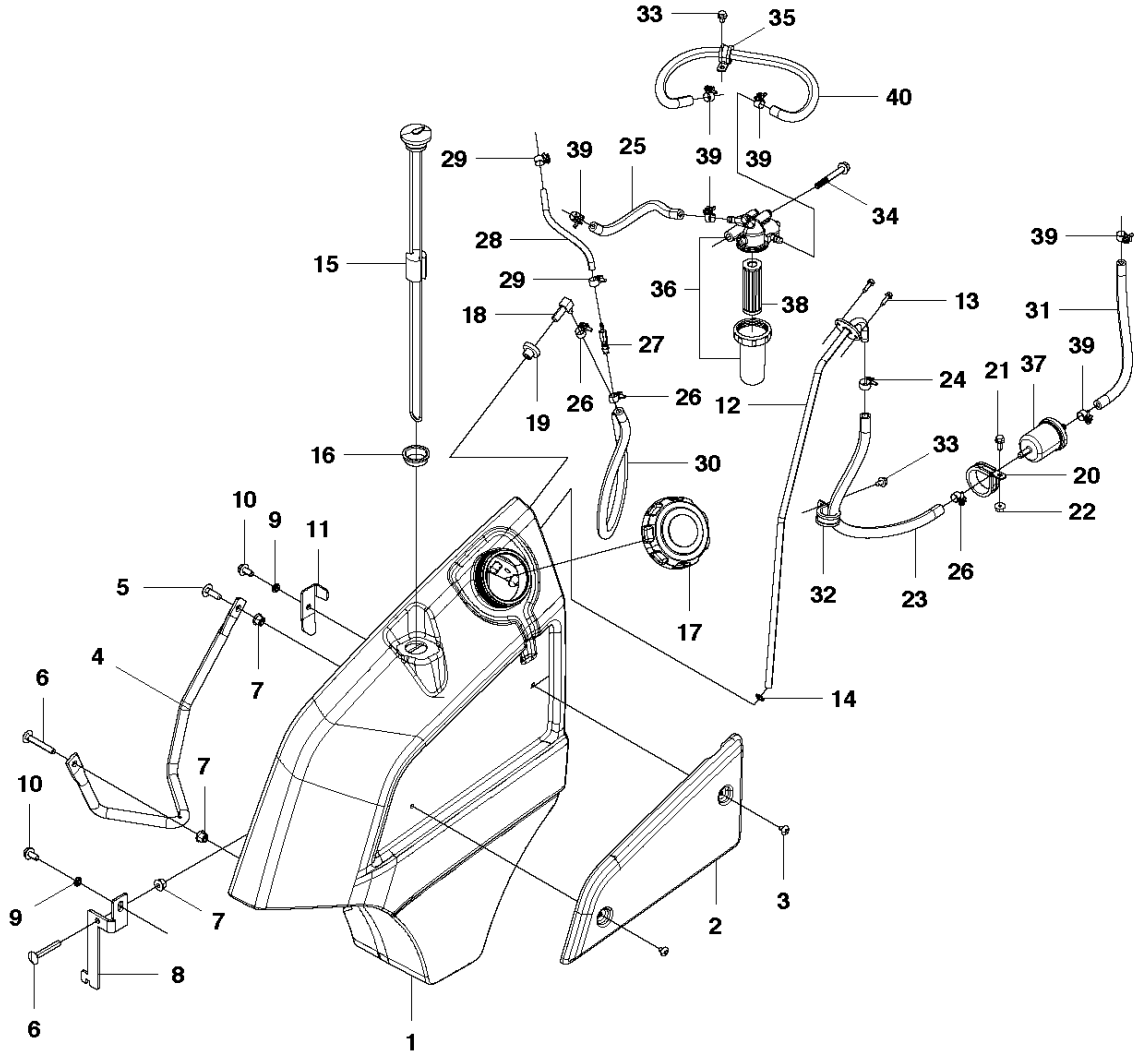


HYDRAULICS

P525 D

| Ref | Part No | Description | Remark | QTY KIT |
|-----|--------------|---------------|----------------|---------|
| 1 | 577 40 03-01 | BUSHING | | 2 |
| 2 | 577 40 10-01 | PLATE | | 2 |
| 3 | 577 38 86-01 | PULL ROD | | 1 |
| 4 | 577 39 08-01 | CONTROL SHAFT | NORMAL THREADS | 1 |
| 4 | 585 44 84-01 | CONTROL SHAFT | FINE THREADS | 1 |
| 5 | 577 39 06-01 | SPRING | | 2 |
| 6 | 576 82 31-01 | WASHER | | 3 |
| 7 | 731 23 20-01 | HEXAGON NUT | NORMAL THREADS | 2 |
| 7 | 586 05 01-01 | NUT | FINE THREADS | 2 |
| 8 | 577 40 85-01 | ROD END | | 4 |
| 9 | 725 25 02-71 | SCREW EHHM | | 2 |
| 10 | 725 24 97-51 | SCREW | | 1 |
| 11 | 732 21 20-51 | NUT | | 6 |
| 12 | 506 95 17-01 | ROD END | | 1 |
| 13 | 577 37 67-01 | SCREW EHHM | | 1 |
| 14 | 725 25 13-51 | SCREW EHHM | | 1 |
| 15 | 727 64 99-51 | SCREW | | 1 |
| 16 | 576 64 57-05 | NUT FLANGE | | 3 |

FUEL SYSTEM

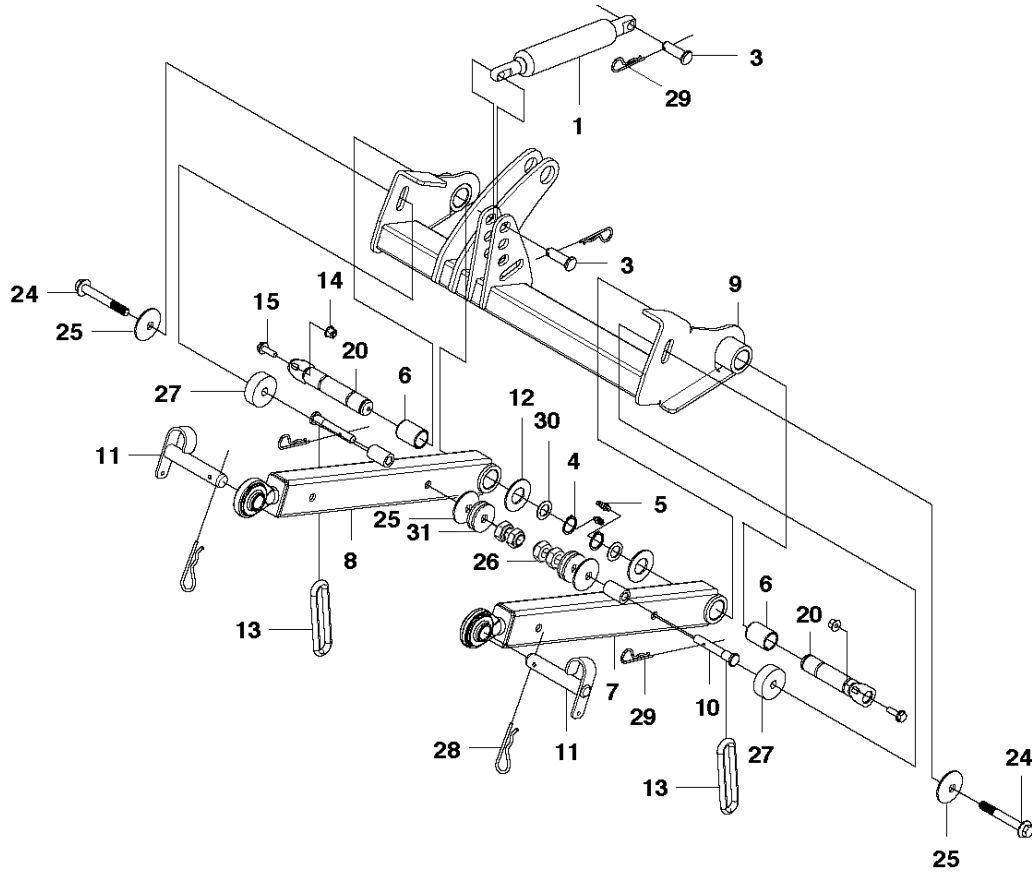


FUEL SYSTEM

P525 D

| Ref | Part No | Description | Remark | QTY KIT |
|-----|--------------|--------------|--------|---------|
| 1 | 575 71 87-01 | FUEL TANK | | 1 |
| 2 | 576 14 28-01 | COVER | | 1 |
| 3 | 535 42 58-01 | SCREW IHPANM | | 2 |
| 4 | 579 57 01-01 | TUBE | | 1 |
| 5 | 535 42 38-01 | SCREW RSQM | | 1 |
| 6 | 535 42 38-02 | SCREW RSQM | | 2 |
| 7 | 576 64 57-04 | NUT FLANGE | | 3 |
| 8 | 576 05 59-01 | BRACKET | | 1 |
| 9 | 503 23 04-03 | WASHER | | 2 |
| 10 | 506 57 01-03 | SCREW EHHFM | | 2 |
| 11 | 576 12 02-01 | BRACKET | | 1 |
| 12 | 576 48 12-01 | CONNECTOR | | 1 |
| 13 | 535 41 56-19 | SCREW | | 2 |
| 14 | 740 48 12-02 | O-RING | | 1 |
| 15 | 575 96 14-01 | GAUGE | | 1 |
| 16 | 576 48 36-01 | GROMMET | | 1 |
| 17 | 539 10 63-30 | TANK CAP | | 1 |
| 18 | 539 10 52-44 | JOINT | | 1 |
| 19 | 539 10 52-45 | GROMMET | | 1 |
| 20 | 574 53 12-02 | HOSE CLAMP | | 1 |
| 21 | 725 23 68-61 | SCREW EHHFT | | 1 |
| 22 | 576 64 57-03 | NUT FLANGE | | 1 |
| 23 | 544 28 25-10 | FUEL HOSE | | 1 |
| 24 | 544 28 26-03 | HOSE CLAMP | | 1 |
| 25 | 585 51 05-01 | FUEL HOSE | | 1 |
| 26 | 544 28 26-01 | HOSE CLAMP | | 3 |
| 27 | 544 36 92-01 | CONNECTION | | 1 |
| 28 | 544 28 25-05 | FUEL HOSE | | 1 |
| 29 | 544 28 26-02 | HOSE CLAMP | | 2 |
| 30 | 544 28 25-13 | FUEL HOSE | | 2 |
| 31 | 585 51 05-02 | FUEL HOSE | | 1 |
| 32 | 574 53 12-01 | HOSE CLAMP | | 1 |
| 33 | 725 23 64-61 | SCREW EHHFT | | 2 |
| 34 | 506 57 01-08 | SCREW EHHFM | | 1 |
| 35 | 574 53 12-03 | HOSE CLAMP | | 1 |
| 36 | 576 95 57-01 | FUEL FILTER | | 1 |
| 37 | 576 95 55-01 | PREFILTER | | 1 |
| 38 | 578 01 01-01 | FILTER | | 1 |
| 39 | 544 28 26-05 | HOSE CLAMP | | 6 |
| 40 | 585 51 05-04 | FUEL HOSE | | 1 |

LIFTING SYSTEM



MOWER LIFT / DECK LIFT

P525 D

| Ref | Part No | Description | Remark | QTY KIT |
|-----|--------------|--------------------|-------------------------------------|---------|
| 1 | 576 05 01-01 | GAS SPRING | | 1 |
| 3 | 721 85 70-01 | CLEVIS PIN | | 2 |
| 4 | 574 45 88-01 | CIRCLIP | | 2 |
| 5 | 738 88 10-02 | LUBRICATION NIPPLE | For 967847801, 967292401 - 2017 | 2 |
| 5 | 738 88 10-01 | LUBRICATION NIPPLE | For 967292401 - 2015 & 966607401 | 1 |
| 6 | 576 63 04-01 | BUSHING | | 2 |
| 7 | 578 96 94-01 | LIFTING ARM | | 1 |
| 8 | 578 96 94-02 | LIFTING ARM | | 1 |
| 9 | 575 81 44-01 | BEAM | | 1 |
| 10 | 504 88 76-01 | COTTER | | 2 |
| 11 | 586 42 47-01 | COTTER | | 2 |
| 12 | 506 94 58-01 | WASHER | | 2 |
| 13 | 580 71 76-01 | LINK | LINK | 2 |
| 14 | 576 64 57-04 | NUT FLANGE | | 2 |
| 15 | 506 57 01-05 | SCREW EHHFM | | 2 |
| 20 | 576 59 79-02 | SHAFT ASSY | | 2 |
| 24 | 576 65 48-09 | SCREW EHHFM | | 2 |
| 25 | 544 25 32-01 | WASHER | | 4 |
| 26 | 731 43 22-01 | HEXAGON THIN NUT | For 967847801, 967292401 | 4 |
| 26 | 576 64 57-06 | NUT FLANGE | For 966607401 | 1 |
| 27 | 576 62 56-01 | WASHER | | 2 |
| 28 | 506 96 66-01 | HAIR PIN COTTER | | 2 |
| 29 | 721 68 02-51 | SPRING COTTER | | 4 |
| 30 | 506 50 48-06 | WASHER | | 2 |
| 31 | 579 81 17-01 | SPRING WASHER | | 4 |

STEERING COLUMN

P525 D

| Ref | Part No | Description | Remark | QTY KIT |
|-----|--------------|------------------|-------------------------------------|---------|
| 1 | 579 61 34-01 | CONSOLE | | 1 |
| 2 | 506 57 01-07 | SCREW EHHFM | | 2 |
| 3 | 576 43 42-01 | HEXAGON NUT | | 2 |
| 4 | 506 57 01-06 | SCREW EHHFM | | 3 |
| 5 | 576 64 57-04 | NUT FLANGE | | 6 |
| 6 | 575 88 28-01 | PANEL | | 1 |
| 7 | 725 23 64-61 | SCREW EHHFT | | 9 |
| 8 | 576 25 62-01 | BRACKET | | 1 |
| 9 | 576 80 68-01 | THROTTLE CONTROL | | 1 |
| 10 | 506 88 91-01 | KNOB | | 1 |
| 11 | 576 65 65-01 | WIRE | | 1 |
| 12 | 575 88 29-01 | HANDLE | | 1 |
| 13 | 725 54 51-01 | SCREW IHSCM | | 4 |
| 14 | 577 48 80-01 | PANEL | | 1 |
| 15 | 535 42 91-01 | SPRING NUT | | 12 |
| 16 | 574 85 62-02 | SCREW | | 12 |
| 17 | 575 88 36-01 | COVER | | 1 |
| 18 | 544 40 43-01 | LOCKWASHER | | 1 |
| 19 | 576 54 51-01 | BRACKET | | 1 |
| 20 | 576 44 43-01 | SHEET | | 1 |
| 21 | 589 65 12-01 | POWER STEERING | | 1 |
| 22 | 578 79 08-01 | COVER | | 1 |
| 23 | 725 53 64-01 | SCREW IHSCM | | 2 |
| 24 | 576 54 50-01 | BRACKET | | 1 |
| 25 | 576 02 17-01 | BRACKET | | 1 |
| 26 | 506 57 01-04 | SCREW EHHFM | | 5 |
| 27 | 580 27 29-01 | INSERT | | 3 |
| 28 | 577 21 86-01 | COVER | | 1 |
| 29 | 504 85 17-01 | KEY SWITCH | | 1 |
| 30 | 535 47 50-01 | WASHER | | 1 |
| 31 | 535 47 61-01 | NUT | | 1 |
| 32 | 502 65 57-01 | SWITCH | Light Switch | 1 |
| 33 | 577 09 27-01 | HOUR METER | | 1 |
| 34 | 544 29 14-01 | STEERING WHEEL | | 1 |
| 35 | 735 88 12-00 | WOODRUFF KEY | | 1 |
| 36 | 544 22 16-01 | WASHER | | 1 |
| 37 | 535 46 42-01 | LAMP BODY ASSY | | 1 |
| 38 | 506 89 20-01 | SPEED NUT | | 2 |
| 39 | 535 41 56-19 | SCREW | | 2 |
| 40 | 576 39 23-01 | COVER | | 1 |
| 41 | 576 23 11-01 | COVER | | 1 |
| 42 | 535 44 68-01 | LAMP | | 2 |
| 43 | 725 54 51-01 | SCREW IHSCM | For 967847801, 967292401 - 2017 | 4 |
| 43 | 725 54 49-01 | SCREW IHSCM | For 967292401 - 2015 & 966607401 | 1 |
| 44 | 535 47 60-01 | IGNITION KEY | | 1 |

STEERING COLUMN

P525 D

| Ref | Part No | Description | Remark | QTY KIT |
|-----|--------------|------------------|--------------|---------|
| 1 | 579 61 34-01 | CONSOLE | | 1 |
| 2 | 506 57 01-07 | SCREW EHHFM | | 2 |
| 3 | 576 43 42-01 | HEXAGON NUT | | 2 |
| 4 | 506 57 01-06 | SCREW EHHFM | | 3 |
| 5 | 576 64 57-04 | NUT FLANGE | | 6 |
| 6 | 575 88 28-01 | PANEL | | 1 |
| 7 | 725 23 64-61 | SCREW EHHFT | | 9 |
| 8 | 576 25 62-01 | BRACKET | | 1 |
| 9 | 576 80 68-01 | THROTTLE CONTROL | | 1 |
| 10 | 506 88 91-01 | KNOB | | 1 |
| 11 | 576 65 65-01 | WIRE | | 1 |
| 12 | 575 88 29-01 | HANDLE | | 1 |
| 13 | 725 54 51-01 | SCREW IHSCM | | 4 |
| 14 | 577 48 80-01 | PANEL | | 1 |
| 15 | 535 42 91-01 | SPRING NUT | | 8 |
| 16 | 574 85 62-02 | SCREW | | 10 |
| 17 | 575 88 36-01 | COVER | | 1 |
| 18 | 544 40 43-01 | LOCKWASHER | | 1 |
| 19 | 582 05 64-01 | BRACKET | | 1 |
| 20 | 576 44 43-01 | SHEET | | 1 |
| 21 | 589 65 12-01 | POWER STEERING | | 1 |
| 22 | 506 91 62-04 | NUT | | 2 |
| 23 | 522 55 73-01 | SCREW | | 2 |
| 24 | 576 54 50-01 | BRACKET | | 1 |
| 26 | 506 57 01-04 | SCREW EHHFM | | 5 |
| 27 | 580 27 29-01 | INSERT | | 3 |
| 28 | 501 44 51-01 | COVER | | 1 |
| 29 | 504 85 17-01 | KEY SWITCH | | 1 |
| 30 | 535 47 50-01 | WASHER | | 1 |
| 31 | 535 47 61-01 | NUT | | 1 |
| 32 | 502 65 57-01 | SWITCH | Light Switch | 1 |
| 33 | 577 09 27-01 | HOUR METER | | 1 |
| 34 | 544 29 14-01 | STEERING WHEEL | | 1 |
| 35 | 735 88 12-00 | WOODRUFF KEY | | 1 |
| 36 | 544 22 16-01 | WASHER | | 1 |
| 40 | 501 44 50-01 | COVER | | 1 |
| 42 | 582 21 42-01 | LAMP | LED | 2 |
| 43 | 725 54 49-01 | SCREW IHSCM | | 4 |
| 44 | 535 47 60-01 | IGNITION KEY | | 1 |

CONTROLS

P525 D

| Ref | Part No | Description | Remark | QTY KIT |
|-----|--------------|----------------------|--------|---------|
| 1 | 501 06 22-01 | SHEET | | 1 |
| 2 | 506 57 01-04 | SCREW EHHFM | | 11 |
| 3 | 506 91 62-01 | NUT | | 2 |
| 6 | 576 99 87-01 | SLEEVE | | 1 |
| 7 | 725 25 36-71 | SCREW EHHM | | 1 |
| 8 | 576 64 57-06 | NUT FLANGE | | 1 |
| 9 | 501 06 23-01 | LID | | 1 |
| 10 | 582 08 45-01 | COVER ASSY | | 1 |
| 11 | 575 88 21-01 | RECEPTACLE | | 2 |
| 12 | 575 88 19-01 | STUD | | 2 |
| 13 | 575 88 20-01 | RETAINER | | 2 |
| 14 | 582 08 71-01 | STAY | | 1 |
| 15 | 588 69 20-01 | PEDAL | | 1 |
| 16 | 576 47 51-01 | SPRING | | 1 |
| 17 | 506 55 43-01 | BEARING | | 4 |
| 18 | 586 17 50-01 | PEDAL ARM | | 1 |
| 19 | 576 34 89-01 | SHAFT | | 1 |
| 20 | 734 11 86-01 | WASHER | | 1 |
| 21 | 735 31 18-20 | E-CLIP | | 2 |
| 22 | 738 88 10-01 | LUBRICATION NIPPLE | | 2 |
| 23 | 582 09 25-01 | LEVER | | 1 |
| 24 | 734 11 78-01 | WASHER | | 1 |
| 25 | 579 29 68-01 | PEDAL PLATE ASSY | | 1 |
| 26 | 535 47 99-01 | FOOTPLATE | | 1 |
| 27 | 506 50 62-01 | PEDAL RUBBER | | 1 |
| 28 | 721 43 09-70 | SPRING PIN | | 1 |
| 29 | 585 87 73-01 | SLEEVE | | 3 |
| 30 | 506 53 56-03 | DRAW SPRING | | 1 |
| 31 | 576 35 22-01 | WIRE ASSY | | 1 |
| 32 | 735 31 09-20 | E-CLIP | | 2 |
| 33 | 721 83 99-01 | CLEVIS PIN | | 3 |
| 34 | 721 61 52-01 | SPLIT PIN | | 3 |
| 35 | 579 37 00-01 | STAY | | 1 |
| 36 | 506 57 01-06 | SCREW EHHFM | | 4 |
| 37 | 576 29 14-02 | PUSH ROD | | 1 |
| 38 | 576 29 14-01 | PUSH ROD | | 1 |
| 39 | 506 78 99-01 | VINKELLÄNK DIN 71802 | | 2 |
| 40 | 506 78 99-02 | VINKELLÄNK DIN 71802 | | 2 |
| 41 | 506 89 76-01 | NUT | | 2 |
| 42 | 731 23 20-51 | HEXAGON NUT | | 2 |
| 43 | 576 64 57-05 | NUT FLANGE | | 4 |
| 44 | 579 44 09-01 | CONTROL LEVER | | 1 |
| 45 | 576 35 15-01 | SLEEVE | | 3 |
| 46 | 506 98 61-01 | GLIDLAGER | | 3 |
| 47 | 576 35 16-01 | WASHER | | 1 |
| 48 | 725 24 64-51 | SCREW EHHM | | 1 |
| 49 | 576 43 42-01 | HEXAGON NUT | | 3 |
| 50 | 579 44 89-01 | CONTROL LEVER | | 1 |
| 51 | 506 57 01-03 | SCREW EHHFM | | 2 |
| 52 | 506 93 83-01 | DAMPING PIECE | | 2 |
| 53 | 579 30 36-01 | BRACKET | | 1 |
| 54 | 579 32 54-01 | ARM | | 1 |
| 55 | 521 90 35-01 | KNOB | | 1 |
| 56 | 588 83 89-01 | LINK ARM | | 1 |
| 57 | 506 57 01-07 | SCREW EHHFM | | 2 |
| 58 | 579 30 38-01 | SHEET | | 1 |
| 59 | 506 59 74-01 | SCREW EHHFM | | 2 |
| 60 | 732 21 18-01 | LOCK NUT | | 6 |
| 61 | 505 45 03-01 | TUBE | | 2 |
| 62 | 535 42 38-02 | SCREW RSQM | | 2 |
| 63 | 579 30 37-01 | COVER | | 1 |
| 64 | 579 30 40-01 | SPRING | | 1 |
| 65 | 579 32 87-01 | WIRE ASSY | | 1 |
| 66 | 544 13 36-01 | DRAW SPRING | | 1 |
| 67 | 579 30 41-01 | BRACKET | | 1 |
| 68 | 506 57 01-05 | SCREW EHHFM | | 1 |
| 69 | 580 66 78-01 | LABEL | | 1 |

CONTROLS

P525 D

| Ref | Part No | Description | Remark | QTY KIT |
|-----|--------------|----------------------|--------|---------|
| 1 | 575 75 03-01 | SHEET | | 1 |
| 2 | 506 57 01-04 | SCREW EHHFM | | 8 |
| 3 | 506 91 62-01 | NUT | | 2 |
| 4 | 579 42 51-01 | GRIP | | 1 |
| 5 | 579 42 50-01 | GRIP | | 1 |
| 6 | 576 99 87-01 | SLEEVE | | 1 |
| 7 | 725 25 36-71 | SCREW EHHM | | 1 |
| 8 | 576 64 57-06 | NUT FLANGE | | 1 |
| 9 | 579 41 08-01 | LID | | 1 |
| 10 | 579 42 52-01 | GRIP | | 1 |
| 11 | 575 88 21-01 | RECEPTACLE | | 2 |
| 12 | 575 88 19-01 | STUD | | 2 |
| 13 | 575 88 20-01 | RETAINER | | 2 |
| 14 | 576 35 23-01 | STAY | | 1 |
| 15 | 579 44 17-01 | PEDAL | | 1 |
| 16 | 576 47 51-01 | SPRING | | 1 |
| 17 | 506 55 43-01 | BEARING | | 4 |
| 18 | 586 17 50-01 | PEDAL ARM | | 1 |
| 19 | 576 34 89-01 | SHAFT | | 1 |
| 20 | 734 11 86-01 | WASHER | | 1 |
| 21 | 735 31 18-20 | E-CLIP | | 2 |
| 22 | 738 88 10-01 | LUBRICATION NIPPLE | | 2 |
| 23 | 586 16 95-01 | LEVER | | 1 |
| 24 | 734 11 78-01 | WASHER | | 1 |
| 25 | 579 29 68-01 | PEDAL PLATE ASSY | | 1 |
| 26 | 535 47 99-01 | FOOTPLATE | | 1 |
| 27 | 506 50 62-01 | PEDAL RUBBER | | 1 |
| 28 | 721 43 09-70 | SPRING PIN | | 1 |
| 29 | 579 29 44-01 | SLEEVE | | 3 |
| 30 | 506 53 56-03 | DRAW SPRING | | 1 |
| 31 | 576 35 22-01 | WIRE ASSY | | 1 |
| 32 | 735 31 09-20 | E-CLIP | | 2 |
| 33 | 721 83 99-01 | CLEVIS PIN | | 3 |
| 34 | 721 61 52-01 | SPLIT PIN | | 3 |
| 35 | 579 37 00-01 | STAY | | 1 |
| 36 | 506 57 01-06 | SCREW EHHFM | | 4 |
| 37 | 576 29 14-02 | PUSH ROD | | 1 |
| 38 | 576 29 14-01 | PUSH ROD | | 1 |
| 39 | 506 78 99-01 | VINKELLÄNK DIN 71802 | | 2 |
| 40 | 506 78 99-02 | VINKELLÄNK DIN 71802 | | 2 |
| 41 | 506 89 76-01 | NUT | | 2 |
| 42 | 731 23 20-51 | HEXAGON NUT | | 2 |
| 43 | 576 64 57-05 | NUT FLANGE | | 4 |
| 44 | 579 44 09-01 | CONTROL LEVER | | 1 |
| 45 | 576 35 15-01 | SLEEVE | | 3 |
| 46 | 506 98 61-01 | GLIDLAGER | | 3 |
| 47 | 576 35 16-01 | WASHER | | 1 |
| 48 | 725 24 64-51 | SCREW EHHM | | 1 |
| 49 | 576 43 42-01 | HEXAGON NUT | | 3 |
| 50 | 579 44 89-01 | CONTROL LEVER | | 1 |
| 51 | 506 57 01-03 | SCREW EHHFM | | 2 |
| 52 | 506 93 83-01 | DAMPING PIECE | | 2 |
| 53 | 579 30 36-01 | BRACKET | | 1 |
| 54 | 579 32 54-01 | ARM | | 1 |
| 55 | 521 90 35-01 | KNOB | | 1 |
| 56 | 579 32 55-01 | LINK ARM | | 1 |
| 57 | 506 57 01-07 | SCREW EHHFM | | 2 |
| 58 | 579 30 38-01 | SHEET | | 1 |
| 59 | 506 59 74-01 | SCREW EHHFM | | 2 |
| 60 | 732 21 18-01 | LOCK NUT | | 6 |
| 61 | 505 45 03-01 | TUBE | | 2 |
| 62 | 535 42 38-02 | SCREW RSQM | | 2 |
| 63 | 579 30 37-01 | COVER | | 1 |
| 64 | 579 30 40-01 | SPRING | | 1 |

CONTROLS

P525 D

| Ref | Part No | Description | Remark | QTY KIT |
|-----|--------------|-------------|--------|---------|
| 65 | 579 32 87-01 | WIRE ASSY | | 1 |
| 66 | 544 13 36-01 | DRAW SPRING | | 1 |
| 67 | 579 30 41-01 | BRACKET | | 1 |
| 68 | 506 57 01-05 | SCREW EHHFM | | 1 |
| 69 | 580 66 78-01 | LABEL | | 1 |