

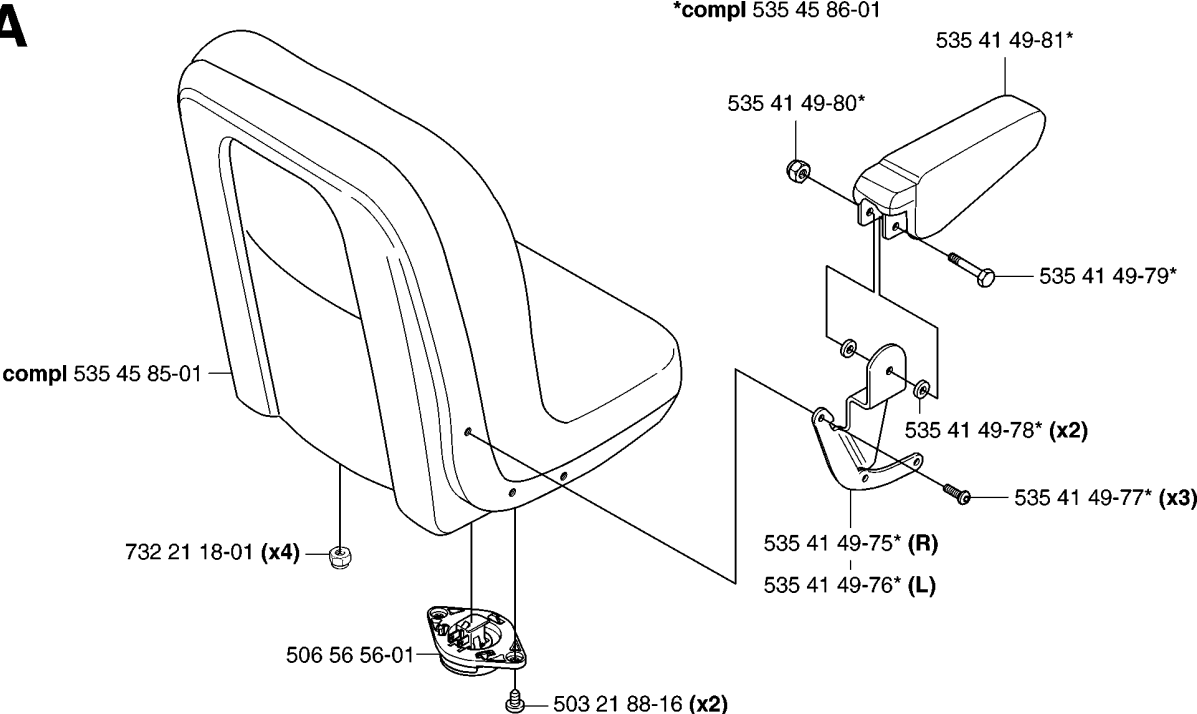


# SPARE PARTS LIST

RIDERS

RIDER PRO 15, 953535001, 2004-01

**A**

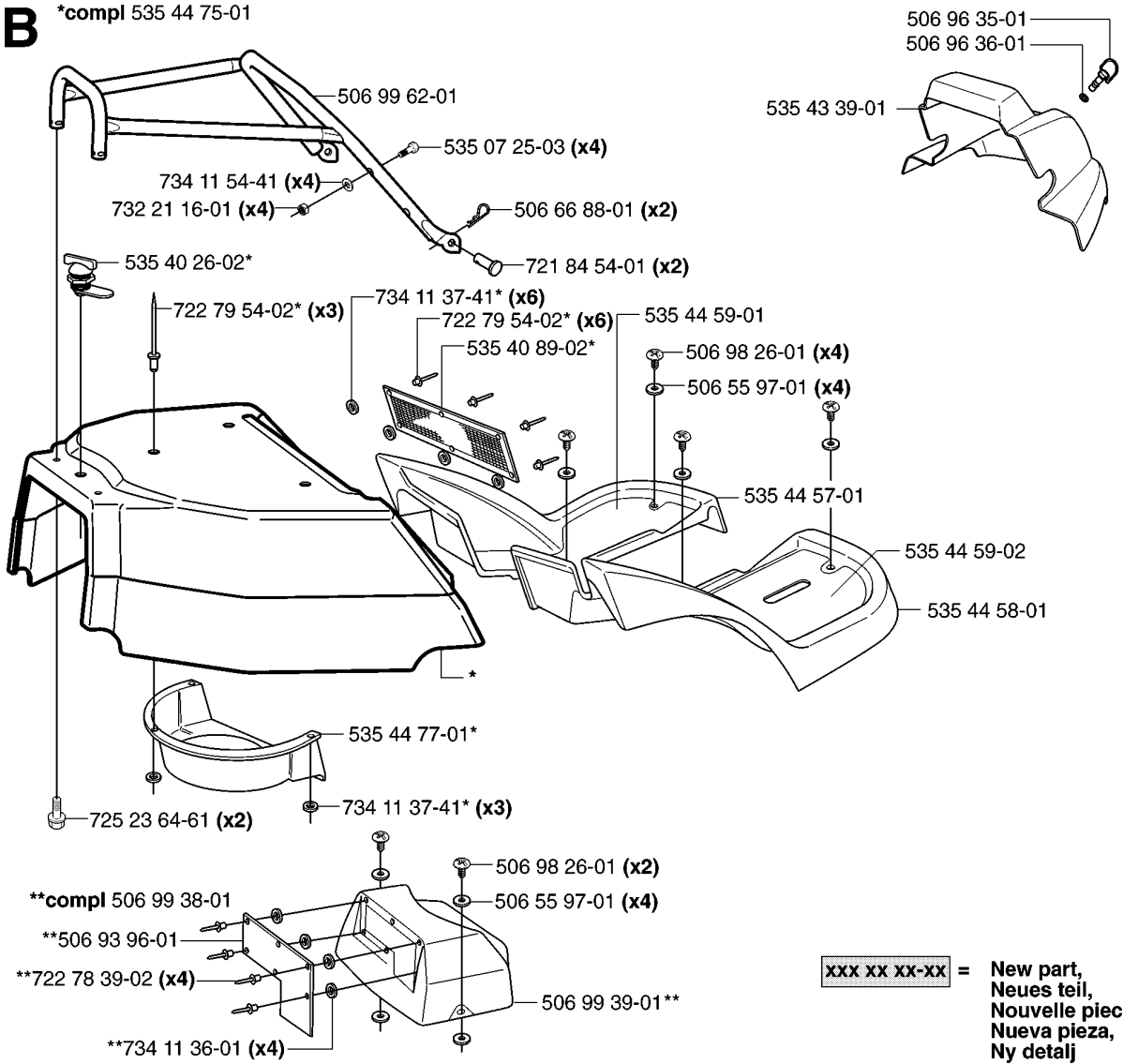


## SEAT

RIDER PRO 15, 953535001, 2004-01

| Part No      | Description      | Remark | QTY KIT |
|--------------|------------------|--------|---------|
| 503 21 88-16 | SCREW IH SCT     |        | 2       |
| 506 56 56-01 | SÄTESBRYTARE KPL |        | 1       |
| 535 41 49-75 | BRACKET          |        | 1       |
| 535 41 49-76 | BRACKET          |        | 1       |
| 535 41 49-77 | SCREW            |        | 3       |
| 535 41 49-78 | SPACER           |        | 2       |
| 535 41 49-79 | SCREW            |        | 1       |
| 535 41 49-80 | NUT              |        | 1       |
| 535 41 49-81 | ARMSTÖD          |        | 1       |
| 535 45 85-01 | SEAT ASSY        |        | 1       |
| 535 45 86-01 | ARM REST KIT     |        | 1       |
| 732 21 18-01 | LOCK NUT         |        | 4       |

**B** \*compl 535 44 75-01

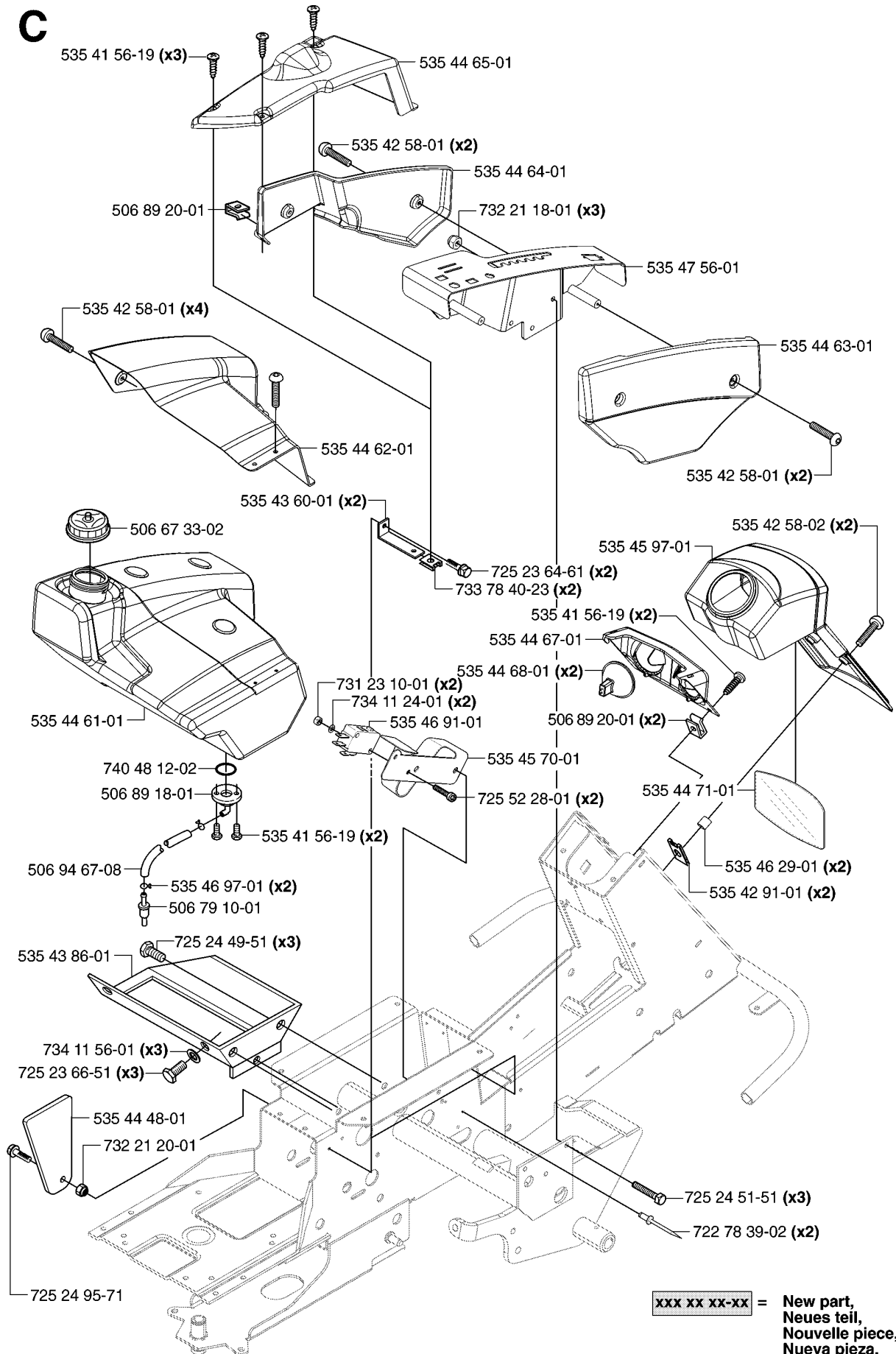


## COVER

RIDER PRO 15, 953535001, 2004-01

| Part No      | Description       | Remark | QTY KIT |
|--------------|-------------------|--------|---------|
| 506 55 97-01 | WASHER            |        | 4       |
| 506 55 97-01 | WASHER            |        | 4       |
| 506 66 88-01 | SPRING COTTER     |        | 2       |
| 506 93 96-01 | SCREEN            |        | 1       |
| 506 96 35-01 | VRIDTAPP          |        | 1       |
| 506 96 36-01 | WASHER            |        | 1       |
| 506 98 26-01 | SCREW             |        | 4       |
| 506 98 26-01 | SCREW             |        | 2       |
| 506 99 38-01 | COVER             |        | 1       |
| 506 99 39-01 | COVER             |        | 1       |
| 506 99 62-01 | LOAD CARRIER ASSY |        | 1       |
| 535 07 25-03 | SCREW IHANM       |        | 4       |
| 535 40 26-02 | LOCK              |        | 1       |
| 535 40 89-02 | GRID              |        | 1       |
| 535 43 39-01 | COVER             |        | 1       |
| 535 44 57-01 | FLYGEL VÄNSTER    |        | 1       |
| 535 44 58-01 | FLYGEL HÖGER      |        | 1       |
| 535 44 59-01 | PEDISTAL MAT      |        | 1       |
| 535 44 59-02 | PEDISTAL MAT      |        | 1       |
| 535 44 75-01 | ENGINE HOOD ASSY  |        | 1       |
| 535 44 77-01 | AIR CONDUCTOR     |        | 1       |
| 721 84 54-01 | CLEVIS PIN        |        | 2       |
| 722 78 39-02 | BLIND RIVET       |        | 4       |
| 722 79 54-02 | RIVET             |        | 6       |
| 722 79 54-02 | RIVET             |        | 3       |
| 725 23 64-61 | SCREW EHHFT       |        | 2       |
| 732 21 16-01 | LOCK NUT          |        | 4       |
| 734 11 36-01 | WASHER            |        | 4       |
| 734 11 37-41 | WASHER            |        | 6       |
| 734 11 37-41 | WASHER            |        | 3       |
| 734 11 54-41 | WASHER            |        | 4       |

**C**



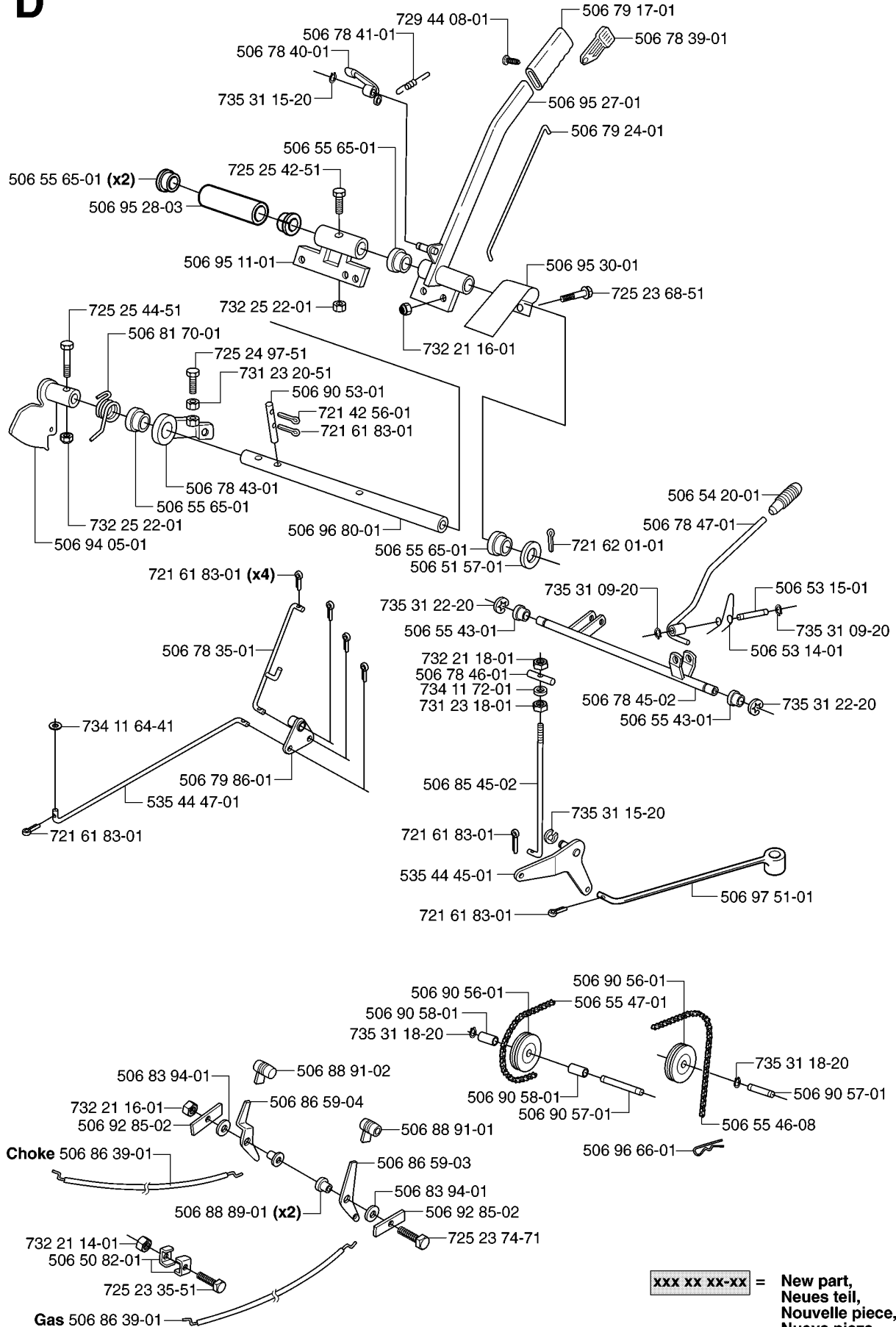
**xxx xx xx-xx = New part,  
Neues teil,  
Nouvelle piece,  
Nueva pieza,  
Ny detalj**

## COVER

RIDER PRO 15, 953535001, 2004-01

| Part No      | Description           | Remark | QTY KIT |
|--------------|-----------------------|--------|---------|
| 506 67 33-02 | TANK CAP ASSY         |        | 1       |
| 506 79 10-01 | FUEL FILTER           |        | 1       |
| 506 89 18-01 | CONNECTION            |        | 1       |
| 506 89 20-01 | SPEED NUT             |        | 1       |
| 506 89 20-01 | SPEED NUT             |        | 2       |
| 506 94 67-08 | FUEL HOSE             |        | 1       |
| 535 41 56-19 | SCREW                 |        | 3       |
| 535 41 56-19 | SCREW                 |        | 2       |
| 535 42 58-01 | SCREW IHPANM          |        | 2       |
| 535 42 58-01 | SCREW IHPANM          |        | 4       |
| 535 42 58-01 | SCREW IHPANM          |        | 2       |
| 535 42 58-02 | SCREW IHPANM          |        | 2       |
| 535 42 91-01 | SPRING NUT            |        | 2       |
| 535 43 60-01 | KÄPSTÖTTA             |        | 2       |
| 535 43 86-01 | BRACKET               |        | 1       |
| 535 44 48-01 | TANK SUPPORT          |        | 1       |
| 535 44 61-01 | FUEL TANK             |        | 1       |
| 535 44 62-01 | DESIGN COVER TANK     |        | 1       |
| 535 44 63-01 | CONTROL CAP OUTER     |        | 1       |
| 535 44 64-01 | CONTROL CAP INNER     |        | 1       |
| 535 44 65-01 | COVER                 |        | 1       |
| 535 44 67-01 | HOUSING               |        | 1       |
| 535 44 68-01 | LAMP                  |        | 2       |
| 535 44 71-01 | LAMP CHIMNEY          |        | 1       |
| 535 45 70-01 | PLATE SPRING          |        | 1       |
| 535 45 97-01 | COVER                 |        | 1       |
| 535 46 29-01 | SPACER                |        | 2       |
| 535 46 91-01 | SWITCH                |        | 1       |
| 535 46 97-01 | HOSE BRACE            |        | 2       |
| 535 47 56-01 | CONTROL PLATE         |        | 1       |
| 722 78 39-02 | BLIND RIVET           |        | 2       |
| 725 23 64-61 | SCREW EHHFT           |        | 2       |
| 725 23 66-51 | HEXAGONAL SCREW M6X12 |        | 3       |
| 725 24 49-51 | SCREW                 |        | 3       |
| 725 24 51-51 | SCREW                 |        | 3       |
| 725 24 95-71 | SCREW EHHM            |        | 1       |
| 725 52 28-01 | SCREW IHSCM           |        | 2       |
| 731 23 10-01 | HEXAGON NUT           |        | 2       |
| 732 21 18-01 | LOCK NUT              |        | 3       |
| 732 21 20-01 | LOCK NUT              |        | 1       |
| 733 78 40-23 | QUICK-ACTING LOCK NUT |        | 2       |
| 734 11 24-01 | WASHER                |        | 2       |
| 734 11 56-01 | WASHER                |        | 3       |
| 740 48 12-02 | O-RING                |        | 1       |

**D**



**xxx xx xx-xx = New part,  
Neues teil,  
Nouvelle piece,  
Nueva pieza,  
Ny detalj**



## CONTROLS

RIDER PRO 15, 953535001, 2004-01

| Part No      | Description         | Remark | QTY KIT |
|--------------|---------------------|--------|---------|
| 506 50 82-01 | CLIP                |        | 1       |
| 506 51 57-01 | WASHER              |        | 1       |
| 506 53 14-01 | SPRING              |        | 1       |
| 506 53 15-01 | SHAFT               |        | 1       |
| 506 54 20-01 | HANDLE              |        | 1       |
| 506 55 43-01 | BEARING             |        | 1       |
| 506 55 43-01 | BEARING             |        | 1       |
| 506 55 46-08 | CHAIN               |        | 1       |
| 506 55 47-01 | LINKAGE             |        | 1       |
| 506 55 65-01 | BEARING             |        | 1       |
| 506 55 65-01 | BEARING             |        | 1       |
| 506 55 65-01 | BEARING             |        | 2       |
| 506 55 65-01 | BEARING             |        | 1       |
| 506 78 35-01 | CONNECTION ROD      |        | 1       |
| 506 78 39-01 | BUTTON              |        | 1       |
| 506 78 40-01 | HITCH               |        | 1       |
| 506 78 41-01 | SPRING              |        | 1       |
| 506 78 43-01 | LINK ASSY           |        | 1       |
| 506 78 45-02 | CONTROL LEVER       |        | 1       |
| 506 78 46-01 | PEN                 |        | 1       |
| 506 78 47-01 | REGLERSPAK KPL.     |        | 1       |
| 506 79 17-01 | HANDLE              |        | 1       |
| 506 79 24-01 | THREAD              |        | 1       |
| 506 79 86-01 | LÄNK KOPPLING KPL.  |        | 1       |
| 506 81 70-01 | SPRING              |        | 1       |
| 506 83 94-01 | SPRING WASHER       |        | 1       |
| 506 83 94-01 | SPRING WASHER       |        | 1       |
| 506 85 45-02 | HEIGHT ROD          |        | 1       |
| 506 86 39-01 | THROTTLE CABLE ASSY |        | 1       |
| 506 86 39-01 | THROTTLE CABLE ASSY |        | 1       |
| 506 86 59-03 | CONTROL             |        | 1       |
| 506 86 59-04 | CONTROL             |        | 1       |
| 506 88 89-01 | BUSHING             |        | 2       |
| 506 88 91-01 | KNOB                |        | 1       |
| 506 88 91-02 | KNOB                |        | 1       |
| 506 90 53-01 | PEN                 |        | 1       |
| 506 90 56-01 | OFFSET PULLEY       |        | 1       |
| 506 90 56-01 | OFFSET PULLEY       |        | 1       |
| 506 90 57-01 | SHAFT               |        | 1       |
| 506 90 57-01 | SHAFT               |        | 1       |
| 506 90 58-01 | TUBE SLEEVE         |        | 1       |
| 506 90 58-01 | TUBE SLEEVE         |        | 1       |
| 506 92 85-02 | LOCKWASHER          |        | 1       |
| 506 92 85-02 | LOCKWASHER          |        | 1       |
| 506 94 05-01 | LIFTING ARM         |        | 1       |
| 506 95 11-01 | DRIVER ASSY         |        | 1       |
| 506 95 27-01 | LIFT LEVER Cmpl     |        | 1       |
| 506 95 28-03 | BEARING SLEEVE      |        | 1       |
| 506 95 30-01 | PLATE SPRING        |        | 1       |
| 506 96 66-01 | HAIR PIN COTTER     |        | 1       |
| 506 96 80-01 | SHAFT               |        | 1       |
| 506 97 51-01 | CONNECTOR           |        | 1       |
| 535 44 45-01 | LINK PLATE ASSY     |        | 1       |
| 535 44 47-01 | CLUTCH ROD REAR     |        | 1       |
| 721 42 56-01 | SPRING PIN          |        | 1       |
| 721 61 83-01 | SPLIT PIN           |        | 4       |
| 721 61 83-01 | SPLIT PIN           |        | 1       |
| 721 61 83-01 | SPLIT PIN           |        | 1       |
| 721 61 83-01 | SPLIT PIN           |        | 1       |
| 721 61 83-01 | SPLIT PIN           |        | 1       |
| 721 62 01-01 | SPLIT PIN           |        | 1       |
| 725 23 35-51 | SCREW EHHM          |        | 1       |
| 725 23 68-51 | SCREW               |        | 1       |
| 725 23 74-71 | SCREW EHHM          |        | 1       |

## CONTROLS

RIDER PRO 15, 953535001, 2004-01

| Part No      | Description         | Remark | QTY KIT |
|--------------|---------------------|--------|---------|
| 725 24 97-51 | SCREW               |        | 1       |
| 725 25 42-51 | SCREW EHHM          |        | 1       |
| 725 25 44-51 | SCREW EHHM          |        | 1       |
| 729 44 08-01 | SCREW SLCSRT        |        | 1       |
| 731 23 18-01 | HEXAGON NUT         |        | 1       |
| 731 23 20-51 | HEXAGON NUT         |        | 1       |
| 732 21 14-01 | LOCK NUT            |        | 1       |
| 732 21 16-01 | LOCK NUT            |        | 1       |
| 732 21 16-01 | LOCK NUT            |        | 1       |
| 732 21 18-01 | LOCK NUT            |        | 1       |
| 732 25 22-01 | HEXAGON LOCKING NUT |        | 1       |
| 732 25 22-01 | HEXAGON LOCKING NUT |        | 1       |
| 734 11 64-41 | WASHER              |        | 1       |
| 734 11 72-01 | WASHER              |        | 1       |
| 735 31 09-20 | E-CLIP              |        | 1       |
| 735 31 09-20 | E-CLIP              |        | 1       |
| 735 31 15-20 | E-CLIP              |        | 1       |
| 735 31 18-20 | E-CLIP              |        | 1       |
| 735 31 18-20 | E-CLIP              |        | 1       |
| 735 31 22-20 | E-CLIP              |        | 1       |
| 735 31 22-20 | E-CLIP              |        | 1       |

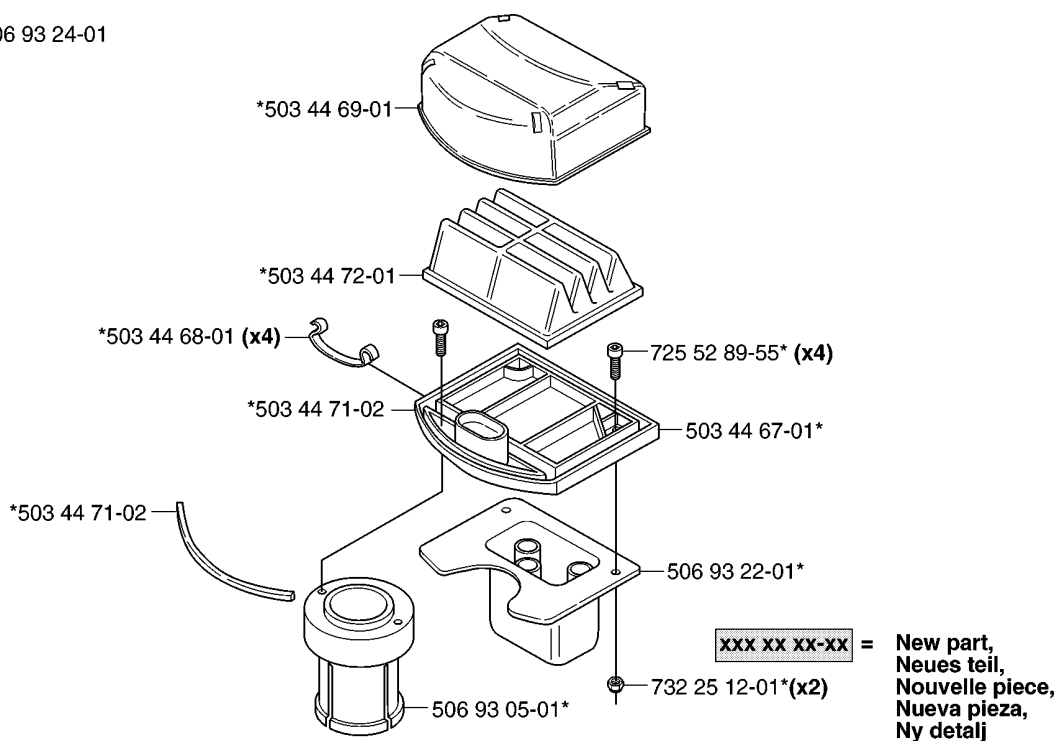


## PEDALS

RIDER PRO 15, 953535001, 2004-01

| Part No      | Description          | Remark | QTY KIT |
|--------------|----------------------|--------|---------|
| 506 50 62-01 | PEDAL RUBBER         |        | 1       |
| 506 50 62-02 | PEDAL RUBBER         |        | 1       |
| 506 50 65-01 | BEARING SUPPORT      |        | 1       |
| 506 50 65-01 | BEARING SUPPORT      |        | 1       |
| 506 50 65-01 | BEARING SUPPORT      |        | 1       |
| 506 53 56-03 | DRAW SPRING          |        | 1       |
| 506 55 73-01 | VINKELL.AS8 DIN71802 |        | 1       |
| 506 55 73-01 | VINKELL.AS8 DIN71802 |        | 1       |
| 506 55 73-01 | VINKELL.AS8 DIN71802 |        | 1       |
| 506 57 01-04 | SCREW EHHFM          |        | 1       |
| 506 80 41-01 | PLATE                |        | 1       |
| 506 80 41-01 | PLATE                |        | 1       |
| 506 80 41-01 | PLATE                |        | 1       |
| 506 93 83-01 | DAMPING PIECE        |        | 1       |
| 506 94 63-01 | BRAKE SPRING         |        | 1       |
| 506 94 71-02 | BRAKE PEDAL ASSY     |        | 1       |
| 506 95 41-01 | BEARING SUPPORT      |        | 1       |
| 506 95 41-01 | BEARING SUPPORT      |        | 1       |
| 506 95 41-01 | BEARING SUPPORT      |        | 1       |
| 506 95 41-01 | BEARING SUPPORT      |        | 1       |
| 506 95 41-01 | BEARING SUPPORT      |        | 1       |
| 506 96 54-01 | PEDAL PLATE          |        | 1       |
| 506 99 27-01 | BRAKE WIRE           |        | 1       |
| 535 45 14-01 | CONTROL CABLE        |        | 1       |
| 535 45 89-01 | HST-PEDAL M.FOTPL.   |        | 1       |
| 535 45 93-01 | REVERSE PEDAL        |        | 1       |
| 535 45 95-01 | SPRING               |        | 1       |
| 535 45 96-01 | PLATE                |        | 1       |
| 535 45 99-01 | ROLLER               |        | 1       |
| 535 47 37-01 | KNOB                 |        | 1       |
| 725 24 53-51 | SCREW EHHM           |        | 1       |
| 725 24 57-51 | SCREW                |        | 1       |
| 725 24 57-51 | SCREW                |        | 1       |
| 725 24 61-51 | SCREW EHHM           |        | 1       |
| 725 24 62-51 | SCREW EHHM           |        | 1       |
| 732 21 14-01 | LOCK NUT             |        | 1       |
| 732 21 14-01 | LOCK NUT             |        | 1       |
| 732 21 18-01 | LOCK NUT             |        | 1       |
| 732 21 18-01 | LOCK NUT             |        | 1       |
| 732 21 18-01 | LOCK NUT             |        | 1       |
| 732 21 18-01 | LOCK NUT             |        | 1       |
| 732 21 18-01 | LOCK NUT             |        | 1       |
| 734 11 64-01 | WASHER               |        | 1       |
| 734 11 64-01 | WASHER               |        | 1       |
| 735 31 09-20 | E-CLIP               |        | 1       |

**F** \*compl 506 93 24-01

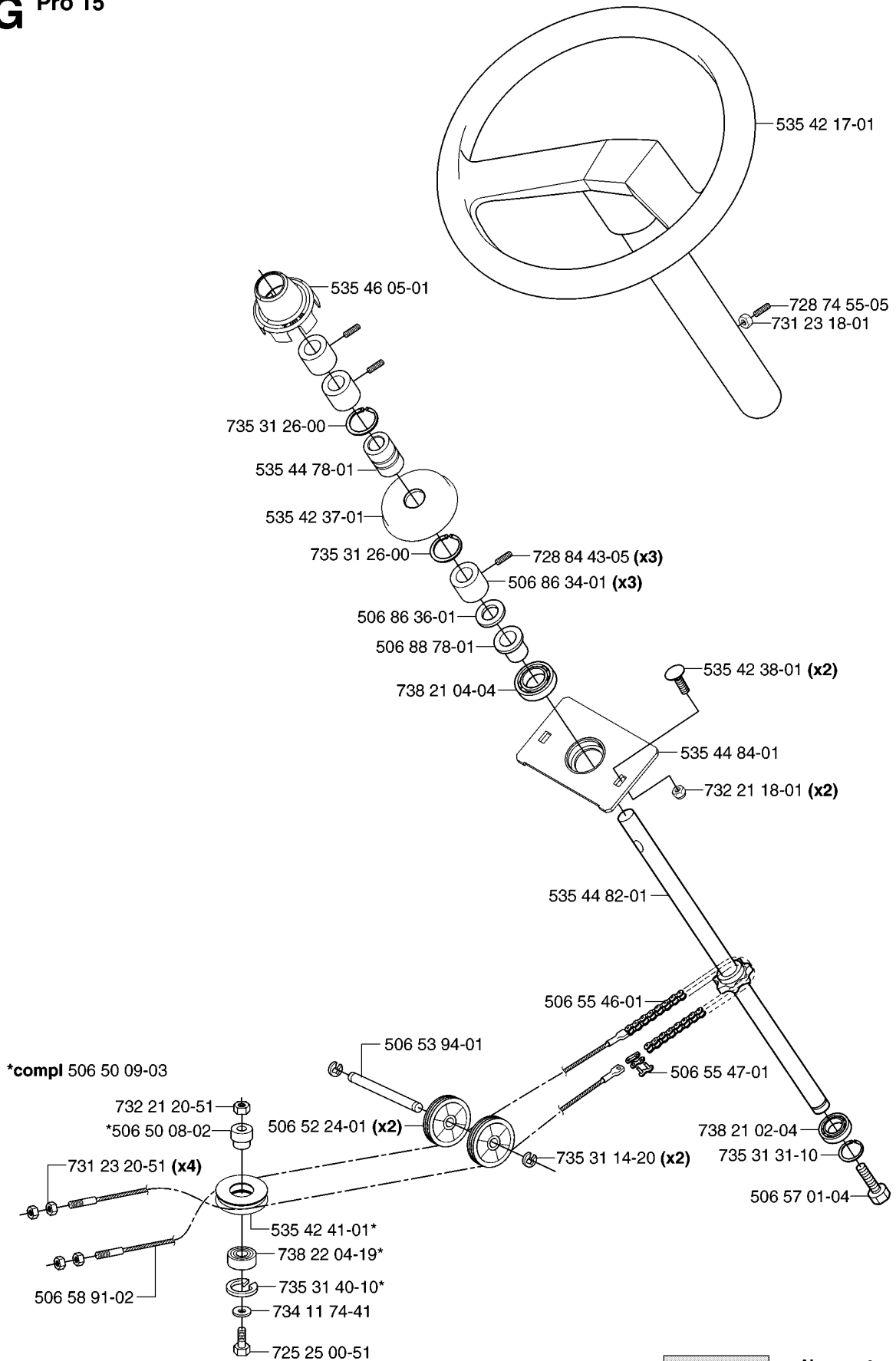


## AIR FILTER

RIDER PRO 15, 953535001, 2004-01

| Part No      | Description         | Remark | QTY KIT |
|--------------|---------------------|--------|---------|
| 503 44 67-01 | FILTER HOLDER       |        | 1       |
| 503 44 68-01 | SPRING              |        | 4       |
| 503 44 69-01 | FILTER HOLDER       |        | 1       |
| 503 44 71-02 | GASKET              |        | 1       |
| 503 44 71-02 | GASKET              |        | 1       |
| 503 44 72-01 | AIR FILTER          |        | 1       |
| 506 93 05-01 | CONNECTION          |        | 1       |
| 506 93 22-01 | MUFFLER             |        | 1       |
| 506 93 24-01 | FILTER              |        | 1       |
| 725 52 89-55 | SCREW IHSCM         |        | 4       |
| 732 25 12-01 | HEXAGON LOCKING NUT |        | 2       |

**G Pro 15**



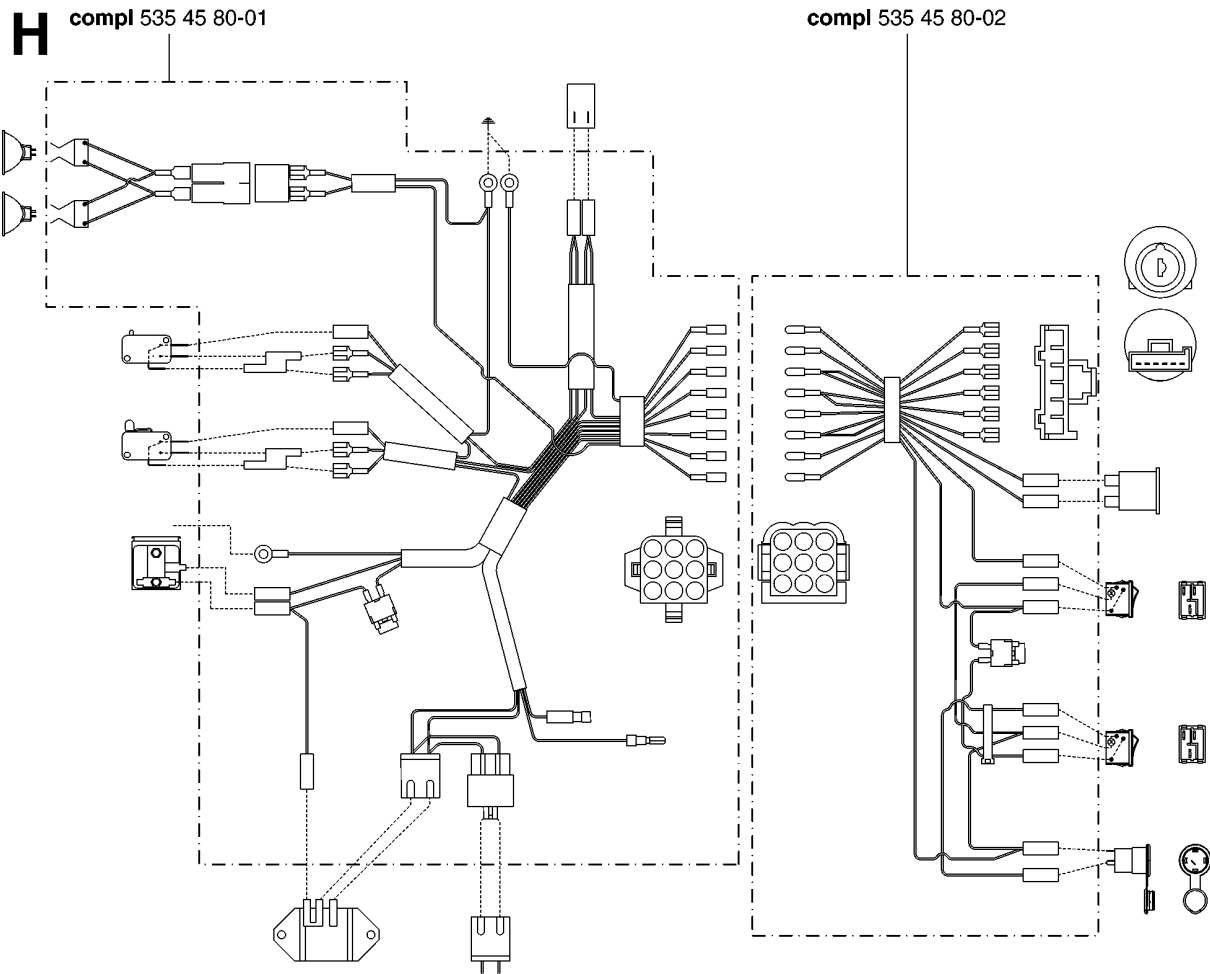
**xxx xx xx-xx = New part,  
Neues teil,  
Nouvelle piece  
Nueva pieza,  
Ny detalj**

## STEERING

RIDER PRO 15, 953535001, 2004-01

| Part No      | Description       | Remark | QTY KIT |
|--------------|-------------------|--------|---------|
| 506 50 08-02 | BUSHING           |        | 1       |
| 506 50 09-03 | BARRING WHEEL     |        | 1       |
| 506 52 24-01 | STARTER PULLEY    |        | 2       |
| 506 53 94-01 | SHAFT             |        | 1       |
| 506 55 46-01 | CHAIN             |        | 1       |
| 506 55 47-01 | LINKAGE           |        | 1       |
| 506 57 01-04 | SCREW EHHFM       |        | 1       |
| 506 58 91-02 | WIRE ASSY         |        | 1       |
| 506 86 34-01 | DRIVER            |        | 3       |
| 506 86 36-01 | WASHER            |        | 1       |
| 506 88 78-01 | SPACER            |        | 1       |
| 535 42 17-01 | STEERING WHEEL    |        | 1       |
| 535 42 37-01 | BELLOWS           |        | 1       |
| 535 42 38-01 | SCREW RSQM        |        | 2       |
| 535 42 41-01 | BARRING WHEEL     |        | 1       |
| 535 44 78-01 | DRIVER            |        | 1       |
| 535 44 82-01 | ROD STEERING ASSY |        | 1       |
| 535 44 84-01 | BEARING CAGE      |        | 1       |
| 535 46 05-01 | SEALING           |        | 1       |
| 725 25 00-51 | SCREW EHHM        |        | 1       |
| 728 74 55-05 | SCREW IHSETM      |        | 1       |
| 728 84 43-05 | SCREW IHSETM      |        | 3       |
| 731 23 18-01 | HEXAGON NUT       |        | 1       |
| 731 23 20-51 | HEXAGON NUT       |        | 4       |
| 732 21 18-01 | LOCK NUT          |        | 2       |
| 732 21 20-51 | NUT               |        | 1       |
| 734 11 74-41 | WASHER            |        | 1       |
| 735 31 14-20 | E-CLIP            |        | 2       |
| 735 31 26-00 | CIRCLIP           |        | 1       |
| 735 31 26-00 | CIRCLIP           |        | 1       |
| 735 31 31-10 | CIRCLIP           |        | 1       |
| 735 31 40-10 | CIRCLIP           |        | 1       |
| 738 21 02-04 | BALL BEARING      |        | 1       |
| 738 21 04-04 | BALL BEARING      |        | 1       |
| 738 22 04-19 | BALL BEARING      |        | 1       |

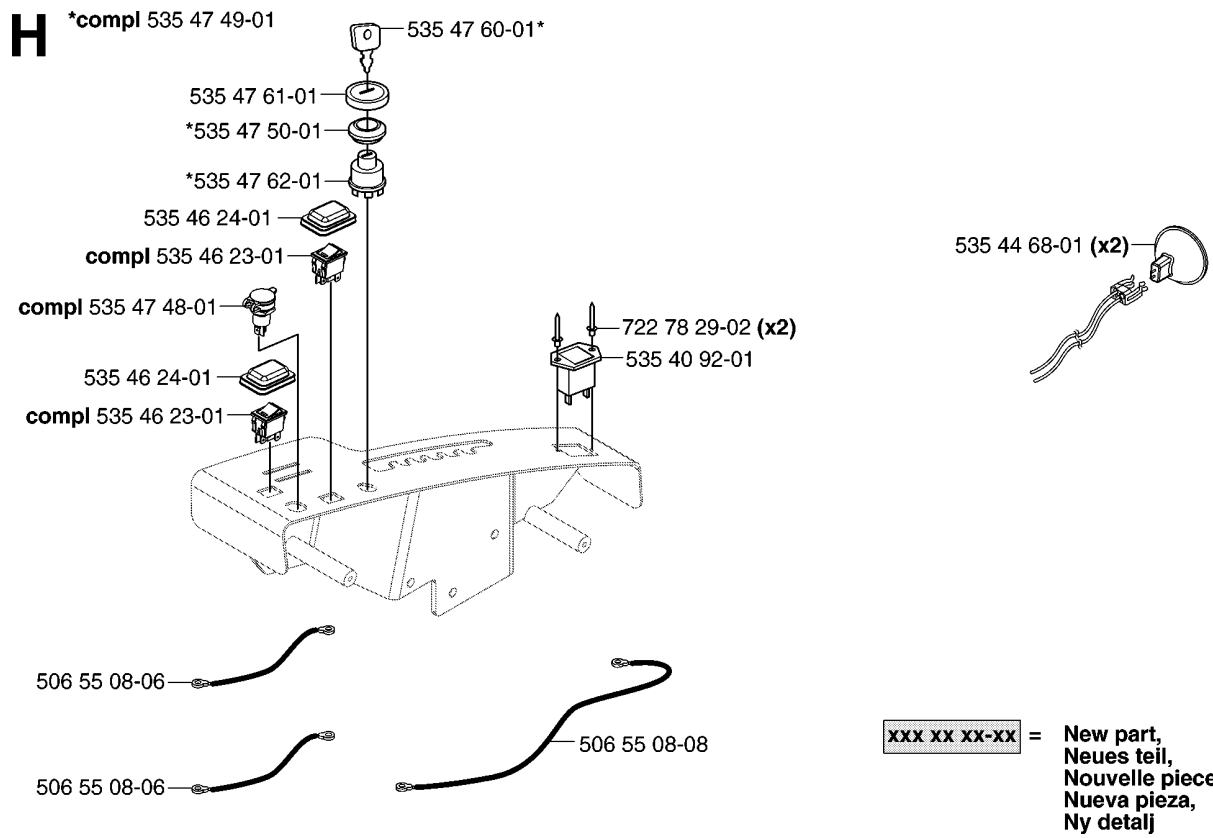




WIRING HARNESS

RIDER PRO 15, 953535001, 2004-01

| Part No      | Description | Remark | QTY KIT |
|--------------|-------------|--------|---------|
| 535 45 80-01 | WIRING      |        | 1       |
| 535 45 80-02 | WIRING      |        | 1       |

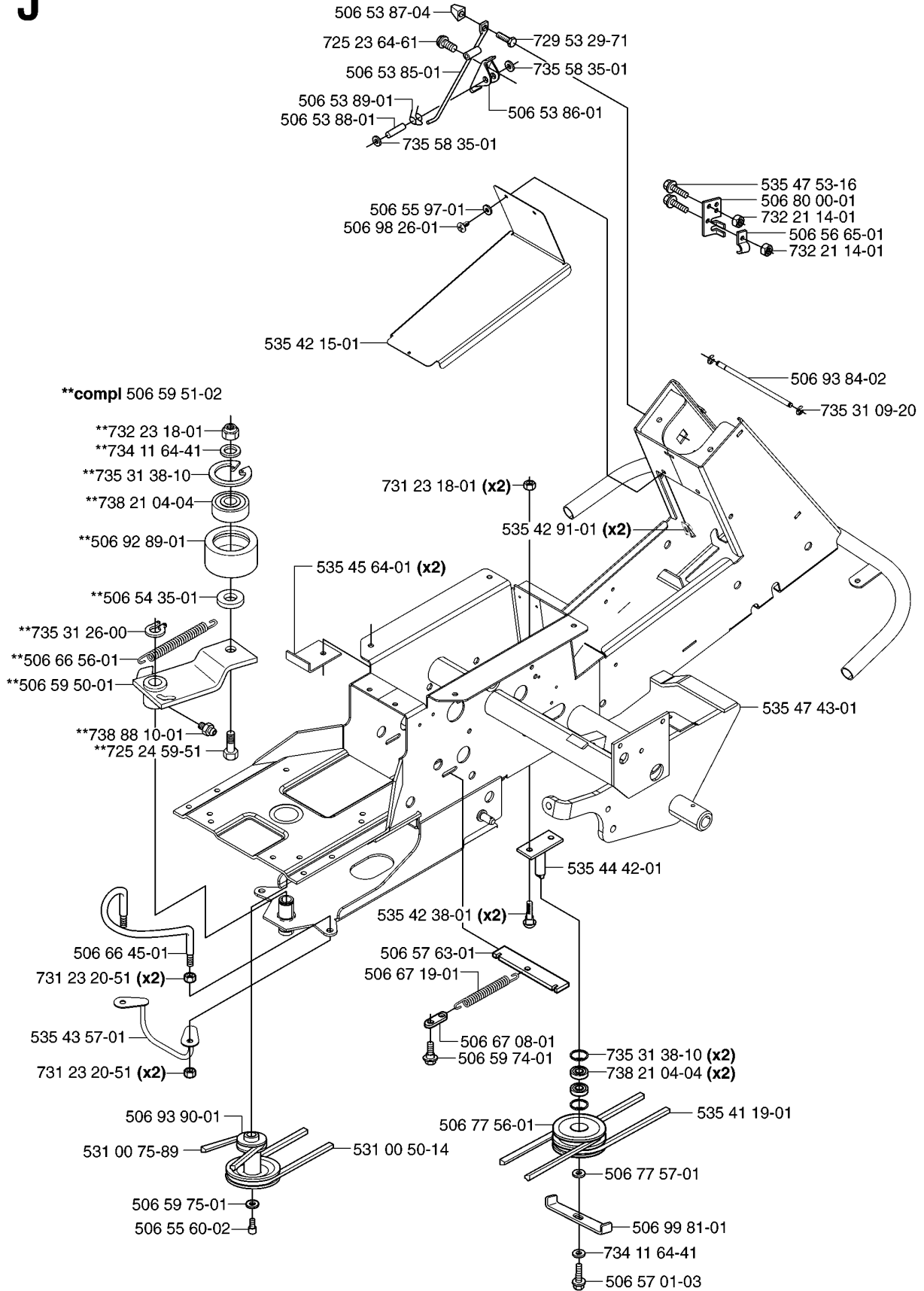


## ELECTRICAL

RIDER PRO 15, 953535001, 2004-01

| Part No      | Description          | Remark | QTY KIT |
|--------------|----------------------|--------|---------|
| 506 55 08-06 | STARTKABEL BATT-RELÄ |        | 1       |
| 506 55 08-06 | STARTKABEL BATT-RELÄ |        | 1       |
| 506 55 08-08 | STARTKABEL BATT-MOTO |        | 1       |
| 535 40 92-01 | HOUR METER           |        | 1       |
| 535 44 68-01 | LAMP                 |        | 2       |
| 535 46 23-01 | SWITCH               |        | 1       |
| 535 46 23-01 | SWITCH               |        | 1       |
| 535 46 24-01 | SHIELDING MEDIUM     |        | 1       |
| 535 46 24-01 | SHIELDING MEDIUM     |        | 1       |
| 535 47 48-01 | POWER SOCKET         |        | 1       |
| 535 47 49-01 | KEY SWITCH           |        | 1       |
| 535 47 50-01 | WASHER               |        | 1       |
| 535 47 60-01 | IGNITION KEY         |        | 1       |
| 535 47 61-01 | NUT                  |        | 1       |
| 535 47 62-01 | IGNITION LOCK        |        | 1       |
| 722 78 29-02 | BLIND RIVET          |        | 2       |

**J**



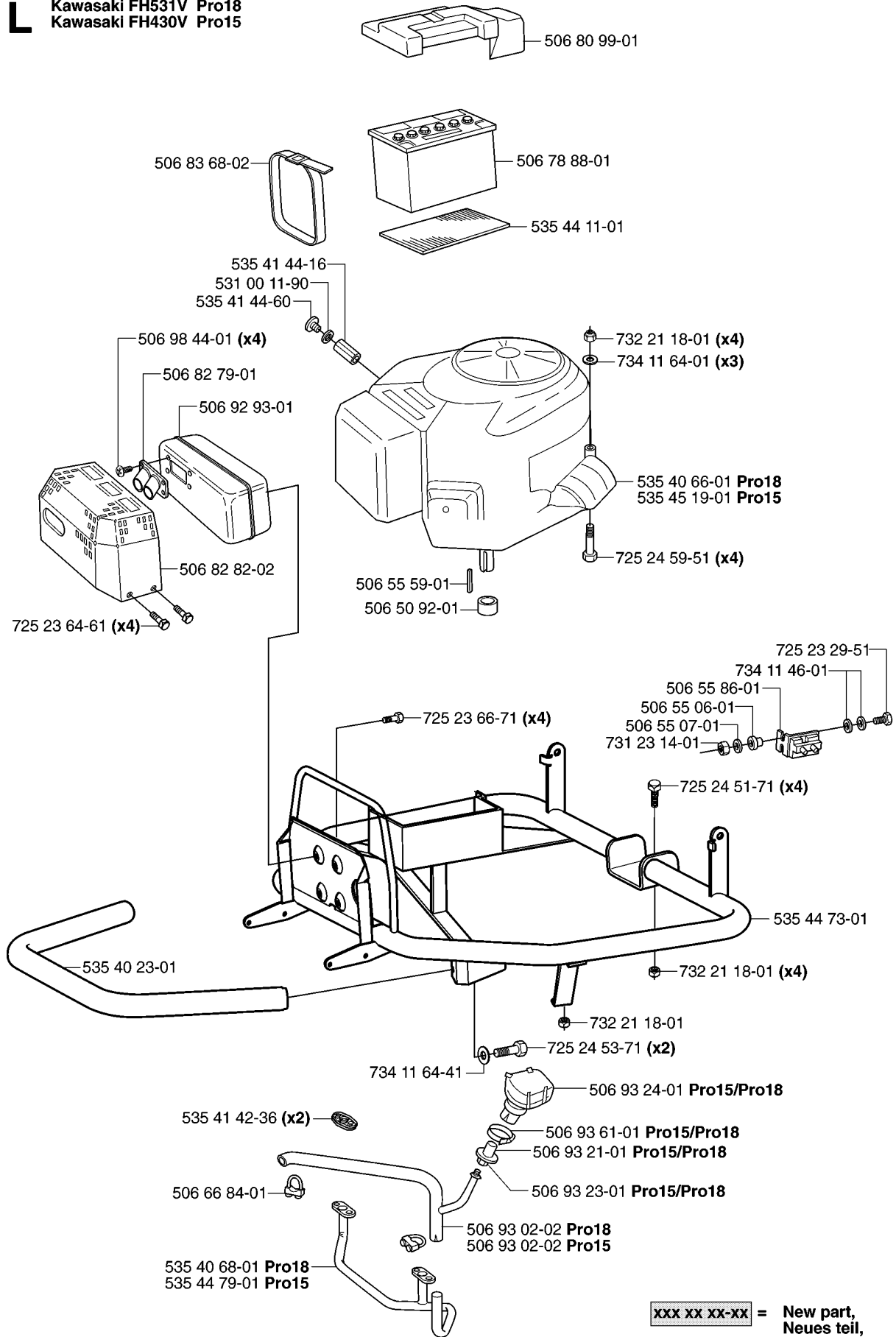
**xxx xx xx-xx =**  
 New part,  
 Neues teil,  
 Nouvelle piece,  
 Nueva pieza,  
 Ny detalj

## CHASSIS / FRAME

RIDER PRO 15, 953535001, 2004-01

| Part No      | Description         | Remark | QTY KIT |
|--------------|---------------------|--------|---------|
| 506 53 85-01 | LOCKING ARM         |        | 1       |
| 506 53 86-01 | BRACKET             |        | 1       |
| 506 53 87-04 | CONTROL BUTTON      |        | 1       |
| 506 53 88-01 | SHAFT               |        | 1       |
| 506 53 89-01 | SPRING              |        | 1       |
| 506 54 35-01 | BUSHING             |        | 1       |
| 506 55 60-02 | SCREW UNC           |        | 1       |
| 506 55 97-01 | WASHER              |        | 1       |
| 506 56 65-01 | CLIP                |        | 1       |
| 506 57 01-03 | SCREW EHHFM         |        | 1       |
| 506 57 63-01 | SPRING RETAINER     |        | 1       |
| 506 59 50-01 | LEVER               |        | 1       |
| 506 59 51-02 | REMSP. KNIVDRIVNING |        | 1       |
| 506 59 74-01 | SCREW EHHFM         |        | 1       |
| 506 59 75-01 | WASHER              |        | 1       |
| 506 66 45-01 | BELT GUIDE          |        | 1       |
| 506 66 56-01 | SPRING              |        | 1       |
| 506 67 08-01 | LINK                |        | 1       |
| 506 67 19-01 | SPRING              |        | 1       |
| 506 77 56-01 | MELLANHJUL          |        | 1       |
| 506 77 57-01 | WASHER              |        | 1       |
| 506 80 00-01 | BRACKET             |        | 1       |
| 506 92 89-01 | PULLEY              |        | 1       |
| 506 93 84-02 | SHAFT               |        | 1       |
| 506 93 90-01 | PULLEY              |        | 1       |
| 506 98 26-01 | SCREW               |        | 1       |
| 506 99 81-01 | BELT GUIDE          |        | 1       |
| 531 00 50-14 | BELT                |        | 1       |
| 531 00 75-89 | BELT                |        | 1       |
| 535 42 15-01 | LOCK GOLVTUNNEL     |        | 1       |
| 535 42 38-01 | SCREW RSQM          |        | 2       |
| 535 42 91-01 | SPRING NUT          |        | 2       |
| 535 43 57-01 | HOSE CLIP           |        | 1       |
| 535 44 42-01 | MELLANLAGRING KPL   |        | 1       |
| 535 45 64-01 | STOP                |        | 2       |
| 535 47 43-01 | FRAME               |        | 1       |
| 535 47 53-16 | SCREW EHHFM         |        | 1       |
| 594 97 80-01 | BELT                |        | 1       |
| 725 23 64-61 | SCREW EHHFT         |        | 1       |
| 725 24 59-51 | SCREW EHHM          |        | 1       |
| 729 53 29-71 | SCREW CRPANT        |        | 1       |
| 731 23 18-01 | HEXAGON NUT         |        | 2       |
| 731 23 20-51 | HEXAGON NUT         |        | 2       |
| 731 23 20-51 | HEXAGON NUT         |        | 2       |
| 732 21 14-01 | LOCK NUT            |        | 1       |
| 732 21 14-01 | LOCK NUT            |        | 1       |
| 732 23 18-01 | LOCKNUT             |        | 1       |
| 734 11 64-41 | WASHER              |        | 1       |
| 734 11 64-41 | WASHER              |        | 1       |
| 735 31 09-20 | E-CLIP              |        | 1       |
| 735 31 26-00 | CIRCLIP             |        | 1       |
| 735 31 38-10 | CIRCLIP             |        | 1       |
| 735 31 38-10 | CIRCLIP             |        | 2       |
| 735 58 35-01 | WASHER              |        | 1       |
| 735 58 35-01 | WASHER              |        | 1       |
| 738 21 04-04 | BALL BEARING        |        | 2       |
| 738 21 04-04 | BALL BEARING        |        | 1       |
| 738 88 10-01 | LUBRICATION NIPPLE  |        | 1       |

**L** Kawasaki FH531V Pro18  
Kawasaki FH430V Pro15



**xxx xx xx-xx = New part,  
Neues teil,  
Nouvelle piece,  
Nueva pieza,  
Ny detalj**

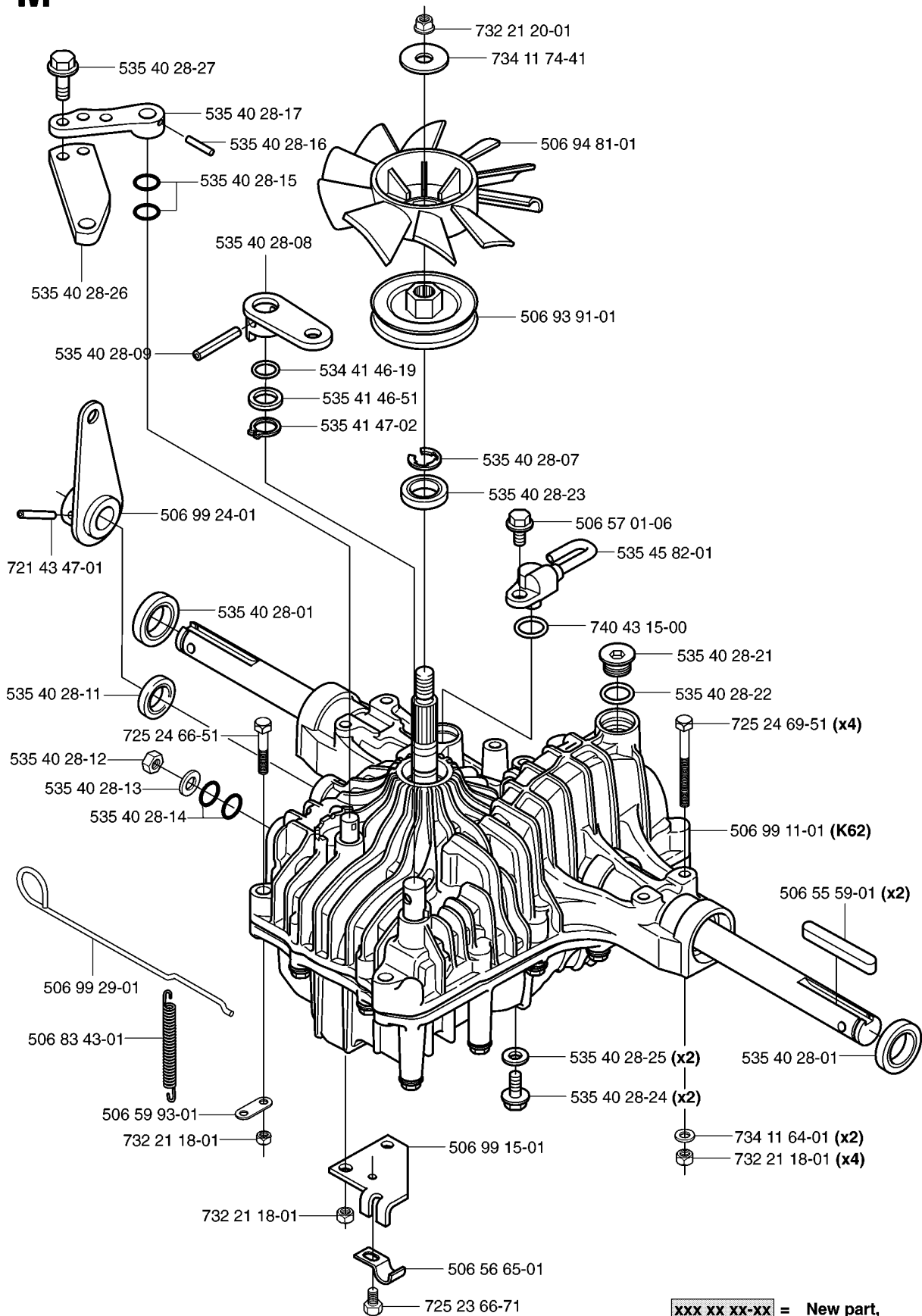
## ENGINE

RIDER PRO 15, 953535001, 2004-01

| Part No      | Description        | Remark | QTY KIT |
|--------------|--------------------|--------|---------|
| 506 50 92-01 | SPACING SLEEVE     |        | 1       |
| 506 55 06-01 | PLUG               |        | 1       |
| 506 55 07-01 | INSULATING WASHER  |        | 1       |
| 506 55 59-01 | WEDGE              |        | 1       |
| 506 55 86-01 | RELAY              |        | 1       |
| 506 66 84-01 | CLAMP ASSY         |        | 1       |
| 506 78 88-01 | BATTERY            |        | 1       |
| 506 80 99-01 | BATTERY COVER      |        | 1       |
| 506 82 79-01 | DEFLECTOR          |        | 1       |
| 506 82 82-02 | BRÄNNSKYDD KPL CAT |        | 1       |
| 506 83 68-02 | BELT               |        | 1       |
| 506 92 93-01 | MUFFLER            |        | 1       |
| 506 93 02-02 | EXHAUST PIPE ASSY  |        | 1       |
| 506 93 02-02 | EXHAUST PIPE ASSY  |        | 1       |
| 506 93 21-01 | HOSE               |        | 1       |
| 506 93 23-01 | VALVE              |        | 1       |
| 506 93 24-01 | FILTER             |        | 1       |
| 506 93 61-01 | CLIP               |        | 1       |
| 506 98 44-01 | SCREW              |        | 4       |
| 531 00 11-90 | O-RING             |        | 1       |
| 535 40 23-01 | HAND GUARD         |        | 1       |
| 535 40 66-01 | MOTOR              |        | 1       |
| 535 40 68-01 | GRENÖR KPL.        |        | 1       |
| 535 41 42-36 | GASKET             |        | 2       |
| 535 41 44-16 | JOINT              |        | 1       |
| 535 41 44-60 | PLUG               |        | 1       |
| 535 44 11-01 | BATTERY MAT        |        | 1       |
| 535 44 73-01 | ENGINE FRAME       |        | 1       |
| 535 44 79-01 | GRENÖR KPL.        |        | 1       |
| 535 45 19-01 | MOTOR              |        | 1       |
| 725 23 29-51 | SCREW              |        | 1       |
| 725 23 64-61 | SCREW EHHFT        |        | 4       |
| 725 23 66-71 | SCREW EHHM         |        | 4       |
| 725 24 51-71 | SCREW EHHM         |        | 4       |
| 725 24 53-71 | SCREW EHHM         |        | 2       |
| 725 24 59-51 | SCREW EHHM         |        | 4       |
| 731 23 14-01 | HEXAGON NUT        |        | 1       |
| 732 21 18-01 | LOCK NUT           |        | 1       |
| 732 21 18-01 | LOCK NUT           |        | 4       |
| 732 21 18-01 | LOCK NUT           |        | 4       |
| 734 11 46-01 | WASHER             |        | 1       |
| 734 11 64-01 | WASHER             |        | 3       |
| 734 11 64-41 | WASHER             |        | 1       |



**M** K62 Pro15



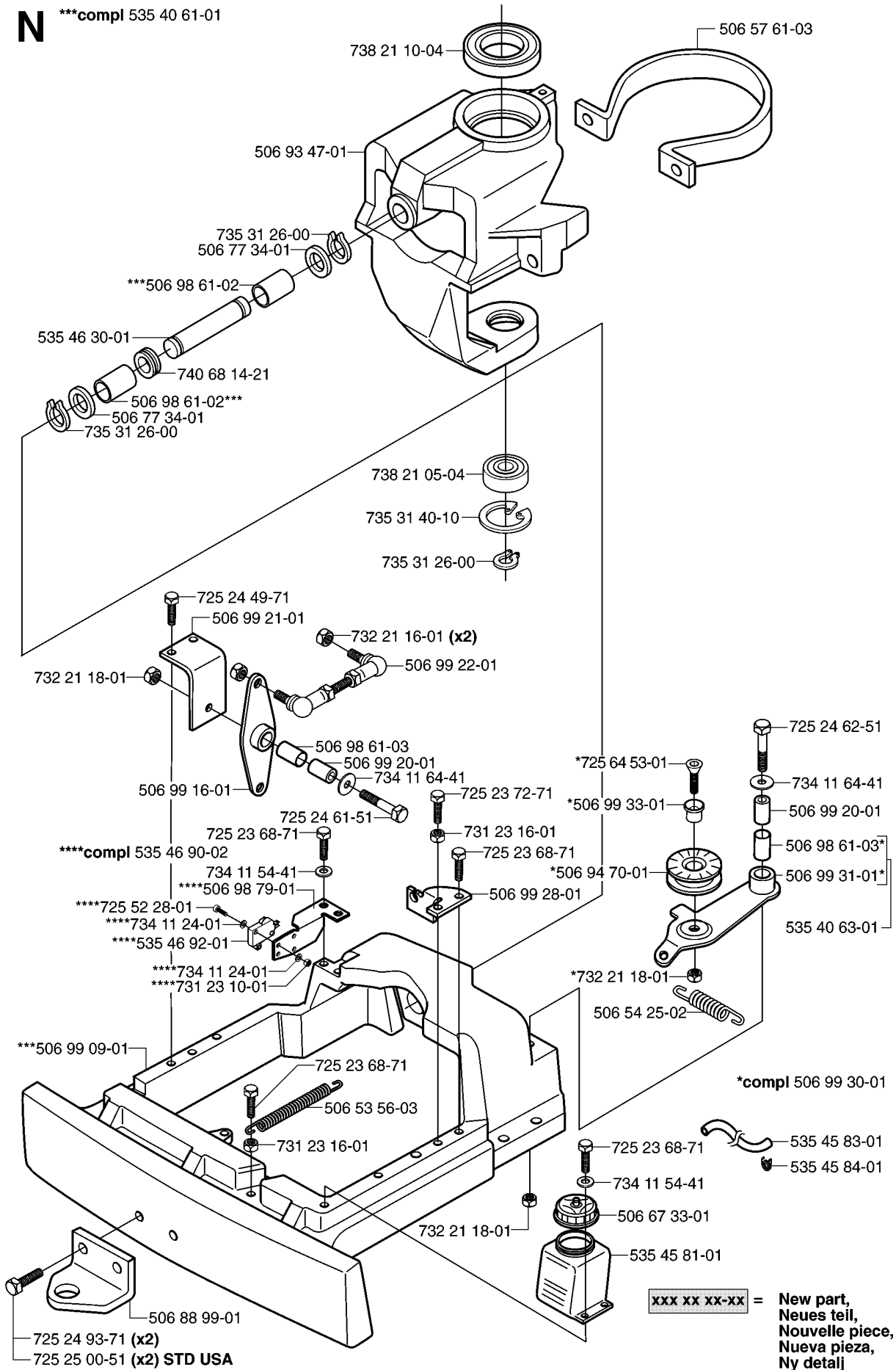
**xxx xx xx-xx = New part,  
Neues teil,  
Nouvelle piece,  
Nueva pieza,  
Ny detalj**

## TRANSMISSION

RIDER PRO 15, 953535001, 2004-01

| Part No      | Description         | Remark | QTY KIT |
|--------------|---------------------|--------|---------|
| 506 55 59-01 | WEDGE               |        | 2       |
| 506 56 65-01 | CLIP                |        | 1       |
| 506 57 01-06 | SCREW EHHFM         |        | 1       |
| 506 59 93-01 | LINK                |        | 1       |
| 506 83 43-01 | SPRING              |        | 1       |
| 506 93 91-01 | PULLEY              |        | 1       |
| 506 94 81-01 | FAN                 |        | 1       |
| 506 99 11-01 | TRANSMISSION        |        | 1       |
| 506 99 15-01 | BRACKET             |        | 1       |
| 506 99 24-01 | LEVER               |        | 1       |
| 506 99 29-01 | FRIKOPPLINGSSTÅNG   |        | 1       |
| 534 41 46-19 | O-RING              |        | 1       |
| 535 40 28-01 | SPRING              |        | 1       |
| 535 40 28-01 | SPRING              |        | 1       |
| 535 40 28-07 | CLIP                |        | 1       |
| 535 40 28-08 | BRAKE LEVER         |        | 1       |
| 535 40 28-09 | PIN RETAINING SCREW |        | 1       |
| 535 40 28-11 | SEALING             |        | 1       |
| 535 40 28-12 | NUT                 |        | 1       |
| 535 40 28-13 | WASHER              |        | 1       |
| 535 40 28-14 | O-RING              |        | 1       |
| 535 40 28-15 | O-RING              |        | 1       |
| 535 40 28-16 | PIN RETAINING SCREW |        | 1       |
| 535 40 28-17 | LEVER               |        | 1       |
| 535 40 28-21 | COVER               |        | 1       |
| 535 40 28-22 | O-RING              |        | 1       |
| 535 40 28-23 | SEALING             |        | 1       |
| 535 40 28-24 | BOLT                |        | 2       |
| 535 40 28-25 | WASHER              |        | 2       |
| 535 40 28-26 | LEVER               |        | 1       |
| 535 40 28-27 | BOLT                |        | 1       |
| 535 41 46-51 | WASHER              |        | 1       |
| 535 41 47-02 | RETAINER RING       |        | 1       |
| 535 45 82-01 | HOSE COUPLING       |        | 1       |
| 721 43 47-01 | SPRING PIN          |        | 1       |
| 725 23 66-71 | SCREW EHHM          |        | 1       |
| 725 24 66-51 | SCREW               |        | 1       |
| 725 24 69-51 | SCREW EHHM          |        | 4       |
| 732 21 18-01 | LOCK NUT            |        | 4       |
| 732 21 18-01 | LOCK NUT            |        | 1       |
| 732 21 18-01 | LOCK NUT            |        | 1       |
| 732 21 20-01 | LOCK NUT            |        | 1       |
| 734 11 64-01 | WASHER              |        | 2       |
| 734 11 74-41 | WASHER              |        | 1       |
| 740 43 15-00 | O-RING              |        | 1       |

**N** \*\*\*compl 535 40 61-01



## STEERING COLUMN

RIDER PRO 15, 953535001, 2004-01

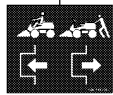
| Part No      | Description          | Remark | QTY KIT |
|--------------|----------------------|--------|---------|
| 506 53 56-03 | DRAW SPRING          |        | 1       |
| 506 54 25-02 | SPRING               |        | 1       |
| 506 57 61-03 | STYRKANS             |        | 1       |
| 506 67 33-01 | TANK CAP ASSY        |        | 1       |
| 506 77 34-01 | WASHER               |        | 1       |
| 506 77 34-01 | WASHER               |        | 1       |
| 506 88 99-01 | HITCH                |        | 1       |
| 506 93 47-01 | SPINDLE              |        | 1       |
| 506 94 70-01 | BELT TENSIONER WHEEL |        | 1       |
| 506 98 61-02 | GLIDLAGER            |        | 1       |
| 506 98 61-02 | GLIDLAGER            |        | 1       |
| 506 98 61-03 | BUSHING              |        | 1       |
| 506 98 61-03 | BUSHING              |        | 1       |
| 506 98 79-01 | BRACKET              |        | 1       |
| 506 99 09-01 | HST-KONSOL K62/66    |        | 1       |
| 506 99 16-01 | LEVER                |        | 1       |
| 506 99 20-01 | PIPE                 |        | 1       |
| 506 99 20-01 | PIPE                 |        | 1       |
| 506 99 21-01 | LEVER                |        | 1       |
| 506 99 22-01 | ADJUSTMENT ROD       |        | 1       |
| 506 99 28-01 | BRACKET              |        | 1       |
| 506 99 30-01 | BELT TENSIONER ASSY  |        | 1       |
| 506 99 31-01 | BELT TENSIONER ASSY  |        | 1       |
| 506 99 33-01 | SLEEVE               |        | 1       |
| 535 40 63-01 | BELT TENSIONER ASSY  |        | 1       |
| 535 45 81-01 | EXPANSION TANK       |        | 1       |
| 535 45 83-01 | HOSE                 |        | 1       |
| 535 45 84-01 | HOSE CLAMP           |        | 1       |
| 535 46 30-01 | SWING AXLE           |        | 1       |
| 535 46 90-02 | SWITCH               |        | 1       |
| 535 46 92-01 | SWITCH               |        | 1       |
| 725 23 68-71 | SCREW EHHM           |        | 1       |
| 725 23 68-71 | SCREW EHHM           |        | 1       |
| 725 23 68-71 | SCREW EHHM           |        | 1       |
| 725 23 68-71 | SCREW EHHM           |        | 1       |
| 725 23 72-71 | SCREW EHHM           |        | 1       |
| 725 24 49-71 | SCREW EHHM           |        | 1       |
| 725 24 61-51 | SCREW EHHM           |        | 1       |
| 725 24 62-51 | SCREW EHHM           |        | 1       |
| 725 24 93-71 | SCREW EHHM           |        | 2       |
| 725 25 00-51 | SCREW EHHM           |        | 2       |
| 725 52 28-01 | SCREW IHSCM          |        | 1       |
| 725 64 53-01 | SCREW IHCSFM         |        | 1       |
| 731 23 10-01 | HEXAGON NUT          |        | 1       |
| 731 23 16-01 | HEXAGON NUT          |        | 1       |
| 731 23 16-01 | HEXAGON NUT          |        | 1       |
| 732 21 16-01 | LOCK NUT             |        | 2       |
| 732 21 18-01 | LOCK NUT             |        | 1       |
| 732 21 18-01 | LOCK NUT             |        | 1       |
| 732 21 18-01 | LOCK NUT             |        | 1       |
| 734 11 24-01 | WASHER               |        | 1       |
| 734 11 24-01 | WASHER               |        | 1       |
| 734 11 54-41 | WASHER               |        | 1       |
| 734 11 54-41 | WASHER               |        | 1       |
| 734 11 64-41 | WASHER               |        | 1       |
| 734 11 64-41 | WASHER               |        | 1       |
| 735 31 26-00 | CIRCLIP              |        | 1       |
| 735 31 26-00 | CIRCLIP              |        | 1       |
| 735 31 26-00 | CIRCLIP              |        | 1       |
| 735 31 40-10 | CIRCLIP              |        | 1       |
| 738 21 05-04 | BALL BEARING         |        | 1       |
| 738 21 10-04 | BALL BEARING         |        | 1       |
| 740 68 14-21 | V-RING               |        | 1       |

**P**

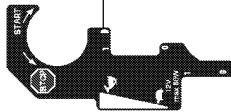
506 96 83-01



506 94 47-01



535 47 67-01



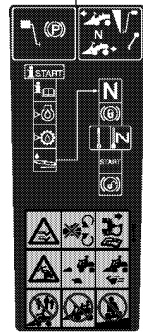
506 99 96-01



535 43 20-01



**Warning**  
506 94 48-01



535 41 31-01



506 58 45-01



506 89 33-01



506 89 34-01



535 45 87-01



535 44 99-01



506 89 35-01



535 45 01-01 (x2)



535 45 73-04



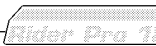
535 45 72-03



535 45 01-01 (x2)



535 45 72-02



535 45 72-01

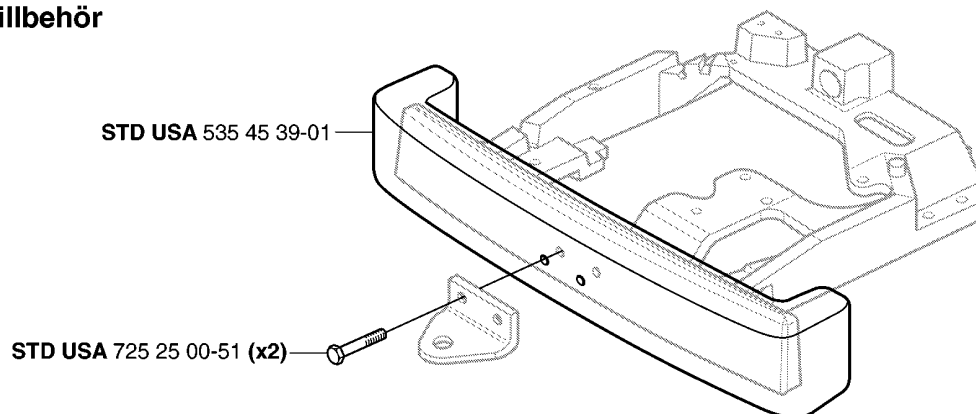


## DECALS

RIDER PRO 15, 953535001, 2004-01

| Part No      | Description          | Remark | QTY KIT |
|--------------|----------------------|--------|---------|
| 506 58 45-01 | LABEL                |        | 1       |
| 506 89 33-01 | DECAL                |        | 1       |
| 506 89 34-01 | DECAL                |        | 1       |
| 506 89 35-01 | DECAL                |        | 1       |
| 506 94 47-01 | HYDROSTATIC LABEL    |        | 1       |
| 506 94 48-01 | LABEL                |        | 1       |
| 506 96 83-01 | DECAL                |        | 1       |
| 506 99 96-01 | LABEL                |        | 1       |
| 535 41 31-01 | LABEL                |        | 1       |
| 535 43 20-01 | DECAL                |        | 1       |
| 535 44 99-01 | DECAL                |        | 1       |
| 535 45 01-01 | DECAL                |        | 2       |
| 535 45 01-01 | DECAL                |        | 2       |
| 535 45 72-01 | STRIPES MOTORKÁPA V. |        | 1       |
| 535 45 72-02 | STRIPES MOTORKÁPA H. |        | 1       |
| 535 45 72-03 | STRIPES MOTORKÁPA V. |        | 1       |
| 535 45 73-04 | LABEL                |        | 1       |
| 535 45 87-01 | LABEL                |        | 1       |
| 535 47 67-01 | CONTROL LABEL        |        | 1       |

**Q** Accessories  
Zubehöre  
Accessoires  
Acessorios  
Tillbehör



**xxx xx xx-xx** = New part,  
Neues teil,  
Nouvelle piece,  
Nueva pieza,  
Ny detalj

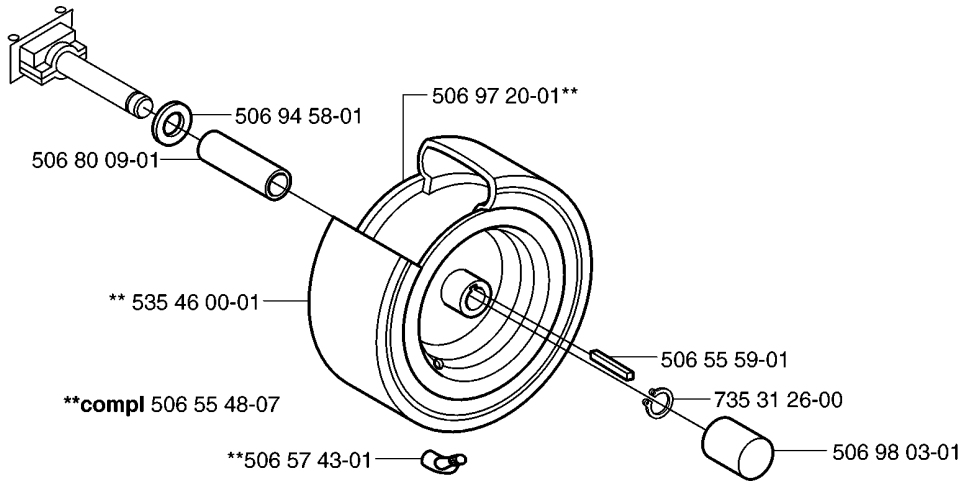
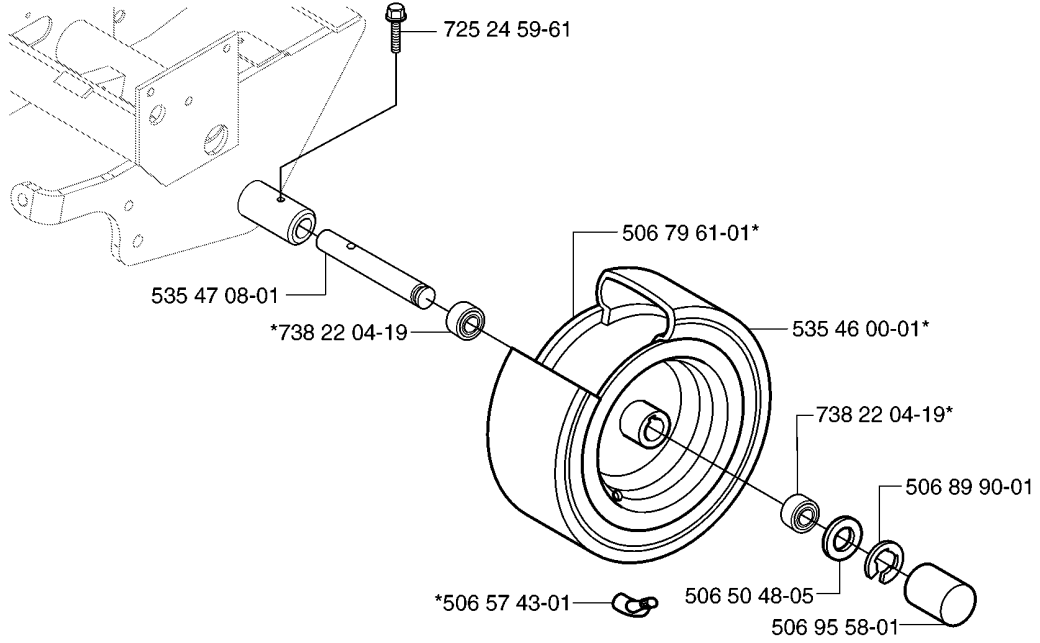
## ACCESSORIES

RIDER PRO 15, 953535001, 2004-01

| Part No      | Description   | Remark | QTY KIT |
|--------------|---------------|--------|---------|
| 535 45 39-01 | COUNTERWEIGHT |        | 1       |
| 725 25 00-51 | SCREW EHHM    |        | 2       |



**R** \*compl 506 55 49-08



New part,  
Neues teil,  
Nouvelle piece,  
Nueva pieza,  
Ny detalj

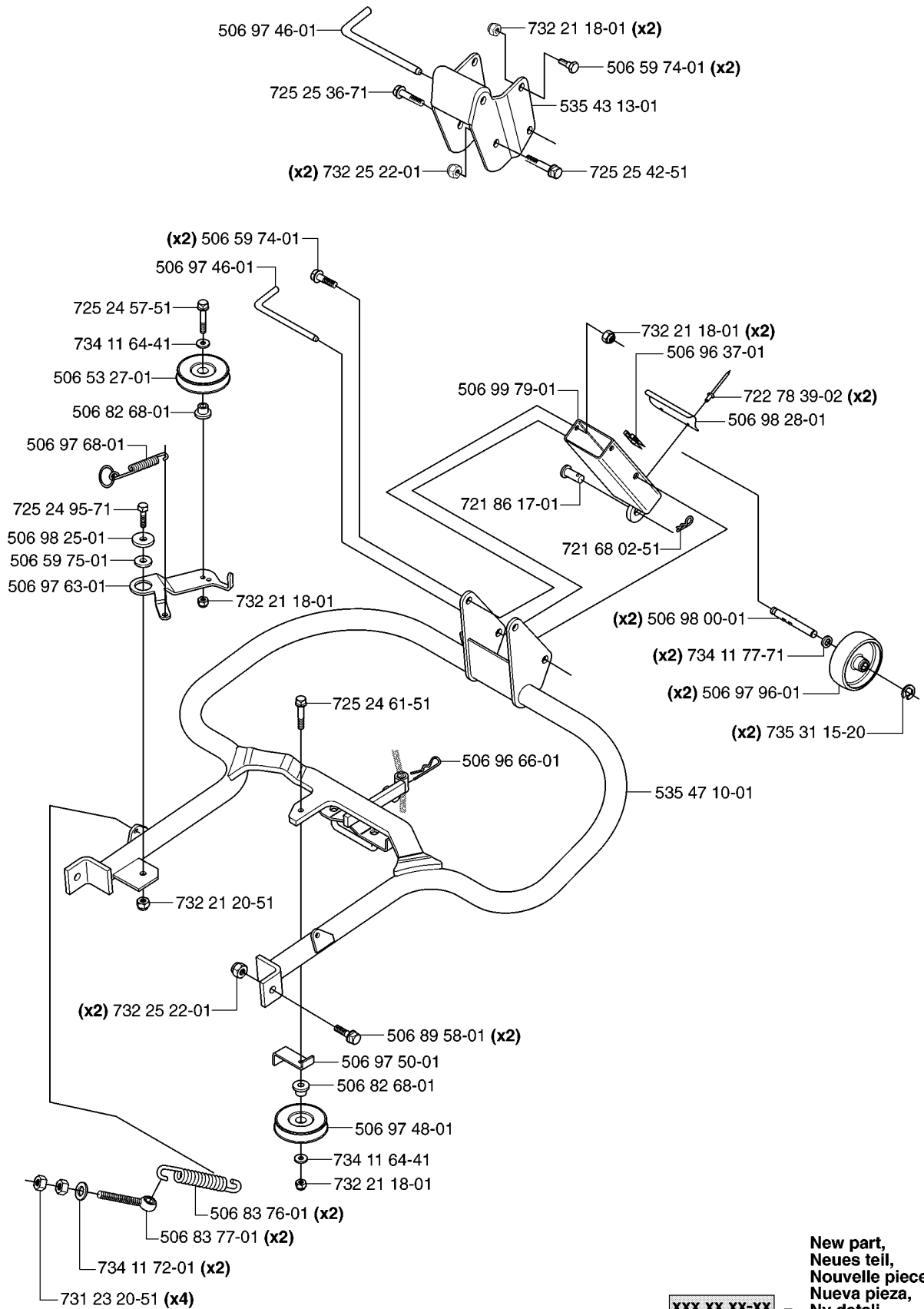
xxx xx xx-xx =

## WHEELS &amp; TIRES

RIDER PRO 15, 953535001, 2004-01

| Part No      | Description  | Remark | QTY KIT |
|--------------|--------------|--------|---------|
| 506 50 48-05 | WASHER       |        | 1       |
| 506 55 48-07 | REAR WHEEL   |        | 1       |
| 506 55 49-08 | WHEEL        |        | 1       |
| 506 55 59-01 | WEDGE        |        | 1       |
| 506 57 43-01 | VALVE ASSY   |        | 1       |
| 506 57 43-01 | VALVE ASSY   |        | 1       |
| 506 79 61-01 | RIM          |        | 1       |
| 506 80 09-01 | SLEEVE       |        | 1       |
| 506 89 90-01 | E-CLIP       |        | 1       |
| 506 94 58-01 | WASHER       |        | 1       |
| 506 95 58-01 | CUP          |        | 1       |
| 506 97 20-01 | RIM          |        | 1       |
| 506 98 03-01 | CUP          |        | 1       |
| 535 46 00-01 | TYRE         |        | 1       |
| 535 46 00-01 | TYRE         |        | 1       |
| 535 47 08-01 | WHEEL AXLE   |        | 1       |
| 725 24 59-61 | SCREW EHHFT  |        | 1       |
| 735 31 26-00 | CIRCLIP      |        | 1       |
| 738 22 04-19 | BALL BEARING |        | 1       |
| 738 22 04-19 | BALL BEARING |        | 1       |

**S**



New part,  
Neues teil,  
Nouvelle piece,  
Nueva pieza,  
Ny detalj

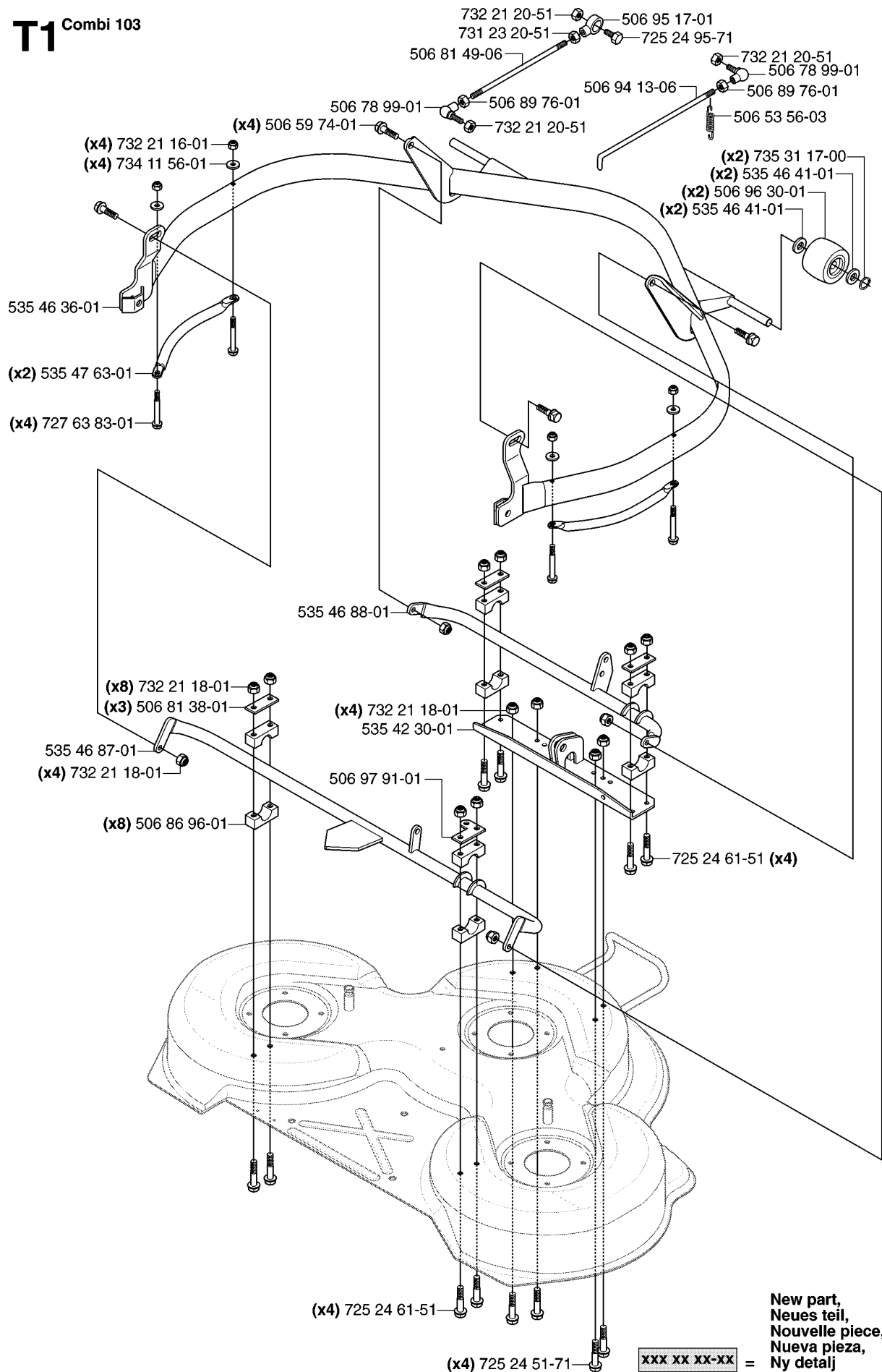
xxx xx xx-xx =

## PROTECTION FRAME

RIDER PRO 15, 953535001, 2004-01

| Part No      | Description          | Remark | QTY KIT |
|--------------|----------------------|--------|---------|
| 506 53 27-01 | PULLEY               |        | 1       |
| 506 59 74-01 | SCREW EHHFM          |        | 2       |
| 506 59 74-01 | SCREW EHHFM          |        | 2       |
| 506 59 75-01 | WASHER               |        | 1       |
| 506 82 68-01 | BUSHING              |        | 1       |
| 506 82 68-01 | BUSHING              |        | 1       |
| 506 83 76-01 | SPRING               |        | 2       |
| 506 83 77-01 | RING BOLT            |        | 2       |
| 506 89 58-01 | COLLAR SCREW         |        | 2       |
| 506 96 37-01 | LÅSDON               |        | 1       |
| 506 96 66-01 | HAIR PIN COTTER      |        | 1       |
| 506 97 46-01 | PEN                  |        | 1       |
| 506 97 46-01 | PEN                  |        | 1       |
| 506 97 48-01 | PULLEY               |        | 1       |
| 506 97 50-01 | BELT GUIDE           |        | 1       |
| 506 97 63-01 | SPÄNNARM             |        | 1       |
| 506 97 68-01 | SPRING               |        | 1       |
| 506 97 96-01 | WHEEL                |        | 2       |
| 506 98 00-01 | SHAFT                |        | 2       |
| 506 98 25-01 | WASHER               |        | 1       |
| 506 98 28-01 | BRACKET              |        | 1       |
| 506 99 79-01 | LINK ASSY            |        | 1       |
| 535 43 13-01 | LÄNKRÖRRSINFÄSTN.KPL |        | 1       |
| 535 47 10-01 | DECK ATTACHMENT ASSY |        | 1       |
| 721 68 02-51 | SPRING COTTER        |        | 1       |
| 721 86 17-01 | CLEVIS PIN           |        | 1       |
| 722 78 39-02 | BLIND RIVET          |        | 2       |
| 725 24 57-51 | SCREW                |        | 1       |
| 725 24 61-51 | SCREW EHHM           |        | 1       |
| 725 24 95-71 | SCREW EHHM           |        | 1       |
| 725 25 36-71 | SCREW EHHM           |        | 1       |
| 725 25 42-51 | SCREW EHHM           |        | 1       |
| 731 23 20-51 | HEXAGON NUT          |        | 4       |
| 732 21 18-01 | LOCK NUT             |        | 1       |
| 732 21 18-01 | LOCK NUT             |        | 2       |
| 732 21 18-01 | LOCK NUT             |        | 2       |
| 732 21 18-01 | LOCK NUT             |        | 1       |
| 732 21 20-51 | NUT                  |        | 1       |
| 732 25 22-01 | HEXAGON LOCKING NUT  |        | 2       |
| 732 25 22-01 | HEXAGON LOCKING NUT  |        | 2       |
| 734 11 64-41 | WASHER               |        | 1       |
| 734 11 64-41 | WASHER               |        | 1       |
| 734 11 72-01 | WASHER               |        | 2       |
| 734 11 77-71 | WASHER               |        | 2       |
| 735 31 15-20 | E-CLIP               |        | 2       |

**T1** Combi 103



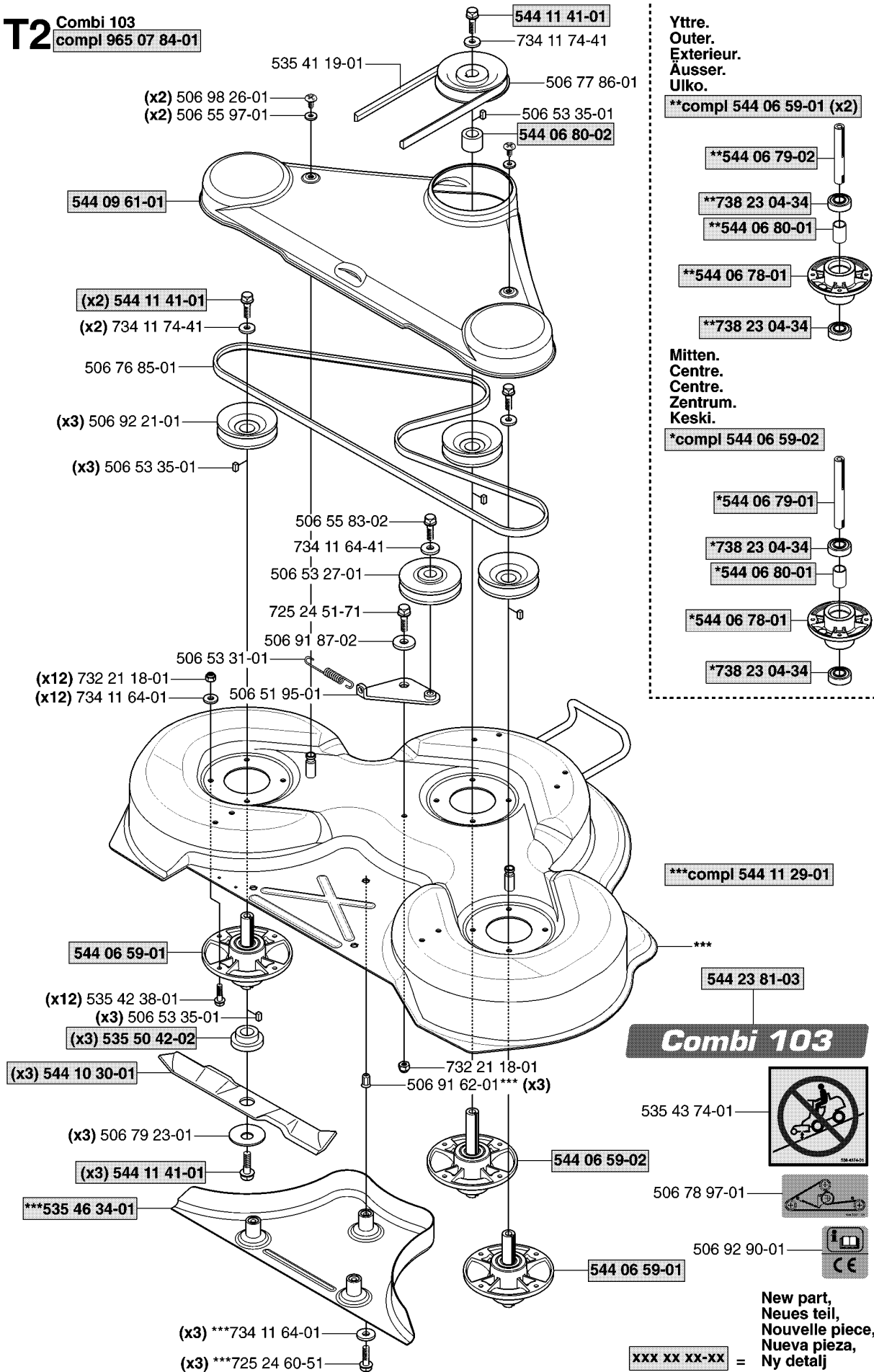
New part,  
Neues teil,  
Nouvelle piece,  
Nueva pieza,  
Ny detalj

## 103CM CUTTING DECK

RIDER PRO 15, 953535001, 2004-01

| Part No      | Description          | Remark | QTY KIT |
|--------------|----------------------|--------|---------|
| 506 53 56-03 | DRAW SPRING          |        | 1       |
| 506 59 74-01 | SCREW EHHFM          |        | 4       |
| 506 78 99-01 | VINKELLÄNK DIN 71802 |        | 1       |
| 506 78 99-01 | VINKELLÄNK DIN 71802 |        | 1       |
| 506 81 38-01 | REINFORCING PLATE    |        | 3       |
| 506 81 49-06 | ROD                  |        | 1       |
| 506 86 96-01 | BEARING              |        | 8       |
| 506 89 76-01 | NUT                  |        | 1       |
| 506 89 76-01 | NUT                  |        | 1       |
| 506 94 13-06 | CONNECTION ROD       |        | 1       |
| 506 95 17-01 | ROD END              |        | 1       |
| 506 96 30-01 | WHEEL ASSY           |        | 2       |
| 506 97 91-01 | SERVICEBRICKA        |        | 1       |
| 535 42 30-01 | BRACKET              |        | 1       |
| 535 46 36-01 | PROTECTIVE TUBING    |        | 1       |
| 535 46 41-01 | WASHER               |        | 2       |
| 535 46 41-01 | WASHER               |        | 2       |
| 535 46 87-01 | REAR CROSS TUBES ASS |        | 1       |
| 535 46 88-01 | FRÄMRE TVÄRRÖR KPL.  |        | 1       |
| 535 47 63-01 | SIDE RAIL            |        | 2       |
| 725 24 51-71 | SCREW EHHM           |        | 4       |
| 725 24 61-51 | SCREW EHHM           |        | 4       |
| 725 24 61-51 | SCREW EHHM           |        | 4       |
| 725 24 95-71 | SCREW EHHM           |        | 1       |
| 727 63 83-01 | SCREW RSQM           |        | 4       |
| 731 23 20-51 | HEXAGON NUT          |        | 1       |
| 732 21 16-01 | LOCK NUT             |        | 4       |
| 732 21 18-01 | LOCK NUT             |        | 4       |
| 732 21 18-01 | LOCK NUT             |        | 8       |
| 732 21 18-01 | LOCK NUT             |        | 4       |
| 732 21 20-51 | NUT                  |        | 1       |
| 732 21 20-51 | NUT                  |        | 1       |
| 732 21 20-51 | NUT                  |        | 1       |
| 734 11 56-01 | WASHER               |        | 4       |
| 735 31 17-00 | CIRCLIP              |        | 2       |

**T2** Combi 103  
compl 965 07 84-01



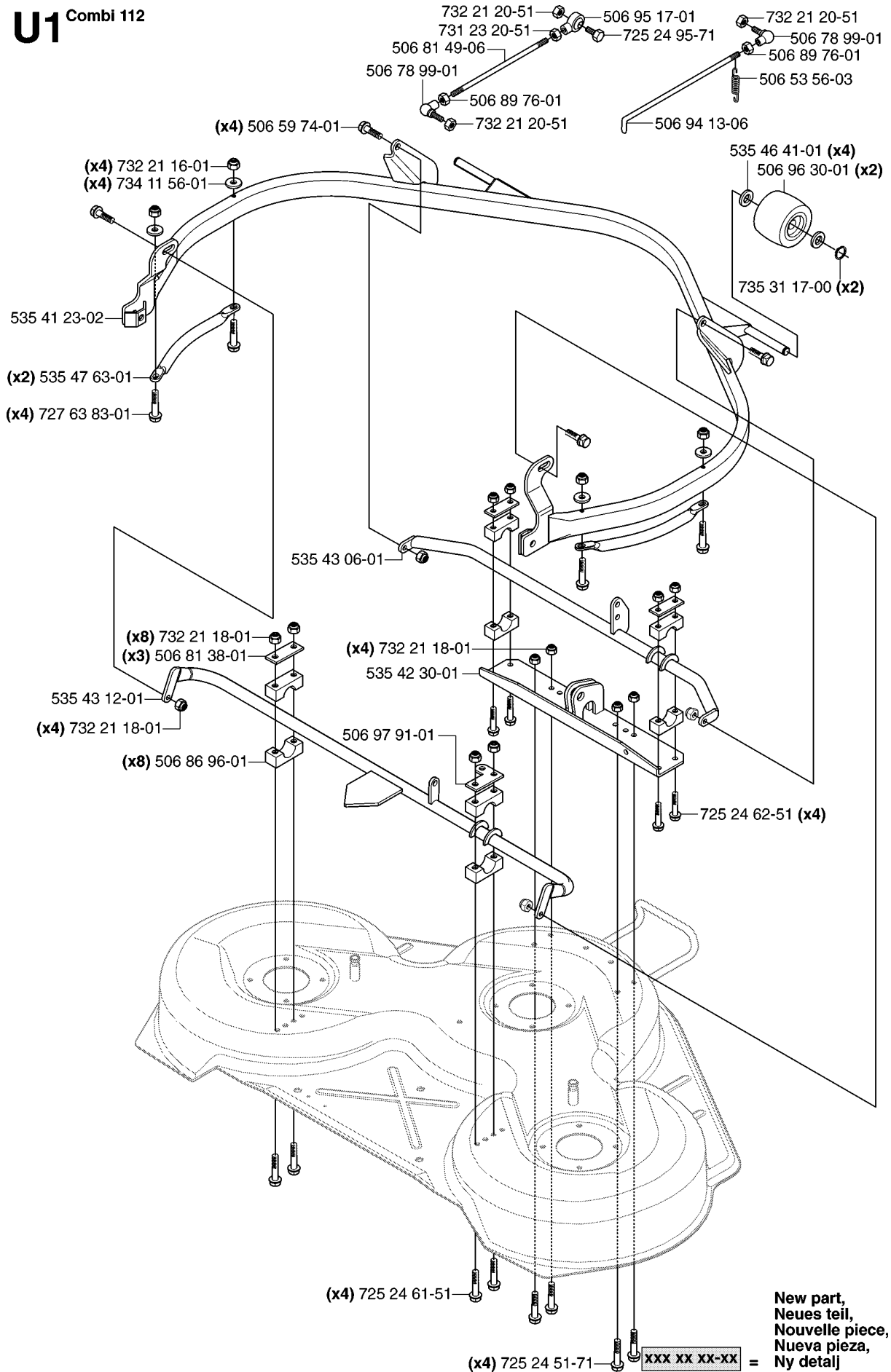
## 103CM CUTTING DECK

RIDER PRO 15, 953535001, 2004-01

| Part No      | Description        | Remark | QTY KIT |
|--------------|--------------------|--------|---------|
| 506 51 95-01 | SPÄNNARM KPL.      |        | 1       |
| 506 53 27-01 | PULLEY             |        | 1       |
| 506 53 31-01 | SPRING             |        | 1       |
| 506 53 35-01 | PARALLEL KEY       |        | 3       |
| 506 53 35-01 | PARALLEL KEY       |        | 1       |
| 506 53 35-01 | PARALLEL KEY       |        | 3       |
| 506 55 83-02 | SCREW EHHFT        |        | 1       |
| 506 55 97-01 | WASHER             |        | 2       |
| 506 76 85-01 | BELT               |        | 1       |
| 506 77 86-01 | PULLEY             |        | 1       |
| 506 78 97-01 | LABEL              |        | 1       |
| 506 79 23-01 | KNIFE PLATE        |        | 3       |
| 506 91 62-01 | NUT                |        | 3       |
| 506 91 87-02 | WASHER             |        | 1       |
| 506 92 21-01 | PULLEY             |        | 3       |
| 506 92 90-01 | LABEL              |        | 1       |
| 506 98 26-01 | SCREW              |        | 2       |
| 535 41 19-01 | BELT               |        | 1       |
| 535 42 38-01 | SCREW RSQM         |        | 12      |
| 535 43 74-01 | LABEL WARNING      |        | 1       |
| 535 46 34-01 | PLUG ASSY          |        | 1       |
| 535 50 42-02 | ADAPTER            |        | 3       |
| 544 06 59-01 | BLADE HOUSING ASSY |        | 1       |
| 544 06 59-01 | BLADE HOUSING ASSY |        | 1       |
| 544 06 59-01 | BLADE HOUSING ASSY |        | 2       |
| 544 06 59-02 | BLADE HOUSING ASSY |        | 1       |
| 544 06 59-02 | BLADE HOUSING ASSY |        | 1       |
| 544 06 78-01 | BEARING HOUSING    |        | 1       |
| 544 06 78-01 | BEARING HOUSING    |        | 1       |
| 544 06 79-01 | SHAFT              |        | 1       |
| 544 06 79-02 | SHAFT              |        | 1       |
| 544 06 80-01 | SPACING SLEEVE     |        | 1       |
| 544 06 80-01 | SPACING SLEEVE     |        | 1       |
| 544 06 80-02 | SPACING SLEEVE     |        | 1       |
| 544 09 61-01 | BELT COVER         |        | 1       |
| 544 10 30-01 | BLADE              |        | 3       |
| 544 11 29-01 | CUTTING DECK       |        | 1       |
| 544 11 41-01 | SCREW EHHM         |        | 2       |
| 544 11 41-01 | SCREW EHHM         |        | 3       |
| 544 11 41-01 | SCREW EHHM         |        | 1       |
| 544 23 81-03 | LABEL              |        | 1       |
| 725 24 51-71 | SCREW EHHM         |        | 1       |
| 725 24 60-51 | SCREW EHHM         |        | 3       |
| 732 21 18-01 | LOCK NUT           |        | 1       |
| 732 21 18-01 | LOCK NUT           |        | 12      |
| 734 11 64-01 | WASHER             |        | 12      |
| 734 11 64-01 | WASHER             |        | 3       |
| 734 11 64-41 | WASHER             |        | 1       |
| 734 11 74-41 | WASHER             |        | 2       |
| 734 11 74-41 | WASHER             |        | 1       |
| 738 23 04-34 | BALL BEARING       |        | 1       |
| 738 23 04-34 | BALL BEARING       |        | 1       |
| 738 23 04-34 | BALL BEARING       |        | 1       |
| 738 23 04-34 | BALL BEARING       |        | 1       |
| 965 07 84-01 | CUTTING DECK       |        | 1       |

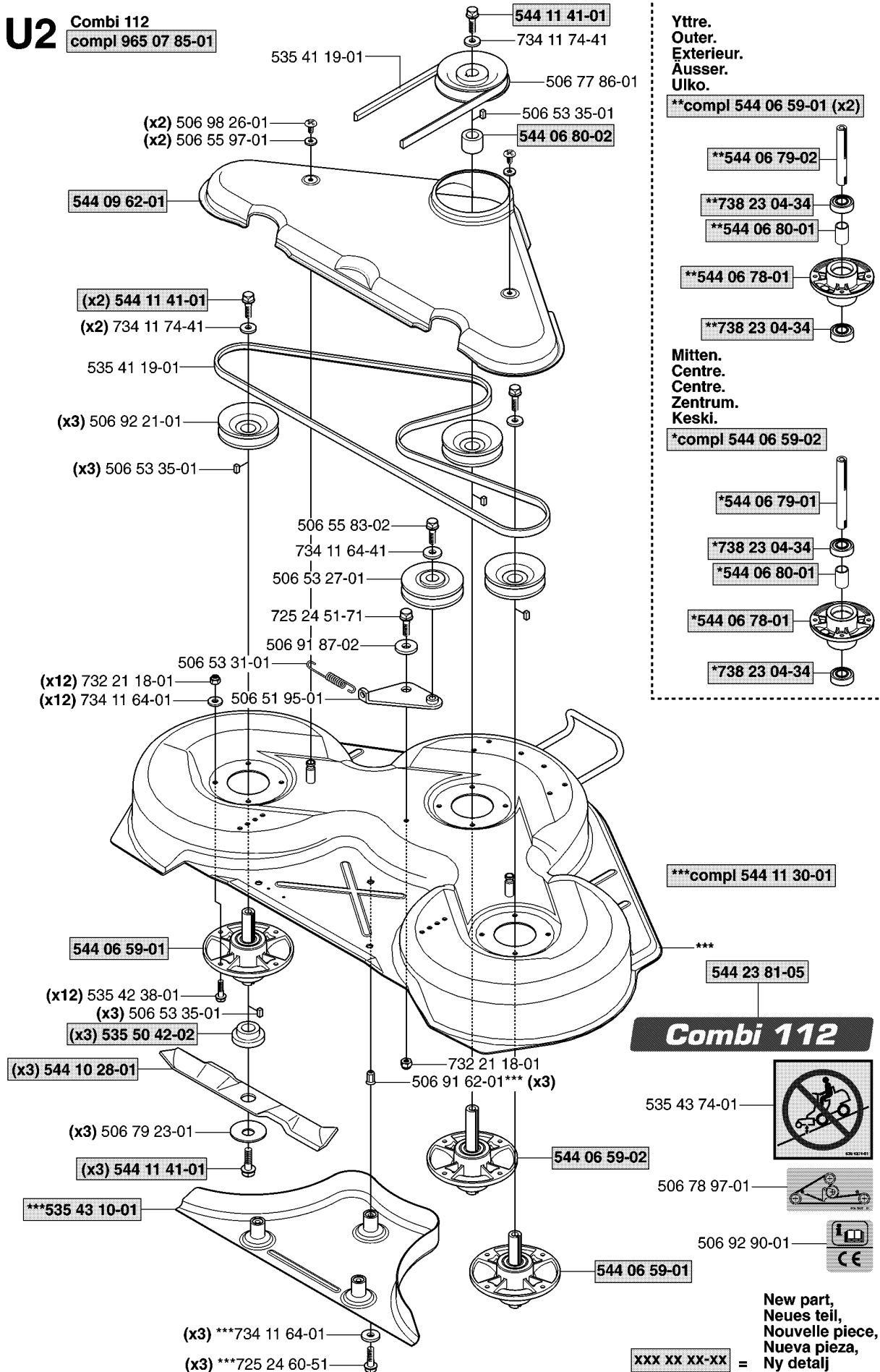


# U1 Combi 112



| Part No      | Description          | Remark | QTY KIT |
|--------------|----------------------|--------|---------|
| 506 53 56-03 | DRAW SPRING          |        | 1       |
| 506 59 74-01 | SCREW EHHFM          |        | 4       |
| 506 78 99-01 | VINKELLÄNK DIN 71802 |        | 1       |
| 506 78 99-01 | VINKELLÄNK DIN 71802 |        | 1       |
| 506 81 38-01 | REINFORCING PLATE    |        | 3       |
| 506 81 49-06 | ROD                  |        | 1       |
| 506 86 96-01 | BEARING              |        | 8       |
| 506 89 76-01 | NUT                  |        | 1       |
| 506 89 76-01 | NUT                  |        | 1       |
| 506 94 13-06 | CONNECTION ROD       |        | 1       |
| 506 95 17-01 | ROD END              |        | 1       |
| 506 96 30-01 | WHEEL ASSY           |        | 2       |
| 506 97 91-01 | SERVICEBRICKA        |        | 1       |
| 535 41 23-02 | PROTECTIVE TUBING    |        | 1       |
| 535 42 30-01 | BRACKET              |        | 1       |
| 535 43 06-01 | FRONT CROSS TUBE ASS |        | 1       |
| 535 43 12-01 | REAR CROSS TUBES ASS |        | 1       |
| 535 46 41-01 | WASHER               |        | 4       |
| 535 47 63-01 | SIDE RAIL            |        | 2       |
| 725 24 51-71 | SCREW EHHM           |        | 4       |
| 725 24 61-51 | SCREW EHHM           |        | 4       |
| 725 24 62-51 | SCREW EHHM           |        | 4       |
| 725 24 95-71 | SCREW EHHM           |        | 1       |
| 727 63 83-01 | SCREW RSQM           |        | 4       |
| 731 23 20-51 | HEXAGON NUT          |        | 1       |
| 732 21 16-01 | LOCK NUT             |        | 4       |
| 732 21 18-01 | LOCK NUT             |        | 4       |
| 732 21 18-01 | LOCK NUT             |        | 8       |
| 732 21 18-01 | LOCK NUT             |        | 4       |
| 732 21 20-51 | NUT                  |        | 1       |
| 732 21 20-51 | NUT                  |        | 1       |
| 732 21 20-51 | NUT                  |        | 1       |
| 734 11 56-01 | WASHER               |        | 4       |
| 735 31 17-00 | CIRCLIP              |        | 2       |

**U2** Combi 112  
compl 965 07 85-01

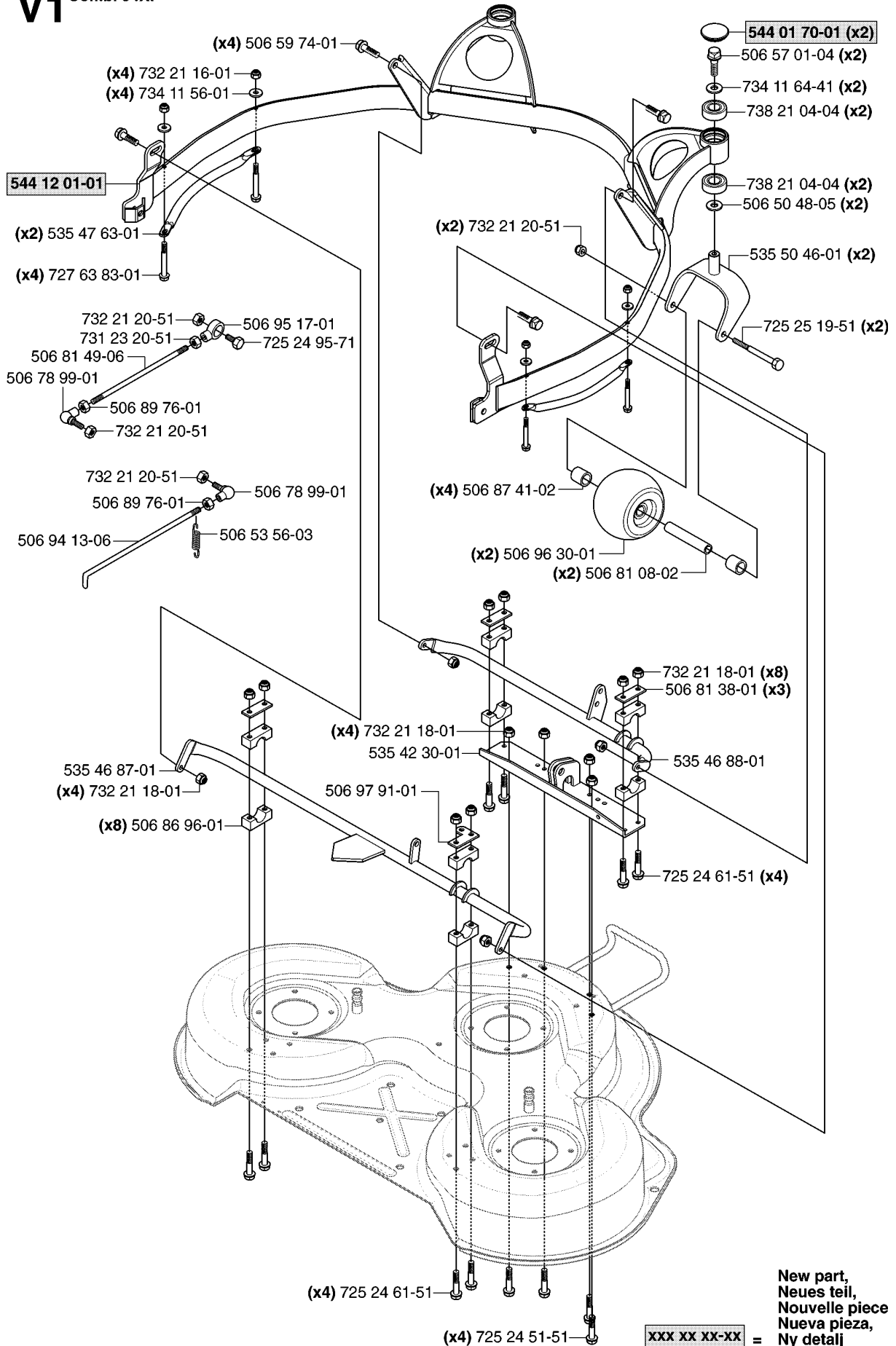


## 44"/112CM CUTTING DECK

RIDER PRO 15, 953535001, 2004-01

| Part No      | Description        | Remark | QTY KIT |
|--------------|--------------------|--------|---------|
| 506 51 95-01 | SPÄNNARM KPL.      |        | 1       |
| 506 53 27-01 | PULLEY             |        | 1       |
| 506 53 31-01 | SPRING             |        | 1       |
| 506 53 35-01 | PARALLEL KEY       |        | 3       |
| 506 53 35-01 | PARALLEL KEY       |        | 3       |
| 506 53 35-01 | PARALLEL KEY       |        | 1       |
| 506 55 83-02 | SCREW EHHFT        |        | 1       |
| 506 55 97-01 | WASHER             |        | 2       |
| 506 77 86-01 | PULLEY             |        | 1       |
| 506 78 97-01 | LABEL              |        | 1       |
| 506 79 23-01 | KNIFE PLATE        |        | 3       |
| 506 91 62-01 | NUT                |        | 3       |
| 506 91 87-02 | WASHER             |        | 1       |
| 506 92 21-01 | PULLEY             |        | 3       |
| 506 92 90-01 | LABEL              |        | 1       |
| 506 98 26-01 | SCREW              |        | 2       |
| 535 41 19-01 | BELT               |        | 1       |
| 535 41 19-01 | BELT               |        | 1       |
| 535 42 38-01 | SCREW RSQM         |        | 12      |
| 535 43 10-01 | PLUG ASSY          |        | 1       |
| 535 43 74-01 | LABEL WARNING      |        | 1       |
| 535 50 42-02 | ADAPTER            |        | 3       |
| 544 06 59-01 | BLADE HOUSING ASSY |        | 1       |
| 544 06 59-01 | BLADE HOUSING ASSY |        | 1       |
| 544 06 59-01 | BLADE HOUSING ASSY |        | 2       |
| 544 06 59-02 | BLADE HOUSING ASSY |        | 1       |
| 544 06 59-02 | BLADE HOUSING ASSY |        | 1       |
| 544 06 78-01 | BEARING HOUSING    |        | 1       |
| 544 06 78-01 | BEARING HOUSING    |        | 1       |
| 544 06 79-01 | SHAFT              |        | 1       |
| 544 06 79-02 | SHAFT              |        | 1       |
| 544 06 80-01 | SPACING SLEEVE     |        | 1       |
| 544 06 80-01 | SPACING SLEEVE     |        | 1       |
| 544 06 80-02 | SPACING SLEEVE     |        | 1       |
| 544 09 62-01 | BELT COVER         |        | 1       |
| 544 10 28-01 | RIDE ON BLADE      |        | 3       |
| 544 11 30-01 | CUTTING DECK       |        | 1       |
| 544 11 41-01 | SCREW EHHM         |        | 1       |
| 544 11 41-01 | SCREW EHHM         |        | 2       |
| 544 11 41-01 | SCREW EHHM         |        | 3       |
| 544 23 81-05 | LABEL              |        | 1       |
| 725 24 51-71 | SCREW EHHM         |        | 1       |
| 725 24 60-51 | SCREW EHHM         |        | 3       |
| 732 21 18-01 | LOCK NUT           |        | 12      |
| 732 21 18-01 | LOCK NUT           |        | 1       |
| 734 11 64-01 | WASHER             |        | 3       |
| 734 11 64-01 | WASHER             |        | 12      |
| 734 11 64-41 | WASHER             |        | 1       |
| 734 11 74-41 | WASHER             |        | 1       |
| 734 11 74-41 | WASHER             |        | 2       |
| 738 23 04-34 | BALL BEARING       |        | 1       |
| 738 23 04-34 | BALL BEARING       |        | 1       |
| 738 23 04-34 | BALL BEARING       |        | 1       |
| 738 23 04-34 | BALL BEARING       |        | 1       |
| 965 07 85-01 | CUTTING DECK       |        | 1       |

**V1** Combi 94XP

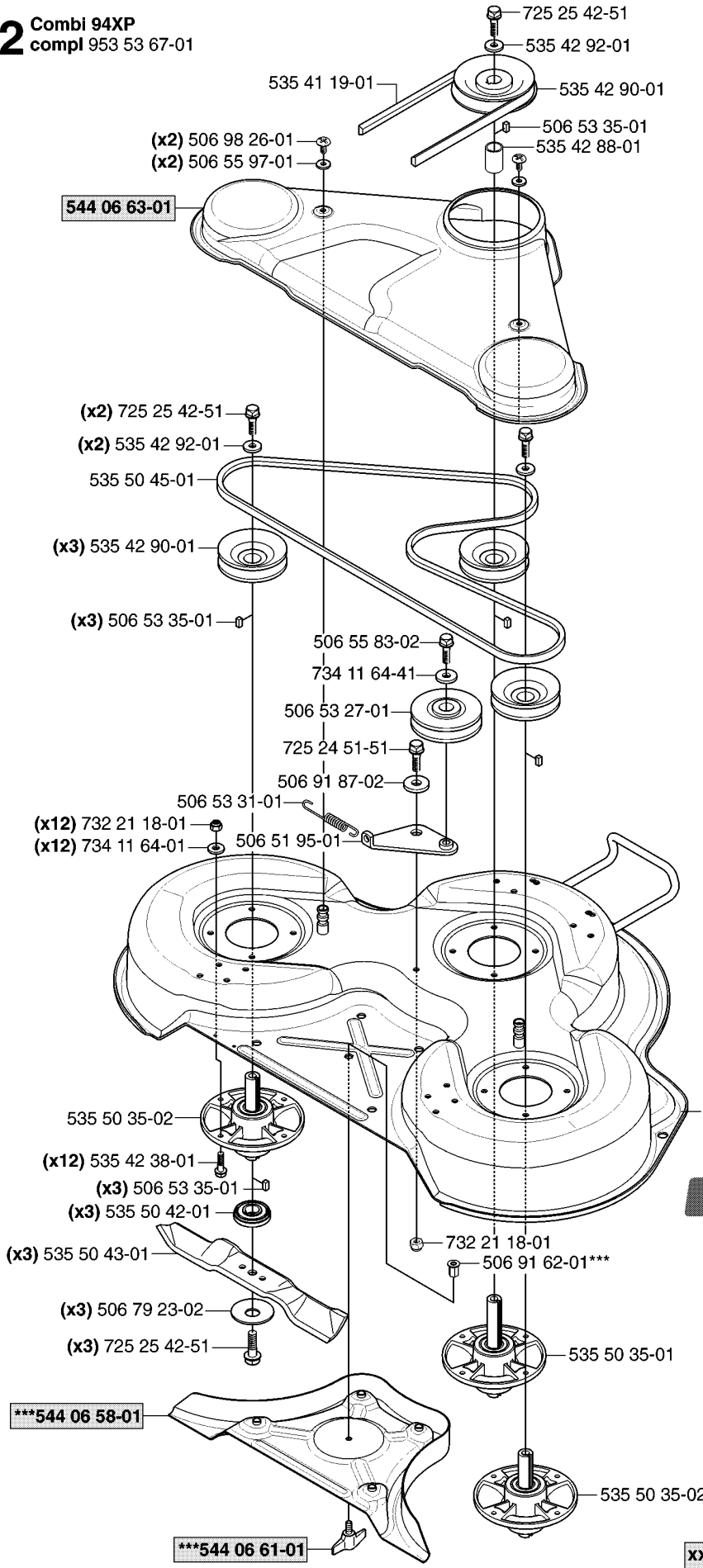


## 94CM CUTTING DECK

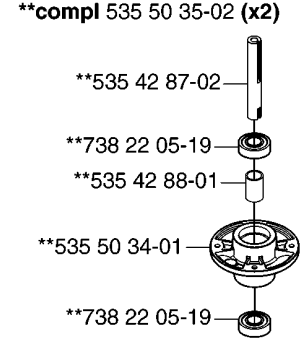
RIDER PRO 15, 953535001, 2004-01

| Part No      | Description          | Remark | QTY KIT |
|--------------|----------------------|--------|---------|
| 506 50 48-05 | WASHER               |        | 2       |
| 506 53 56-03 | DRAW SPRING          |        | 1       |
| 506 57 01-04 | SCREW EHHFM          |        | 2       |
| 506 59 74-01 | SCREW EHHFM          |        | 4       |
| 506 78 99-01 | VINKELLÄNK DIN 71802 |        | 1       |
| 506 78 99-01 | VINKELLÄNK DIN 71802 |        | 1       |
| 506 81 08-02 | TUBE                 |        | 2       |
| 506 81 38-01 | REINFORCING PLATE    |        | 3       |
| 506 81 49-06 | ROD                  |        | 1       |
| 506 86 96-01 | BEARING              |        | 8       |
| 506 87 41-02 | SPACER               |        | 4       |
| 506 89 76-01 | NUT                  |        | 1       |
| 506 89 76-01 | NUT                  |        | 1       |
| 506 94 13-06 | CONNECTION ROD       |        | 1       |
| 506 95 17-01 | ROD END              |        | 1       |
| 506 96 30-01 | WHEEL ASSY           |        | 2       |
| 506 97 91-01 | SERVICEBRICKA        |        | 1       |
| 535 42 30-01 | BRACKET              |        | 1       |
| 535 46 87-01 | REAR CROSS TUBES ASS |        | 1       |
| 535 46 88-01 | FRÄMRE TVÄRRÖR KPL.  |        | 1       |
| 535 47 63-01 | SIDE RAIL            |        | 2       |
| 535 50 46-01 | FORK                 |        | 2       |
| 544 01 70-01 | HUB CAP              |        | 2       |
| 544 12 01-01 | PROTECTIVE TUBING    |        | 1       |
| 725 24 51-51 | SCREW                |        | 4       |
| 725 24 61-51 | SCREW EHHM           |        | 4       |
| 725 24 61-51 | SCREW EHHM           |        | 4       |
| 725 24 95-71 | SCREW EHHM           |        | 1       |
| 725 25 19-51 | SCREW EHHM           |        | 2       |
| 727 63 83-01 | SCREW RSQM           |        | 4       |
| 731 23 20-51 | HEXAGON NUT          |        | 1       |
| 732 21 16-01 | LOCK NUT             |        | 4       |
| 732 21 18-01 | LOCK NUT             |        | 4       |
| 732 21 18-01 | LOCK NUT             |        | 4       |
| 732 21 18-01 | LOCK NUT             |        | 8       |
| 732 21 20-51 | NUT                  |        | 1       |
| 732 21 20-51 | NUT                  |        | 1       |
| 732 21 20-51 | NUT                  |        | 2       |
| 732 21 20-51 | NUT                  |        | 1       |
| 734 11 56-01 | WASHER               |        | 4       |
| 734 11 64-41 | WASHER               |        | 2       |
| 738 21 04-04 | BALL BEARING         |        | 2       |
| 738 21 04-04 | BALL BEARING         |        | 2       |

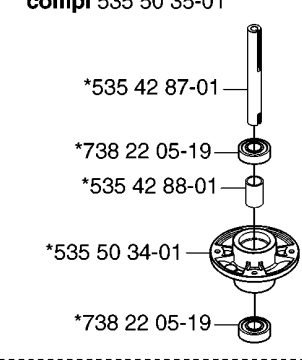
**V2** Combi 94XP  
compl 953 53 67-01



**Yttre.  
Outer.  
Exterieur.  
Ausser.  
Ulko.**



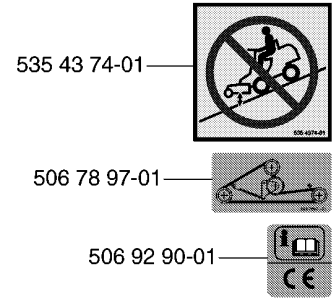
**Mitten.  
Centre.  
Centre.  
Zentrum.  
Keski.**



**\*\*\*compl 544 06 57-03**

**544 23 81-02**

**Combi 94 XP**



**New part,  
Neues teil,  
Nouvelle piece,  
Nueva pieza,  
Ny detalj**

**XXX XX XX-XX =**

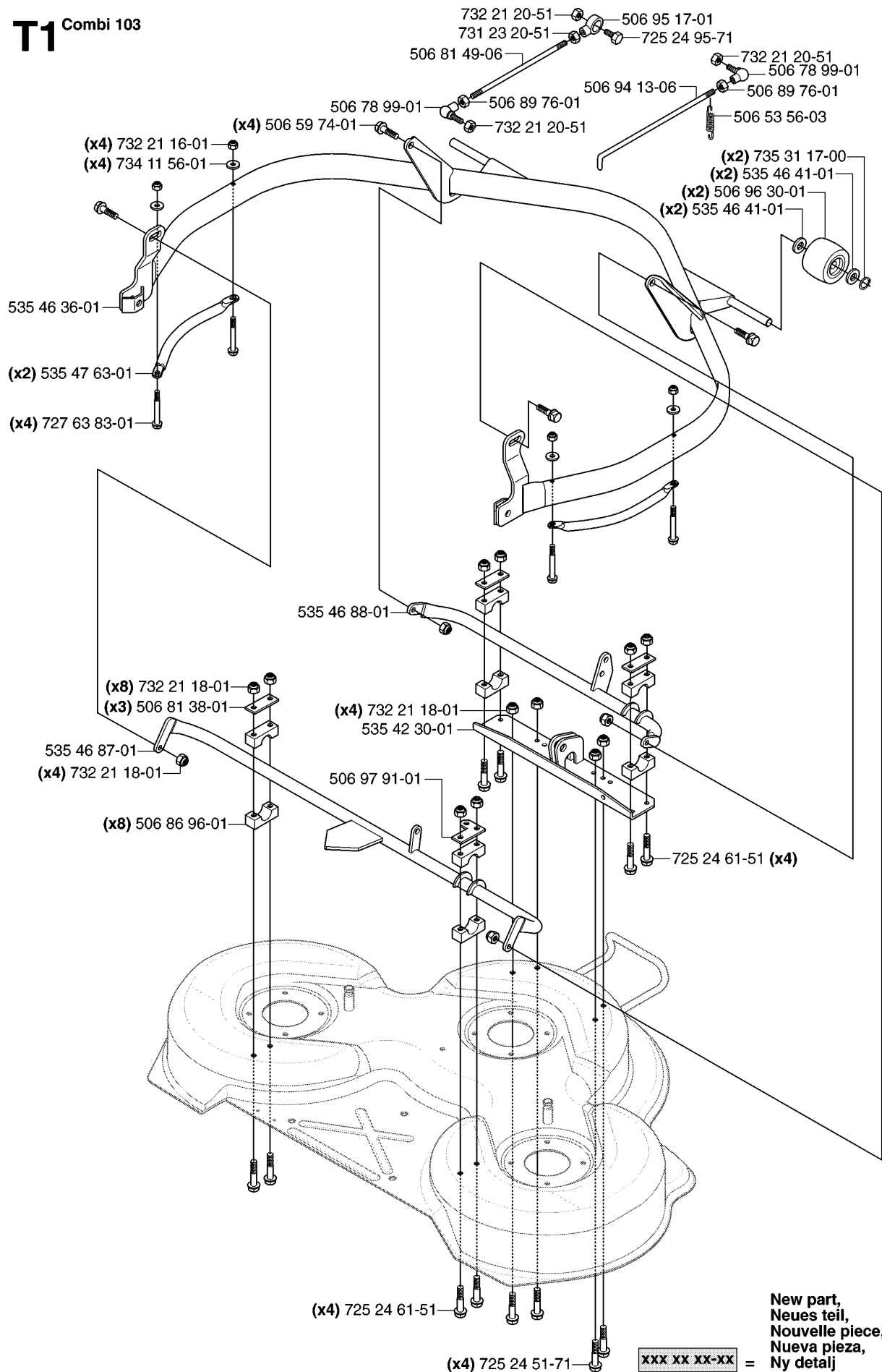
## 94CM CUTTING DECK

RIDER PRO 15, 953535001, 2004-01

| Part No      | Description     | Remark | QTY KIT |
|--------------|-----------------|--------|---------|
| 506 51 95-01 | SPÄNNARM KPL.   |        | 1       |
| 506 53 27-01 | PULLEY          |        | 1       |
| 506 53 31-01 | SPRING          |        | 1       |
| 506 53 35-01 | PARALLEL KEY    |        | 3       |
| 506 53 35-01 | PARALLEL KEY    |        | 1       |
| 506 53 35-01 | PARALLEL KEY    |        | 3       |
| 506 55 83-02 | SCREW EHHFT     |        | 1       |
| 506 55 97-01 | WASHER          |        | 2       |
| 506 78 97-01 | LABEL           |        | 1       |
| 506 79 23-02 | KNIFE PLATE     |        | 3       |
| 506 91 62-01 | NUT             |        | 1       |
| 506 91 87-02 | WASHER          |        | 1       |
| 506 92 90-01 | LABEL           |        | 1       |
| 506 98 26-01 | SCREW           |        | 2       |
| 535 41 19-01 | BELT            |        | 1       |
| 535 42 38-01 | SCREW RSQM      |        | 12      |
| 535 42 87-01 | SHAFT           |        | 1       |
| 535 42 87-02 | SHAFT           |        | 1       |
| 535 42 88-01 | SPACER          |        | 1       |
| 535 42 88-01 | SPACER          |        | 1       |
| 535 42 88-01 | SPACER          |        | 1       |
| 535 42 90-01 | PULLEY          |        | 3       |
| 535 42 90-01 | PULLEY          |        | 1       |
| 535 42 92-01 | WASHER          |        | 2       |
| 535 42 92-01 | WASHER          |        | 1       |
| 535 43 74-01 | LABEL WARNING   |        | 1       |
| 535 50 34-01 | BEARING HOUSING |        | 1       |
| 535 50 34-01 | BEARING HOUSING |        | 1       |
| 535 50 35-01 | MANDREL         |        | 1       |
| 535 50 35-01 | MANDREL         |        | 1       |
| 535 50 35-02 | MANDREL         |        | 1       |
| 535 50 35-02 | MANDREL         |        | 2       |
| 535 50 35-02 | MANDREL         |        | 1       |
| 535 50 42-01 | ADAPTER         |        | 3       |
| 535 50 43-01 | BLADE           |        | 3       |
| 535 50 45-01 | BELT            |        | 1       |
| 544 06 57-03 | CUTTING DECK    |        | 1       |
| 544 06 58-01 | PLUG            |        | 1       |
| 544 06 61-01 | KNOB            |        | 1       |
| 544 06 63-01 | BELT COVER      |        | 1       |
| 544 23 81-02 | LABEL           |        | 1       |
| 725 24 51-51 | SCREW           |        | 1       |
| 725 25 42-51 | SCREW EHHM      |        | 2       |
| 725 25 42-51 | SCREW EHHM      |        | 1       |
| 725 25 42-51 | SCREW EHHM      |        | 3       |
| 732 21 18-01 | LOCK NUT        |        | 1       |
| 732 21 18-01 | LOCK NUT        |        | 12      |
| 734 11 64-01 | WASHER          |        | 12      |
| 734 11 64-41 | WASHER          |        | 1       |
| 738 22 05-19 | BALL BEARING    |        | 1       |
| 738 22 05-19 | BALL BEARING    |        | 1       |
| 738 22 05-19 | BALL BEARING    |        | 1       |
| 738 22 05-19 | BALL BEARING    |        | 1       |



**T1** Combi 103



New part,  
Neues teil,  
Nouvelle piece,  
Nueva pieza,  
Ny detalj

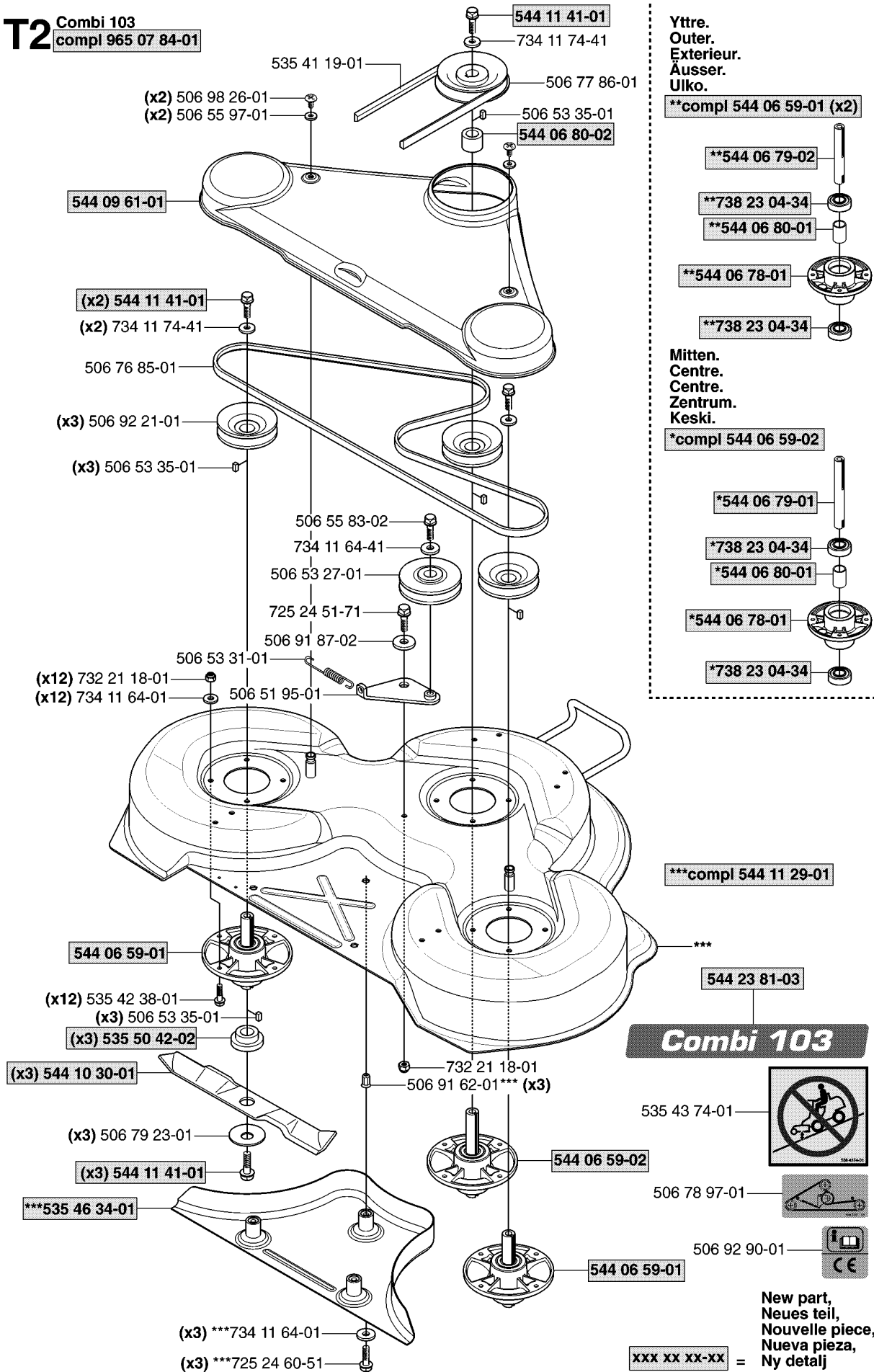
xxx xx xx-xx =

## 103CM CUTTING DECK

RIDER PRO 15, 953535001, 2004-01

| Part No      | Description          | Remark | QTY KIT |
|--------------|----------------------|--------|---------|
| 506 50 48-05 | WASHER               |        | 2       |
| 506 53 56-03 | DRAW SPRING          |        | 1       |
| 506 57 01-04 | SCREW EHHFM          |        | 2       |
| 506 59 74-01 | SCREW EHHFM          |        | 4       |
| 506 78 99-01 | VINKELLÄNK DIN 71802 |        | 1       |
| 506 78 99-01 | VINKELLÄNK DIN 71802 |        | 1       |
| 506 81 08-02 | TUBE                 |        | 2       |
| 506 81 38-01 | REINFORCING PLATE    |        | 3       |
| 506 81 49-06 | ROD                  |        | 1       |
| 506 86 96-01 | BEARING              |        | 8       |
| 506 87 41-02 | SPACER               |        | 4       |
| 506 89 76-01 | NUT                  |        | 1       |
| 506 89 76-01 | NUT                  |        | 1       |
| 506 94 13-06 | CONNECTION ROD       |        | 1       |
| 506 95 17-01 | ROD END              |        | 1       |
| 506 96 30-01 | WHEEL ASSY           |        | 2       |
| 506 97 91-01 | SERVICEBRICKA        |        | 1       |
| 535 42 30-01 | BRACKET              |        | 1       |
| 535 46 87-01 | REAR CROSS TUBES ASS |        | 1       |
| 535 46 88-01 | FRÄMRE TVÄRRÖR KPL.  |        | 1       |
| 535 47 63-01 | SIDE RAIL            |        | 2       |
| 535 50 46-01 | FORK                 |        | 2       |
| 544 01 70-01 | HUB CAP              |        | 2       |
| 544 11 14-01 | PROTECTIVE TUBING    |        | 1       |
| 725 24 51-51 | SCREW                |        | 4       |
| 725 24 61-51 | SCREW EHHM           |        | 4       |
| 725 24 61-51 | SCREW EHHM           |        | 4       |
| 725 24 95-71 | SCREW EHHM           |        | 1       |
| 725 25 19-51 | SCREW EHHM           |        | 2       |
| 727 63 83-01 | SCREW RSQM           |        | 2       |
| 731 23 20-51 | HEXAGON NUT          |        | 1       |
| 732 21 16-01 | LOCK NUT             |        | 4       |
| 732 21 18-01 | LOCK NUT             |        | 4       |
| 732 21 18-01 | LOCK NUT             |        | 4       |
| 732 21 18-01 | LOCK NUT             |        | 8       |
| 732 21 20-51 | NUT                  |        | 1       |
| 732 21 20-51 | NUT                  |        | 2       |
| 732 21 20-51 | NUT                  |        | 1       |
| 732 21 20-51 | NUT                  |        | 1       |
| 734 11 56-01 | WASHER               |        | 4       |
| 734 11 64-41 | WASHER               |        | 2       |
| 738 21 04-04 | BALL BEARING         |        | 2       |
| 738 21 04-04 | BALL BEARING         |        | 2       |

**T2** Combi 103  
compl 965 07 84-01

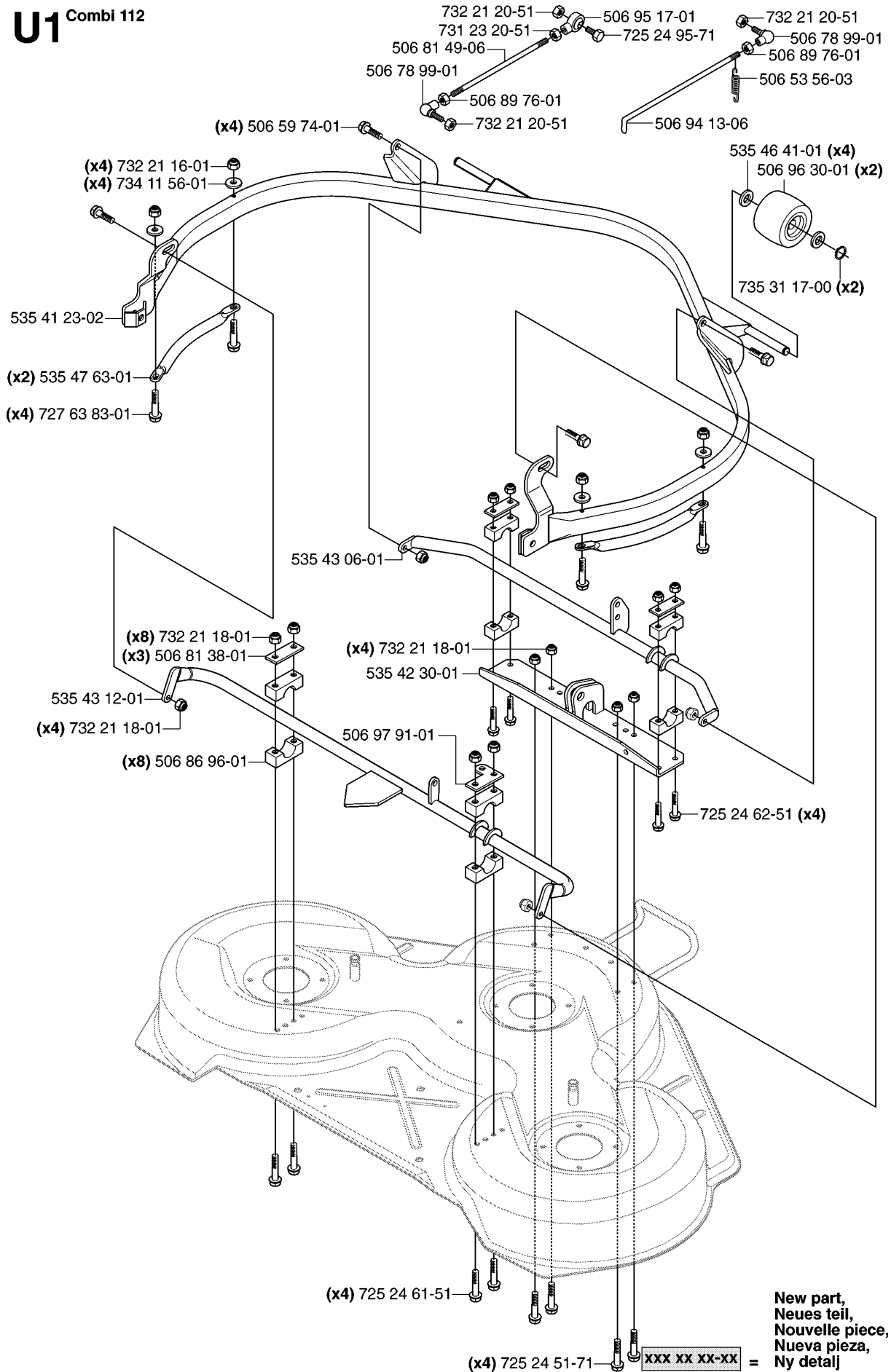


## 103CM CUTTING DECK

RIDER PRO 15, 953535001, 2004-01

| Part No      | Description     | Remark | QTY KIT |
|--------------|-----------------|--------|---------|
| 506 51 95-01 | SPÄNNARM KPL.   |        | 1       |
| 506 53 27-01 | PULLEY          |        | 1       |
| 506 53 31-01 | SPRING          |        | 1       |
| 506 53 35-01 | PARALLEL KEY    |        | 3       |
| 506 53 35-01 | PARALLEL KEY    |        | 3       |
| 506 53 35-01 | PARALLEL KEY    |        | 1       |
| 506 55 83-02 | SCREW EHHFT     |        | 1       |
| 506 55 97-01 | WASHER          |        | 2       |
| 506 78 97-01 | LABEL           |        | 1       |
| 506 79 23-02 | KNIFE PLATE     |        | 3       |
| 506 91 62-01 | NUT             |        | 3       |
| 506 91 87-02 | WASHER          |        | 1       |
| 506 92 90-01 | LABEL           |        | 1       |
| 506 98 26-01 | SCREW           |        | 2       |
| 535 42 38-01 | SCREW RSQM      |        | 12      |
| 535 42 87-01 | SHAFT           |        | 1       |
| 535 42 87-02 | SHAFT           |        | 1       |
| 535 42 88-01 | SPACER          |        | 1       |
| 535 42 88-01 | SPACER          |        | 1       |
| 535 42 88-01 | SPACER          |        | 1       |
| 535 42 90-01 | PULLEY          |        | 1       |
| 535 42 90-01 | PULLEY          |        | 3       |
| 535 42 92-01 | WASHER          |        | 2       |
| 535 42 92-01 | WASHER          |        | 1       |
| 535 43 74-01 | LABEL WARNING   |        | 1       |
| 535 46 34-01 | PLUG ASSY       |        | 1       |
| 535 50 34-01 | BEARING HOUSING |        | 1       |
| 535 50 34-01 | BEARING HOUSING |        | 1       |
| 535 50 35-01 | MANDREL         |        | 1       |
| 535 50 35-01 | MANDREL         |        | 1       |
| 535 50 35-02 | MANDREL         |        | 1       |
| 535 50 35-02 | MANDREL         |        | 2       |
| 535 50 35-02 | MANDREL         |        | 1       |
| 535 50 42-01 | ADAPTER         |        | 3       |
| 544 09 61-01 | BELT COVER      |        | 1       |
| 544 10 29-01 | BLADE           |        | 3       |
| 544 11 29-01 | CUTTING DECK    |        | 1       |
| 544 11 32-01 | BELT            |        | 1       |
| 544 23 81-04 | LABEL           |        | 1       |
| 594 97 80-01 | BELT            |        | 1       |
| 725 24 51-51 | SCREW           |        | 1       |
| 725 24 60-71 | SCREW EHHM      |        | 3       |
| 725 25 42-51 | SCREW EHHM      |        | 1       |
| 725 25 42-51 | SCREW EHHM      |        | 3       |
| 725 25 42-51 | SCREW EHHM      |        | 2       |
| 732 21 18-01 | LOCK NUT        |        | 1       |
| 732 21 18-01 | LOCK NUT        |        | 12      |
| 734 11 64-01 | WASHER          |        | 12      |
| 734 11 64-01 | WASHER          |        | 3       |
| 734 11 64-41 | WASHER          |        | 1       |
| 738 22 05-19 | BALL BEARING    |        | 1       |
| 738 22 05-19 | BALL BEARING    |        | 1       |
| 738 22 05-19 | BALL BEARING    |        | 1       |
| 738 22 05-19 | BALL BEARING    |        | 1       |
| 965 07 86-01 | CUTTING DECK    |        | 1       |

# U1 Combi 112

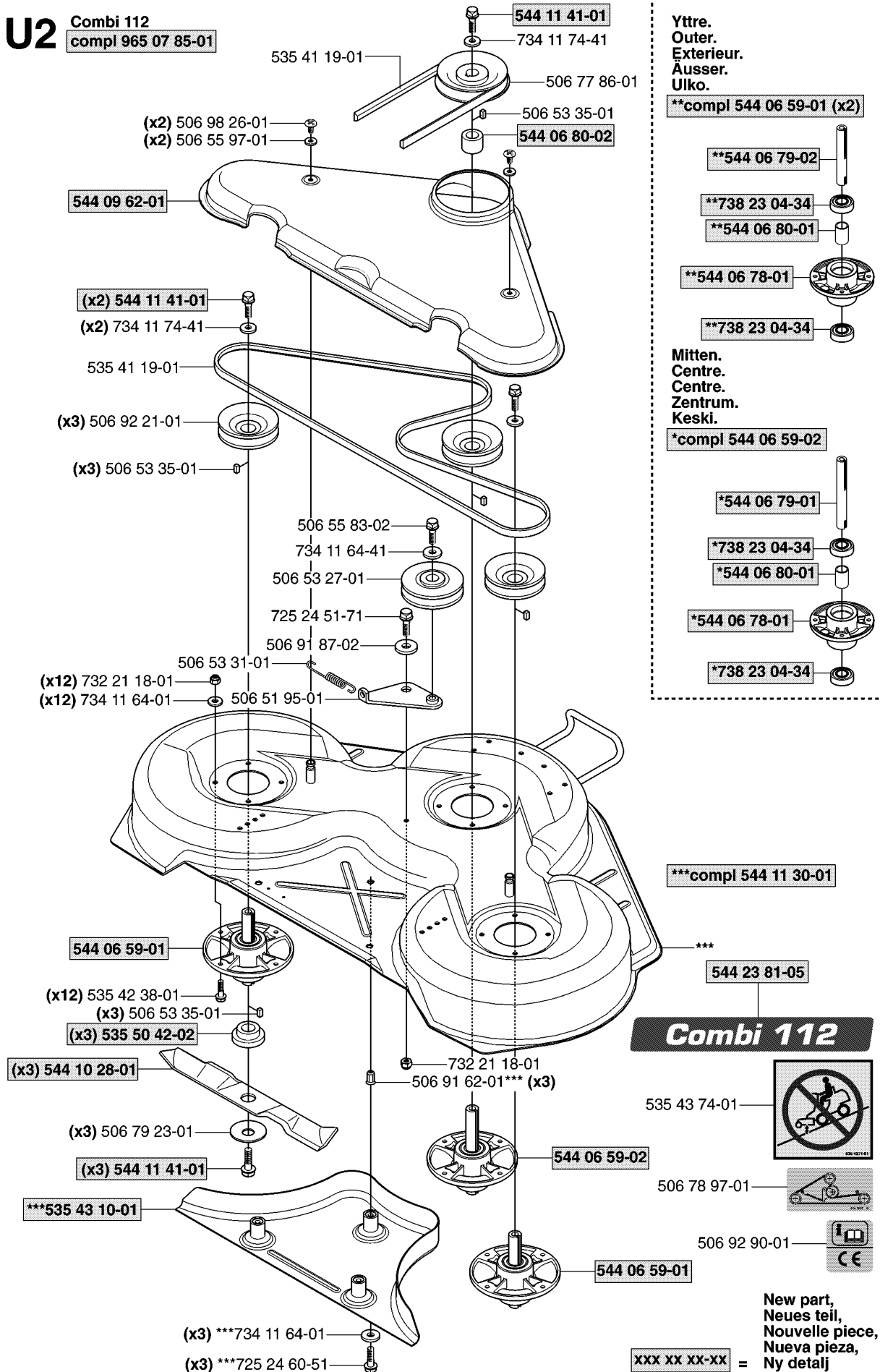


## 44"/112CM CUTTING DECK

RIDER PRO 15, 953535001, 2004-01

| Part No      | Description          | Remark | QTY KIT |
|--------------|----------------------|--------|---------|
| 506 50 48-05 | WASHER               |        | 2       |
| 506 53 56-03 | DRAW SPRING          |        | 1       |
| 506 57 01-04 | SCREW EHHFM          |        | 2       |
| 506 59 74-01 | SCREW EHHFM          |        | 4       |
| 506 78 99-01 | VINKELLÄNK DIN 71802 |        | 1       |
| 506 78 99-01 | VINKELLÄNK DIN 71802 |        | 1       |
| 506 81 08-02 | TUBE                 |        | 2       |
| 506 81 38-01 | REINFORCING PLATE    |        | 3       |
| 506 81 49-06 | ROD                  |        | 1       |
| 506 86 96-01 | BEARING              |        | 8       |
| 506 87 41-02 | SPACER               |        | 2       |
| 506 89 76-01 | NUT                  |        | 1       |
| 506 89 76-01 | NUT                  |        | 1       |
| 506 94 13-06 | CONNECTION ROD       |        | 1       |
| 506 95 17-01 | ROD END              |        | 1       |
| 506 96 30-01 | WHEEL ASSY           |        | 2       |
| 506 97 91-01 | SERVICEBRICKA        |        | 1       |
| 535 42 30-01 | BRACKET              |        | 1       |
| 535 43 06-01 | FRONT CROSS TUBE ASS |        | 1       |
| 535 43 12-01 | REAR CROSS TUBES ASS |        | 1       |
| 535 47 63-01 | SIDE RAIL            |        | 2       |
| 535 50 46-01 | FORK                 |        | 2       |
| 535 50 49-02 | PROTECTIVE TUBING    |        | 1       |
| 544 01 70-01 | HUB CAP              |        | 2       |
| 725 24 51-51 | SCREW                |        | 4       |
| 725 24 61-51 | SCREW EHHM           |        | 4       |
| 725 24 61-51 | SCREW EHHM           |        | 4       |
| 725 24 95-71 | SCREW EHHM           |        | 1       |
| 725 25 19-51 | SCREW EHHM           |        | 2       |
| 727 63 83-01 | SCREW RSQM           |        | 2       |
| 731 23 20-51 | HEXAGON NUT          |        | 1       |
| 732 21 16-01 | LOCK NUT             |        | 4       |
| 732 21 18-01 | LOCK NUT             |        | 4       |
| 732 21 18-01 | LOCK NUT             |        | 8       |
| 732 21 18-01 | LOCK NUT             |        | 4       |
| 732 21 20-51 | NUT                  |        | 1       |
| 732 21 20-51 | NUT                  |        | 2       |
| 732 21 20-51 | NUT                  |        | 1       |
| 732 21 20-51 | NUT                  |        | 1       |
| 734 11 56-01 | WASHER               |        | 4       |
| 734 11 64-41 | WASHER               |        | 2       |
| 738 21 04-04 | BALL BEARING         |        | 2       |
| 738 21 04-04 | BALL BEARING         |        | 2       |

**U2** Combi 112  
compl 965 07 85-01



## 44"/112CM CUTTING DECK

RIDER PRO 15, 953535001, 2004-01

| Part No      | Description     | Remark | QTY KIT |
|--------------|-----------------|--------|---------|
| 506 51 95-01 | SPÄNNARM KPL.   |        | 1       |
| 506 53 27-01 | PULLEY          |        | 1       |
| 506 53 31-01 | SPRING          |        | 1       |
| 506 53 35-01 | PARALLEL KEY    |        | 3       |
| 506 53 35-01 | PARALLEL KEY    |        | 3       |
| 506 53 35-01 | PARALLEL KEY    |        | 1       |
| 506 55 83-02 | SCREW EHHFT     |        | 1       |
| 506 55 97-01 | WASHER          |        | 2       |
| 506 78 97-01 | LABEL           |        | 1       |
| 506 79 23-02 | KNIFE PLATE     |        | 3       |
| 506 91 62-01 | NUT             |        | 3       |
| 506 91 87-02 | WASHER          |        | 1       |
| 506 92 90-01 | LABEL           |        | 1       |
| 506 98 26-01 | SCREW           |        | 2       |
| 535 42 38-01 | SCREW RSQM      |        | 12      |
| 535 42 87-01 | SHAFT           |        | 1       |
| 535 42 87-02 | SHAFT           |        | 1       |
| 535 42 88-01 | SPACER          |        | 1       |
| 535 42 88-01 | SPACER          |        | 1       |
| 535 42 88-01 | SPACER          |        | 1       |
| 535 42 90-01 | PULLEY          |        | 3       |
| 535 42 90-01 | PULLEY          |        | 1       |
| 535 42 92-01 | WASHER          |        | 2       |
| 535 42 92-01 | WASHER          |        | 1       |
| 535 43 10-01 | PLUG ASSY       |        | 1       |
| 535 43 74-01 | LABEL WARNING   |        | 1       |
| 535 50 34-01 | BEARING HOUSING |        | 1       |
| 535 50 34-01 | BEARING HOUSING |        | 1       |
| 535 50 35-01 | MANDREL         |        | 1       |
| 535 50 35-01 | MANDREL         |        | 1       |
| 535 50 35-02 | MANDREL         |        | 1       |
| 535 50 35-02 | MANDREL         |        | 2       |
| 535 50 35-02 | MANDREL         |        | 1       |
| 535 50 42-01 | ADAPTER         |        | 3       |
| 544 09 62-01 | BELT COVER      |        | 1       |
| 544 10 27-01 | BLADE           |        | 3       |
| 544 11 30-03 | CUTTING DECK    |        | 1       |
| 544 11 33-01 | BELT            |        | 1       |
| 544 23 81-06 | LABEL           |        | 1       |
| 594 97 80-01 | BELT            |        | 1       |
| 725 24 51-51 | SCREW           |        | 1       |
| 725 24 60-71 | SCREW EHHM      |        | 3       |
| 725 25 42-51 | SCREW EHHM      |        | 2       |
| 725 25 42-51 | SCREW EHHM      |        | 1       |
| 725 25 42-51 | SCREW EHHM      |        | 3       |
| 732 21 18-01 | LOCK NUT        |        | 12      |
| 732 21 18-01 | LOCK NUT        |        | 1       |
| 734 11 64-01 | WASHER          |        | 3       |
| 734 11 64-01 | WASHER          |        | 12      |
| 734 11 64-41 | WASHER          |        | 1       |
| 738 22 05-19 | BALL BEARING    |        | 1       |
| 738 22 05-19 | BALL BEARING    |        | 1       |
| 738 22 05-19 | BALL BEARING    |        | 1       |
| 738 22 05-19 | BALL BEARING    |        | 1       |
| 965 07 87-01 | CUTTING DECK    |        | 1       |