

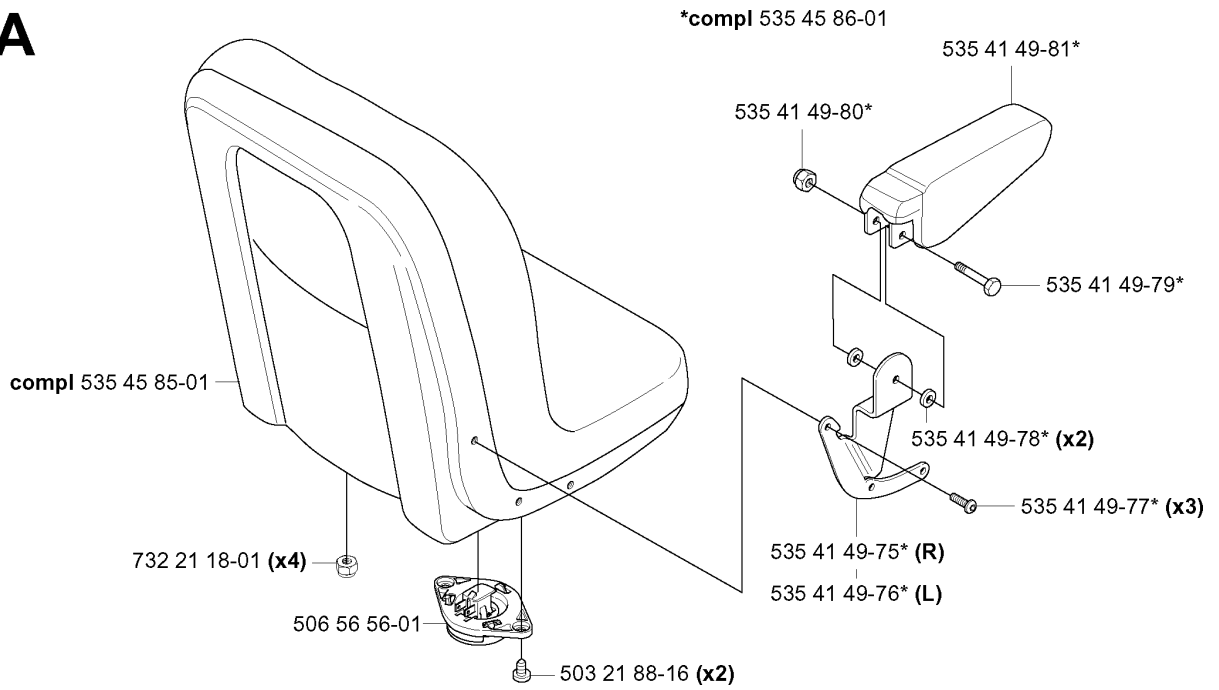


SPARE PARTS LIST

RIDERS

PROFLEX 18, 953522901, 2004-06

A

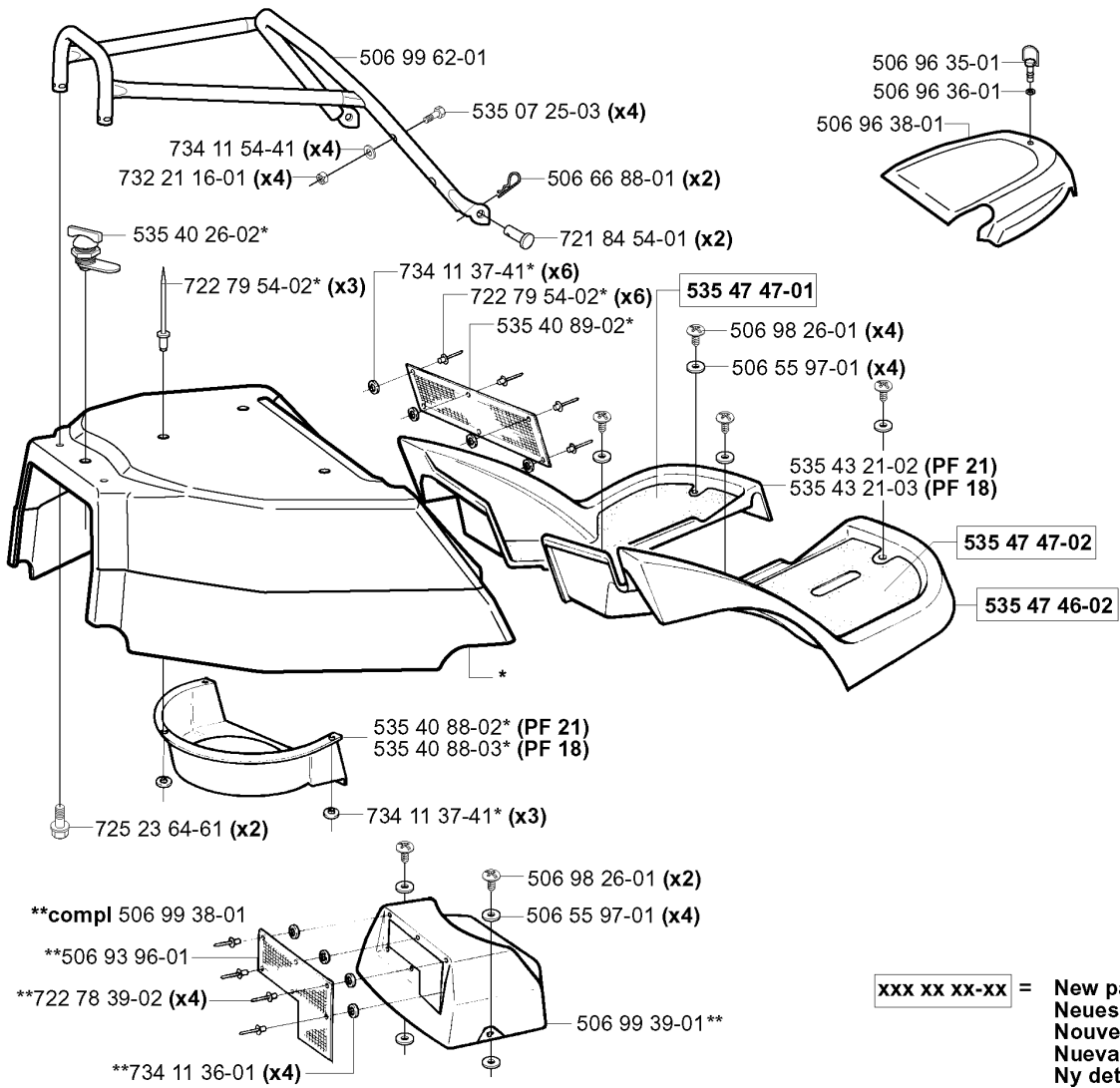


SEAT

PROFLEX 18, 953522901, 2004-06

Part No	Description	Remark	QTY KIT
503 21 88-16	SCREW IH SCT		2
506 56 56-01	SÄTESBRYTARE KPL		1
535 41 49-75	BRACKET	R	1
535 41 49-76	BRACKET	L	1
535 41 49-77	SCREW		3
535 41 49-78	SPACER		2
535 41 49-79	SCREW		1
535 41 49-80	NUT		1
535 41 49-81	ARMSTÖD		1
535 45 85-01	SEAT ASSY		1
535 45 86-01	ARM REST KIT		1
732 21 18-01	LOCK NUT		4

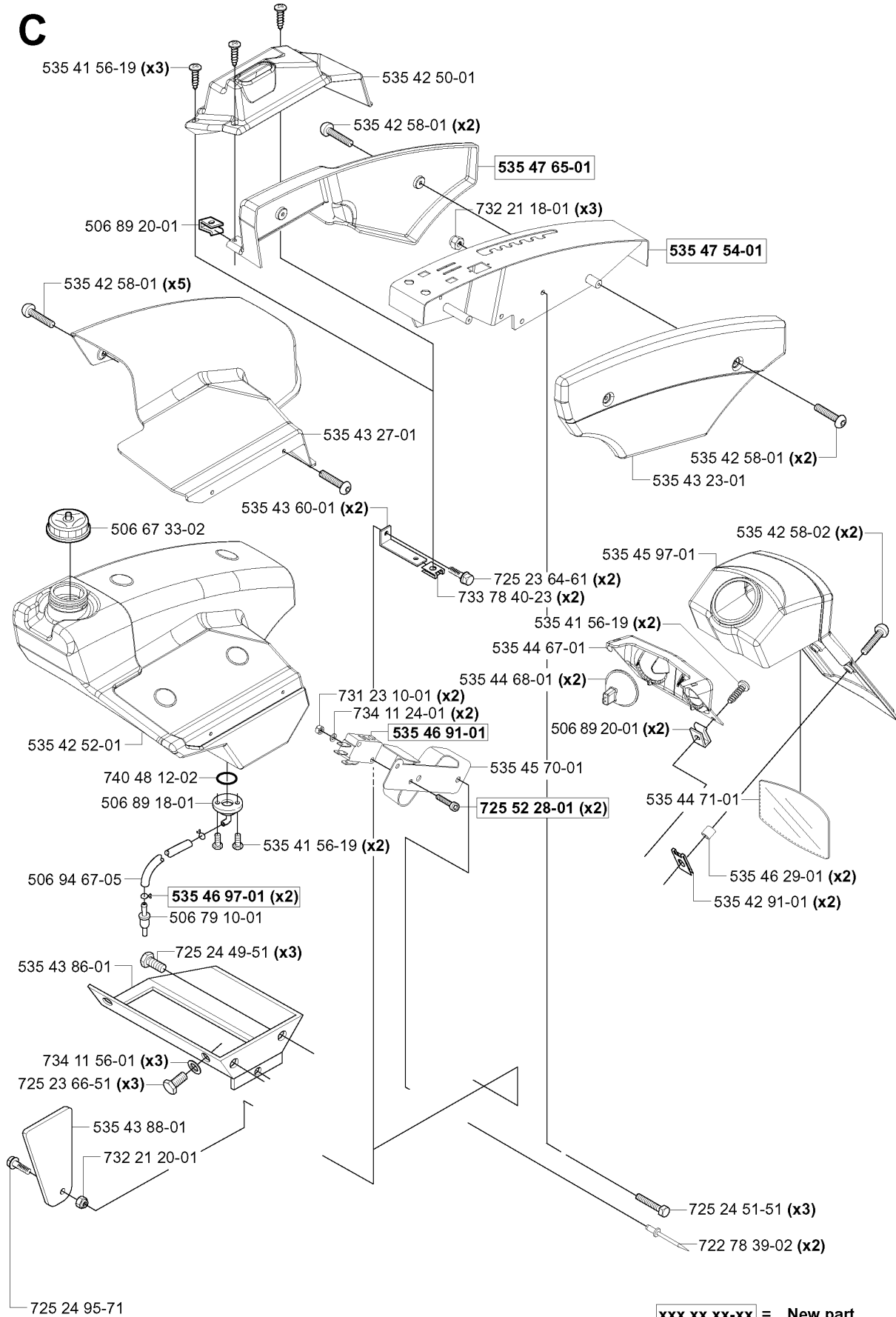
B *compl 535 40 86-02 PF21
 *compl 535 40 86-03 PF18



HOOD

PROFLEX 18, 953522901, 2004-06

Part No	Description	Remark	QTY KIT
506 55 97-01	WASHER		4
506 55 97-01	WASHER		4
506 66 88-01	SPRING COTTER		2
506 93 96-01	SCREEN		1
506 96 35-01	VRIDTAPP		1
506 96 36-01	WASHER		1
506 96 38-01	NOSKÅPA		1
506 98 26-01	SCREW		2
506 98 26-01	SCREW		4
506 99 38-01	COVER		1
506 99 39-01	COVER		1
506 99 62-01	LOAD CARRIER ASSY		1
535 07 25-03	SCREW IHANM		4
535 40 26-02	LOCK		1
535 40 86-02	MOTOR COVER	PF21	1
535 40 86-03	ENGINE HOOD ASSY	PF18	1
535 40 88-02	AIR CONDUCTOR	PF 21	1
535 40 88-03	AIR CONDUCTOR	PF 18	1
535 40 89-02	GRID		1
535 43 21-02	FLYGEL VÄNSTER	PF 21	1
535 43 21-03	FLYGEL VÄNSTER	PF 18	1
535 47 46-02	FLYGEL HÖGER		1
535 47 47-01	PEDISTAL MAT		1
535 47 47-02	PEDISTAL MAT		1
721 84 54-01	CLEVIS PIN		2
722 78 39-02	BLIND RIVET		4
722 79 54-02	RIVET		6
722 79 54-02	RIVET		3
725 23 64-61	SCREW EHHFT		2
732 21 16-01	LOCK NUT		4
734 11 36-01	WASHER		4
734 11 37-41	WASHER		3
734 11 37-41	WASHER		6
734 11 54-41	WASHER		4



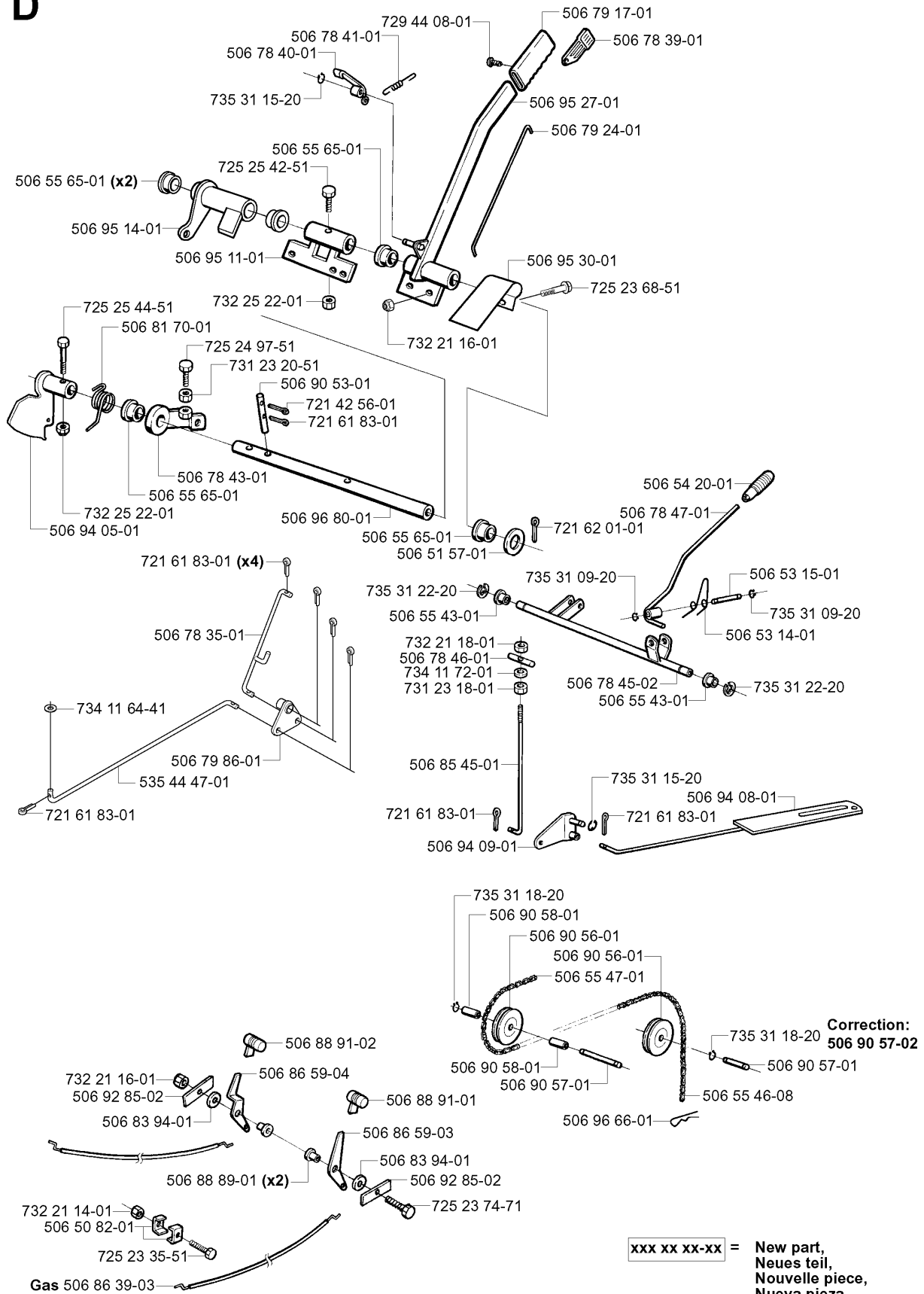
xxx xx xx-xx = New part,
 Neues teil,
 Nouvelle piece,
 Nueva pieza,
 Ny detalj

COVER

PROFLEX 18, 953522901, 2004-06

Part No	Description	Remark	QTY KIT
506 67 33-02	TANK CAP ASSY		1
506 79 10-01	FUEL FILTER		1
506 89 18-01	CONNECTION		1
506 89 20-01	SPEED NUT		1
506 89 20-01	SPEED NUT		2
506 94 67-05	FUEL HOSE		1
535 41 56-19	SCREW		2
535 41 56-19	SCREW		2
535 41 56-19	SCREW		3
535 42 50-01	COVER		1
535 42 52-01	FUEL TANK		1
535 42 58-01	SCREW IHANM		5
535 42 58-01	SCREW IHANM		2
535 42 58-01	SCREW IHANM		2
535 42 58-02	SCREW IHANM		2
535 42 91-01	SPRING NUT		2
535 43 23-01	CONTROL CAP OUTER		1
535 43 27-01	DESIGN COVER TANK		1
535 43 60-01	KÄPSTÖTTÄ		2
535 43 86-01	BRACKET		1
535 43 88-01	TANK SUPPORT		1
535 44 67-01	HOUSING		1
535 44 68-01	LAMP		2
535 44 71-01	LAMP CHIMNEY		1
535 45 70-01	PLATE SPRING		1
535 45 97-01	COVER		1
535 46 29-01	SPACER		2
535 46 91-01	SWITCH		1
535 46 97-01	HOSE BRACE		2
535 47 54-01	CONTROL PLATE		1
535 47 65-01	CONTROL CAP INNER		1
722 78 39-02	BLIND RIVET		2
725 23 64-61	SCREW EHHFT		2
725 23 66-51	HEXAGONAL SCREW M6X12		3
725 24 49-51	SCREW		3
725 24 51-51	SCREW		3
725 24 95-71	SCREW EHHM		1
725 52 28-01	SCREW IHSCM		2
731 23 10-01	HEXAGON NUT		2
732 21 18-01	LOCK NUT		3
732 21 20-01	LOCK NUT		1
733 78 40-23	QUICK-ACTING LOCK NUT		2
734 11 24-01	WASHER		2
734 11 56-01	WASHER		3
740 48 12-02	O-RING		1

D



CONTROLS

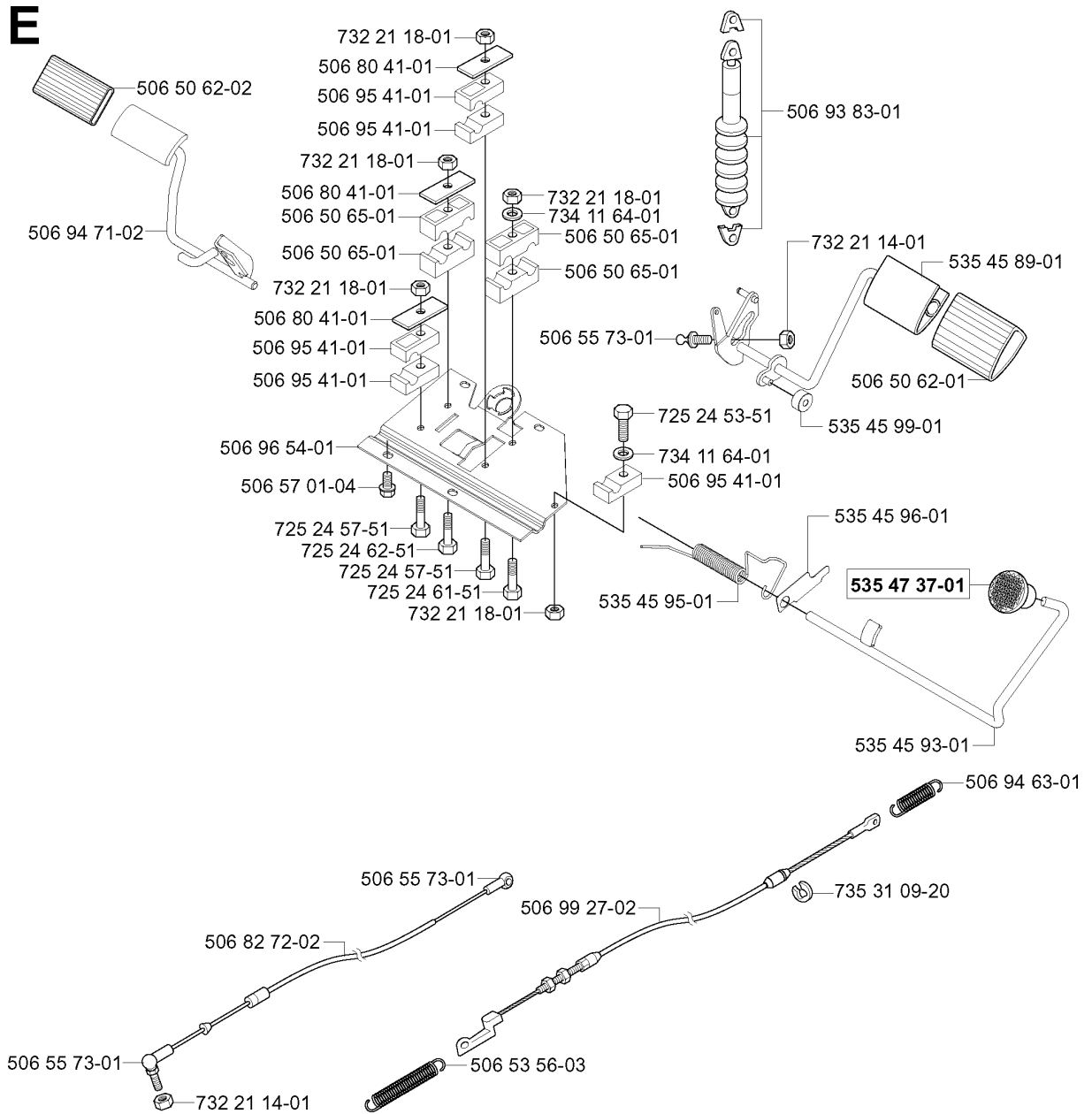
PROFLEX 18, 953522901, 2004-06

Part No	Description	Remark	QTY KIT
506 50 82-01	CLIP		1
506 51 57-01	WASHER		1
506 53 14-01	SPRING		1
506 53 15-01	SHAFT		1
506 54 20-01	HANDLE		1
506 55 43-01	BEARING		1
506 55 43-01	BEARING		1
506 55 46-08	CHAIN		1
506 55 47-01	LINKAGE		1
506 55 65-01	BEARING		1
506 55 65-01	BEARING		1
506 55 65-01	BEARING		2
506 55 65-01	BEARING		1
506 78 35-01	CONNECTION ROD		1
506 78 39-01	BUTTON		1
506 78 40-01	HITCH		1
506 78 41-01	SPRING		1
506 78 43-01	LINK ASSY		1
506 78 45-02	CONTROL LEVER		1
506 78 46-01	PEN		1
506 78 47-01	REGLERSPAK KPL.		1
506 79 17-01	HANDLE		1
506 79 24-01	THREAD		1
506 79 86-01	LÄNK KOPPLING KPL.		1
506 81 70-01	SPRING		1
506 83 94-01	SPRING WASHER		1
506 83 94-01	SPRING WASHER		1
506 85 45-01	HEIGHT ROD		1
506 86 39-03	THROTTLE CABLE ASSY	GAS	1
506 86 59-03	CONTROL		1
506 86 59-04	CONTROL		1
506 88 89-01	BUSHING		2
506 88 91-01	KNOB		1
506 88 91-02	KNOB		1
506 90 53-01	PEN		1
506 90 56-01	OFFSET PULLEY		1
506 90 56-01	OFFSET PULLEY		1
506 90 57-01	SHAFT		1
506 90 57-01	SHAFT		1
506 90 57-02	SHAFT	CORRECTION:	1
506 90 58-01	TUBE SLEEVE		1
506 90 58-01	TUBE SLEEVE		1
506 92 85-02	LOCKWASHER		1
506 92 85-02	LOCKWASHER		1
506 94 05-01	LIFTING ARM		1
506 94 08-01	CONNECTOR		1
506 94 09-01	LÄNKPLÅT KPL.		1
506 95 11-01	DRIVER ASSY		1
506 95 14-01	ACTUATOR		1
506 95 27-01	LIFT LEVER CMPL		1
506 95 30-01	PLATE SPRING		1
506 96 66-01	HAIR PIN COTTER		1
506 96 80-01	SHAFT		1
535 44 47-01	CLUTCH ROD REAR		1
721 42 56-01	SPRING PIN		1
721 61 83-01	SPLIT PIN		4
721 61 83-01	SPLIT PIN		1
721 61 83-01	SPLIT PIN		1
721 61 83-01	SPLIT PIN		1
721 61 83-01	SPLIT PIN		1
721 61 83-01	SPLIT PIN		1
721 62 01-01	SPLIT PIN		1
725 23 35-51	SCREW EHHM		1
725 23 68-51	SCREW		1
725 23 74-71	SCREW EHHM		1

CONTROLS

PROFLEX 18, 953522901, 2004-06

Part No	Description	Remark	QTY KIT
725 24 97-51	SCREW		1
725 25 42-51	SCREW EHHM		1
725 25 44-51	SCREW EHHM		1
729 44 08-01	SCREW SLCSRT		1
731 23 18-01	HEXAGON NUT		1
731 23 20-51	HEXAGON NUT		1
732 21 14-01	LOCK NUT		1
732 21 16-01	LOCK NUT		1
732 21 16-01	LOCK NUT		1
732 21 18-01	LOCK NUT		1
732 25 22-01	HEXAGON LOCKING NUT		1
732 25 22-01	HEXAGON LOCKING NUT		1
734 11 64-41	WASHER		1
734 11 72-01	WASHER		1
735 31 09-20	E-CLIP		1
735 31 09-20	E-CLIP		1
735 31 15-20	E-CLIP		1
735 31 15-20	E-CLIP		1
735 31 18-20	E-CLIP		1
735 31 18-20	E-CLIP		1
735 31 22-20	E-CLIP		1
735 31 22-20	E-CLIP		1

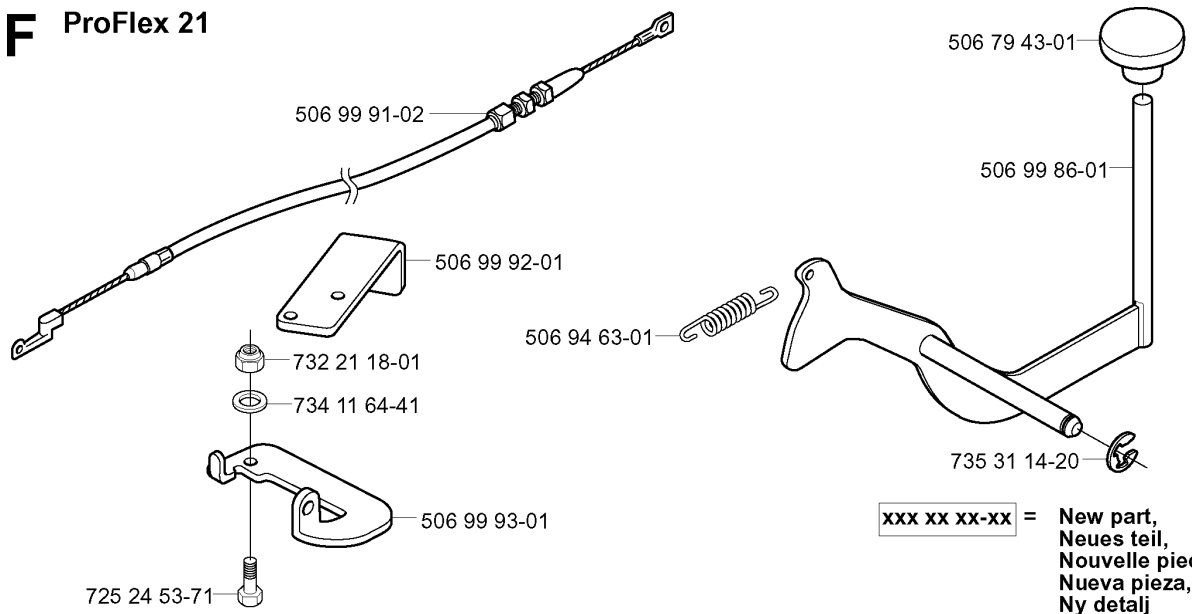


PEDALS

PROFLEX 18, 953522901, 2004-06

Part No	Description	Remark	QTY KIT
506 50 62-01	PEDAL RUBBER		1
506 50 62-02	PEDAL RUBBER		1
506 50 65-01	BEARING SUPPORT		1
506 50 65-01	BEARING SUPPORT		1
506 50 65-01	BEARING SUPPORT		1
506 50 65-01	BEARING SUPPORT		1
506 53 56-03	DRAW SPRING		1
506 55 73-01	VINKELL.AS8 DIN71802		1
506 55 73-01	VINKELL.AS8 DIN71802		1
506 55 73-01	VINKELL.AS8 DIN71802		1
506 57 01-04	SCREW EHHFM		1
506 80 41-01	PLATE		1
506 80 41-01	PLATE		1
506 80 41-01	PLATE		1
506 82 72-02	CONTROL CABLE		1
506 93 83-01	DAMPING PIECE		1
506 94 63-01	BRAKE SPRING		1
506 94 71-02	BRAKE PEDAL ASSY		1
506 95 41-01	BEARING SUPPORT		1
506 95 41-01	BEARING SUPPORT		1
506 95 41-01	BEARING SUPPORT		1
506 95 41-01	BEARING SUPPORT		1
506 95 41-01	BEARING SUPPORT		1
506 96 54-01	PEDAL PLATE		1
506 99 27-02	CABLE		1
535 45 89-01	HST-PEDAL M.FOTPL.		1
535 45 93-01	REVERSE PEDAL		1
535 45 95-01	SPRING		1
535 45 96-01	PLATE		1
535 45 99-01	ROLLER		1
535 47 37-01	KNOB		1
725 24 53-51	SCREW EHHM		1
725 24 57-51	SCREW		1
725 24 57-51	SCREW		1
725 24 61-51	SCREW EHHM		1
725 24 62-51	SCREW EHHM		1
732 21 14-01	LOCK NUT		1
732 21 14-01	LOCK NUT		1
732 21 18-01	LOCK NUT		1
732 21 18-01	LOCK NUT		1
732 21 18-01	LOCK NUT		1
732 21 18-01	LOCK NUT		1
732 21 18-01	LOCK NUT		1
734 11 64-01	WASHER		1
734 11 64-01	WASHER		1
735 31 09-20	E-CLIP		1

F ProFlex 21

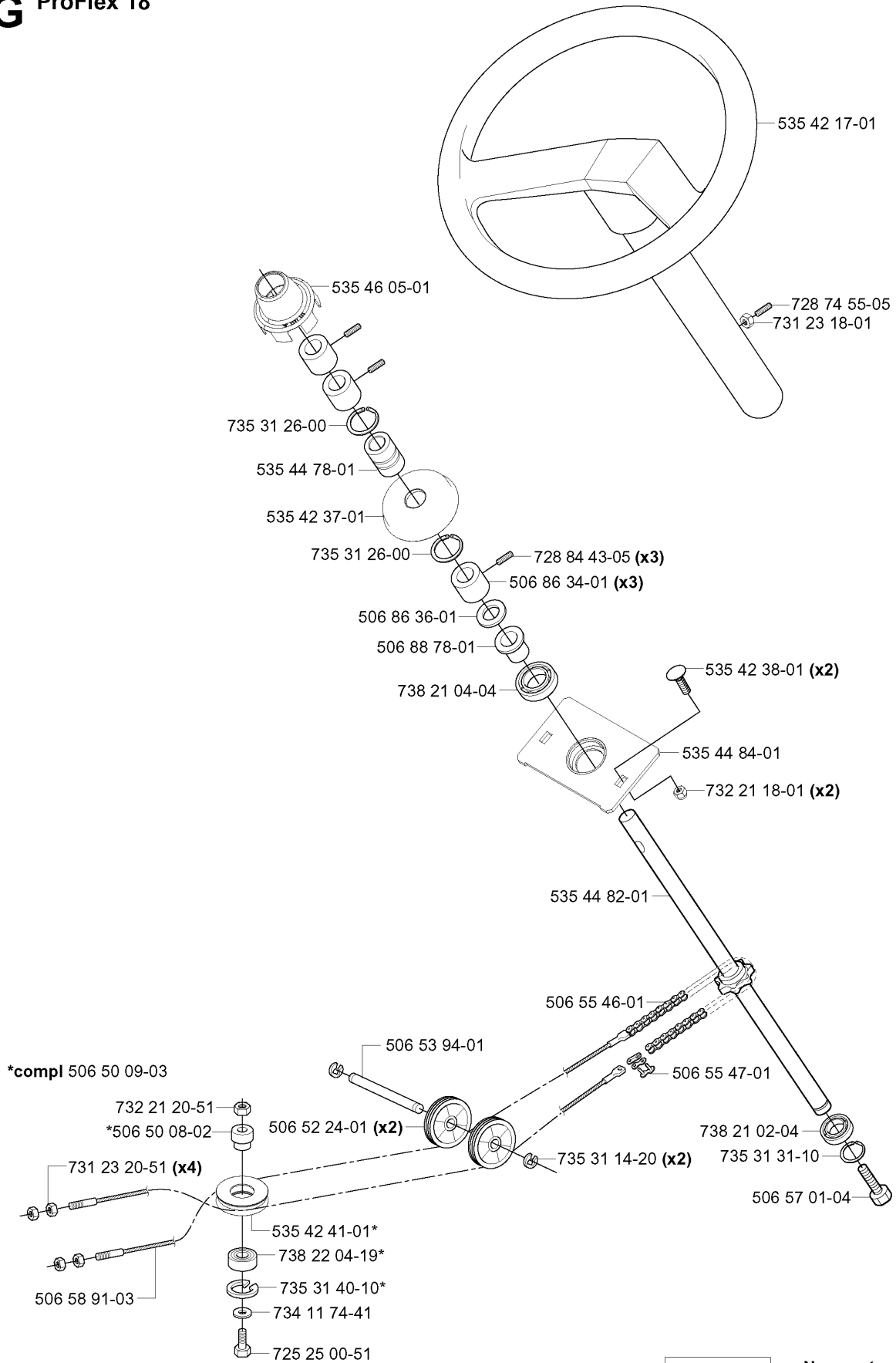


PEDALS

PROFLEX 18, 953522901, 2004-06

Part No	Description	Remark	QTY KIT
506 79 43-01	KNOB		1
506 94 63-01	BRAKE SPRING		1
506 99 86-01	DIFFERENTIAL PEDAL ASSY		1
506 99 91-02	DIFFWIRE		1
506 99 92-01	REAR ATTACHMENT		1
506 99 93-01	LEVER		1
725 24 53-71	SCREW EHHM		1
732 21 18-01	LOCK NUT		1
734 11 64-41	WASHER		1
735 31 14-20	E-CLIP		1

G ProFlex 18



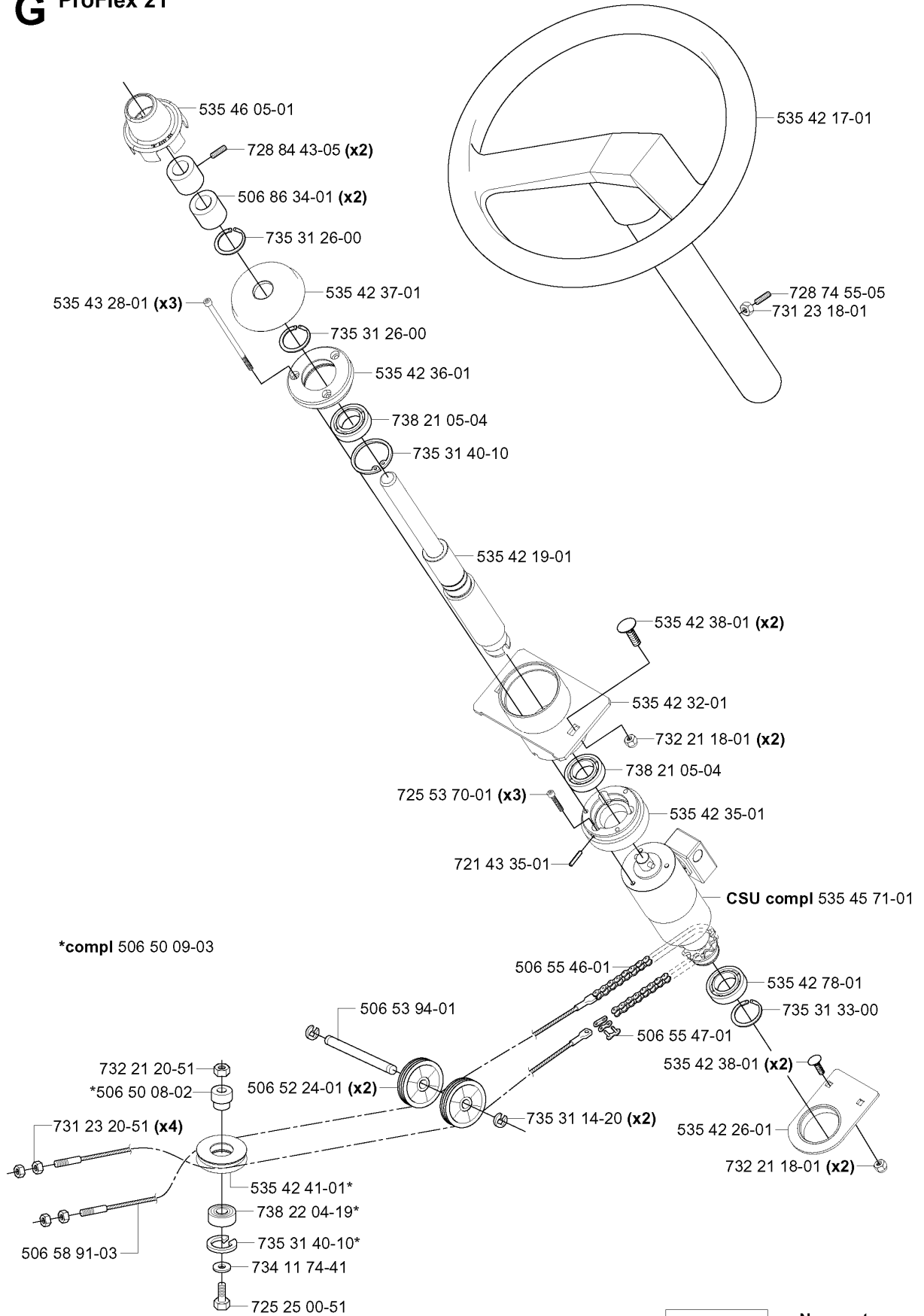
**xxx xx xx-xx = New part,
Neues teil,
Nouvelle piece,
Nueva pieza,
Ny detalj**

STEERING

PROFLEX 18, 953522901, 2004-06

Part No	Description	Remark	QTY KIT
506 50 08-02	BUSHING		1
506 50 09-03	BARRING WHEEL		1
506 52 24-01	STARTER PULLEY		2
506 53 94-01	SHAFT		1
506 55 46-01	CHAIN		1
506 55 47-01	LINKAGE		1
506 57 01-04	SCREW EHHFM		1
506 58 91-03	WIRE ASSY		1
506 86 34-01	DRIVER		3
506 86 36-01	WASHER		1
506 88 78-01	SPACER		1
535 42 17-01	STEERING WHEEL		1
535 42 37-01	BELLOWS		1
535 42 38-01	SCREW RSQM		2
535 42 41-01	BARRING WHEEL		1
535 44 78-01	DRIVER		1
535 44 82-01	ROD STEERING ASSY		1
535 44 84-01	BEARING CAGE		1
535 46 05-01	SEALING		1
725 25 00-51	SCREW EHHM		1
728 74 55-05	SCREW IHSETM		1
728 84 43-05	SCREW IHSETM		3
731 23 18-01	HEXAGON NUT		1
731 23 20-51	HEXAGON NUT		4
732 21 18-01	LOCK NUT		2
732 21 20-51	NUT		1
734 11 74-41	WASHER		1
735 31 14-20	E-CLIP		2
735 31 26-00	CIRCLIP		1
735 31 26-00	CIRCLIP		1
735 31 31-10	CIRCLIP		1
735 31 40-10	CIRCLIP		1
738 21 02-04	BALL BEARING		1
738 21 04-04	BALL BEARING		1
738 22 04-19	BALL BEARING		1

G ProFlex 21



*compl 506 50 09-03

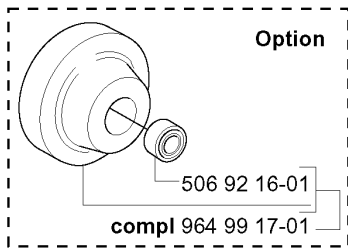
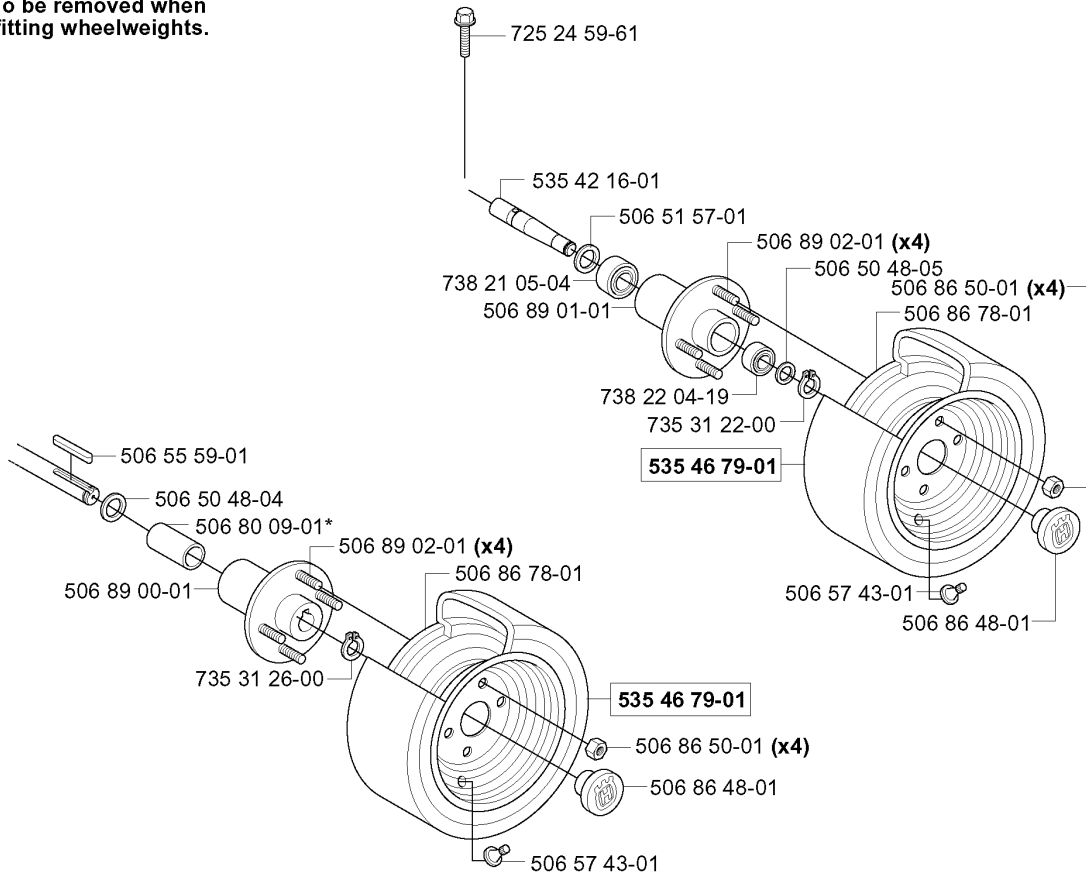
**xxx xx xx-xx = New part,
Neues teil,
Nouvelle piece,
Nueva pieza,
Ny detalj**

STEERING

PROFLEX 18, 953522901, 2004-06

Part No	Description	Remark	QTY KIT
506 50 08-02	BUSHING		1
506 50 09-03	BARRING WHEEL		1
506 52 24-01	STARTER PULLEY		2
506 53 94-01	SHAFT		1
506 55 46-01	CHAIN		1
506 55 47-01	LINKAGE		1
506 58 91-03	WIRE ASSY		1
506 86 34-01	DRIVER		2
535 42 17-01	STEERING WHEEL		1
535 42 19-01	STEERING ROD		1
535 42 26-01	BRACKET		1
535 42 32-01	SUPPORT		1
535 42 35-01	BEARING HOUSING		1
535 42 36-01	BEARING HOUSING		1
535 42 37-01	BELLOWS		1
535 42 38-01	SCREW RSQM		2
535 42 38-01	SCREW RSQM		2
535 42 41-01	BARRING WHEEL		1
535 42 78-01	BALL BEARING		1
535 43 28-01	SCREW IHSCM		3
535 45 71-01	COMFORT STEERING	CSU	1
535 46 05-01	SEALING		1
721 43 35-01	SPRING PIN		1
725 25 00-51	SCREW EHHM		1
725 53 70-01	SCREW IHSCM		3
728 74 55-05	SCREW IHSETM		1
728 84 43-05	SCREW IHSETM		2
731 23 18-01	HEXAGON NUT		1
731 23 20-51	HEXAGON NUT		4
732 21 18-01	LOCK NUT		2
732 21 18-01	LOCK NUT		2
732 21 20-51	NUT		1
734 11 74-41	WASHER		1
735 31 14-20	E-CLIP		2
735 31 26-00	CIRCLIP		1
735 31 26-00	CIRCLIP		1
735 31 33-00	CIRCLIP		1
735 31 40-10	CIRCLIP		1
735 31 40-10	CIRCLIP		1
738 21 05-04	BALL BEARING		1
738 21 05-04	BALL BEARING		1
738 22 04-19	BALL BEARING		1

H * To be removed when fitting wheelweights.

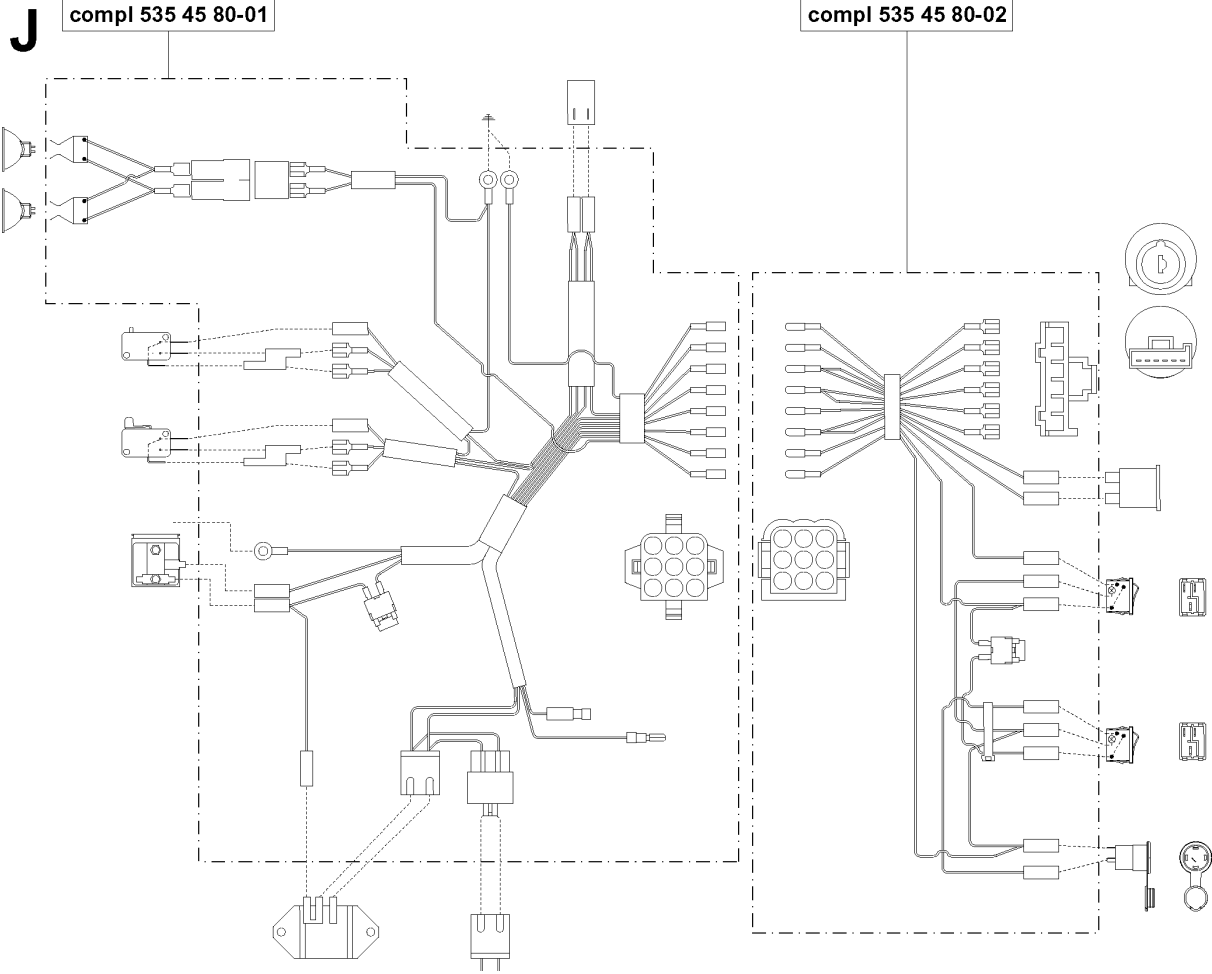


xxx xx xx-xx = New part,
Neues teil,
Nouvelle piece,
Nueva pieza,
Ny detalj

WHEELS & TIRES

PROFLEX 18, 953522901, 2004-06

Part No	Description	Remark	QTY KIT
506 50 48-04	WASHER		1
506 50 48-05	WASHER		1
506 51 57-01	WASHER		1
506 55 59-01	WEDGE		1
506 57 43-01	VALVE ASSY		1
506 57 43-01	VALVE ASSY		1
506 80 09-01	SLEEVE		1
506 86 48-01	PROTECTIVE COVER		1
506 86 48-01	PROTECTIVE COVER		1
506 86 50-01	WHEEL NUT		4
506 86 50-01	WHEEL NUT		4
506 86 78-01	RIM		1
506 86 78-01	RIM		1
506 89 00-01	HUB		1
506 89 01-01	HUB		1
506 89 02-01	BOLT		4
506 89 02-01	BOLT		4
506 92 16-01	BALL BEARING		1
535 42 16-01	WHEEL AXLE		1
535 46 79-01	TIRE		1
535 46 79-01	TIRE		1
725 24 59-61	SCREW EHHFT		1
735 31 22-00	CIRCLIP		1
735 31 26-00	CIRCLIP		1
738 21 05-04	BALL BEARING		1
738 22 04-19	BALL BEARING		1
964 99 17-01	WHEEL WEIGHT		1



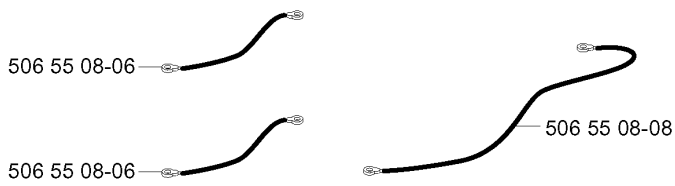
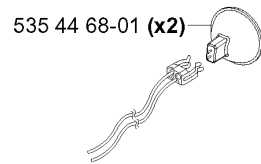
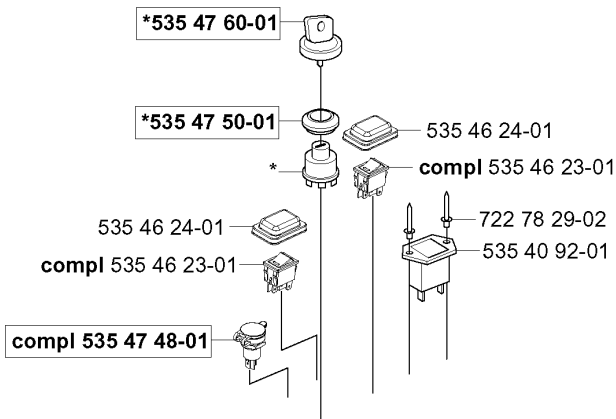
WIRING HARNESS

PROFLEX 18, 953522901, 2004-06

Part No	Description	Remark	QTY KIT
535 45 80-01	WIRING		1
535 45 80-02	WIRING		1

J

***compl 535 47 49-01**



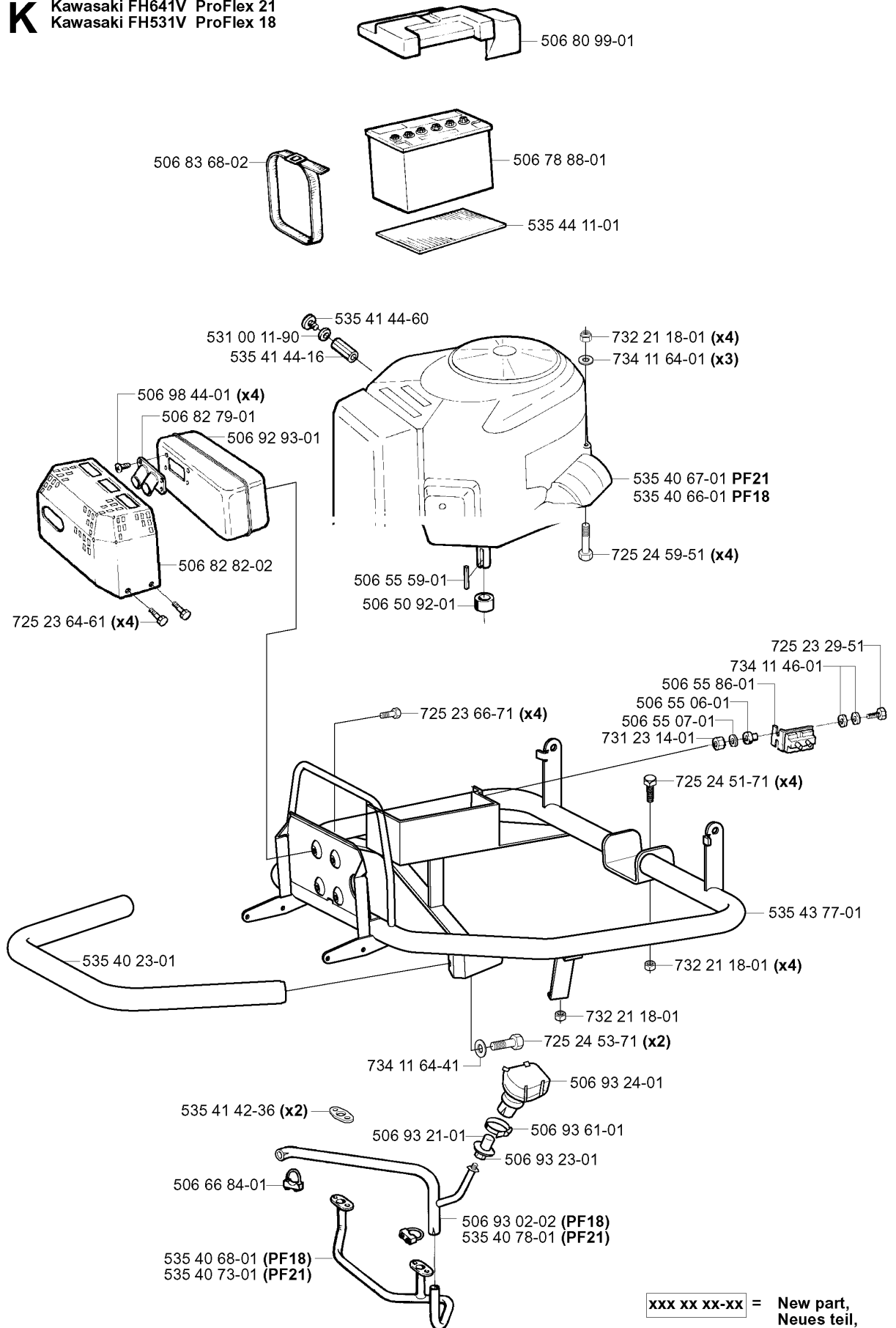
**xxx xx xx-xx = New part,
Neues teil,
Nouvelle piece,
Nueva pieza,
Ny detalj**

ELECTRICAL

PROFLEX 18, 953522901, 2004-06

Part No	Description	Remark	QTY KIT
506 55 08-06	STARTKABEL BATT-RELÄ		1
506 55 08-06	STARTKABEL BATT-RELÄ		1
506 55 08-08	STARTKABEL BATT-MOTO		1
535 40 92-01	HOUR METER		1
535 44 68-01	LAMP		2
535 46 23-01	SWITCH		1
535 46 23-01	SWITCH		1
535 46 24-01	SHIELDING MEDIUM		1
535 46 24-01	SHIELDING MEDIUM		1
535 47 48-01	POWER SOCKET		1
535 47 49-01	KEY SWITCH		1
535 47 50-01	WASHER		1
535 47 60-01	IGNITION KEY		1
722 78 29-02	BLIND RIVET		1

K Kawasaki FH641V ProFlex 21
Kawasaki FH531V ProFlex 18



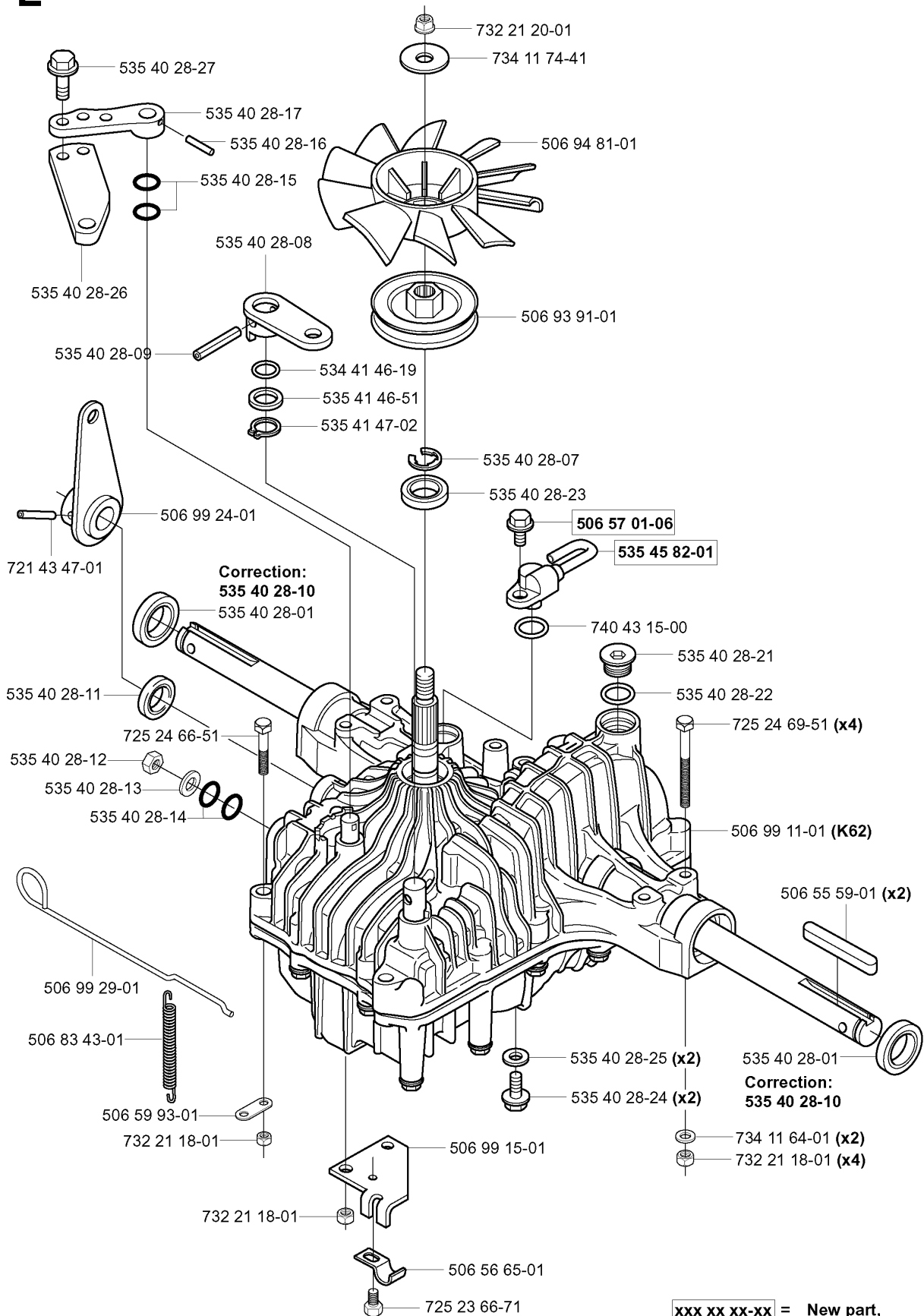
**xxx xx xx-xx = New part,
Neues teil,
Nouvelle piece,
Nueva pieza,
Ny detalj**

ENGINE

PROFLEX 18, 953522901, 2004-06

Part No	Description	Remark	QTY KIT
506 50 92-01	SPACING SLEEVE		1
506 55 06-01	PLUG		1
506 55 07-01	INSULATING WASHER		1
506 55 59-01	WEDGE		1
506 55 86-01	RELAY		1
506 66 84-01	CLAMP ASSY		1
506 78 88-01	BATTERY		1
506 80 99-01	BATTERY COVER		1
506 82 79-01	DEFLECTOR		1
506 82 82-02	BRÄNNSKYDD KPL CAT		1
506 83 68-02	BELT		1
506 92 93-01	MUFFLER		1
506 93 02-02	EXHAUST PIPE ASSY	PF18	1
506 93 21-01	HOSE		1
506 93 23-01	VALVE		1
506 93 24-01	FILTER		1
506 93 61-01	CLIP		1
506 98 44-01	SCREW		4
531 00 11-90	O-RING		1
535 40 23-01	HAND GUARD		1
535 40 66-01	MOTOR	PF18	1
535 40 67-01	MOTOR	PF21	1
535 40 68-01	GRENÖR KPL.	PF18	1
535 40 73-01	GRENÖR KPL.	PF21	1
535 40 78-01	EXHAUST PIPE ASSY	PF21	1
535 41 42-36	GASKET		2
535 41 44-16	JOINT		1
535 41 44-60	PLUG		1
535 43 77-01	ENGINE FRAME		1
535 44 11-01	BATTERY MAT		1
725 23 29-51	SCREW		1
725 23 64-61	SCREW EHHFT		4
725 23 66-71	SCREW EHHM		4
725 24 51-71	SCREW EHHM		4
725 24 53-71	SCREW EHHM		2
725 24 59-51	SCREW EHHM		4
731 23 14-01	HEXAGON NUT		1
732 21 18-01	LOCK NUT		1
732 21 18-01	LOCK NUT		4
732 21 18-01	LOCK NUT		4
734 11 46-01	WASHER		1
734 11 64-01	WASHER		3
734 11 64-41	WASHER		1

L K62 ProFlex 18



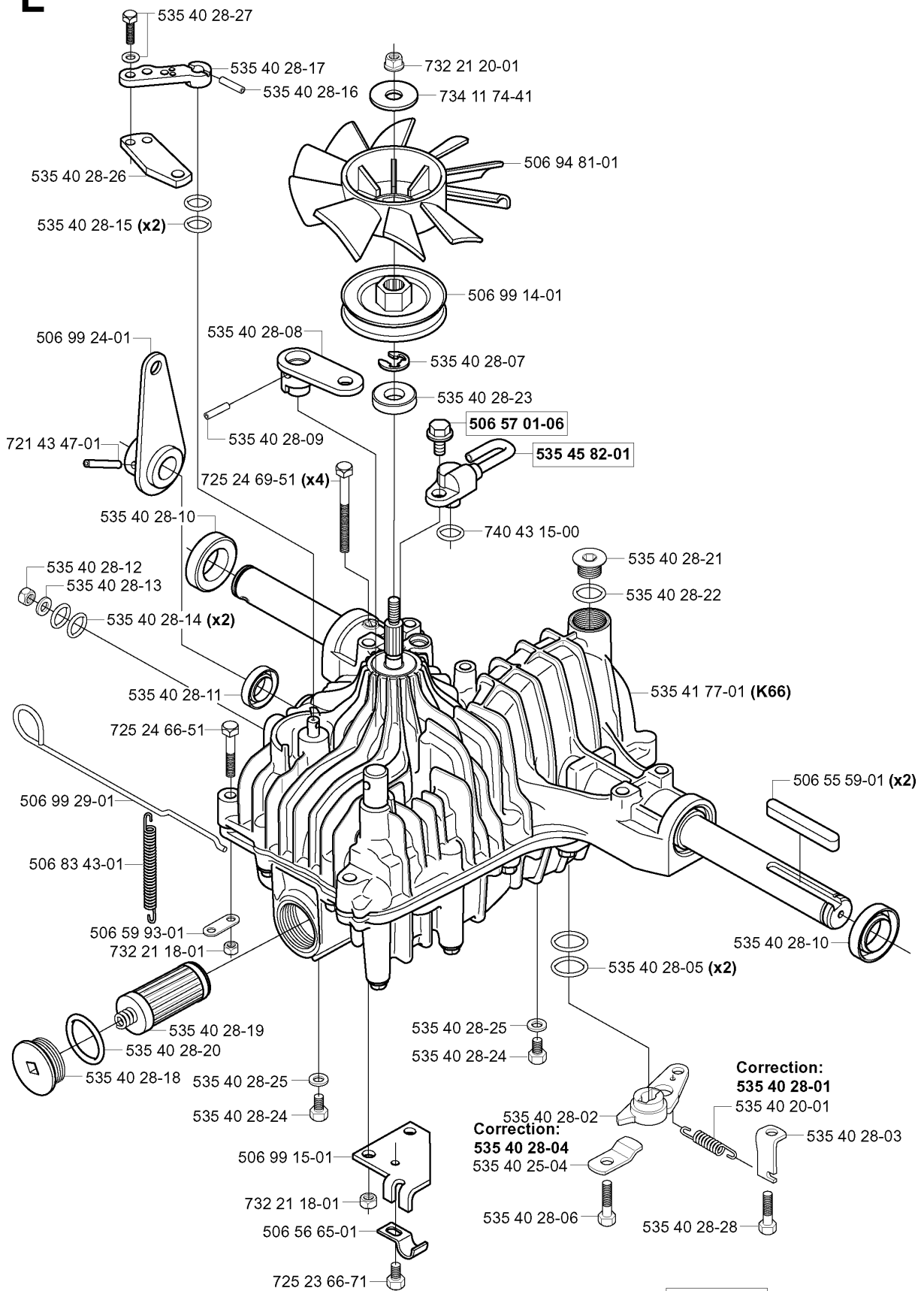
**xxx xx xx-xx = New part,
Neues teil,
Nouvelle piece,
Nueva pieza,
Ny detalj**

TRANSMISSION

PROFLEX 18, 953522901, 2004-06

Part No	Description	Remark	QTY KIT
506 55 59-01	WEDGE		2
506 56 65-01	CLIP		1
506 57 01-06	SCREW EHHFM		1
506 59 93-01	LINK		1
506 83 43-01	SPRING		1
506 93 91-01	PULLEY		1
506 94 81-01	FAN		1
506 99 11-01	TRANSMISSION	K62	1
506 99 15-01	BRACKET		1
506 99 24-01	LEVER		1
506 99 29-01	FRIKOPPLINGSSTÅNG		1
535 40 28-01	SPRING		1
535 40 28-01	SPRING		1
535 40 28-07	CLIP		1
535 40 28-08	BRAKE LEVER		1
535 40 28-09	PIN RETAINING SCREW		1
535 40 28-10	SEALING	CORRECTION:	1
535 40 28-10	SEALING	CORRECTION:	1
535 40 28-11	SEALING		1
535 40 28-12	NUT		1
535 40 28-13	WASHER		1
535 40 28-14	O-RING		1
535 40 28-15	O-RING		1
535 40 28-16	PIN RETAINING SCREW		1
535 40 28-17	LEVER		1
535 40 28-21	COVER		1
535 40 28-22	O-RING		1
535 40 28-23	SEALING		1
535 40 28-24	BOLT		2
535 40 28-25	WASHER		2
535 40 28-26	LEVER		1
535 40 28-27	BOLT		1
535 41 46-19	O-RING		1
535 41 46-51	WASHER		1
535 41 47-02	RETAINER RING		1
535 45 82-01	HOSE COUPLING		1
721 43 47-01	SPRING PIN		1
725 23 66-71	SCREW EHHM		1
725 24 66-51	SCREW		1
725 24 69-51	SCREW EHHM		4
732 21 18-01	LOCK NUT		4
732 21 18-01	LOCK NUT		1
732 21 18-01	LOCK NUT		1
732 21 20-01	LOCK NUT		1
734 11 64-01	WASHER		2
734 11 74-41	WASHER		1
740 43 15-00	O-RING		1

L K66 ProFlex 21



Correction:
 535 40 28-01
 535 40 20-01

Correction:
 535 40 28-04
 535 40 25-04

535 40 28-02
 535 40 28-03
 535 40 28-06
 535 40 28-28

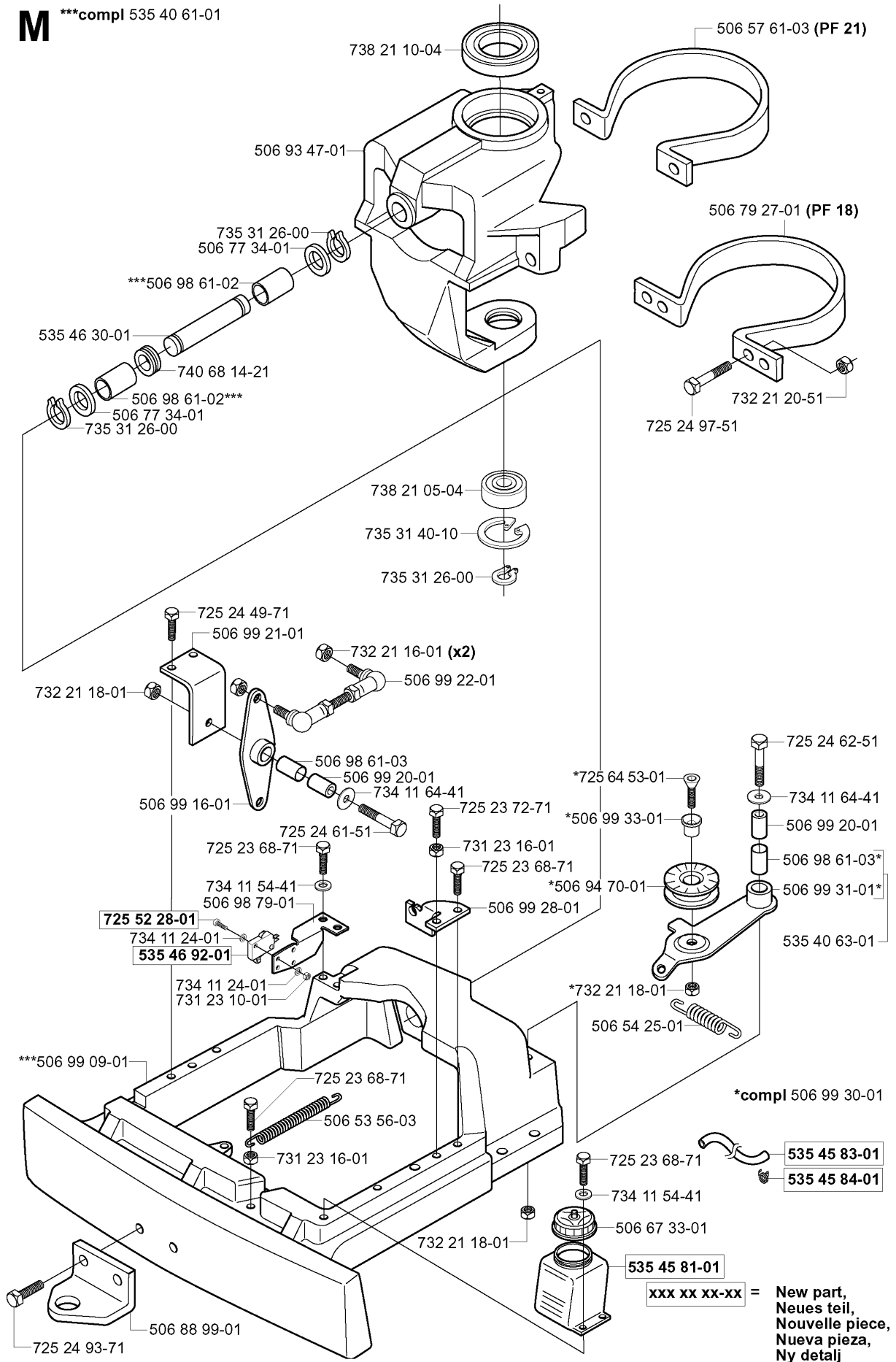
**xxx xx xx-xx = New part,
 Neues teil,
 Nouvelle piece,
 Nueva pieza,
 Ny detalj**

TRANSMISSION

PROFLEX 18, 953522901, 2004-06

Part No	Description	Remark	QTY KIT
506 55 59-01	WEDGE		2
506 56 65-01	CLIP		1
506 57 01-06	SCREW EHHFM		1
506 59 93-01	LINK		1
506 83 43-01	SPRING		1
506 94 81-01	FAN		1
506 99 14-01	PULLEY		1
506 99 15-01	BRACKET		1
506 99 24-01	LEVER		1
506 99 29-01	FRIKOPPLINGSSTÅNG		1
535 40 20-01	WIRING		1
535 40 25-04	BRACKET		1
535 40 28-01	SPRING	CORRECTION:	1
535 40 28-02	LEVER		1
535 40 28-03	PAWL		1
535 40 28-04	HOLDER	CORRECTION:	1
535 40 28-05	O-RING		2
535 40 28-06	SCREW		1
535 40 28-07	CLIP		1
535 40 28-08	BRAKE LEVER		1
535 40 28-09	PIN RETAINING SCREW		1
535 40 28-10	SEALING		1
535 40 28-10	SEALING		1
535 40 28-11	SEALING		1
535 40 28-12	NUT		1
535 40 28-13	WASHER		1
535 40 28-14	O-RING		2
535 40 28-15	O-RING		2
535 40 28-16	PIN RETAINING SCREW		1
535 40 28-17	LEVER		1
535 40 28-18	COVER		1
535 40 28-19	FILTER		1
535 40 28-20	O-RING		1
535 40 28-21	COVER		1
535 40 28-22	O-RING		1
535 40 28-23	SEALING		1
535 40 28-24	BOLT		1
535 40 28-24	BOLT		1
535 40 28-25	WASHER		1
535 40 28-25	WASHER		1
535 40 28-26	LEVER		1
535 40 28-27	BOLT		1
535 40 28-28	SCREW		1
535 41 77-01	TRANSMISSION	K66	1
535 45 82-01	HOSE COUPLING		1
721 43 47-01	SPRING PIN		1
725 23 66-71	SCREW EHHM		1
725 24 66-51	SCREW		1
725 24 69-51	SCREW EHHM		4
732 21 18-01	LOCK NUT		1
732 21 18-01	LOCK NUT		1
732 21 20-01	LOCK NUT		1
734 11 74-41	WASHER		1
740 43 15-00	O-RING		1

M ***compl 535 40 61-01

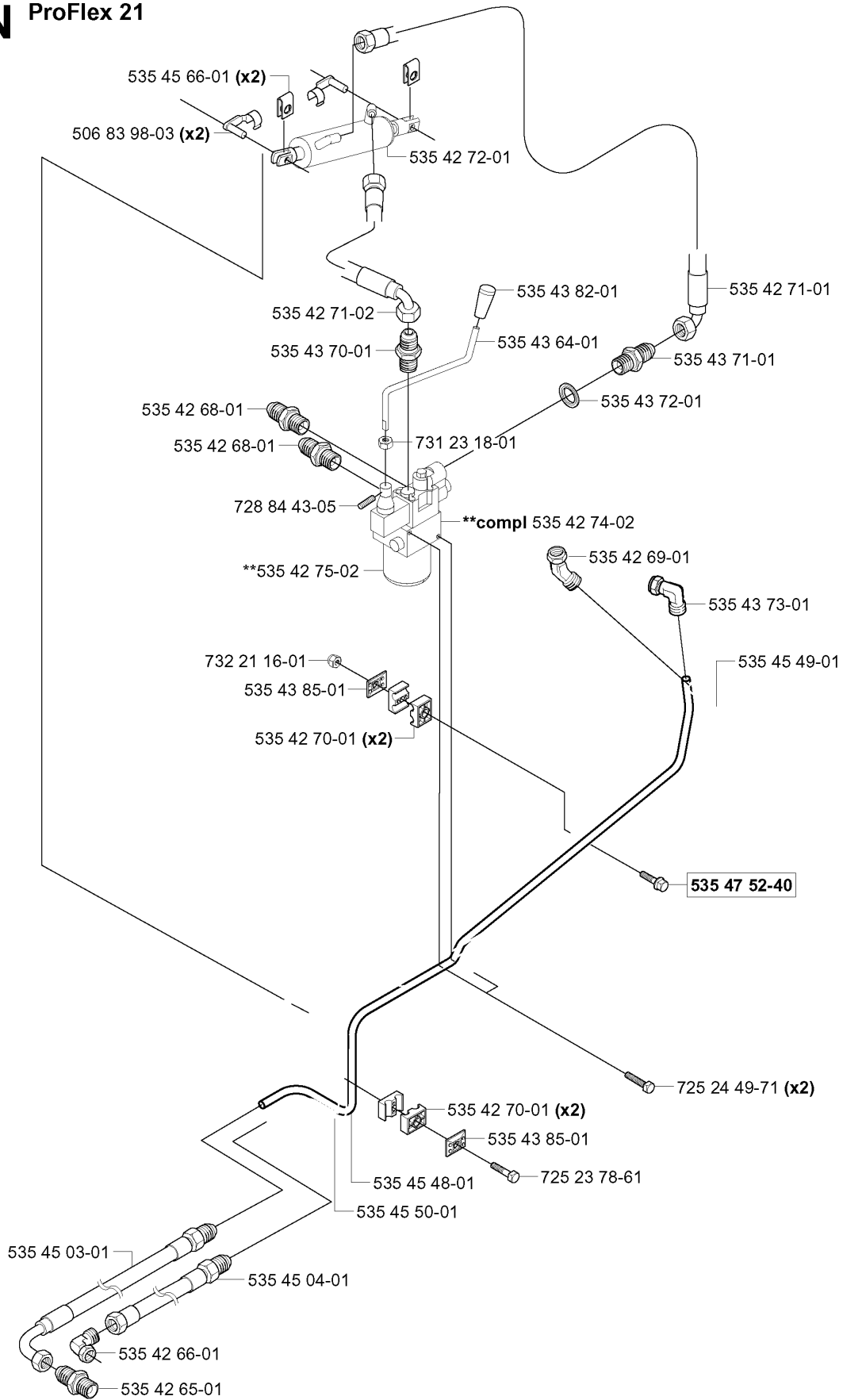


STEERING COLUMN

PROFLEX 18, 953522901, 2004-06

Part No	Description	Remark	QTY KIT
506 53 56-03	DRAW SPRING		1
506 54 25-01	SPRING		1
506 57 61-03	STYRKANS	PF 21	1
506 67 33-01	TANK CAP ASSY		1
506 77 34-01	WASHER		1
506 77 34-01	WASHER		1
506 79 27-01	STYRKANS	PF 18	1
506 88 99-01	HITCH		1
506 93 47-01	SPINDLE		1
506 94 70-01	BELT TENSIONER WHEEL		1
506 98 61-02	GLIDLAGER		1
506 98 61-02	GLIDLAGER		1
506 98 61-03	BUSHING		1
506 98 61-03	BUSHING		1
506 98 79-01	BRACKET		1
506 99 09-01	HST-KONSOL K62/66		1
506 99 16-01	LEVER		1
506 99 20-01	PIPE		1
506 99 20-01	PIPE		1
506 99 21-01	LEVER		1
506 99 22-01	ADJUSTMENT ROD		1
506 99 28-01	BRACKET		1
506 99 30-01	BELT TENSIONER ASSY		1
506 99 31-01	BELT TENSIONER ASSY		1
506 99 33-01	SLEEVE		1
535 40 61-01	BRACKET		1
535 40 63-01	BELT TENSIONER ASSY		1
535 45 81-01	EXPANSION TANK		1
535 45 83-01	HOSE		1
535 45 84-01	HOSE CLAMP		1
535 46 30-01	SWING AXLE		1
535 46 92-01	SWITCH		1
725 23 68-71	SCREW EHHM		1
725 23 68-71	SCREW EHHM		1
725 23 68-71	SCREW EHHM		1
725 23 68-71	SCREW EHHM		1
725 23 72-71	SCREW EHHM		1
725 24 49-71	SCREW EHHM		1
725 24 61-51	SCREW EHHM		1
725 24 62-51	SCREW EHHM		1
725 24 93-71	SCREW EHHM		1
725 24 97-51	SCREW		1
725 52 28-01	SCREW IHSCM		1
725 64 53-01	SCREW IHCSFM		1
731 23 10-01	HEXAGON NUT		1
731 23 16-01	HEXAGON NUT		1
731 23 16-01	HEXAGON NUT		1
732 21 16-01	LOCK NUT		2
732 21 18-01	LOCK NUT		1
732 21 18-01	LOCK NUT		1
732 21 18-01	LOCK NUT		1
732 21 20-51	NUT		1
734 11 24-01	WASHER		1
734 11 24-01	WASHER		1
734 11 54-41	WASHER		1
734 11 54-41	WASHER		1
734 11 64-41	WASHER		1
734 11 64-41	WASHER		1
735 31 26-00	CIRCLIP		1
735 31 26-00	CIRCLIP		1
735 31 26-00	CIRCLIP		1
735 31 40-10	CIRCLIP		1
738 21 05-04	BALL BEARING		1
738 21 10-04	BALL BEARING		1
740 68 14-21	V-RING		1

N ProFlex 21



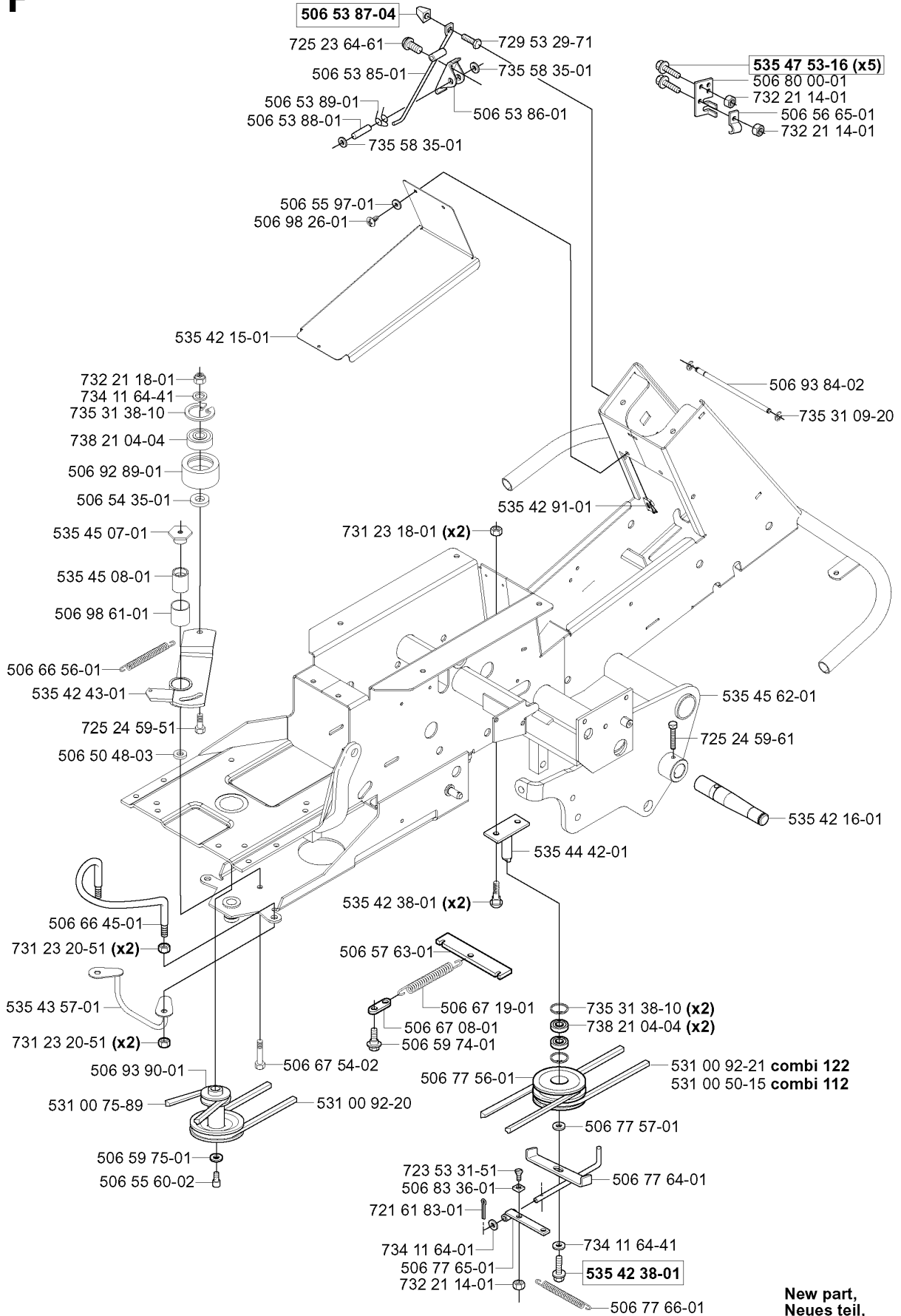
xxx xx xx-xx = New part,
Neues teil,
Nouvelle piece,
Nueva pieza,
Ny detalj

TRANSMISSION

PROFLEX 18, 953522901, 2004-06

Part No	Description	Remark	QTY KIT
506 83 98-03	BOLT		2
535 42 65-01	PIPE FITTING		1
535 42 66-01	PIPE FITTING		1
535 42 68-01	PIPE FITTING		1
535 42 68-01	PIPE FITTING		1
535 42 69-01	PIPE FITTING		1
535 42 70-01	PIPE CLAMP		2
535 42 70-01	PIPE CLAMP		2
535 42 71-01	HYDRAULIC HOSE		1
535 42 71-02	HYDRAULIC HOSE		1
535 42 72-01	CYLINDER ASSY		1
535 42 74-02	FILTERBLOCK ASSY		1
535 42 75-02	FILTER		1
535 43 64-01	VALVE BAR		1
535 43 70-01	PIPE FITTING		1
535 43 71-01	PIPE FITTING		1
535 43 72-01	WASHER		1
535 43 73-01	PIPE FITTING		1
535 43 82-01	KNOB		1
535 43 85-01	COVER WASHER		1
535 43 85-01	COVER WASHER		1
535 45 03-01	HYDRAULIC HOSE		1
535 45 04-01	HYDRAULIC HOSE		1
535 45 48-01	PIPE ASSY		1
535 45 49-01	HYDRAULIC PIPE		1
535 45 50-01	PIPE ASSY		1
535 45 66-01	U-PLÁT		2
535 47 52-40	SCREW EHHFM		1
725 23 78-61	SCREW EHHFT		1
725 24 49-71	SCREW EHHM		2
728 84 43-05	SCREW IHSETM		1
731 23 18-01	HEXAGON NUT		1
732 21 16-01	LOCK NUT		1

P



**New part,
Neues teil,
Nouvelle piece,
Nueva pieza,
Ny detalj**

xxx xx xx-xx =

FRAME

PROFLEX 18, 953522901, 2004-06

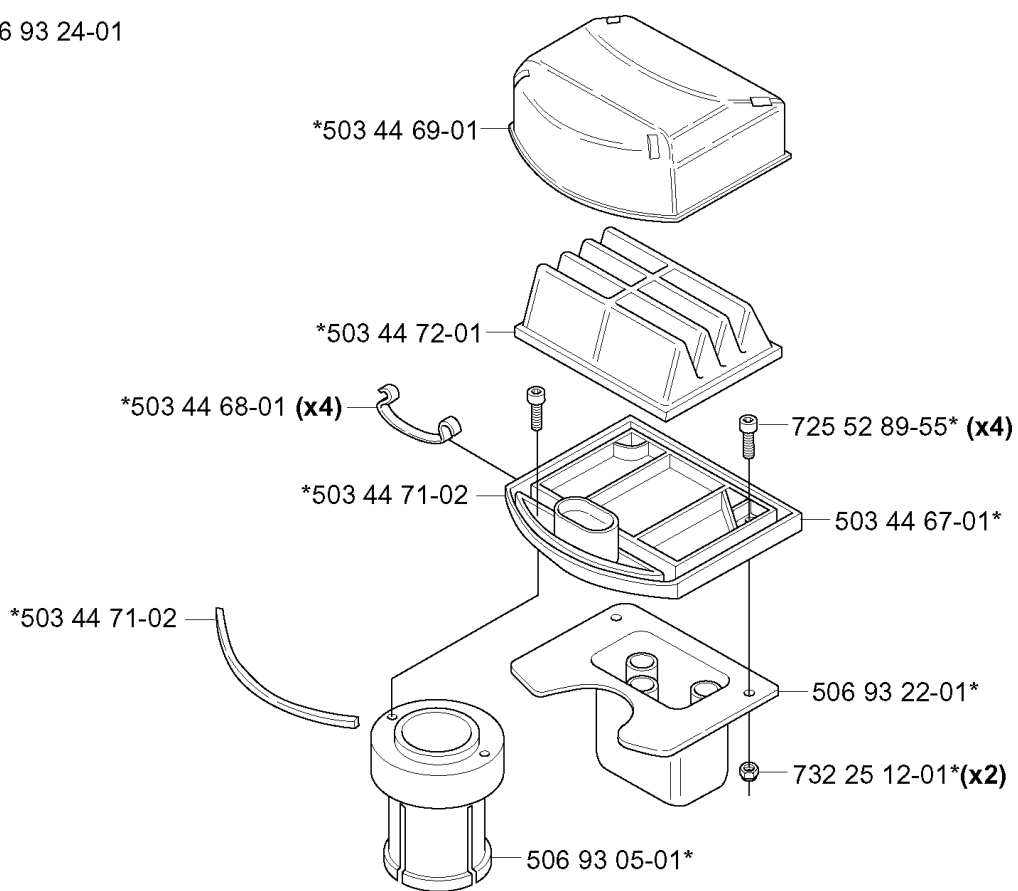
Part No	Description	Remark	QTY KIT
506 50 48-03	WASHER		1
506 53 85-01	LOCKING ARM		1
506 53 86-01	BRACKET		1
506 53 87-04	CONTROL BUTTON		1
506 53 88-01	SHAFT		1
506 53 89-01	SPRING		1
506 54 35-01	BUSHING		1
506 55 60-02	SCREW UNC		1
506 55 97-01	WASHER		1
506 56 65-01	CLIP		1
506 57 63-01	SPRING RETAINER		1
506 59 74-01	SCREW EHHFM		1
506 59 75-01	WASHER		1
506 66 45-01	BELT GUIDE		1
506 66 56-01	SPRING		1
506 67 08-01	LINK		1
506 67 19-01	SPRING		1
506 67 54-02	SCREW EHHFM		1
506 77 56-01	MELLANHJUL		1
506 77 57-01	WASHER		1
506 77 64-01	CONSOLE		1
506 77 65-01	ARM		1
506 77 66-01	SPRING		1
506 80 00-01	BRACKET		1
506 83 36-01	BRAKE LINING		1
506 92 89-01	PULLEY		1
506 93 84-02	SHAFT		1
506 93 90-01	PULLEY		1
506 98 26-01	SCREW		1
506 98 61-01	GLIDLAGER		1
531 00 50-15	BELT	COMBI 112	1
531 00 75-89	BELT		1
531 00 92-20	BELT		1
531 00 92-21	BELT	COMBI 122	1
535 42 15-01	LOCK GOLVTUNNEL		1
535 42 16-01	WHEEL AXLE		1
535 42 38-01	SCREW RSQM		2
535 42 38-01	SCREW RSQM		1
535 42 43-01	BELT TENSIONER ASSY		1
535 42 91-01	SPRING NUT		1
535 43 57-01	HOSE CLIP		1
535 44 42-01	MELLANLAGRING KPL		1
535 45 07-01	NUT		1
535 45 08-01	BEARING PIPE		1
535 45 62-01	FRAME		1
535 47 53-16	SCREW EHHFM		5
721 61 83-01	SPLIT PIN		1
723 53 31-51	SCREW SLCSFM		1
725 23 64-61	SCREW EHHFT		1
725 24 59-51	SCREW EHHM		1
725 24 59-61	SCREW EHHFT		1
729 53 29-71	SCREW CRPANT		1
731 23 18-01	HEXAGON NUT		2
731 23 20-51	HEXAGON NUT		2
731 23 20-51	HEXAGON NUT		2
732 21 14-01	LOCK NUT		1
732 21 14-01	LOCK NUT		1
732 21 14-01	LOCK NUT		1
732 21 18-01	LOCK NUT		1
734 11 64-01	WASHER		1
734 11 64-41	WASHER		1
734 11 64-41	WASHER		1
735 31 09-20	E-CLIP		1
735 31 38-10	CIRCLIP		2

FRAME

PROFLEX 18, 953522901, 2004-06

Part No	Description	Remark	QTY KIT
735 31 38-10	CIRCLIP		1
735 58 35-01	WASHER		1
735 58 35-01	WASHER		1
738 21 04-04	BALL BEARING		2
738 21 04-04	BALL BEARING		1

Q *compl 506 93 24-01

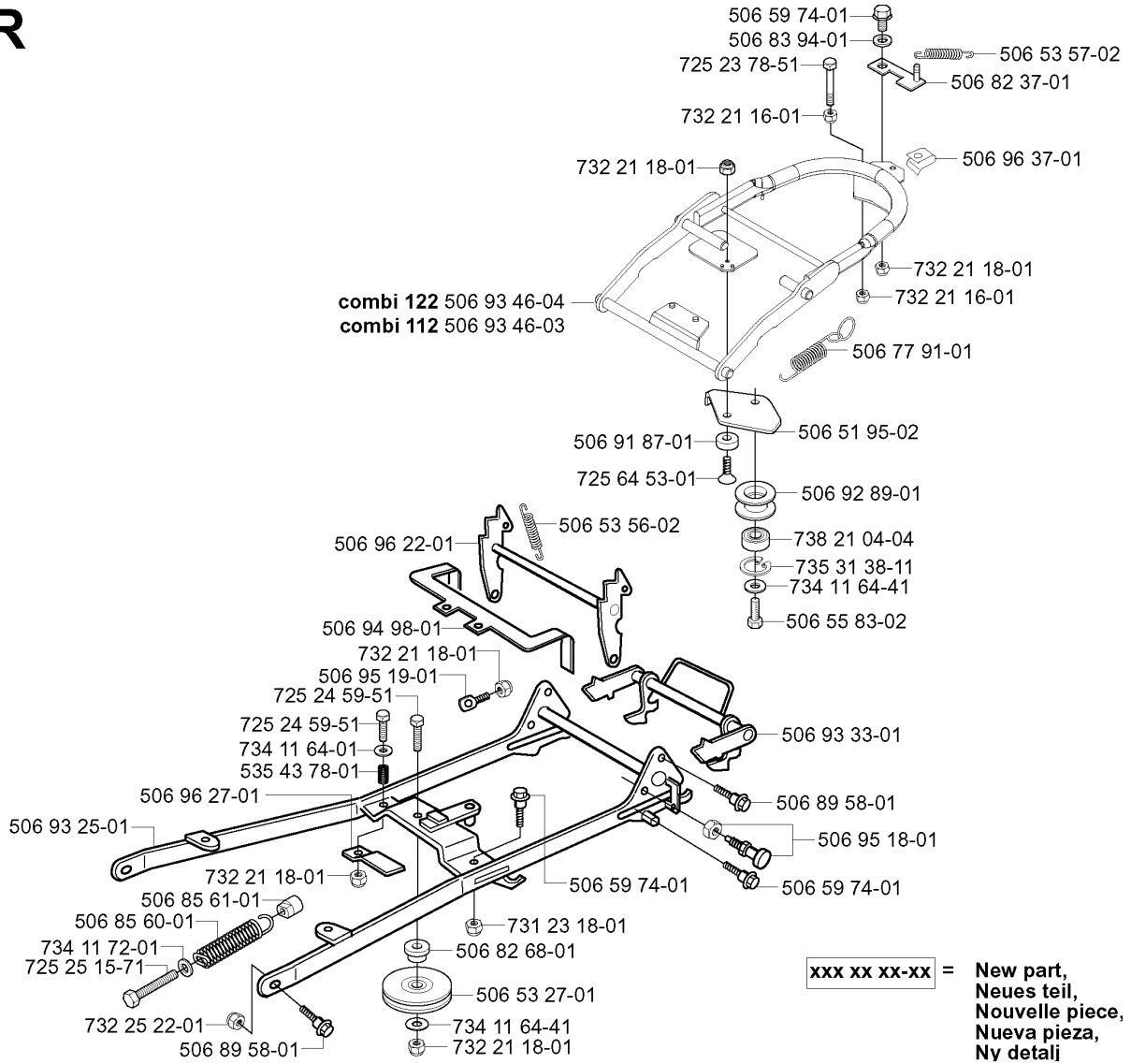


AIR FILTER

PROFLEX 18, 953522901, 2004-06

Part No	Description	Remark	QTY KIT
503 44 67-01	FILTER HOLDER		1
503 44 68-01	SPRING		4
503 44 69-01	FILTER HOLDER		1
503 44 71-02	GASKET		1
503 44 71-02	GASKET		1
503 44 72-01	AIR FILTER		1
506 93 05-01	CONNECTION		1
506 93 22-01	MUFFLER		1
506 93 24-01	FILTER		1
725 52 89-55	SCREW IHSCM		4
732 25 12-01	HEXAGON LOCKING NUT		2

R

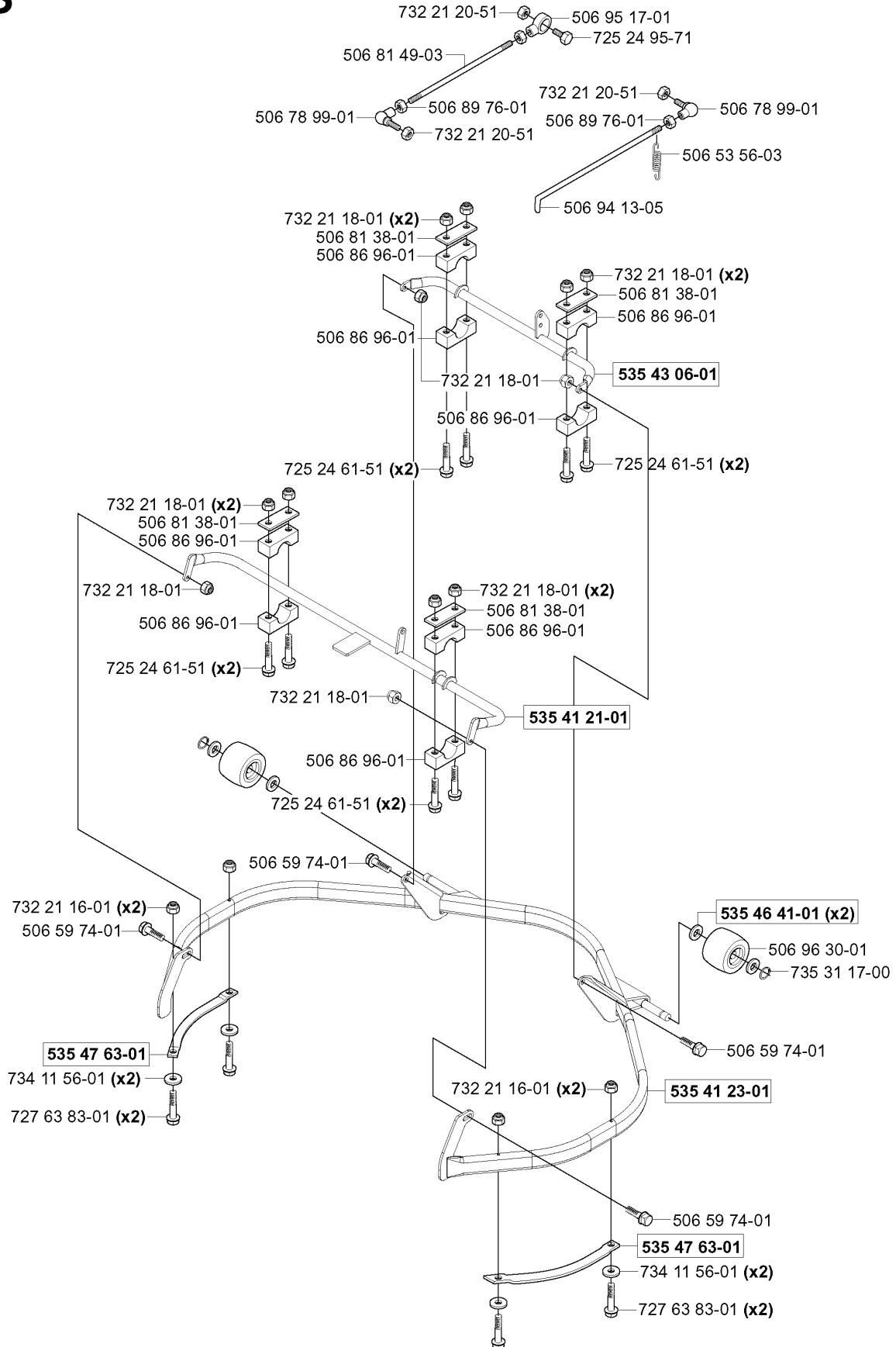


FRAME

PROFLEX 18, 953522901, 2004-06

Part No	Description	Remark	QTY KIT
506 51 95-02	SPÄNNARM KPL.		1
506 53 27-01	PULLEY		1
506 53 56-02	SPRING		1
506 53 57-02	SPRING		1
506 55 83-02	SCREW EHHFT		1
506 59 74-01	SCREW EHHFM		1
506 59 74-01	SCREW EHHFM		1
506 59 74-01	SCREW EHHFM		1
506 77 91-01	SPRING		1
506 82 37-01	CATCH		1
506 82 68-01	BUSHING		1
506 83 94-01	SPRING WASHER		1
506 85 60-01	SPRING		1
506 85 61-01	NUT		1
506 89 58-01	COLLAR SCREW		1
506 89 58-01	COLLAR SCREW		1
506 91 87-01	WASHER		1
506 92 89-01	PULLEY		1
506 93 25-01	EQUIPMENT FRAME ASSY		1
506 93 33-01	CATCH		1
506 93 46-03	DECK ATTACHMENT ASSY	COMBI 112	1
506 93 46-04	DECK ATTACHMENT ASSY	COMBI 122	1
506 94 98-01	RAMSTOPP		1
506 95 18-01	BOLT		1
506 95 19-01	PENDULUM		1
506 96 22-01	HOOK PROTECTION ASSY		1
506 96 27-01	BELT GUIDE		1
506 96 37-01	LÅSDON		1
535 43 78-01	COMPRESSION SPRING		1
725 23 78-51	SCREW EHHM		1
725 24 59-51	SCREW EHHM		1
725 24 59-51	SCREW EHHM		1
725 25 15-71	SCREW EHHM		1
725 64 53-01	SCREW IHCSFM		1
731 23 18-01	HEXAGON NUT		1
732 21 16-01	LOCK NUT		1
732 21 16-01	LOCK NUT		1
732 21 18-01	LOCK NUT		1
732 21 18-01	LOCK NUT		1
732 21 18-01	LOCK NUT		1
732 21 18-01	LOCK NUT		1
732 21 18-01	LOCK NUT		1
732 25 22-01	HEXAGON LOCKING NUT		1
734 11 64-01	WASHER		1
734 11 64-41	WASHER		1
734 11 64-41	WASHER		1
734 11 72-01	WASHER		1
735 31 38-11	CIRCLIP		1
738 21 04-04	BALL BEARING		1

S Combi 112



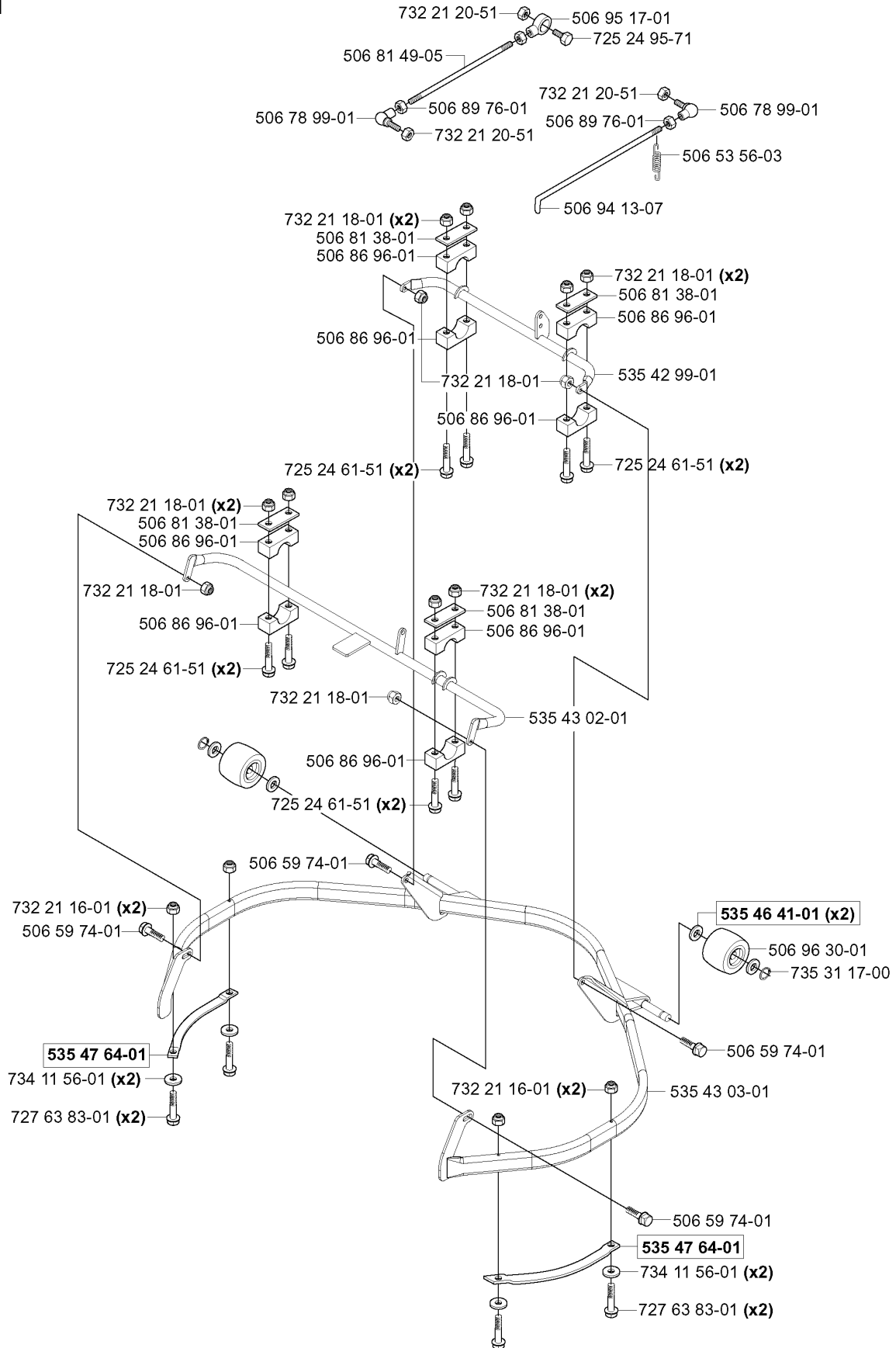
xxx xx xx-xx = New part,
Neues teil,
Nouvelle piece,
Nueva pieza,
Ny detalj

PROTECTION FRAME

PROFLEX 18, 953522901, 2004-06

Part No	Description	Remark	QTY KIT
506 53 56-03	DRAW SPRING		1
506 59 74-01	SCREW EHHFM		1
506 59 74-01	SCREW EHHFM		1
506 59 74-01	SCREW EHHFM		1
506 59 74-01	SCREW EHHFM		1
506 59 74-01	SCREW EHHFM		1
506 78 99-01	VINKELLÄNK DIN 71802		1
506 78 99-01	VINKELLÄNK DIN 71802		1
506 81 38-01	REINFORCING PLATE		1
506 81 38-01	REINFORCING PLATE		1
506 81 38-01	REINFORCING PLATE		1
506 81 38-01	REINFORCING PLATE		1
506 81 49-03	ROD		1
506 86 96-01	BEARING		1
506 86 96-01	BEARING		1
506 86 96-01	BEARING		1
506 86 96-01	BEARING		1
506 86 96-01	BEARING		1
506 86 96-01	BEARING		1
506 86 96-01	BEARING		1
506 86 96-01	BEARING		1
506 89 76-01	NUT		1
506 89 76-01	NUT		1
506 94 13-05	CONNECTION ROD		1
506 95 17-01	ROD END		1
506 96 30-01	WHEEL ASSY		1
535 41 21-01	REAR CROSS TUBES ASS		1
535 41 23-01	PROTECTIVE TUBING		1
535 43 06-01	FRONT CROSS TUBE ASS		1
535 46 41-01	WASHER		2
535 47 63-01	SIDE RAIL		1
535 47 63-01	SIDE RAIL		1
725 24 61-51	SCREW EHHM		2
725 24 61-51	SCREW EHHM		2
725 24 61-51	SCREW EHHM		2
725 24 61-51	SCREW EHHM		2
725 24 95-71	SCREW EHHM		1
727 63 83-01	SCREW RSQM		2
727 63 83-01	SCREW RSQM		2
732 21 16-01	LOCK NUT		2
732 21 16-01	LOCK NUT		2
732 21 18-01	LOCK NUT		2
732 21 18-01	LOCK NUT		2
732 21 18-01	LOCK NUT		1
732 21 18-01	LOCK NUT		2
732 21 18-01	LOCK NUT		1
732 21 18-01	LOCK NUT		2
732 21 18-01	LOCK NUT		1
732 21 20-51	NUT		1
732 21 20-51	NUT		1
732 21 20-51	NUT		1
734 11 56-01	WASHER		2
734 11 56-01	WASHER		2
735 31 17-00	CIRCLIP		1

T Combi 122



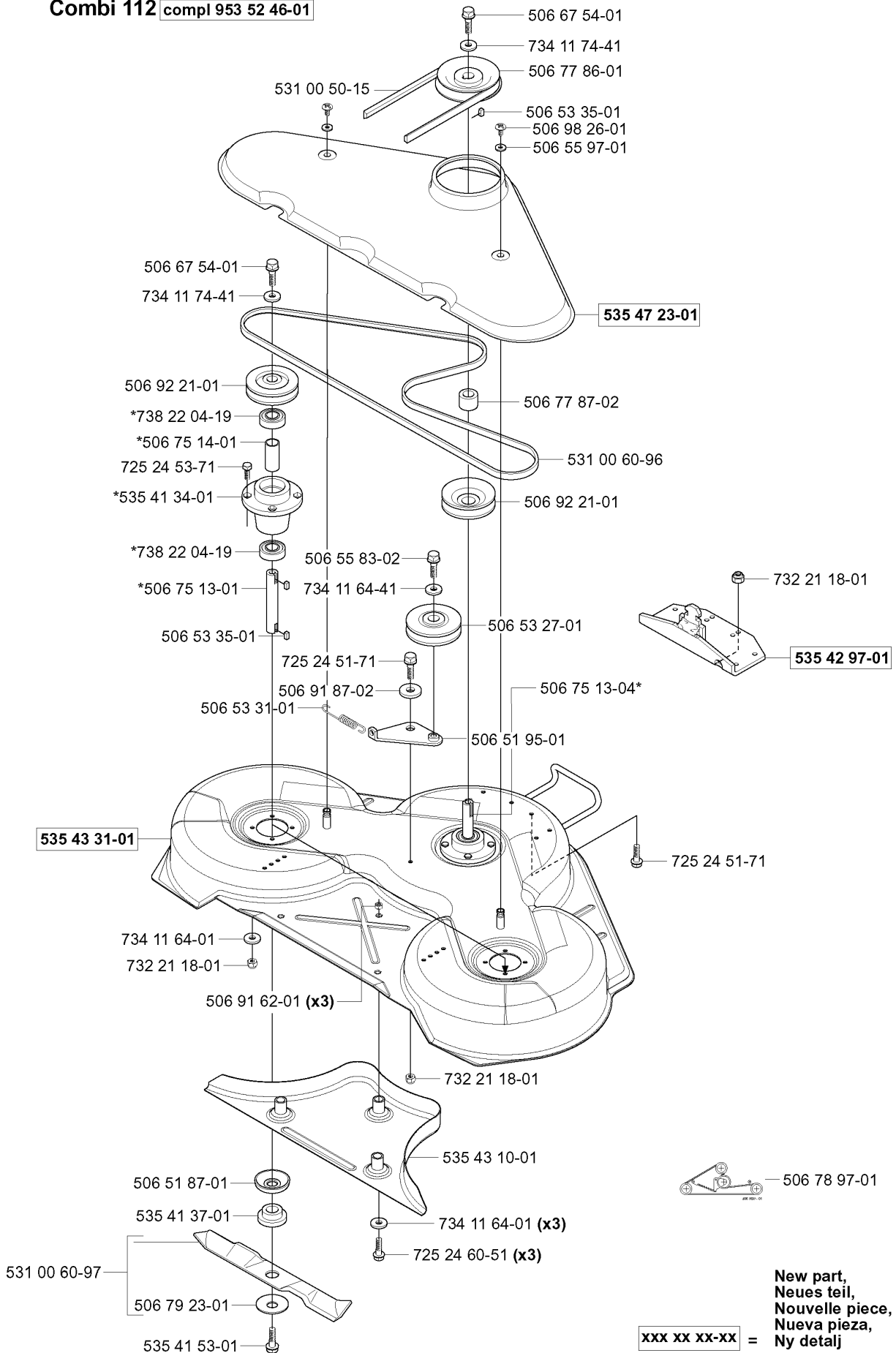
xxx xx xx-xx = New part,
Neues teil,
Nouvelle piece,
Nueva pieza,
Ny detalj

PROTECTION FRAME

PROFLEX 18, 953522901, 2004-06

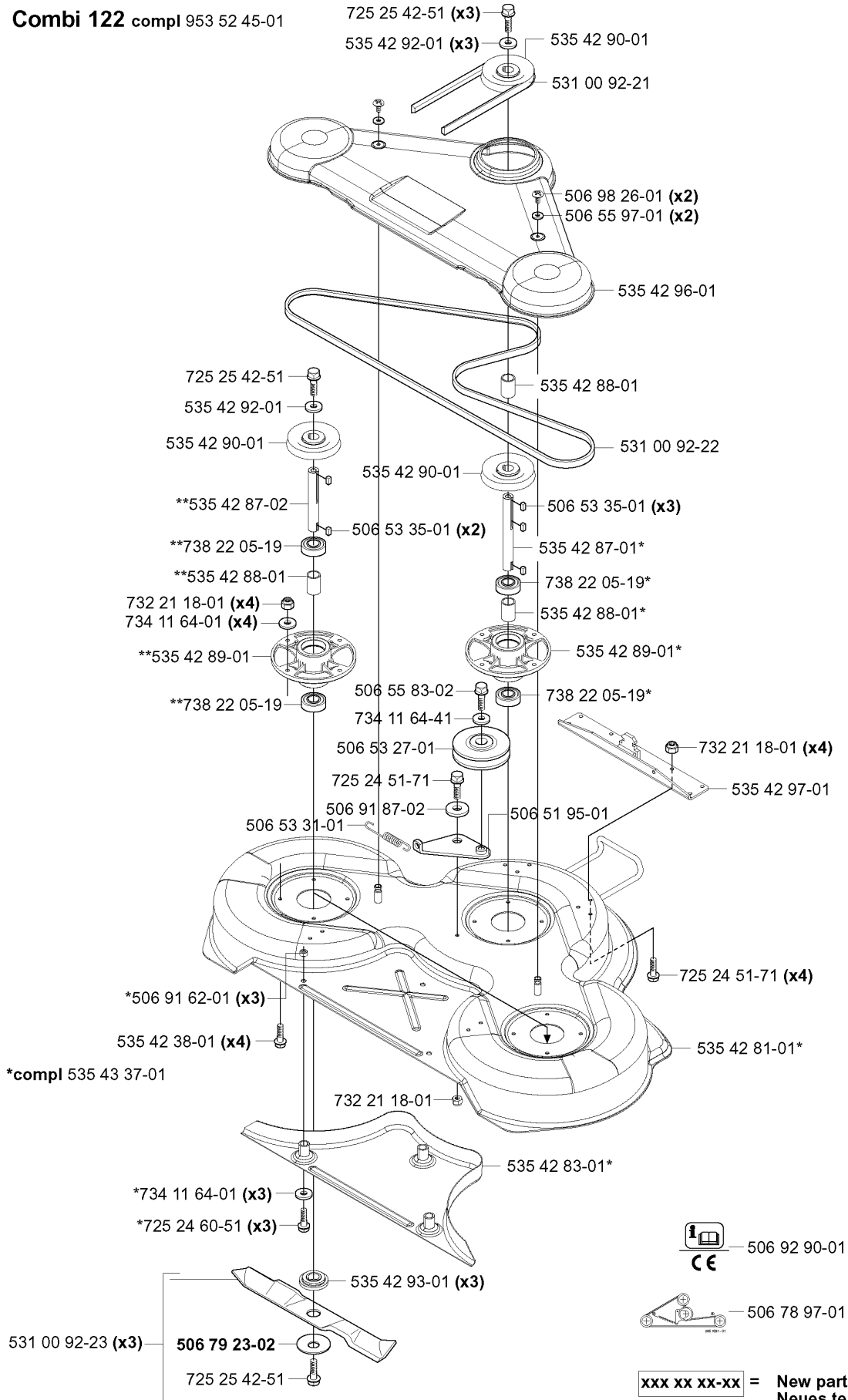
Part No	Description	Remark	QTY KIT
506 53 56-03	DRAW SPRING		1
506 59 74-01	SCREW EHHFM		1
506 59 74-01	SCREW EHHFM		1
506 59 74-01	SCREW EHHFM		1
506 59 74-01	SCREW EHHFM		1
506 59 74-01	SCREW EHHFM		1
506 78 99-01	VINKELLÄNK DIN 71802		1
506 78 99-01	VINKELLÄNK DIN 71802		1
506 81 38-01	REINFORCING PLATE		1
506 81 38-01	REINFORCING PLATE		1
506 81 38-01	REINFORCING PLATE		1
506 81 38-01	REINFORCING PLATE		1
506 81 49-05	ROD		1
506 86 96-01	BEARING		1
506 86 96-01	BEARING		1
506 86 96-01	BEARING		1
506 86 96-01	BEARING		1
506 86 96-01	BEARING		1
506 86 96-01	BEARING		1
506 86 96-01	BEARING		1
506 86 96-01	BEARING		1
506 89 76-01	NUT		1
506 89 76-01	NUT		1
506 94 13-07	CONNECTION ROD		1
506 95 17-01	ROD END		1
506 96 30-01	WHEEL ASSY		1
535 42 99-01	FRÄMRE TVÄRRÖR KPL.		1
535 43 02-01	REAR CROSS TUBES ASS		1
535 43 03-01	PROTECTIVE TUBING		1
535 46 41-01	WASHER		2
535 47 64-01	SIDE RAIL		1
535 47 64-01	SIDE RAIL		1
725 24 61-51	SCREW EHHM		2
725 24 61-51	SCREW EHHM		2
725 24 61-51	SCREW EHHM		2
725 24 61-51	SCREW EHHM		2
725 24 95-71	SCREW EHHM		1
727 63 83-01	SCREW RSQM		2
727 63 83-01	SCREW RSQM		2
732 21 16-01	LOCK NUT		2
732 21 16-01	LOCK NUT		2
732 21 18-01	LOCK NUT		2
732 21 18-01	LOCK NUT		2
732 21 18-01	LOCK NUT		2
732 21 18-01	LOCK NUT		1
732 21 18-01	LOCK NUT		2
732 21 18-01	LOCK NUT		1
732 21 18-01	LOCK NUT		1
732 21 20-51	NUT		1
732 21 20-51	NUT		1
732 21 20-51	NUT		1
734 11 56-01	WASHER		2
734 11 56-01	WASHER		2
735 31 17-00	CIRCLIP		1

U *compl 506 75 11-01 Yttre. Outer. Exterieur. Äusser. Ulko.
 *compl 506 75 11-04 Mitten. Centre. Centre. Zentrum. Keski.
Combi 112 compl 953 52 46-01



Part No	Description	Remark	QTY KIT
506 51 87-01	DUST COVER		1
506 51 95-01	SPÄNNARM KPL.		1
506 53 27-01	PULLEY		1
506 53 31-01	SPRING		1
506 53 35-01	PARALLEL KEY		1
506 53 35-01	PARALLEL KEY		1
506 55 83-02	SCREW EHHFT		1
506 55 97-01	WASHER		1
506 67 54-01	SCREW EHHFM		1
506 67 54-01	SCREW EHHFM		1
506 75 11-01	BLADE HOUSING ASSY	YTTRE.	1
506 75 11-04	BLADE HOUSING ASSY	MITTEN.	1
506 75 13-01	SHAFT		1
506 75 13-04	SHAFT		1
506 75 14-01	SPACER		1
506 77 86-01	PULLEY		1
506 77 87-02	SPACER		1
506 78 97-01	LABEL		1
506 79 23-01	KNIFE PLATE		1
506 91 62-01	NUT		3
506 91 87-02	WASHER		1
506 92 21-01	PULLEY		1
506 92 21-01	PULLEY		1
506 98 26-01	SCREW		1
531 00 50-15	BELT		1
531 00 60-97	BLADE		1
535 41 34-01	BEARING HOUSING		1
535 41 37-01	ADAPTER		1
535 41 53-01	SCREW		1
535 42 97-01	BRACKET		1
535 43 10-01	PLUG ASSY		1
535 43 31-01	CUTTING COVER WITH N		1
535 47 23-01	BELT COVER		1
589 51 46-01	BELT		1
725 24 51-71	SCREW EHHM		1
725 24 51-71	SCREW EHHM		1
725 24 53-71	SCREW EHHM		1
725 24 60-51	SCREW EHHM		3
732 21 18-01	LOCK NUT		1
732 21 18-01	LOCK NUT		1
732 21 18-01	LOCK NUT		1
734 11 64-01	WASHER		3
734 11 64-01	WASHER		1
734 11 64-41	WASHER		1
734 11 74-41	WASHER		1
734 11 74-41	WASHER		1
738 22 04-19	BALL BEARING		1
738 22 04-19	BALL BEARING		1
953 52 46-01	CUTTING DECK		1

V Combi 122 compl 953 52 45-01



*compl 535 42 86-01 Mitten. Centre. Centre. Zentrum. Keski.
 **compl 535 42 86-02 (x2) Yttre. Outer. Exterior. Äusser. Ulko.

**xxx xx xx-xx = New part,
 Neues teil,
 Nouvelle piece,
 Nueva pieza,
 Ny detalj**

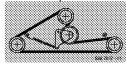
48"/122CM CUTTING DECK

PROFLEX 18, 953522901, 2004-06

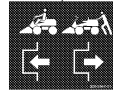
Part No	Description	Remark	QTY KIT
506 51 95-01	SPÄNNARM KPL.		1
506 53 27-01	PULLEY		1
506 53 31-01	SPRING		1
506 53 35-01	PARALLEL KEY		3
506 53 35-01	PARALLEL KEY		2
506 55 83-02	SCREW EHHFT		1
506 55 97-01	WASHER		2
506 78 97-01	LABEL		1
506 79 23-02	KNIFE PLATE		1
506 91 62-01	NUT		3
506 91 87-02	WASHER		1
506 92 90-01	LABEL		1
506 98 26-01	SCREW		2
531 00 92-21	BELT		1
531 00 92-22	BELT		1
531 00 92-23	BLADE		3
535 42 38-01	SCREW RSQM		4
535 42 81-01	DECK SHELL ASSY		1
535 42 83-01	PLUG ASSY		1
535 42 86-01	BLADE HOUSING ASSY	MITTEN.	1
535 42 86-02	BLADE HOUSING ASSY	YTTRE.	2
535 42 87-01	SHAFT		1
535 42 87-02	SHAFT		1
535 42 88-01	SPACER		1
535 42 88-01	SPACER		1
535 42 88-01	SPACER		1
535 42 89-01	BEARING HOUSING		1
535 42 89-01	BEARING HOUSING		1
535 42 90-01	PULLEY		1
535 42 90-01	PULLEY		1
535 42 90-01	PULLEY		1
535 42 92-01	WASHER		3
535 42 92-01	WASHER		1
535 42 93-01	ADAPTER		3
535 42 96-01	BELT COVER		1
535 42 97-01	BRACKET		1
535 43 37-01	CUTTING COVER WITH P		1
725 24 51-71	SCREW EHHM		4
725 24 51-71	SCREW EHHM		1
725 24 60-51	SCREW EHHM		3
725 25 42-51	SCREW EHHM		1
725 25 42-51	SCREW EHHM		3
725 25 42-51	SCREW EHHM		1
732 21 18-01	LOCK NUT		4
732 21 18-01	LOCK NUT		1
732 21 18-01	LOCK NUT		4
734 11 64-01	WASHER		3
734 11 64-01	WASHER		4
734 11 64-41	WASHER		1
738 22 05-19	BALL BEARING		1
738 22 05-19	BALL BEARING		1
738 22 05-19	BALL BEARING		1
738 22 05-19	BALL BEARING		1
953 52 45-01	CUTTING DECK		1

W

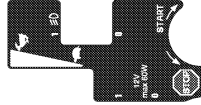
506 78 97-01



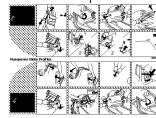
506 94 47-01



535 46 28-01



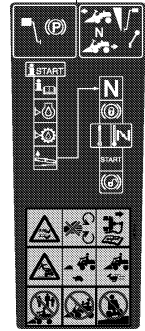
506 97 97-01



535 43 20-02



Warning
506 94 48-01



506 92 90-01



506 58 45-01



506 89 33-01



506 89 34-01



535 41 31-01



506 96 83-01



506 89 35-01



535 45 87-01



535 44 99-01



535 45 79-01



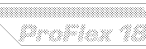
535 45 01-01 (x2)



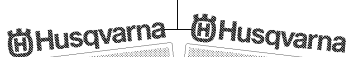
535 45 73-02



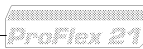
535 45 73-01



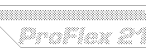
535 45 01-01 (x2)



535 45 74-02



535 45 74-01

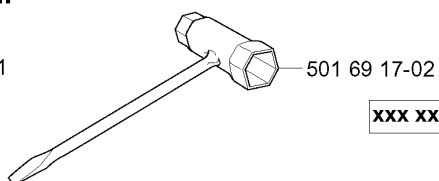
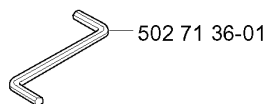


DECALS

PROFLEX 18, 953522901, 2004-06

Part No	Description	Remark	QTY KIT
506 58 45-01	LABEL		1
506 78 97-01	LABEL		1
506 89 33-01	DECAL		1
506 89 34-01	DECAL		1
506 89 35-01	DECAL		1
506 92 90-01	LABEL		1
506 94 47-01	HYDROSTATIC LABEL		1
506 94 48-01	LABEL	WARNING	1
506 96 83-01	DECAL		1
506 97 97-01	LABEL		1
535 41 31-01	LABEL		1
535 43 20-02	DECAL		1
535 44 99-01	DECAL		1
535 45 01-01	DECAL		2
535 45 01-01	DECAL		2
535 45 73-01	STRIPES MOTORKÁPA V.		1
535 45 73-02	STRIPES MOTORKÁPA H.		1
535 45 74-01	STRIPES MOTORKÁPA V.		1
535 45 74-02	STRIPES MOTORKÁPA H.		1
535 45 79-01	DECAL		1
535 45 87-01	LABEL		1
535 46 28-01	CONTROL LABEL		1

X Leverans endast som reservdel
Delivery as spare part only
Nur als Ersatzteil lieferbar
Livrabable seulement comme pièce de rechange
Solo como repuesto
Zasilà se jenom jako náhradní díl



xxx xx xx-xx = New part,
Neues teil,
Nouvelle piece,
Nueva pieza,
Ny detalj

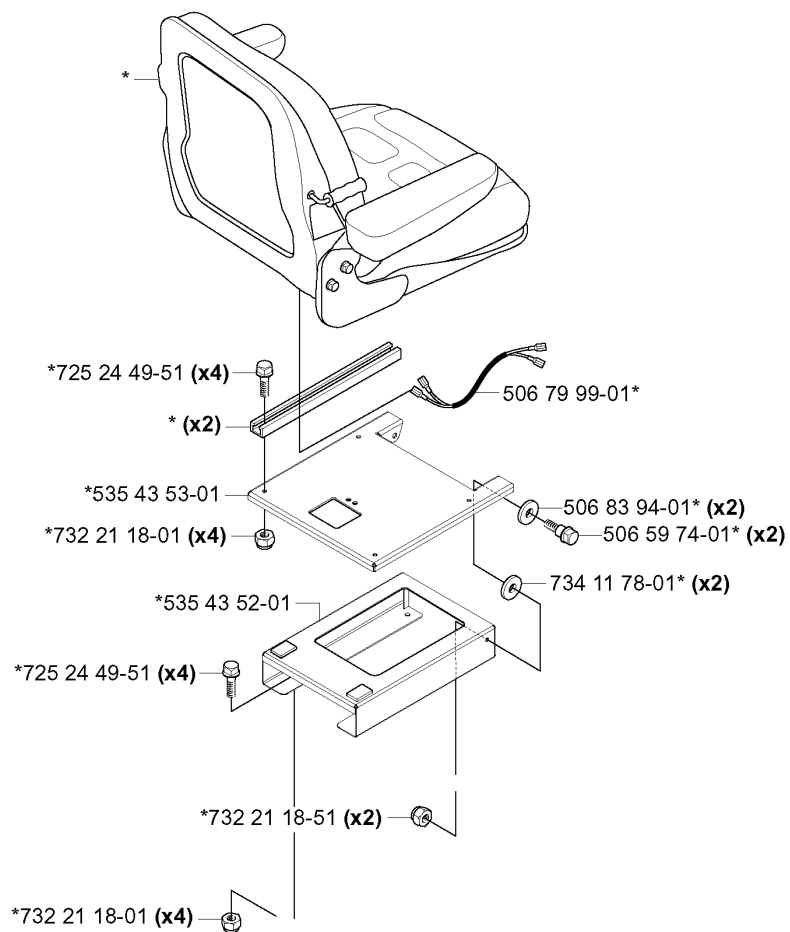
ACCESSORIES

PROFLEX 18, 953522901, 2004-06

Part No	Description	Remark	QTY KIT
501 69 17-02	COMBINATION WRENCH		1
502 71 36-01	SPANNER		1

Y Accessories
 Zubehöre
 Accessoires
 Accesorios
 Tillbehör

*compl 964 99 96-02



xxx xx xx-xx = New part,
 Neues teil,
 Nouvelle piece,
 Nueva pieza,
 Ny detalj

ACCESSORIES

PROFLEX 18, 953522901, 2004-06

Part No	Description	Remark	QTY KIT
506 59 74-01	SCREW EHHFM		2
506 79 99-01	WIRING		1
506 83 94-01	SPRING WASHER		2
535 43 52-01	CONSOLE		1
535 43 53-01	MELLANPLATTA KPL		1
725 24 49-51	SCREW		2
725 24 49-51	SCREW		4
725 24 49-51	SCREW		4
732 21 18-01	LOCK NUT		4
732 21 18-01	LOCK NUT		4
732 21 18-51	LOCKNUT M8		2
734 11 78-01	WASHER		2
964 99 96-02	KOMFORT STOL KPL		1