



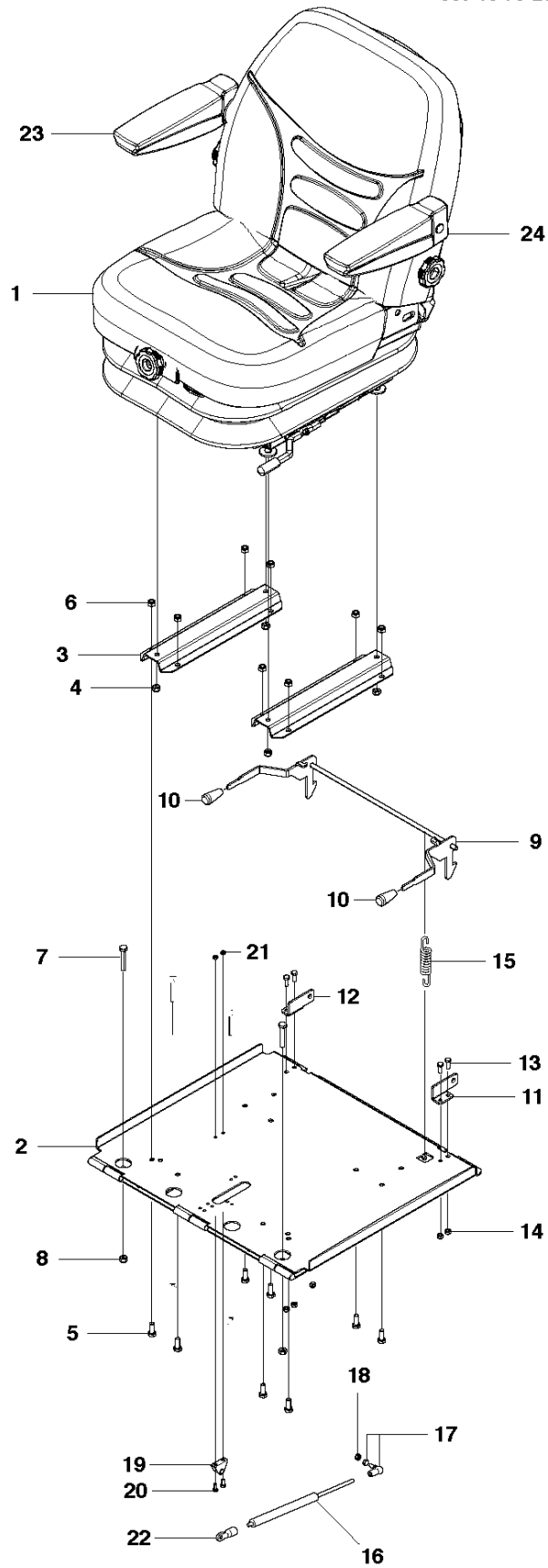
# SPARE PARTS LIST

RIDERS

PT26 D

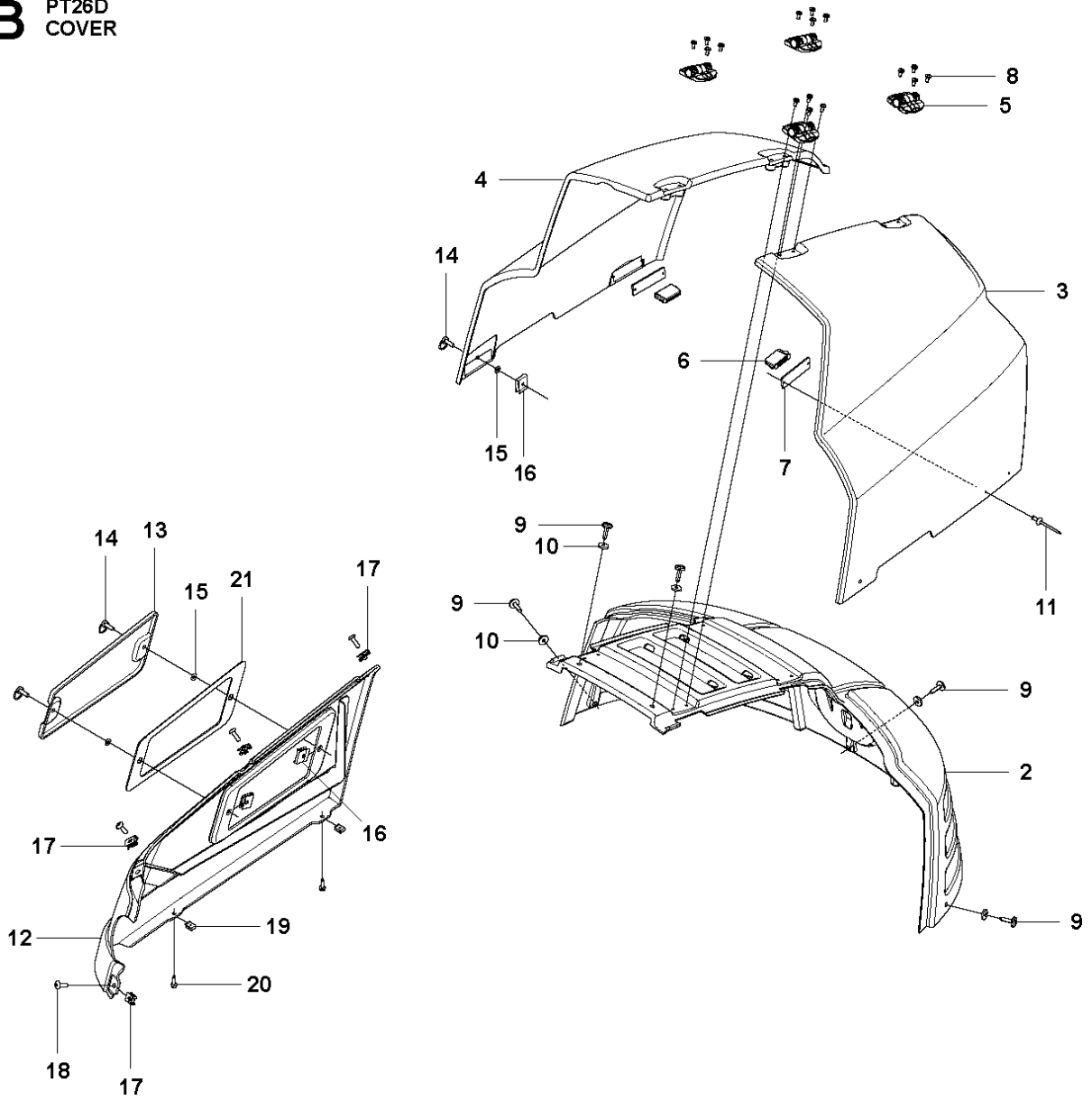
**A** PT26D  
SEAT

Not Shown:  
539 10 75-23 Seat Switch



Ref	Part No	Description	Remark	QTY KIT
1	510 37 40-01	SEAT		1
2	510 10 73-01	SEAT BRACKET		1
3	510 44 24-01	BRACKET		2
4	732 21 18-01	LOCK NUT		4
5	725 24 51-51	SCREW		8
6	732 21 18-01	LOCK NUT		8
7	725 24 60-51	SCREW EHHM		2
8	732 21 18-01	LOCK NUT		2
9	544 35 80-01	LOCK CLAMP		1
10	535 43 82-01	KNOB		2
11	544 35 86-01	BRACKET		1
12	544 35 86-02	BRACKET		1
13	725 23 68-51	SCREW		4
14	732 21 16-01	LOCK NUT		4
15	544 21 81-03	DRAW SPRING		1
16	544 46 82-01	SPRING		1
17	506 55 73-03	BALL JOINT		1
18	732 21 16-01	LOCK NUT		1
19	544 97 19-01	BRACKET		1
20	725 23 27-71	SCREW EHHM		2
21	732 21 14-01	LOCK NUT		2
22	544 93 55-01	BRACKET		1
23	579 55 35-02	SEAT		1
24	579 55 35-01	SEAT		1

**B** PT26D  
COVER



Ref	Part No	Description	Remark	QTY KIT
2	544 17 73-01	ENGINE HOOD		1
3	522 52 02-01	ENGINE HOOD		1
4	522 52 02-02	ENGINE HOOD		1
5	544 25 48-01	HINGE		4
6	544 25 49-01	MAGNET		2
7	544 87 01-01	SHEET		2
8	544 29 13-01	SCREW ITPANM		16
9	506 98 26-02	SCREW		5
10	506 55 97-01	WASHER		5
11	722 78 29-02	BLIND RIVET		4
12	501 04 80-01	COVER		1
13	544 33 27-01	LID		1
14	506 96 35-01	VRIDTAPP		4
15	506 96 36-01	WASHER		4
16	506 96 37-01	LÅSDON		4
17	535 42 91-01	SPRING NUT		4
18	535 42 58-02	SCREW IHPANM		4
19	506 89 20-01	SPEED NUT		2
20	535 41 56-19	SCREW		2
21	501 04 79-01	GASKET		1

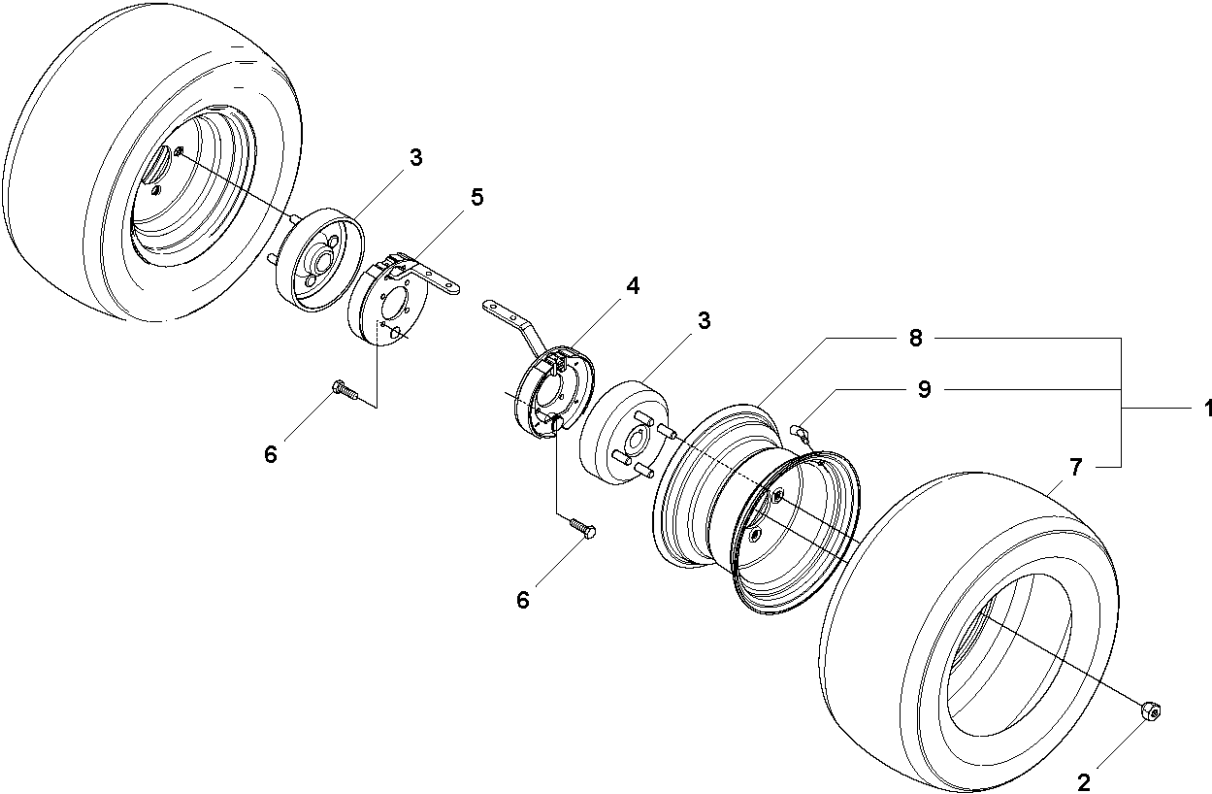
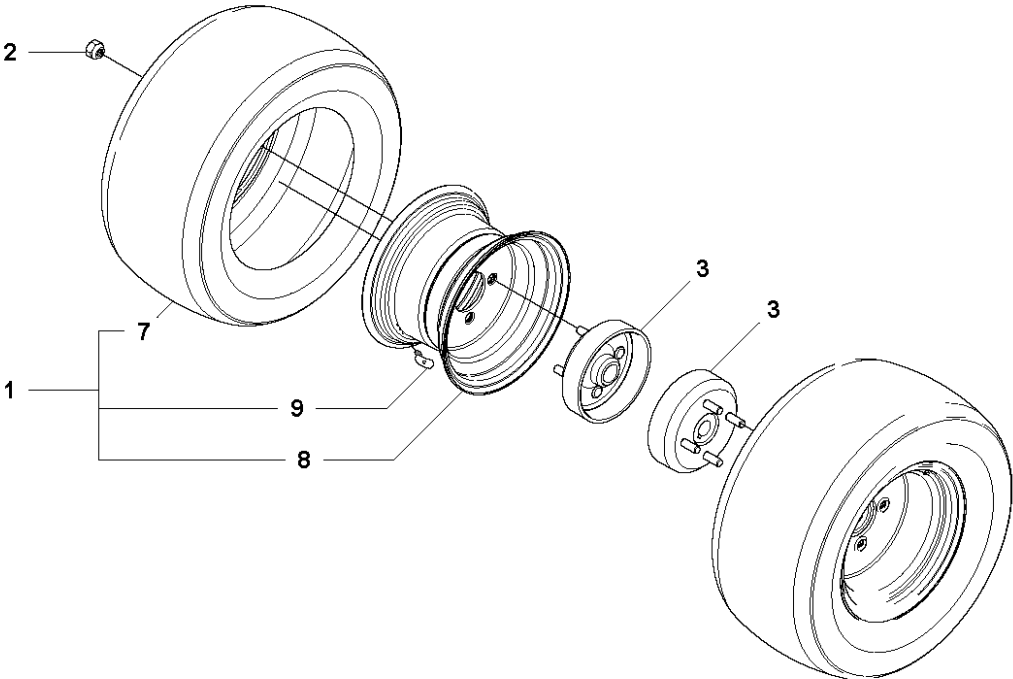


## FUEL SYSTEM

PT26 D

Ref	Part No	Description	Remark	QTY KIT
1	522 44 66-01	FUEL TANK ASSY		1
2	544 25 21-01	ANTIVIBRATION ELEMENT		4
3	732 21 18-01	LOCK NUT		4
4	522 02 81-01	BEAM		1
5	535 42 38-01	SCREW RSQM		1
6	732 21 18-01	LOCK NUT		2
7	505 14 91-01	FUEL TANK		1
8	539 10 52-44	JOINT		1
9	539 10 52-45	GROMMET		1
10	539 10 63-30	TANK CAP		1
11	544 24 33-01	CONNECTION		1
12	740 48 12-02	O-RING		1
13	535 41 56-19	SCREW		2
14	510 41 34-01	TANK COVER		1
15	535 42 58-01	SCREW IHPANM		7
16	544 28 25-04	FUEL HOSE		1
17	544 28 25-05	FUEL HOSE		1
18	544 36 92-01	CONNECTION		1
19	544 28 26-01	HOSE CLAMP		2
20	544 28 26-02	HOSE CLAMP		1
21	505 43 52-01	GROMMET		2

**D** PT26D  
WHEEL



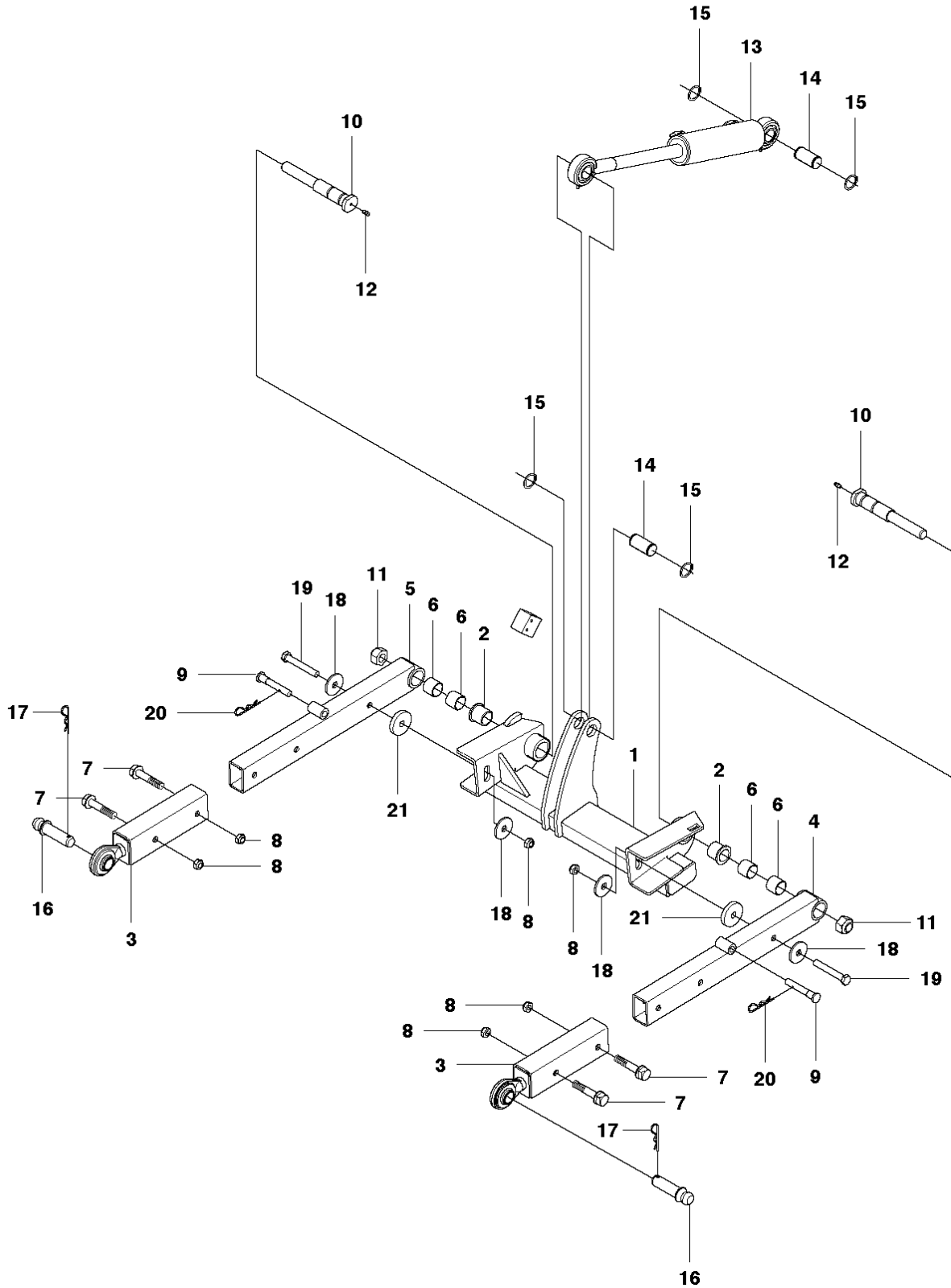


## WHEELS &amp; TIRES

PT26 D

Ref	Part No	Description	Remark	QTY KIT
1	544 21 00-01	WHEEL ASSY		4
2	539 10 11-73	NUT		16
3	510 03 74-01	BRAKE DRUM		4
4	544 93 35-01	BRAKE		1
5	544 93 35-02	BRAKE		1
6	544 33 09-01	SCREW		8
7	544 21 01-01	WHEEL		4
8	544 21 02-01	RIM		4
9	506 57 43-01	VALVE ASSY		4

**E** PT26D  
LIFTING SYSTEM

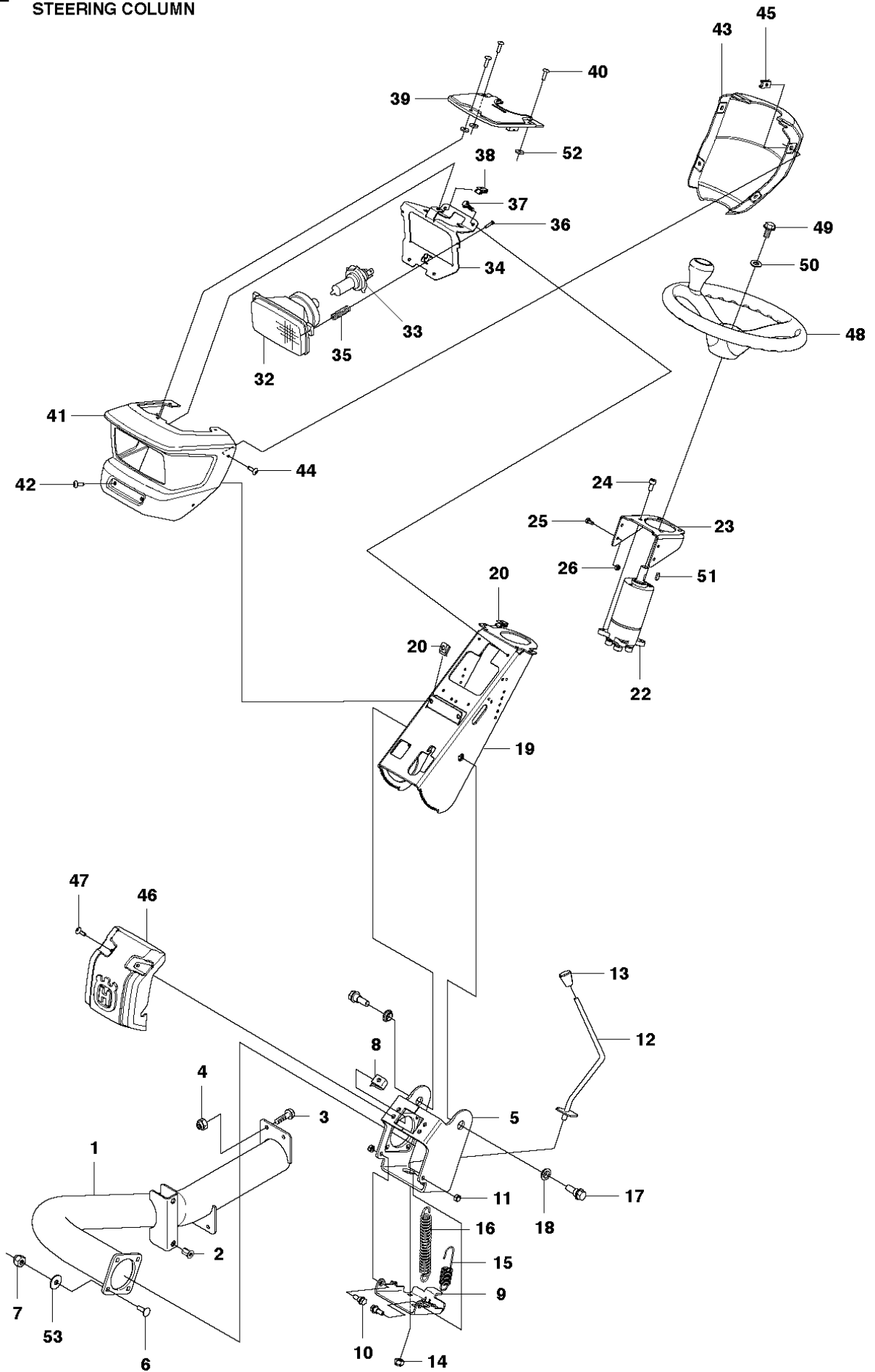


## MOWER LIFT / DECK LIFT

PT26 D

Ref	Part No	Description	Remark	QTY KIT
1	510 11 45-01	BEAM		1
2	544 17 41-02	BEARING BUSH		2
3	544 22 00-01	EQUIPMENT FRAME		2
4	544 21 94-01	LIFTING ARM		1
5	544 21 94-02	LIFTING ARM		1
6	544 21 92-01	BEARING BUSH		4
7	725 25 44-71	SCREW EHHM		4
8	732 25 22-01	HEXAGON LOCKING NUT		6
9	504 88 76-01	COTTER	For 966632401, 966957001	2
9	544 18 44-01	COTTER	For 965080401, 965160601	1
10	544 21 46-02	BOLT		2
11	544 28 13-01	NUT		2
12	738 88 10-01	LUBRICATION NIPPLE		2
13	544 17 61-01	HYDRAULIC CYLINDER		1
14	544 21 98-01	COTTER		2
15	735 31 26-00	CIRCLIP		4
16	544 21 42-01	BOLT		2
17	506 96 66-01	HAIR PIN COTTER		2
18	505 43 25-01	WASHER		2
19	725 25 48-51	SCREW EHHM		2
20	721 68 02-51	SPRING COTTER		2
21	544 25 32-01	WASHER		2

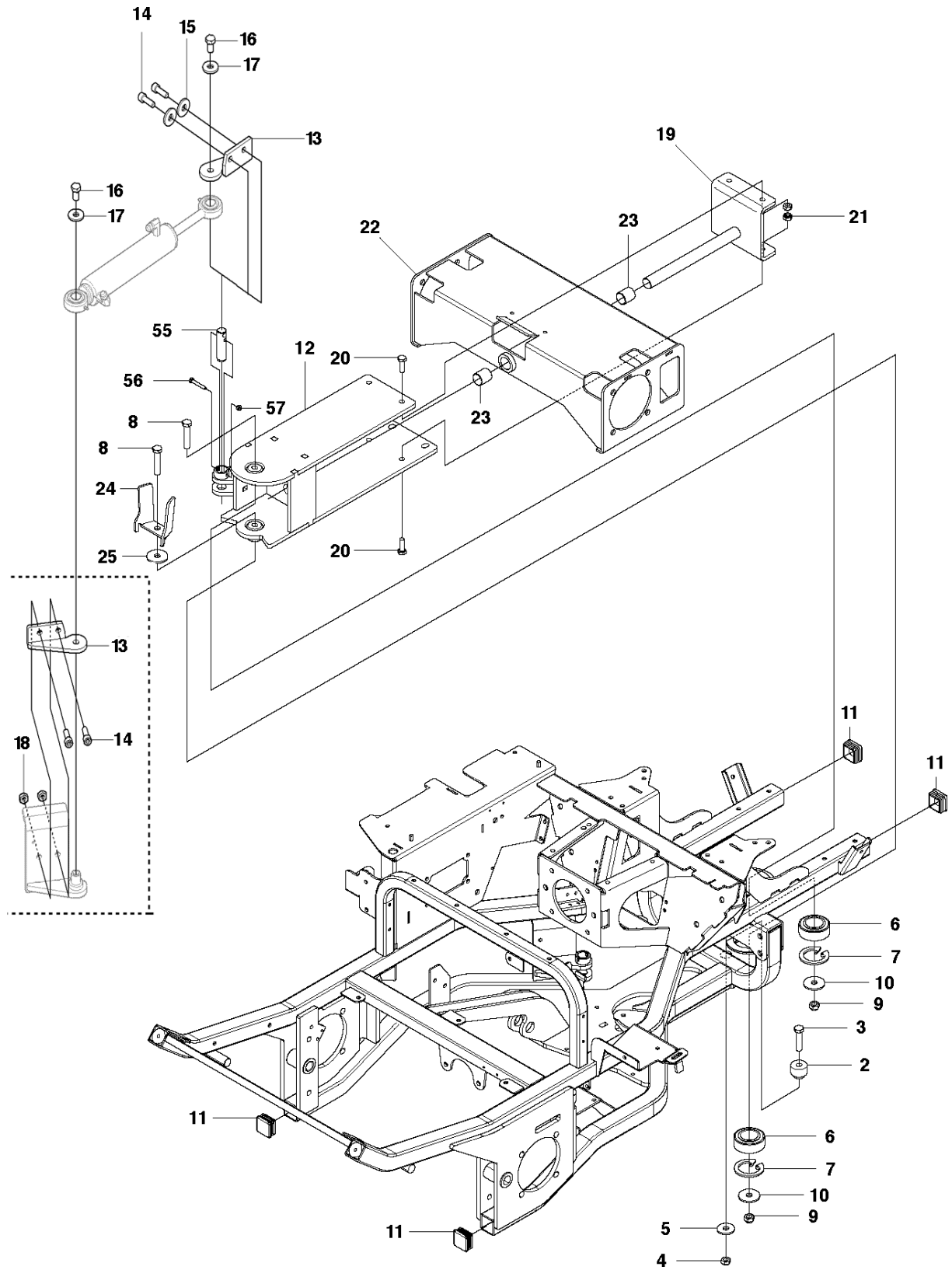
**F** PT26D  
STEERING COLUMN



## STEERING COLUMN

PT26 D

Ref	Part No	Description	Remark	QTY KIT
1	544 29 70-01	STEERING COLUMN TUBE		1
2	506 91 62-01	NUT		2
3	506 57 01-03	SCREW EHHFM		4
4	732 21 18-01	LOCK NUT		4
5	544 30 07-01	FORK		1
6	535 42 38-01	SCREW RSQM		4
7	732 21 18-01	LOCK NUT		4
8	535 42 91-01	SPRING NUT		13
9	544 30 11-01	LOCK CLAMP		1
10	506 59 74-01	SCREW EHHFM		2
11	732 21 18-01	LOCK NUT		2
12	544 30 02-01	LOCKING LEVER		1
13	544 30 00-01	KNOB		1
14	732 21 20-01	LOCK NUT		1
15	504 88 84-01	SPRING		1
16	544 21 81-06	DRAW SPRING		1
17	506 89 58-01	COLLAR SCREW		2
18	544 29 98-01	BUSHING		2
19	510 08 91-01	STEERING COLUMN		1
20	535 42 91-01	SPRING NUT		1
22	506 06 81-01	POWER STEERING		1
23	521 93 59-01	BRACKET		1
24	725 54 49-01	SCREW IHSCM		4
25	725 23 68-71	SCREW EHHM		4
26	732 21 16-01	LOCK NUT		4
32	544 30 13-01	HEADLAMP		1
33	544 34 75-01	LAMP		1
34	544 30 14-01	BRACKET		1
35	544 28 76-03	SPRING		2
36	724 12 95-01	SCREW CRPANM		2
37	725 23 64-61	SCREW EHHFT		4
38	535 42 91-01	SPRING NUT		2
39	544 30 12-01	INDICATOR PANEL		1
40	535 42 58-02	SCREW IHPANM		3
41	544 33 28-01	COVER		1
42	535 42 58-02	SCREW IHPANM		2
43	510 13 13-01	COVER		1
44	535 42 58-02	SCREW IHPANM		4
45	535 42 91-01	SPRING NUT		4
46	505 21 44-01	COVER		1
47	535 42 58-02	SCREW IHPANM		2
48	544 29 14-01	STEERING WHEEL		1
49	506 57 01-06	SCREW EHHFM		1
50	544 22 16-01	WASHER		1
51	735 88 12-00	WOODRUFF KEY		1
52	506 55 97-01	WASHER		3
53	734 11 64-01	WASHER		4

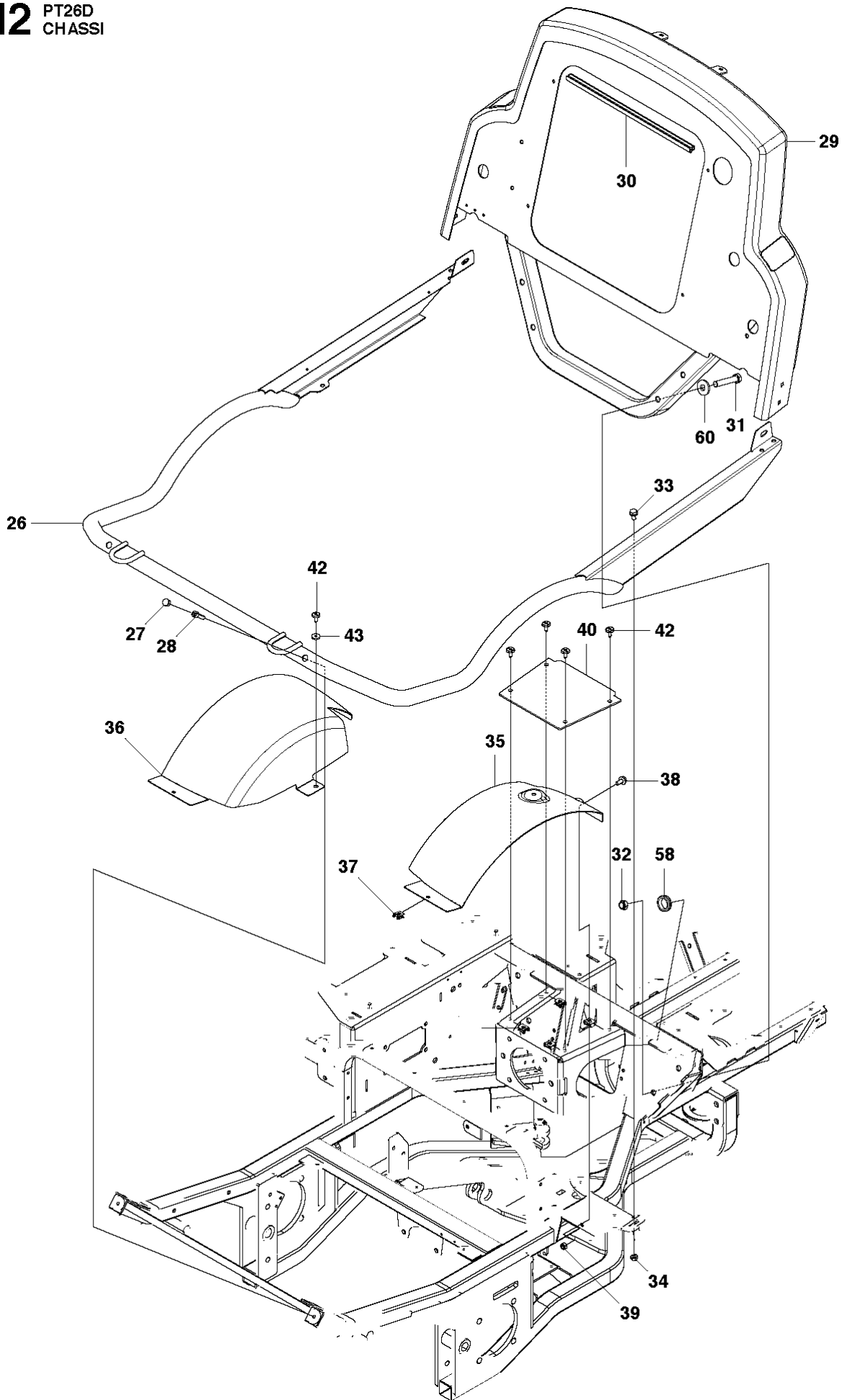


## CHASSIS &amp; ENCLOSURES

PT26 D

Ref	Part No	Description	Remark	QTY KIT
2	544 18 91-01	STOP SLEEVE		1
3	725 25 42-51	SCREW EHHM		1
4	732 25 22-01	HEXAGON LOCKING NUT		1
5	535 42 92-01	WASHER		1
6	738 22 07-19	BALL BEARING		2
7	544 25 29-01	CIRCLIP		2
8	725 25 44-71	SCREW EHHM		2
9	732 25 22-01	HEXAGON LOCKING NUT		2
10	544 25 32-01	WASHER		1
11	544 25 41-01	PLUG		4
12	544 18 79-01	FRAME		1
13	544 88 34-01	BRACKET	For 965160601	1
14	725 54 95-01	SCREW IHSCM	For 965160601	1
15	734 11 72-01	WASHER	For 965160601	1
16	725 25 40-71	SCREW EHHM	For 965160601	1
17	544 25 32-01	WASHER	For 965160601	1
18	732 21 20-01	LOCK NUT	For 965160601	1
19	544 18 92-01	SWING AXLE		1
20	725 24 95-71	SCREW EHHM		4
21	732 21 20-51	NUT		4
22	544 18 87-01	REAR AXLE		1
23	506 98 61-01	GLIDLAGER		2
24	501 98 75-01	GUIDE PLATE		1
25	734 11 77-71	WASHER		1
55	505 39 61-01	SHAFT		2
56	725 23 78-51	SCREW EHHM		2
57	732 21 16-01	LOCK NUT		2

**H2** PT26D  
CHASSI



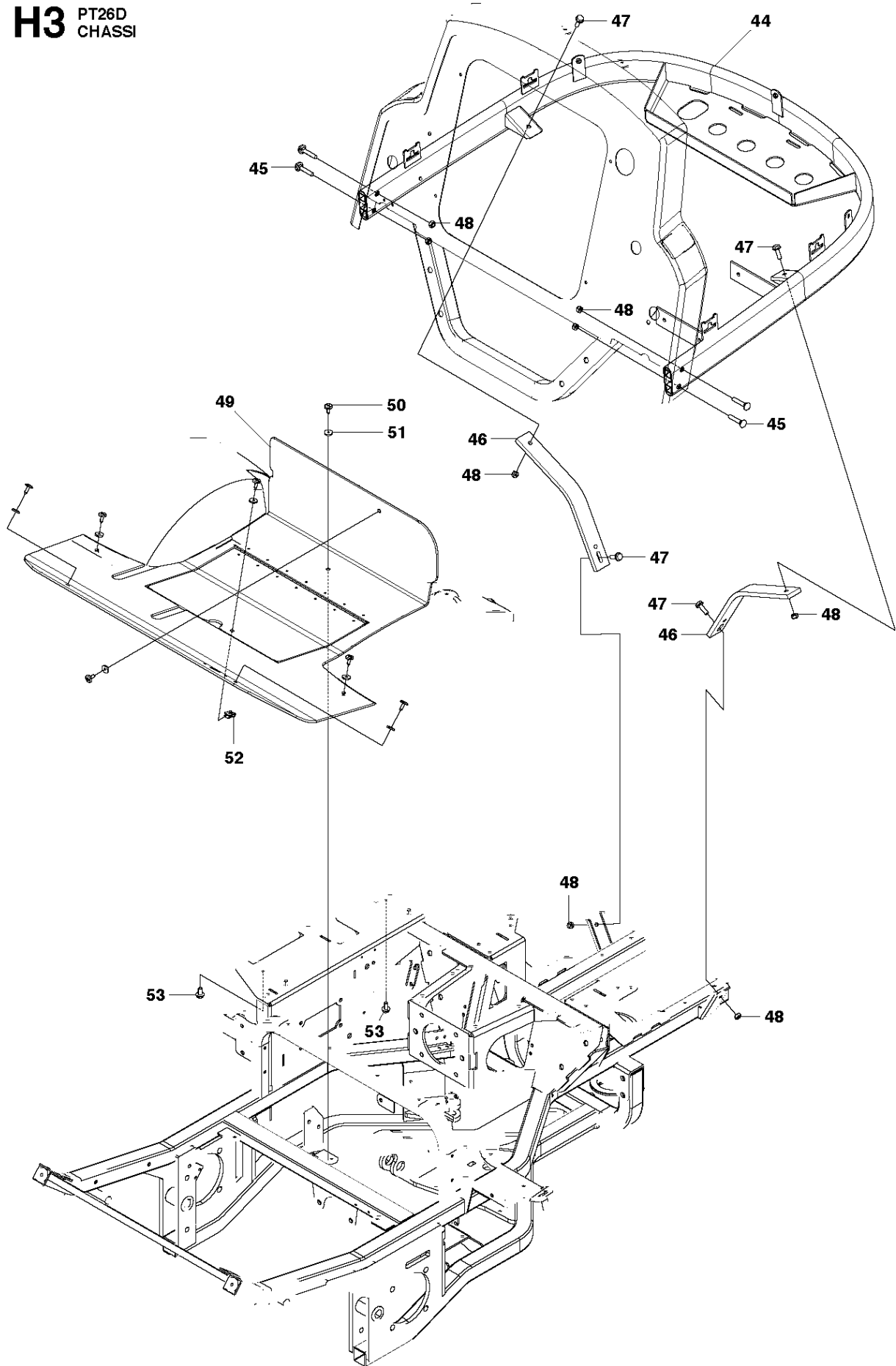


## CHASSIS &amp; ENCLOSURES

PT26 D

Ref	Part No	Description	Remark	QTY KIT
26	510 16 44-01	FRONT TUBE		1
27	544 24 19-01	PLUG		2
28	725 54 55-01	SCREW IHSCM		2
29	506 60 78-01	COWL PANEL		1
30	544 32 92-01	SEALING STRIP		1
31	725 25 45-51	SCREW EHHM		4
32	732 25 22-01	HEXAGON LOCKING NUT		4
33	506 57 01-03	SCREW EHHFM		2
34	732 21 18-01	LOCK NUT		1
35	510 09 33-01	FENDER		1
36	510 09 34-01	FENDER		1
37	535 42 91-01	SPRING NUT		2
38	506 57 01-03	SCREW EHHFM		2
39	732 21 18-01	LOCK NUT		1
40	510 06 57-01	PROTECTIVE PLATE		1
42	506 98 26-01	SCREW		6
43	506 55 97-01	WASHER		2
58	505 43 52-01	GROMMET		1
60	734 11 80-41	WASHER		4

**H3** PT26D  
CHASSI

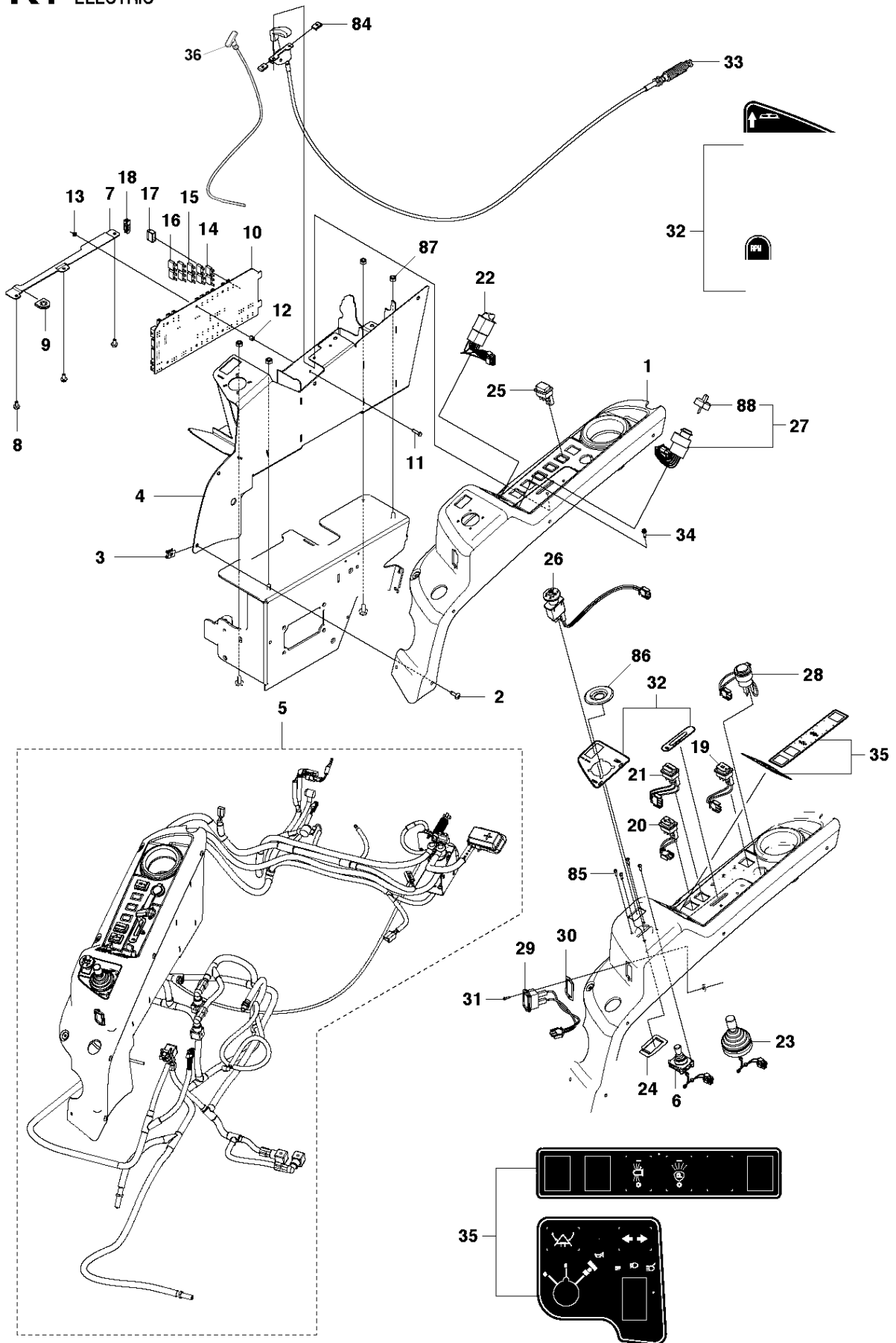


CHASSIS & ENCLOSURES

PT26 D

Ref	Part No	Description	Remark	QTY KIT
44	510 17 40-01	ENGINE FRAME		1
45	727 64 59-51	SCREW		4
46	544 23 42-01	SUPPORT		2
47	506 57 01-05	SCREW EHHFM		4
48	732 21 18-01	LOCK NUT		8
49	510 09 96-01	FOOT PLATE		1
50	506 98 26-01	SCREW		7
51	506 55 97-01	WASHER		7
52	535 42 91-01	SPRING NUT		1
53	506 57 01-03	SCREW EHHFM		4

**K1** PT26D  
ELECTRIC

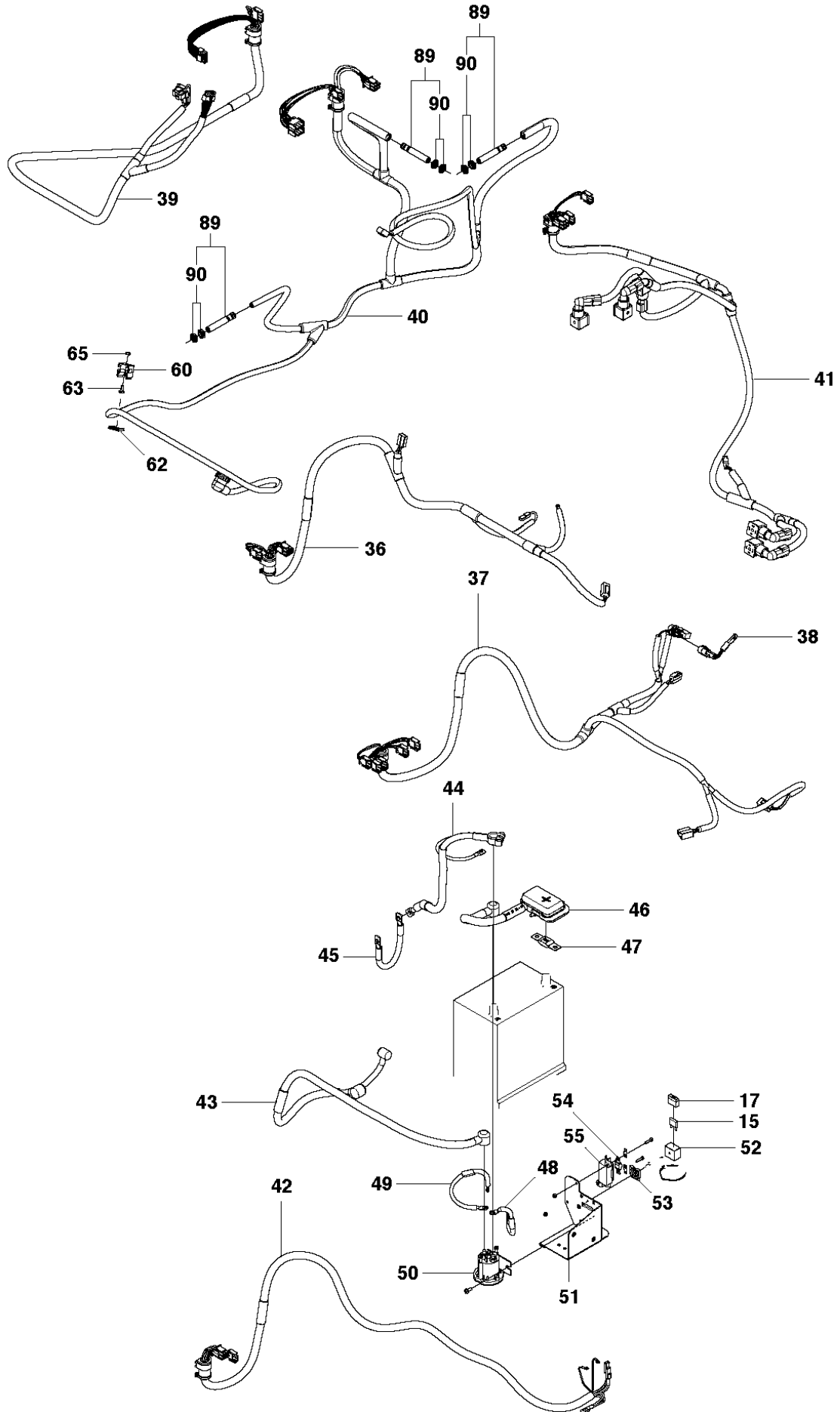


## ELECTRICAL

PT26 D

Ref	Part No	Description	Remark	QTY KIT
1	540 05 92-01	CONTROL COVER		1
2	535 42 58-02	SCREW IHANM		5
3	535 42 91-01	SPRING NUT		5
4	510 16 94-01	BRACKET		1
5	510 16 93-01	CONTROL PANEL		1
6	510 44 16-01	JOYSTICK		1
7	522 02 48-01	SHEET		1
8	535 47 52-12	SCREW EHHFM		3
9	544 38 15-01	BUSHING		4
10	544 98 33-01	CONTROL BOARD		1
11	725 23 31-51	SCREW		6
12	544 33 78-01	NUT		6
13	732 21 14-01	LOCK NUT		6
14	544 32 43-01	FUSE		1
15	544 32 43-02	FUSE		8
16	544 32 43-04	FUSE		2
17	502 08 45-01	COVER		10
18	504 00 81-01	CLIP		1
19	544 31 21-01	SWITCH		1
20	544 31 24-01	SWITCH		1
21	544 31 25-01	SWITCH		1
22	544 31 34-01	SWITCH		1
23	544 31 55-01	JOYSTICK		1
24	544 40 43-01	LOCKWASHER		1
25	504 06 13-01	SWITCH		5
26	544 31 37-01	SWITCH		1
27	544 31 52-01	KEY SWITCH		1
28	544 31 50-01	SOCKET		1
29	544 31 51-01	HOUR METER		1
30	540 05 57-01	WASHER		1
31	722 78 29-02	BLIND RIVET		2
32	522 45 74-01	LABEL	For 966632401, 966957001	1
32	544 34 70-01	LABEL	For 965080401, 965160601	1
33	544 25 54-01	THROTTLE HANDLE ASSY		1
34	535 41 56-19	SCREW		2
35	522 45 75-01	LABEL		1
36	504 04 65-01	WIRING	For 965080401, 965160601	1
84	733 78 40-23	QUICK-ACTING LOCK NUT		2
85	503 21 28-10	SCREW CCRPANT		4
86	510 17 42-01	WASHER		1
87	732 21 18-01	LOCK NUT		4
88	535 47 60-01	IGNITION KEY		1

**K2** PT26D  
ELECTRIC

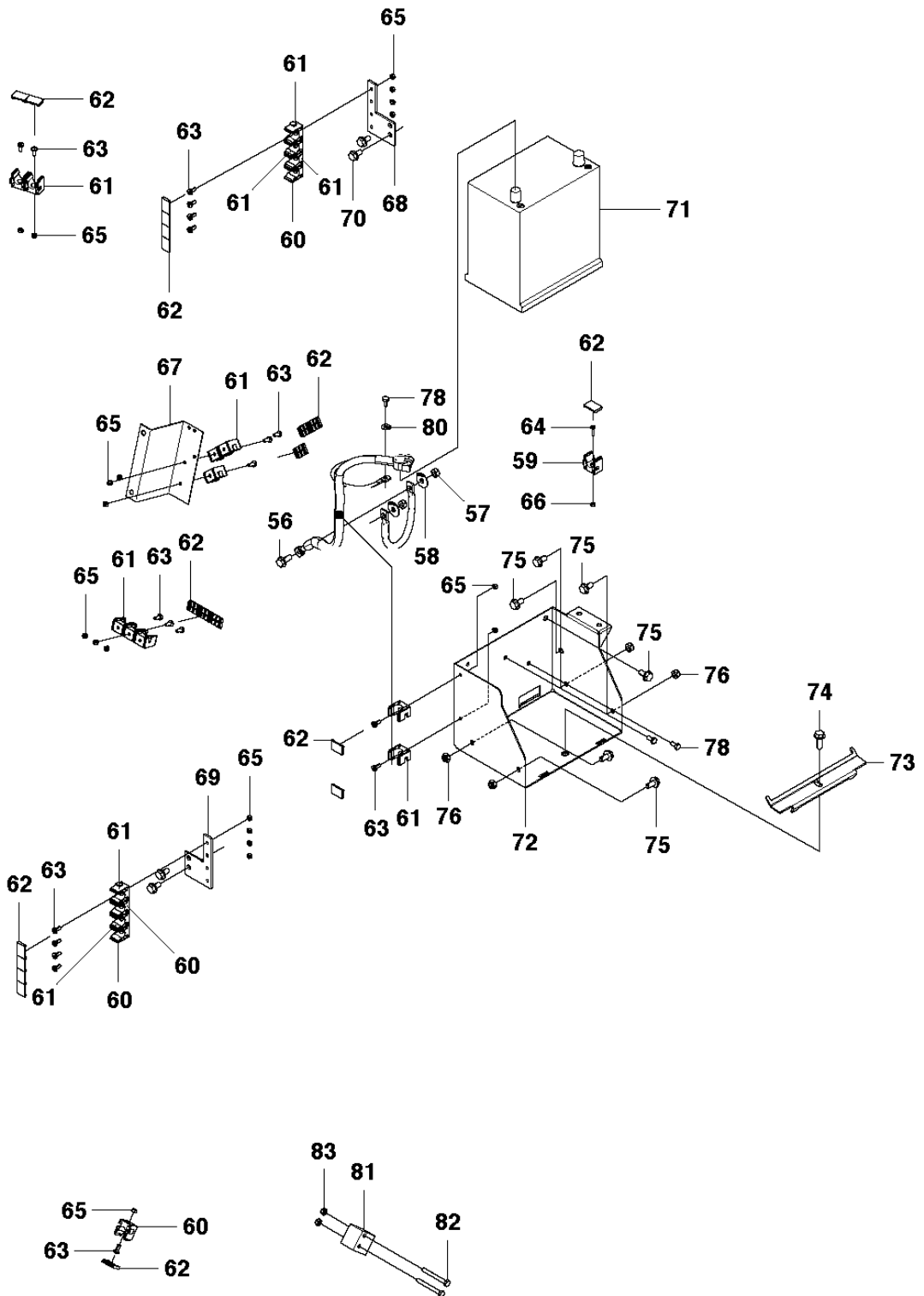


## ELECTRICAL

PT26 D

Ref	Part No	Description	Remark	QTY KIT
36	510 44 17-01	WIRING		1
37	521 91 00-01	WIRING		1
38	544 36 80-01	SENSOR		1
39	544 32 24-01	WIRING		1
40	522 43 73-01	WIRING		1
41	521 91 01-01	WIRING		1
42	544 36 98-01	WIRING		1
43	544 37 28-01	WIRING		1
44	544 32 35-01	WIRING		1
45	544 32 37-01	GROUND CABLE		1
46	544 32 32-01	WIRING		1
47	544 36 96-01	FUSE		1
48	544 36 97-01	WIRING		1
49	501 98 11-01	WIRING		1
50	521 92 68-01	RELAY		1
51	544 33 97-01	BRACKET		1
52	504 00 63-01	FUSE HOLDER		1
53	501 00 75-01	CLIP		1
54	501 96 55-01	FUSE		1
55	501 01 40-01	FUSE		1
15	544 32 43-02	FUSE		8
17	502 08 45-01	COVER		10
60	544 32 14-02	RETAINER		4
62	544 32 15-01	RETAINER		16
63	544 29 13-02	SCREW ITXPANM		16
65	732 21 14-01	LOCK NUT		16
89	522 61 25-01	SENSOR		3
90	522 61 76-01	NUT		6

# K3 PT26D ELECTRIC



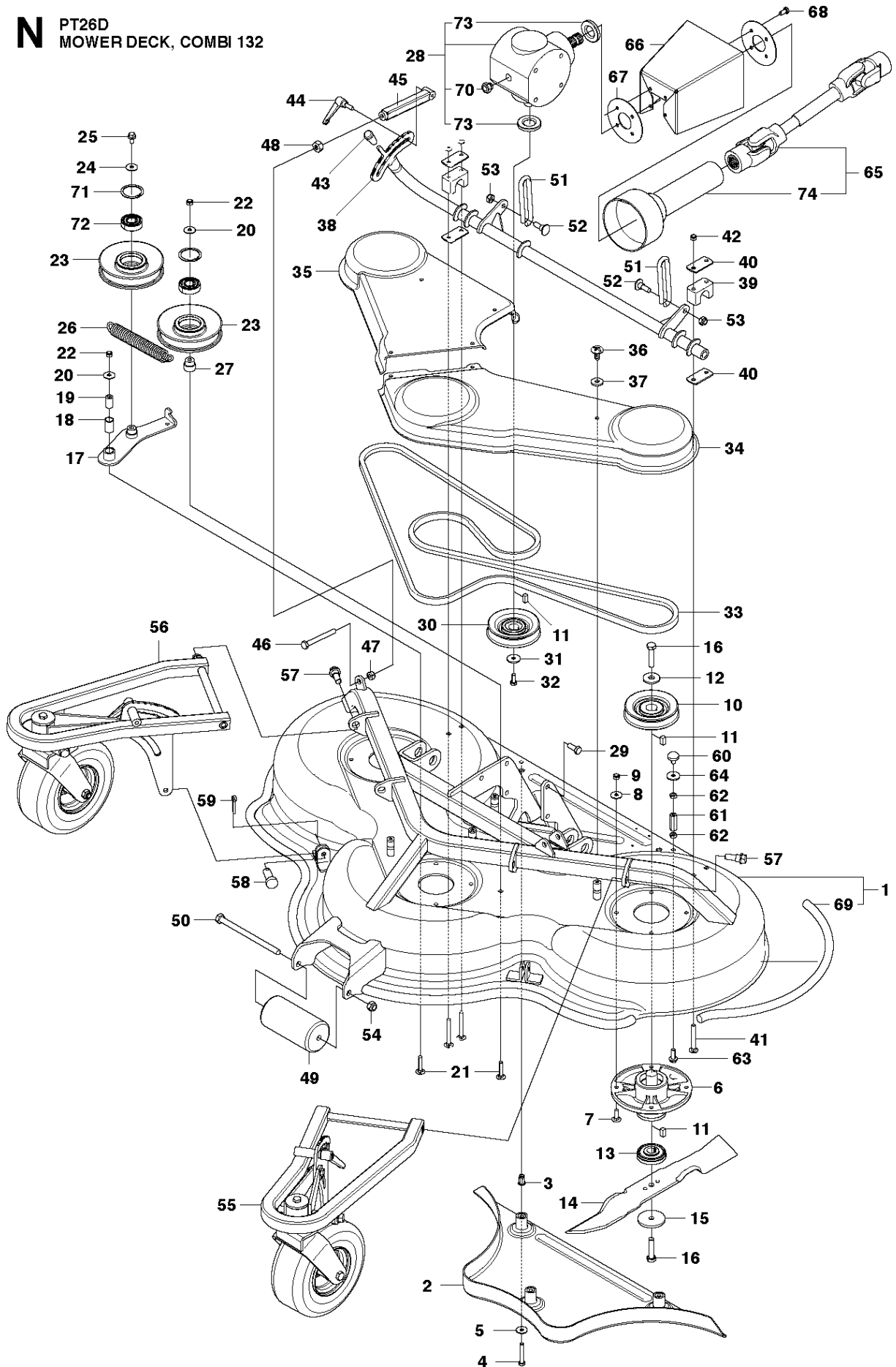


## ELECTRICAL

PT26 D

Ref	Part No	Description	Remark	QTY KIT
56	506 57 01-04	SCREW EHHFM		1
57	732 21 18-01	LOCK NUT		2
58	734 11 64-01	WASHER		2
59	544 32 14-01	RETAINER		1
60	544 32 14-02	RETAINER		4
61	544 32 14-03	RETAINER		12
62	544 32 15-01	RETAINER		16
63	544 29 13-02	SCREW ITXPANM		16
64	544 29 13-03	SCREW ITXPANM		1
65	732 21 14-01	LOCK NUT		16
66	732 21 12-01	LOCK NUT		1
67	544 37 31-01	BRACKET		1
68	544 33 51-02	BRACKET		1
69	544 33 51-01	BRACKET		1
70	506 57 01-03	SCREW EHHFM		4
71	544 28 85-01	BATTERY		1
72	544 33 37-01	BATTERY BOX		1
73	544 33 38-01	BRACKET		1
74	506 57 01-05	SCREW EHHFM		1
75	506 57 01-03	SCREW EHHFM		6
76	732 21 18-01	LOCK NUT		4
78	725 23 66-71	SCREW EHHM		4
80	734 11 56-01	WASHER		1
81	544 26 94-01	BRACKET		1
82	725 23 81-51	SCREW EHHM		2
83	732 21 16-01	LOCK NUT		2

**N** PT26D  
MOWER DECK, COMBI 132



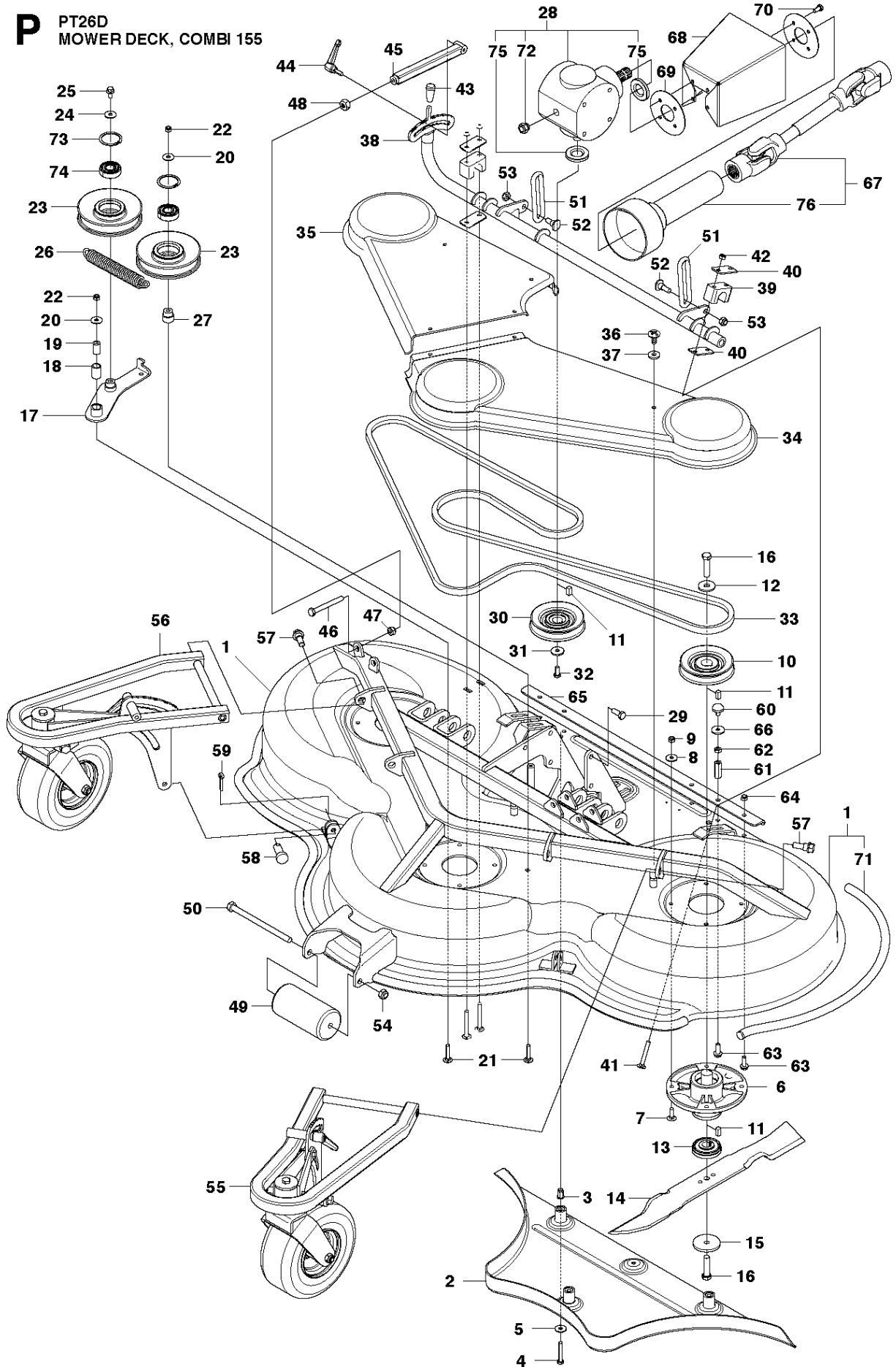
## 52"/132CM CUTTING DECK

PT26 D

Ref	Part No	Description	Remark	QTY KIT
1	544 16 25-02	CUTTING DECK		1
2	544 16 62-02	PLUG ASSY		1
3	506 91 62-03	NUT		3
4	725 24 61-51	SCREW EHHM		3
5	734 11 64-01	WASHER		3
6	535 42 86-02	BLADE HOUSING ASSY		3
7	535 42 38-01	SCREW RSQM		12
8	734 11 64-01	WASHER		12
9	732 21 18-01	LOCK NUT		12
10	544 25 56-01	PULLEY	For 966632401, 965160601 - 2008-03	3
10	544 18 37-01	PULLEY	For 966957001, 965080401, 965160601 - 2008-02	1
11	506 53 35-01	PARALLEL KEY		7
12	535 42 92-01	WASHER		3
13	535 50 42-01	ADAPTER		3
14	586 19 88-10	BLADE		3
15	506 79 23-02	KNIFE PLATE		3
16	725 25 42-51	SCREW EHHM		6
17	544 17 55-01	BELT TENSIONER		1
18	506 98 61-03	BUSHING		1
19	506 99 20-01	PIPE		1
20	734 11 64-41	WASHER		2
21	727 64 59-51	SCREW		2
22	732 21 18-01	LOCK NUT		2
23	523 11 62-01	BELT TENSIONER WHEEL		2
24	734 11 64-41	WASHER		1
25	725 24 49-61	SCREW EHHFT		1
26	544 21 81-05	DRAW SPRING		1
27	535 48 48-01	BUSHING		1
28	544 18 34-01	BEVEL GEAR		1
29	725 24 93-71	SCREW EHHM		5
30	504 87 74-01	PULLEY	For 966632401, 965160601 - 2008-03	1
30	544 18 43-01	PULLEY	For 966957001, 965080401, 965160601 - 2008-02	1
31	544 22 16-01	WASHER		1
32	725 24 51-71	SCREW EHHM	For 966632401	1
32	725 24 51-51	SCREW	For 966957001, 965080401, 965160601	1
33	589 53 52-01	BELT	For 966632401, 966957001	1
33	544 18 35-01	BELT	For 965080401, 965160601	1
34	544 18 45-01	BELT COVER		1
35	544 18 46-01	BELT COVER		1
36	506 98 26-01	SCREW		5
37	506 55 97-01	WASHER		5
38	544 17 52-01	CROSS BAR		1
39	504 19 03-01	BEARING COVER		2
40	506 81 38-01	REINFORCING PLATE		4
41	535 42 38-02	SCREW RSQM		4
42	732 21 18-01	LOCK NUT		4
43	535 43 82-01	KNOB		1
44	544 19 68-01	TURNING KNOB		1
45	544 20 10-01	PARALLEL ROD		1
46	725 25 09-71	SCREW EHHM		1
47	732 21 20-01	LOCK NUT		1
48	731 23 20-51	HEXAGON NUT		1
49	544 18 54-01	ROLLER		1
50	544 22 10-01	SCREW EHHM		1
51	544 18 50-01	LINK		2
52	544 21 43-01	SCREW		2
53	732 21 20-51	NUT		2

Ref	Part No	Description	Remark	QTY KIT
54	732 25 22-01	HEXAGON LOCKING NUT		1
55	544 17 32-01	WHEEL SUSPENSION		1
56	544 17 32-02	WHEEL SUSPENSION		1
57	506 89 58-01	COLLAR SCREW		4
58	721 84 56-01	CLEVIS PIN		2
59	721 61 83-01	SPLIT PIN		2
60	501 97 66-01	ANTIVIBRATION ELEMENT		2
61	544 31 76-01	SPACING SLEEVE		2
62	731 23 18-01	HEXAGON NUT		4
63	506 57 01-04	SCREW EHHFM		2
64	734 11 64-41	WASHER		2
65	525 57 12-01	SHAFT ASSY		1
66	522 75 00-01	PROTECTION		1
67	522 75 01-01	ATTACHMENT PLATE		2
68	506 57 01-04	SCREW EHHFM		4
69	522 52 35-01	REINFORCEMENT		2
70	525 24 97-01	WINDOW		1
71	735 31 40-10	CIRCLIP		2
72	738 22 04-19	BALL BEARING		2
73	525 24 98-01	GASKET		1
74	522 75 02-01	SAFETY GUARD		1

**P** PT26D  
MOWER DECK, COMBI 155



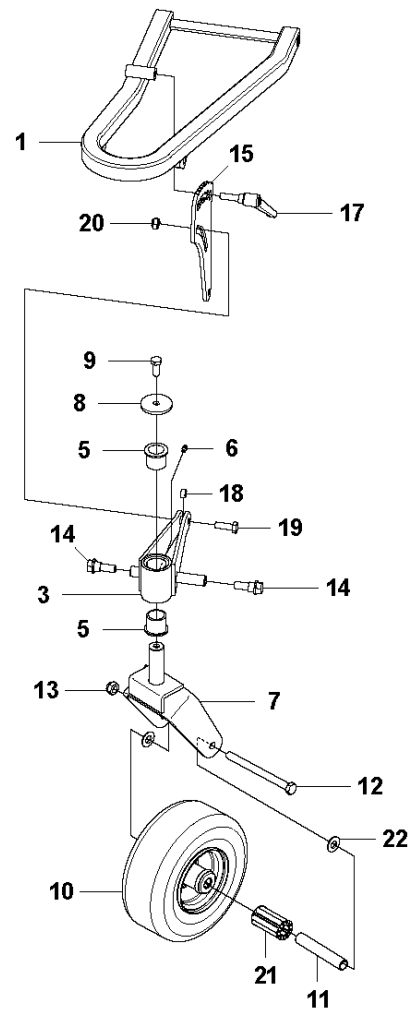
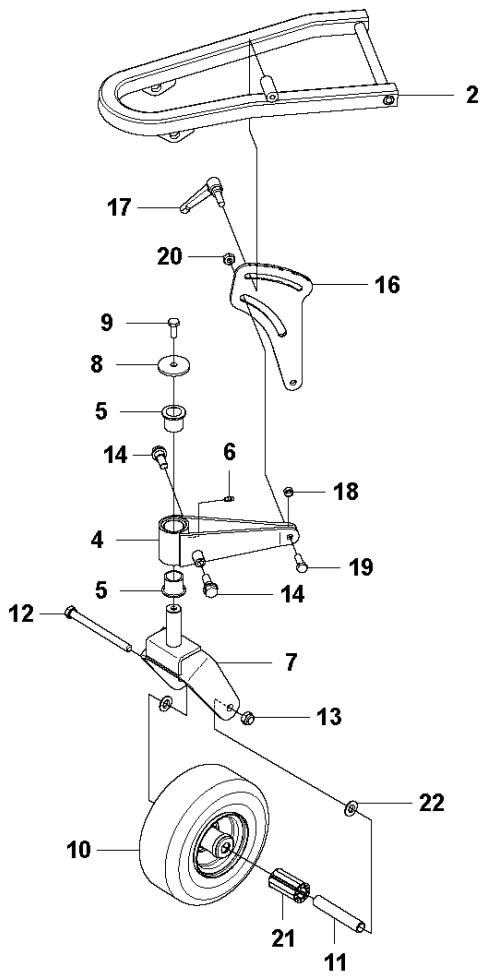
Ref	Part No	Description	Remark	QTY KIT
1	544 16 29-02	CUTTING DECK		1
2	544 16 64-02	PLUG ASSY		1
3	506 91 62-03	NUT		3
4	725 24 61-51	SCREW EHHM		3
5	734 11 64-01	WASHER		3
6	535 42 86-02	BLADE HOUSING ASSY		3
7	535 42 38-01	SCREW RSQM		12
8	734 11 64-01	WASHER		12
9	732 21 18-01	LOCK NUT		12
10	544 25 56-01	PULLEY		3
11	506 53 35-01	PARALLEL KEY		7
12	535 42 92-01	WASHER		3
13	535 50 42-01	ADAPTER		3
14	586 19 89-10	BLADE		3
15	506 79 23-02	KNIFE PLATE		3
16	725 25 42-51	SCREW EHHM		6
17	544 17 55-01	BELT TENSIONER		1
18	506 98 61-03	BUSHING		1
19	506 99 20-01	PIPE		1
20	734 11 64-41	WASHER		2
21	727 64 59-51	SCREW		2
22	732 21 18-01	LOCK NUT		2
23	523 11 62-01	BELT TENSIONER WHEEL		2
24	734 11 64-41	WASHER		1
25	725 24 49-61	SCREW EHHFT		1
26	544 21 81-05	DRAW SPRING		1
27	535 48 48-01	BUSHING		1
28	544 18 34-01	BEVEL GEAR		1
29	725 24 93-71	SCREW EHHM		5
30	544 18 40-01	PULLEY		1
31	544 22 16-01	WASHER		1
32	725 24 51-71	SCREW EHHM	For For 966632401	1
32	725 24 51-51	SCREW	For 966957001, 965080401, 965160601	1
33	589 53 50-01	BELT		1
34	544 18 47-01	BELT COVER		1
35	544 18 48-01	BELT COVER		1
36	506 98 26-01	SCREW		5
37	506 55 97-01	WASHER		5
38	544 17 52-01	CROSS BAR		1
39	504 19 03-01	BEARING COVER		3
40	506 81 38-01	REINFORCING PLATE		5
41	535 42 38-02	SCREW RSQM		6
42	732 21 18-01	LOCK NUT		6
43	535 43 82-01	KNOB		1
44	544 19 68-01	TURNING KNOB		1
45	544 20 11-01	PARALLEL ROD		1
46	725 25 09-71	SCREW EHHM		1
47	732 21 20-01	LOCK NUT		1
48	731 23 20-51	HEXAGON NUT		1
49	544 18 54-01	ROLLER		1
50	544 22 10-01	SCREW EHHM		1
51	544 18 50-01	LINK		2
52	544 21 43-01	SCREW		2
53	732 21 20-51	NUT		2
54	732 25 22-01	HEXAGON LOCKING NUT		1
55	544 17 32-01	WHEEL SUSPENSION		1
56	544 17 32-02	WHEEL SUSPENSION		1
57	506 89 58-01	COLLAR SCREW		4
58	721 84 56-01	CLEVIS PIN		2
59	721 61 83-01	SPLIT PIN		2
60	501 97 66-01	ANTIVIBRATION ELEMENT		2
61	544 31 76-01	SPACING SLEEVE		2
62	731 23 18-01	HEXAGON NUT		2
63	506 57 01-04	SCREW EHHFM		5

Ref	Part No	Description	Remark	QTY KIT
64	732 21 18-01	LOCK NUT		3
65	501 97 67-01	REINFORCING PLATE		1
66	734 11 64-41	WASHER		2
67	525 57 12-01	SHAFT ASSY		1
68	522 75 00-01	PROTECTION		1
69	522 75 01-01	ATTACHMENT PLATE		2
70	506 57 01-04	SCREW EHHFM		4
71	522 52 36-01	REINFORCEMENT		2
72	525 24 97-01	WINDOW		1
73	735 31 40-10	CIRCLIP		2
74	738 22 04-19	BALL BEARING		2
75	525 24 98-01	GASKET		1
76	522 75 02-01	SAFETY GUARD		1

**Q** PT26D  
SUPPORT WHEELS, COMBI 132, COMBI 155

56

55



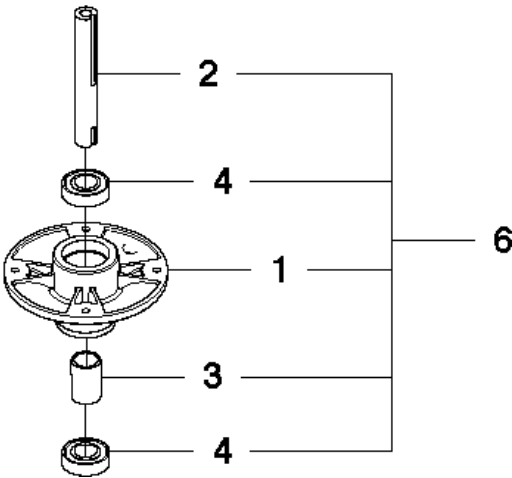


## WHEELS &amp; TIRES

PT26 D

Ref	Part No	Description	Remark	QTY	KIT
1	544 17 35-01	SUPPORTING ARM		1	55
2	544 17 35-02	SUPPORTING ARM		1	56
3	544 17 33-01	PIVOT WHEEL SUPPORT		1	55
4	544 17 33-02	PIVOT WHEEL SUPPORT		1	56
5	544 17 41-02	BEARING BUSH		2	55, 56
6	738 88 10-01	LUBRICATION NIPPLE		1	55, 56
7	544 17 34-01	FORK		1	55, 56
8	506 98 25-01	WASHER		1	55, 56
9	506 67 54-01	SCREW EHHFM		1	55, 56
10	539 10 45-56	TIRE		1	55, 56
11	539 10 18-72	SPACER		1	55, 56
12	725 25 59-51	SCREW EHHM		1	55, 56
13	732 21 22-01	NUT		1	55, 56
14	506 89 58-01	COLLAR SCREW		2	55, 56
15	544 17 50-01	SHEET		1	55
16	544 17 50-02	SHEET		1	56
17	544 19 18-01	TURNING KNOB		1	55, 56
18	544 20 02-01	SLEEVE		1	55, 56
19	725 24 95-71	SCREW EHHM		1	55, 56
20	732 21 20-51	NUT		1	55, 56
21	539 97 73-53	ROLLER BEARING		4	55, 56
22	539 97 73-56	ENDCAP, NOTCHED		1	55, 56
55	544 17 32-01	WHEEL SUSPENSION		1	
56	544 17 32-02	WHEEL SUSPENSION		1	

**R** PT26D  
SPINDLES, COMBI 132, COMBI 155



WHEELS & TIRES

PT26 D

Ref	Part No	Description	Remark	QTY	KIT
1	535 42 89-01	BEARING HOUSING		1	6
2	535 42 87-02	SHAFT		1	6
3	535 42 88-01	SPACER		1	6
4	738 22 05-19	BALL BEARING		2	6
6	535 42 86-02	BLADE HOUSING ASSY		3	

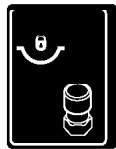
# M



6



7



11



9



9



1



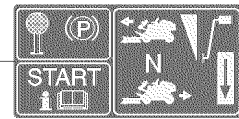
2



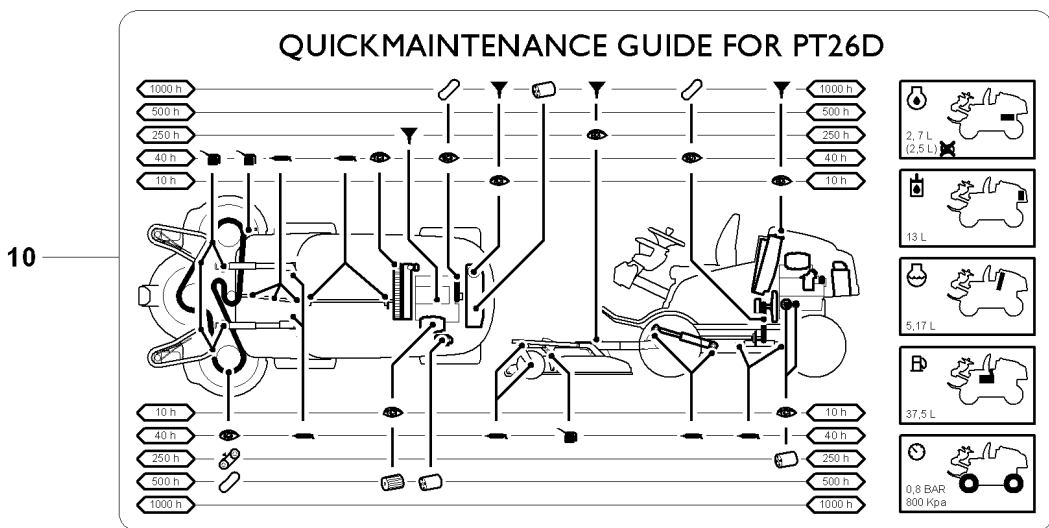
3



4



5

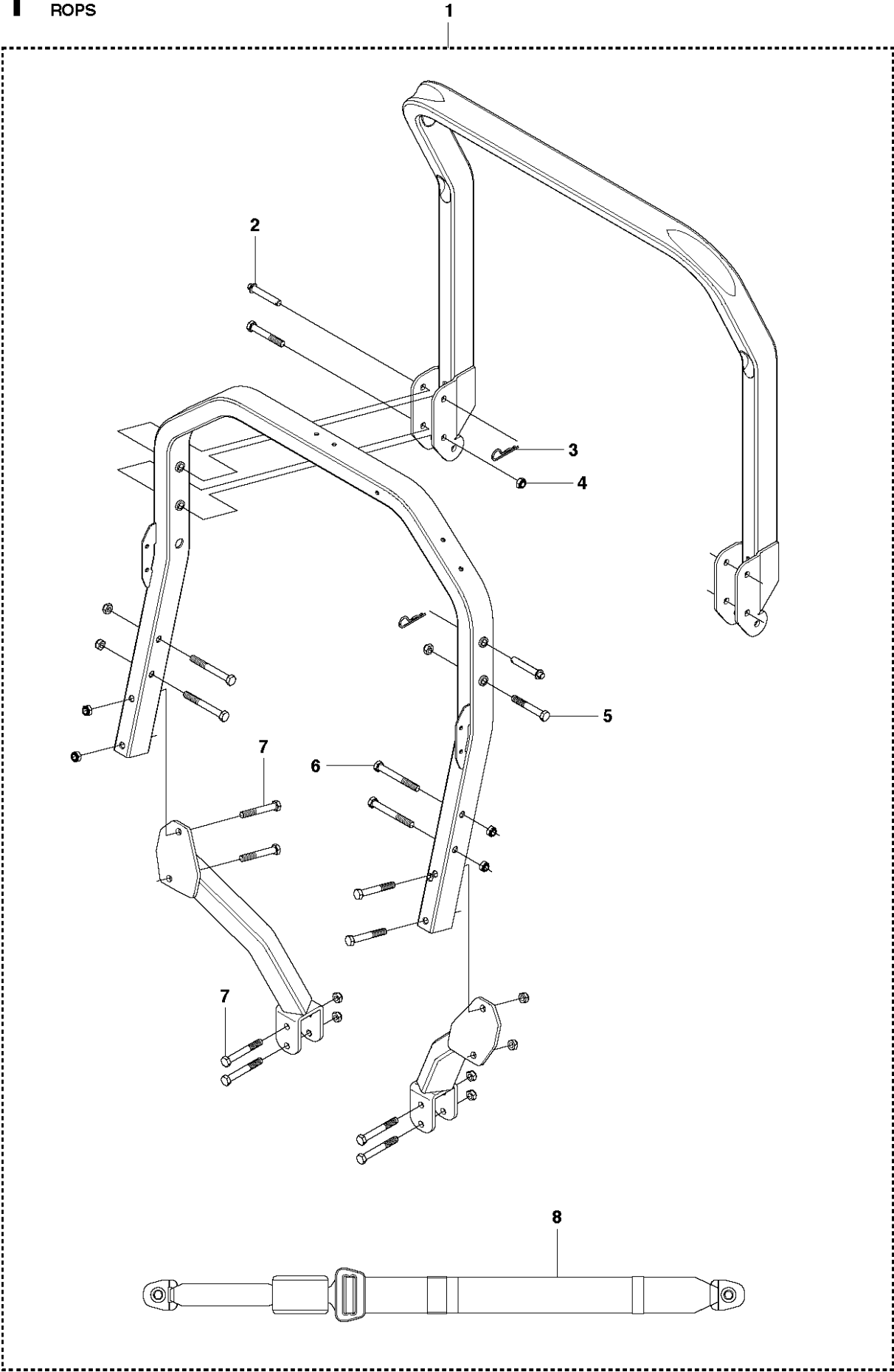


DECALS

PT26 D

Ref	Part No	Description	Remark	QTY KIT
1	544 39 11-01	LABEL		1
2	544 39 12-01	LABEL		1
3	544 39 13-01	LABEL		1
4	544 39 14-01	LABEL WARNING		1
5	522 44 63-01	LABEL		1
6	544 39 16-01	LABEL WARNING		1
7	535 50 51-01	LABEL		1
9	506 58 45-01	LABEL		1
10	504 10 78-02	DECAL		1
11	522 75 78-01	LABEL		1

**T** PT26D  
ROPS

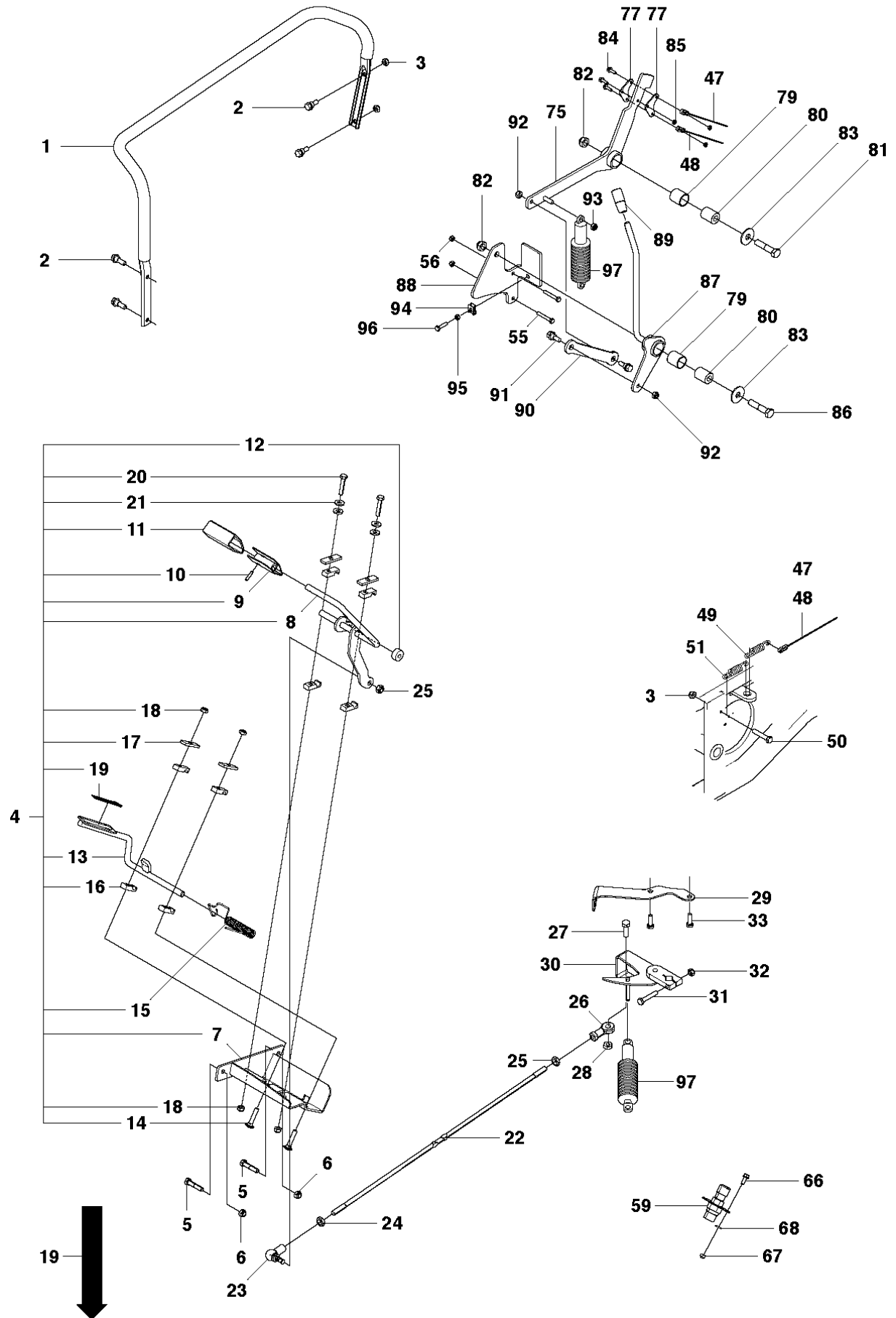


## ATTACHMENTS

PT26 D

Ref	Part No	Description	Remark	QTY	KIT
1	965 14 28-01	ROPS		1	
2	522 71 63-01	SPRINT		2	1
3	721 68 02-51	SPRING COTTER		2	1
4	732 25 22-01	HEXAGON LOCKING NUT		14	1
5	725 25 48-81	SCREW EHHM		2	1
6	725 25 52-81	SCREW EHHM		4	1
7	725 25 50-81	SCREW EHHM		8	1
8	544 91 43-01	SAFETY BELT		1	1

**G** PT26D  
CONTROL  
For 966632401, 966957001



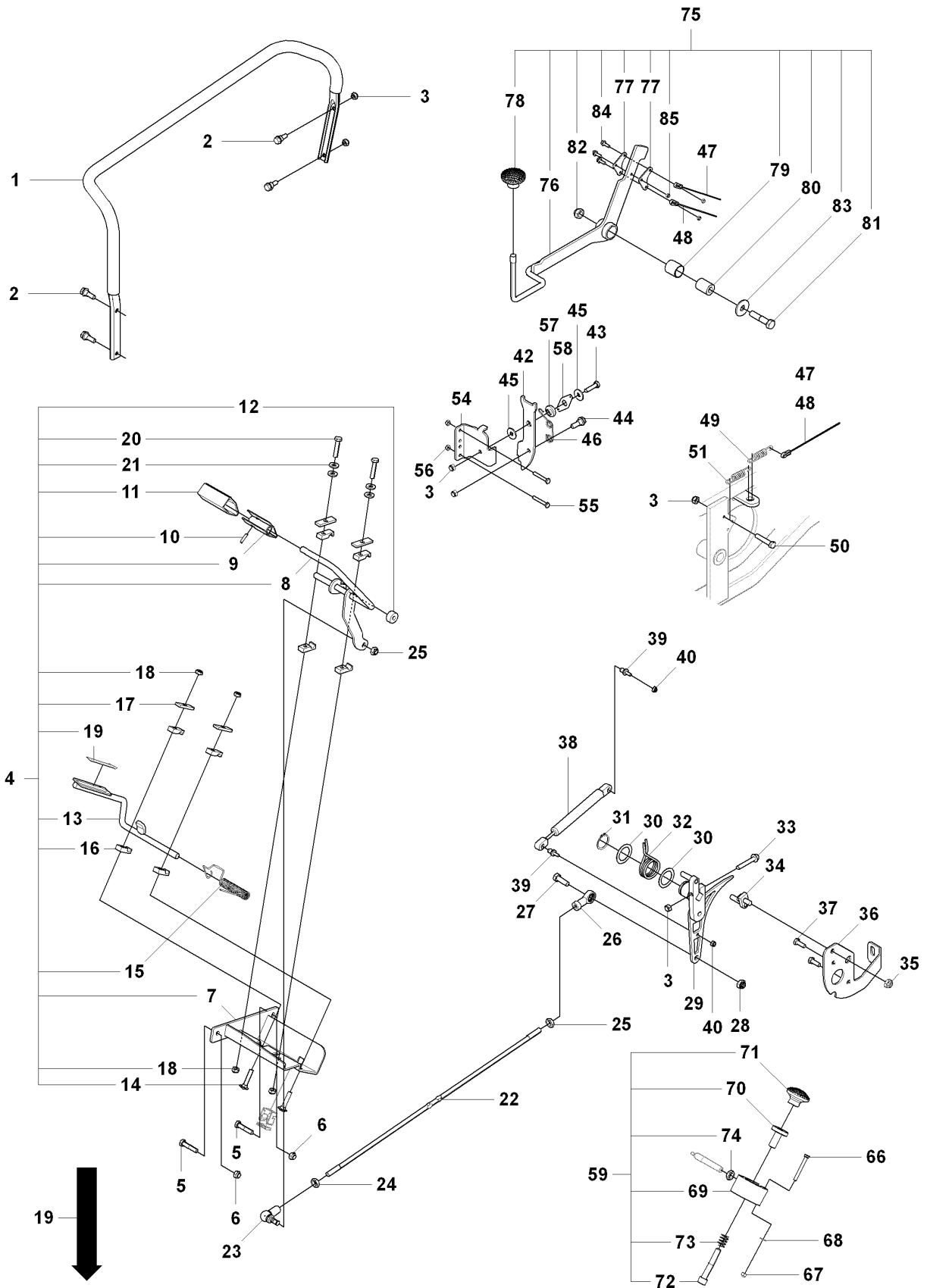


## CONTROLS

PT26 D

Ref	Part No	Description	Remark	QTY KIT
1	544 25 51-01	HANDLE ASSY		1
2	506 59 74-01	SCREW EHHFM		4
3	732 21 18-01	LOCK NUT		7
4	544 29 00-01	PEDAL PLATE ASSY		1
5	725 24 62-51	SCREW EHHM		2
6	732 21 18-01	LOCK NUT		2
7	544 28 88-01	PEDAL PLATE		1
8	544 28 94-01	HYDROSTATIC PEDAL		1
9	535 47 99-01	FOOTPLATE		1
10	721 43 09-70	SPRING PIN		1
11	506 50 62-01	PEDAL RUBBER		1
12	535 45 99-01	ROLLER		1
13	544 28 91-01	REVERSE PEDAL		1
14	727 64 59-51	SCREW		2
15	535 45 95-01	SPRING		1
16	506 95 41-01	BEARING SUPPORT		8
17	506 80 41-01	PLATE		4
18	731 21 18-01	NUT		4
19	544 33 82-01	LABEL		1
20	725 24 59-51	SCREW EHHM		2
21	734 11 64-01	WASHER		4
22	506 81 49-09	ROD		1
23	506 78 99-01	VINKELLÄNK DIN 71802		1
24	506 89 76-01	NUT		1
25	732 21 20-51	NUT		1
26	506 95 17-01	ROD END		1
27	725 24 95-71	SCREW EHHM		1
28	732 21 20-51	NUT		1
29	505 14 92-01	SHEET		1
30	505 14 95-01	CONTROL UNIT		1
31	725 24 60-71	SCREW EHHM		1
32	732 21 18-01	LOCK NUT		1
33	725 24 53-51	SCREW EHHM		2
47	544 35 76-01	WIRE ASSY		1
48	544 35 76-02	WIRE ASSY		1
49	506 94 63-01	BRAKE SPRING		2
50	725 24 60-71	SCREW EHHM		2
51	506 54 25-01	SPRING		2
55	535 47 52-45	SCREW EHHFM		2
56	732 21 16-01	LOCK NUT		2
59	522 45 42-01	DIFFERENTIAL PEDAL ASSY		1
66	725 23 68-51	SCREW		2
67	732 21 16-01	LOCK NUT		2
68	734 11 56-01	WASHER		2
75	521 90 27-01	PARKING BRAKE		1
77	544 29 03-01	LINK		2
79	506 98 61-01	GLIDLAGER		2
80	544 27 94-01	SLEEVE		2
81	725 25 43-51	SCREW EHHM		1
82	732 25 22-01	HEXAGON LOCKING NUT		2
83	734 11 80-41	WASHER		2
84	725 23 31-51	SCREW		3
85	732 21 14-01	LOCK NUT		3
86	725 25 43-51	SCREW EHHM		1
87	521 90 31-01	BRAKE LEVER		1
88	521 90 29-01	BRACKET		1
89	521 90 35-01	KNOB		1
90	521 90 36-01	LINK		1
91	506 59 74-01	SCREW EHHFM		2
92	732 21 18-01	LOCK NUT		2
93	731 23 16-01	HEXAGON NUT		1
94	535 42 91-01	SPRING NUT		1
95	731 23 16-01	HEXAGON NUT		1
96	725 23 72-71	SCREW EHHM		1
97	506 93 83-01	DAMPING PIECE		2

**G** PT26D  
For 965160601



## CONTROLS

PT26 D

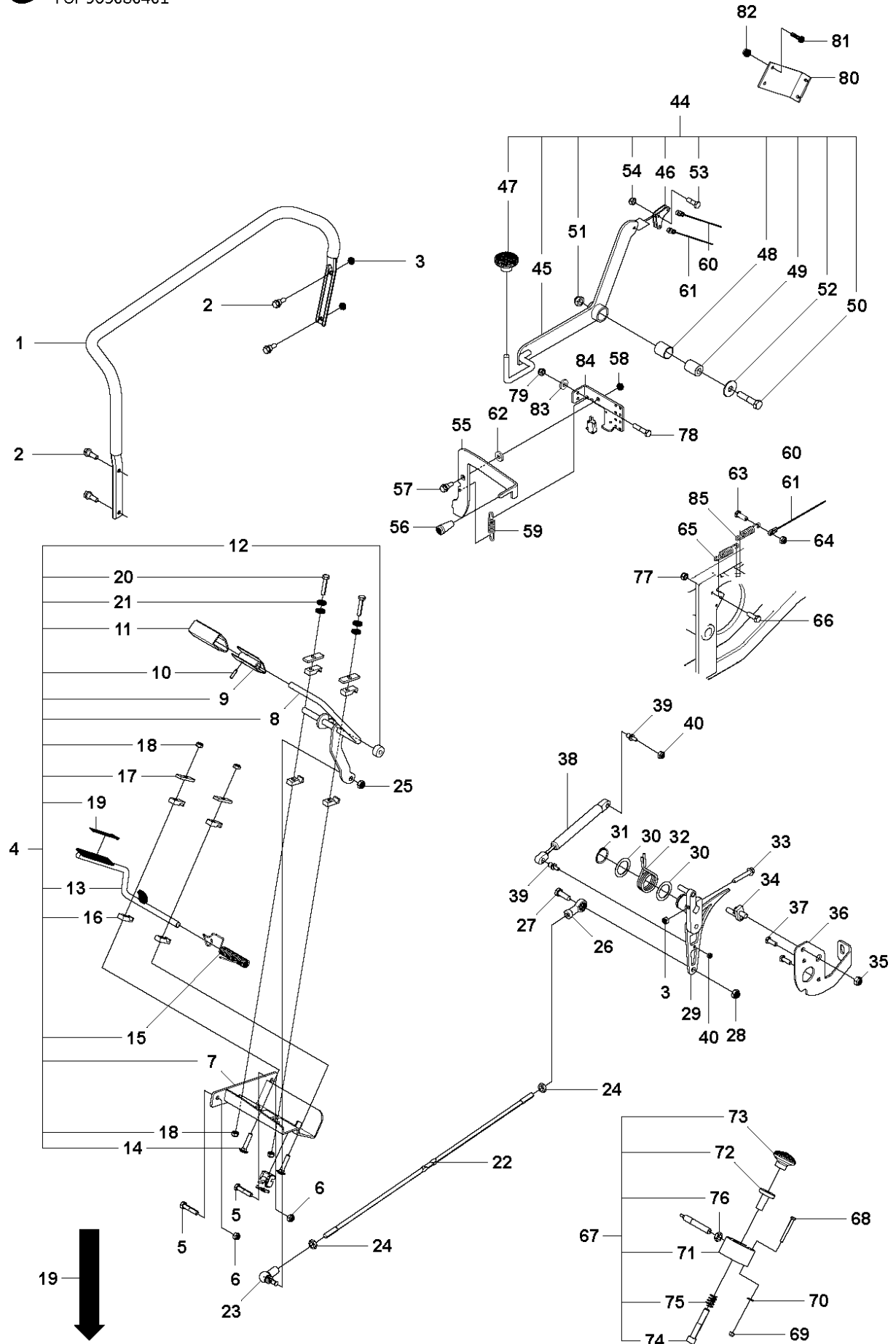
Ref	Part No	Description	Remark	QTY KIT
1	544 25 51-01	HANDLE ASSY		1
2	506 59 74-01	SCREW EHHFM		4
3	732 21 18-01	LOCK NUT		7
4	544 29 00-01	PEDAL PLATE ASSY		1
5	725 24 62-51	SCREW EHHM		2
6	732 21 18-01	LOCK NUT		2
7	544 28 88-01	PEDAL PLATE		1
8	544 28 94-01	HYDROSTATIC PEDAL		1
9	506 82 65-01	PEDISTAL MAT ASSY		1
10	721 43 09-70	SPRING PIN		1
11	506 50 62-01	PEDAL RUBBER		1
12	535 45 99-01	ROLLER		1
13	544 28 91-01	REVERSE PEDAL		1
14	727 64 59-51	SCREW		2
15	535 45 95-01	SPRING		1
16	506 95 41-01	BEARING SUPPORT		8
17	506 80 41-01	PLATE		4
18	731 21 18-01	NUT		4
19	544 33 82-01	LABEL		1
20	725 24 59-51	SCREW EHHM		2
21	734 11 63-01	WASHER		4
22	506 81 49-08	ROD		1
23	506 78 99-01	VINKELLÄNK DIN 71802		1
24	506 89 76-01	NUT		1
25	732 21 20-51	NUT		1
26	506 95 17-01	ROD END		1
27	725 24 95-71	SCREW EHHM		1
28	732 21 20-51	NUT		1
29	540 05 68-01	CONTROL UNIT		1
30	501 31 86-01	WASHER		2
31	735 31 31-00	CIRCLIP		1
32	544 33 87-01	SPRING		1
33	725 24 60-71	SCREW EHHM		1
34	540 06 38-01	ADJUSTMENT PIN		1
35	732 21 20-01	LOCK NUT		1
36	540 05 98-01	SHEET		1
37	504 02 13-01	SCREW		2
38	544 28 78-01	DAMPING PIECE		1
39	506 55 73-03	BALL JOINT		2
40	732 21 16-01	LOCK NUT		2
42	504 03 89-01	LOCKING LEVER		1
43	725 24 55-51	SCREW		1
44	506 59 74-01	SCREW EHHFM		1
45	734 11 64-41	WASHER		2
46	504 03 92-01	SPRING		1
47	544 35 76-01	WIRE ASSY		1
48	544 35 76-02	WIRE ASSY		1
49	506 94 63-01	BRAKE SPRING		2
50	725 24 60-71	SCREW EHHM		2
51	506 54 25-01	SPRING		2
54	504 03 90-01	BRACKET		1
55	725 23 78-51	SCREW EHHM		2
56	732 21 16-01	LOCK NUT		2
57	504 04 63-01	SPACER		1
58	504 03 91-01	LEVER		1
59	544 30 74-01	DIFFERENTIAL PEDAL ASSY		1
66	725 23 81-51	SCREW EHHM		4
67	732 21 16-01	LOCK NUT		4
68	734 11 56-01	WASHER		4
69	544 28 77-01	HOUSING		1
70	544 33 91-01	SLEEVE		1
71	535 47 37-01	KNOB		1
72	725 25 44-71	SCREW EHHM		1
73	544 28 76-01	SPRING		1

## CONTROLS

PT26 D

Ref	Part No	Description	Remark	QTY KIT
74	731 23 22-01	HEXAGON NUT		1
75	504 04 06-01	PARKING BRAKE		1
76	504 04 07-01	PARKING BRAKE		1
77	544 29 03-01	LINK		2
78	535 47 37-01	KNOB		1
79	506 98 61-01	GLIDLAGER		1
80	544 27 94-01	SLEEVE		1
81	725 25 43-51	SCREW EHHM		1
82	732 25 22-01	HEXAGON LOCKING NUT		1
83	734 11 80-41	WASHER		1
84	725 23 31-51	SCREW		1
85	732 21 14-01	LOCK NUT		1

**G** PT26D CONTROLS  
For 965080401



## CONTROLS

PT26 D

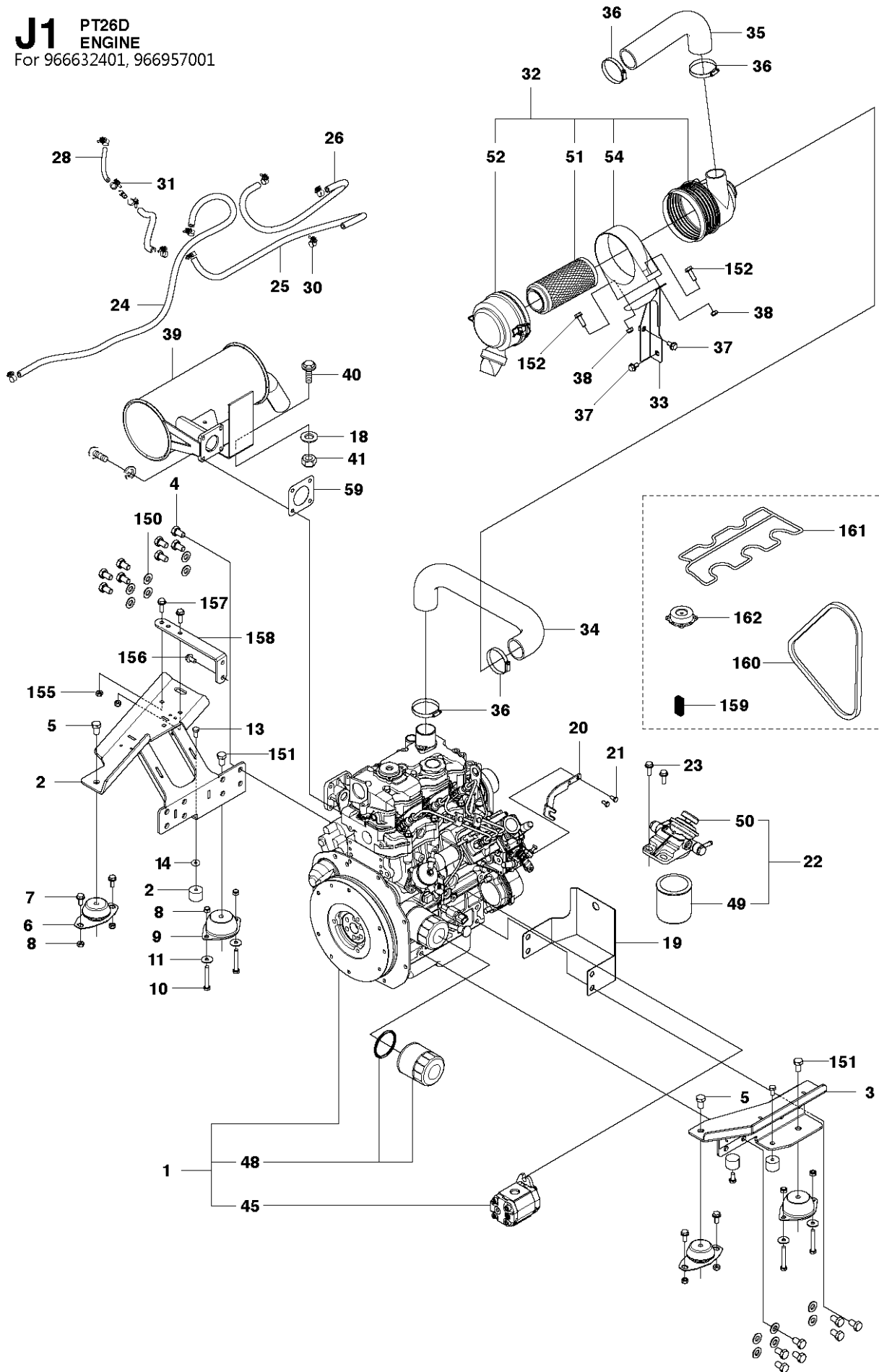
Ref	Part No	Description	Remark	QTY KIT
1	544 25 51-01	HANDLE ASSY		1
2	506 59 74-01	SCREW EHHFM		4
3	732 21 18-01	LOCK NUT		2
4	544 29 00-01	PEDAL PLATE ASSY		1
5	725 24 62-51	SCREW EHHM		2
6	732 21 18-01	LOCK NUT		2
7	544 28 88-01	PEDAL PLATE		1
8	544 28 94-01	HYDROSTATIC PEDAL		1
9	506 82 65-01	PEDISTAL MAT ASSY		1
10	721 43 09-70	SPRING PIN		1
11	506 50 62-01	PEDAL RUBBER		1
12	535 45 99-01	ROLLER		1
13	544 28 91-01	REVERSE PEDAL		1
14	727 64 59-51	SCREW		2
15	535 45 95-01	SPRING		1
16	506 95 41-01	BEARING SUPPORT		8
17	506 80 41-01	PLATE		4
18	731 21 18-01	NUT		4
19	544 33 82-01	LABEL		1
20	725 24 59-51	SCREW EHHM		2
21	734 11 63-01	WASHER		4
22	506 81 49-08	ROD		1
23	506 78 99-01	VINKELLÄNK DIN 71802		1
24	506 89 76-01	NUT		2
25	732 21 20-51	NUT		1
26	506 95 17-01	ROD END		1
27	725 24 95-71	SCREW EHHM		1
28	732 21 20-51	NUT		1
29	540 05 68-01	CONTROL UNIT		1
30	501 31 86-01	WASHER		2
31	735 31 31-00	CIRCLIP		1
32	544 33 87-01	SPRING		1
33	725 24 60-71	SCREW EHHM		1
34	540 06 38-01	ADJUSTMENT PIN		1
35	732 21 20-51	NUT		1
36	540 05 98-01	SHEET		1
37	504 02 13-01	SCREW		2
38	544 28 78-01	DAMPING PIECE		1
39	506 55 73-01	VINKELL.AS8 DIN71802		2
40	732 21 16-01	LOCK NUT		2
44	544 28 83-01	PARKING BRAKE		1
45	504 04 07-01	PARKING BRAKE		1
46	544 29 03-01	LINK		2
47	535 47 37-01	KNOB		1
48	506 98 61-01	GLIDLAGER		1
49	544 27 94-01	SLEEVE		1
50	725 25 43-51	SCREW EHHM		1
51	732 25 22-01	HEXAGON LOCKING NUT		1
52	734 11 80-41	WASHER		1
53	725 23 31-51	SCREW		1
54	732 21 14-01	LOCK NUT		1
55	544 45 90-01	LOCKING LEVER		1
56	535 43 82-01	KNOB		1
57	506 59 74-01	SCREW EHHFM		1
58	732 21 18-01	LOCK NUT		1
59	544 21 81-04	DRAW SPRING		1
60	544 35 76-01	WIRE ASSY		1
61	544 35 76-02	WIRE ASSY		1
62	734 11 77-71	WASHER		1
63	725 24 60-71	SCREW EHHM		2
64	732 21 18-01	LOCK NUT		2
65	506 54 25-01	SPRING		2
66	725 23 31-51	SCREW		2
67	544 30 74-01	DIFFERENTIAL PEDAL ASSY		1

## CONTROLS

PT26 D

Ref	Part No	Description	Remark	QTY KIT
68	725 23 81-51	SCREW EHHM		4
69	732 21 16-01	LOCK NUT		4
70	734 11 56-01	WASHER		4
71	544 28 77-01	HOUSING		1
72	544 33 91-01	SLEEVE		1
73	535 47 37-01	KNOB		1
74	725 25 44-71	SCREW EHHM		1
75	544 28 76-01	SPRING		1
76	731 23 22-01	HEXAGON NUT		1
77	732 21 14-01	LOCK NUT		2
78	725 23 78-51	SCREW EHHM		2
79	732 21 16-01	LOCK NUT		4
80	544 45 70-01	BRACKET		1
81	725 23 68-51	SCREW		2
82	732 21 16-01	LOCK NUT		2
83	734 11 56-01	WASHER		4
84	544 33 90-01	BRACKET		1
85	506 94 63-01	BRAKE SPRING		2

**J1** PT26D  
ENGINE  
For 966632401, 966957001

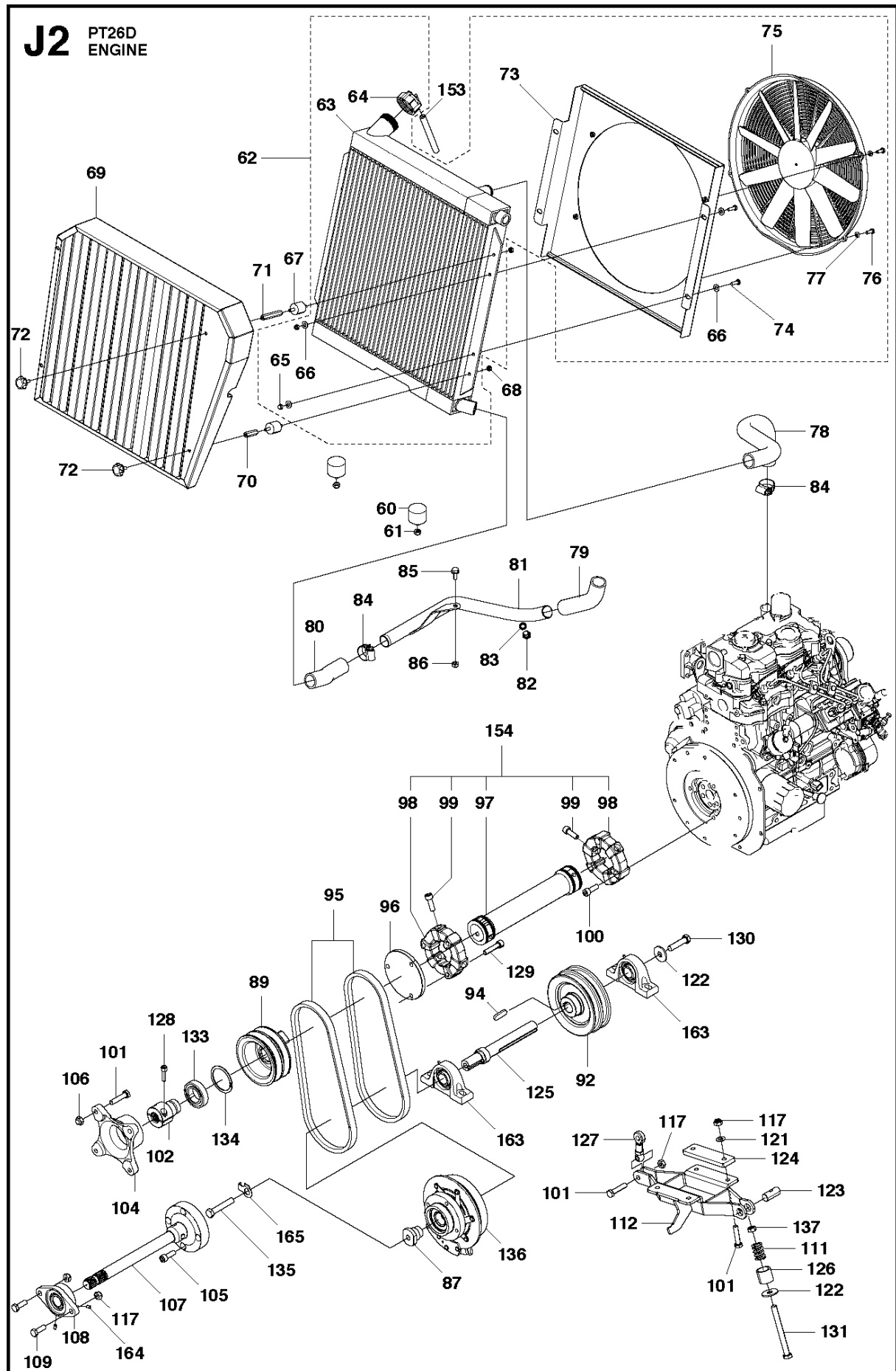




## ENGINE

PT26 D

Ref	Part No	Description	Remark	QTY KIT
1	510 19 25-01	ENGINE ASSY		1
2	504 85 45-01	ENGINE MOUNTING		1
3	510 22 06-01	ENGINE MOUNTING		1
4	544 25 19-01	SCREW EHHM		15
5	725 25 32-71	SCREW EHHM		2
6	544 19 13-03	ANTIVIBRATION ELEMENT		2
7	506 57 01-04	SCREW EHHFM		4
8	732 21 18-01	LOCK NUT		8
9	544 19 13-02	ANTIVIBRATION ELEMENT		2
10	725 24 62-51	SCREW EHHM		4
11	734 11 64-01	WASHER		4
12	544 25 21-02	ANTIVIBRATION ELEMENT		4
13	506 57 01-03	SCREW EHHFM		4
14	544 22 16-01	WASHER	For 965080401, 965160601	1
18	734 11 64-41	WASHER		1
19	544 44 32-01	PROTECTIVE PLATE		1
20	515 98 08-01	BRACKET		1
21	725 23 66-51	HEXAGONAL SCREW M6X12		2
22	544 25 16-01	FUEL FILTER		1
23	506 57 01-05	SCREW EHHFM		2
24	544 28 25-01	FUEL HOSE		1
25	544 28 25-02	FUEL HOSE		1
26	544 28 25-03	FUEL HOSE		1
28	544 28 25-05	FUEL HOSE		1
30	544 28 26-01	HOSE CLAMP		6
31	544 28 26-02	HOSE CLAMP		1
32	544 18 02-01	AIR CLEANER		1
33	544 33 98-01	BRACKET		1
34	544 18 04-01	HOSE		1
35	544 18 05-02	HOSE		1
36	544 20 27-03	HOSE CLAMP		4
37	506 57 01-03	SCREW EHHFM		2
38	732 21 18-01	LOCK NUT		2
39	522 44 65-01	MUFFLER		1
40	506 57 01-04	SCREW EHHFM		1
41	732 21 18-01	LOCK NUT		1
45	510 22 65-01	PUMP		1
48	544 29 12-01	FILTER		1
49	544 28 28-01	FUEL FILTER		1
50	544 28 29-01	FILTER HOLDER		1
51	544 28 30-01	AIR FILTER		1
52	544 28 32-01	AIR FILTER HALF		1
54	544 18 03-01	BRACKET		1
59	544 18 07-01	GASKET		1
150	734 11 77-71	WASHER		12
151	725 24 93-71	SCREW EHHM		2
152	506 57 01-05	SCREW EHHFM		2
155	732 21 18-01	LOCK NUT		2
156	506 57 01-03	SCREW EHHFM		2
157	506 57 01-05	SCREW EHHFM		2
158	505 39 68-01	BRACKET		1
159	544 91 35-01	PREFILTER		1
160	544 91 36-01	BELT		1
161	544 91 37-01	GASKET CRANKCASE		1
162	544 91 38-01	CRANKCASE		1



## ENGINE

PT26 D

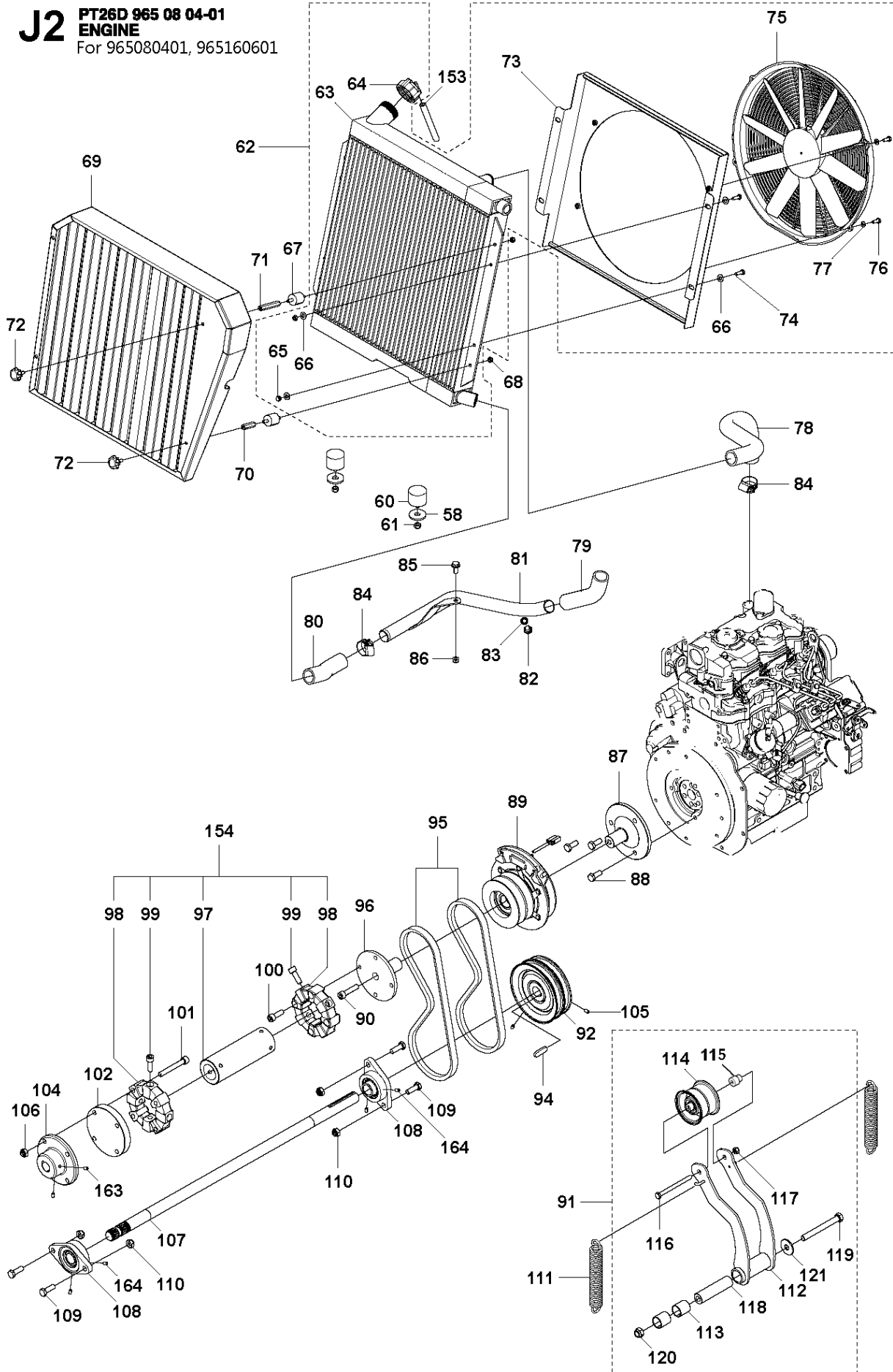
Ref	Part No	Description	Remark	QTY KIT
60	544 25 21-01	ANTIVIBRATION ELEMENT		2
61	732 21 18-01	LOCK NUT		2
62	501 01 78-01	RADIATOR ASSY		1
63	501 01 79-01	RADIATOR		1
64	544 25 61-01	LID		1
65	732 21 16-01	LOCK NUT		4
66	734 11 63-01	WASHER		8
67	544 19 00-01	ANTIVIBRATION ELEMENT		4
68	732 21 16-01	LOCK NUT		4
69	544 28 08-01	GRID		1
70	544 34 28-01	SPACING SLEEVE		2
71	544 34 28-02	SPACING SLEEVE		2
72	544 34 48-01	TURNING KNOB		4
73	540 06 28-01	FAN COVER		1
74	725 23 70-71	SCREW EHHM		4
75	544 18 10-01	ELECTRIC FAN		1
76	725 23 68-51	SCREW		4
77	734 11 52-01	WASHER		4
78	544 18 11-01	HOSE		1
79	544 18 13-01	HOSE		1
80	544 18 14-01	HOSE		1
81	544 18 98-01	TUBE		1
82	725 24 87-71	SCREW EHHM		1
83	535 43 72-02	WASHER		1
84	544 20 27-02	HOSE CLAMP		6
85	506 57 01-04	SCREW EHHFM		1
86	732 21 18-01	LOCK NUT		1
87	580 27 26-01	SPACER		1
89	505 02 04-01	PULLEY		1
92	506 00 96-01	PULLEY		1
94	504 81 35-01	WEDGE		1
95	589 53 95-01	BELT		1
96	515 98 35-01	SPACER		1
97	515 98 33-01	SHAFT		1
98	515 98 34-01	RUBBER RING		2
99	725 54 95-01	SCREW IHSCM		6
100	502 23 36-01	SCREW IHSCM		3
101	725 25 00-51	SCREW EHHM		9
102	510 09 07-01	SHAFT		1
104	506 04 32-01	BEARING CAGE		1
105	502 23 36-01	SCREW IHSCM		4
106	732 21 20-51	NUT		4
107	506 04 19-01	SHAFT ASSY		1
108	544 19 10-01	BEARING UNIT		2
109	725 24 95-71	SCREW EHHM		2
111	510 17 07-01	SPRING		2
112	506 04 27-01	BEARING CAGE		1
117	732 21 20-51	NUT		1
121	734 11 72-01	WASHER		4
122	535 42 92-01	WASHER		2
123	510 16 76-01	PEN		1
124	510 14 60-01	DISTANCE		1
125	506 04 26-01	SHAFT		1
126	522 94 69-01	SLEEVE		1
127	506 95 17-01	ROD END		1
128	725 54 55-01	SCREW IHSCM		2
129	502 23 36-02	SCREW IHSCM		3
130	725 25 42-51	SCREW EHHM		1
131	725 25 15-71	SCREW EHHM		1
133	522 66 44-01	BALL BEARING		1
134	522 66 43-01	CIRCLIP		1
135	522 68 00-01	SCREW EHHM		1
136	506 04 24-01	CLUTCH		1
137	731 23 20-51	HEXAGON NUT		1

## ENGINE

PT26 D

Ref	Part No	Description	Remark	QTY KIT
154	515 98 32-01	CLUTCH ASSY		1
163	506 04 36-01	BEARING UNIT		2
164	522 80 58-01	SCREW IHSETM		2
165	575 81 36-01	STOP WASHER		1
153	506 94 67-02	FUEL HOSE		1

**J2** PT26D 965 08 04-01  
**ENGINE**  
For 965080401, 965160601

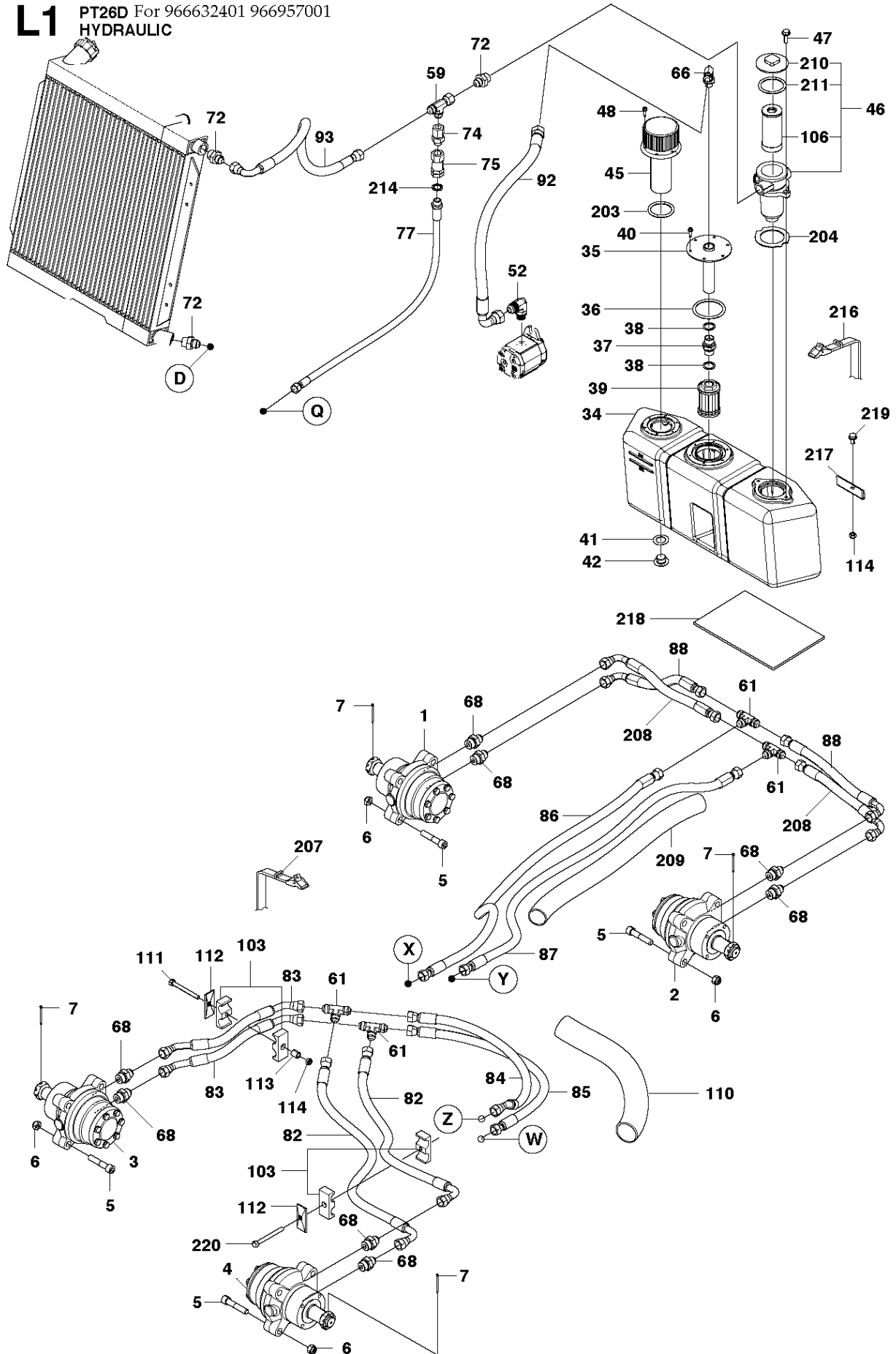


## ENGINE

PT26 D

Ref	Part No	Description	Remark	QTY KIT
60	544 25 21-01	ANTIVIBRATION ELEMENT		2
61	732 21 18-01	LOCK NUT		2
62	501 01 78-01	RADIATOR ASSY		1
63	501 01 79-01	RADIATOR		1
64	544 25 61-01	LID		1
65	732 21 16-01	LOCK NUT		4
66	734 11 63-01	WASHER		8
67	544 19 00-01	ANTIVIBRATION ELEMENT		4
68	732 21 16-01	LOCK NUT		4
69	544 28 08-01	GRID		1
70	544 34 28-01	SPACING SLEEVE		2
71	544 34 28-02	SPACING SLEEVE		2
72	544 34 48-01	TURNING KNOB		4
73	540 06 28-01	FAN COVER		1
74	725 23 70-71	SCREW EHHM		4
75	544 18 10-01	ELECTRIC FAN		1
76	725 23 68-51	SCREW		4
77	734 11 52-01	WASHER		4
78	544 18 11-01	HOSE		1
79	544 18 13-01	HOSE		1
80	544 18 14-01	HOSE		1
81	544 18 98-01	TUBE		1
82	725 24 87-71	SCREW EHHM		1
83	535 43 72-02	WASHER		1
84	544 20 27-02	HOSE CLAMP		6
85	506 57 01-04	SCREW EHHFM		1
86	732 21 18-01	LOCK NUT		1
87	544 17 92-01	POWER TAKE OFF		1
88	725 24 93-71	SCREW EHHM		3
89	504 79 99-01	CLUTCH		1
90	725 55 00-50	SCREW IHSCM		1
91	504 61 58-01	BELT TENSIONER ASSY		1
92	504 61 56-01	PULLEY		1
94	506 53 35-02	PARALLEL KEY		1
95	544 19 12-02	BELT		1
96	540 06 21-02	FLANGE		1
97	501 32 33-02	SHAFT		1
98	501 32 32-01	RUBBER RING		2
99	725 54 95-01	SCREW IHSCM		8
100	502 23 36-01	SCREW IHSCM		4
101	502 23 35-01	SCREW IHSCM	For 965080401	4
101	725 55 03-51	SCREW IHSCM	For 965160601, 965160601	1
102	540 06 22-01	SPACER		1
104	540 06 23-01	FLANGE		1
105	505 39 03-01	SCREW IHSETM		2
106	732 21 20-51	NUT		4
107	544 25 27-01	SHAFT		1
108	544 19 10-01	BEARING UNIT		2
109	725 24 95-71	SCREW EHHM		4
110	732 21 20-01	LOCK NUT		4
111	544 21 81-02	DRAW SPRING		2
112	504 61 59-01	BELT TENSIONER		1
113	506 98 61-01	GLIDLAGER		2
114	504 90 67-01	OFFSET PULLEY		1
115	506 97 64-02	BUSHING	For 965080401, 965160601, 965160601	1
116	725 25 11-51	SCREW EHHM		1
117	732 21 20-51	NUT		1
118	501 32 61-02	SLEEVE		1
119	725 25 56-51	SCREW EHHM		1
120	732 25 22-01	HEXAGON LOCKING NUT		1
121	734 11 80-41	WASHER		1
153	506 94 67-02	FUEL HOSE		1
154	540 06 19-02	CLUTCH		1
163	505 03 56-01	SCREW		2
164	522 80 58-01	SCREW IHSETM		4
58	535 42 92-01	WASHER		1

**L1** PT26D For 966632401 966957001  
HYDRAULIC



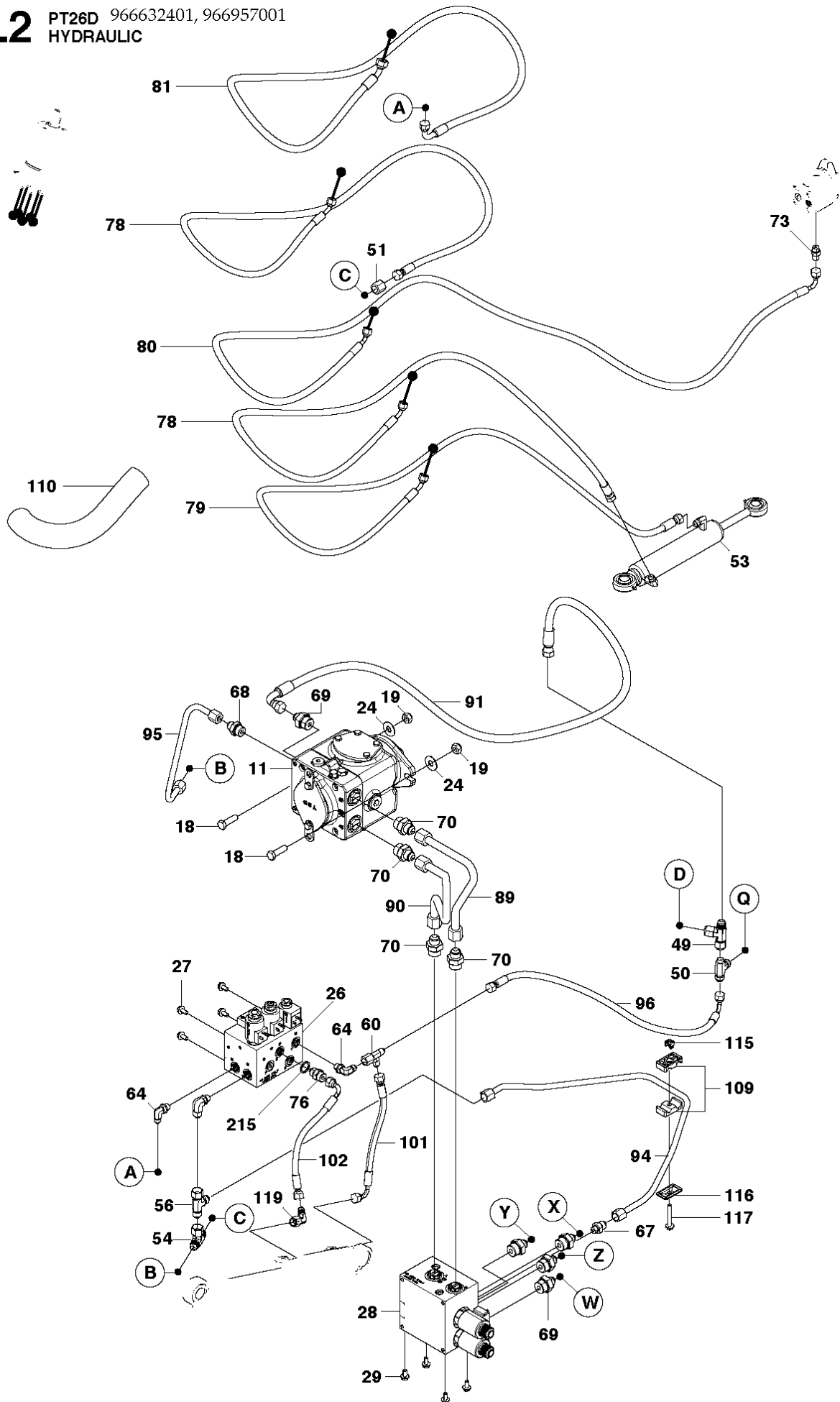
## HYDRAULIC PUMP - MOTOR

PT26 D

Ref	Part No	Description	Remark	QTY KIT
1	544 17 20-01	WHEEL MOTOR		1
2	544 17 21-01	WHEEL MOTOR		1
3	544 17 22-01	WHEEL MOTOR		1
4	544 17 23-01	WHEEL MOTOR		1
5	544 25 63-01	SCREW IHSCM		16
6	732 25 22-01	HEXAGON LOCKING NUT		16
7	721 61 87-01	SPLIT PIN		4
34	516 03 96-01	HYDRAULIC TANK		1
35	522 03 34-01	SUCTION PIPE ASSY		1
36	544 04 65-05	O-RING		1
37	544 00 97-01	PIPE FITTING		1
38	544 01 00-01	GASKET		2
39	544 00 19-01	FILTER		1
40	535 41 56-19	SCREW		6
41	522 47 13-01	WASHER		1
42	522 47 12-01	OIL PLUG		1
45	544 17 64-01	TANK CAP		1
46	544 17 65-01	FILTER HOLDER		1
47	506 57 01-03	SCREW EHHFM		3
48	535 41 56-19	SCREW		6
52	535 42 66-07	PIPE FITTING		1
59	544 34 73-01	PIPE FITTING		3
61	544 01 56-01	PIPE FITTING		5
66	535 43 73-03	PIPE FITTING		1
68	535 42 65-04	PIPE FITTING		10
72	535 42 68-02	PIPE FITTING		2
74	544 01 57-01	PIPE FITTING		1
75	544 01 54-03	CHECK VALVE		1
77	544 38 44-02	HYDRAULIC HOSE		1
82	544 30 54-03	HYDRAULIC HOSE		2
83	544 40 39-01	HYDRAULIC HOSE		2
84	544 30 54-03	HYDRAULIC HOSE		1
85	544 93 36-05	HYDRAULIC HOSE		1
86	544 93 36-03	HYDRAULIC HOSE		1
87	544 93 36-05	HYDRAULIC HOSE		1
88	544 30 55-08	HYDRAULIC HOSE		2
92	544 38 34-01	HYDRAULIC HOSE		1
93	544 30 55-07	HYDRAULIC HOSE		1
103	544 37 33-01	PIPE CLAMP		2
106	544 42 72-01	FILTER		1
110	505 45 38-01	HOSE GUARD		2
111	725 24 67-51	SCREW EHHM		1
112	544 37 38-01	COVER PLATE		2
113	504 61 61-01	TUBE		1
114	732 21 18-01	LOCK NUT		2
203	544 04 65-03	O-RING		1
204	522 49 45-01	WASHER		1
207	506 83 68-03	BELT		1
208	544 30 55-09	HYDRAULIC HOSE		2
209	544 02 66-04	HOSE GUARD		1
210	544 17 65-01	FILTER HOLDER		1
211	544 04 65-03	O-RING		1
214	535 43 72-03	WASHER		1
216	506 83 68-04	BELT		2
217	525 39 15-01	BRACKET		2
218	535 44 11-01	BATTERY MAT		2
219	506 57 01-04	SCREW EHHFM		2
220	725 24 62-51	SCREW EHHM		1



**L2** PT26D 966632401, 966957001  
HYDRAULIC

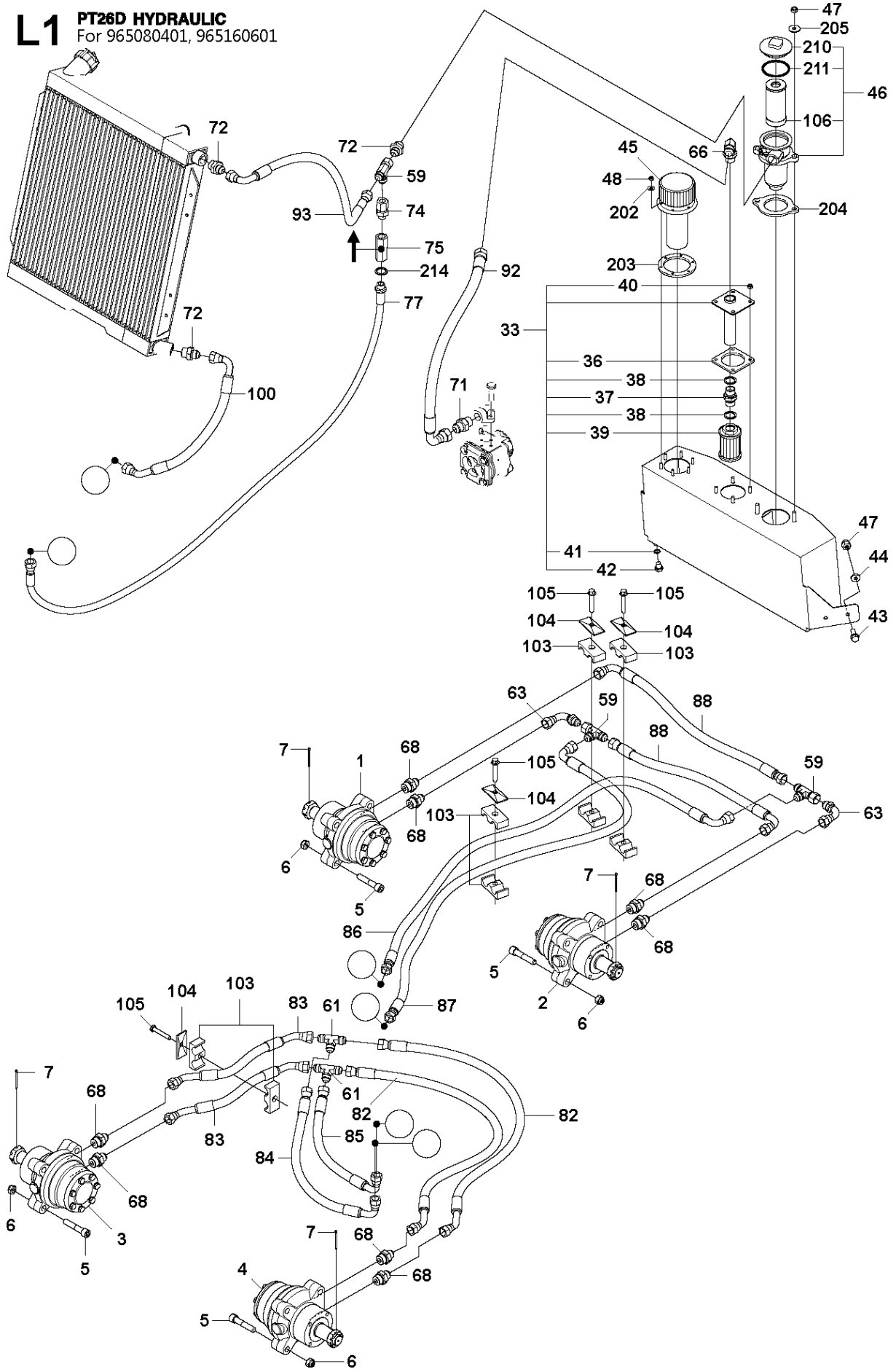


## HYDRAULIC PUMP - MOTOR

PT26 D

Ref	Part No	Description	Remark	QTY KIT
11	510 02 04-01	HYDRAULIC PUMP		1
18	725 25 40-71	SCREW EHHM		2
19	732 25 22-01	HEXAGON LOCKING NUT		2
24	535 42 92-01	WASHER		2
26	544 20 15-01	HYDRAULIC INTEGRATED CIRQUIT		1
27	506 57 01-03	SCREW EHHFM		4
28	544 20 14-01	HYDRAULIC INTEGRATED CIRQUIT		1
29	506 57 01-03	SCREW EHHFM		4
49	535 42 68-02	PIPE FITTING		1
50	544 34 73-01	PIPE FITTING		1
51	510 04 30-01	PIPE FITTING		1
53	544 17 62-01	HYDRAULIC CYLINDER		1
54	522 73 33-01	PIPE FITTING		1
56	544 34 73-01	PIPE FITTING		1
60	544 34 73-02	PIPE FITTING		2
64	535 42 66-01	PIPE FITTING		3
67	535 42 65-02	PIPE FITTING		1
68	535 42 65-04	PIPE FITTING		10
69	535 42 65-05	PIPE FITTING		4
70	535 42 65-06	PIPE FITTING		2
73	535 42 65-03	PIPE FITTING		1
76	535 43 71-02	PIPE FITTING		1
78	544 30 58-01	HYDRAULIC HOSE		2
79	544 30 58-03	HYDRAULIC HOSE		1
80	544 36 71-02	HYDRAULIC HOSE		1
81	544 36 71-01	HYDRAULIC HOSE		1
89	506 48 85-01	HYDRAULIC PIPE		1
90	506 48 86-01	HYDRAULIC PIPE		1
91	544 30 55-10	HYDRAULIC HOSE		2
94	506 48 84-01	HYDRAULIC PIPE		1
95	506 48 83-01	HYDRAULIC PIPE		1
96	544 36 69-02	HYDRAULIC HOSE		1
101	544 35 72-02	HYDRAULIC HOSE		1
102	544 35 73-02	HYDRAULIC HOSE		1
109	522 62 42-01	PIPE CLAMP		1
110	505 45 38-01	HOSE GUARD		2
115	544 81 17-01	CAGE NUT		1
116	544 37 38-01	COVER PLATE		1
117	506 57 01-03	SCREW EHHFM		1
119	544 02 67-02	PIPE FITTING		1
215	544 04 65-02	O-RING		1

**L1** PT26D HYDRAULIC  
For 965080401, 965160601

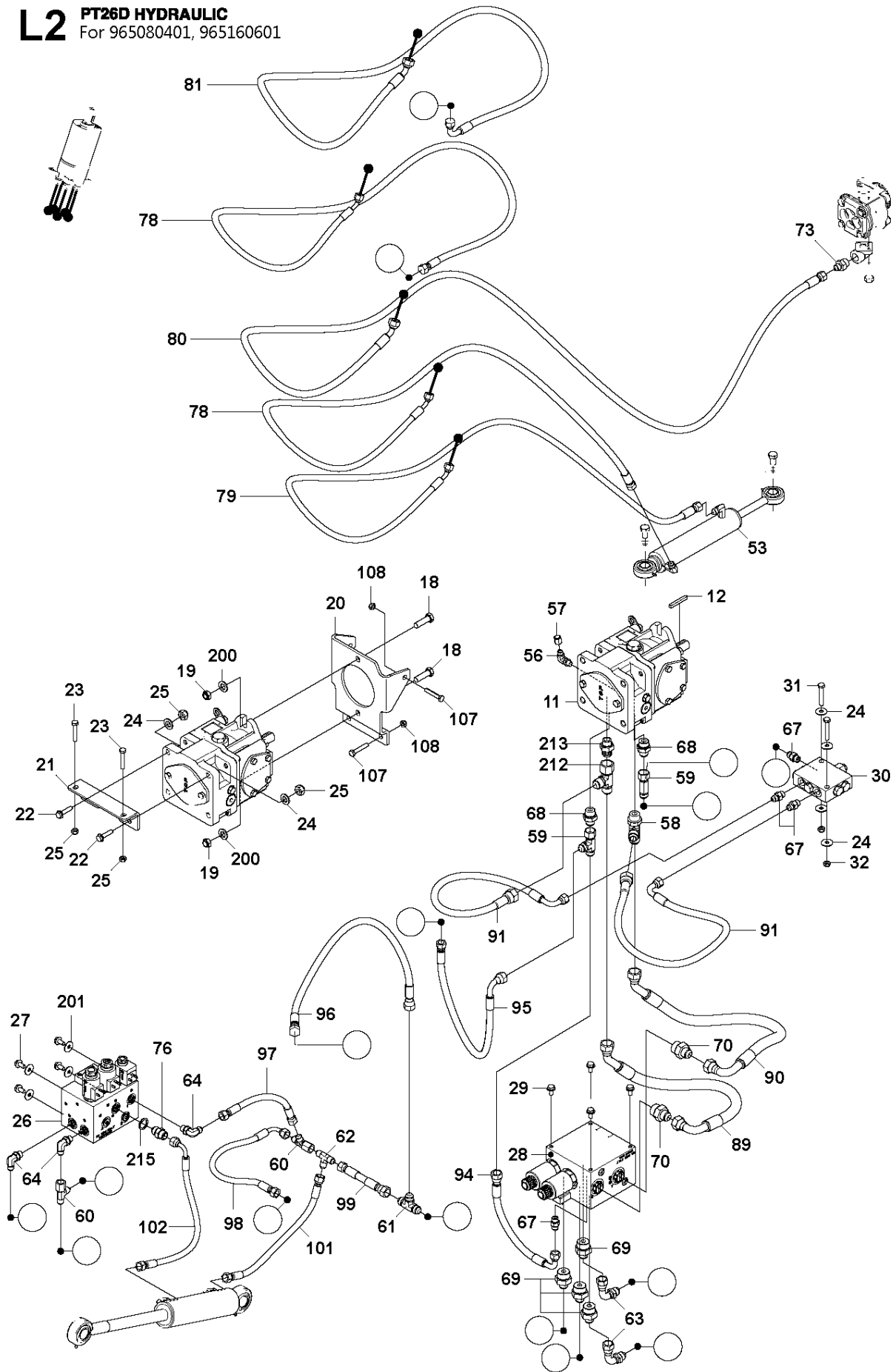


## HYDRAULIC PUMP - MOTOR

PT26 D

Ref	Part No	Description	Remark	QTY KIT
1	544 17 20-01	WHEEL MOTOR		1
2	544 17 21-01	WHEEL MOTOR		1
3	544 17 22-01	WHEEL MOTOR		1
4	544 17 23-01	WHEEL MOTOR		1
5	544 25 63-01	SCREW IHSCM		16
6	732 25 22-01	HEXAGON LOCKING NUT		16
7	721 61 87-01	SPLIT PIN		4
33	544 26 24-01	HYDRAULIC TANK ASSY		1
36	535 49 76-01	GASKET		1
37	544 00 97-01	PIPE FITTING		1
38	544 01 00-01	GASKET		2
39	544 00 19-01	FILTER		1
40	732 21 16-01	LOCK NUT		4
41	544 01 00-02	GASKET		1
42	725 24 87-71	SCREW EHHM		1
43	506 57 01-03	SCREW EHHFM		6
45	544 17 64-01	TANK CAP		1
46	544 17 65-01	FILTER HOLDER		1
47	732 21 18-01	LOCK NUT		3
48	732 21 14-01	LOCK NUT		6
59	544 34 73-01	PIPE FITTING		3
61	544 01 56-01	PIPE FITTING		5
63	544 34 71-01	PIPE FITTING		2
66	535 43 73-03	PIPE FITTING		1
68	535 42 65-04	PIPE FITTING		10
71	535 42 68-04	PIPE FITTING		1
72	535 42 68-02	PIPE FITTING		2
74	544 01 57-01	PIPE FITTING		1
75	544 01 54-03	CHECK VALVE		1
77	544 38 44-01	HYDRAULIC HOSE		1
82	544 30 54-01	HYDRAULIC HOSE		2
83	544 40 39-01	HYDRAULIC HOSE		2
84	544 30 55-05	HYDRAULIC HOSE		1
85	544 30 55-06	HYDRAULIC HOSE		1
86	544 30 55-01	HYDRAULIC HOSE		1
87	544 30 55-02	HYDRAULIC HOSE		1
88	544 30 55-08	HYDRAULIC HOSE		2
92	544 38 34-01	HYDRAULIC HOSE		1
93	544 30 55-07	HYDRAULIC HOSE		1
100	504 05 55-01	HYDRAULIC HOSE		1
103	544 37 33-01	PIPE CLAMP		2
104	544 37 38-01	COVER PLATE		2
105	725 24 61-61	SCREW EHHFT		1
106	544 42 72-01	FILTER		1
202	734 11 46-01	WASHER		6
203	504 01 31-01	GASKET		1
204	504 01 31-02	GASKET		1
205	734 11 64-01	WASHER		2
210	544 43 46-01	LID		1
211	502 65 25-01	GASKET		1
214	535 43 72-03	WASHER		1

**L2** PT26D HYDRAULIC  
For 965080401, 965160601



Ref	Part No	Description	Remark	QTY KIT
11	544 32 70-01	HYDRAULIC PUMP		1
12	506 55 59-01	WEDGE		1
18	725 25 40-71	SCREW EHHM		2
19	732 25 22-01	HEXAGON LOCKING NUT		2
20	540 06 43-01	BRACKET		1
21	540 07 20-01	BRACKET		1
22	506 57 01-06	SCREW EHHFM		2
23	725 24 60-51	SCREW EHHM		2
24	734 11 64-01	WASHER		6
25	732 21 18-01	LOCK NUT		4
26	544 20 15-01	HYDRAULIC INTEGRATED CIRQUIT		1
27	506 57 01-03	SCREW EHHFM		4
28	544 20 14-01	HYDRAULIC INTEGRATED CIRQUIT		1
29	506 57 01-03	SCREW EHHFM		4
30	544 32 75-01	BLOCK		1
31	725 24 61-51	SCREW EHHM		2
32	732 21 18-01	LOCK NUT		2
53	544 17 62-01	HYDRAULIC CYLINDER		1
56	535 42 66-06	PIPE FITTING		1
57	544 38 60-01	SEALING PLUG		1
58	544 02 03-02	PIPE FITTING		1
59	544 34 73-01	PIPE FITTING		3
60	544 34 73-02	PIPE FITTING		2
61	544 01 56-01	PIPE FITTING		5
62	544 01 56-02	PIPE FITTING		1
63	544 34 71-01	PIPE FITTING		2
64	535 42 66-01	PIPE FITTING		3
67	535 42 65-01	PIPE FITTING		4
68	535 42 65-04	PIPE FITTING		10
69	535 42 65-05	PIPE FITTING		4
70	535 42 65-06	PIPE FITTING		2
73	535 42 68-03	PIPE FITTING		1
76	535 43 71-02	PIPE FITTING		1
78	544 30 58-01	HYDRAULIC HOSE		2
79	544 30 58-03	HYDRAULIC HOSE		1
80	544 30 57-01	HYDRAULIC HOSE		1
81	544 36 71-01	HYDRAULIC HOSE		1
89	544 32 77-01	HYDRAULIC HOSE		1
90	544 32 77-02	HYDRAULIC HOSE		1
91	544 35 94-01	HYDRAULIC HOSE		2
94	544 30 56-02	HYDRAULIC HOSE		1
95	544 36 69-01	HYDRAULIC HOSE		1
96	501 04 77-01	HYDRAULIC HOSE		1
97	544 35 72-01	HYDRAULIC HOSE		1
98	544 35 73-01	HYDRAULIC HOSE		1
99	544 35 83-01	HYDRAULIC HOSE		1
101	544 35 72-02	HYDRAULIC HOSE		1
102	544 35 73-02	HYDRAULIC HOSE		1
107	725 24 93-71	SCREW EHHM		4
108	732 21 20-51	NUT		4
200	535 42 92-01	WASHER		2
201	734 11 64-41	WASHER		4
212	544 34 73-03	PIPE FITTING		1
213	535 42 65-08	PIPE FITTING		1
215	544 04 65-02	O-RING		1