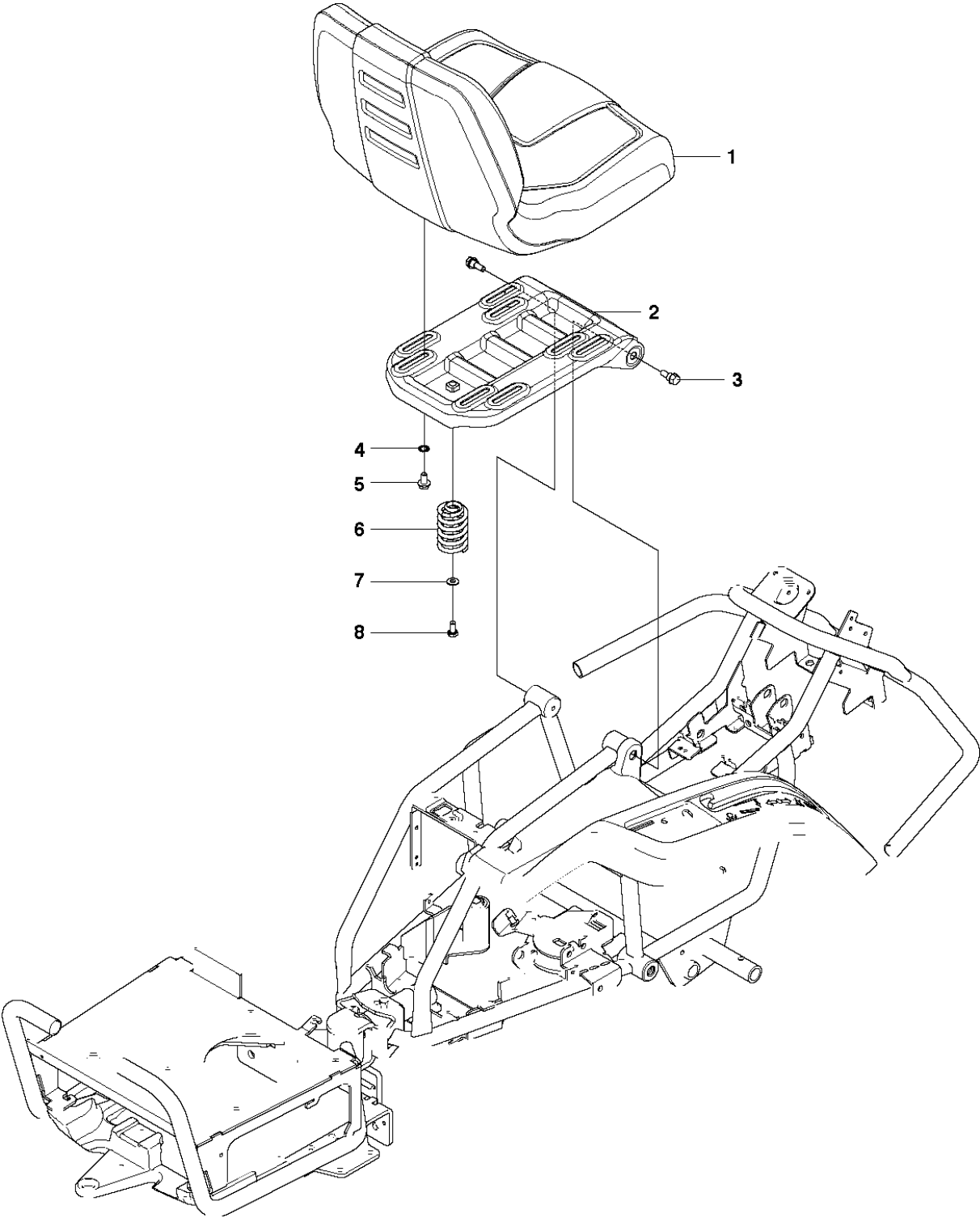




SPARE PARTS LIST

RIDERS

RIDER 111 B, 965996885, 2010-07

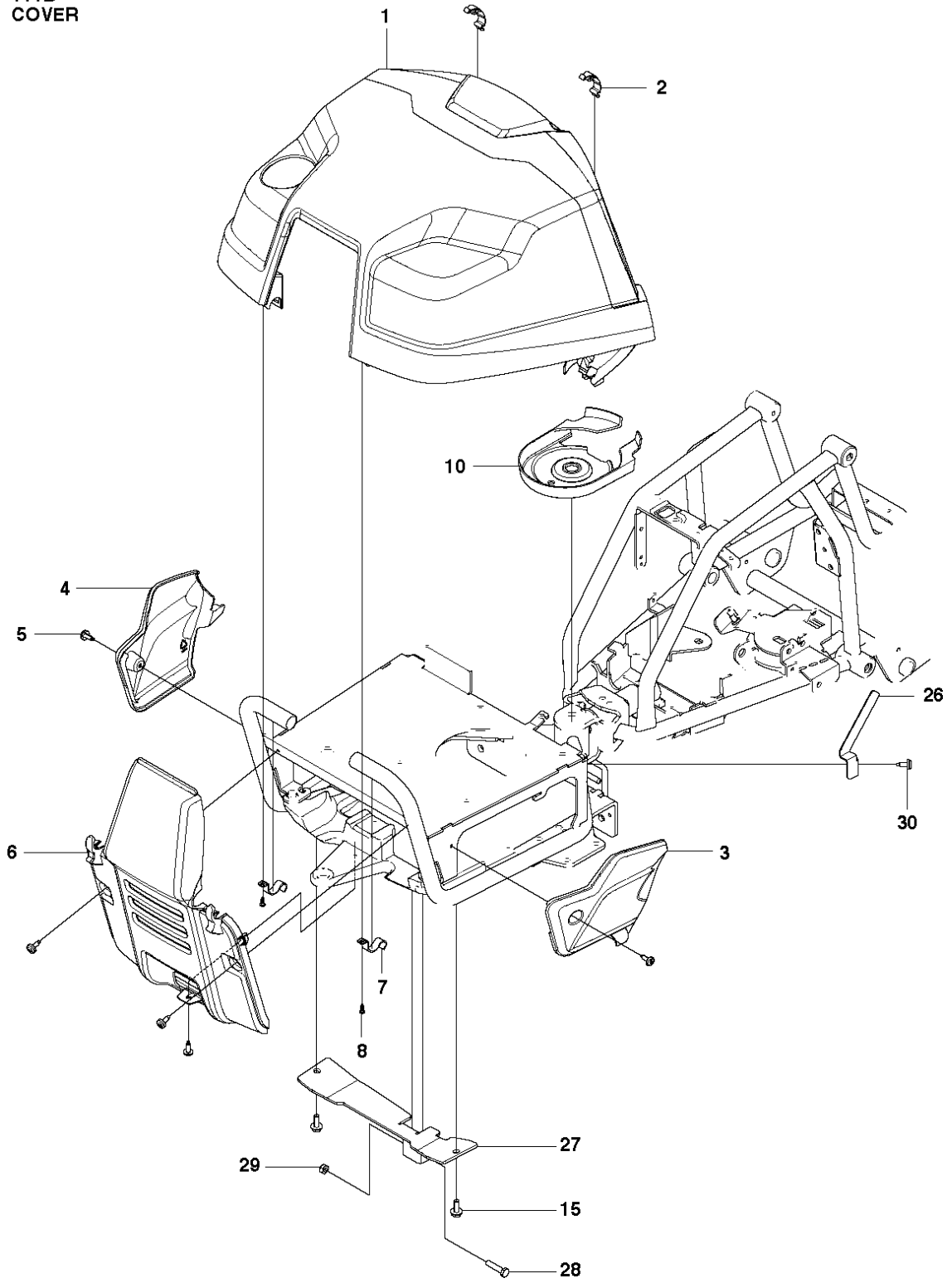


SEAT

RIDER 111 B, 965996885, 2010-07

| Ref | Part No | Description | Remark | QTY KIT |
|-----|--------------|--------------------|--------|---------|
| 1 | 525 81 48-01 | SEAT | | 1 |
| 2 | 522 77 51-01 | SEAT BRACKET | | 1 |
| 3 | 506 59 74-01 | SCREW EHHFM | | 2 |
| 4 | 735 21 64-00 | LOCKWASHER | | 4 |
| 5 | 506 57 01-03 | SCREW EHHFM | | 4 |
| 6 | 506 91 53-01 | COMPRESSION SPRING | | 1 |
| 7 | 734 11 74-41 | WASHER | | 1 |
| 8 | 725 24 93-71 | SCREW EHHM | | 1 |

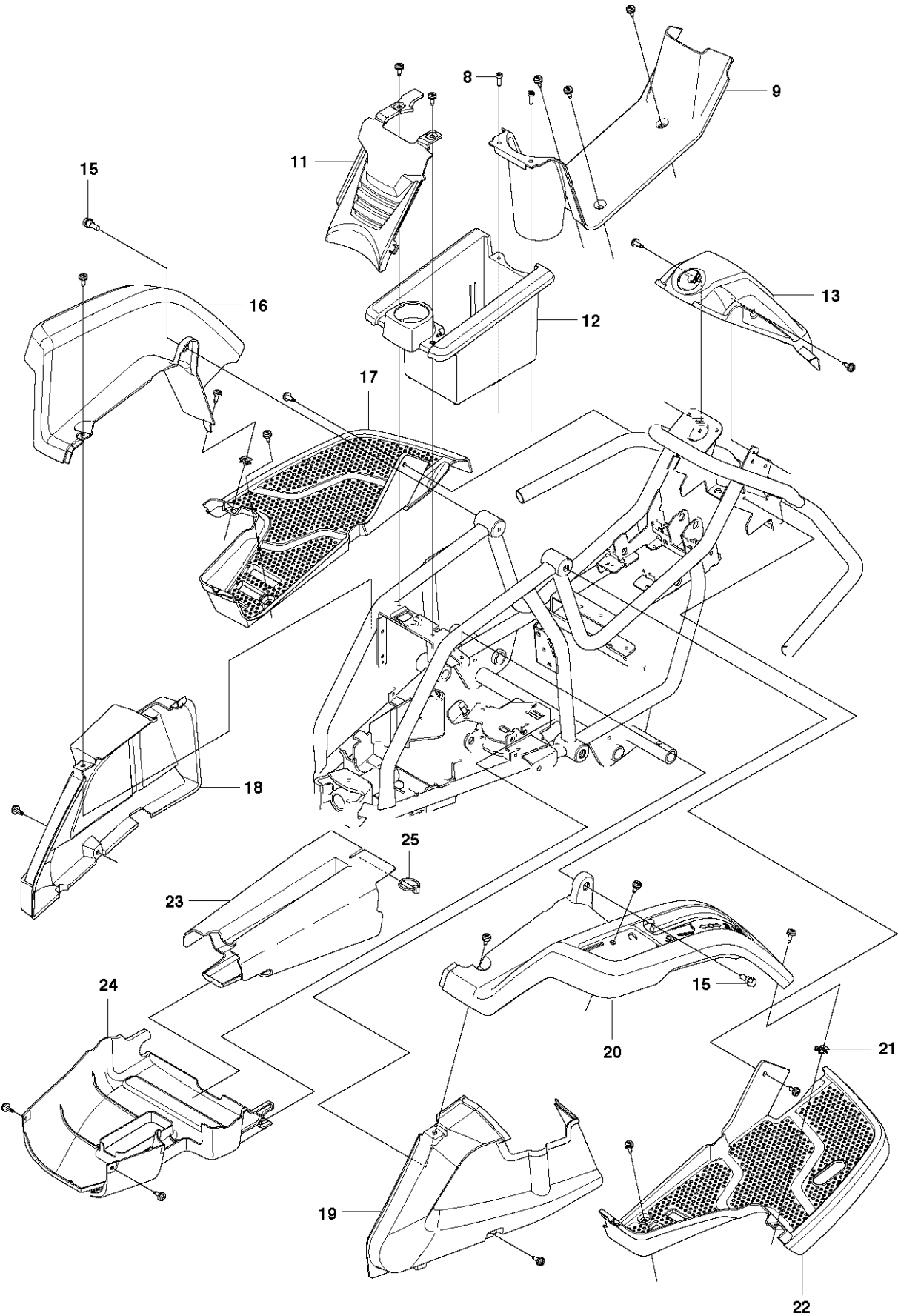
B1 111B
COVER



COVER

RIDER 111 B, 965996885, 2010-07

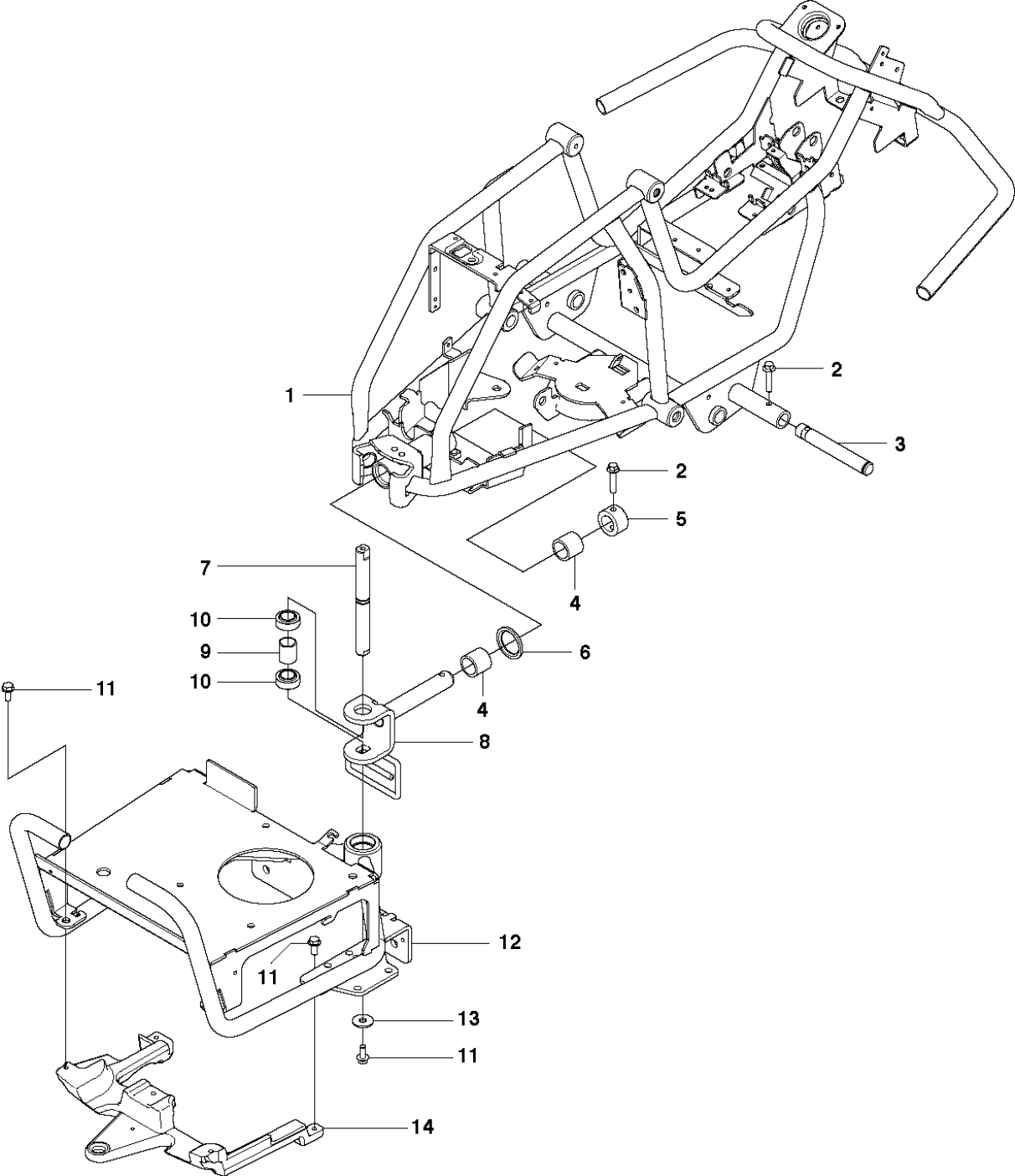
| Ref | Part No | Description | Remark | QTY KIT |
|-----|--------------|------------------|--------|---------|
| 1 | 522 82 80-01 | ENGINE HOOD ASSY | | 1 |
| 2 | 503 89 47-01 | SNAP LOCKING | | 2 |
| 3 | 525 49 78-01 | COVER | | 1 |
| 4 | 525 49 79-01 | COVER | | 1 |
| 5 | 544 40 05-01 | SCREW | | 27 |
| 6 | 522 60 21-01 | SKID PLATE | | 1 |
| 7 | 525 88 11-01 | SHEET | | 2 |
| 8 | 503 21 74-16 | SCREW IHSCT | | 4 |
| 10 | 522 50 81-01 | COVER | | 1 |
| 15 | 506 57 01-04 | SCREW EHHFM | | 1 |
| 26 | 575 35 49-01 | BRACKET | | 1 |
| 27 | 575 45 31-01 | BRACKET | | 1 |
| 28 | 535 42 38-02 | SCREW RSQM | | 1 |
| 29 | 732 21 18-01 | LOCK NUT | | 1 |
| 30 | 544 40 05-01 | SCREW | | 1 |



COVER

RIDER 111 B, 965996885, 2010-07

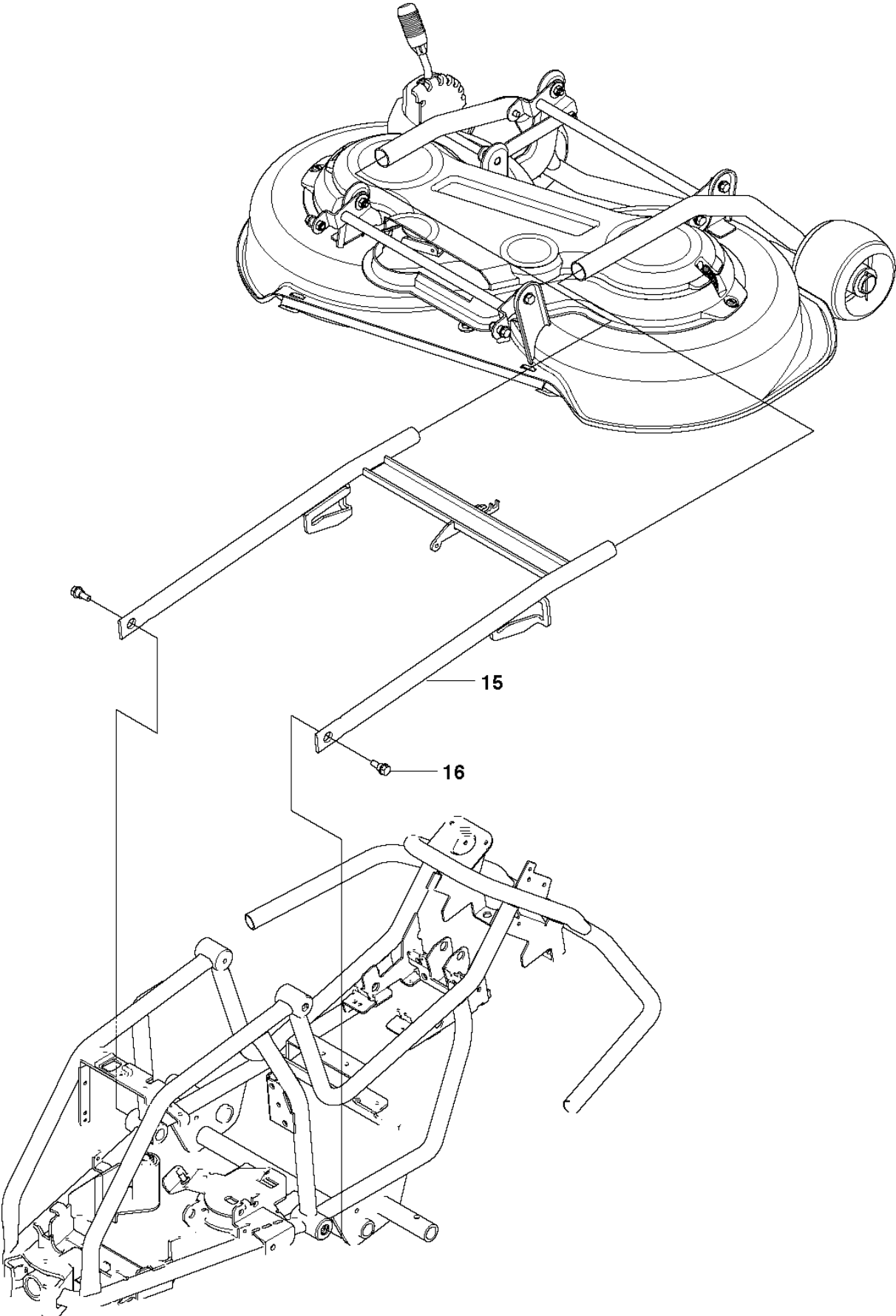
| Ref | Part No | Description | Remark | QTY KIT |
|-----|--------------|---------------|--------|---------|
| 8 | 503 21 74-16 | SCREW IHSCT | | 4 |
| 9 | 522 60 18-01 | COVER | | 1 |
| 11 | 525 47 79-01 | COVER | | 1 |
| 12 | 525 47 78-01 | BATTERY BOX | | 1 |
| 13 | 575 83 92-01 | COVER | | 1 |
| 15 | 506 57 01-04 | SCREW EHHFM | | 2 |
| 16 | 521 89 07-01 | COVER | | 1 |
| 17 | 521 88 91-01 | FOOT PLATE | | 1 |
| 18 | 522 60 19-01 | COVER | | 1 |
| 19 | 522 60 20-01 | COVER | | 1 |
| 20 | 521 88 93-01 | CONTROL PANEL | | 1 |
| 21 | 535 42 91-01 | SPRING NUT | | 2 |
| 22 | 521 88 92-01 | FOOT PLATE | | 1 |
| 23 | 525 39 61-01 | COVER | | 1 |
| 24 | 575 75 14-01 | COVER | | 1 |
| 25 | 574 60 08-01 | SPRINT | | 1 |



CHASSIS / FRAME

RIDER 111 B, 965996885, 2010-07

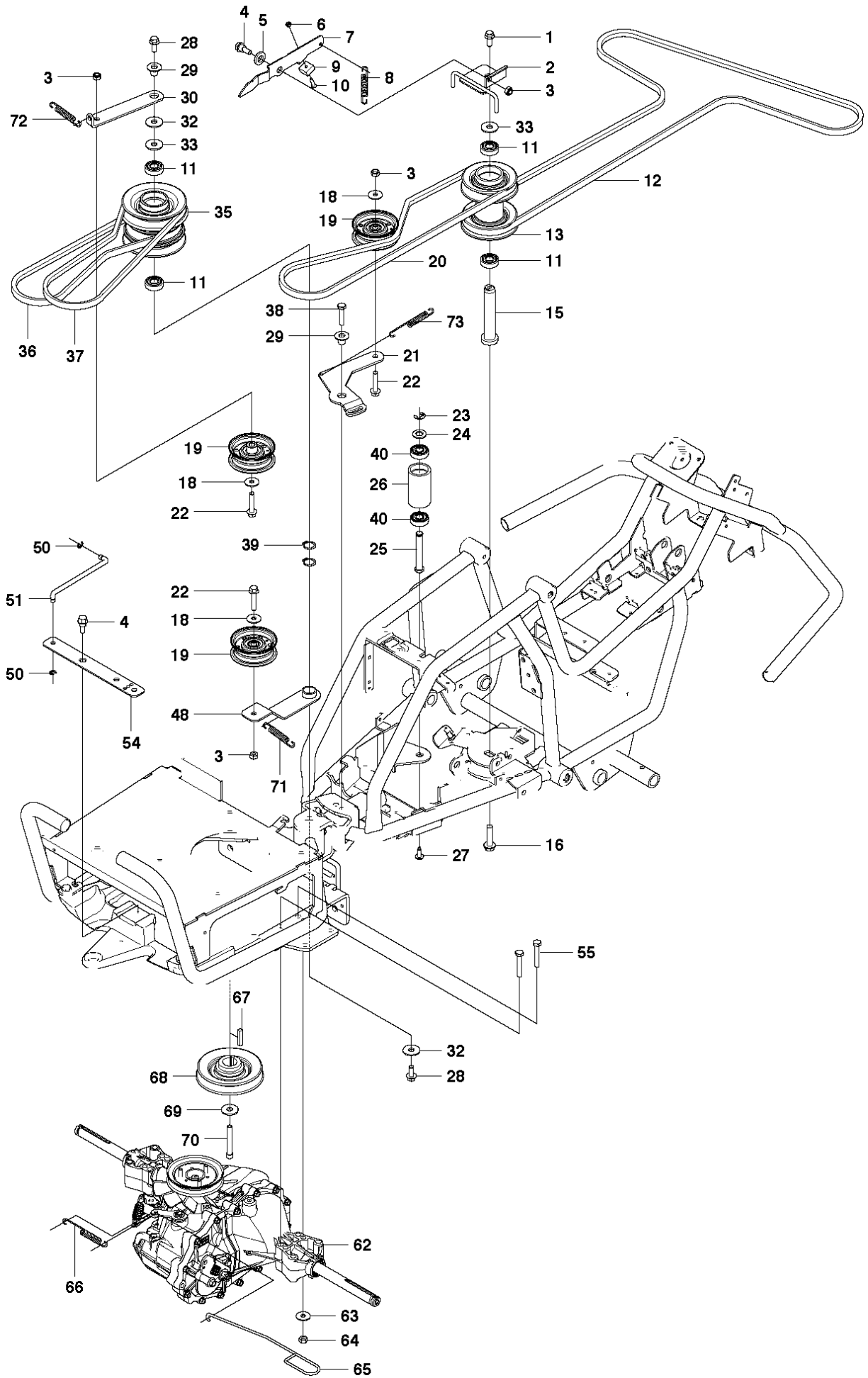
| Ref | Part No | Description | Remark | QTY KIT |
|-----|--------------|---------------|--------|---------|
| 1 | 522 41 61-01 | FRAME | | 1 |
| 2 | 725 24 59-61 | SCREW EHHFT | | 3 |
| 3 | 535 47 08-01 | WHEEL AXLE | | 2 |
| 4 | 506 98 61-01 | GLIDLAGER | | 2 |
| 5 | 522 42 52-01 | STOP SLEEVE | | 1 |
| 6 | 522 42 53-01 | SPACER | | 1 |
| 7 | 522 42 46-01 | SHAFT | | 1 |
| 8 | 522 42 47-01 | SWING AXLE | | 1 |
| 9 | 522 42 45-01 | SLEEVE | | 1 |
| 10 | 574 36 85-01 | BEARING | | 2 |
| 11 | 506 57 01-04 | SCREW EHHFM | | 5 |
| 12 | 522 42 31-01 | FRAME | | 1 |
| 13 | 734 11 74-41 | WASHER | | 1 |
| 14 | 525 35 23-01 | COUNTERWEIGHT | | 1 |



CHASSIS / FRAME

RIDER 111 B, 965996885, 2010-07

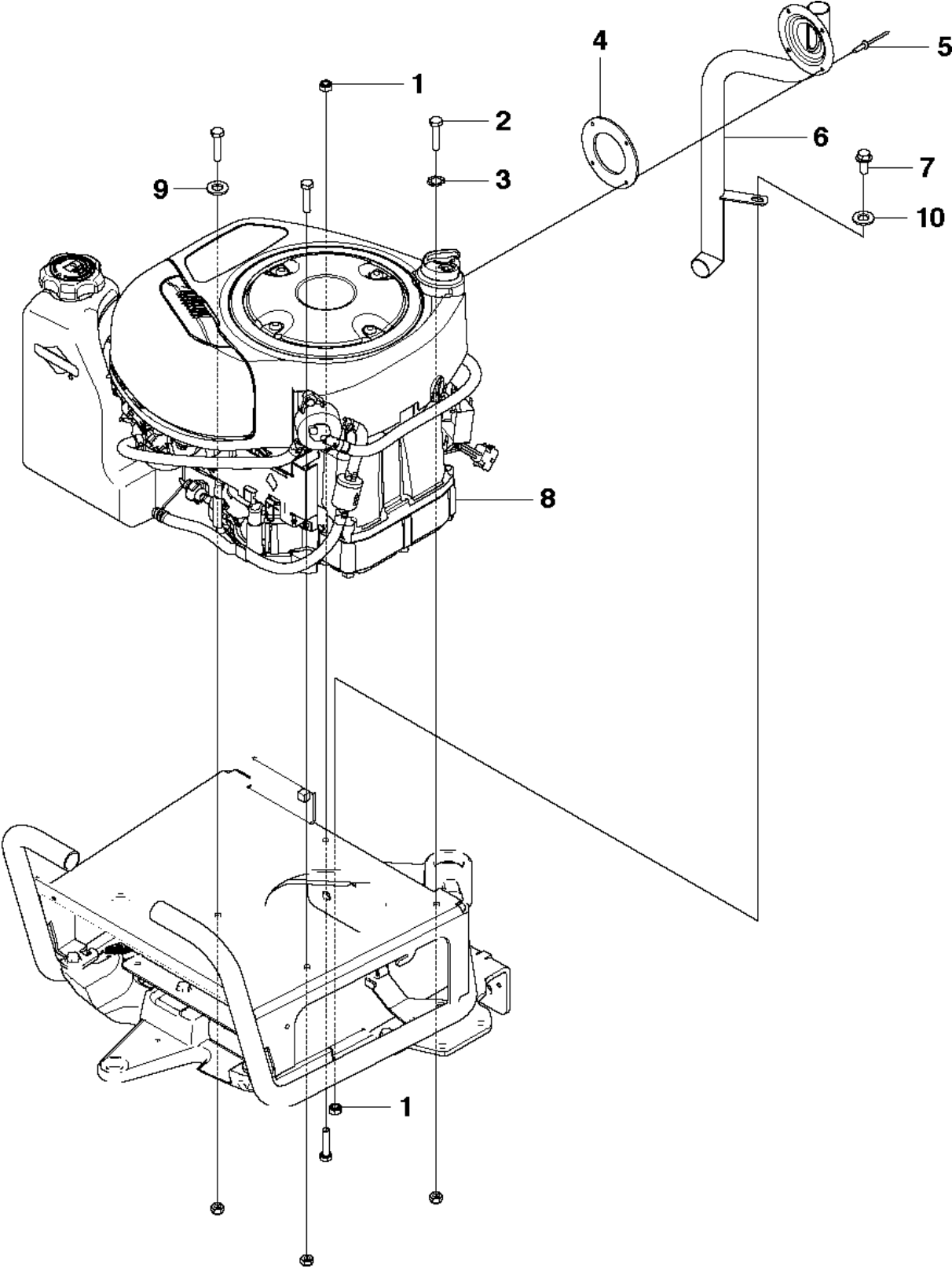
| Ref | Part No | Description | Remark | QTY KIT |
|-----|--------------|-----------------|--------|---------|
| 15 | 522 45 15-01 | EQUIPMENT FRAME | | 1 |
| 16 | 506 89 58-01 | COLLAR SCREW | | 2 |



TRANSMISSION

RIDER 111 B, 965996885, 2010-07

| Ref | Part No | Description | Remark | QTY KIT |
|-----|--------------|----------------|--------|---------|
| 1 | 506 57 01-03 | SCREW EHHFM | | 1 |
| 2 | 575 43 02-01 | BRACKET | | 1 |
| 3 | 732 21 18-01 | LOCK NUT | | 4 |
| 4 | 506 59 74-01 | SCREW EHHFM | | 2 |
| 5 | 575 53 87-01 | WASHER | | 1 |
| 6 | 732 21 14-01 | LOCK NUT | | 1 |
| 7 | 575 43 03-01 | ARM | | 1 |
| 8 | 575 92 89-01 | SPRING | | 1 |
| 9 | 506 83 36-01 | BRAKE LINING | | 1 |
| 10 | 723 53 31-51 | SCREW SLCSFM | | 1 |
| 11 | 738 21 04-04 | BALL BEARING | | 4 |
| 12 | 589 53 14-01 | BELT | | 1 |
| 13 | 574 25 95-01 | PULLEY | | 1 |
| 15 | 574 25 98-01 | SHAFT | | 1 |
| 16 | 506 67 54-02 | SCREW EHHFM | | 1 |
| 18 | 734 11 64-41 | WASHER | | 3 |
| 19 | 539 91 90-78 | PULLEY | | 3 |
| 20 | 589 53 28-01 | BELT | | 1 |
| 21 | 522 60 29-01 | BELT TENSIONER | | 1 |
| 22 | 725 24 59-51 | SCREW EHHM | | 3 |
| 23 | 735 31 15-20 | E-CLIP | | 1 |
| 24 | 734 11 78-01 | WASHER | | 1 |
| 25 | 525 40 37-01 | SHAFT | | 1 |
| 26 | 525 40 36-01 | PULLEY | | 1 |
| 27 | 544 40 05-01 | SCREW | | 1 |
| 28 | 506 57 01-05 | SCREW EHHFM | | 2 |
| 29 | 574 87 41-01 | WASHER | | 2 |
| 30 | 522 83 16-01 | BRACKET | | 1 |
| 32 | 734 11 74-41 | WASHER | | 2 |
| 33 | 506 50 48-05 | WASHER | | 2 |
| 35 | 525 40 39-01 | PULLEY | | 1 |
| 36 | 589 53 36-01 | BELT | | 1 |
| 37 | 589 53 33-01 | BELT | | 1 |
| 38 | 506 57 01-05 | SCREW EHHFM | | 1 |
| 39 | 735 31 22-00 | CIRCLIP | | 2 |
| 40 | 738 22 01-19 | BALL BEARING | | 2 |
| 48 | 574 41 19-01 | BRACKET | | 1 |
| 50 | 735 31 10-20 | E-CLIP | | 2 |
| 51 | 525 40 81-01 | ROD | | 1 |
| 54 | 522 82 32-01 | LINK ARM | | 1 |
| 55 | 725 24 66-51 | SCREW | | 4 |
| 62 | 574 44 91-01 | TRANSMISSION | | 1 |
| 63 | 734 11 64-01 | WASHER | | 4 |
| 64 | 731 23 18-01 | HEXAGON NUT | | 4 |
| 65 | 525 39 19-01 | ARM | | 1 |
| 66 | 506 83 43-01 | SPRING | | 1 |
| 67 | 506 55 59-02 | WEDGE | | 1 |
| 68 | 522 82 76-01 | PULLEY | | 1 |
| 69 | 506 59 75-01 | WASHER | | 1 |
| 70 | 506 55 60-02 | SCREW UNC | | 1 |
| 71 | 574 50 62-01 | SPRING | | 1 |
| 72 | 574 50 61-01 | SPRING | | 1 |
| 73 | 575 56 72-01 | SPRING | | 1 |



ENGINE

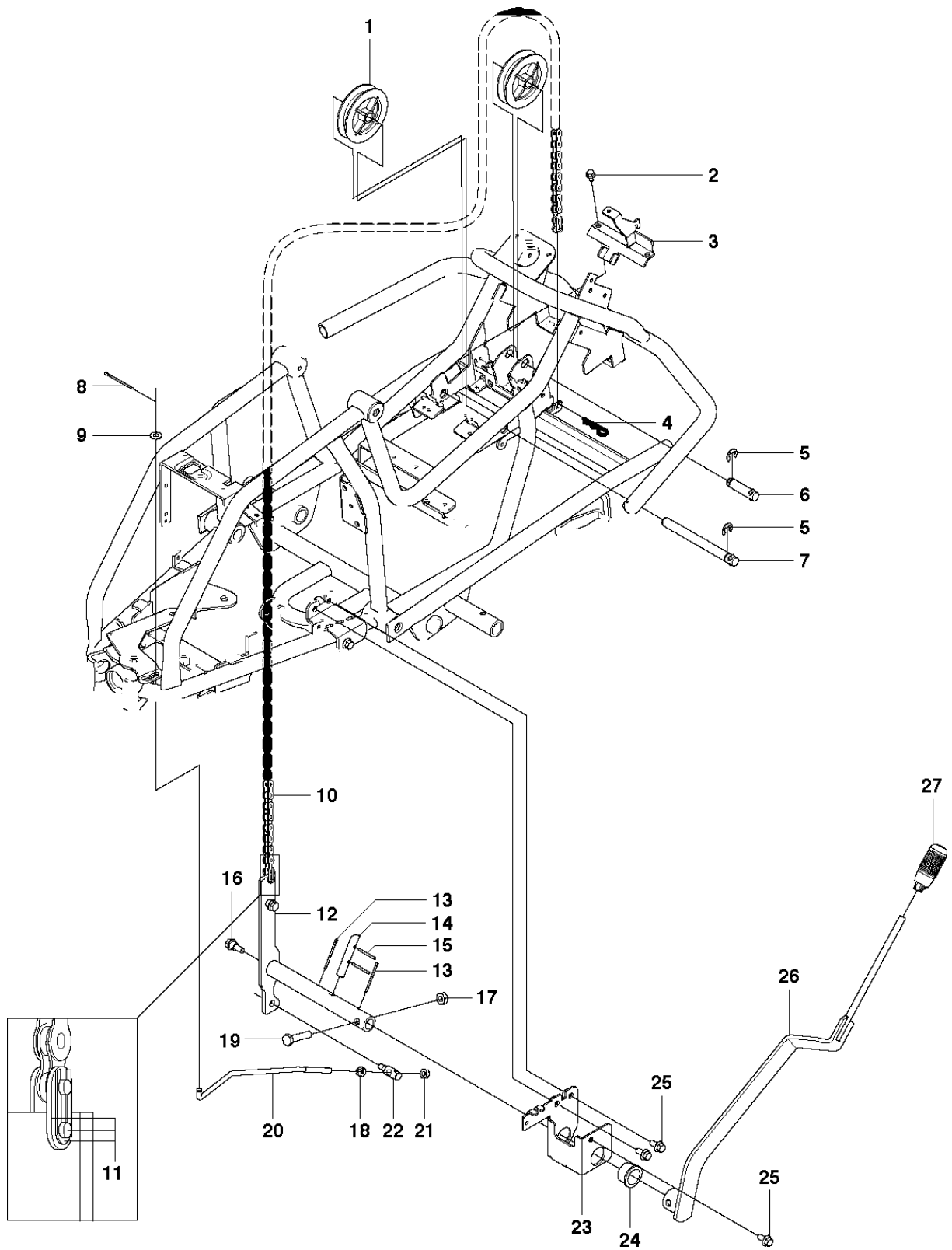
RIDER 111 B, 965996885, 2010-07

| Ref | Part No | Description | Remark | QTY KIT |
|-----|--------------|-------------------|--------|---------|
| 1 | 732 21 18-01 | LOCK NUT | | 5 |
| 2 | 725 24 57-51 | SCREW | | 4 |
| 3 | 735 21 64-00 | LOCKWASHER | | 1 |
| 4 | 575 79 52-01 | GASKET | | 1 |
| 5 | 722 79 26-09 | RIVET | | 4 |
| 6 | 522 60 34-01 | EXHAUST PIPE ASSY | | 1 |
| 7 | 506 57 01-04 | SCREW EHHFM | | 1 |
| 8 | 574 37 19-01 | ENGINE | | 1 |
| 9 | 734 11 64-01 | WASHER | | 3 |
| 10 | 734 11 64-41 | WASHER | | 1 |

STEERING

RIDER 111 B, 965996885, 2010-07

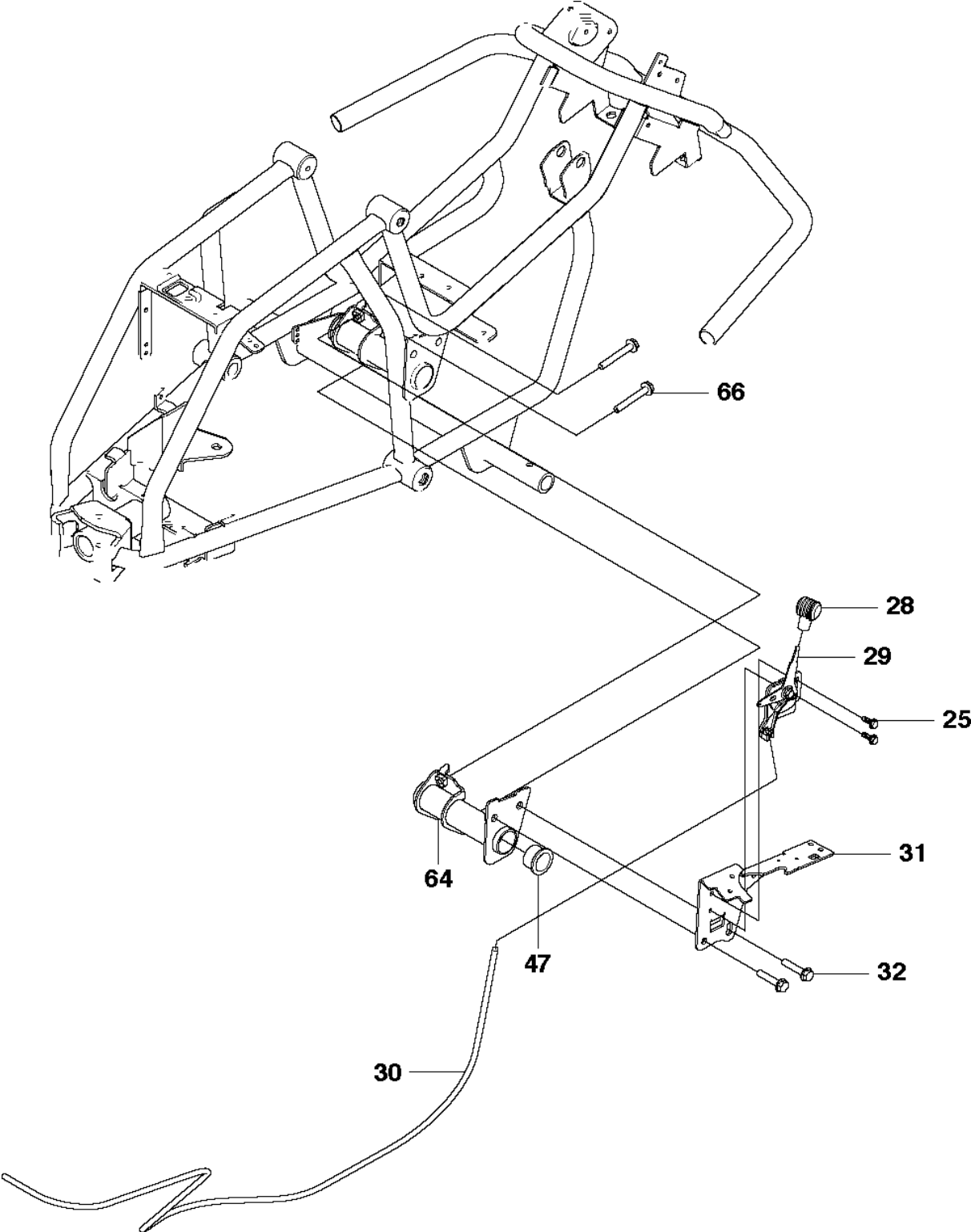
| Ref | Part No | Description | Remark | QTY KIT |
|-----|--------------|-----------------|--------|---------|
| 1 | 532 41 59-87 | KNOB | | 1 |
| 2 | 725 24 97-51 | SCREW | | 1 |
| 3 | 574 37 92-01 | WASHER | | 1 |
| 4 | 532 41 64-80 | STEERING WHEEL | | 1 |
| 5 | 525 39 80-01 | STEERING SYSTEM | | 1 |
| 6 | 721 43 47-01 | SPRING PIN | | 1 |
| 8 | 506 88 78-01 | SPACER | | 1 |
| 9 | 738 21 04-04 | BALL BEARING | | 1 |
| 10 | 525 51 34-01 | STEERING ROD | | 1 |
| 11 | 734 11 54-41 | WASHER | | 1 |
| 12 | 535 47 52-12 | SCREW EHHFM | | 1 |
| 13 | 575 58 58-01 | WHEEL | | 2 |
| 14 | 732 21 16-01 | LOCK NUT | | 2 |
| 15 | 506 50 08-02 | BUSHING | | 1 |
| 16 | 506 50 07-01 | BARRING WHEEL | | 1 |
| 17 | 738 22 04-19 | BALL BEARING | | 1 |
| 18 | 735 31 40-10 | CIRCLIP | | 1 |
| 19 | 506 50 09-02 | BARRING WHEEL | | 1 |
| 20 | 734 11 74-41 | WASHER | | 1 |
| 21 | 506 67 54-02 | SCREW EHHFM | | 1 |
| 22 | 506 58 91-01 | WIRE ASSY | | 2 |
| 23 | 731 23 20-51 | HEXAGON NUT | | 2 |
| 24 | 525 40 43-01 | GUIDE RAIL | | 1 |
| 25 | 506 55 47-01 | LINKAGE | | 2 |
| 25 | 725 23 68-61 | SCREW EHHFT | | 2 |
| 26 | 506 55 46-01 | CHAIN | | 1 |
| 26 | 732 21 20-51 | NUT | | 2 |



CONTROLS

RIDER 111 B, 965996885, 2010-07

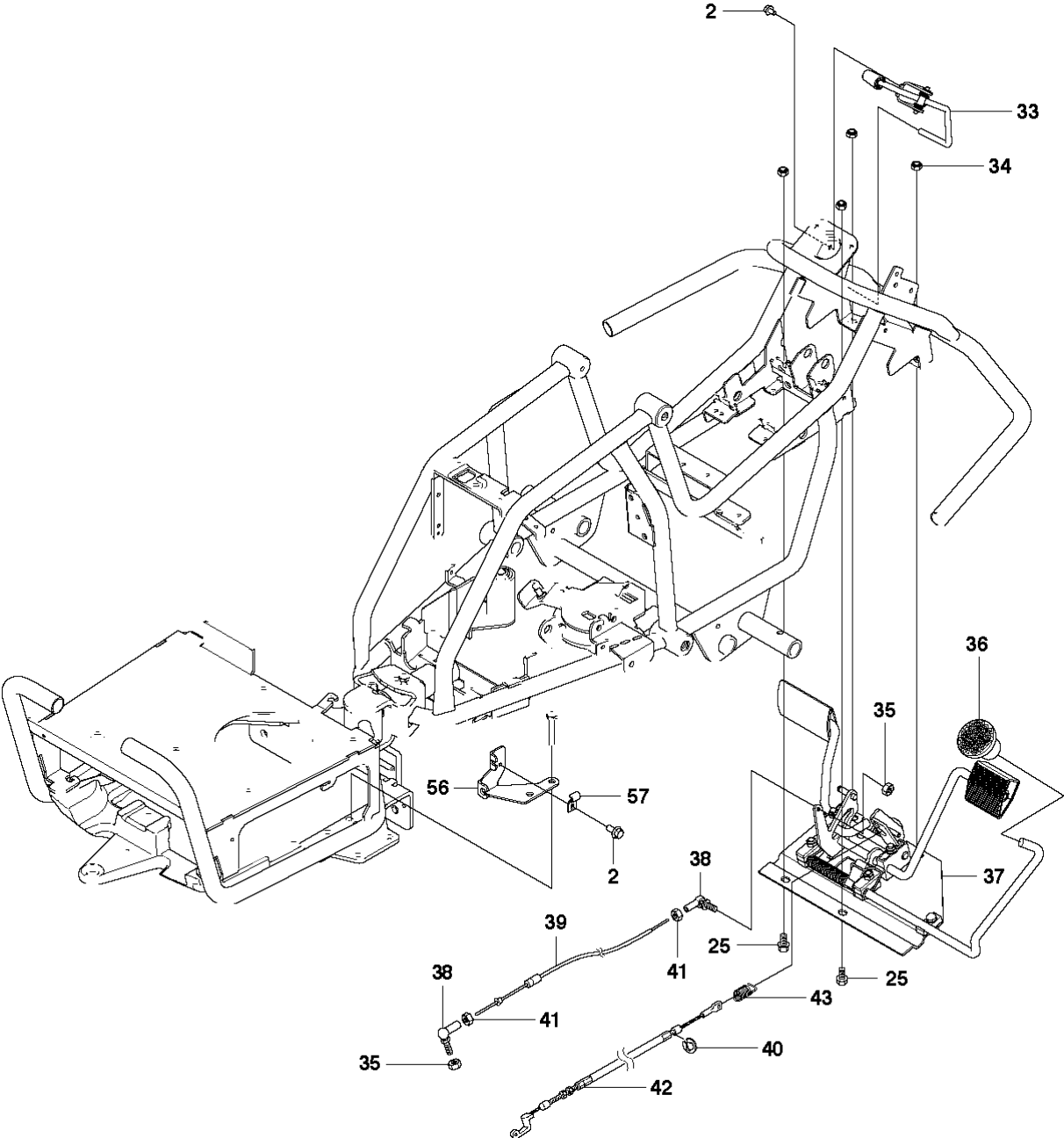
| Ref | Part No | Description | Remark | QTY KIT |
|-----|--------------|---------------|--------|---------|
| 1 | 506 90 56-01 | OFFSET PULLEY | | 2 |
| 2 | 725 23 64-61 | SCREW EHHFT | | 7 |
| 3 | 574 31 58-01 | BRACKET | | 1 |
| 4 | 721 68 02-51 | SPRING COTTER | | 1 |
| 5 | 735 31 18-20 | E-CLIP | | 2 |
| 6 | 525 40 45-01 | SHAFT | | 1 |
| 7 | 525 40 44-01 | SHAFT | | 1 |
| 8 | 721 61 83-01 | SPLIT PIN | | 1 |
| 9 | 734 11 64-01 | WASHER | | 2 |
| 10 | 506 55 46-11 | CHAIN | | 1 |
| 11 | 506 55 47-01 | LINKAGE | | 1 |
| 12 | 522 56 02-01 | LEVER ASSY | | 1 |
| 13 | 721 61 87-01 | SPLIT PIN | | 1 |
| 14 | 506 90 53-01 | PEN | | 1 |
| 15 | 721 12 59-30 | GROOVED PIN | | 1 |
| 16 | 506 59 74-01 | SCREW EHHFM | | 1 |
| 17 | 732 21 20-51 | NUT | | 1 |
| 18 | 731 23 18-01 | HEXAGON NUT | | 1 |
| 19 | 725 25 00-51 | SCREW EHHM | | 1 |
| 20 | 522 56 01-01 | ROD | | 1 |
| 21 | 732 21 18-01 | LOCK NUT | | 1 |
| 22 | 525 49 13-01 | JOINT | | 1 |
| 23 | 525 40 47-01 | BRACKET | | 1 |
| 24 | 506 55 65-01 | BEARING | | 1 |
| 25 | 506 57 01-03 | SCREW EHHFM | | 10 |
| 26 | 522 50 83-01 | LEVER | | 1 |
| 27 | 506 54 20-01 | HANDLE | | 1 |



CONTROLS

RIDER 111 B, 965996885, 2010-07

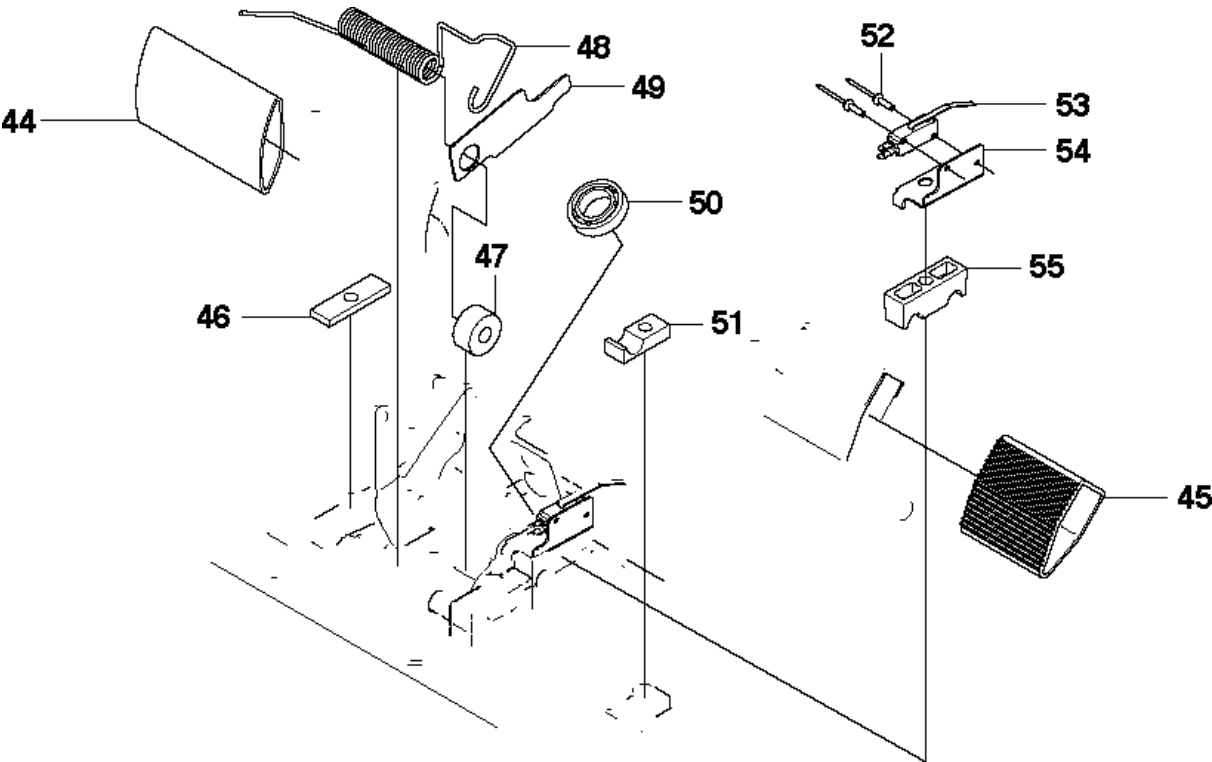
| Ref | Part No | Description | Remark | QTY KIT |
|-----|--------------|------------------|--------|---------|
| 25 | 506 57 01-03 | SCREW EHHFM | | 10 |
| 28 | 506 88 91-01 | KNOB | | 1 |
| 29 | 522 50 59-01 | THROTTLE CONTROL | | 1 |
| 30 | 544 30 17-04 | WIRE | | 1 |
| 31 | 575 24 03-01 | SHEET | | 1 |
| 32 | 506 57 01-04 | SCREW EHHFM | | 2 |
| 47 | 535 48 02-01 | ROLLER | | 1 |
| 64 | 574 36 97-01 | BRACKET | | 1 |
| 66 | 725 24 60-71 | SCREW EHHM | | 1 |



CONTROLS

RIDER 111 B, 965996885, 2010-07

| Ref | Part No | Description | Remark | QTY KIT |
|-----|--------------|----------------------|--------|---------|
| 2 | 725 23 64-61 | SCREW EHHFT | | 7 |
| 25 | 506 57 01-03 | SCREW EHHFM | | 10 |
| 33 | 523 34 60-01 | LOCKING LEVER | | 1 |
| 34 | 506 91 62-01 | NUT | | 4 |
| 35 | 731 23 14-01 | HEXAGON NUT | | 2 |
| 36 | 535 47 37-01 | KNOB | | 1 |
| 37 | 544 12 60-01 | PEDAL PLATE ASSY | | 1 |
| 38 | 506 55 73-01 | VINKELL.AS8 DIN71802 | | 2 |
| 39 | 574 41 11-05 | CONTROL CABLE | | 1 |
| 40 | 735 31 09-20 | E-CLIP | | 1 |
| 41 | 732 21 14-01 | LOCK NUT | | 2 |
| 42 | 574 40 76-01 | WIRE | | 1 |
| 43 | 575 35 52-01 | SPRING | | 1 |
| 56 | 522 82 31-01 | WIRE HOLDER | | 1 |
| 57 | 506 56 65-01 | CLIP | | 2 |



PEDALS

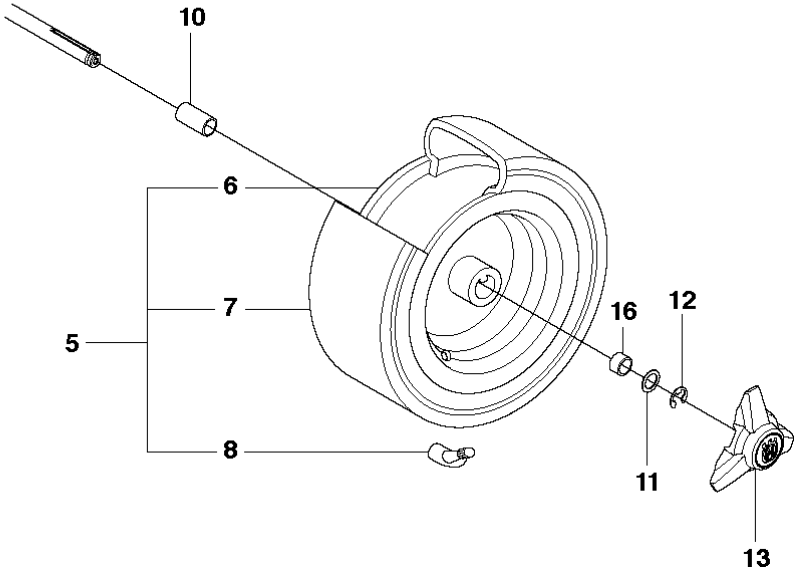
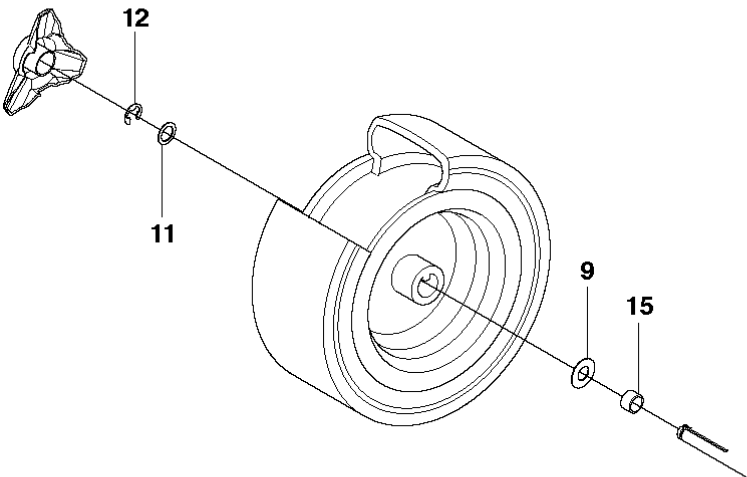
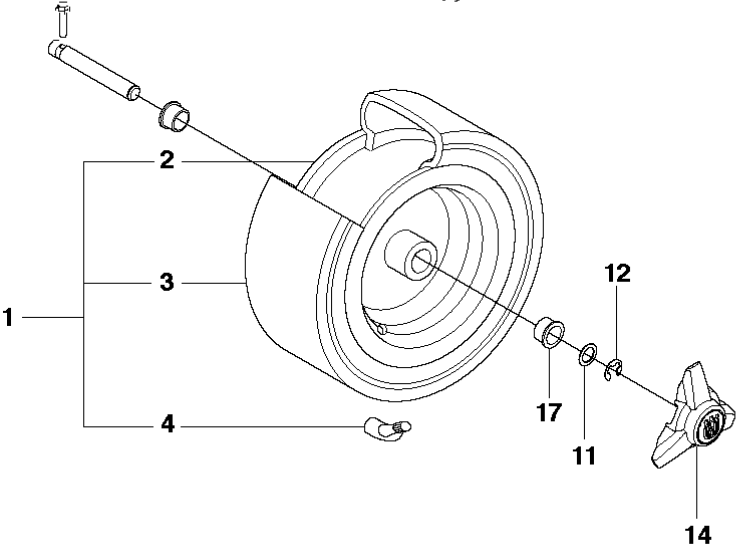
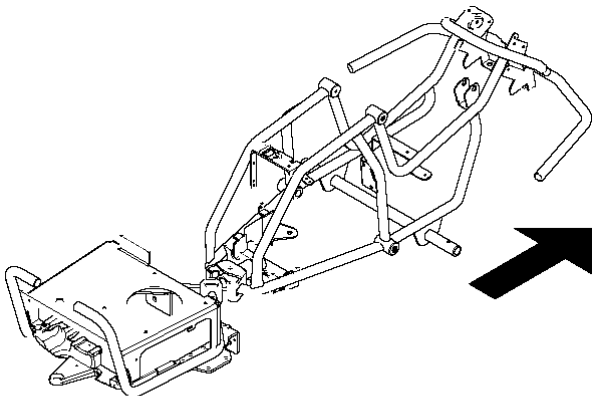
RIDER 111 B, 965996885, 2010-07

| Ref | Part No | Description | Remark | QTY KIT |
|-----|--------------|---------------------|--------|---------|
| 44 | 535 47 88-02 | PEDAL RUBBER | | 1 |
| 45 | 535 47 88-01 | PEDAL RUBBER | | 1 |
| 46 | 535 48 10-01 | REINFORCEMENT PLATE | | 3 |
| 47 | 535 48 02-01 | ROLLER | | 1 |
| 48 | 535 48 07-01 | SPRING | | 1 |
| 49 | 535 48 06-01 | PROTECTIVE PLATE | | 1 |
| 50 | 738 21 02-04 | BALL BEARING | | 1 |
| 51 | 535 48 09-01 | BEARING SUPPORT | | 5 |
| 52 | 544 44 07-01 | RIVET | | 2 |
| 53 | 574 31 61-01 | SWITCH | | 1 |
| 54 | 544 41 57-01 | BRACKET | | 1 |
| 55 | 535 48 08-01 | BEARING SUPPORT | | 4 |

ELECTRICAL

RIDER 111 B, 965996885, 2010-07

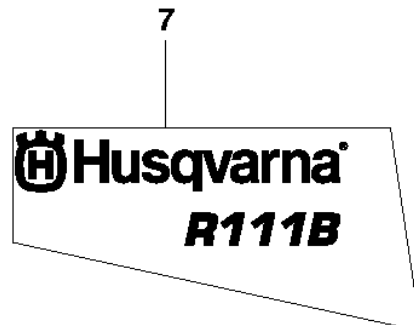
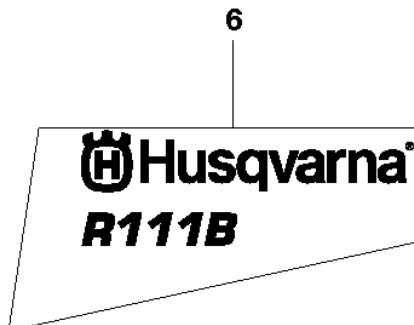
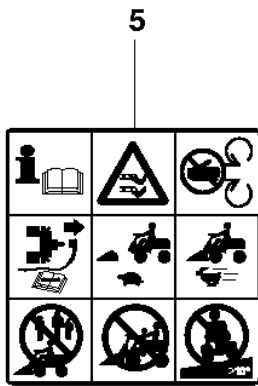
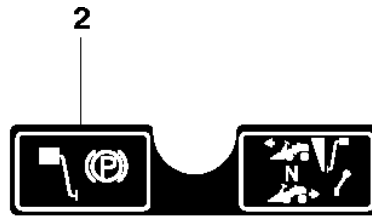
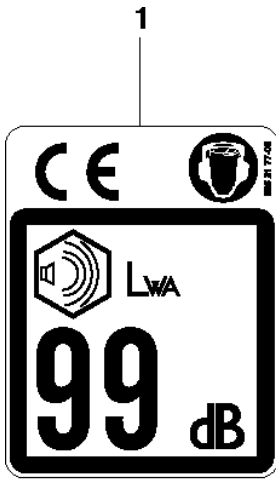
| Ref | Part No | Description | Remark | QTY | KIT |
|-----|--------------|-----------------|--------|-----|-----|
| 1 | 574 26 97-01 | WIRING | | 1 | |
| 3 | 574 26 98-01 | CABLE | | 1 | |
| 4 | 574 26 96-01 | WIRING | | 1 | |
| 5 | 574 26 95-01 | WIRING | | 1 | |
| 7 | 510 13 85-01 | BATTERY | | 1 | |
| 8 | 522 62 21-01 | SCREW EHHM | | 2 | |
| 10 | 522 62 43-01 | NUT | | 2 | |
| 11 | 544 43 98-01 | RELAY | | 1 | |
| 13 | 725 23 64-61 | SCREW EHHFT | | 1 | |
| 14 | 725 24 60-51 | SCREW EHHM | | 1 | |
| 16 | 506 90 99-02 | SPACING TUBE | | 1 | |
| 17 | 506 90 97-01 | SPRING WASHER | | 1 | |
| 18 | 544 44 12-01 | SPRING | | 1 | |
| 19 | 506 90 96-01 | SWITCH | | 1 | |
| 20 | 544 44 07-01 | RIVET | | 2 | |
| 21 | 574 31 61-01 | SWITCH | | 1 | |
| 22 | 544 41 57-01 | BRACKET | | 1 | |
| 23 | 544 44 07-01 | RIVET | | 2 | |
| 24 | 574 31 61-01 | SWITCH | | 1 | |
| 25 | 544 44 24-01 | IGNITION KEY | | 1 | |
| 26 | 544 44 23-01 | NUT | | 1 | 28 |
| 28 | 544 44 21-01 | IGNITION SWITCH | | 1 | 28 |
| 29 | 722 79 54-02 | RIVET | | 1 | |
| 30 | 575 26 99-01 | CABLE CLAMP | | 1 | |
| 31 | 506 89 98-01 | NUT | | 3 | |



WHEELS & TIRES

RIDER 111 B, 965996885, 2010-07

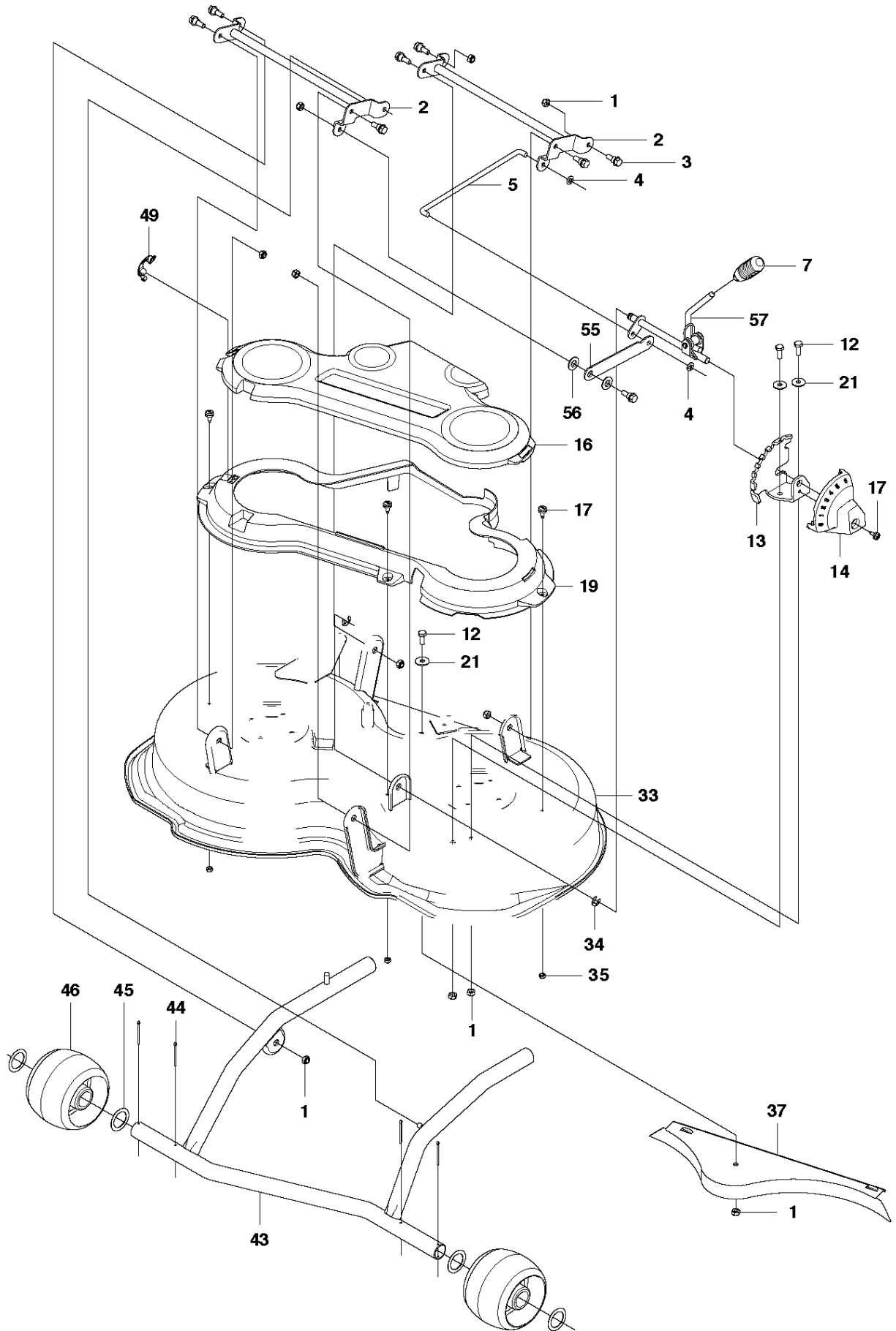
| Ref | Part No | Description | Remark | QTY KIT |
|-----|--------------|----------------|--------|---------|
| 1 | 525 58 47-01 | WHEEL | | 2 |
| 2 | 573 98 16-01 | RIM | | 1 |
| 3 | 573 98 14-01 | TYRE | | 1 |
| 4 | 523 03 47-01 | VALVE | | 1 |
| 5 | 525 58 49-01 | WHEEL | | 2 |
| 6 | 573 98 15-01 | RIM | | 1 |
| 7 | 573 98 14-01 | TYRE | | 1 |
| 8 | 523 03 47-01 | VALVE | | 1 |
| 9 | 506 50 48-05 | WASHER | | 4 |
| 10 | 506 59 62-10 | SPACING SLEEVE | | 1 |
| 11 | 506 50 48-03 | WASHER | | 2 |
| 12 | 506 89 90-01 | E-CLIP | | 4 |
| 13 | 544 35 35-01 | HUB CAP | | 2 |
| 14 | 544 35 35-03 | HUB CAP | | 2 |
| 15 | 506 59 62-09 | SPACING SLEEVE | | 1 |
| 16 | 575 29 27-01 | SPACING SLEEVE | | 1 |
| 17 | 574 67 17-01 | BEARING | | 2 |



DECALS

RIDER 111 B, 965996885, 2010-07

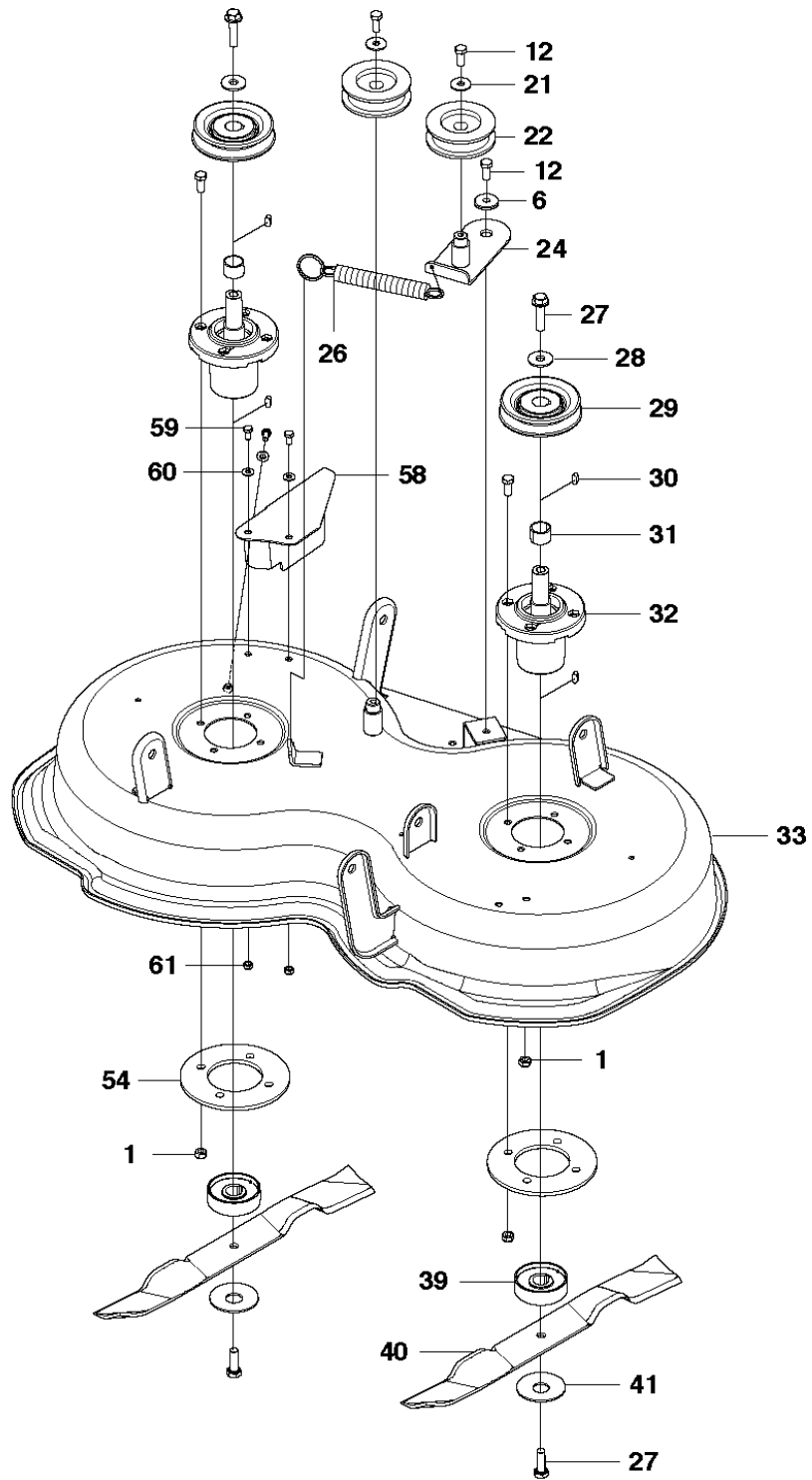
| Ref | Part No | Description | Remark | QTY KIT |
|-----|--------------|-------------|--------|---------|
| 1 | 505 21 77-05 | LABEL | | 1 |
| 2 | 574 85 46-01 | DECAL | | 1 |
| 3 | 575 22 27-01 | DECAL | | 1 |
| 4 | 574 38 21-01 | DECAL | | 1 |
| 5 | 574 85 48-01 | DECAL | | 1 |
| 6 | 575 25 30-02 | DECAL | | 1 |
| 7 | 575 25 30-01 | DECAL | | 1 |



MOWER DECK / CUTTING DECK

RIDER 111 B, 965996885, 2010-07

| Ref | Part No | Description | Remark | QTY | KIT |
|-----|--------------|-----------------|--------|-----|------|
| 1 | 732 21 18-01 | LOCK NUT | | 16 | |
| 2 | 522 45 09-01 | CROSS BAR | | 2 | |
| 3 | 506 59 74-01 | SCREW EHHFM | | 8 | |
| 4 | 735 58 52-00 | WASHER | | 2 | |
| 5 | 522 60 23-01 | ROD | | 1 | |
| 7 | 574 32 88-01 | HANDLE | | 1 | |
| 12 | 725 24 53-71 | SCREW EHHM | | 15 | |
| 13 | 522 52 32-01 | BRACKET | | 1 | |
| 14 | 573 97 18-01 | COVER | | 1 | |
| 16 | 574 17 21-01 | COVER | | 1 | |
| 17 | 506 67 54-02 | SCREW EHHFM | | 4 | |
| 19 | 574 17 20-01 | COVER | | 1 | |
| 21 | 506 91 87-02 | WASHER | | 5 | |
| 33 | 586 14 70-01 | CUTTING DECK | | 1 | Assy |
| 34 | 735 31 15-20 | E-CLIP | | 2 | |
| 35 | 732 21 16-01 | LOCK NUT | | 3 | |
| 37 | 574 04 17-01 | PLUG | | 1 | |
| 43 | 522 45 19-01 | EQUIPMENT FRAME | | 1 | |
| 44 | 721 61 87-01 | SPLIT PIN | | 4 | |
| 45 | 574 26 45-01 | WASHER | | 4 | |
| 46 | 522 73 59-01 | WHEEL | | 2 | |
| 49 | 503 89 47-01 | SNAP LOCKING | | 1 | |
| 55 | 525 85 57-01 | ARM | | 1 | |
| 56 | 734 11 65-41 | WASHER | | 2 | |
| 57 | 575 80 21-01 | LEVER ASSY | | 1 | |



20

BioClip® 85

23



MOWER DECK / CUTTING DECK

RIDER 111 B, 965996885, 2010-07

| Ref | Part No | Description | Remark | QTY KIT |
|-----|--------------|----------------------|--------|---------|
| 1 | 732 21 18-01 | LOCK NUT | | 16 |
| 6 | 506 91 87-02 | WASHER | | 1 |
| 12 | 725 24 53-71 | SCREW EHHM | | 15 |
| 20 | 574 84 97-01 | DECAL | | 1 |
| 21 | 506 91 87-02 | WASHER | | 5 |
| 22 | 506 79 32-02 | BELT TENSIONER WHEEL | | 2 |
| 23 | 574 51 00-01 | DECAL | | 2 |
| 24 | 573 96 95-01 | BELT TENSIONER | | 1 |
| 26 | 584 29 88-01 | SPRING | | 1 |
| 27 | 506 67 54-02 | SCREW EHHFM | | 4 |
| 28 | 734 11 77-71 | WASHER | | 2 |
| 29 | 574 46 07-01 | PULLEY | | 2 |
| 30 | 506 53 35-01 | PARALLEL KEY | | 4 |
| 31 | 573 96 65-01 | TUBE | | 2 |
| 32 | 573 96 86-01 | BEARING HOUSING ASSY | | 2 |
| 33 | 522 45 00-01 | CUTTING DECK | | 1 |
| 39 | 573 96 61-01 | ADAPTER | | 2 |
| 40 | 581 08 35-01 | BLADE | | 2 |
| 41 | 506 79 23-01 | KNIFE PLATE | | 2 |
| 54 | 575 55 33-01 | WASHER | | 2 |
| 58 | 576 20 90-01 | SHEET | | 1 |
| 59 | 725 23 66-71 | SCREW EHHM | | 3 |
| 60 | 734 11 56-01 | WASHER | | 3 |
| 61 | 732 21 16-01 | LOCK NUT | | 3 |