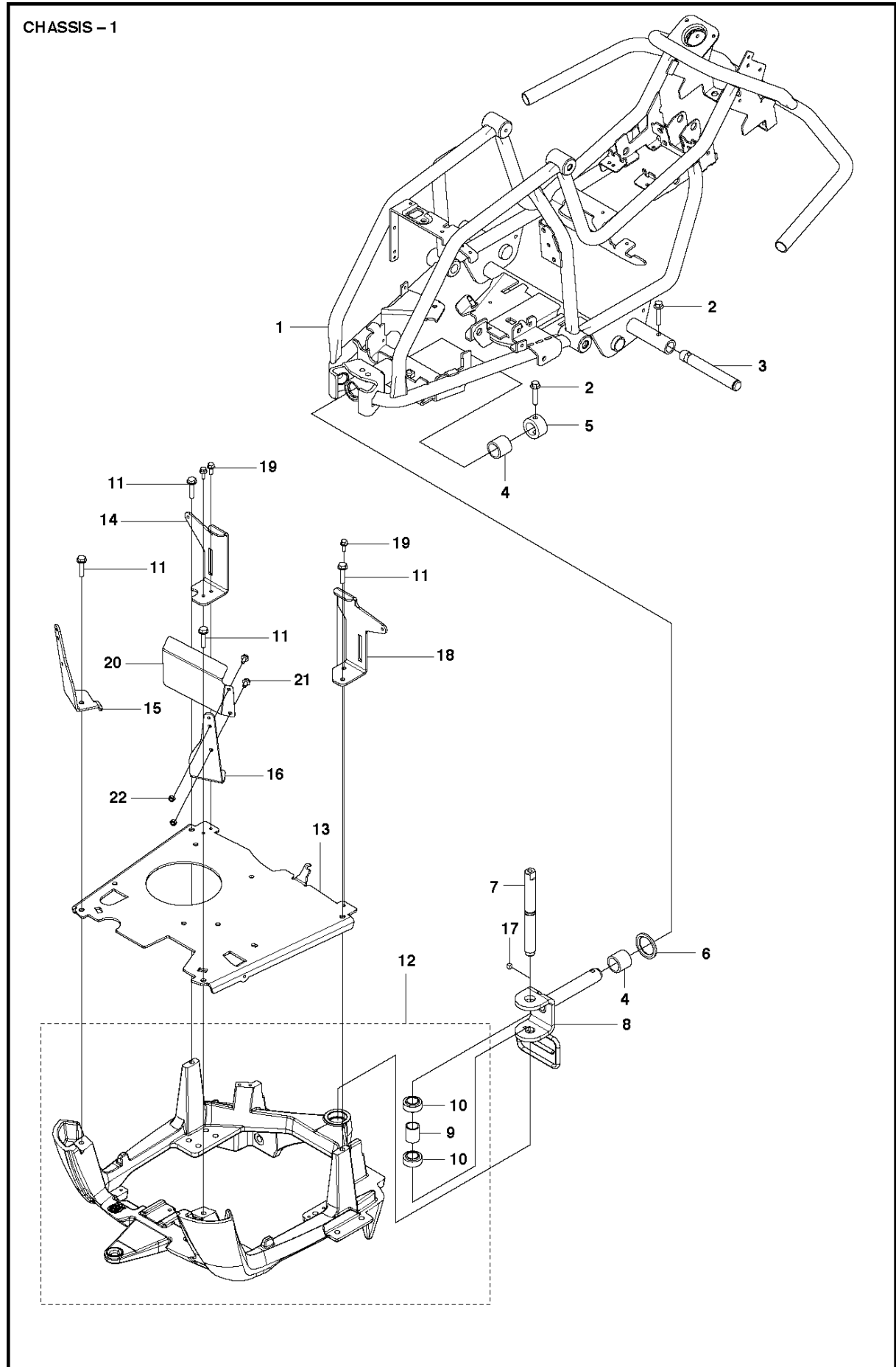




SPARE PARTS LIST

RIDERS

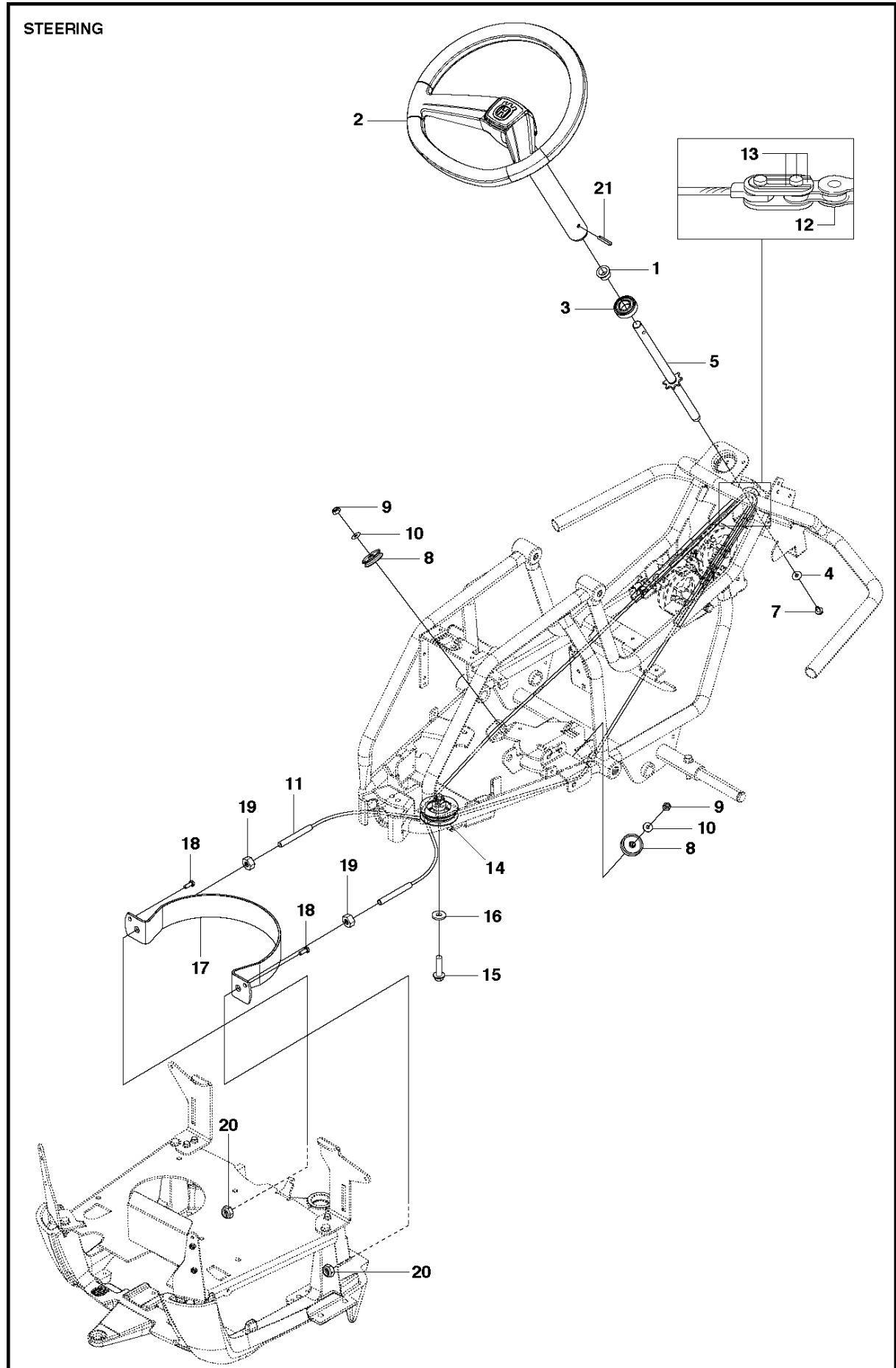
R112 C5



CHASSIS REAR

R112 C5

Ref	Part No	Description	Remark	QTY KIT
1	581 27 41-01	FRAME		1
2	725 24 59-61	SCREW EHHFT		3
3	535 47 08-02	WHEEL AXLE		2
4	506 98 61-01	GLIDLAGER		2
5	522 42 52-01	STOP SLEEVE		1
6	522 42 53-01	SPACER		1
7	579 72 04-01	SHAFT		1
8	580 26 74-01	SWING AXLE		1
9	522 42 45-01	SLEEVE		1
10	574 36 85-01	BEARING		2
11	506 57 01-06	SCREW EHHFM		4
12	590 26 82-01	FRAME ASSY		1
13	581 55 09-01	BRACKET		1
14	581 61 35-01	BRACKET		1
15	581 61 36-01	BRACKET		1
16	581 61 36-02	BRACKET		1
17	577 70 89-01	KEY		1
18	584 89 92-01	BRACKET		1
19	725 23 68-61	SCREW EHHFT		3
20	585 02 26-01	HEAT SHIELD		1
21	535 47 52-12	SCREW EHHFM		2
22	732 21 16-01	LOCK NUT		2

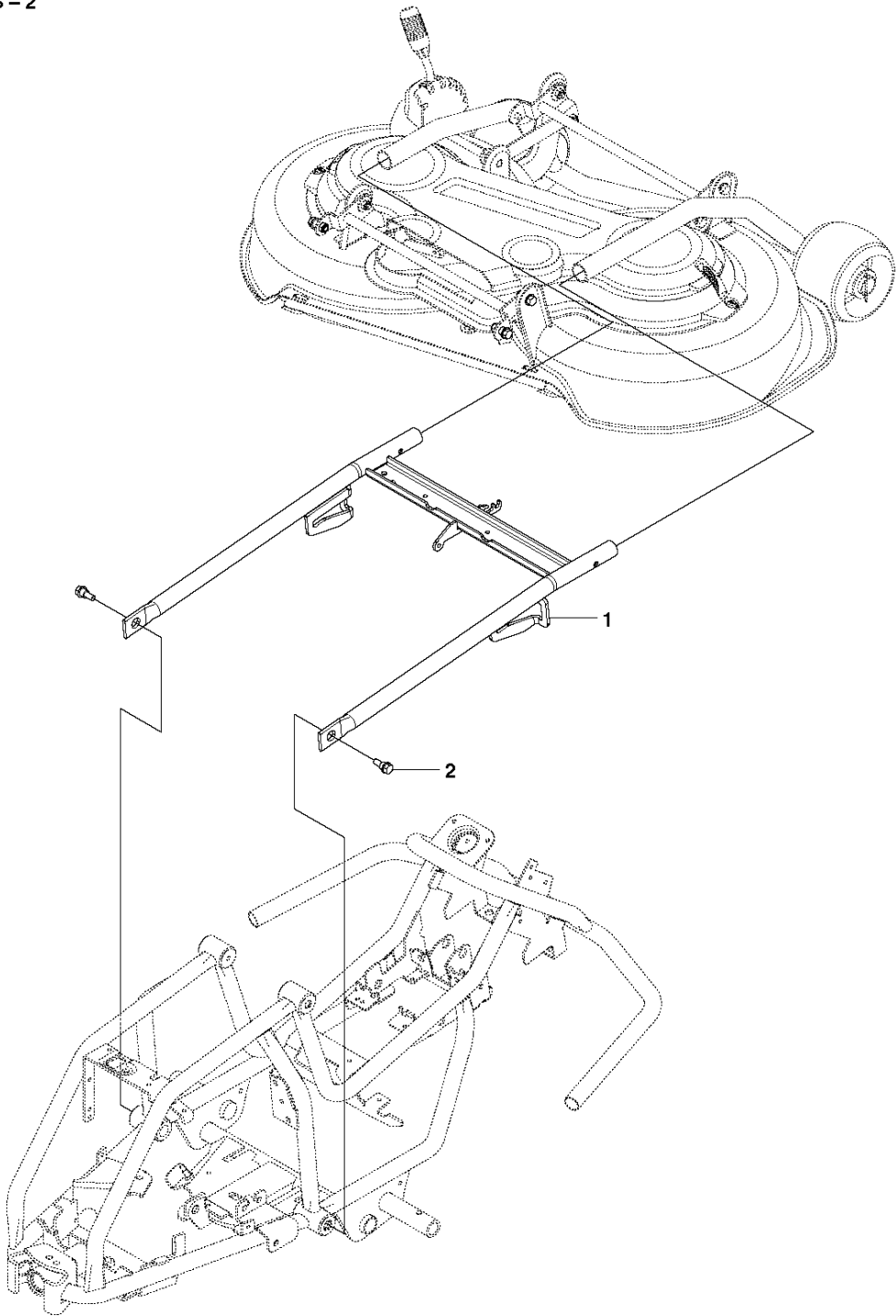


STEERING

R112 C5

Ref	Part No	Description	Remark	QTY KIT
1	506 88 78-01	SPACER		1
2	594 03 37-01	STEERING SYSTEM		1
3	738 21 04-04	BALL BEARING		1
4	734 11 54-41	WASHER		1
5	581 56 67-01	STEERING ROD		1
7	535 47 52-12	SCREW EHHFM		1
8	581 15 82-01	PULLEY		2
9	732 21 18-01	LOCK NUT		2
10	734 11 64-01	WASHER		2
11	577 19 99-01	WIRE ASSY		2
12	506 55 46-01	CHAIN		1
13	506 55 47-01	LINKAGE		2
14	576 49 25-02	PULLEY		1
15	506 67 54-02	SCREW EHHFM		1
16	734 11 74-41	WASHER		1
17	525 40 43-01	GUIDE RAIL		1
18	725 23 68-61	SCREW EHHFT		2
19	731 23 20-51	HEXAGON NUT		2
20	732 21 20-51	NUT		2
21	721 43 47-01	SPRING PIN		1

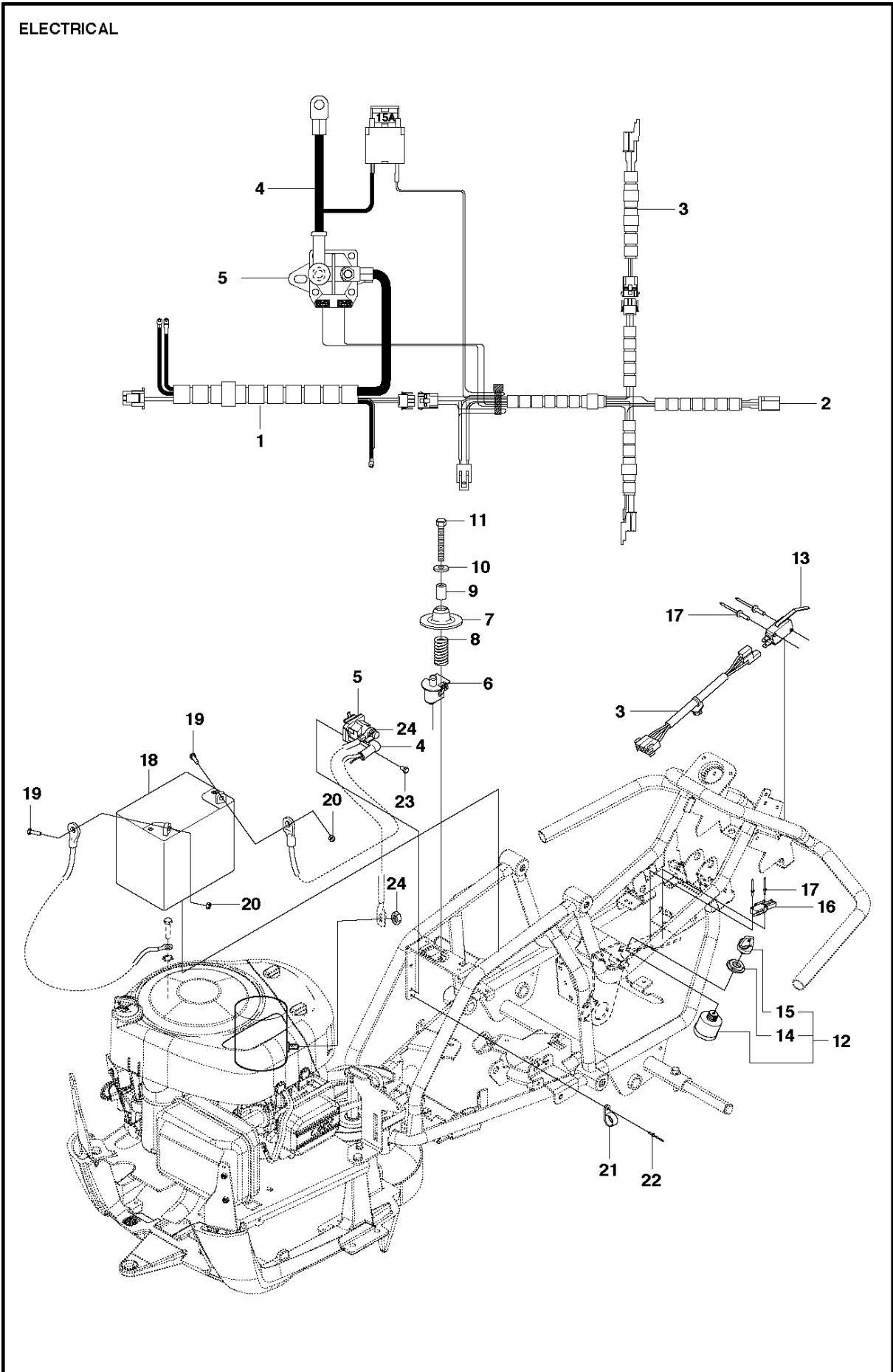
CHASSIS - 2



CHASSIS REAR

R112 C5

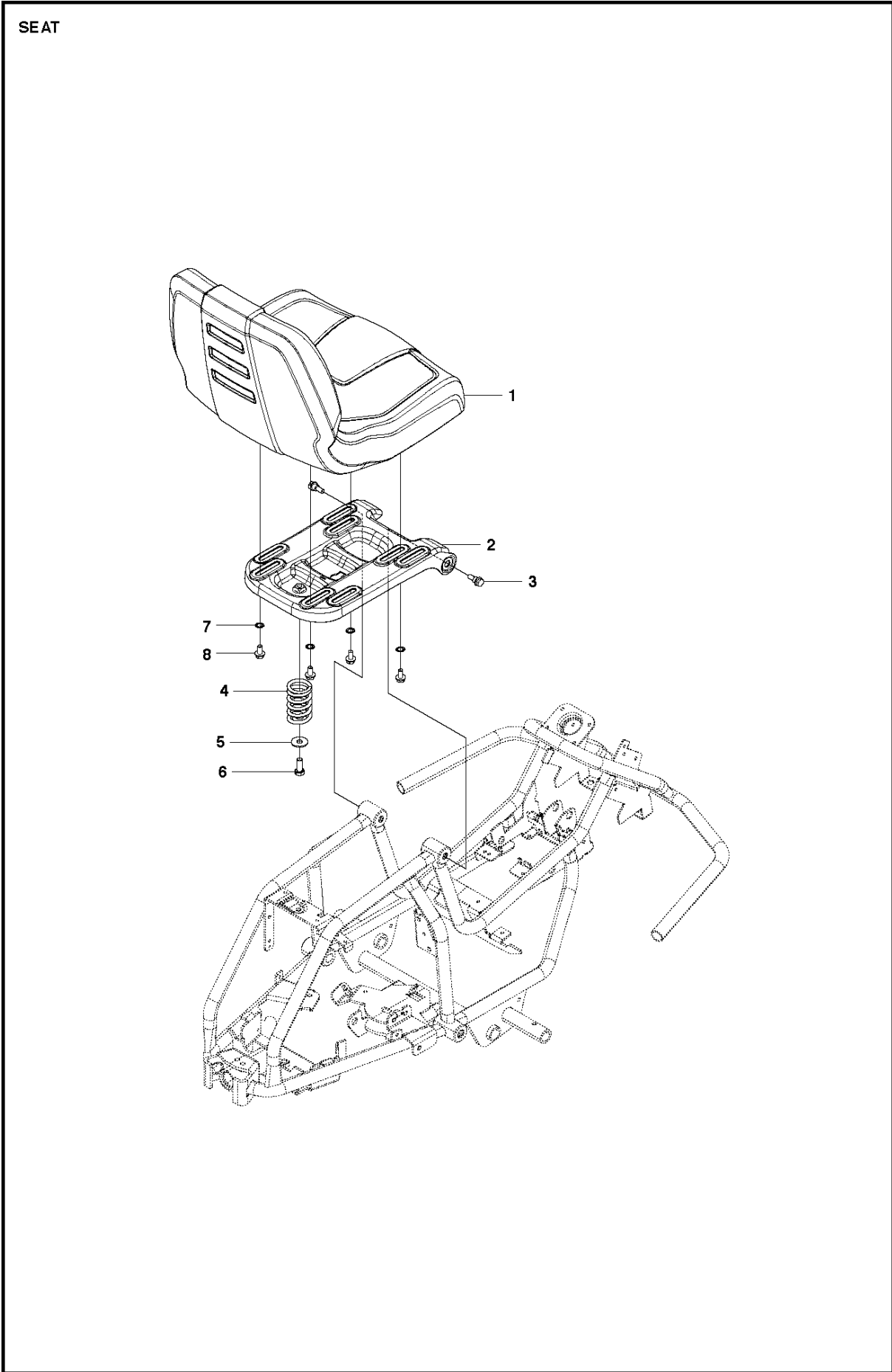
Ref	Part No	Description	Remark	QTY KIT
1	584 83 30-02	EQUIPMENT FRAME		1
2	506 89 58-01	COLLAR SCREW		2



ELECTRICAL

R112 C5

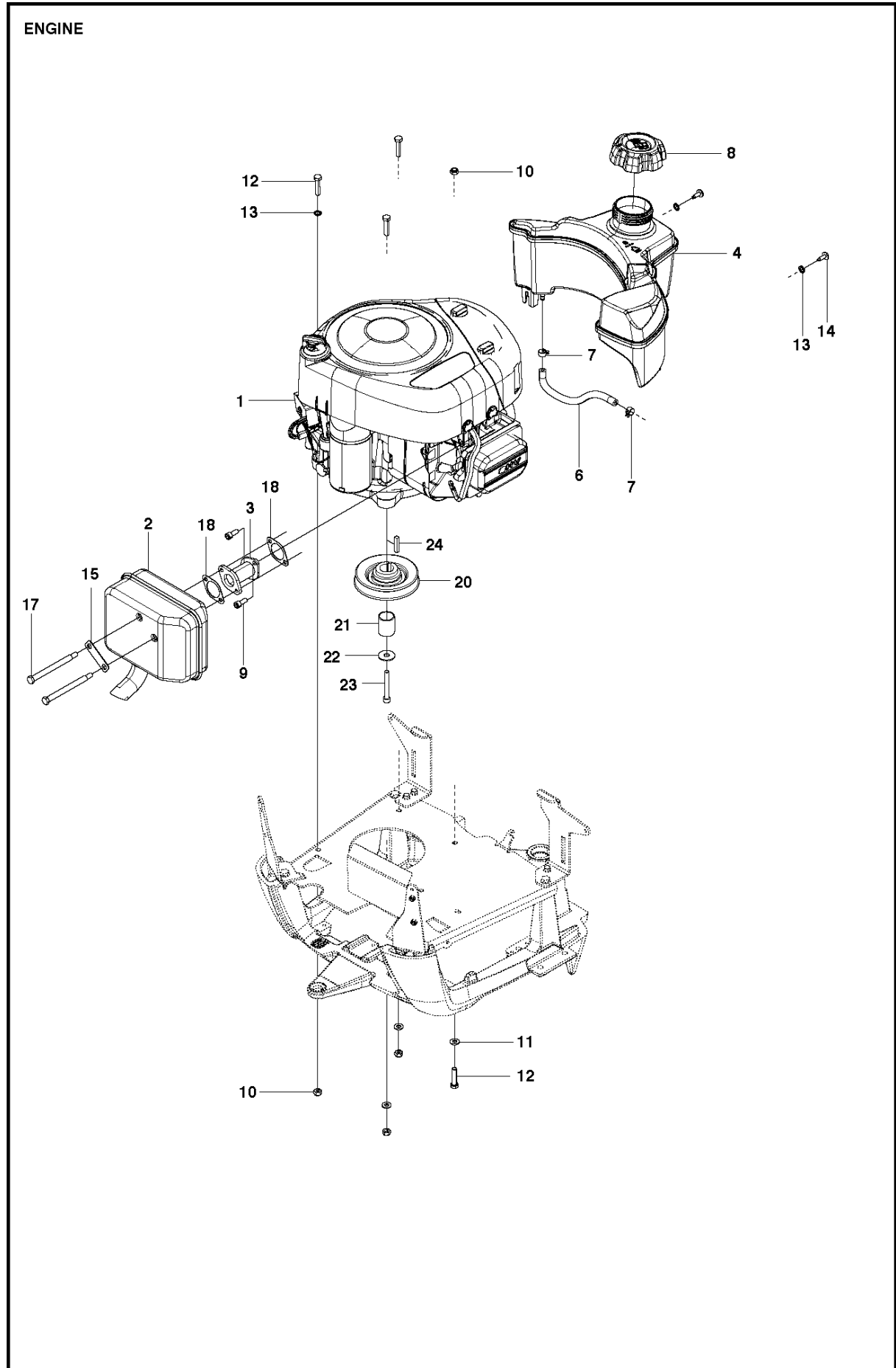
Ref	Part No	Description	Remark	QTY KIT
1	581 97 24-01	WIRING		1
2	574 26 95-01	WIRING		1
3	574 26 96-01	WIRING		1
4	574 26 98-01	CABLE		1
5	544 43 98-01	RELAY		1
6	506 90 96-01	SWITCH		1
7	506 90 97-01	SPRING WASHER		1
8	544 44 12-01	SPRING		1
9	506 90 99-02	SPACING TUBE		1
10	734 11 64-01	WASHER		1
11	725 24 60-51	SCREW EHHM		1
12	544 44 21-01	IGNITION SWITCH		1
13	544 41 59-01	SWITCH		1
14	544 44 23-01	NUT		1
15	544 44 24-01	IGNITION KEY		1
16	574 31 61-01	SWITCH		1
17	544 44 07-01	RIVET		2
18	574 39 72-01	BATTERY		1
19	522 62 21-01	SCREW EHHM		2
20	522 62 43-01	NUT		2
21	575 26 99-01	CABLE CLAMP		1
22	722 79 54-02	RIVET		1
23	725 23 64-61	SCREW EHHFT		1
24	506 89 98-01	NUT		3



SEAT

R112 C5

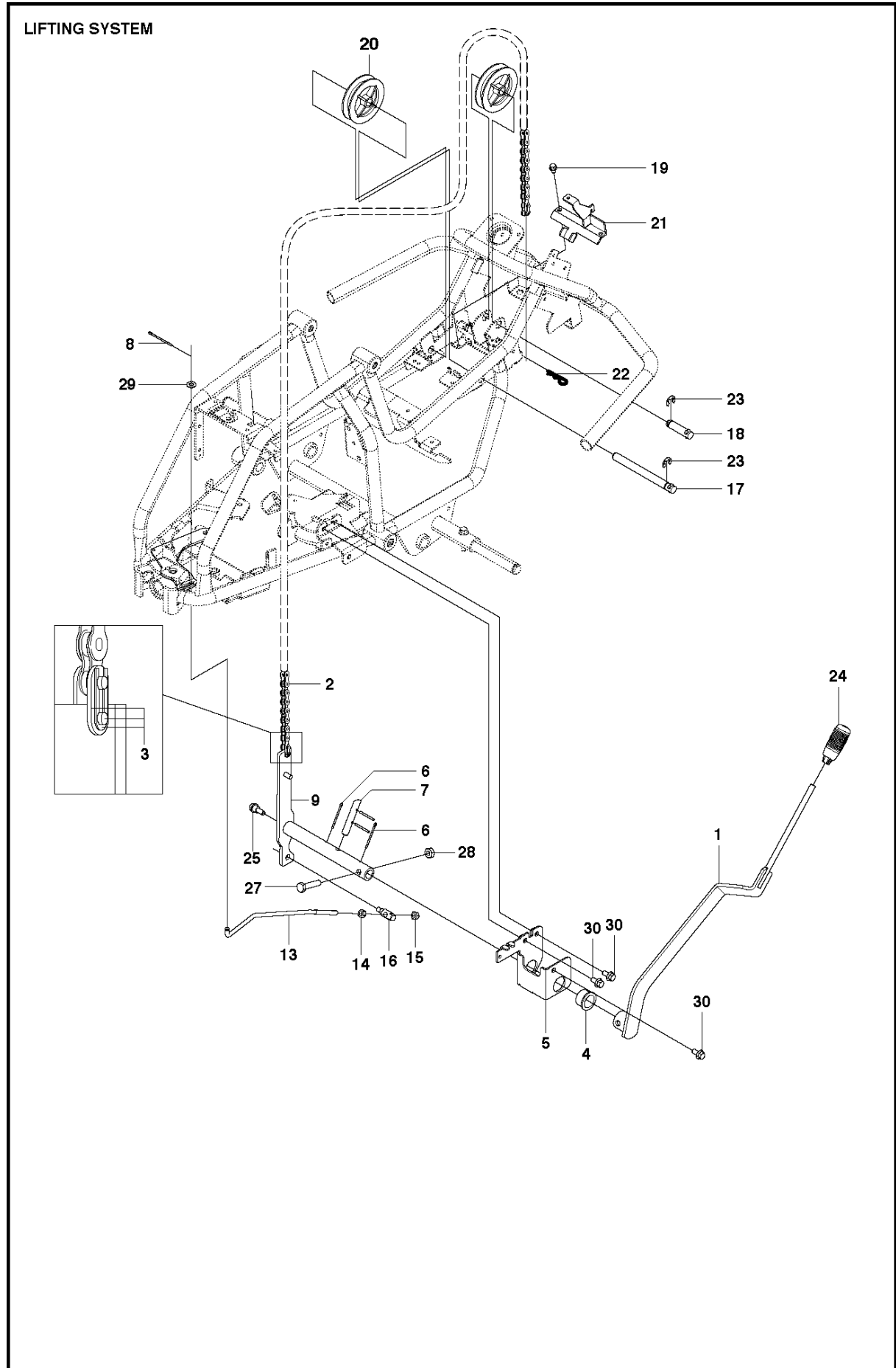
Ref	Part No	Description	Remark	QTY KIT
1	525 81 48-01	SEAT		1
2	581 04 15-01	SEAT BRACKET		1
3	506 59 74-01	SCREW EHHFM		2
4	506 91 53-01	COMPRESSION SPRING		1
5	734 11 74-41	WASHER		1
6	725 24 93-71	SCREW EHHM		1
7	735 21 64-00	LOCKWASHER		4
8	506 57 01-03	SCREW EHHFM		4



ENGINE

R112 C5

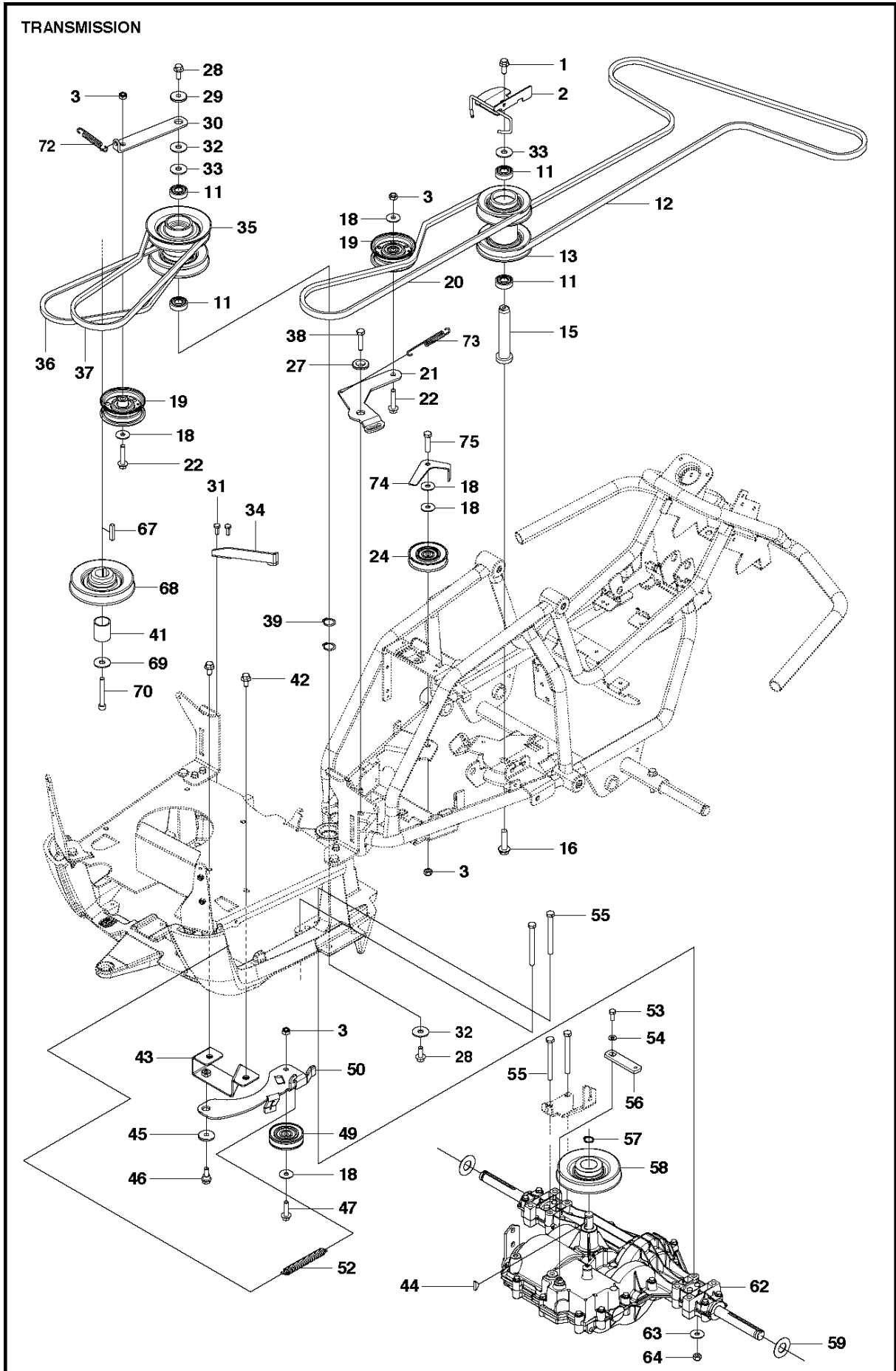
Ref	Part No	Description	Remark	QTY KIT
1	584 87 24-01	ENGINE		1
2	584 24 43-01	MUFFLER ASSY		1
3	584 80 51-01	MANIFOLD		1
4	581 61 43-01	FUEL TANK		1
6	504 80 00-15	FUEL HOSE		1
7	535 46 97-01	HOSE BRACE		2
8	532 43 96-45	FUEL CAP		1
9	506 55 63-01	SCREW UNC		2
10	732 21 18-01	LOCK NUT		4
11	734 11 64-01	WASHER		3
12	725 24 57-51	SCREW		4
13	735 21 64-00	LOCKWASHER		3
14	544 40 04-01	SCREW		2
15	578 25 93-01	WASHER		3
17	578 25 91-01	COLLAR SCREW		2
18	506 91 45-01	GASKET		2
20	522 82 76-01	PULLEY		1
21	574 41 20-01	TUBE		1
22	506 59 75-01	WASHER		1
23	506 55 60-02	SCREW UNC		1
24	506 55 59-02	WEDGE		1



MOWER LIFT / DECK LIFT

R112 C5

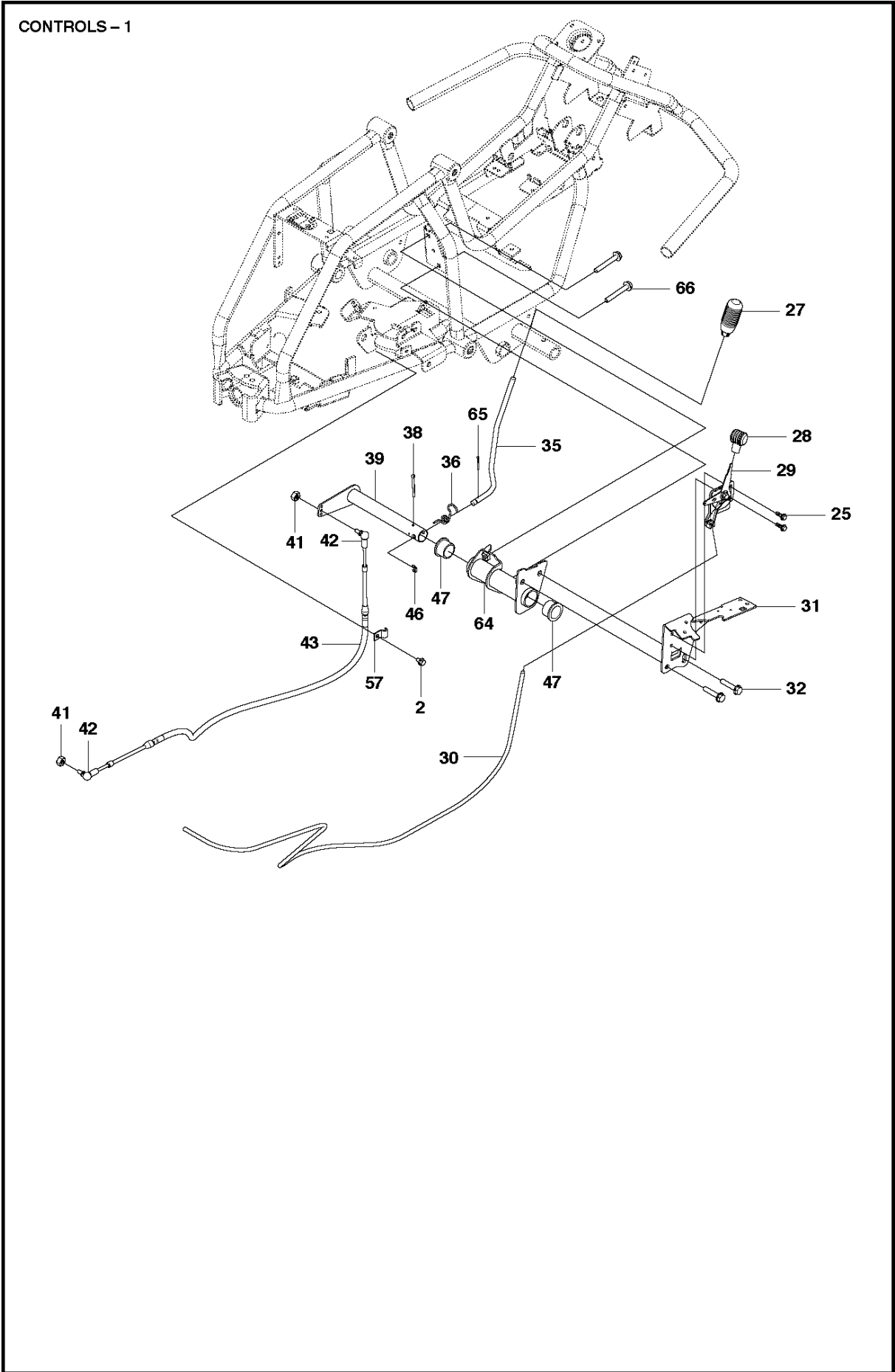
Ref	Part No	Description	Remark	QTY KIT
1	580 38 90-01	LEVER ASSY		1
2	506 55 46-11	CHAIN		1
3	506 55 47-01	LINKAGE		1
4	506 55 65-01	BEARING		1
5	525 40 47-01	BRACKET		1
6	721 61 87-01	SPLIT PIN		1
7	525 40 66-01	PEN		1
8	721 61 83-01	SPLIT PIN		2
9	522 56 02-02	LEVER ASSY		1
13	522 56 01-01	ROD		1
14	731 23 18-01	HEXAGON NUT		1
15	732 21 18-01	LOCK NUT		1
16	525 49 13-01	JOINT		1
17	525 40 44-01	SHAFT		1
18	525 40 45-01	SHAFT		1
19	725 23 64-61	SCREW EHHFT		2
20	506 90 56-01	OFFSET PULLEY		2
21	574 31 58-01	BRACKET		1
22	721 68 02-51	SPRING COTTER		1
23	735 31 18-20	E-CLIP		2
24	506 54 20-01	HANDLE		1
25	506 59 74-01	SCREW EHHFM		1
27	725 25 00-51	SCREW EHHM		1
28	732 21 20-51	NUT		1
29	734 11 64-01	WASHER		1
30	506 57 01-03	SCREW EHHFM		3



TRANSMISSION

R112 C5

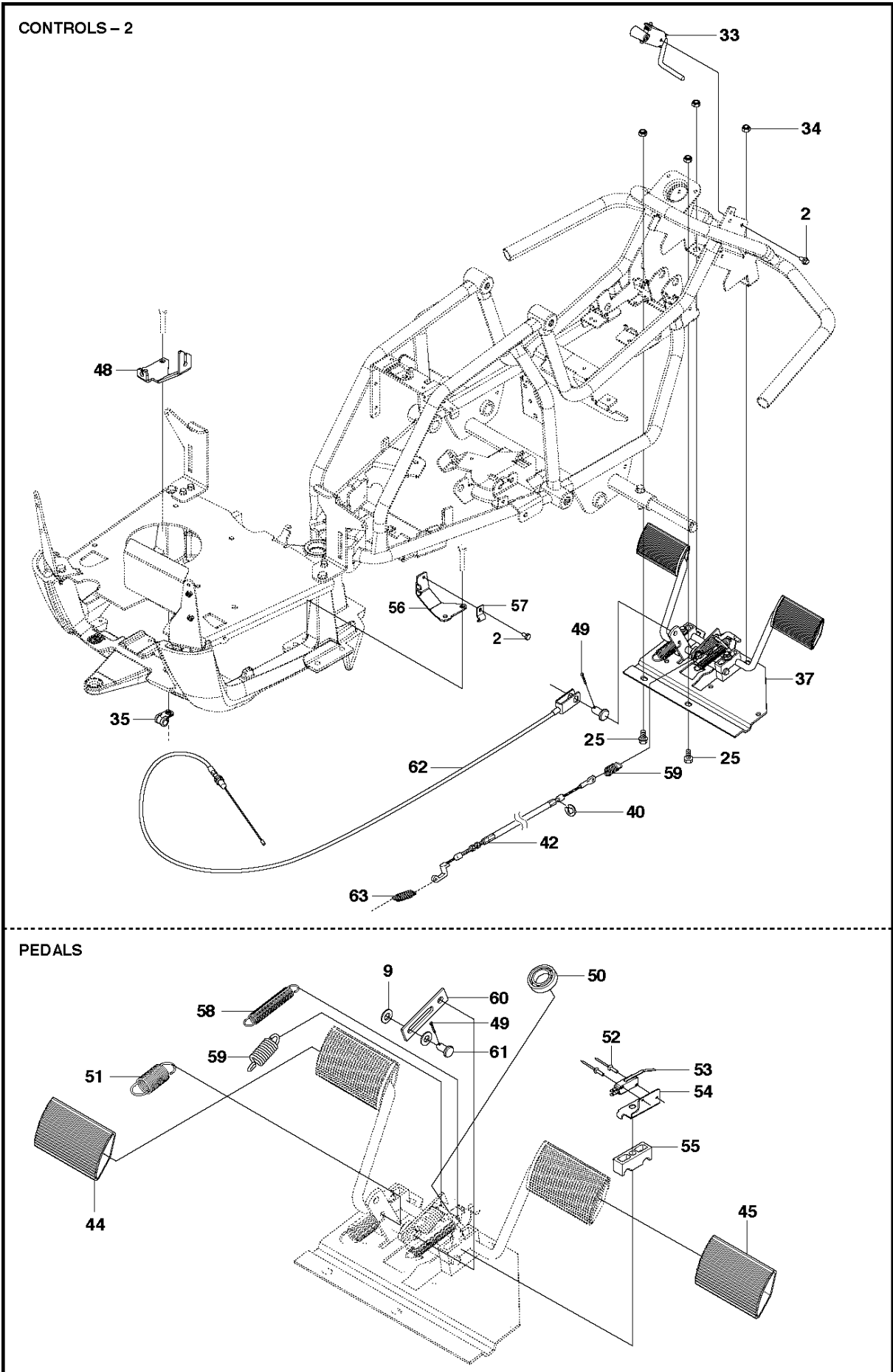
Ref	Part No	Description	Remark	QTY KIT
1	506 57 01-03	SCREW EHHFM		2
2	577 59 21-01	BRACKET		1
3	732 21 18-01	LOCK NUT		4
11	738 21 04-04	BALL BEARING		4
12	589 53 14-01	BELT		1
13	574 25 95-01	PULLEY		1
15	574 25 98-01	SHAFT		1
16	506 67 54-02	SCREW EHHFM		1
18	734 11 64-41	WASHER		5
19	539 91 90-78	PULLEY		3
20	589 53 28-01	BELT		1
21	522 60 29-01	BELT TENSIONER		1
22	725 24 59-51	SCREW EHHM		3
24	506 94 69-01	PULLEY		1
28	506 57 01-04	SCREW EHHFM		2
29	574 87 41-01	WASHER		2
27	581 76 52-01	WASHER		2
30	522 83 16-01	BRACKET		1
31	725 23 68-61	SCREW EHHFT		2
32	734 11 74-41	WASHER		2
33	506 50 48-05	WASHER		2
34	581 86 51-01	BRACKET		1
35	584 81 88-01	PULLEY		1
36	589 53 13-01	BELT		1
37	589 56 17-01	BELT		1
38	725 64 53-01	SCREW IHCSFM		1
39	735 31 22-00	CIRCLIP		2
41	574 41 20-01	TUBE		1
42	506 57 01-03	SCREW EHHFM		6
43	581 96 04-01	BRACKET		1
44	506 50 94-01	WOODRUFF KEY		1
45	574 87 41-01	WASHER		1
46	506 57 01-04	SCREW EHHFM		1
47	725 24 55-51	SCREW		1
49	506 79 34-01	BELT TENS WHEEL ASSY		1
50	581 96 02-01	BRACKET		1
52	506 98 86-01	SPRING		1
53	506 55 78-01	U6S-UNF1/4"X28 L=16		1
54	734 11 56-01	WASHER		1
55	725 24 66-51	SCREW		3
56	525 32 05-01	BRACKET		1
57	735 31 18-00	CIRCLIP		1
58	525 32 06-01	PULLEY		1
59	506 50 48-05	WASHER		1
62	581 84 79-01	TRANSAXLE		1
63	734 11 64-01	WASHER		4
64	732 21 18-01	LOCK NUT		4
67	506 55 59-02	WEDGE		1
68	522 82 76-01	PULLEY		1
69	506 59 75-01	WASHER		1
70	506 55 60-02	SCREW UNC		1
72	574 50 61-01	SPRING		1
73	575 56 72-02	SPRING		1
74	577 41 85-01	BRACKET		1
75	725 24 57-51	SCREW		1



CONTROLS

R112 C5

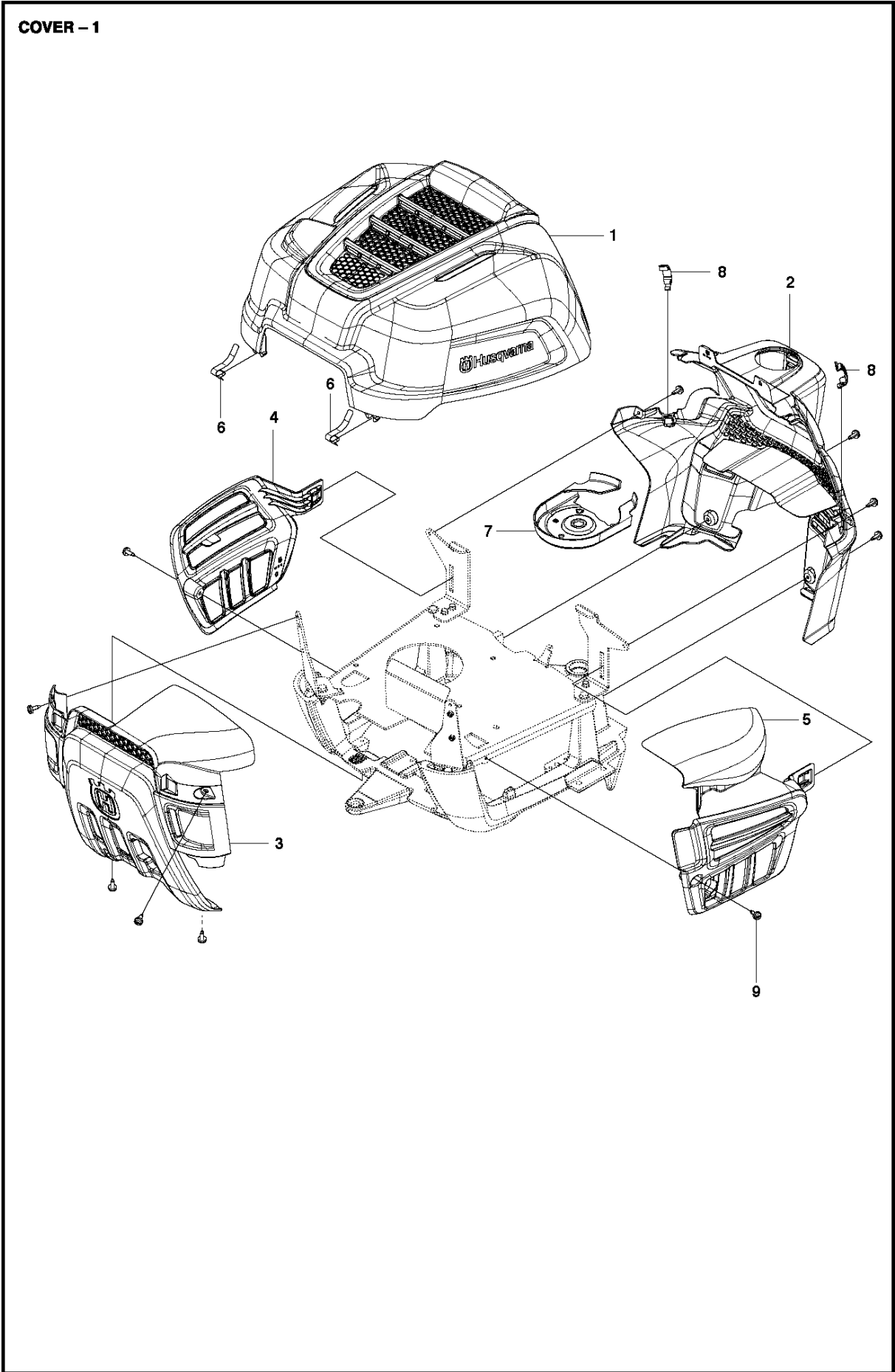
Ref	Part No	Description	Remark	QTY KIT
2	725 23 64-61	SCREW EHHFT		8
25	506 57 01-03	SCREW EHHFM		10
27	506 54 20-01	HANDLE		1
28	506 88 91-01	KNOB		1
29	522 50 59-01	THROTTLE CONTROL		1
30	544 30 17-04	WIRE		1
31	575 24 03-01	SHEET		1
32	506 57 01-04	SCREW EHHFM		2
35	525 31 65-01	ROD		1
36	574 37 78-01	SPRING		1
38	721 62 01-01	SPLIT PIN		1
39	574 37 77-01	GEARSHIFT LEVER		1
41	732 21 14-01	LOCK NUT		2
42	506 55 73-01	VINKELL.AS8 DIN71802		2
43	574 41 11-04	CONTROL CABLE		1
46	735 31 12-20	E-CLIP		1
47	506 55 65-01	BEARING		2
57	506 56 65-01	CLIP		2
65	721 61 52-01	SPLIT PIN		2
66	725 24 60-71	SCREW EHHM		2
64	574 36 97-02	BRACKET		1



CONTROLS

R112 C5

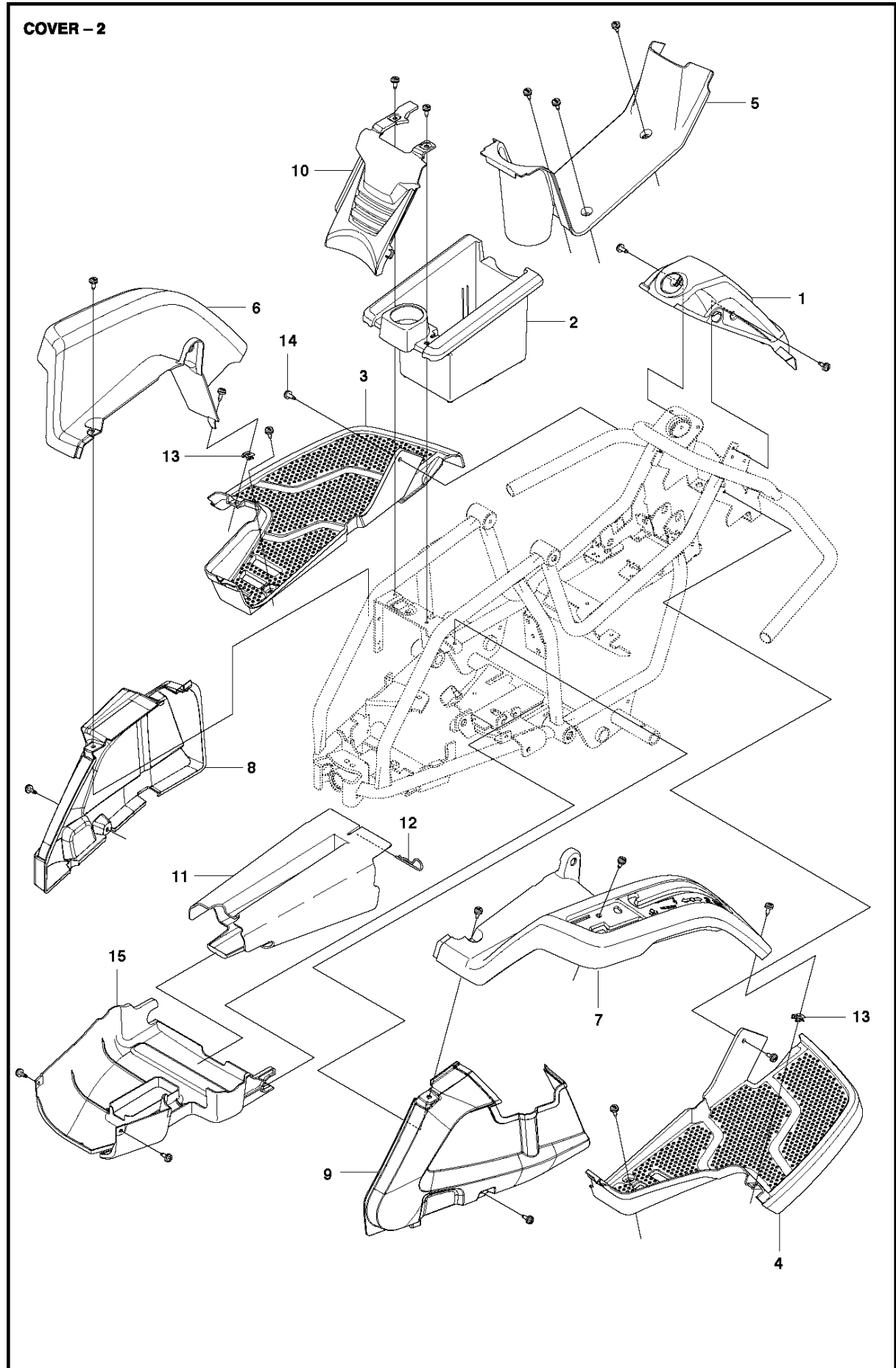
Ref	Part No	Description	Remark	QTY KIT
2	725 23 64-61	SCREW EHHFT		8
9	734 11 64-01	WASHER		4
25	506 57 01-03	SCREW EHHFM		6
33	523 34 60-02	LOCKING LEVER		2
34	506 91 62-01	NUT		1
35	578 99 68-01	CLAMP		1
37	574 40 66-01	PEDAL PLATE ASSY		1
40	735 31 09-20	E-CLIP		1
42	574 40 76-02	WIRE		2
44	535 47 88-02	PEDAL RUBBER		1
45	535 47 88-01	PEDAL RUBBER		1
48	581 85 28-01	BRACKET		2
49	721 61 52-01	SPLIT PIN		2
50	738 21 02-04	BALL BEARING		2
51	544 13 34-01	DRAW SPRING		1
52	544 44 07-01	RIVET		2
53	574 31 61-01	SWITCH		1
54	544 41 57-01	BRACKET		1
55	535 48 08-01	BEARING SUPPORT		1
56	581 85 53-01	BRACKET		4
57	506 56 65-01	CLIP		1
58	544 13 36-01	DRAW SPRING		2
59	575 35 52-01	SPRING		1
60	544 12 79-01	LINK		1
61	721 83 99-01	CLEVIS PIN		2
62	506 95 25-02	WIRE ASSY		2
63	506 53 56-03	DRAW SPRING		1



COVER

R112 C5

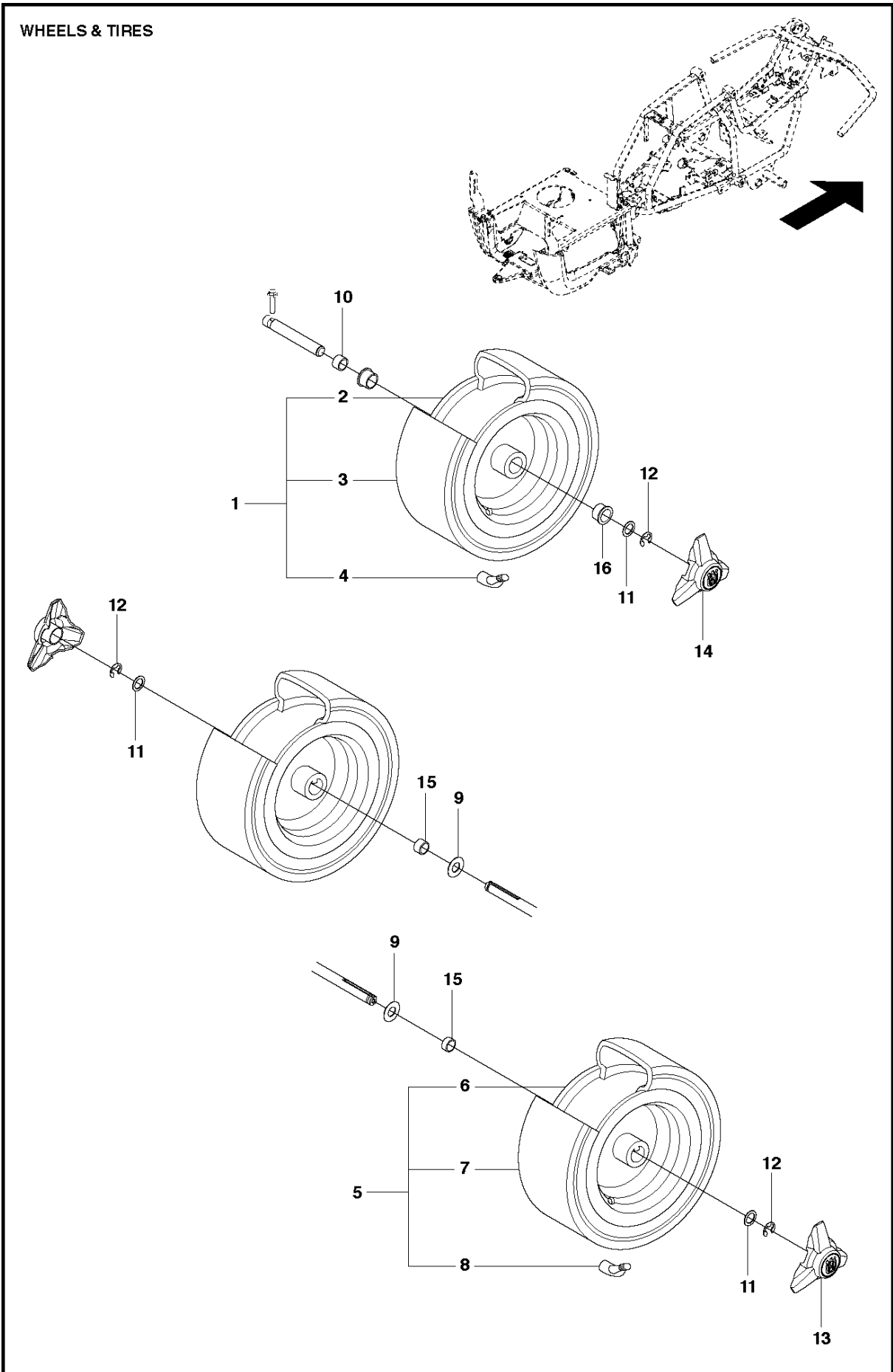
Ref	Part No	Description	Remark	QTY KIT
1	581 61 38-01	COVER		1
2	581 61 34-01	COVER		1
3	581 61 41-01	COVER		1
4	581 61 42-01	COVER		1
5	584 26 31-01	COVER		1
6	584 92 67-01	SPRING		1
7	522 50 81-01	COVER		1
8	503 89 47-03	SNAP LOCKING		2
9	544 40 05-01	SCREW		8



COVER

R112 C5

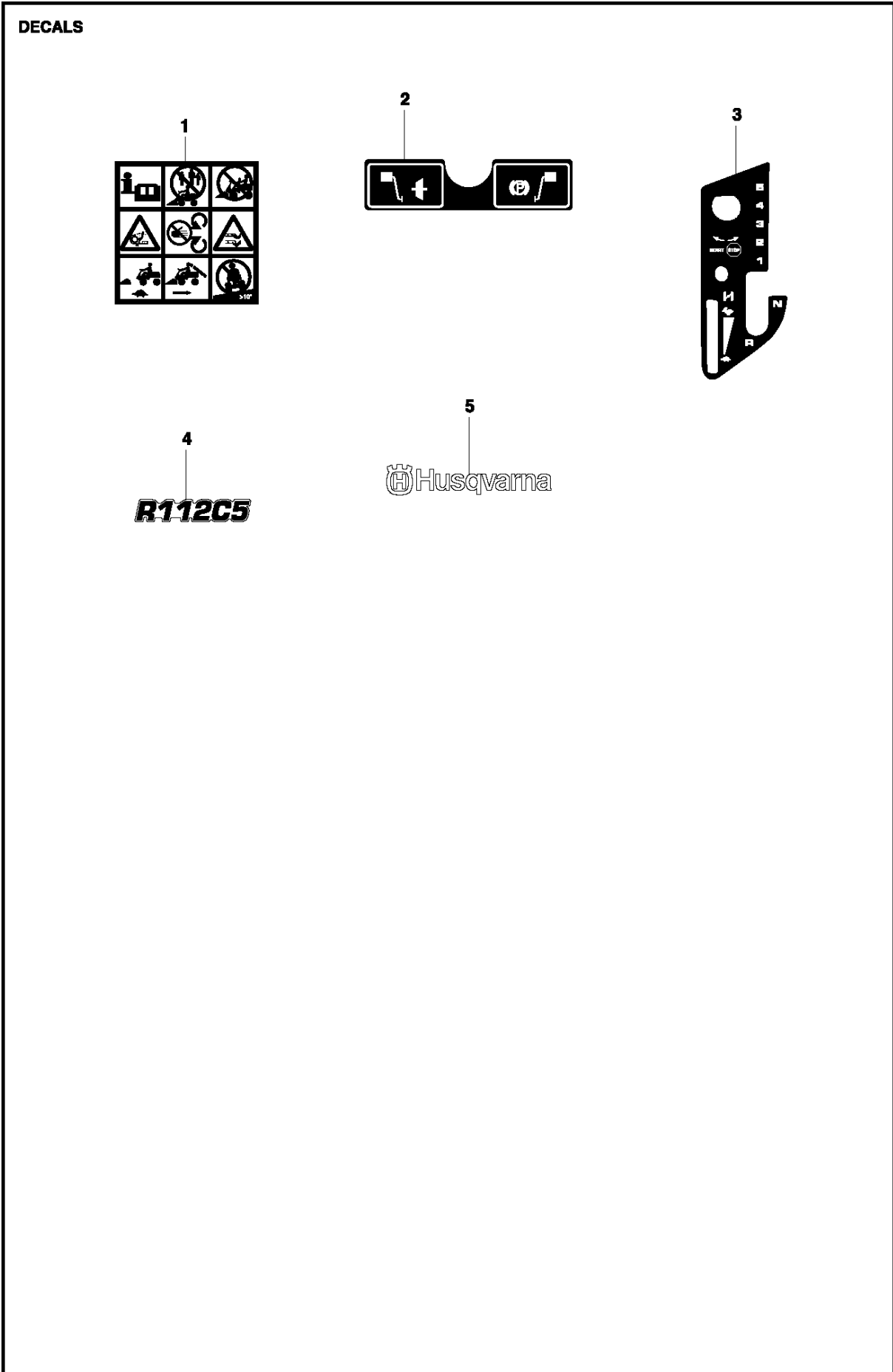
Ref	Part No	Description	Remark	QTY KIT
1	575 83 92-02	COVER		1
2	525 47 78-01	BATTERY BOX		1
3	521 88 91-01	FOOT PLATE		1
4	521 88 92-02	FOOT PLATE		1
5	522 60 18-01	COVER		1
6	521 89 07-01	COVER		1
7	521 88 93-02	CONTROL PANEL		1
8	585 61 98-01	COVER		1
9	585 62 01-01	COVER		1
10	525 47 79-01	COVER		1
11	525 39 61-01	COVER		1
12	721 68 02-51	SPRING COTTER		1
13	535 42 91-01	SPRING NUT		2
14	544 40 05-01	SCREW		20
15	575 75 14-01	COVER		1



WHEELS & TIRES

R112 C5

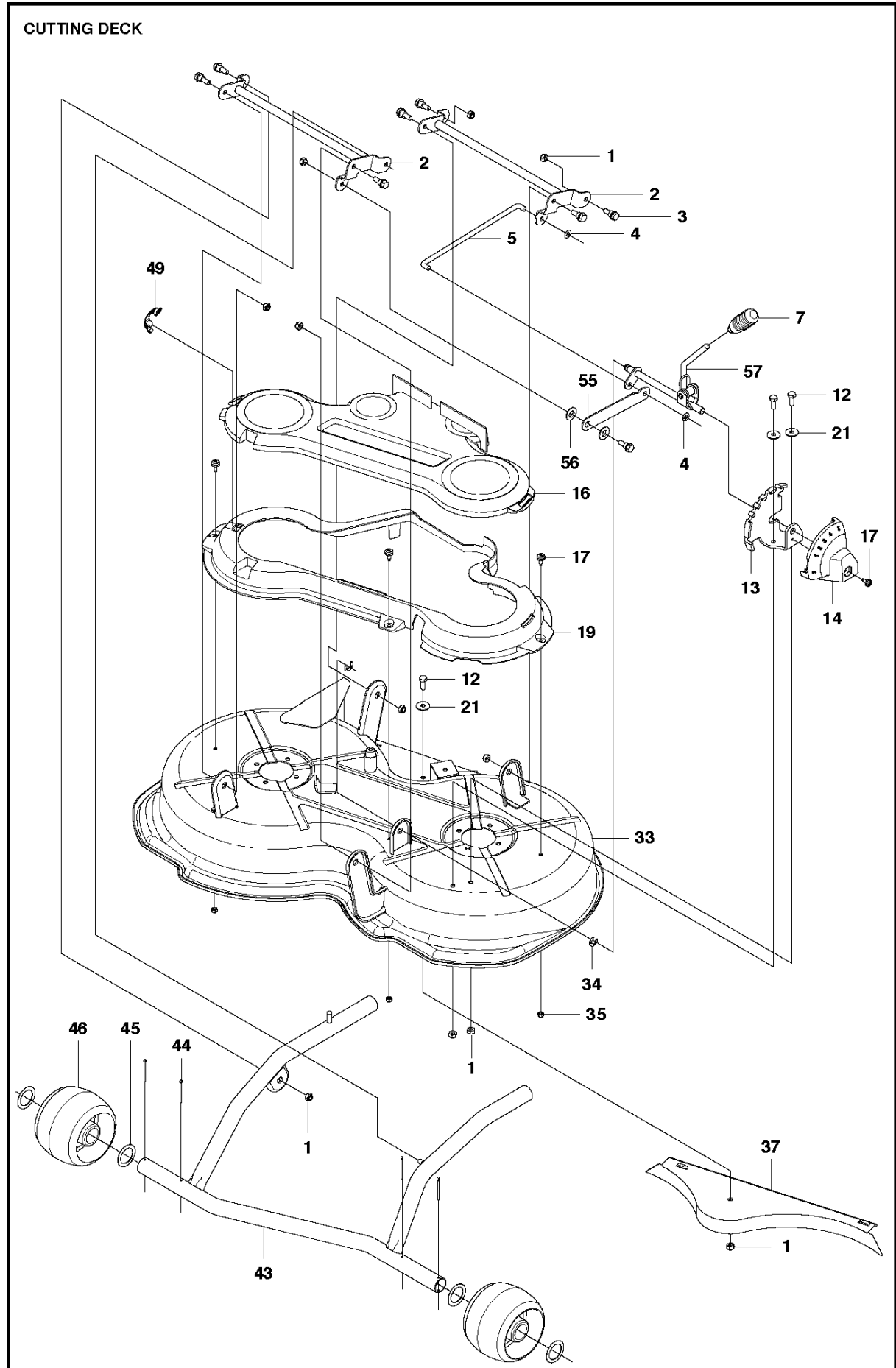
Ref	Part No	Description	Remark	QTY KIT
1	525 58 47-01	WHEEL		2
2	573 98 16-01	RIM		1
3	573 98 14-01	TYRE		1
4	523 03 47-01	VALVE		1
5	525 58 49-01	WHEEL		2
6	573 98 15-01	RIM		1
7	573 98 14-01	TYRE		1
8	523 03 47-01	VALVE		1
9	506 50 48-03	WASHER		2
10	580 40 89-01	SPACING SLEEVE		2
11	506 50 48-03	WASHER		4
12	506 89 90-01	E-CLIP		4
13	544 35 35-01	HUB CAP		2
14	544 35 35-03	HUB CAP		2
15	506 59 62-14	SPACING SLEEVE		1
16	574 67 17-01	BEARING		2



DECALS

R112 C5

Ref	Part No	Description	Remark	QTY KIT
1	574 85 48-03	DECAL		1
2	586 03 10-01	DECAL		1
3	575 22 26-01	DECAL		1
4	581 04 82-06	DECAL		1
5	577 06 20-01	DECAL		1

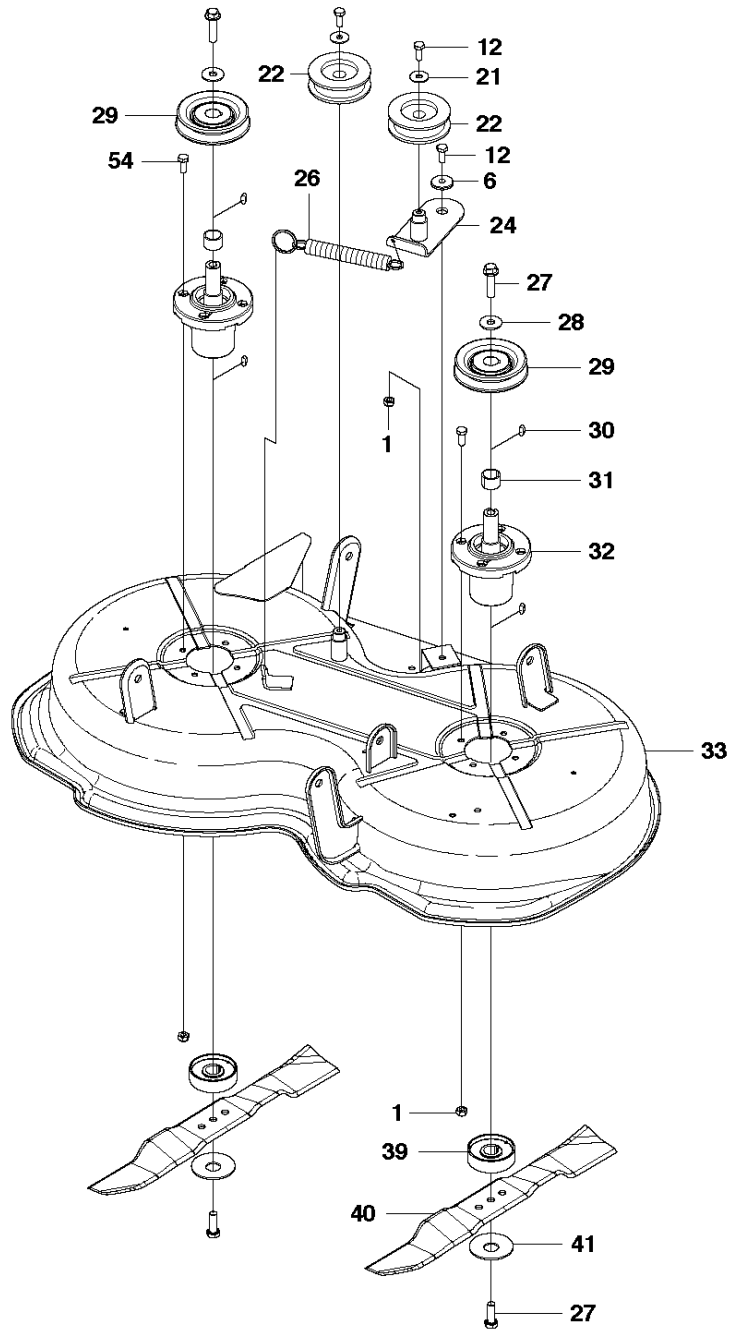


MOWER DECK / CUTTING DECK

R112 C5

Ref	Part No	Description	Remark	QTY KIT
.	586 14 70-01	CUTTING DECK	Complete, Not shown	1
1	732 21 18-01	LOCK NUT		16
2	522 45 09-01	CROSS BAR		2
3	506 59 74-01	SCREW EHHFM		8
4	735 58 52-00	WASHER		2
5	522 60 23-01	ROD		1
7	574 32 88-01	HANDLE		1
12	725 24 53-71	SCREW EHHM		7
13	522 52 32-01	BRACKET		1
14	573 97 18-01	COVER		1
16	574 17 21-01	COVER		1
17	544 40 05-01	SCREW		4
19	574 17 20-01	COVER		1
21	734 11 64-41	WASHER		5
33	581 06 11-01	CUTTING DECK		1
34	735 31 15-20	E-CLIP		2
35	732 21 16-01	LOCK NUT		3
37	574 04 17-01	PLUG		1
43	522 45 19-01	EQUIPMENT FRAME		1
44	721 61 87-01	SPLIT PIN		4
45	574 26 45-01	WASHER		4
46	522 73 59-01	WHEEL		2
55	525 85 57-01	ARM		1
56	734 11 65-41	WASHER		2
57	575 80 21-01	LEVER ASSY		1
49	503 89 47-01	SNAP LOCKING		1

CUTTING DECK



20

Combi® 85

23



MOWER DECK / CUTTING DECK

R112 C5

Ref	Part No	Description	Remark	QTY KIT
.	586 14 70-01	CUTTING DECK	Complete, Not shown	1
1	732 21 18-01	LOCK NUT		16
6	506 91 87-02	WASHER		1
12	725 24 53-71	SCREW EHHM		7
20	585 07 71-01	DECAL		1
21	734 11 64-41	WASHER		5
22	506 79 32-02	BELT TENSIONER WHEEL		2
23	574 51 00-01	DECAL		2
24	573 96 95-01	BELT TENSIONER		1
26	584 29 88-01	SPRING		1
27	506 67 54-02	SCREW EHHFM		4
28	734 11 74-41	WASHER		2
29	574 46 07-01	PULLEY		2
30	506 53 35-01	PARALLEL KEY		4
31	573 96 65-01	TUBE		2
32	573 96 86-02	BEARING HOUSING ASSY		2
33	581 06 11-01	CUTTING DECK		1
39	581 24 97-01	ADAPTER		2
40	581 08 35-01	BLADE		2
41	506 79 23-03	KNIFE PLATE		2
54	725 24 51-71	SCREW EHHM		8