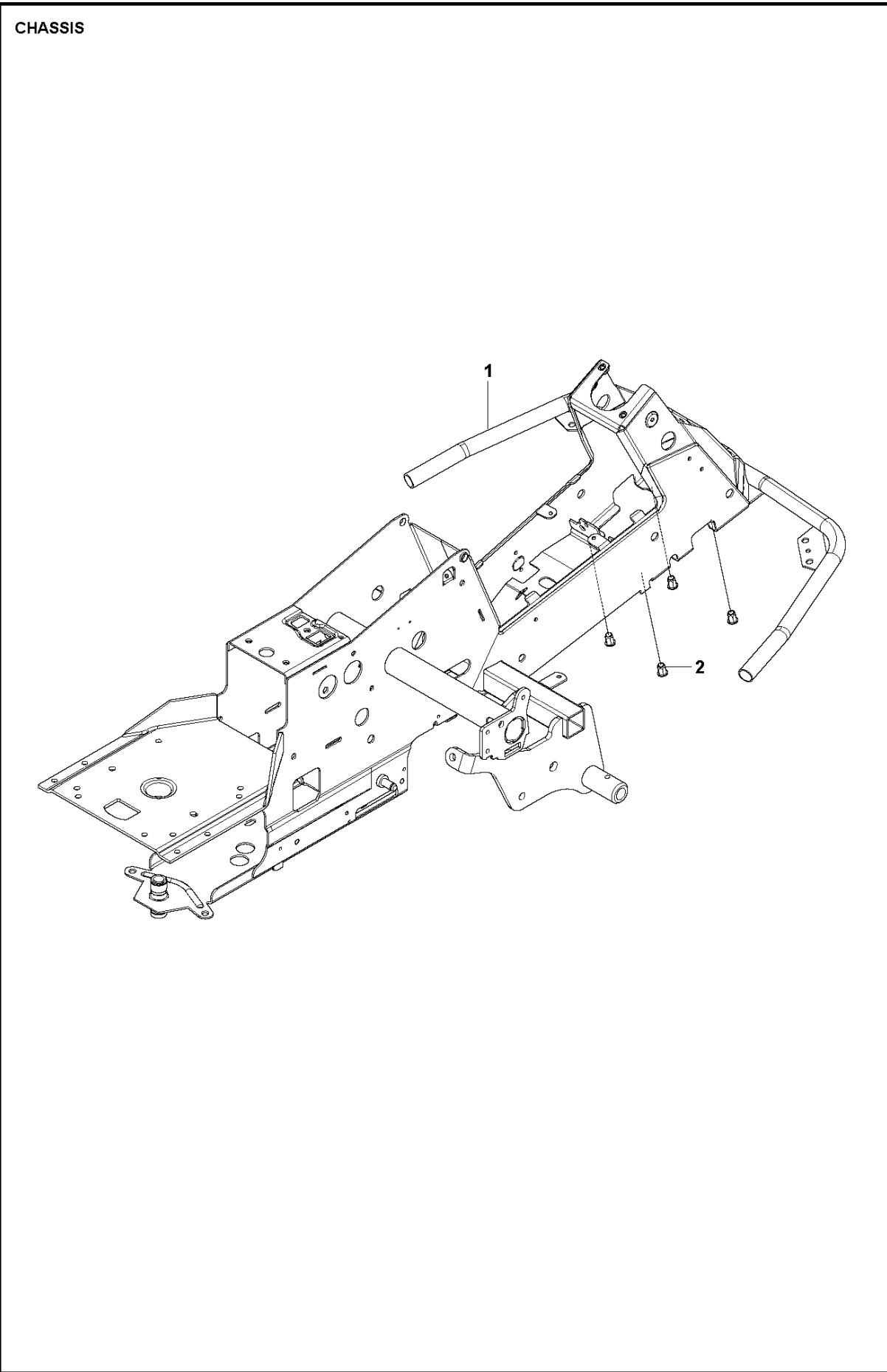




SPARE PARTS LIST

RIDERS

R214 T

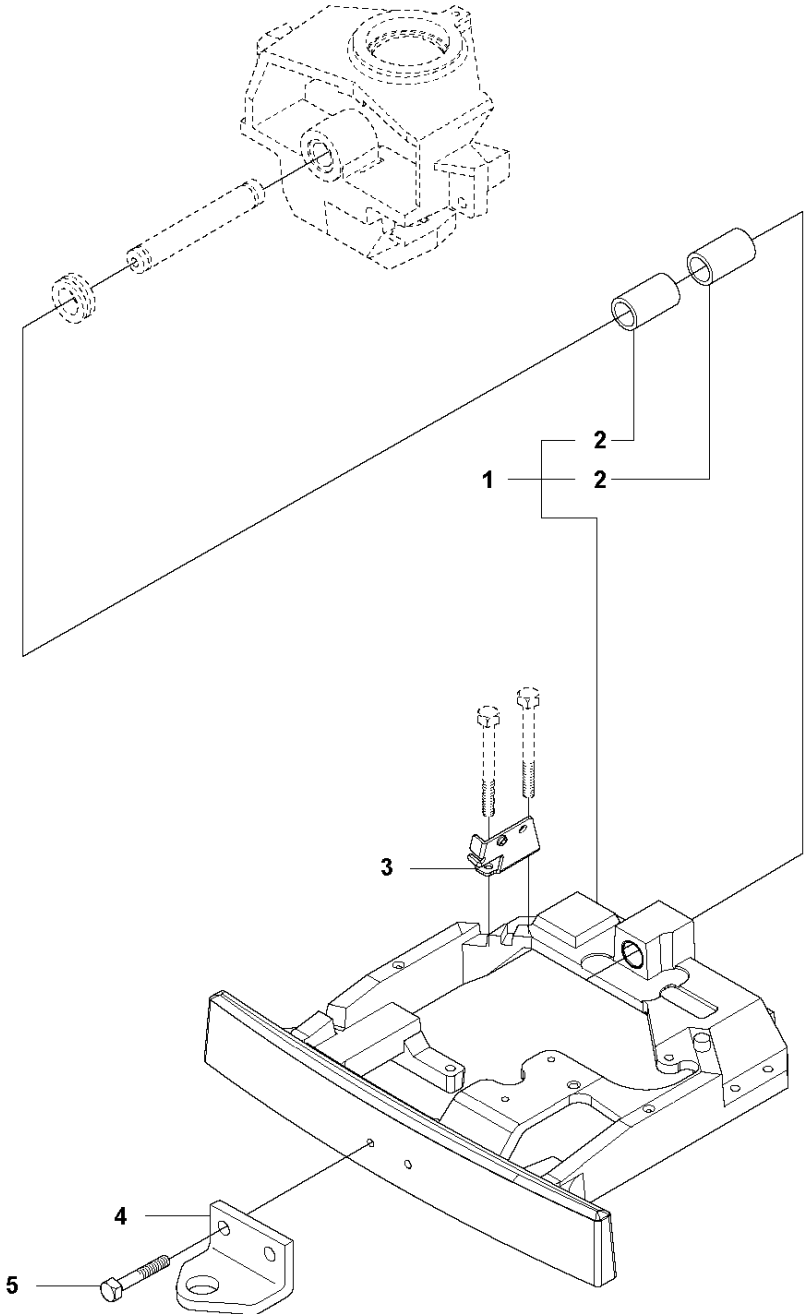


CHASSIS / FRAME

R214 T

| Ref | Part No | Description | Remark | QTY KIT |
|-----|--------------|-------------|--------|---------|
| 1 | 594 92 14-02 | CHASSIS | | 1 |
| 2 | 506 91 62-01 | NUT | | 4 |

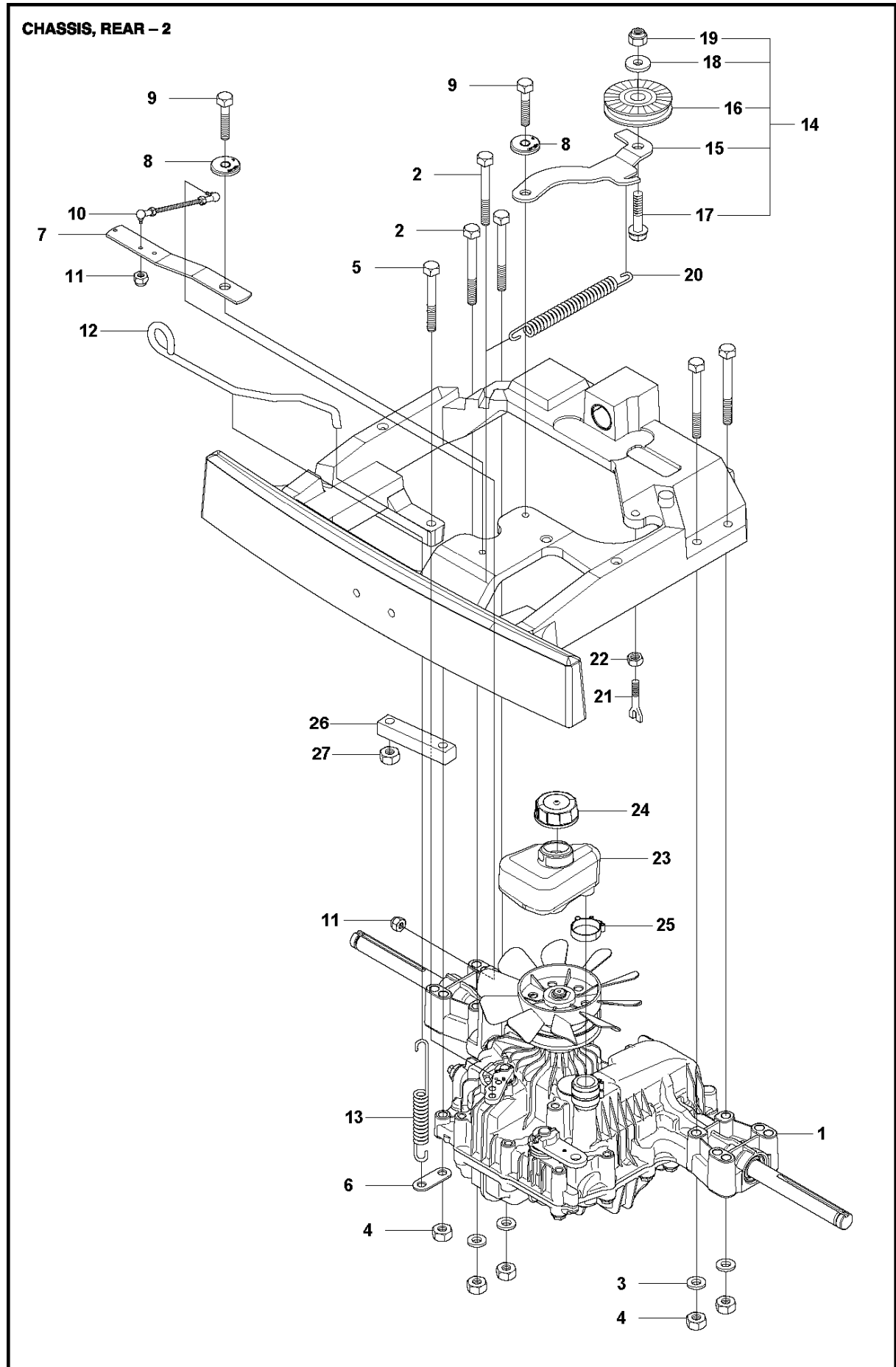
CHASSIS, REAR - 1



CHASSIS REAR

R214 T

| Ref | Part No | Description | Remark | QTY | KIT |
|-----|--------------|-------------|---------------|-----|-----|
| 1 | 582 24 46-01 | BRACKET | For 967847001 | 1 | |
| 1 | 535 40 60-01 | BRACKET | For 967062901 | 1 | |
| 1 | 506 98 77-01 | BRACKET | For 967062902 | 1 | |
| 2 | 506 98 61-02 | GLIDLAGER | | 2 | 1 |
| 3 | 506 98 77-01 | BRACKET | | 1 | |
| 4 | 506 88 99-01 | HITCH | | 1 | |
| 5 | 725 24 93-71 | SCREW EHHM | | 2 | |

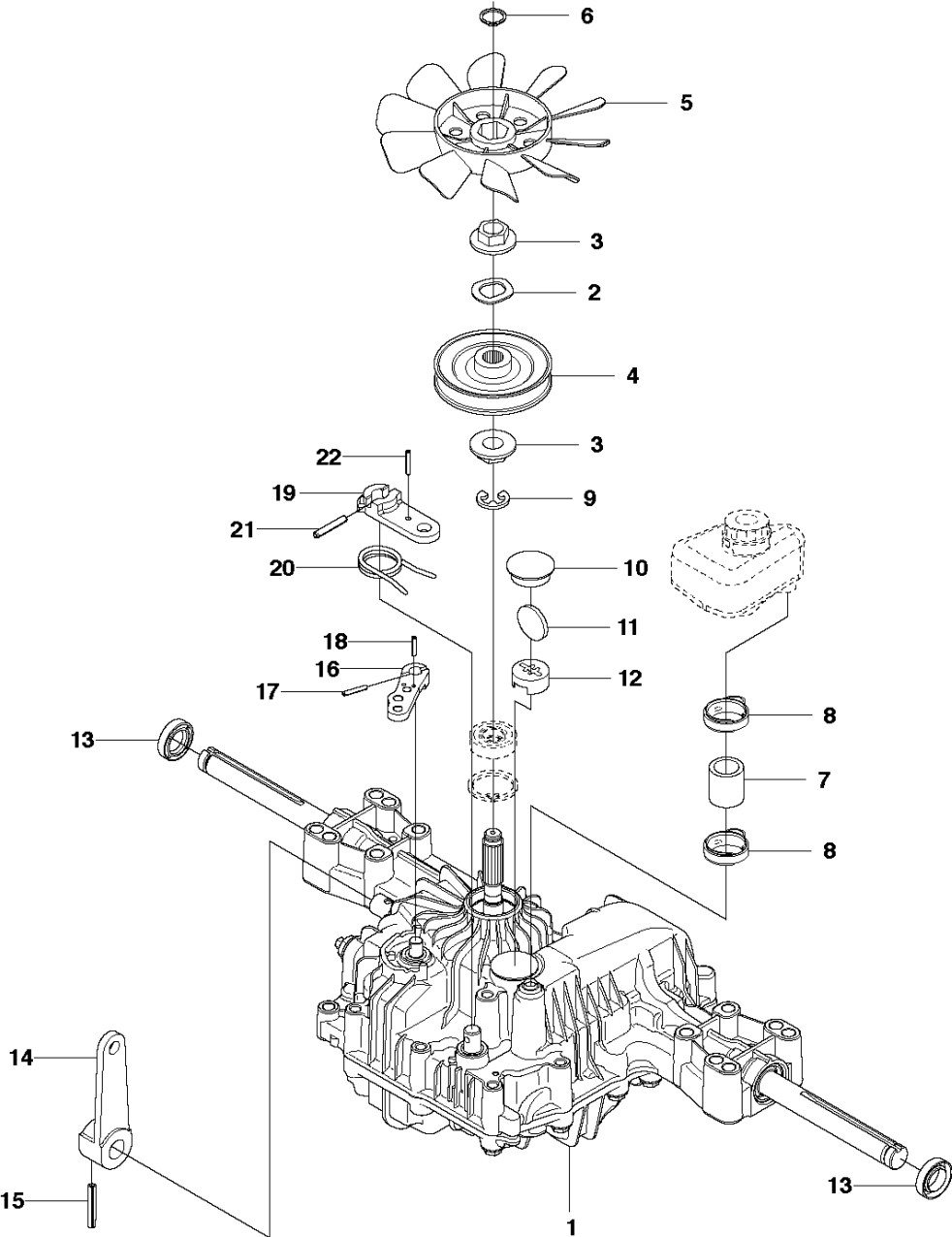


CHASSIS REAR

R214 T

| Ref | Part No | Description | Remark | QTY | KIT |
|-----|--------------|---------------------|-----------------------------|-----|-----|
| 1 | 506 98 63-01 | TRANSMISSION | | 1 | |
| 2 | 725 24 67-51 | SCREW EHHM | | 5 | |
| 3 | 734 11 64-01 | WASHER | | 4 | |
| 4 | 731 23 18-01 | HEXAGON NUT | | 5 | |
| 5 | 725 24 62-51 | SCREW EHHM | | 1 | |
| 6 | 506 59 93-01 | LINK | | 1 | |
| 7 | 579 59 68-01 | LEVER | | 1 | |
| 8 | 584 28 86-04 | WASHER | For 967847001 | 2 | |
| 8 | 506 91 87-02 | WASHER | For 967062902, 967062901 | 1 | |
| 9 | 725 24 51-71 | SCREW EHHM | For 967847001 | 2 | |
| 9 | 725 24 51-71 | SCREW EHHM | For 967062902, 967062901 | 1 | |
| 10 | 506 98 75-01 | ADJUSTMENT ROD | | 1 | |
| 11 | 732 21 14-01 | LOCK NUT | | 2 | |
| 12 | 506 98 82-01 | FRIKOPPLINGSSTÅNG | | 1 | |
| 13 | 506 83 43-01 | SPRING | | 1 | |
| 14 | 506 98 84-01 | BELT TENSIONER ASSY | | 1 | |
| 15 | 588 74 04-01 | BELT TENSIONER | | 1 | 14 |
| 16 | 506 94 69-01 | PULLEY | | 1 | 14 |
| 17 | 725 24 55-71 | SCREW EHHM | | 1 | 14 |
| 18 | 734 11 64-41 | WASHER | | 1 | 14 |
| 19 | 732 21 18-01 | LOCK NUT | | 1 | 14 |
| 20 | 506 98 86-01 | SPRING | | 1 | |
| 21 | 506 98 88-01 | PENDULUM | | 1 | |
| 22 | 731 23 20-01 | HEXAGON NUT | | 1 | |
| 23 | 506 98 90-01 | EXPANSION TANK | | 1 | |
| 24 | 590 32 47-01 | TANK CAP ASSY | For 967847001 | 1 | |
| 24 | 506 98 80-01 | TANK CAP ASSY | For 967062902, 967062901 | 1 | |
| 25 | 505 13 11-02 | HOSE CLAMP | | 1 | |
| 26 | 506 98 72-01 | MOMENTFÄSTE | For 967062901 | 1 | |
| 27 | 731 23 18-01 | HEXAGON NUT | For 967052901 | 1 | |

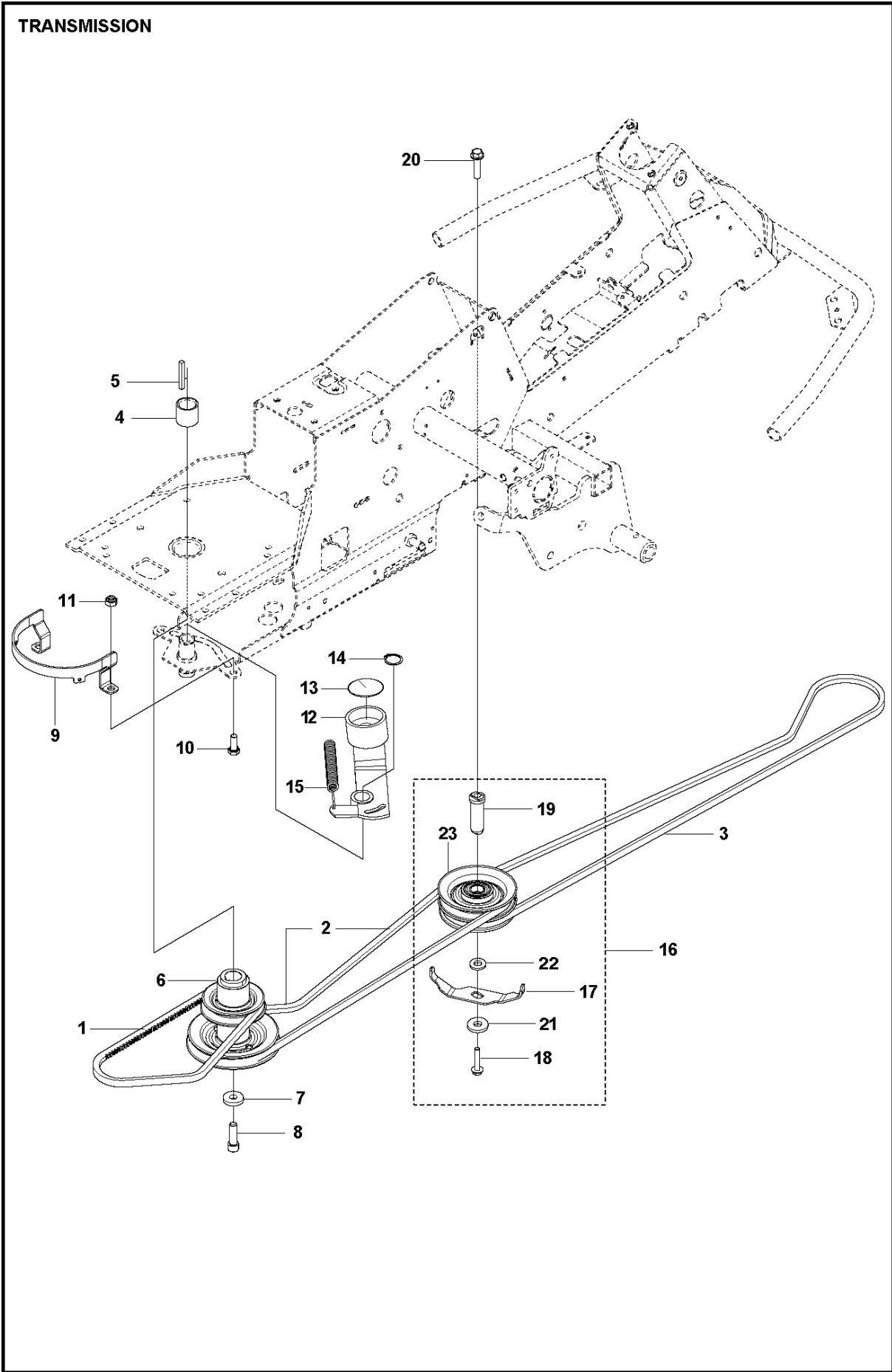
HYDROSTAT K46 EU



TRANSMISSION

R214 T

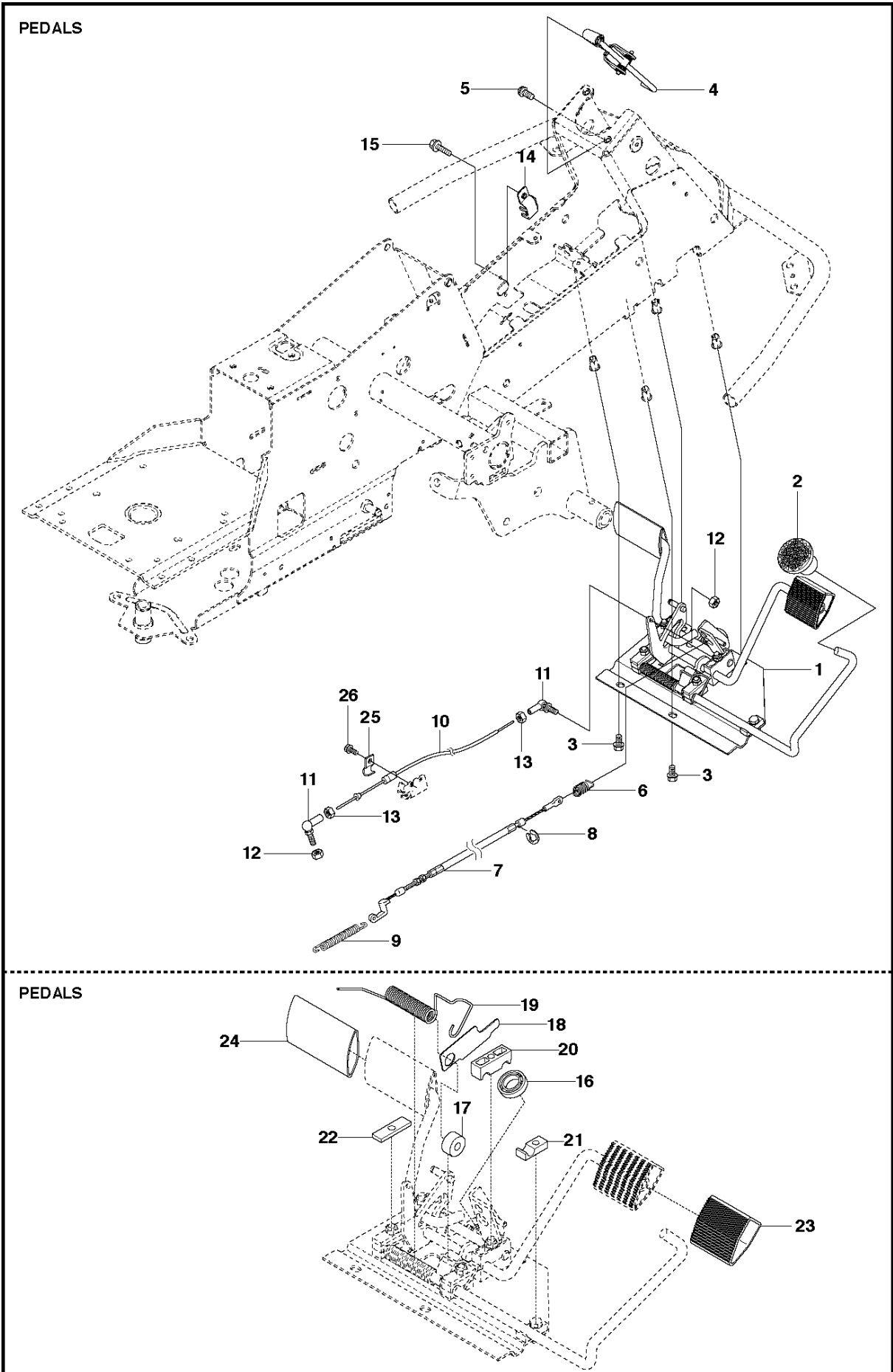
| Ref | Part No | Description | Remark | QTY | KIT |
|-----|--------------|---------------------|--------|-----|-----|
| 1 | 506 98 63-01 | TRANSMISSION | | 1 | |
| 2 | 506 98 65-01 | SPRING WASHER | | 1 | |
| 3 | 506 98 66-01 | DISTANCE | | 2 | |
| 4 | 502 45 19-01 | PULLEY | | 1 | |
| 5 | 506 98 68-01 | FAN | | 1 | |
| 6 | 735 31 15-00 | CIRCLIP | | 1 | |
| 7 | 502 45 16-01 | TUBE | | 1 | |
| 8 | 505 13 11-02 | HOSE CLAMP | | 2 | |
| 9 | 535 40 28-07 | CLIP | | 1 | 1 |
| 10 | 535 40 28-32 | PLUG | | 1 | 1 |
| 11 | 505 56 39-01 | MAGNET | | 1 | 1 |
| 12 | 502 45 20-01 | MAGNET HOLDER | | 1 | 1 |
| 13 | 535 40 28-37 | SEALING | | 2 | 1 |
| 14 | 502 45 32-01 | CONTROL LEVER | | 1 | 1 |
| 15 | 586 90 46-01 | PEN | | 1 | 1 |
| 16 | 535 40 28-17 | LEVER | | 1 | 1 |
| 17 | 586 90 45-01 | SPRING PIN | | 1 | 1 |
| 18 | 535 40 28-33 | PIN RETAINING SCREW | | 1 | 1 |
| 19 | 535 40 28-38 | LEVER | | 1 | 1 |
| 20 | 535 40 28-39 | RETURN SPRING | | 1 | 1 |
| 21 | 535 40 28-40 | PIN RETAINING SCREW | | 1 | 1 |
| 22 | 535 40 28-41 | PIN RETAINING SCREW | | 1 | 1 |



TRANSMISSION

R214 T

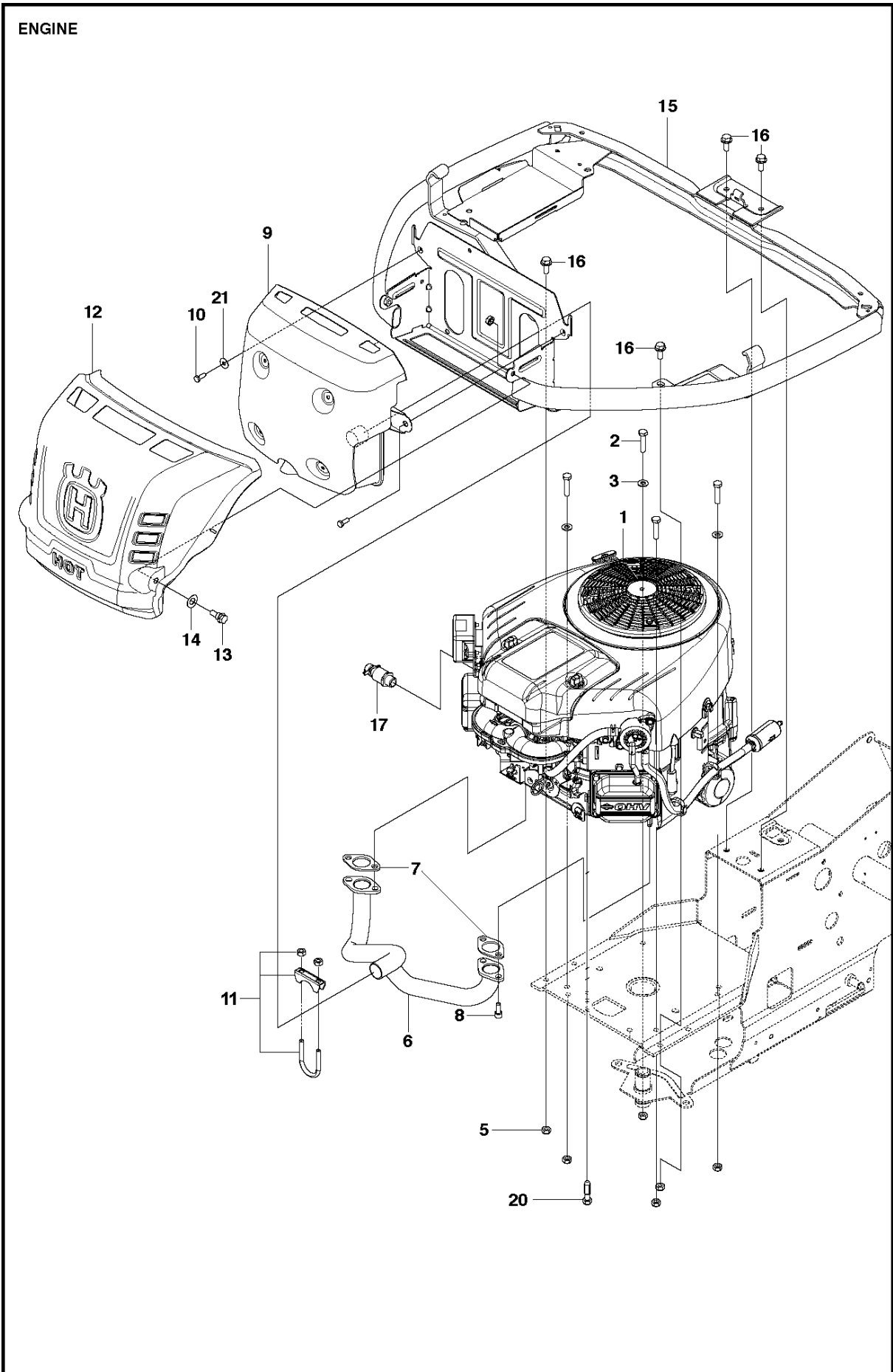
| Ref | Part No | Description | Remark | QTY | KIT |
|-----|--------------|---------------------|-----------------------------|-----|-----|
| 1 | 589 53 12-01 | BELT | | 1 | |
| 2 | 589 53 04-01 | BELT | | 1 | |
| 3 | 594 97 78-01 | BELT | For 967847001 | 1 | |
| 3 | 589 53 00-01 | BELT | For 967062902, 967062901 | 1 | |
| 4 | 506 50 92-01 | SPACING SLEEVE | | 1 | |
| 5 | 506 55 59-01 | WEDGE | | 1 | |
| 6 | 535 48 24-01 | PULLEY | | 1 | |
| 7 | 506 59 75-01 | WASHER | | 1 | |
| 8 | 506 55 60-02 | SCREW UNC | | 1 | |
| 9 | 587 42 52-01 | BELT GUIDE | | 1 | |
| 10 | 725 24 93-71 | SCREW EHHM | | 2 | |
| 11 | 732 21 20-51 | NUT | | 2 | |
| 12 | 535 48 44-01 | BELT TENSIONER ASSY | | 1 | |
| 13 | 535 48 50-01 | SEALING | | 1 | |
| 14 | 735 31 26-00 | CIRCLIP | | 1 | |
| 15 | 506 66 56-01 | SPRING | | 1 | |
| 16 | 581 91 63-01 | PULLEY | For 967847001 | 1 | |
| 17 | 544 40 53-01 | BELT GUIDE | | 1 | 16 |
| 18 | 586 32 04-01 | SCREW | | 1 | 16 |
| 19 | 581 91 64-01 | SHAFT | | 1 | 16 |
| 20 | 506 67 54-02 | SCREW EHHFM | | 1 | |
| 21 | 586 32 02-01 | DISTANCE | For 967062902, 967062901 | 1 | |
| 22 | 506 59 75-01 | WASHER | | 1 | |
| 23 | 535 48 22-01 | PULLEY | For 967062902, 967062901 | 1 | |



PEDALS

R214 T

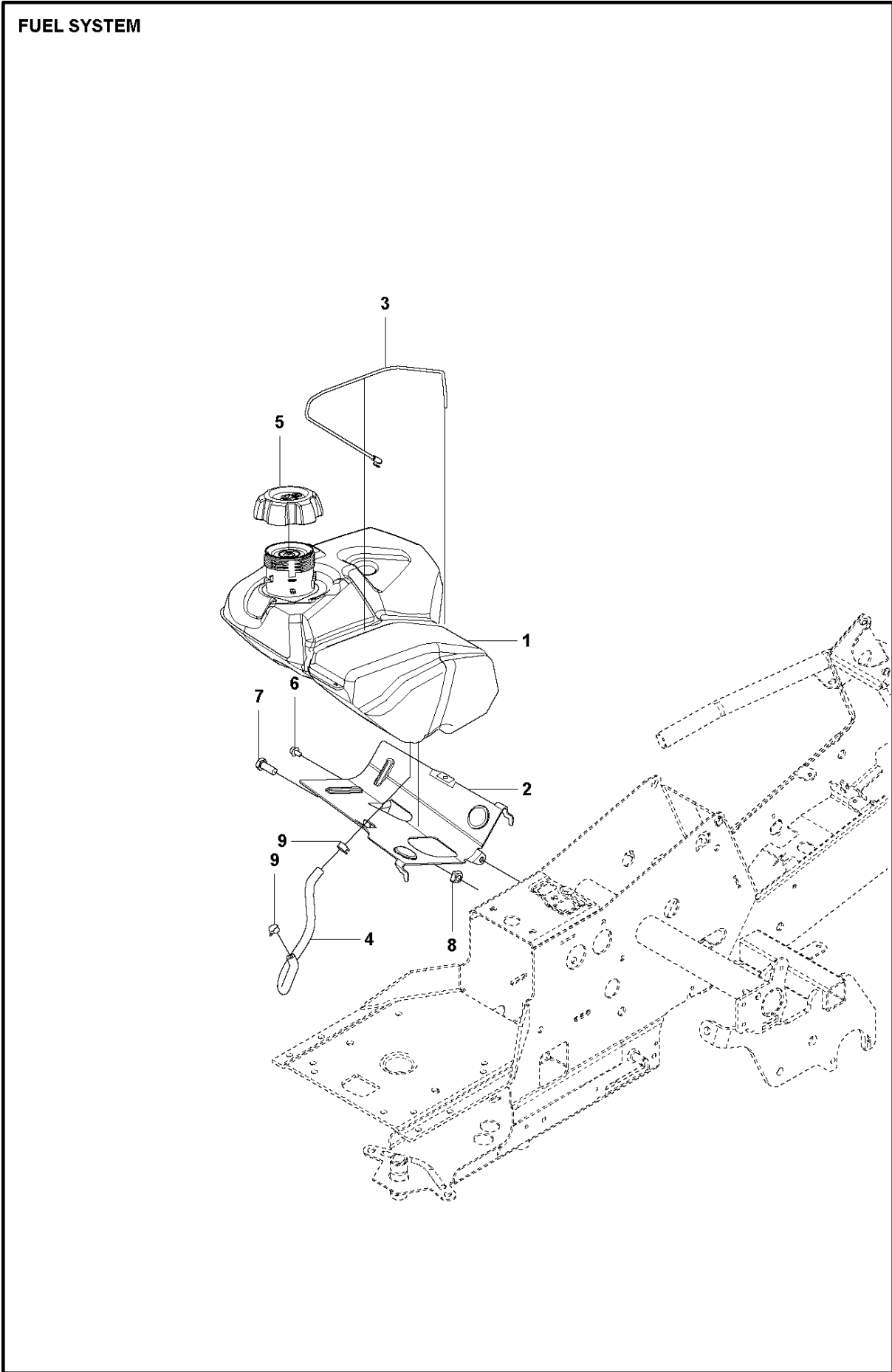
| Ref | Part No | Description | Remark | QTY KIT |
|-----|--------------|---------------------|--------|---------|
| 1 | 586 96 93-01 | PEDAL PLATE ASSY | | 1 |
| 2 | 586 72 74-01 | KNOB | | 1 |
| 3 | 506 57 01-04 | SCREW EHHFM | | 4 |
| 4 | 544 40 31-01 | BRAKE LEVER ASSY | | 1 |
| 5 | 725 23 64-61 | SCREW EHHFT | | 2 |
| 6 | 506 94 63-01 | BRAKE SPRING | | 1 |
| 7 | 506 99 27-01 | BRAKE WIRE | | 1 |
| 8 | 735 31 09-20 | E-CLIP | | 1 |
| 9 | 506 53 56-03 | DRAW SPRING | | 1 |
| 10 | 574 41 11-01 | CONTROL CABLE | | 1 |
| 11 | 578 77 68-01 | BALL JOINT | | 2 |
| 12 | 732 21 16-01 | LOCK NUT | | 2 |
| 13 | 731 23 14-01 | HEXAGON NUT | | 2 |
| 14 | 522 43 08-01 | BRACKET | | 1 |
| 15 | 725 23 64-61 | SCREW EHHFT | | 1 |
| 16 | 738 21 02-04 | BALL BEARING | | 1 |
| 17 | 535 48 02-01 | ROLLER | | 1 |
| 18 | 535 48 06-01 | PROTECTIVE PLATE | | 1 |
| 19 | 535 48 07-01 | SPRING | | 1 |
| 20 | 535 48 08-01 | BEARING SUPPORT | | 4 |
| 21 | 535 48 09-01 | BEARING SUPPORT | | 1 |
| 22 | 535 48 10-01 | REINFORCEMENT PLATE | | 1 |
| 23 | 586 96 64-01 | PEDAL | | 1 |
| 24 | 586 96 64-02 | PEDAL | | 1 |
| 25 | 506 56 65-01 | CLIP | | 1 |
| 26 | 725 23 64-61 | SCREW EHHFT | | 1 |



ENGINE

R214 T

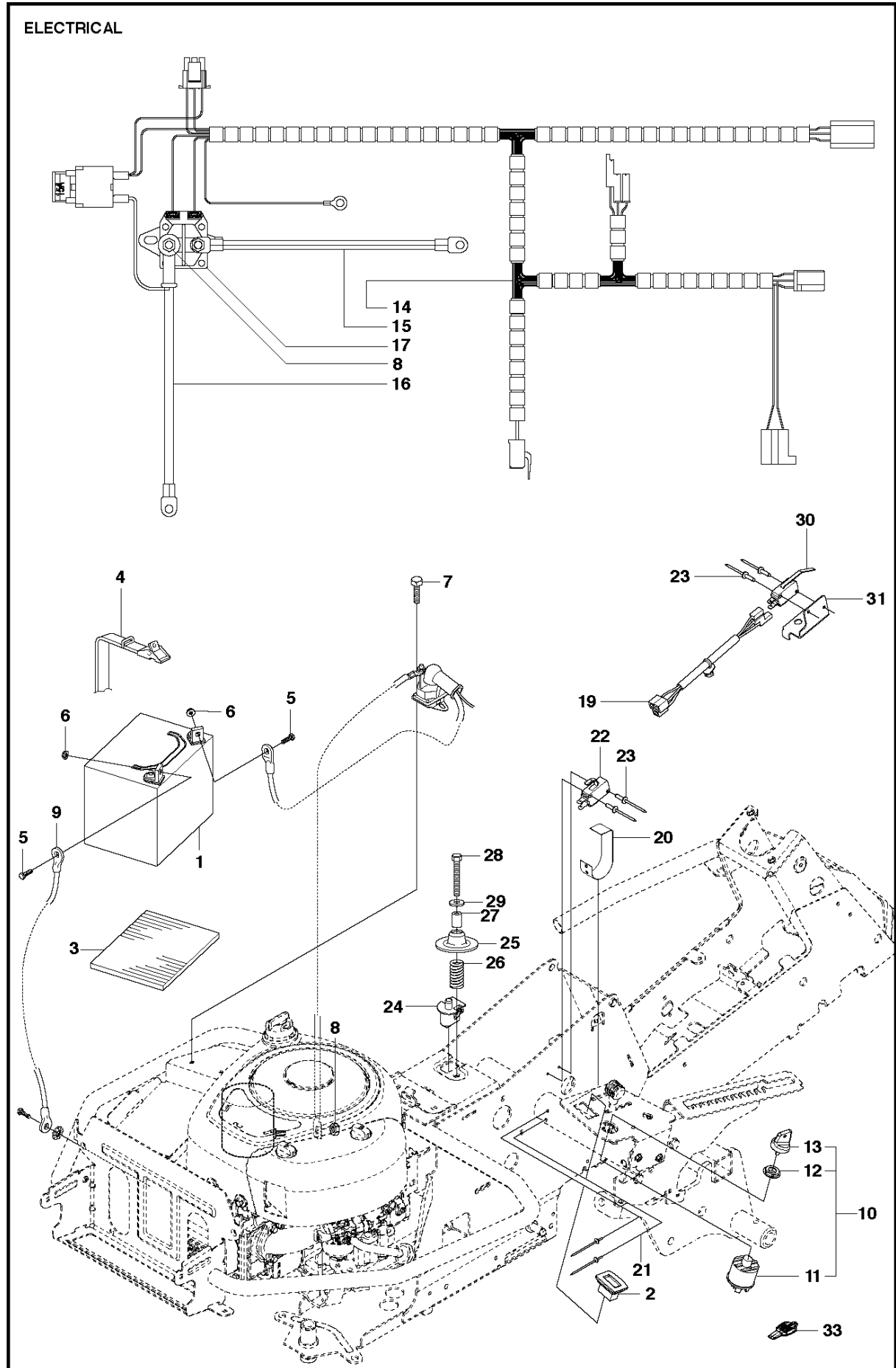
| Ref | Part No | Description | Remark | QTY KIT |
|-----|--------------|---------------|-----------------------------|---------|
| 1 | 582 82 38-01 | ENGINE | For 967847001 | 1 |
| 1 | 581 21 45-01 | ENGINE | For 967062901 | 1 |
| 2 | 725 24 57-51 | SCREW | | 4 |
| 3 | 734 11 64-01 | WASHER | | 4 |
| 5 | 732 21 18-01 | LOCK NUT | | 6 |
| 6 | 582 72 28-01 | MANIFOLD | For 967847001 | 1 |
| 6 | 578 05 86-01 | MANIFOLD | For 967062901 | 1 |
| 7 | 506 91 45-01 | GASKET | For 967062902, 967062901 | 1 |
| 8 | 506 55 63-01 | SCREW UNC | For 967062902, 967062901 | 1 |
| 9 | 577 81 36-02 | MUFFLER | For 967847001 | 1 |
| 9 | 577 81 36-01 | MUFFLER | For 967062901 | 1 |
| 10 | 725 23 64-61 | SCREW EHHFT | | 4 |
| 11 | 501 15 22-01 | CLAMP ASSY | | 1 |
| 12 | 577 81 85-02 | HEAT SHIELD | | 1 |
| 13 | 506 59 74-01 | SCREW EHHFM | | 2 |
| 14 | 506 83 94-01 | SPRING WASHER | | 2 |
| 15 | 577 84 91-04 | ENGINE FRAME | | 1 |
| 16 | 506 57 01-04 | SCREW EHHFM | | 4 |
| 17 | 532 42 82-87 | PLUG | | 1 |
| 20 | 578 20 75-01 | STUD SCREW | For 967062901 | 1 |
| 21 | 734 11 54-41 | WASHER | For 967062901 | 1 |



FUEL SYSTEM

R214 T

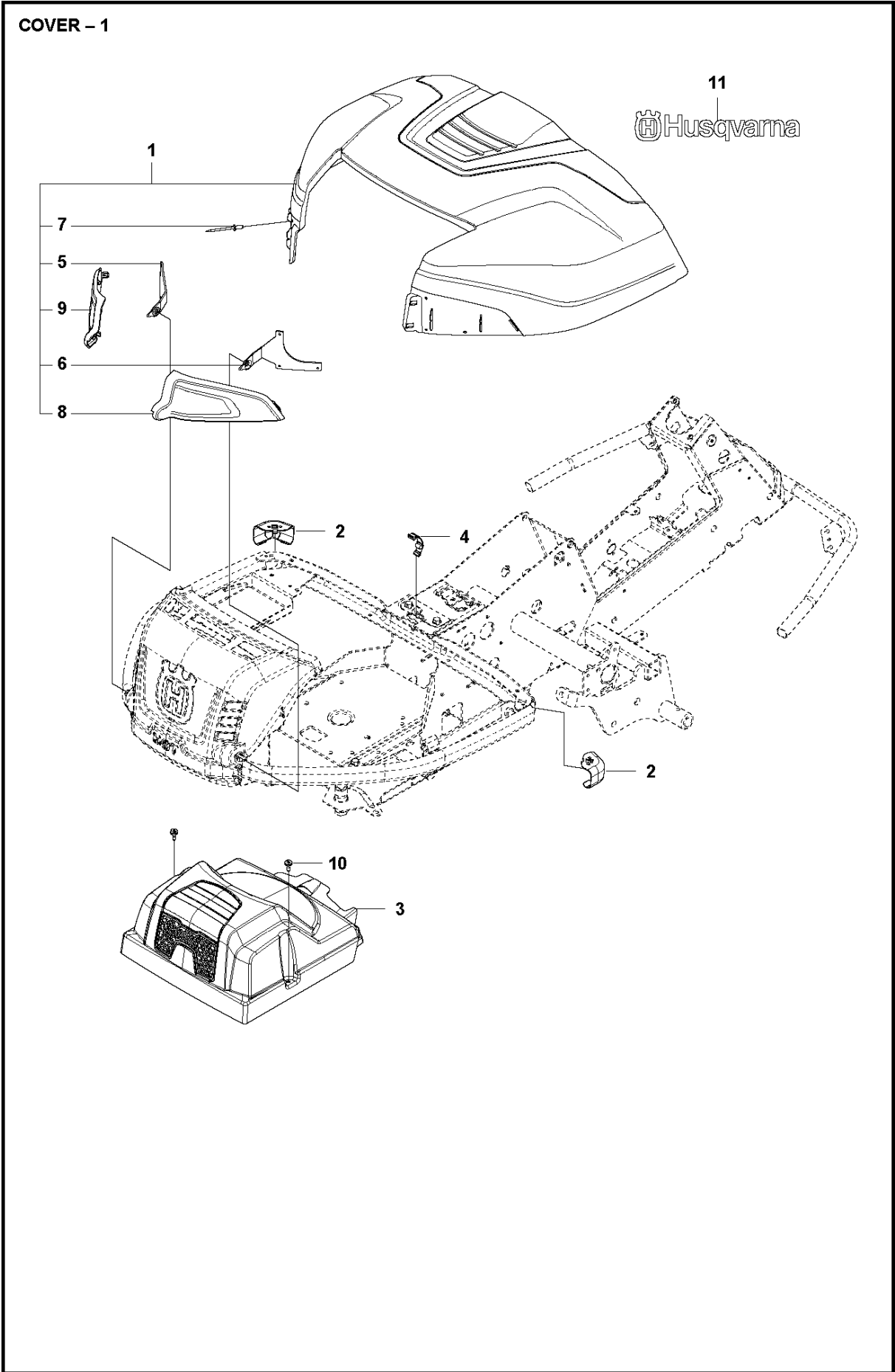
| Ref | Part No | Description | Remark | QTY KIT |
|-----|--------------|-------------|--------|---------|
| 1 | 577 91 50-01 | FUEL TANK | | 1 |
| 2 | 578 05 38-01 | BRACKET | | 1 |
| 3 | 578 26 15-01 | WIRE | | 1 |
| 4 | 504 80 00-10 | FUEL HOSE | | 1 |
| 5 | 584 24 87-02 | FUEL CAP | | 1 |
| 6 | 725 23 64-61 | SCREW EHHFT | | 1 |
| 7 | 725 24 93-71 | SCREW EHHM | | 1 |
| 8 | 732 21 16-01 | LOCK NUT | | 1 |
| 9 | 535 46 97-01 | HOSE BRACE | | 2 |



ELECTRICAL

R214 T

| Ref | Part No | Description | Remark | QTY | KIT |
|-----|--------------|-----------------|-----------------------------|-----|-----|
| 1 | 577 04 16-01 | BATTERY | | 1 | |
| 2 | 587 76 43-01 | HOUR METER | | 1 | |
| 3 | 535 44 11-01 | BATTERY MAT | For 967062902, 967062901 | 1 | |
| 4 | 506 83 68-02 | BELT | | 1 | |
| 5 | 522 62 21-01 | SCREW EHHM | | 2 | |
| 6 | 522 62 43-01 | NUT | | 2 | |
| 7 | 725 23 64-61 | SCREW EHHFT | | 1 | |
| 8 | 506 89 98-01 | NUT | | 3 | |
| 9 | 576 18 38-01 | CABLE | | 1 | |
| 10 | 544 44 21-01 | IGNITION SWITCH | | 1 | |
| 11 | 544 44 22-01 | IGNITION SWITCH | | 1 | 10 |
| 12 | 544 44 23-01 | NUT | | 1 | 10 |
| 13 | 544 44 24-01 | IGNITION KEY | | 1 | 10 |
| 14 | 578 33 83-01 | WIRING | | 1 | |
| 15 | 576 18 39-01 | CABLE | | 1 | |
| 16 | 586 22 39-01 | WIRE | | 1 | |
| 17 | 544 43 98-01 | RELAY | | 1 | |
| 19 | 576 18 54-01 | WIRING | | 1 | |
| 20 | 506 90 93-01 | PLATE SPRING | For 967062902, 967062901 | 1 | |
| 21 | 722 78 39-02 | BLIND RIVET | For 967062902, 967062901 | 1 | |
| 22 | 574 31 61-01 | SWITCH | For 967847001 | 1 | |
| 22 | 574 31 60-01 | SWITCH | For 967062902, 967062901 | 1 | |
| 23 | 544 44 07-01 | RIVET | | 4 | |
| 24 | 506 90 96-01 | SWITCH | | 1 | |
| 25 | 506 90 97-01 | SPRING WASHER | | 1 | |
| 26 | 544 44 12-01 | SPRING | | 1 | |
| 27 | 506 90 99-02 | SPACING TUBE | For 967062902, 967062901 | 1 | |
| 28 | 725 24 64-51 | SCREW EHHM | For 967847001 | 1 | |
| 29 | 734 11 64-01 | WASHER | | 1 | |
| 30 | 574 31 61-01 | SWITCH | | 1 | |
| 31 | 544 41 57-01 | BRACKET | | 1 | |
| 33 | 586 37 94-01 | LEVER | | 1 | |

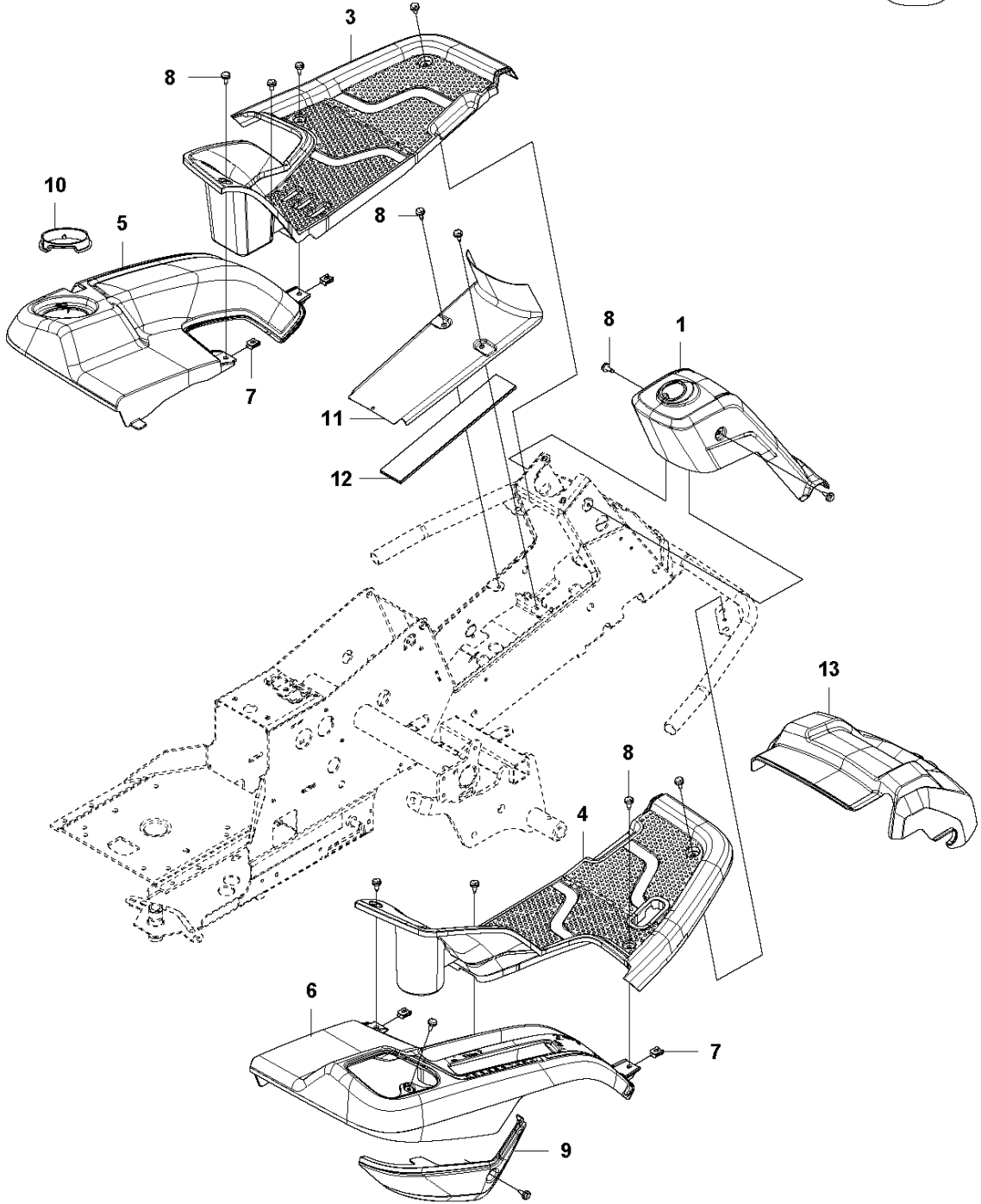
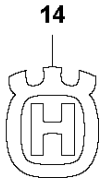


COVER

R214 T

| Ref | Part No | Description | Remark | QTY | KIT |
|-----|--------------|--------------------|-----------------------------|-----|-----|
| 1 | 577 61 47-03 | ENGINE HOOD ASSY | | 1 | |
| 2 | 577 90 33-01 | PLUG | | 2 | |
| 3 | 578 26 13-04 | TRANSMISSION COVER | | 1 | |
| 4 | 588 46 28-03 | SNAP LOCKING | | 1 | |
| 5 | 578 11 37-01 | HINGE | | 1 | 1 |
| 6 | 578 11 37-02 | HINGE | | 1 | 1 |
| 7 | 722 79 54-02 | RIVET | | 6 | 1 |
| 8 | 577 61 26-02 | COVER | | 1 | 1 |
| 9 | 577 61 26-01 | COVER | | 1 | 1 |
| 10 | 574 85 62-01 | SCREW | For 967847001 | 2 | |
| 10 | 544 40 05-01 | SCREW | For 967062902, 967062901 | 1 | |
| 11 | 577 06 20-01 | DECAL | | 2 | 1 |

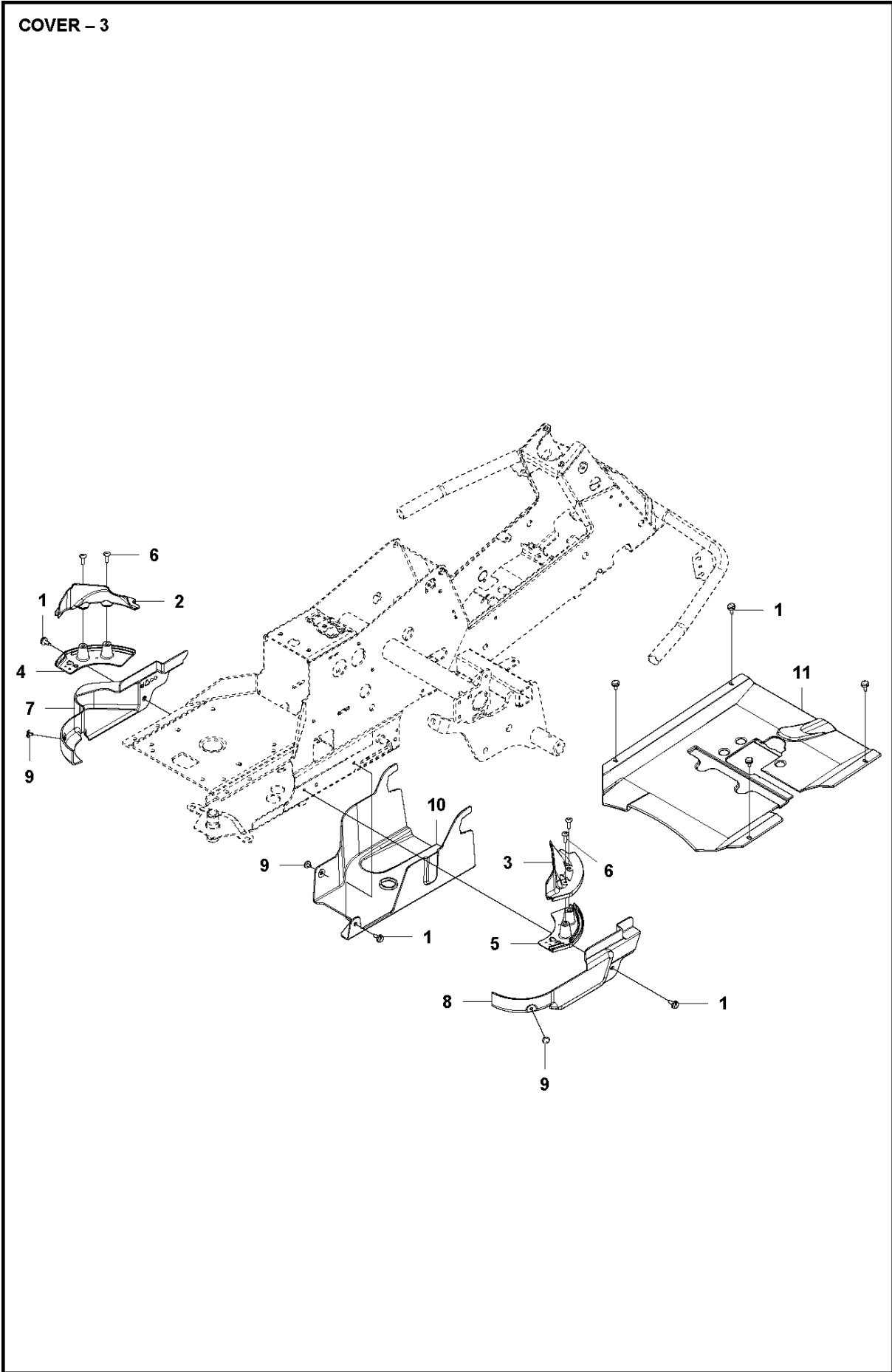
COVER - 2



COVER

R214 T

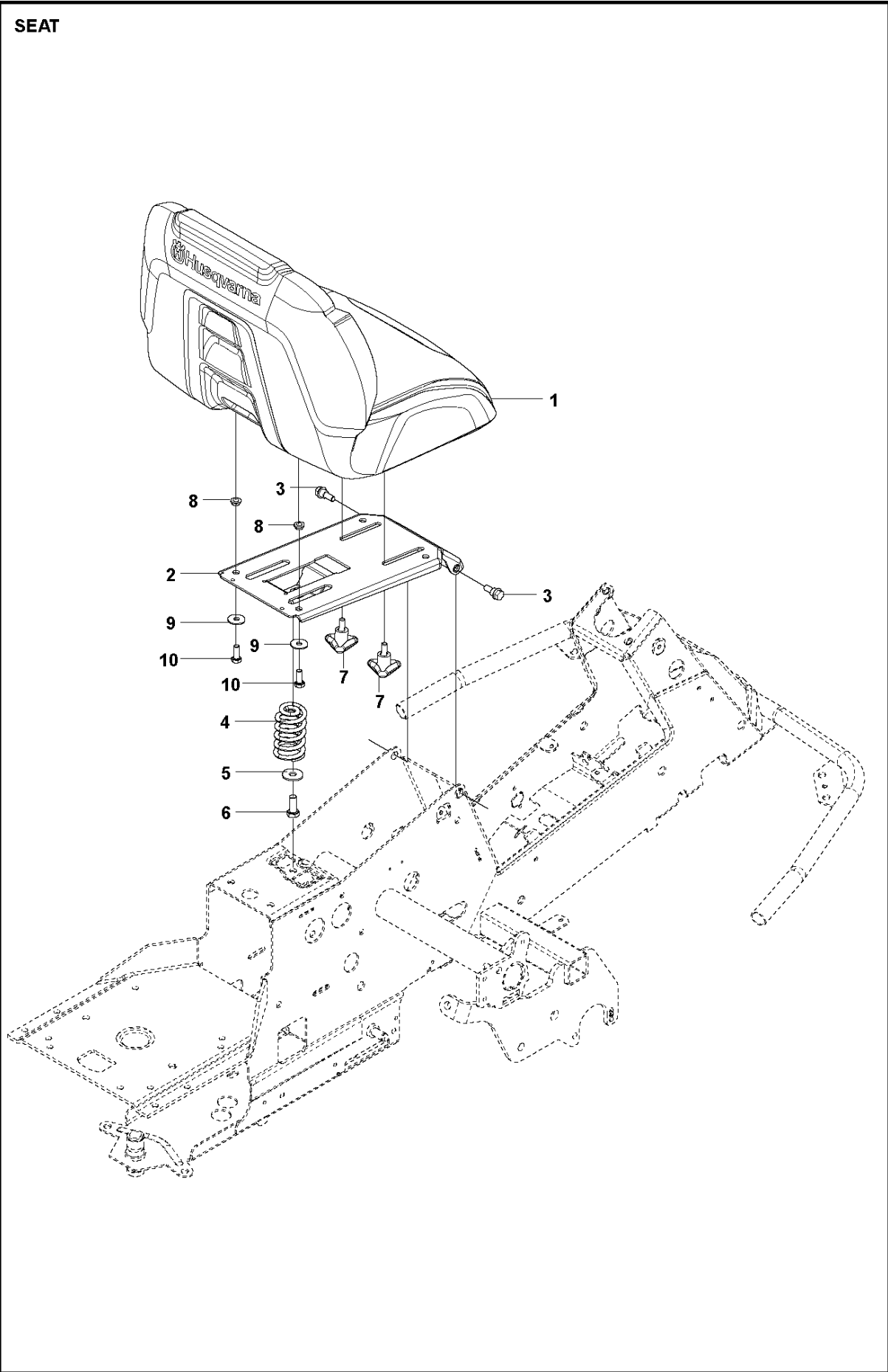
| Ref | Part No | Description | Remark | QTY KIT |
|-----|--------------|---------------|--------|---------|
| 1 | 577 61 58-01 | COVER | | 1 |
| 3 | 577 72 93-01 | FOOT PLATE | | 1 |
| 4 | 577 72 94-01 | FOOT PLATE | | 1 |
| 5 | 577 72 95-01 | FENDER | | 1 |
| 6 | 577 72 96-01 | FENDER | | 1 |
| 7 | 535 42 91-01 | SPRING NUT | | 4 |
| 8 | 544 40 05-01 | SCREW | | 14 |
| 9 | 577 73 75-01 | CONTROL COVER | | 1 |
| 10 | 577 76 45-01 | LOCK NUT | | 1 |
| 11 | 544 23 92-01 | COVER | | 1 |
| 12 | 584 26 01-01 | MAT | | 1 |
| 13 | 578 77 63-01 | UNIT COVER | | 1 |
| 14 | 576 97 34-01 | DECAL | | 1 |



COVER

R214 T

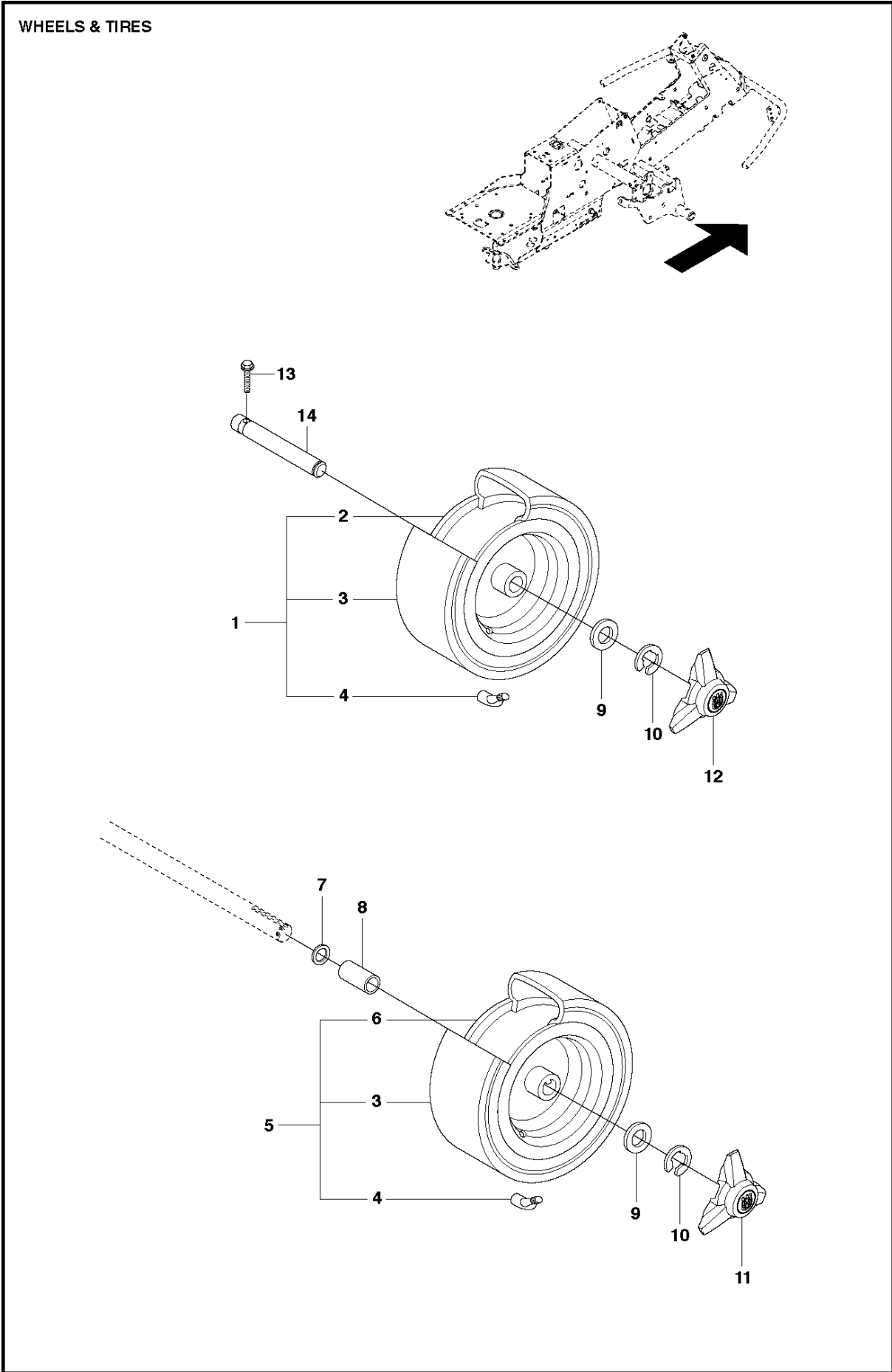
| Ref | Part No | Description | Remark | QTY KIT |
|-----|--------------|--------------|--------|---------|
| 1 | 544 40 05-01 | SCREW | | 7 |
| 2 | 510 22 25-01 | BELT COVER | | 1 |
| 3 | 510 22 25-02 | BELT COVER | | 1 |
| 4 | 510 22 27-01 | BELT COVER | | 1 |
| 5 | 510 22 27-02 | BELT COVER | | 1 |
| 6 | 535 42 58-02 | SCREW IHPANM | | 4 |
| 7 | 510 22 23-03 | BELT COVER | | 1 |
| 8 | 510 22 24-01 | BELT COVER | | 1 |
| 9 | 522 55 73-01 | SCREW | | 3 |
| 10 | 510 44 20-01 | BELT COVER | | 1 |
| 11 | 510 43 62-03 | BELT COVER | | 1 |



SEAT

R214 T

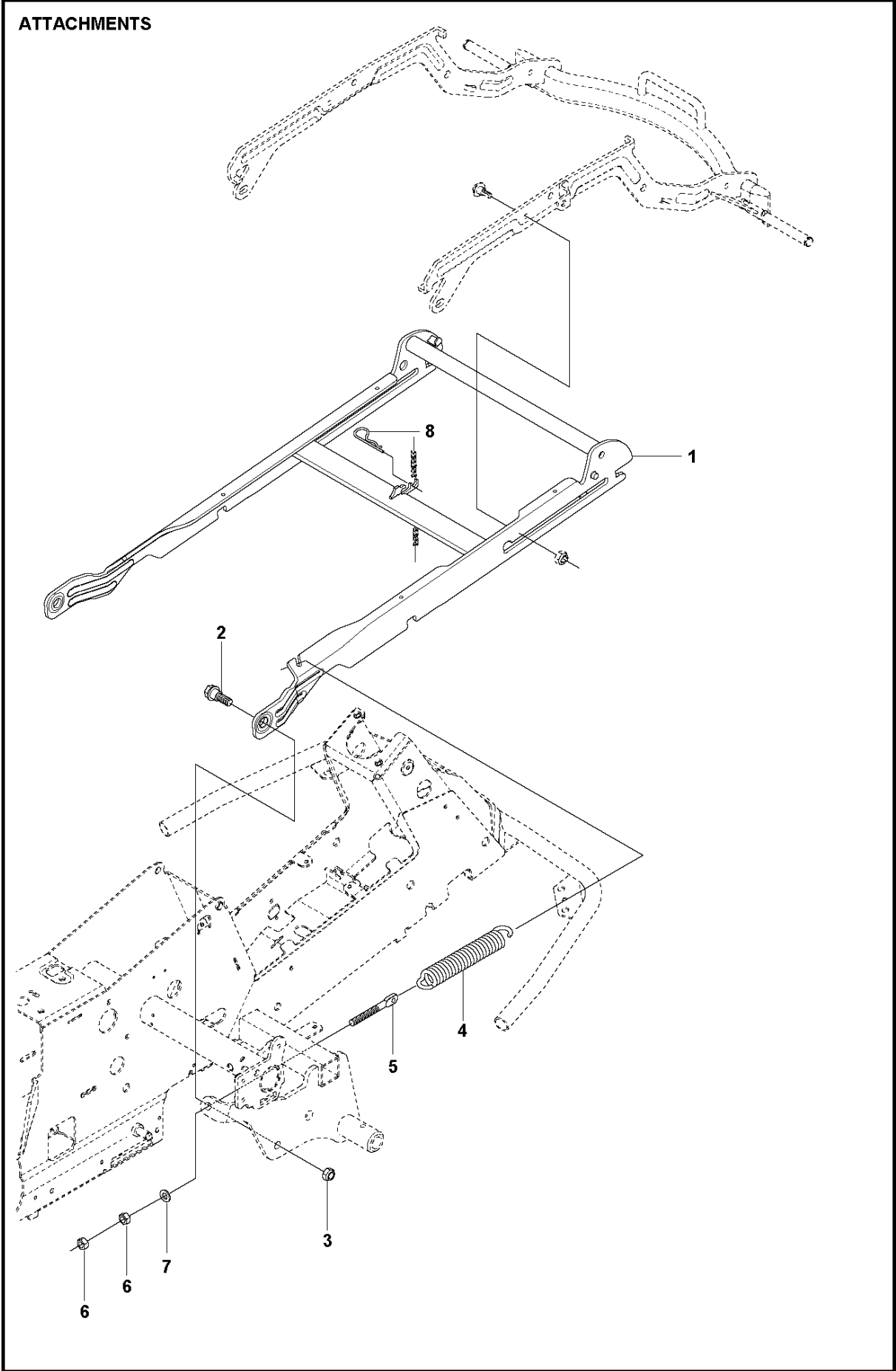
| Ref | Part No | Description | Remark | QTY KIT |
|-----|--------------|--------------------|--------|---------|
| 1 | 589 34 57-01 | SEAT | | 1 |
| 2 | 501 13 15-01 | SEAT BRACKET ASSY | | 1 |
| 3 | 506 59 74-01 | SCREW EHHFM | | 2 |
| 4 | 506 91 53-01 | COMPRESSION SPRING | | 1 |
| 5 | 734 11 74-41 | WASHER | | 1 |
| 6 | 725 24 93-71 | SCREW EHHM | | 1 |
| 7 | 585 06 52-02 | KNOB | | 2 |
| 8 | 506 56 53-01 | BUSHING | | 2 |
| 9 | 734 11 64-41 | WASHER | | 2 |
| 10 | 725 24 51-71 | SCREW EHHM | | 2 |



WHEELS & TIRES

R214 T

| Ref | Part No | Description | Remark | QTY | KIT |
|-----|--------------|----------------|--------|-----|------|
| 1 | 523 01 22-02 | WHEEL | | 2 | |
| 2 | 523 03 45-01 | RIM | | 1 | 1 |
| 3 | 523 03 46-02 | TIRE | | 1 | 1, 5 |
| 4 | 523 03 47-01 | VALVE | | 1 | 1, 5 |
| 5 | 523 01 26-02 | WHEEL | | 2 | |
| 6 | 523 03 48-01 | RIM | | 1 | 5 |
| 7 | 506 50 48-05 | WASHER | | 4 | |
| 8 | 506 59 62-03 | SPACING SLEEVE | | 2 | |
| 9 | 506 50 48-03 | WASHER | | 2 | |
| 10 | 506 89 90-01 | E-CLIP | | 4 | |
| 11 | 544 35 35-01 | HUB CAP | | 2 | |
| 12 | 544 35 35-02 | HUB CAP | | 2 | |
| 13 | 725 24 59-61 | SCREW EHHFT | | 2 | |
| 14 | 535 47 08-01 | WHEEL AXLE | | 2 | |

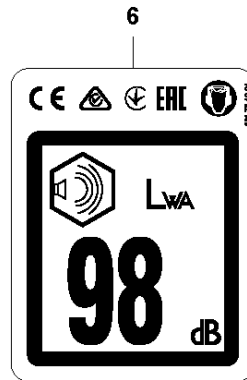
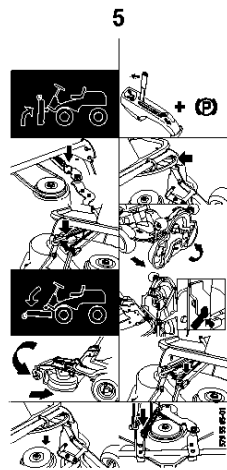
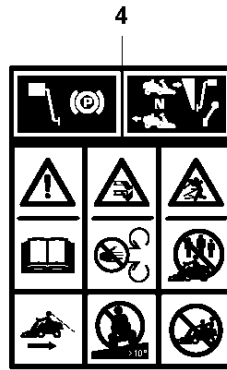
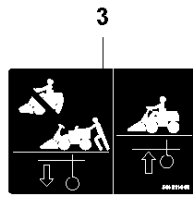
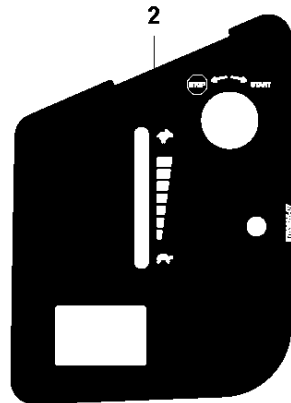
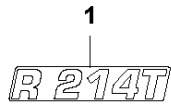


ATTACHMENTS

R214 T

| Ref | Part No | Description | Remark | QTY KIT |
|-----|--------------|---------------------|--------|---------|
| 1 | 578 17 74-01 | EQUIPMENT FRAME | | 1 |
| 2 | 506 89 58-01 | COLLAR SCREW | | 2 |
| 3 | 732 25 22-01 | HEXAGON LOCKING NUT | | 2 |
| 4 | 506 83 76-01 | SPRING | | 2 |
| 5 | 506 83 77-01 | RING BOLT | | 2 |
| 6 | 731 23 20-51 | HEXAGON NUT | | 4 |
| 7 | 734 11 72-01 | WASHER | | 2 |
| 8 | 721 68 02-51 | SPRING COTTER | | 1 |

DECALS

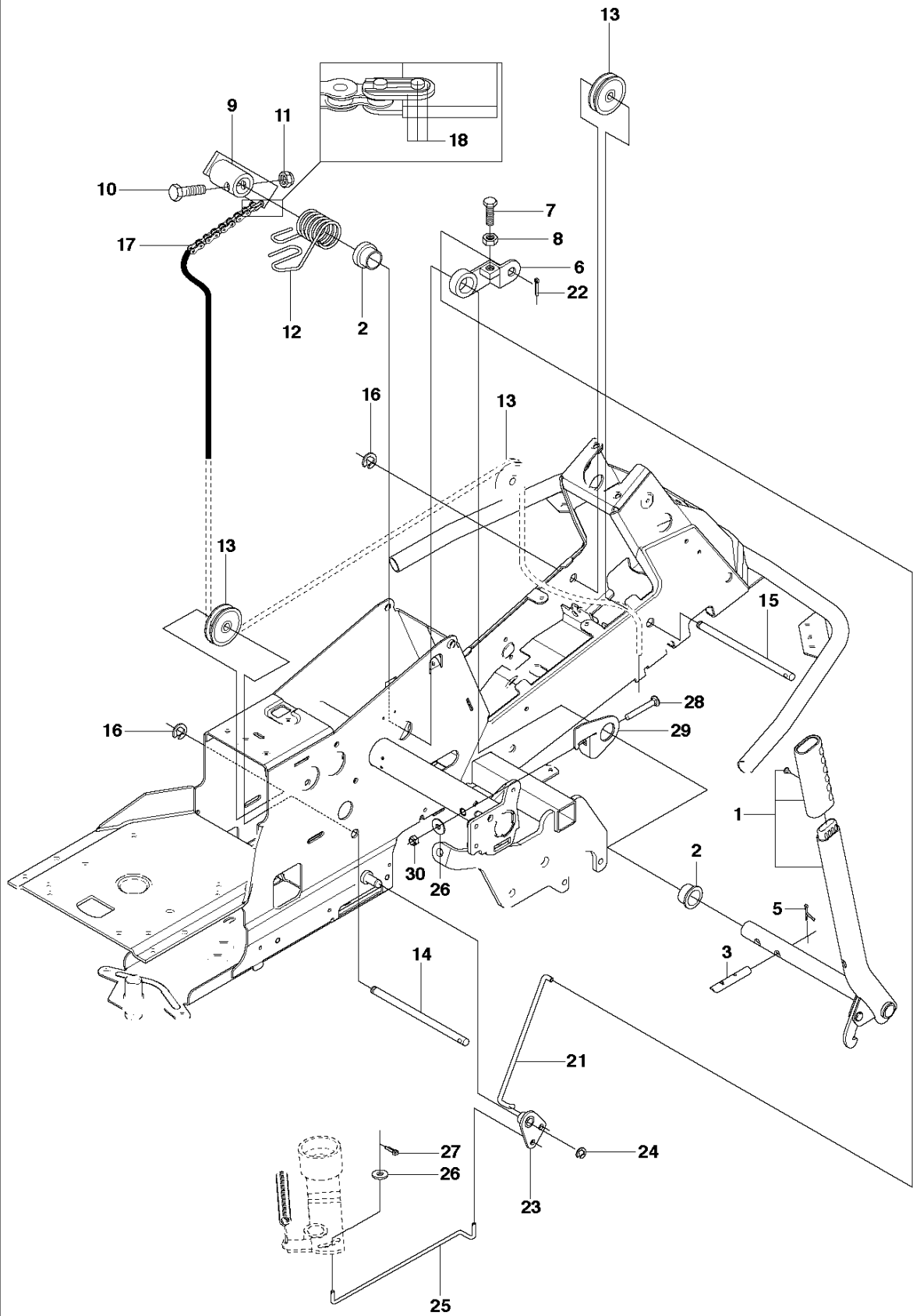


DECALS

R214 T

| Ref | Part No | Description | Remark | QTY KIT |
|-----|--------------|-------------|--------|---------|
| 1 | 578 36 45-14 | DECAL | | 2 |
| 2 | 578 39 25-07 | DECAL | | 1 |
| 3 | 544 21 14-01 | LABEL | | 2 |
| 4 | 582 57 00-01 | LABEL | | 1 |
| 5 | 579 55 65-01 | DECAL | | 1 |
| 6 | 581 78 40-05 | LABEL | | 1 |
| 7 | 577 06 20-01 | DECAL | | 2 |
| 8 | 576 97 34-01 | DECAL | | 1 |

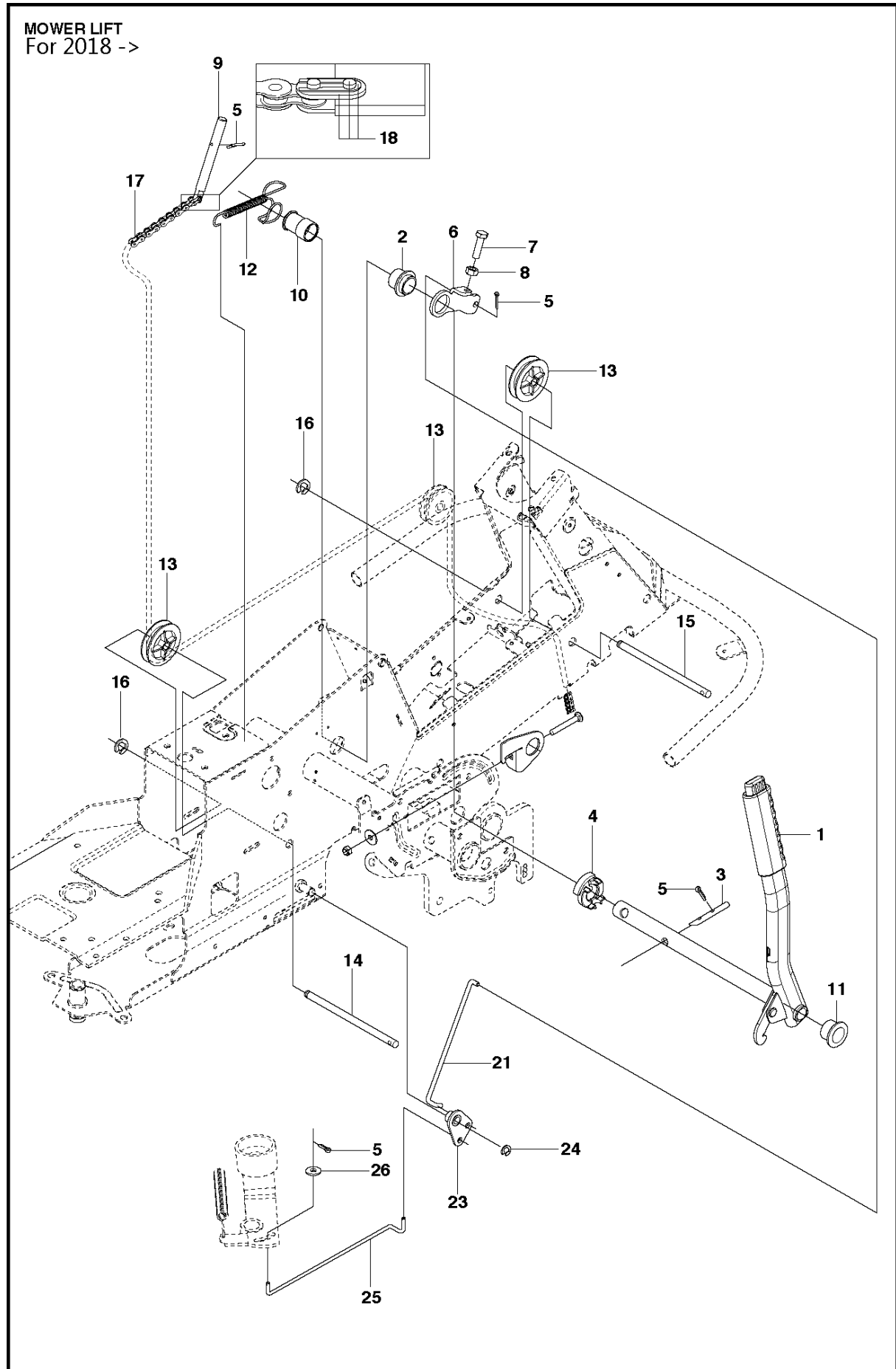
E MOWER LIFT
For 2012 - 2017



MOWER LIFT / DECK LIFT

R214 T

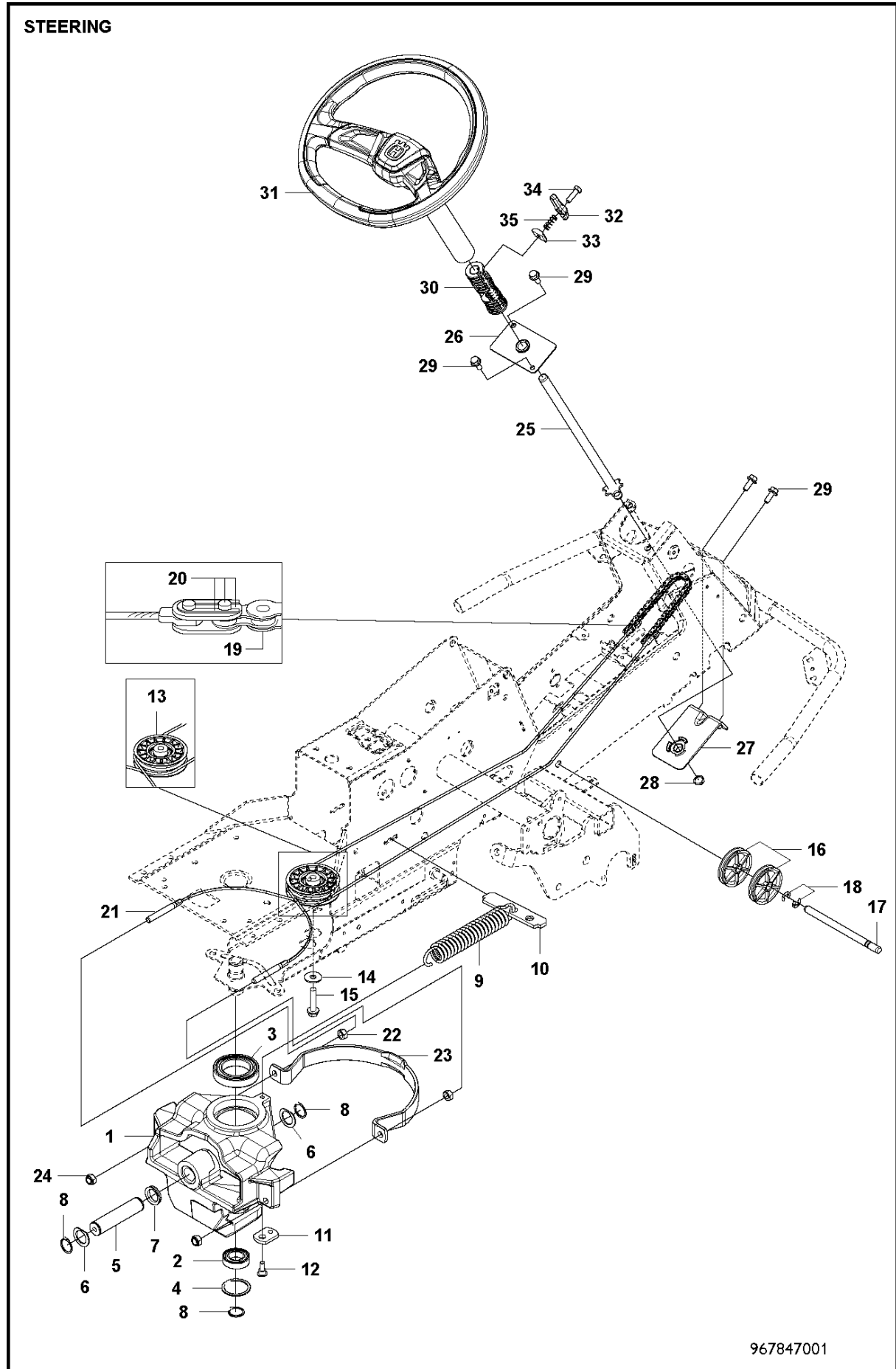
| Ref | Part No | Description | Remark | QTY KIT |
|-----|--------------|---------------------|--------|---------|
| 1 | 577 96 67-01 | LIFTING LEVER ASSY | | 1 |
| 2 | 506 55 65-01 | BEARING | | 1 |
| 3 | 525 40 66-01 | PEN | | 1 |
| 5 | 721 61 83-01 | SPLIT PIN | | 4 |
| 6 | 506 78 43-01 | LINK ASSY | | 1 |
| 7 | 725 24 97-51 | SCREW | | 1 |
| 8 | 731 23 20-51 | HEXAGON NUT | | 1 |
| 9 | 544 43 36-01 | LIFTING ARM | | 1 |
| 10 | 725 25 42-51 | SCREW EHHM | | 1 |
| 11 | 732 25 22-01 | HEXAGON LOCKING NUT | | 1 |
| 12 | 506 91 68-01 | SPRING | | 1 |
| 13 | 506 90 56-01 | OFFSET PULLEY | | 2 |
| 14 | 506 90 57-01 | SHAFT | | 1 |
| 15 | 506 90 57-02 | SHAFT | | 1 |
| 16 | 735 31 18-20 | E-CLIP | | 2 |
| 17 | 506 55 46-07 | CHAIN | | 1 |
| 18 | 506 55 47-01 | LINKAGE | | 1 |
| 21 | 544 45 69-01 | CONNECTION ROD | | 1 |
| 22 | 721 61 83-01 | SPLIT PIN | | 1 |
| 23 | 544 37 86-01 | LINK | | 1 |
| 24 | 735 31 14-20 | E-CLIP | | 1 |
| 25 | 544 44 88-01 | CONNECTION ROD | | 1 |
| 26 | 734 11 64-41 | WASHER | | 1 |
| 27 | 721 61 83-01 | SPLIT PIN | | 1 |
| 28 | 535 42 38-03 | SCREW RSQM | | 1 |
| 29 | 577 99 95-01 | SHEET | | 1 |
| 30 | 732 21 18-01 | LOCK NUT | | 1 |



MOWER LIFT / DECK LIFT

R214 T

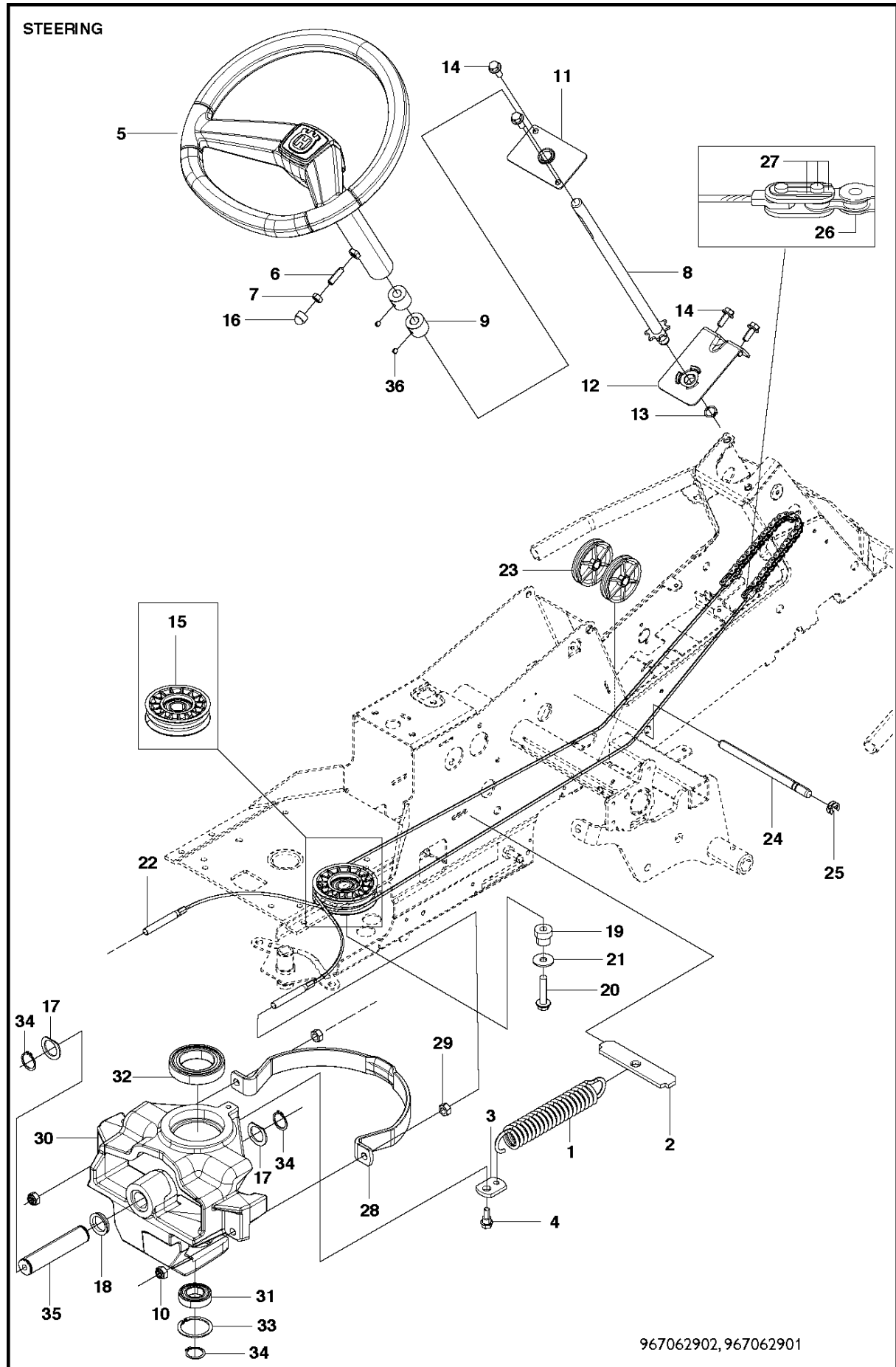
| Ref | Part No | Description | Remark | QTY KIT |
|-----|--------------|--------------------|--------|---------|
| 1 | 501 06 53-01 | LIFTING LEVER ASSY | | 1 |
| 2 | 588 92 69-01 | BEARING | | 1 |
| 3 | 525 40 66-01 | PEN | | 1 |
| 4 | 588 92 71-01 | ANVIL | | 1 |
| 5 | 721 61 83-01 | SPLIT PIN | | 4 |
| 6 | 588 92 70-01 | LIFTING ARM | | 1 |
| 7 | 725 24 97-51 | SCREW | | 1 |
| 8 | 731 23 20-01 | HEXAGON NUT | | 1 |
| 9 | 588 92 74-01 | ROD | | 1 |
| 10 | 588 92 73-01 | ANVIL | | 1 |
| 11 | 584 87 13-01 | BEARING | | 1 |
| 12 | 588 92 75-01 | SPRING | | 1 |
| 13 | 506 90 56-01 | OFFSET PULLEY | | 2 |
| 14 | 582 87 19-01 | SHAFT | | 1 |
| 15 | 582 87 19-02 | SHAFT | | 1 |
| 16 | 735 31 18-20 | E-CLIP | | 2 |
| 17 | 506 55 46-09 | CHAIN | | 1 |
| 18 | 506 55 47-01 | LINKAGE | | 1 |
| 21 | 544 45 69-01 | CONNECTION ROD | | 1 |
| 23 | 544 37 86-01 | LINK | | 1 |
| 24 | 735 31 14-20 | E-CLIP | | 1 |
| 25 | 544 44 88-01 | CONNECTION ROD | | 1 |
| 26 | 734 11 64-41 | WASHER | | 1 |
| 26 | 734 11 64-41 | WASHER | | 1 |



STEERING

R214 T

| Ref | Part No | Description | Remark | QTY KIT |
|-----|--------------|-----------------|--------|---------|
| 1 | 577 65 93-01 | SPINDLE | | 1 |
| 2 | 738 21 05-04 | BALL BEARING | | 1 |
| 3 | 738 21 10-04 | BALL BEARING | | 1 |
| 4 | 735 31 40-10 | CIRCLIP | | 1 |
| 5 | 506 98 59-01 | SWING AXLE | | 1 |
| 6 | 506 77 34-01 | WASHER | | 2 |
| 7 | 740 68 14-21 | V-RING | | 1 |
| 8 | 735 31 26-00 | CIRCLIP | | 3 |
| 9 | 506 67 19-01 | SPRING | | 1 |
| 10 | 590 73 54-01 | SPRING RETAINER | | 1 |
| 11 | 506 67 08-01 | LINK | | 1 |
| 12 | 506 59 74-01 | SCREW EHHFM | | 1 |
| 13 | 576 49 25-01 | PULLEY | | 1 |
| 14 | 734 11 74-41 | WASHER | | 1 |
| 15 | 506 67 54-03 | SCREW EHHFM | | 1 |
| 16 | 506 52 24-01 | STARTER PULLEY | | 2 |
| 17 | 506 53 94-04 | SHAFT | | 1 |
| 18 | 735 31 14-20 | E-CLIP | | 2 |
| 19 | 506 55 46-01 | CHAIN | | 1 |
| 20 | 506 55 47-01 | LINKAGE | | 2 |
| 21 | 501 60 48-04 | CABLE ASSY | | 2 |
| 22 | 731 23 20-01 | HEXAGON NUT | | 2 |
| 23 | 544 42 73-01 | WIRE GUIDE | | 1 |
| 24 | 732 21 20-51 | NUT | | 2 |
| 25 | 593 94 72-01 | STEERING ROD | | 1 |
| 26 | 584 15 56-01 | BRACKET | | 1 |
| 27 | 583 89 97-01 | BRACKET | | 1 |
| 28 | 735 31 17-00 | CIRCLIP | | 1 |
| 29 | 506 57 01-04 | SCREW EHHFM | | 4 |
| 30 | 587 08 09-01 | DRIVER | | 1 |
| 31 | 593 16 61-04 | STEERING WHEEL | | 1 |
| 32 | 593 14 95-01 | HANDLE | | 1 |
| 33 | 593 60 52-01 | FIXING PLATE | | 1 |
| 34 | 593 14 94-01 | PIN | | 1 |
| 35 | 593 86 88-01 | SPRING | | 1 |



STEERING

R214 T

| Ref | Part No | Description | Remark | QTY KIT |
|-----|--------------|------------------|--------|---------|
| 1 | 506 67 19-01 | SPRING | | 1 |
| 2 | 506 57 63-01 | SPRING RETAINER | | 1 |
| 3 | 506 67 08-01 | LINK | | 1 |
| 4 | 506 59 74-01 | SCREW EHHFM | | 1 |
| 5 | 577 96 04-02 | STEERING WHEEL | | 1 |
| 6 | 728 74 55-05 | SCREW IHSETM | | 1 |
| 7 | 731 23 18-01 | HEXAGON NUT | | 1 |
| 8 | 583 89 99-01 | STEERING ROD | | 1 |
| 9 | 506 86 34-01 | DRIVER | | 2 |
| 10 | 732 21 20-51 | NUT | | 2 |
| 11 | 584 15 56-01 | BRACKET | | 1 |
| 12 | 583 89 97-01 | BRACKET | | 1 |
| 13 | 735 31 17-00 | CIRCLIP | | 1 |
| 14 | 506 57 01-04 | SCREW EHHFM | | 4 |
| 15 | 576 49 25-01 | PULLEY | | 1 |
| 16 | 544 43 32-01 | PROTECTIVE COVER | | 1 |
| 17 | 506 77 34-01 | WASHER | | 2 |
| 18 | 740 68 14-21 | V-RING | | 1 |
| 19 | 576 48 73-01 | BUSHING | | 1 |
| 20 | 506 67 54-03 | SCREW EHHFM | | 1 |
| 21 | 734 11 74-41 | WASHER | | 1 |
| 22 | 577 19 99-04 | WIRE ASSY | | 2 |
| 23 | 506 52 24-01 | STARTER PULLEY | | 2 |
| 24 | 506 53 94-04 | SHAFT | | 1 |
| 25 | 735 31 14-20 | E-CLIP | | 2 |
| 26 | 506 55 46-01 | CHAIN | | 1 |
| 27 | 506 55 47-01 | LINKAGE | | 2 |
| 28 | 544 42 73-01 | WIRE GUIDE | | 1 |
| 29 | 731 23 20-01 | HEXAGON NUT | | 2 |
| 30 | 577 65 93-01 | SPINDLE | | 1 |
| 31 | 738 21 05-04 | BALL BEARING | | 1 |
| 32 | 738 21 10-04 | BALL BEARING | | 1 |
| 33 | 735 31 40-10 | CIRCLIP | | 1 |
| 34 | 735 31 26-00 | CIRCLIP | | 3 |
| 35 | 506 98 59-01 | SWING AXLE | | 1 |
| 36 | 728 84 43-05 | SCREW IHSETM | | 2 |