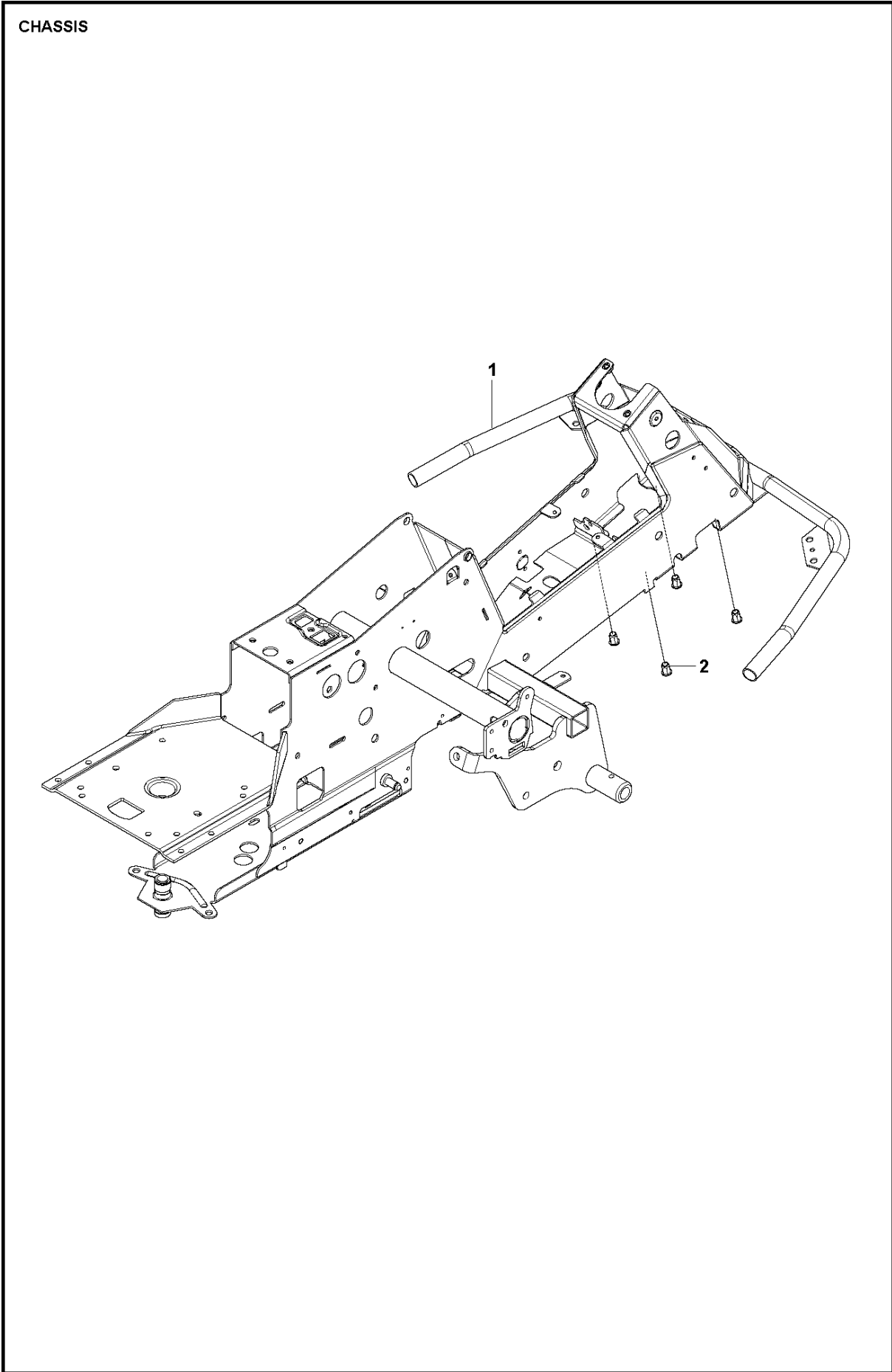




SPARE PARTS LIST

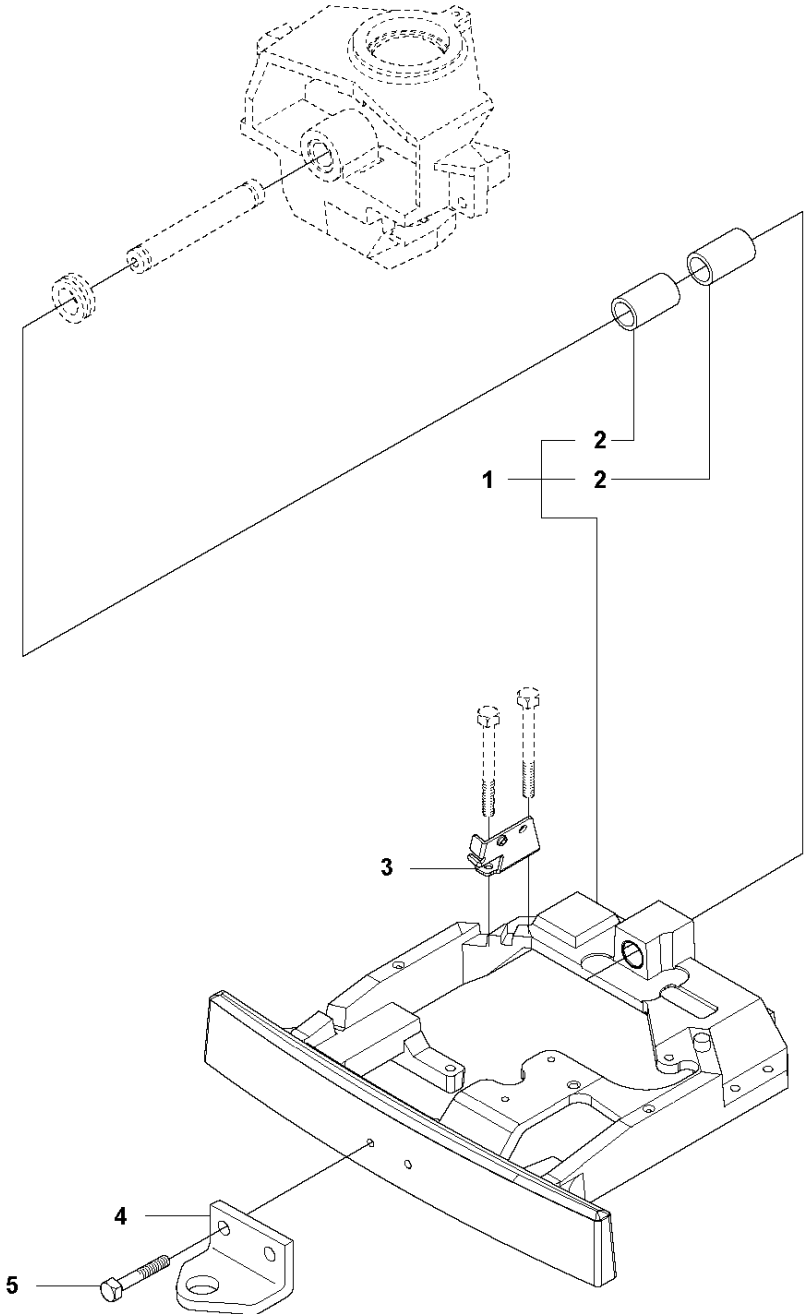
RIDERS

R216



Ref	Part No	Description	Remark	QTY KIT
1	594 92 14-02	CHASSIS		1
2	506 91 62-01	NUT		4

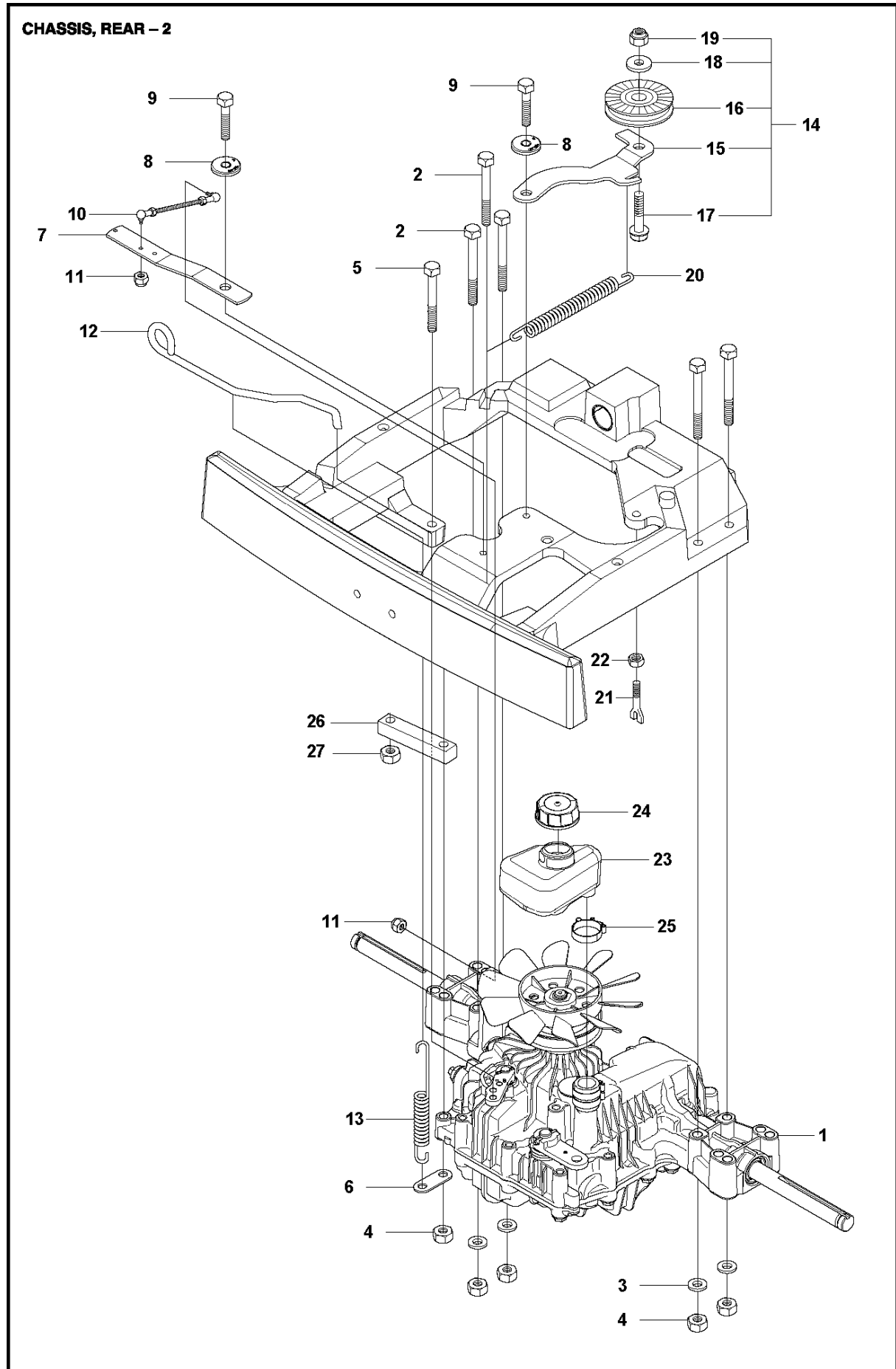
CHASSIS, REAR - 1



CHASSIS REAR

R216

Ref	Part No	Description	Remark	QTY	KIT
1	582 24 46-01	BRACKET		1	
2	506 98 61-02	GLIDLAGER		2	1
3	506 98 77-01	BRACKET		1	
4	506 88 99-01	HITCH		1	
5	725 24 93-71	SCREW EHHM		2	

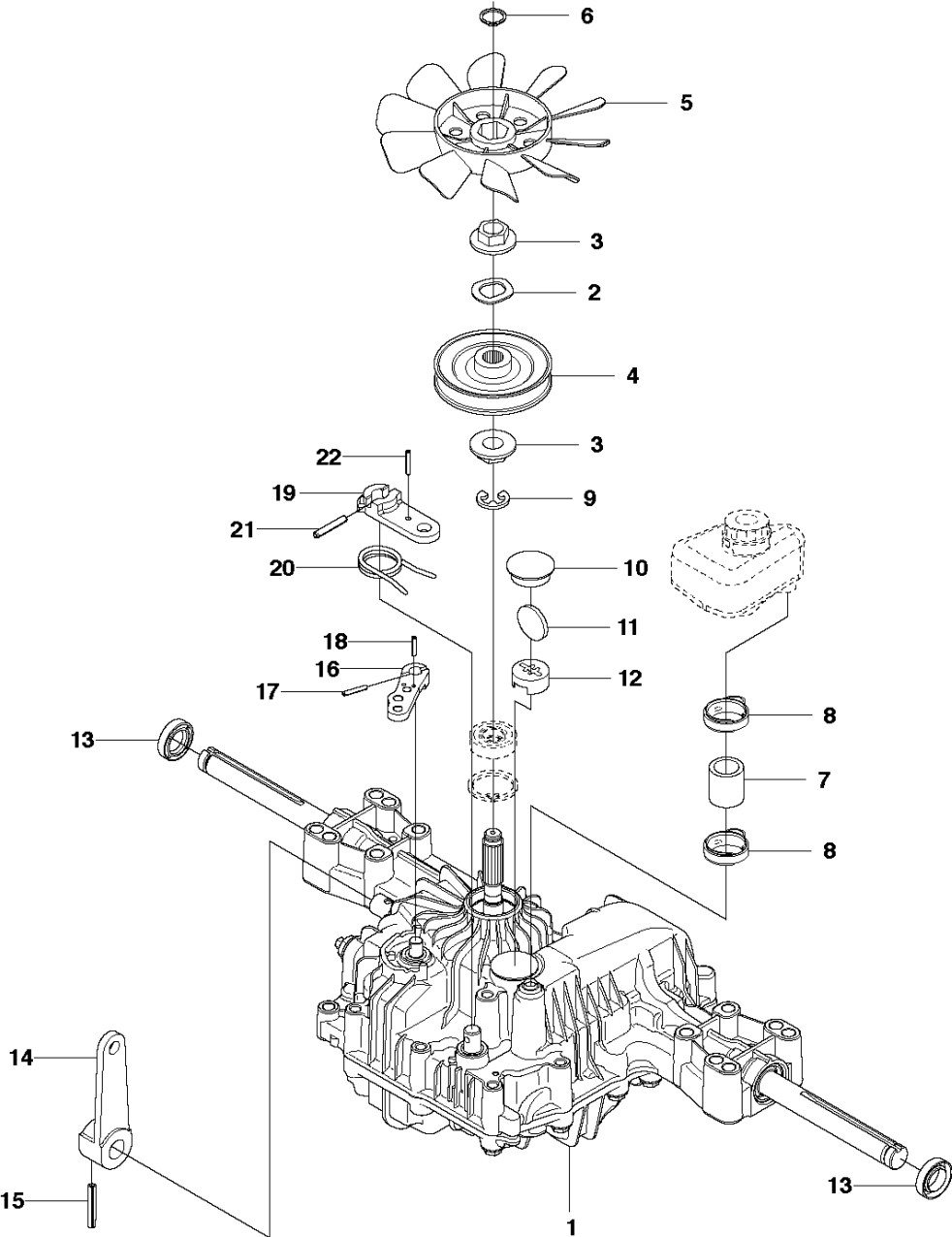


CHASSIS REAR

R216

Ref	Part No	Description	Remark	QTY	KIT
1	506 98 63-01	TRANSMISSION		1	
2	725 24 67-51	SCREW EHHM		5	
3	734 11 64-01	WASHER		4	
4	731 23 18-01	HEXAGON NUT		5	
5	725 24 62-51	SCREW EHHM	For 967846702, 967291102, 967291101	1	
5	725 24 59-51	SCREW EHHM	For 967291101, 967150601, 966757001	1	
6	506 59 93-01	LINK		1	
7	579 59 68-01	LEVER		1	
8	584 28 86-04	WASHER		2	
8	506 91 87-02	WASHER	For 967291101, 967150601, 966757001	1	
9	725 24 51-71	SCREW EHHM	For 967846702, 967291102, 967291101	2	
9	725 24 51-71	SCREW EHHM	For 967291101, 967150601, 966757001	1	
10	506 98 75-01	ADJUSTMENT ROD		1	
11	732 21 14-01	LOCK NUT		2	
12	506 98 82-01	FRIKOPPLINGSSTÅNG		1	
13	506 83 43-01	SPRING		1	
14	506 98 84-01	BELT TENSIONER ASSY		1	
15	588 74 04-01	BELT TENSIONER		1	14
16	506 94 69-01	PULLEY		1	14
17	725 24 55-71	SCREW EHHM		1	14
18	734 11 64-41	WASHER		1	14
19	732 21 18-01	LOCK NUT		1	14
20	506 98 86-01	SPRING		1	
21	506 98 88-01	PENDULUM		1	
22	731 23 20-01	HEXAGON NUT		1	
23	506 98 90-01	EXPANSION TANK		1	
24	590 32 47-01	TANK CAP ASSY	For 967846702, 967291102, 967291101	1	
24	506 98 80-01	TANK CAP ASSY	For 967291101, 967150601, 966757001	1	
25	505 13 11-02	HOSE CLAMP		1	
26	506 98 72-01	MOMENTFÄSTE	For 967291101, 967150601, 966757001	1	
27	731 23 18-01	HEXAGON NUT	For 967291101, 967150601, 966757001	1	

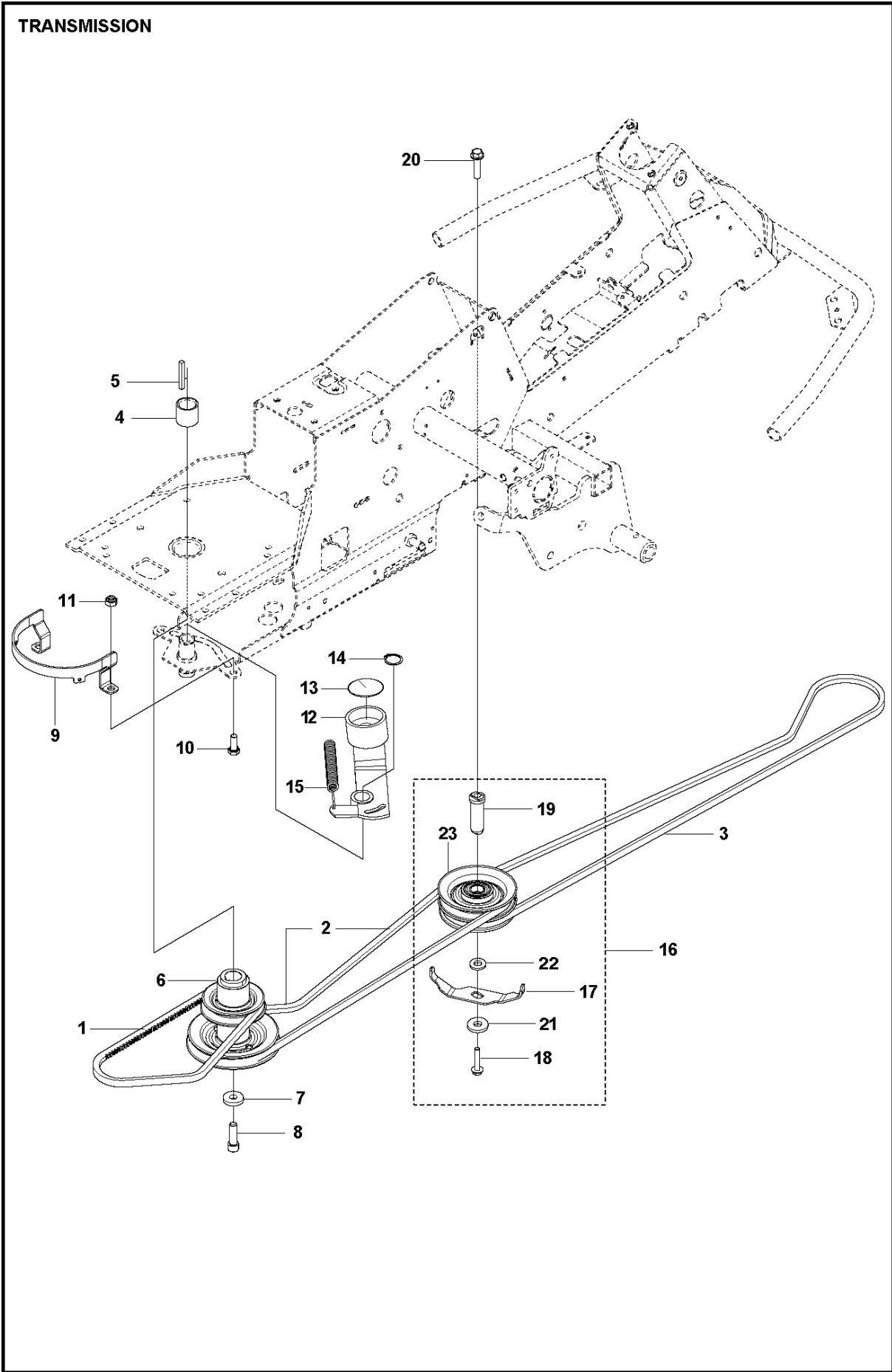
HYDROSTAT K46 EU



TRANSMISSION

R216

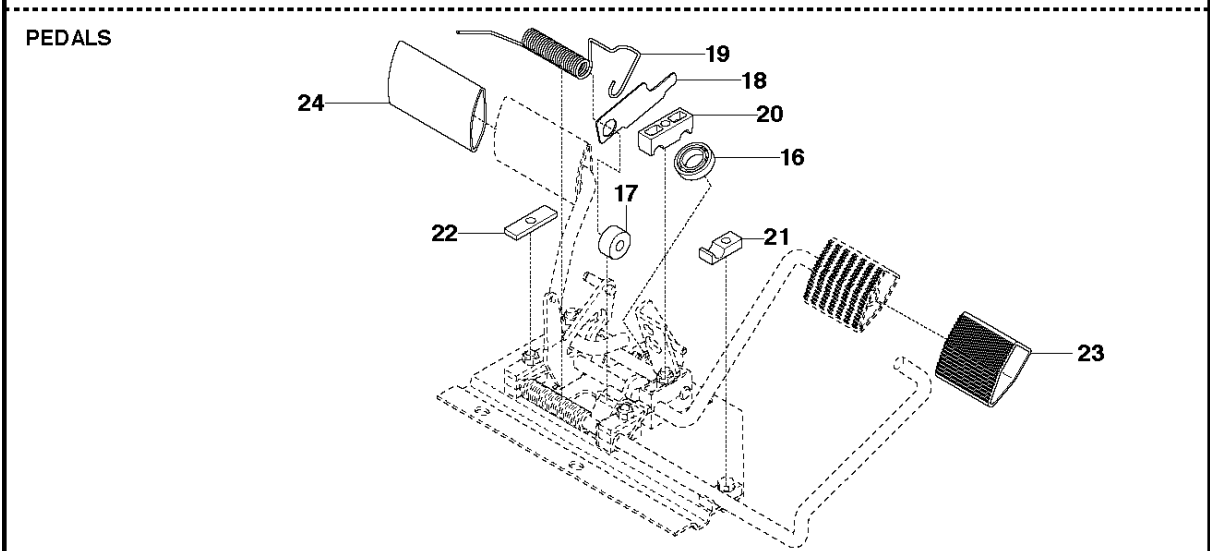
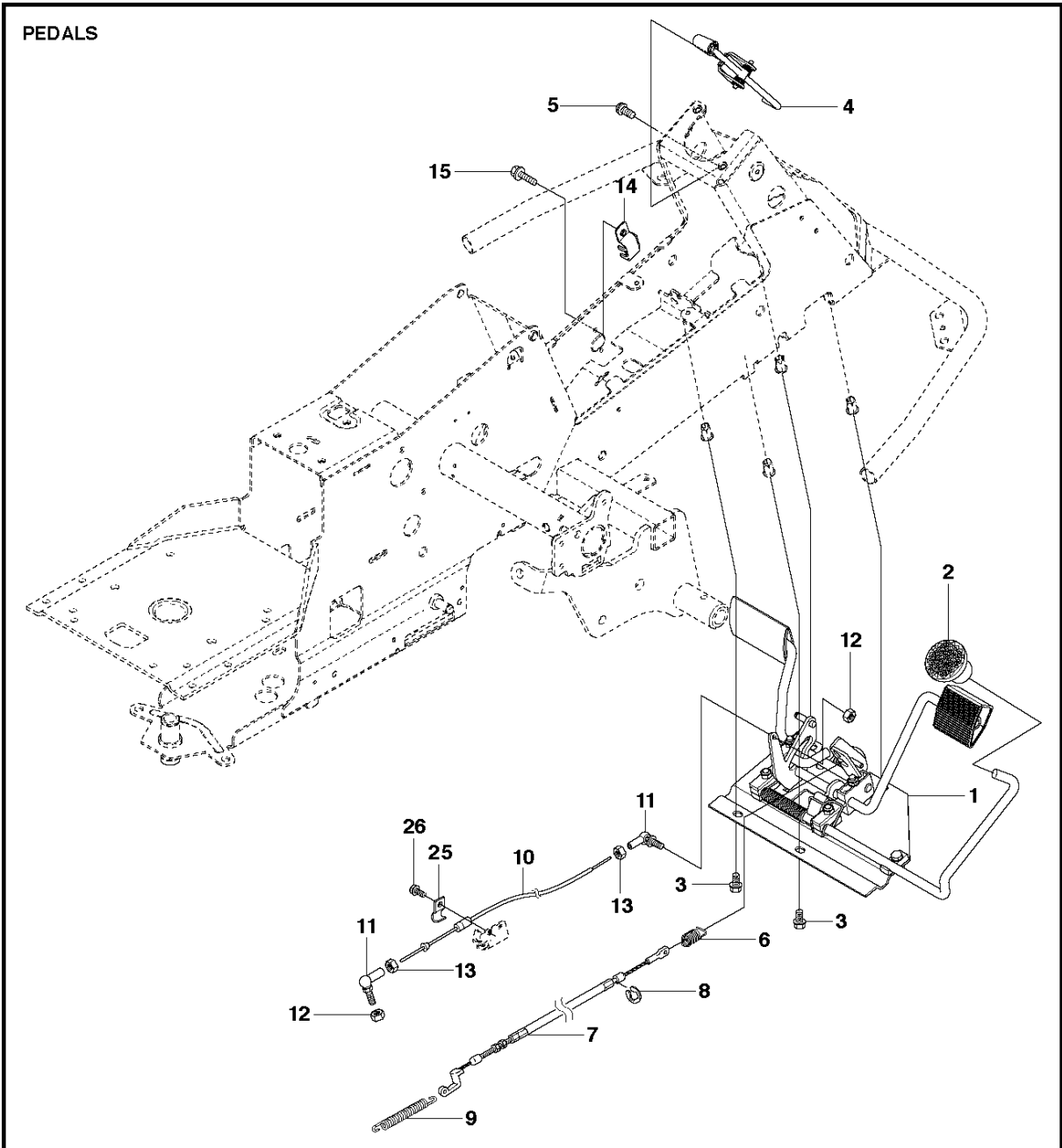
Ref	Part No	Description	Remark	QTY KIT	
1	506 98 63-01	TRANSMISSION		1	
2	506 98 65-01	SPRING WASHER		1	
3	506 98 66-01	DISTANCE		2	
4	502 45 19-01	PULLEY		1	
5	506 98 68-01	FAN		1	
6	735 31 15-00	CIRCLIP		1	
7	502 45 16-01	TUBE		1	
8	505 13 11-02	HOSE CLAMP		2	
9	535 40 28-07	CLIP		1	1
10	535 40 28-32	PLUG		1	1
11	505 56 39-01	MAGNET		1	1
12	502 45 20-01	MAGNET HOLDER		1	1
13	535 40 28-37	SEALING		2	1
14	502 45 32-01	CONTROL LEVER		1	1
15	586 90 46-01	PEN		1	1
16	535 40 28-17	LEVER		1	1
17	586 90 45-01	SPRING PIN		1	1
18	535 40 28-33	PIN RETAINING SCREW		1	1
19	535 40 28-38	LEVER		1	1
20	535 40 28-39	RETURN SPRING		1	1
21	535 40 28-40	PIN RETAINING SCREW		1	1
22	535 40 28-41	PIN RETAINING SCREW		1	1



TRANSMISSION

R216

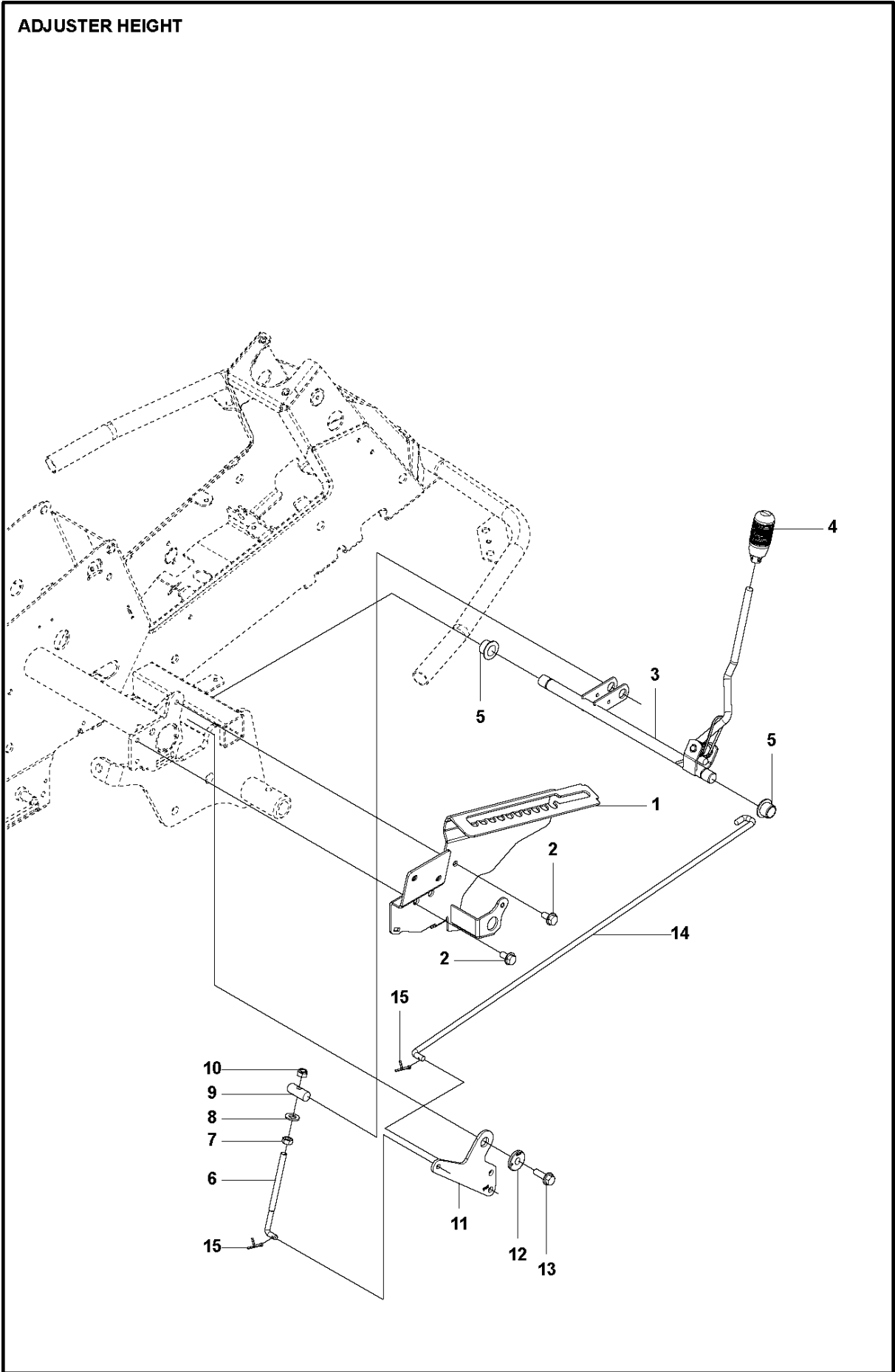
Ref	Part No	Description	Remark	QTY	KIT
1	589 53 12-01	BELT		1	
2	589 53 04-01	BELT		1	
3	594 97 78-01	BELT	For 967846702	1	
3	589 53 00-01	BELT	For 967291102, 967291101, 967150601, 966757001	1	
4	506 50 92-01	SPACING SLEEVE		1	
5	506 55 59-01	WEDGE		1	
6	535 48 24-01	PULLEY		1	
7	506 59 75-01	WASHER		1	
8	506 55 60-02	SCREW UNC		1	
9	587 42 52-01	BELT GUIDE	For 967846702	1	
9	506 66 45-01	BELT GUIDE	For 967291102, 967291101, 967150601, 966757001	1	
10	725 24 93-71	SCREW EHHM		2	
11	732 21 20-51	NUT		2	
12	535 48 44-01	BELT TENSIONER ASSY		1	
13	535 48 50-01	SEALING		1	
14	735 31 26-00	CIRCLIP		1	
15	506 66 56-01	SPRING		1	
16	581 91 63-01	PULLEY		1	
17	544 40 53-01	BELT GUIDE		1	16
18	586 32 04-01	SCREW		1	16
19	581 91 64-01	SHAFT		1	16
20	506 67 54-02	SCREW EHHFM	For 967846702, 967291102, 967291101	1	
20	506 57 01-05	SCREW EHHFM	For 967150601, 966757001	1	
21	506 77 57-01	WASHER	For 967150601, 966757001	1	
22	506 59 75-01	WASHER	For 967150601, 966757001	1	
23	535 48 22-01	PULLEY		1	



PEDALS

R216

Ref	Part No	Description	Remark	QTY KIT
1	586 96 93-01	PEDAL PLATE ASSY		1
2	586 72 74-01	KNOB		1
3	506 57 01-04	SCREW EHHFM		4
4	544 40 31-01	BRAKE LEVER ASSY		1
5	725 23 64-61	SCREW EHHFT		2
6	506 94 63-01	BRAKE SPRING		1
7	506 99 27-01	BRAKE WIRE		1
8	735 31 09-20	E-CLIP		1
9	506 53 56-03	DRAW SPRING		1
10	574 41 11-01	CONTROL CABLE		1
11	578 77 68-01	BALL JOINT		2
12	732 21 16-01	LOCK NUT		2
13	731 23 14-01	HEXAGON NUT		2
14	522 43 08-01	BRACKET		1
15	725 23 64-61	SCREW EHHFT		1
16	738 21 02-04	BALL BEARING		1
17	535 48 02-01	ROLLER		1
18	535 48 06-01	PROTECTIVE PLATE		1
19	535 48 07-01	SPRING		1
20	535 48 08-01	BEARING SUPPORT		4
21	535 48 09-01	BEARING SUPPORT		1
22	535 48 10-01	REINFORCEMENT PLATE		1
23	586 96 64-01	PEDAL		1
24	586 96 64-02	PEDAL		1
25	506 56 65-01	CLIP		1
26	725 23 64-61	SCREW EHHFT		1

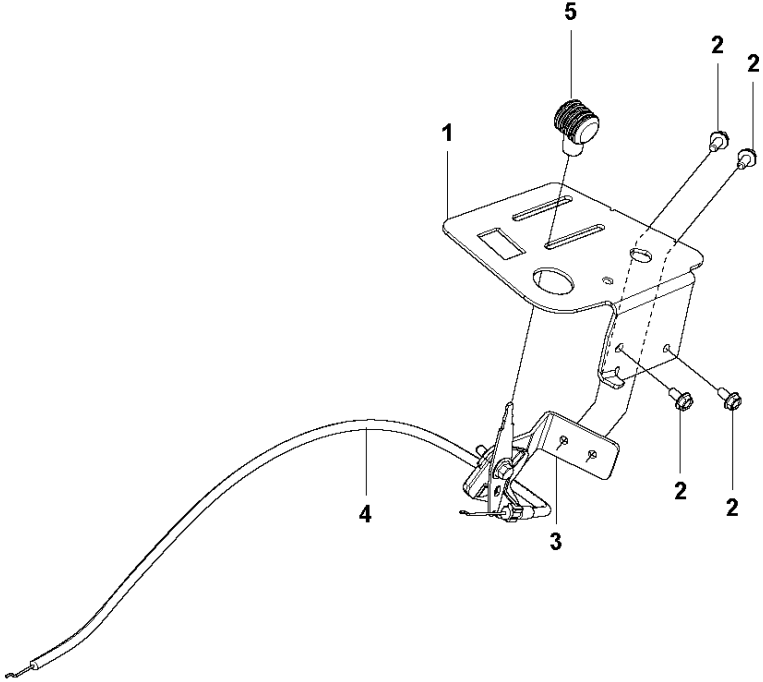


HEIGHT ADJUSTMENT

R216

Ref	Part No	Description	Remark	QTY KIT
1	594 70 13-02	BRACKET	For 967846702	1
1	578 00 13-02	BRACKET	For 967291102, 967291101, 967150601, 966757001	1
2	506 57 01-03	SCREW EHHFM		2
3	577 99 99-01	ADJUSTER		1
4	588 16 41-01	HANDLE		1
5	584 87 13-02	BEARING		2
6	506 90 82-01	HEIGHT ROD	For 967846702	1
6	506 90 82-01	HEIGHT ROD	For 967291102, 967291101, 967150601, 966757001	1
7	731 23 18-01	HEXAGON NUT		1
8	734 11 72-01	WASHER		1
9	506 78 46-01	PEN		1
10	732 21 18-01	LOCK NUT		1
11	578 04 07-01	LINK		1
12	584 28 86-04	WASHER	For 967846702	1
12	506 91 87-02	WASHER	For 967291102, 967291101, 967150601, 966757001	1
13	506 57 01-05	SCREW EHHFM		1
14	544 22 70-01	CONNECTION ROD	For 967846702	1
14	544 22 70-01	CONNECTION ROD	For 967291102, 967291101, 967150601, 966757001	1
15	721 61 83-01	SPLIT PIN		2

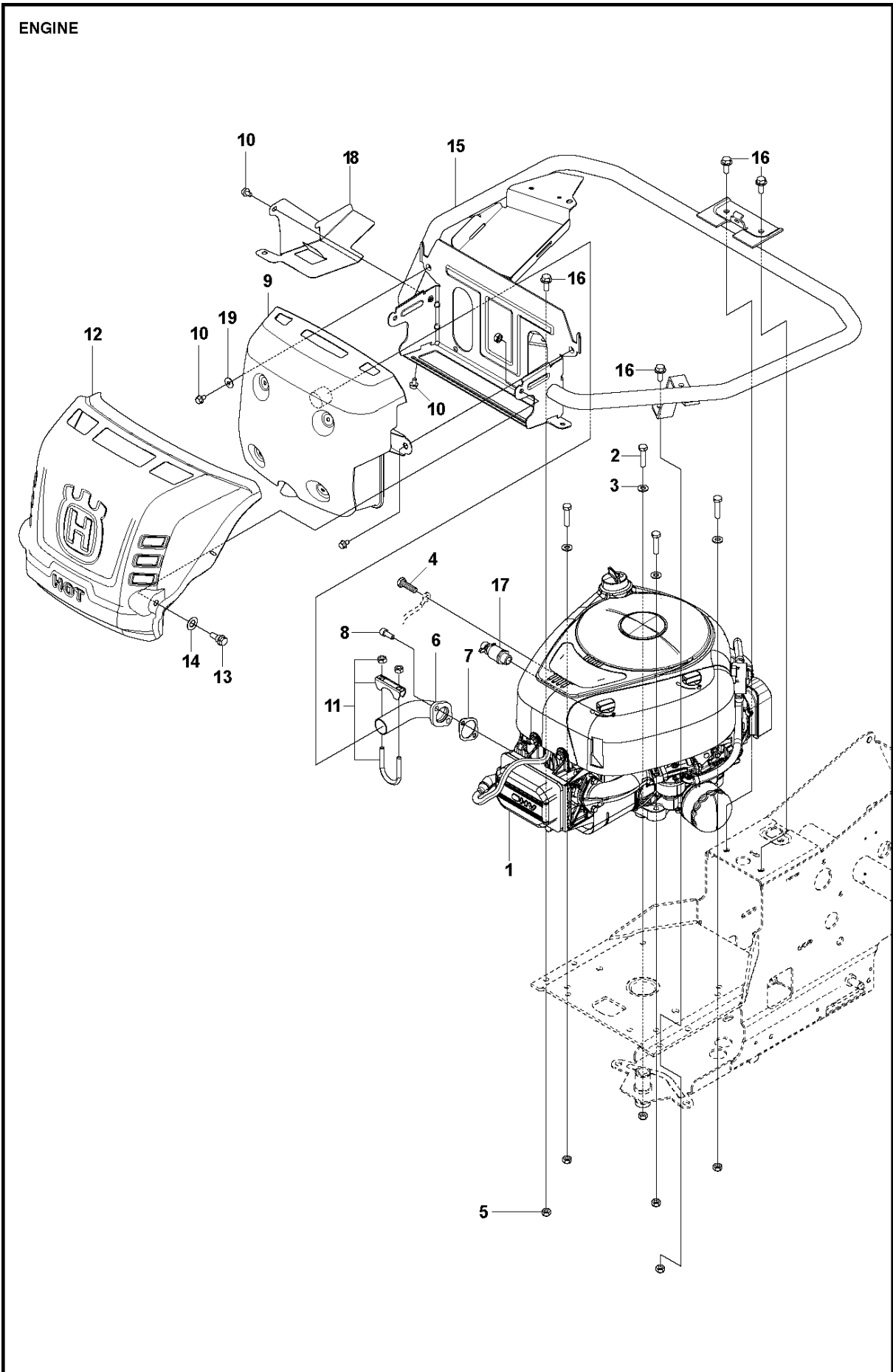
CONTROL UNIT



CONTROLS

R216

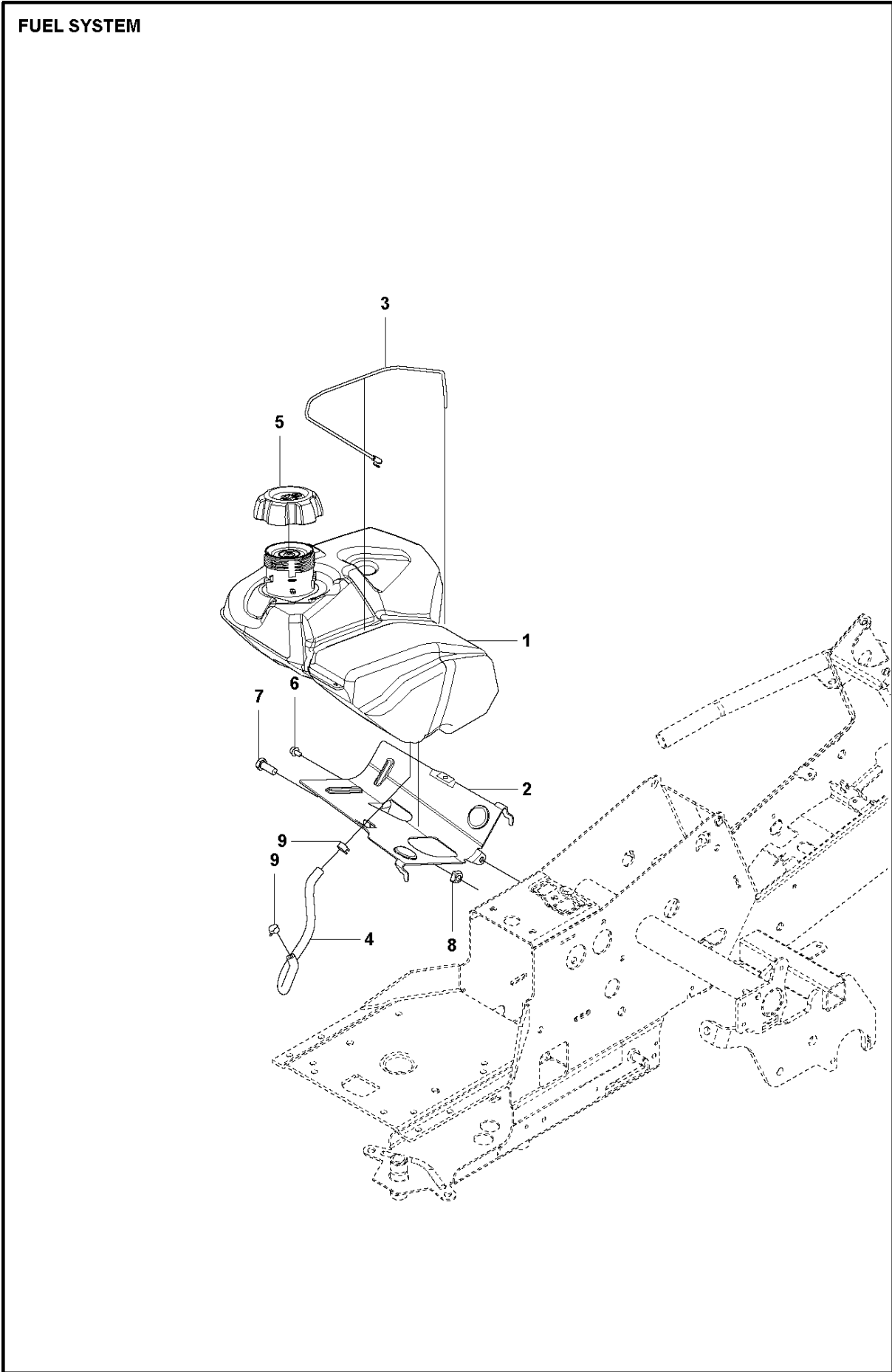
Ref	Part No	Description	Remark	QTY KIT
1	578 03 31-01	SUPPORT		1
2	535 47 52-12	SCREW EHHFM		4
3	578 02 35-01	THROTTLE CONTROL		1
4	544 30 17-01	WIRE		1
5	506 88 91-01	KNOB		1



ENGINE

R216

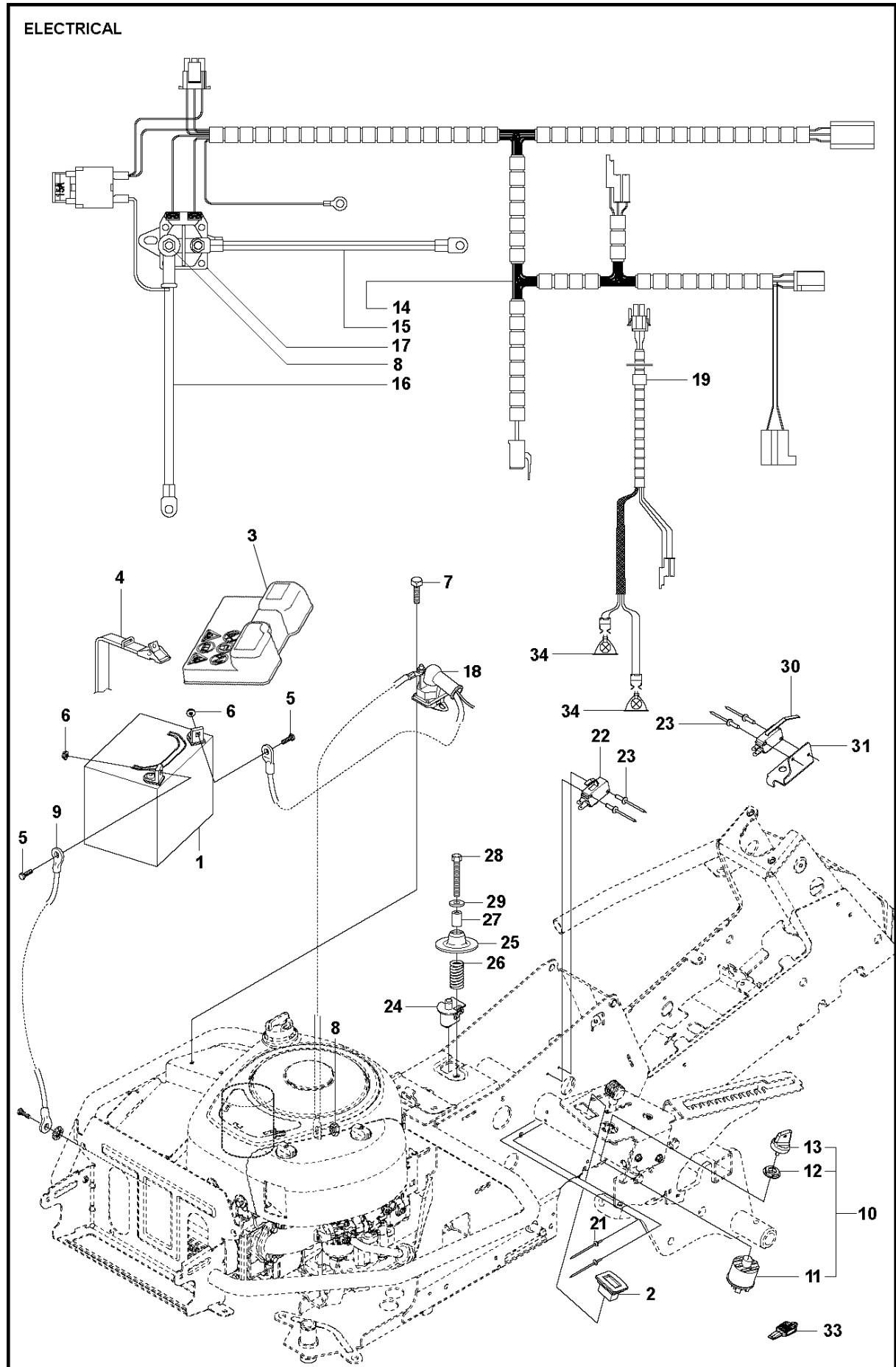
Ref	Part No	Description	Remark	QTY KIT
1	591 07 48-01	ENGINE		1
2	725 24 57-51	SCREW		4
3	734 11 64-01	WASHER		4
4	506 55 63-02	SCREW UNC		1
5	732 21 18-01	LOCK NUT		6
6	578 05 48-03	EXHAUST PIPE	For 967291101, 967150601	1
6	578 05 48-02	EXHAUST PIPE	For 967846702, 967291102	1
6	578 05 48-02	EXHAUST PIPE	For 966757001	1
7	506 91 45-01	GASKET		1
8	506 55 63-01	SCREW UNC		2
9	577 81 36-01	MUFFLER		1
10	725 23 64-61	SCREW EHHFT		4
11	501 15 22-01	CLAMP ASSY		1
12	577 81 85-02	HEAT SHIELD		1
13	506 59 74-01	SCREW EHHFM		2
14	506 83 94-01	SPRING WASHER		2
15	577 97 26-01	ENGINE FRAME		1
16	506 57 01-04	SCREW EHHFM		4
17	532 42 82-87	PLUG		1
18	579 52 93-01	AIR DUCT	For 967291101	1
19	734 11 54-41	WASHER	For 967291101, 967150601, 966757001	1



FUEL SYSTEM

R216

Ref	Part No	Description	Remark	QTY KIT
1	577 91 50-01	FUEL TANK		1
2	578 05 38-01	BRACKET		1
3	578 26 15-01	WIRE		1
4	504 80 00-10	FUEL HOSE		1
5	584 24 87-02	FUEL CAP		1
6	725 23 64-61	SCREW EHHFT		1
7	725 24 93-71	SCREW EHHM		1
8	732 21 16-01	LOCK NUT		1
9	535 46 97-01	HOSE BRACE		2

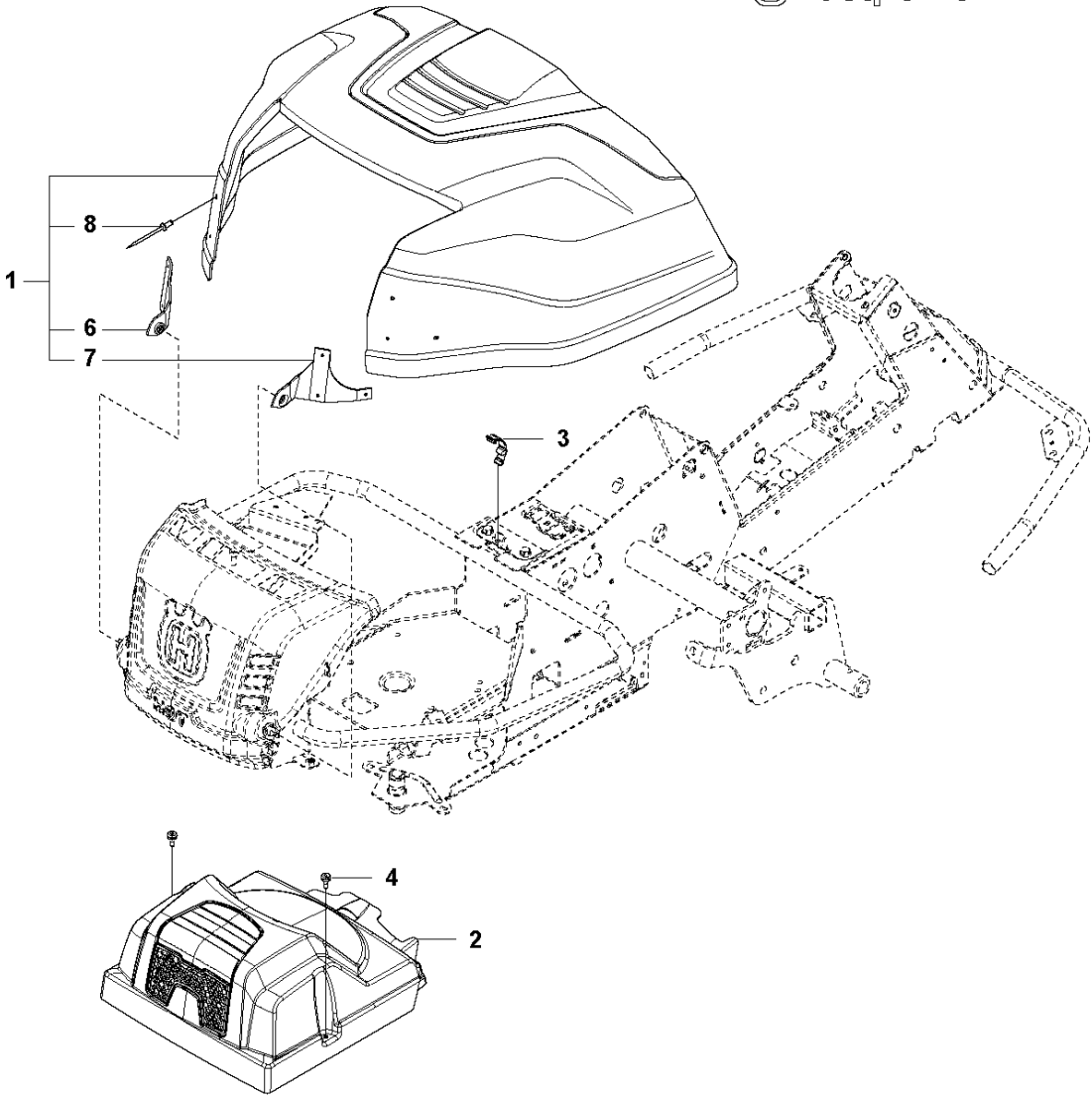
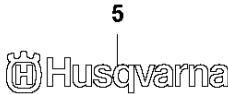


ELECTRICAL

R216

Ref	Part No	Description	Remark	QTY	KIT
1	577 04 16-01	BATTERY		1	
2	587 76 43-01	HOUR METER		1	
3	578 20 06-01	COVER	For 967291101, 967150601, 966757001	1	
4	506 83 68-02	BELT		1	
5	522 62 21-01	SCREW EHHM		2	
6	522 62 43-01	NUT		2	
7	725 23 64-61	SCREW EHHFT		1	
8	506 89 98-01	NUT		3	
9	576 18 38-01	CABLE		1	
10	579 43 43-01	IGNITION SWITCH	For 967846702	1	
10	544 44 21-01	IGNITION SWITCH	For 967291102, 967291101, 967150601, 966757001	1	
11	578 26 17-01	IGNITION SWITCH	For 967846702	1	10
11	544 44 22-01	IGNITION SWITCH	For 967291102, 967291101, 967150601, 966757001	1	
12	544 44 23-01	NUT		1	10
13	544 44 24-01	IGNITION KEY		1	10
14	578 33 84-01	WIRING		1	
15	576 18 39-01	CABLE		1	
16	586 22 39-01	WIRE		1	
17	544 43 98-01	RELAY		1	
18	506 89 98-01	NUT	For 966757001	1	
19	578 32 89-01	WIRING		1	
21	722 78 39-02	BLIND RIVET	For 967291102, 967291101, 967150601, 966757001	1	
22	574 31 61-01	SWITCH	For 967846702	1	
22	574 31 60-01	SWITCH	For 967291102, 967291101, 967150601, 966757001	1	
23	544 44 07-01	RIVET		4	
24	506 90 96-01	SWITCH		1	
25	506 90 97-01	SPRING WASHER		1	
26	544 44 12-01	SPRING		1	
27	506 90 99-02	SPACING TUBE	For 967291102, 967291101, 967150601, 966757001	1	
28	725 24 64-51	SCREW EHHM	For 967846702	1	
28	725 24 60-51	SCREW EHHM	For 967291102, 967291101, 967150601, 966757001	1	
29	734 11 64-01	WASHER		1	
30	574 31 61-01	SWITCH		1	
31	544 41 57-01	BRACKET		1	
33	586 37 94-01	LEVER		1	
34	582 21 42-01	LAMP		2	

COVER - 1

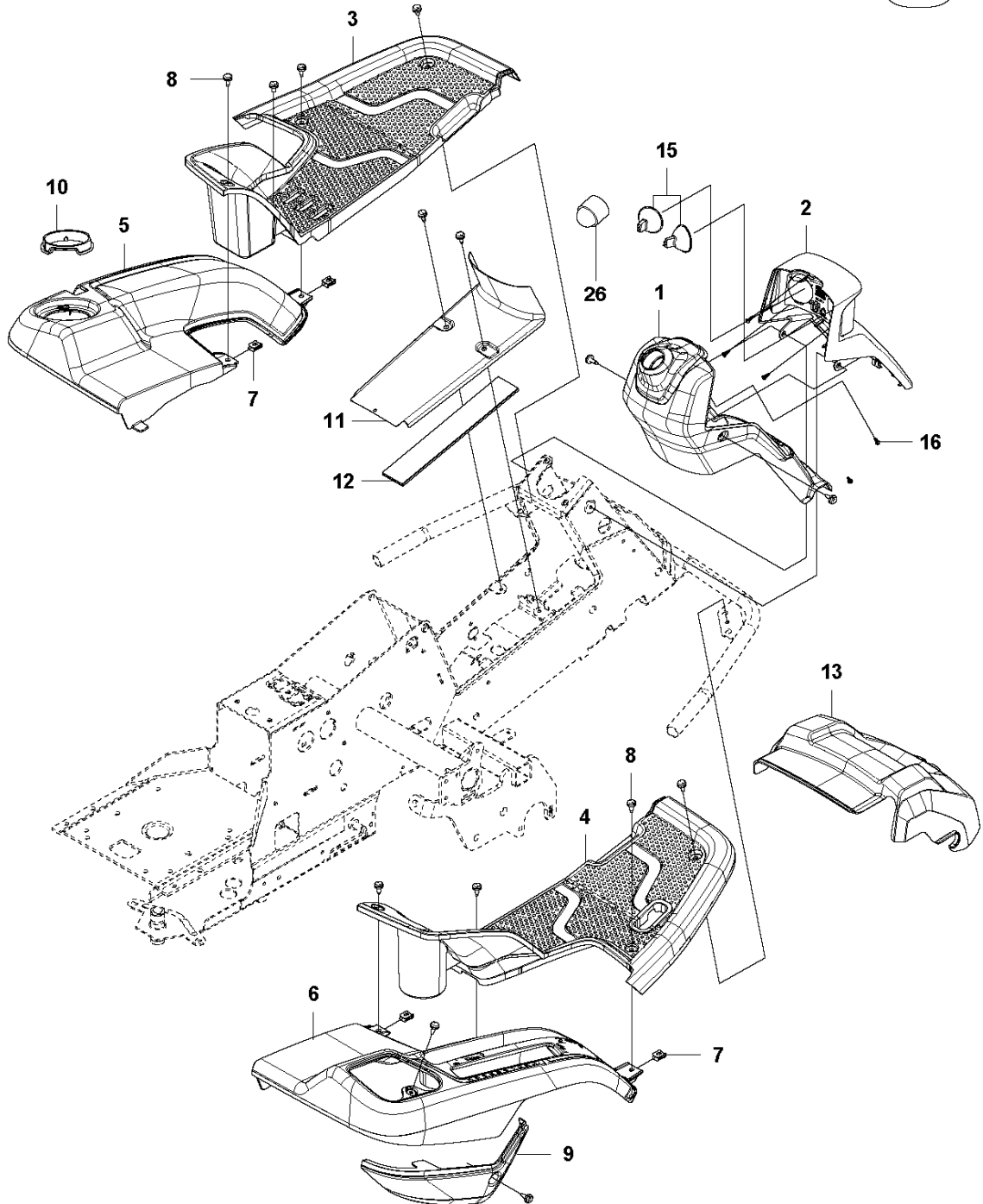
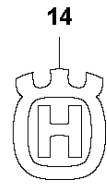


COVER

R216

Ref	Part No	Description	Remark	QTY	KIT
1	577 61 49-01	ENGINE HOOD ASSY		1	
2	578 26 13-04	TRANSMISSION COVER		1	
3	588 46 28-03	SNAP LOCKING	For 967846702	1	
3	503 89 47-03	SNAP LOCKING	For 967291102, 967291101, 967150601, 966757001	1	
4	574 85 62-01	SCREW		2	
5	577 06 20-01	DECAL		2	1
6	578 11 65-01	HINGE		1	
7	578 11 65-02	HINGE		1	
8	722 79 54-02	RIVET		6	

COVER - 2

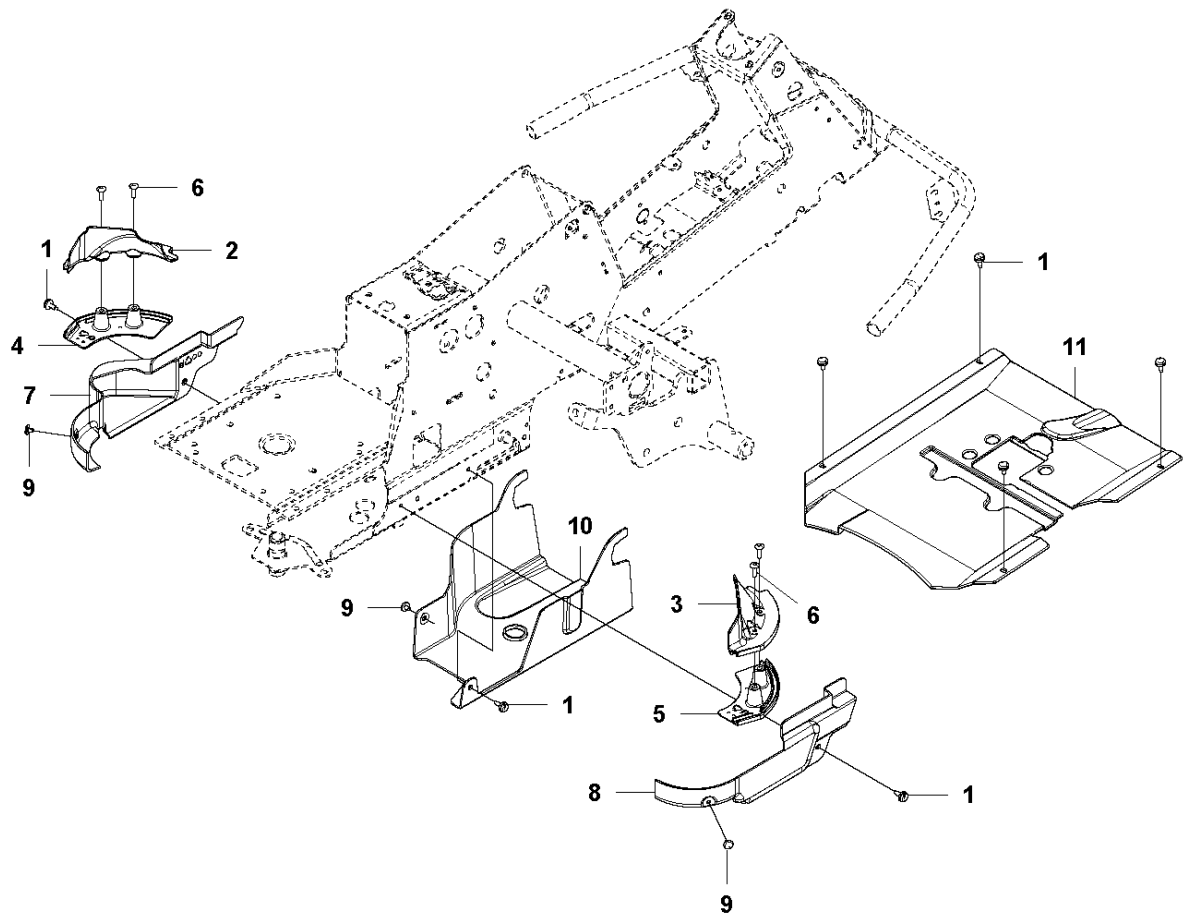


COVER

R216

Ref	Part No	Description	Remark	QTY	KIT
1	577 70 41-01	COVER		1	
2	590 96 42-01	COVER		1	
3	577 72 93-01	FOOT PLATE		1	
4	577 72 94-01	FOOT PLATE		1	
5	577 72 95-01	FENDER		1	
6	577 72 96-01	FENDER		1	
7	535 42 91-01	SPRING NUT		4	
8	544 40 05-01	SCREW		14	
9	577 73 75-01	CONTROL COVER		1	
10	577 76 45-01	LOCK NUT		1	
11	544 23 92-01	COVER		1	
12	584 26 01-01	MAT		1	
13	578 77 63-01	UNIT COVER		1	
14	576 97 34-01	DECAL		1	
15	582 21 42-01	LAMP		2	
16	504 61 09-01	SCREW ITPANT		5	2
26	544 43 32-01	PROTECTIVE COVER	For 967291102, 967291101, 967150601, 966757001	1	

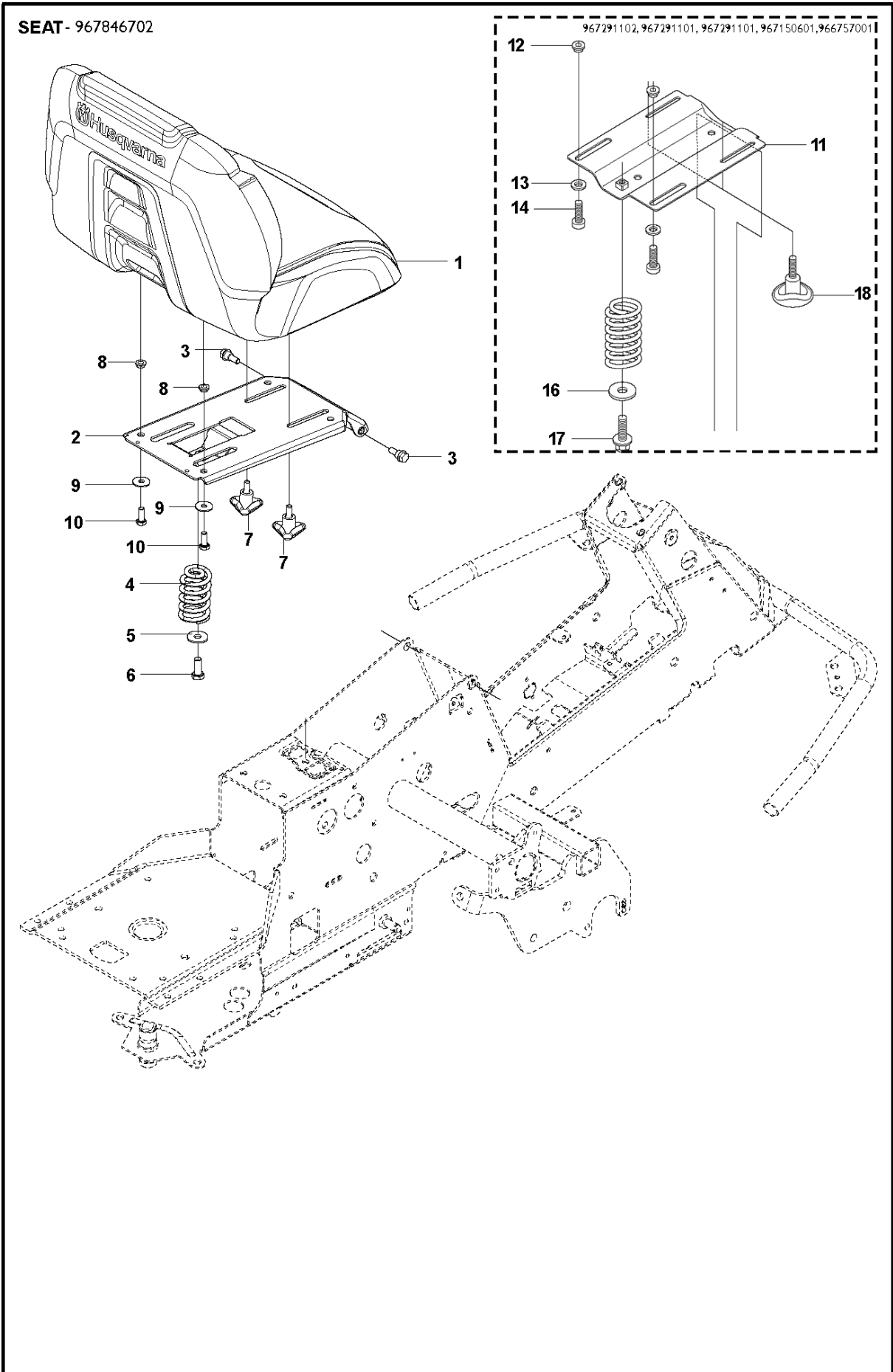
COVER - 3



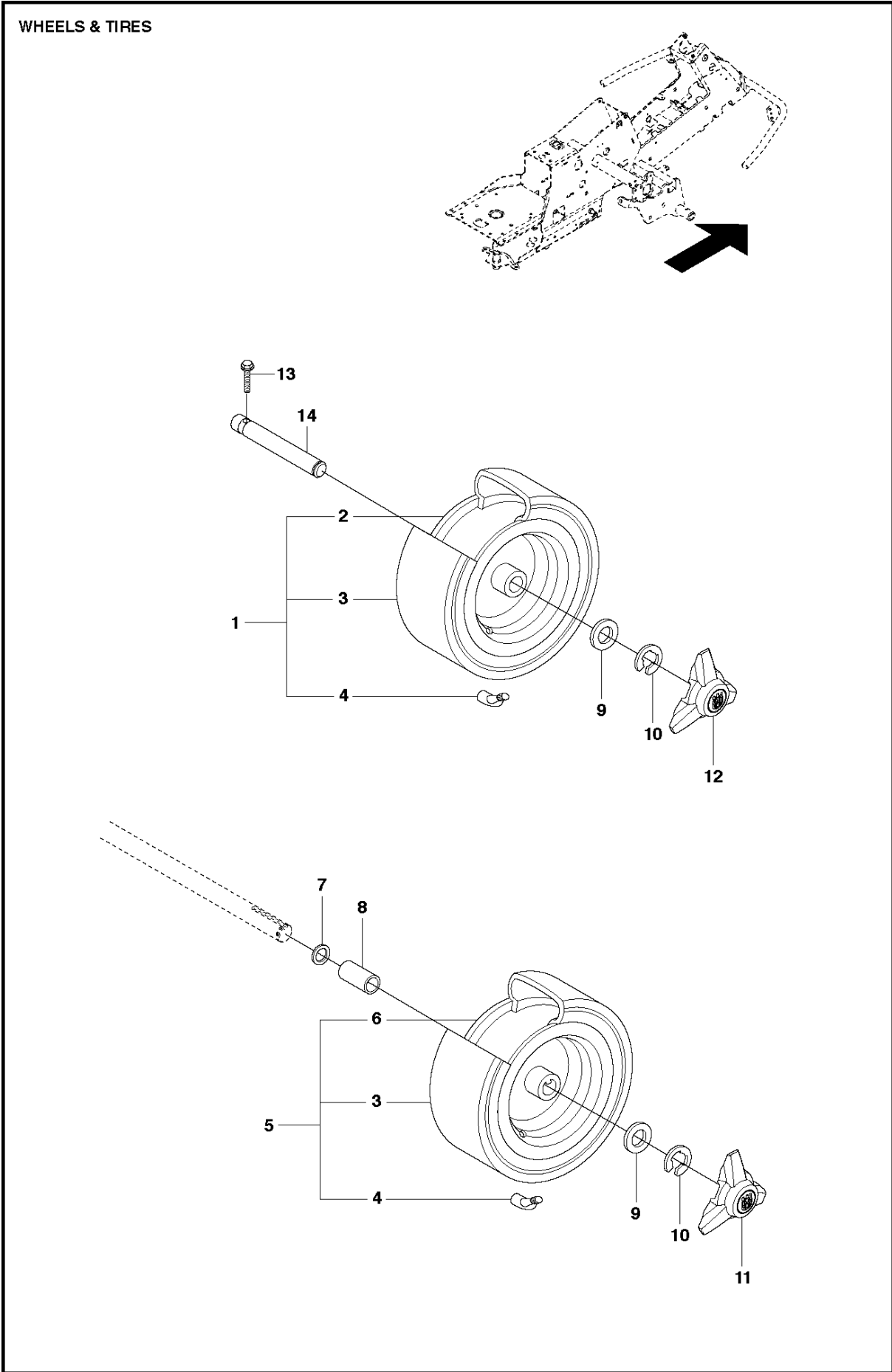
COVER

R216

Ref	Part No	Description	Remark	QTY KIT
1	544 40 05-01	SCREW		7
1	725 23 64-61	SCREW EHHFT	For 967291102, 967291101, 967150601, 966757001	1
2	510 22 25-01	BELT COVER		1
3	510 22 25-02	BELT COVER		1
4	510 22 27-01	BELT COVER		1
5	510 22 27-02	BELT COVER		1
6	535 42 58-02	SCREW IHPANM		4
6	725 23 68-61	SCREW EHHFT	For 967291102, 967291101, 967150601, 966757001	1
7	510 22 23-03	BELT COVER		1
8	510 22 24-01	BELT COVER		1
9	522 55 73-01	SCREW		3
10	510 44 20-01	BELT COVER		1
11	510 43 62-03	BELT COVER		1



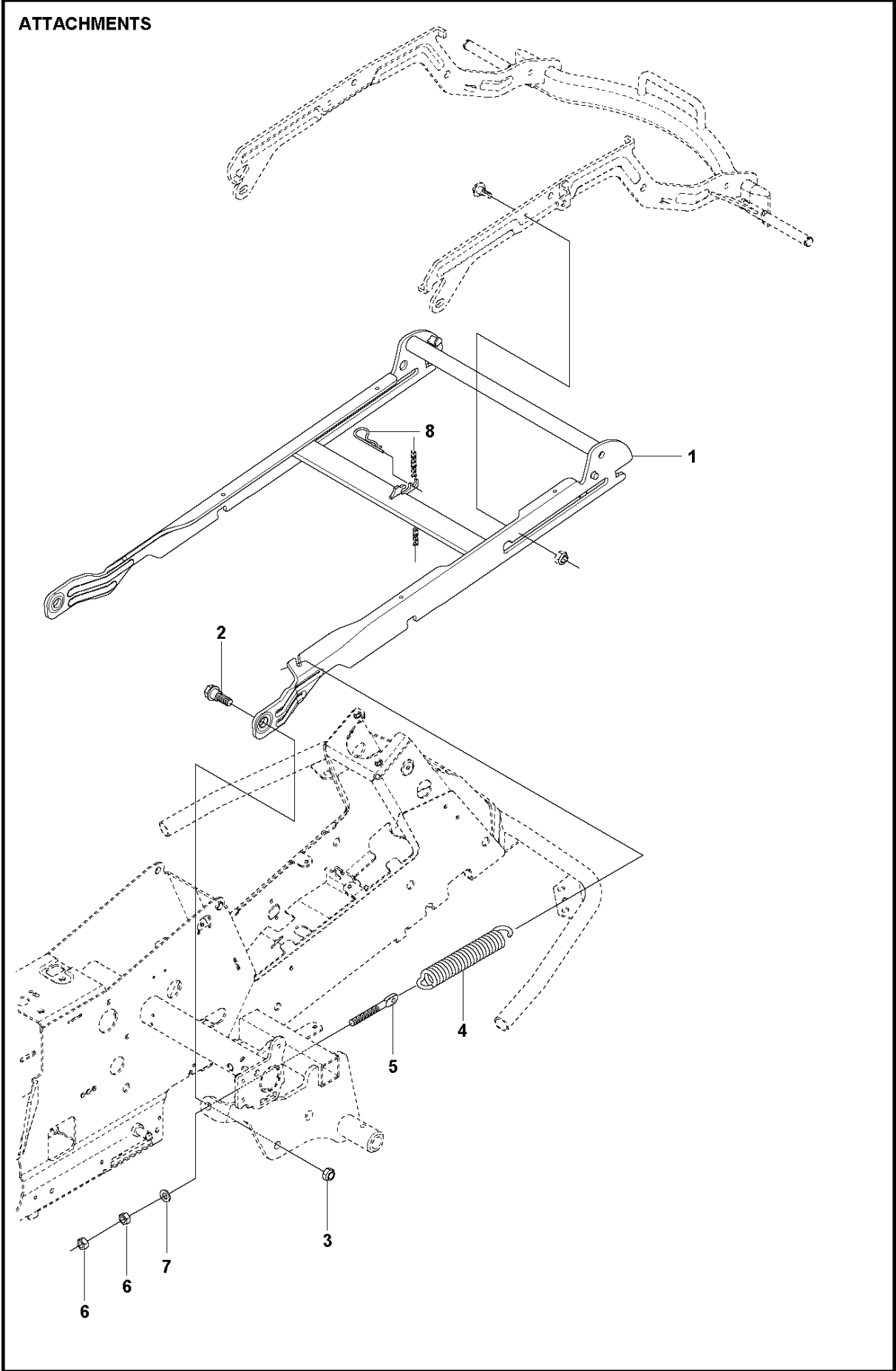
Ref	Part No	Description	Remark	QTY KIT
1	589 34 57-01	SEAT		1
2	501 13 15-01	SEAT BRACKET ASSY		1
3	506 59 74-01	SCREW EHHFM		2
4	506 91 53-01	COMPRESSION SPRING		1
5	734 11 74-41	WASHER		1
6	725 24 93-71	SCREW EHHM		1
7	585 06 52-02	KNOB		2
8	506 56 53-01	BUSHING		2
9	734 11 64-41	WASHER		2
10	725 24 51-71	SCREW EHHM		2
11	573 99 50-03	SEAT BRACKET	For 967150601, 966757001	1
16	734 11 74-41	WASHER	For 967291102, 967291101, 967150601, 966757001	1
18	585 06 52-02	KNOB	For 967291102, 967291101, 967150601, 966757001	1
17	725 24 93-71	SCREW EHHM	For 967291102, 967291101, 967150601, 966757001	1
12	506 56 53-01	BUSHING	For 967291102, 967291101, 967150601, 966757001	1
13	734 11 64-41	WASHER	For 967291102, 967291101, 967150601, 966757001	1
14	725 24 51-71	SCREW EHHM	For 967291102, 967291101, 967150601, 966757001	1



WHEELS & TIRES

R216

Ref	Part No	Description	Remark	QTY	KIT
1	523 01 22-02	WHEEL		2	
2	523 03 45-01	RIM		1	1
3	523 03 46-02	TIRE		1	1, 5
4	523 03 47-01	VALVE		1	1, 5
5	523 01 26-02	WHEEL		2	
6	523 03 48-01	RIM		1	5
7	506 50 48-05	WASHER		4	
8	506 59 62-03	SPACING SLEEVE		2	
9	506 50 48-03	WASHER		2	
10	506 89 90-01	E-CLIP		4	
11	544 35 35-01	HUB CAP		2	
12	544 35 35-02	HUB CAP		2	
13	725 24 59-61	SCREW EHHFT		2	
14	535 47 08-01	WHEEL AXLE		2	

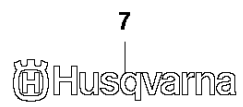
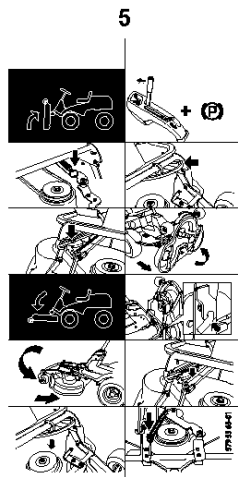
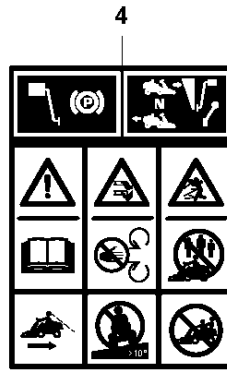
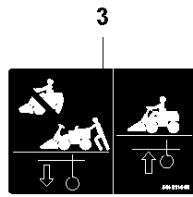
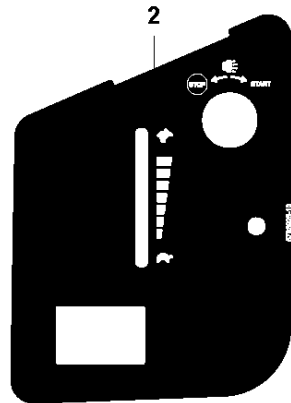
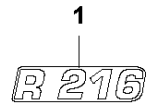


ATTACHMENTS

R216

Ref	Part No	Description	Remark	QTY KIT
1	578 17 74-01	EQUIPMENT FRAME		1
2	506 89 58-01	COLLAR SCREW		2
3	732 25 22-01	HEXAGON LOCKING NUT		2
4	506 83 76-01	SPRING		2
5	506 83 77-01	RING BOLT		2
6	731 23 20-51	HEXAGON NUT		4
7	734 11 72-01	WASHER		2
8	721 68 02-51	SPRING COTTER		1

DECALS



DECALS

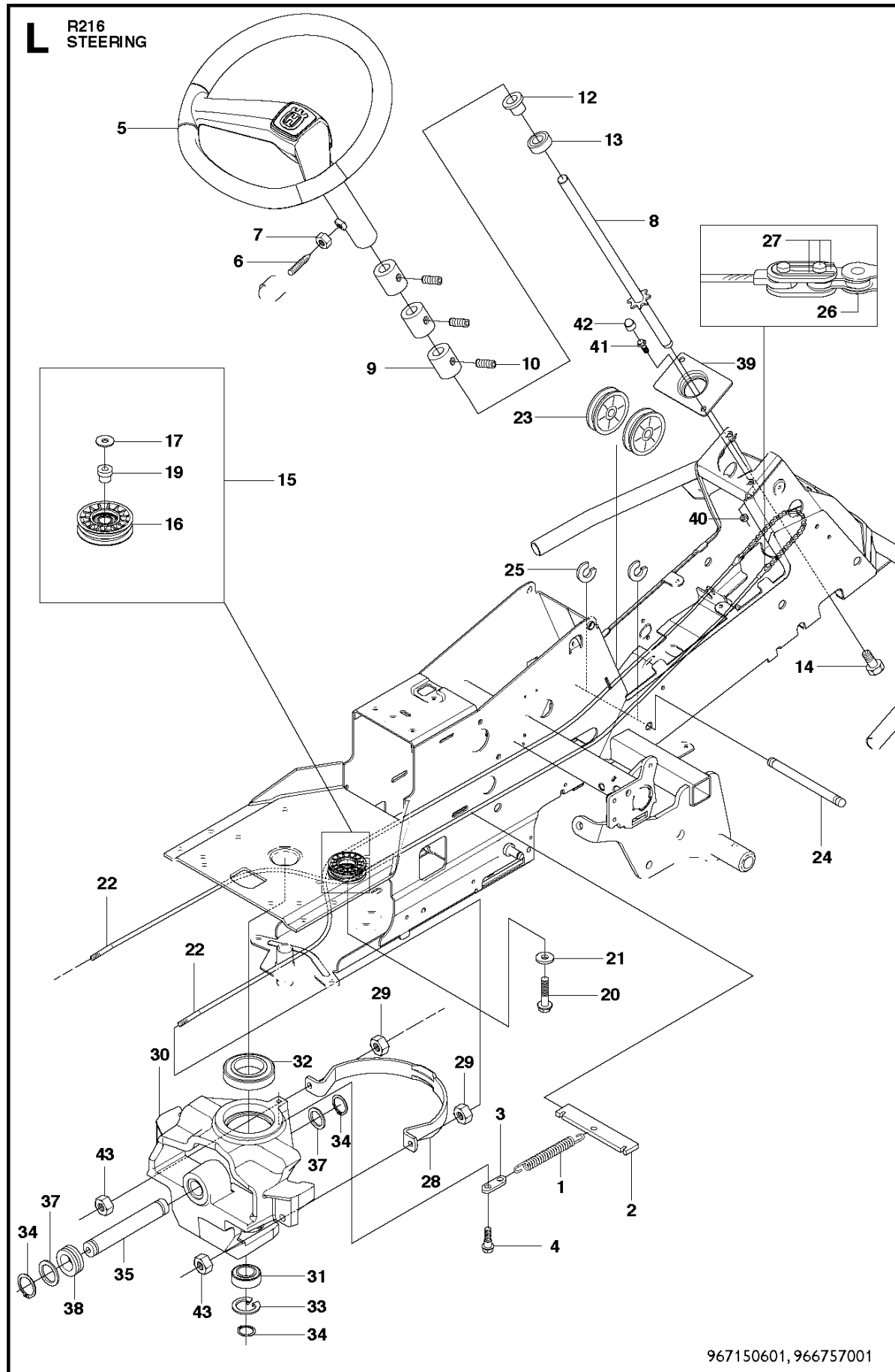
R216

Ref	Part No	Description	Remark	QTY KIT
1	578 36 45-02	DECAL		2
2	578 39 25-10	DECAL		1
3	544 21 14-01	LABEL		2
4	582 57 00-01	LABEL		1
5	579 55 65-01	DECAL		1
7	577 06 20-01	DECAL		2
8	576 97 34-01	DECAL		1

STEERING

R216

Ref	Part No	Description	Remark	QTY KIT
1	577 65 93-01	SPINDLE		1
2	738 21 05-04	BALL BEARING		1
3	738 21 10-04	BALL BEARING		1
4	735 31 40-10	CIRCLIP		1
5	506 98 59-01	SWING AXLE		1
6	506 77 34-01	WASHER		2
7	740 68 14-21	V-RING		1
8	735 31 26-00	CIRCLIP		3
9	506 67 19-01	SPRING		1
10	590 73 54-01	SPRING RETAINER		1
11	506 67 08-01	LINK		1
12	506 59 74-01	SCREW EHHFM		1
13	576 49 25-01	PULLEY		1
14	734 11 74-41	WASHER		1
15	506 67 54-03	SCREW EHHFM		1
16	506 52 24-01	STARTER PULLEY		2
17	506 53 94-04	SHAFT		1
18	735 31 14-20	E-CLIP		2
19	506 55 46-01	CHAIN		1
20	506 55 47-01	LINKAGE		2
21	501 60 48-04	CABLE ASSY		2
22	731 23 20-01	HEXAGON NUT		2
23	544 42 73-01	WIRE GUIDE		1
24	732 21 20-51	NUT		2
25	593 94 99-01	STEERING ROD		1
26	584 15 56-01	BRACKET		1
27	583 89 97-01	BRACKET		1
28	735 31 17-00	CIRCLIP		1
29	506 57 01-04	SCREW EHHFM		4
30	587 08 09-01	DRIVER		1
31	593 16 61-05	STEERING WHEEL		1
32	593 14 95-01	HANDLE		1
33	593 60 52-01	FIXING PLATE		1
34	593 14 94-01	PIN		1
35	593 86 88-01	SPRING		1



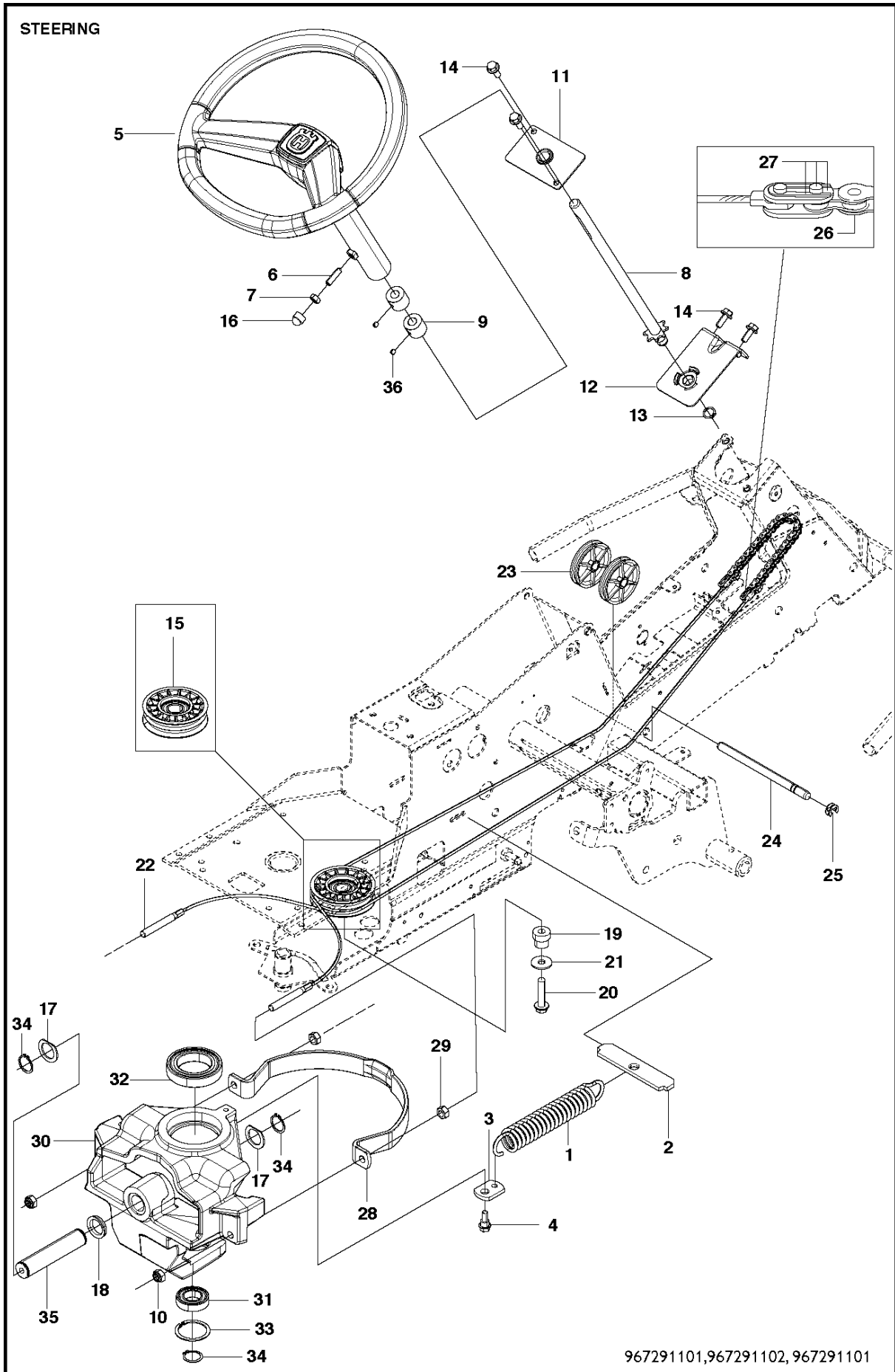
967150601, 966757001

Image name: R216 54424501-S

STEERING

R216

Ref	Part No	Description	Remark	QTY	KIT
1	506 67 19-01	SPRING		1	
2	506 57 63-01	SPRING RETAINER		1	
3	506 67 08-01	LINK		1	
4	506 59 74-01	SCREW EHHFM		1	
5	577 96 04-02	STEERING WHEEL		1	
6	728 74 55-05	SCREW IHSETM		1	
7	731 23 18-01	HEXAGON NUT		1	
8	575 63 19-01	STEERING ROD		1	
9	506 86 34-01	DRIVER		3	
10	728 84 43-05	SCREW IHSETM		3	
12	506 88 78-01	SPACER		1	
13	738 21 04-04	BALL BEARING		1	
14	506 57 01-04	SCREW EHHFM		1	
15	576 49 25-01	PULLEY		1	
16	576 26 91-01	PULLEY		1	15
17	735 31 40-10	CIRCLIP		1	15
19	576 48 73-01	BUSHING		1	15
20	506 67 54-03	SCREW EHHFM		1	
21	734 11 74-41	WASHER		1	
22	577 19 99-04	WIRE ASSY		2	
23	506 52 24-01	STARTER PULLEY		2	
24	506 53 94-04	SHAFT		1	
25	735 31 14-20	E-CLIP		2	
26	506 55 46-01	CHAIN		1	
27	506 55 47-01	LINKAGE		2	
28	544 42 73-01	WIRE GUIDE		1	
29	731 23 20-51	HEXAGON NUT		2	
30	577 65 93-01	SPINDLE		1	
31	738 21 05-04	BALL BEARING		1	
32	738 21 10-04	BALL BEARING		1	
33	735 31 40-10	CIRCLIP		1	
34	735 31 26-00	CIRCLIP		3	
35	506 98 59-01	SWING AXLE		1	
37	506 77 34-01	WASHER		1	
38	740 68 14-21	V-RING		1	
39	578 06 52-01	BRACKET		1	
40	732 21 20-51	NUT		1	
41	506 67 54-03	SCREW EHHFM		1	
42	544 43 32-01	PROTECTIVE COVER		1	
43	732 21 20-51	NUT		2	

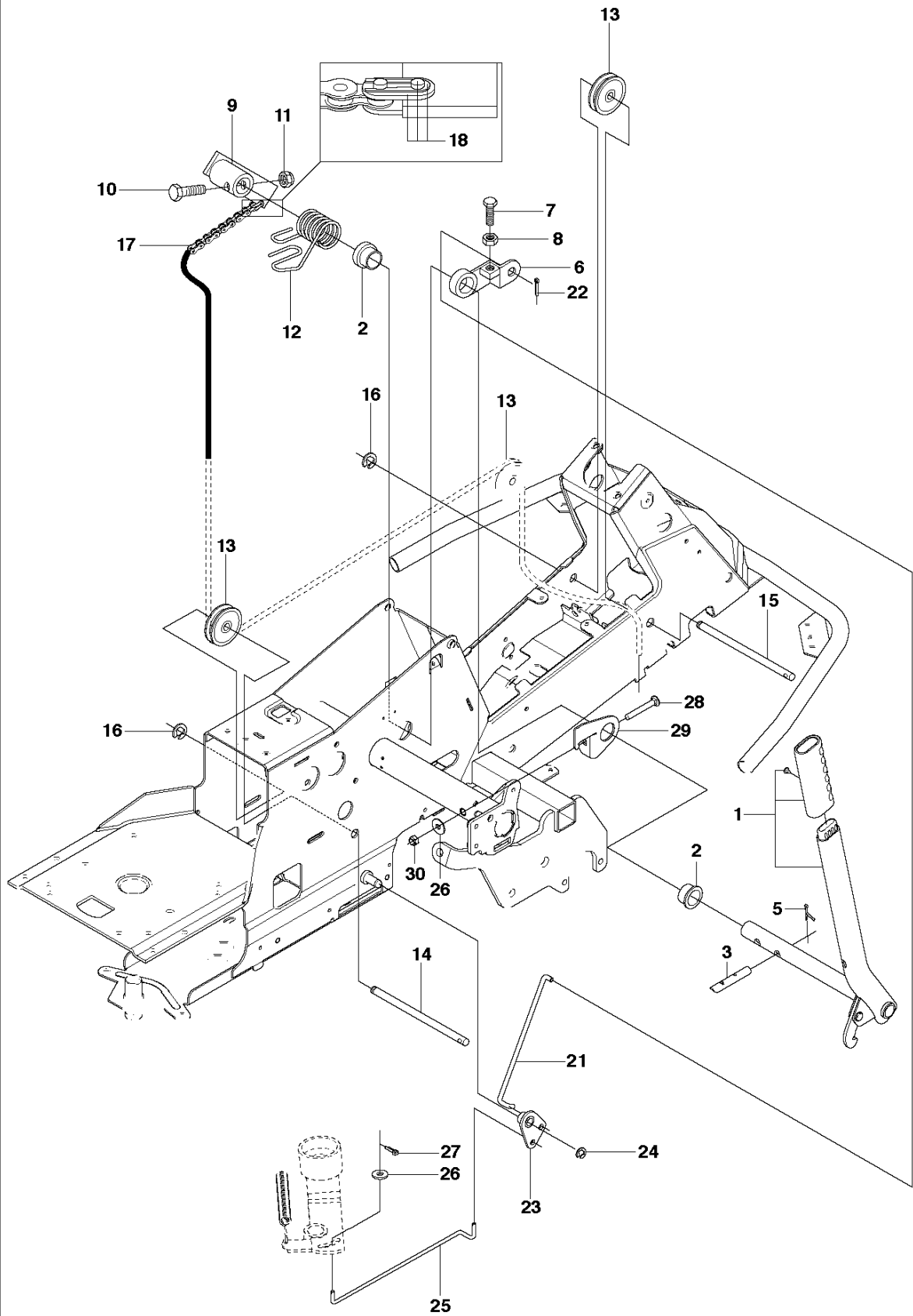


STEERING

R216

Ref	Part No	Description	Remark	QTY KIT
1	506 67 19-01	SPRING		1
2	506 57 63-01	SPRING RETAINER		1
3	506 67 08-01	LINK		1
4	506 59 74-01	SCREW EHHFM		1
5	577 96 04-02	STEERING WHEEL		1
6	728 74 55-05	SCREW IHSETM		1
7	731 23 18-01	HEXAGON NUT		1
8	583 89 99-01	STEERING ROD		1
9	506 86 34-01	DRIVER		2
10	732 21 20-51	NUT		2
11	584 15 56-01	BRACKET		1
12	583 89 97-01	BRACKET		1
13	735 31 17-00	CIRCLIP		1
14	506 57 01-04	SCREW EHHFM		4
15	576 49 25-01	PULLEY		1
16	544 43 32-01	PROTECTIVE COVER		1
17	506 77 34-01	WASHER		2
18	740 68 14-21	V-RING		1
19	576 48 73-01	BUSHING		1
20	506 67 54-03	SCREW EHHFM		1
21	734 11 74-41	WASHER		1
22	577 19 99-04	WIRE ASSY		2
23	506 52 24-01	STARTER PULLEY		2
24	506 53 94-04	SHAFT		1
25	735 31 14-20	E-CLIP		2
26	506 55 46-01	CHAIN		1
27	506 55 47-01	LINKAGE		2
28	544 42 73-01	WIRE GUIDE		1
29	731 23 20-01	HEXAGON NUT		2
30	577 65 93-01	SPINDLE		1
31	738 21 05-04	BALL BEARING		1
32	738 21 10-04	BALL BEARING		1
33	735 31 40-10	CIRCLIP		1
34	735 31 26-00	CIRCLIP		3
35	506 98 59-01	SWING AXLE		1
36	728 84 43-05	SCREW IHSETM		2

E MOWER LIFT
For 2012 - 2017



Ref	Part No	Description	Remark	QTY KIT
1	577 96 67-01	LIFTING LEVER ASSY		1
2	506 55 65-01	BEARING		1
3	525 40 66-01	PEN		1
5	721 61 83-01	SPLIT PIN		4
6	506 78 43-01	LINK ASSY		1
7	725 24 97-51	SCREW		1
8	731 23 20-51	HEXAGON NUT		1
9	544 43 36-01	LIFTING ARM		1
10	725 25 42-51	SCREW EHHM		1
11	732 25 22-01	HEXAGON LOCKING NUT		1
12	506 91 68-01	SPRING		1
13	506 90 56-01	OFFSET PULLEY		2
14	506 90 57-01	SHAFT		1
15	506 90 57-02	SHAFT		1
16	735 31 18-20	E-CLIP		2
17	506 55 46-07	CHAIN		1
18	506 55 47-01	LINKAGE		1
21	544 45 69-01	CONNECTION ROD		1
22	721 61 83-01	SPLIT PIN		1
23	544 37 86-01	LINK		1
24	735 31 14-20	E-CLIP		1
25	544 44 88-01	CONNECTION ROD		1
26	734 11 64-41	WASHER		1
27	721 61 83-01	SPLIT PIN		1
28	535 42 38-03	SCREW RSQM		1
29	577 99 95-01	SHEET		1
30	732 21 18-01	LOCK NUT		1

MOWER LIFT / DECK LIFT

R216

Ref	Part No	Description	Remark	QTY KIT
1	501 06 53-01	LIFTING LEVER ASSY		1
2	588 92 69-01	BEARING		1
3	525 40 66-01	PEN		1
4	588 92 71-01	ANVIL		1
5	721 61 83-01	SPLIT PIN		4
6	588 92 70-01	LIFTING ARM		1
7	725 24 97-51	SCREW		1
8	731 23 20-01	HEXAGON NUT		1
9	588 92 74-01	ROD		1
10	588 92 73-01	ANVIL		1
11	584 87 13-01	BEARING		1
12	588 92 75-01	SPRING		1
13	506 90 56-01	OFFSET PULLEY		2
14	582 87 19-01	SHAFT		1
15	582 87 19-02	SHAFT		1
16	735 31 18-20	E-CLIP		2
17	506 55 46-09	CHAIN		1
18	506 55 47-01	LINKAGE		1
21	544 45 69-01	CONNECTION ROD		1
23	544 37 86-01	LINK		1
24	735 31 14-20	E-CLIP		1
25	544 44 88-01	CONNECTION ROD		1
26	734 11 64-41	WASHER		1
26	734 11 64-41	WASHER		1