

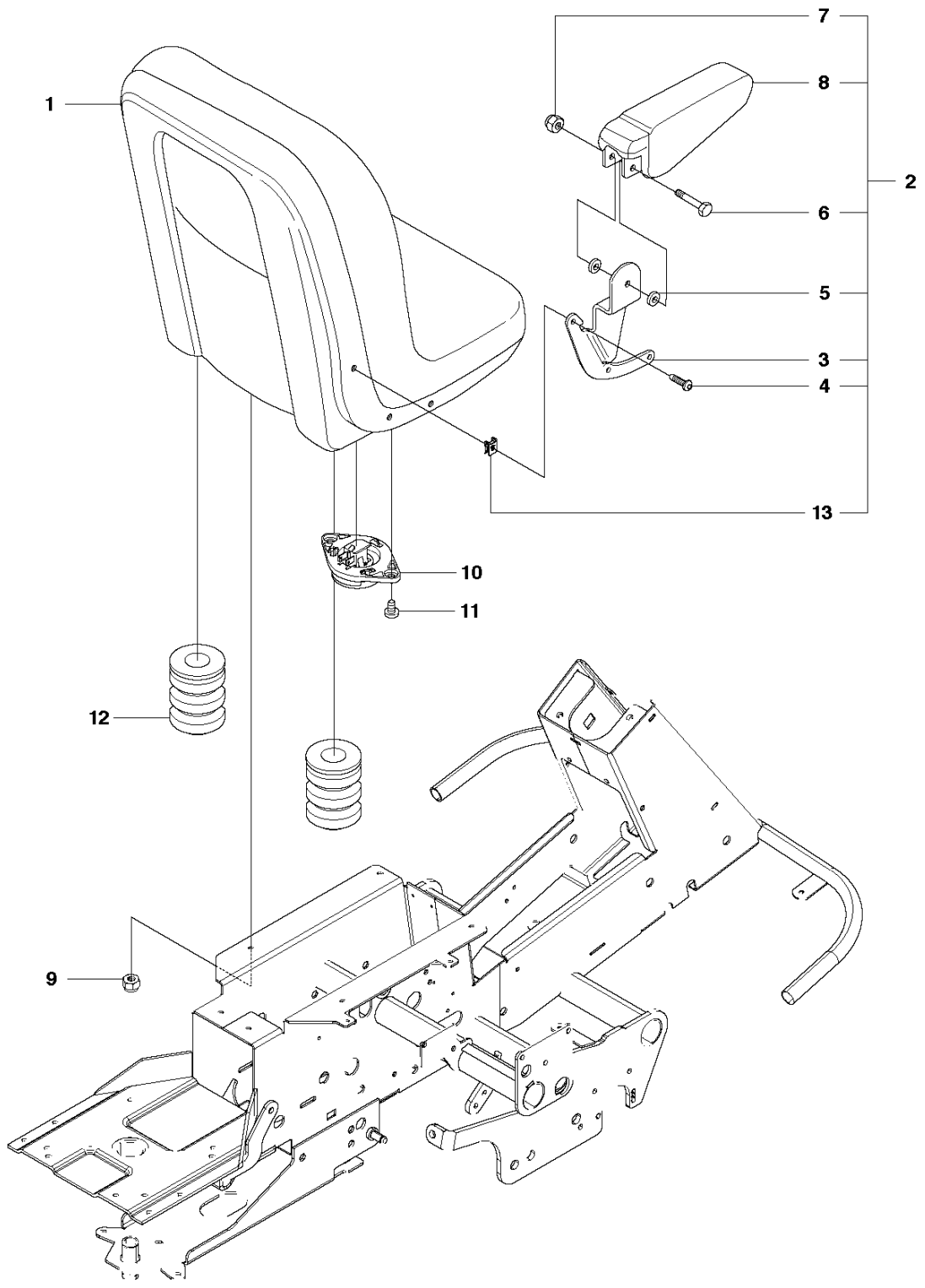


SPARE PARTS LIST

RIDERS

R 422 Ts

A R 422 Ts, R 422 Ts AWD
SEAT

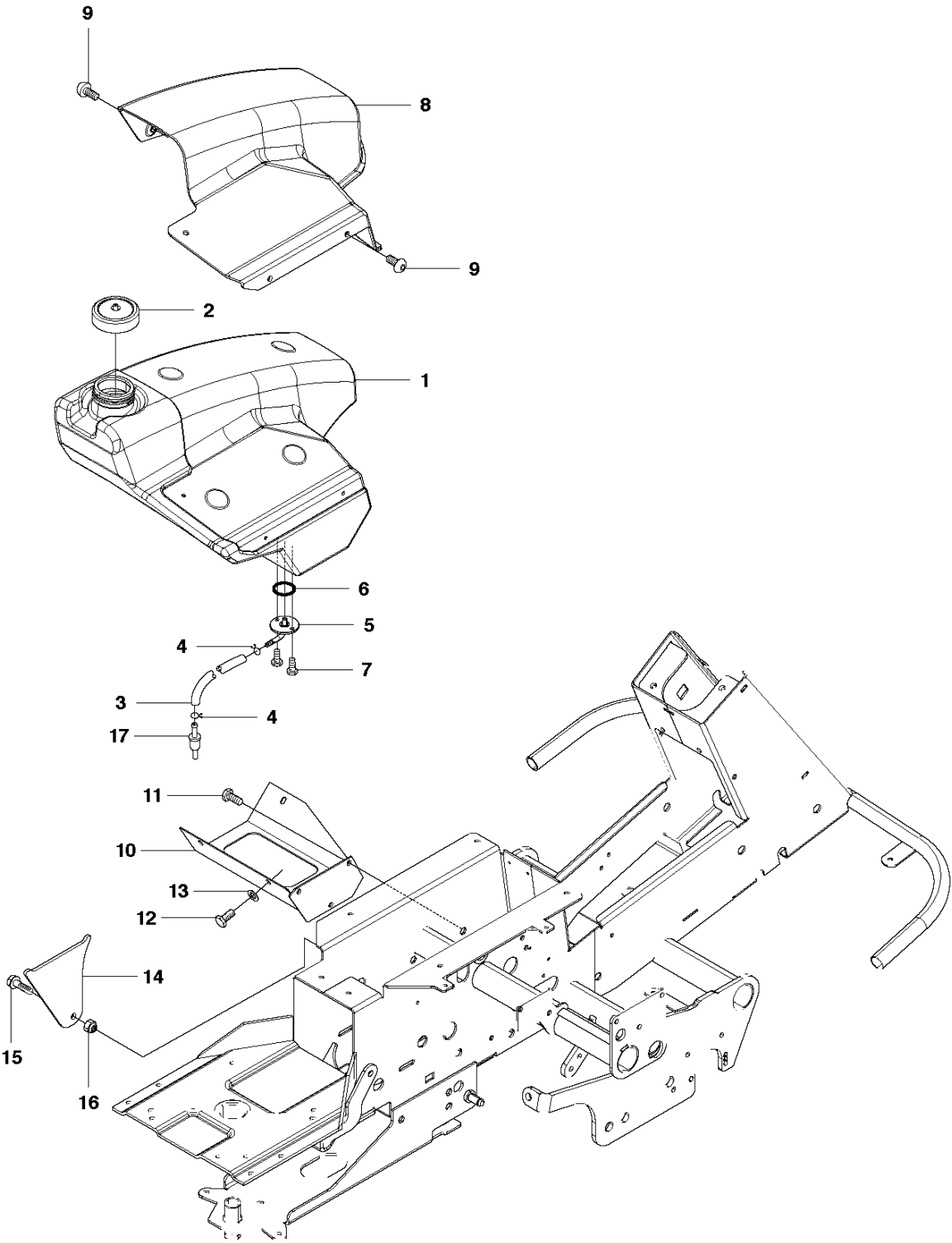


SEAT

R 422 Ts

Ref	Part No	Description	Remark	QTY	KIT
1	525 40 64-01	SEAT ASSY		1	
2	525 40 65-01	ARM REST KIT		1	
3	535 41 49-75	BRACKET		1	2
3	535 41 49-76	BRACKET		1	2
4	580 72 10-01	SCREW		6	2
5	535 41 49-78	SPACER		4	2
6	535 41 49-79	SCREW		2	2
7	535 41 49-80	NUT		2	2
8	535 41 49-81	ARMSTÖD		2	2
9	732 21 18-01	LOCK NUT		4	
10	582 87 66-01	SWITCH		1	
11	503 21 88-16	SCREW IHSCT		2	
12	529 29 24-01	DAMPING PIECE		2	
13	580 72 11-01	SPEED NUT	For 966632301	2	2

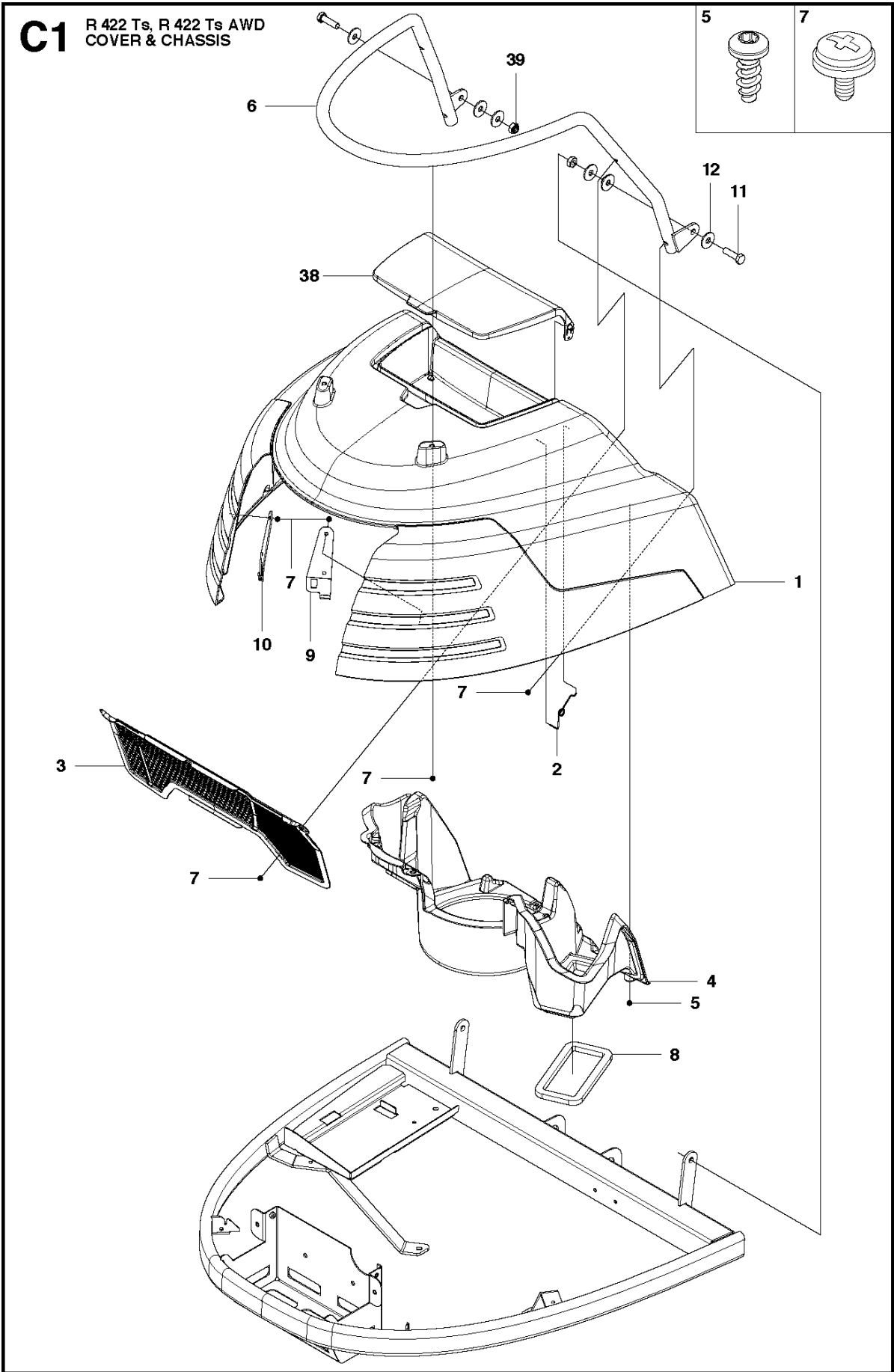
B R 422 Ts, R 422 Ts AWD
FUEL SYSTEM



FUEL SYSTEM

R 422 Ts

Ref	Part No	Description	Remark	QTY KIT
1	535 42 52-01	FUEL TANK		1
2	506 67 33-01	TANK CAP ASSY		1
3	504 80 00-07	FUEL HOSE		1
4	535 46 97-01	HOSE BRACE		2
5	506 89 18-01	CONNECTION		1
6	740 48 12-02	O-RING		1
7	535 41 56-19	SCREW		2
8	535 43 27-01	DESIGN COVER TANK		1
9	535 42 58-01	SCREW IHPANM		5
10	535 43 86-01	BRACKET		1
11	725 24 51-71	SCREW EHHM		3
12	725 23 66-51	HEXAGONAL SCREW M6X12		3
13	734 11 56-01	WASHER		3
14	535 43 88-01	TANK SUPPORT		1
15	725 24 95-71	SCREW EHHM		1
16	732 21 20-01	LOCK NUT		1
17	506 79 10-01	FUEL FILTER		1

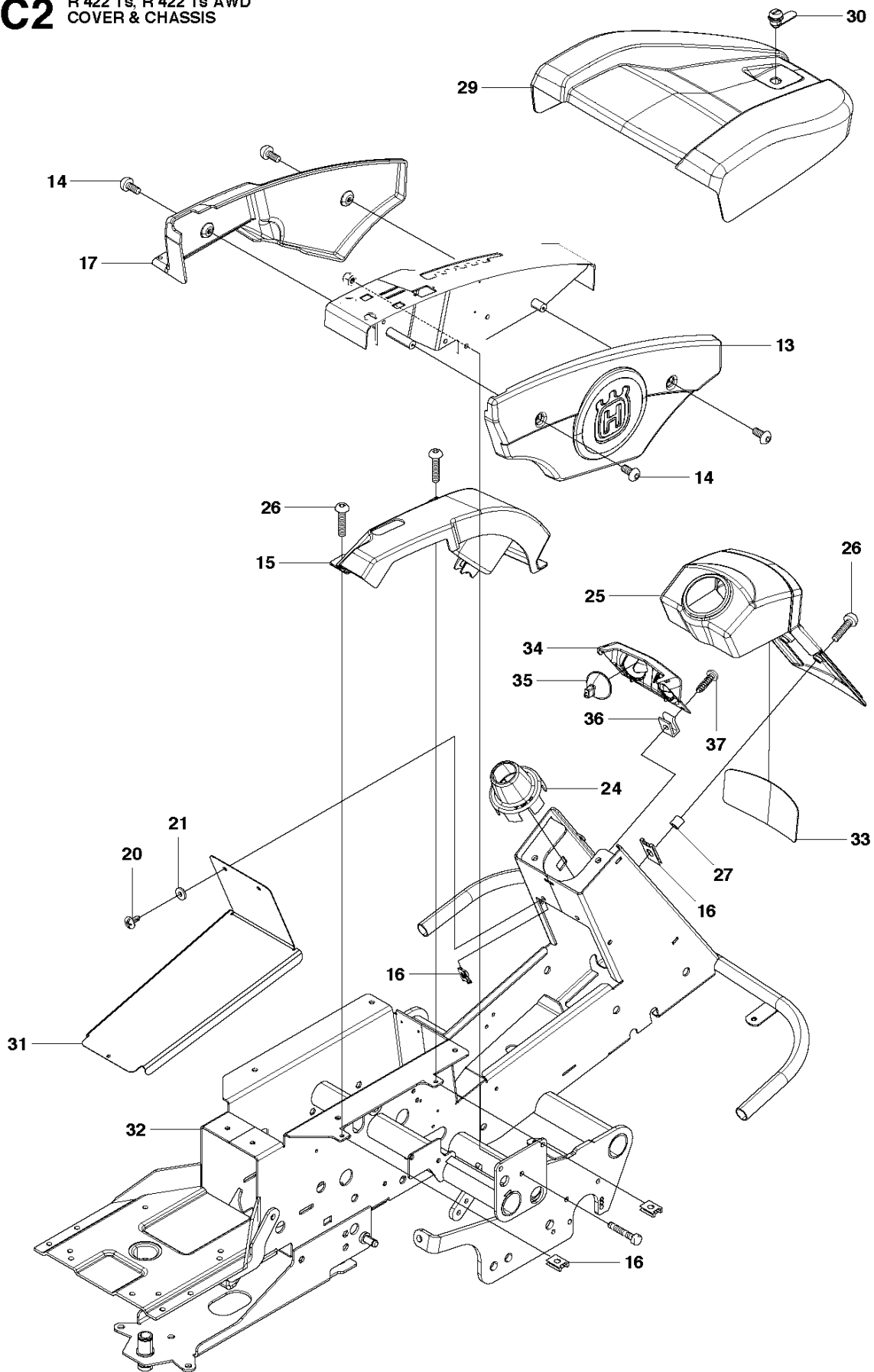


CHASSIS & ENCLOSURES

R 422 Ts

Ref	Part No	Description	Remark	QTY KIT
1	502 62 55-01	ENGINE HOOD ASSY		1
2	504 12 41-01	SPRING		2
3	502 48 22-01	GRID		1
4	504 10 19-02	AIR CONDUCTOR		1
5	504 61 09-01	SCREW ITXPANT		5
6	502 49 46-01	LOAD CARRIER		1
7	544 40 05-01	SCREW		10
8	504 62 95-01	SEALING		1
9	504 61 39-01	GUIDE PLATE		1
10	504 61 39-02	GUIDE PLATE		1
11	725 24 97-51	SCREW		2
12	734 11 74-60	WASHER		6
38	504 10 14-01	LID		1
39	732 21 20-51	NUT		2

C2 R 422 Ts, R 422 Ts AWD
COVER & CHASSIS

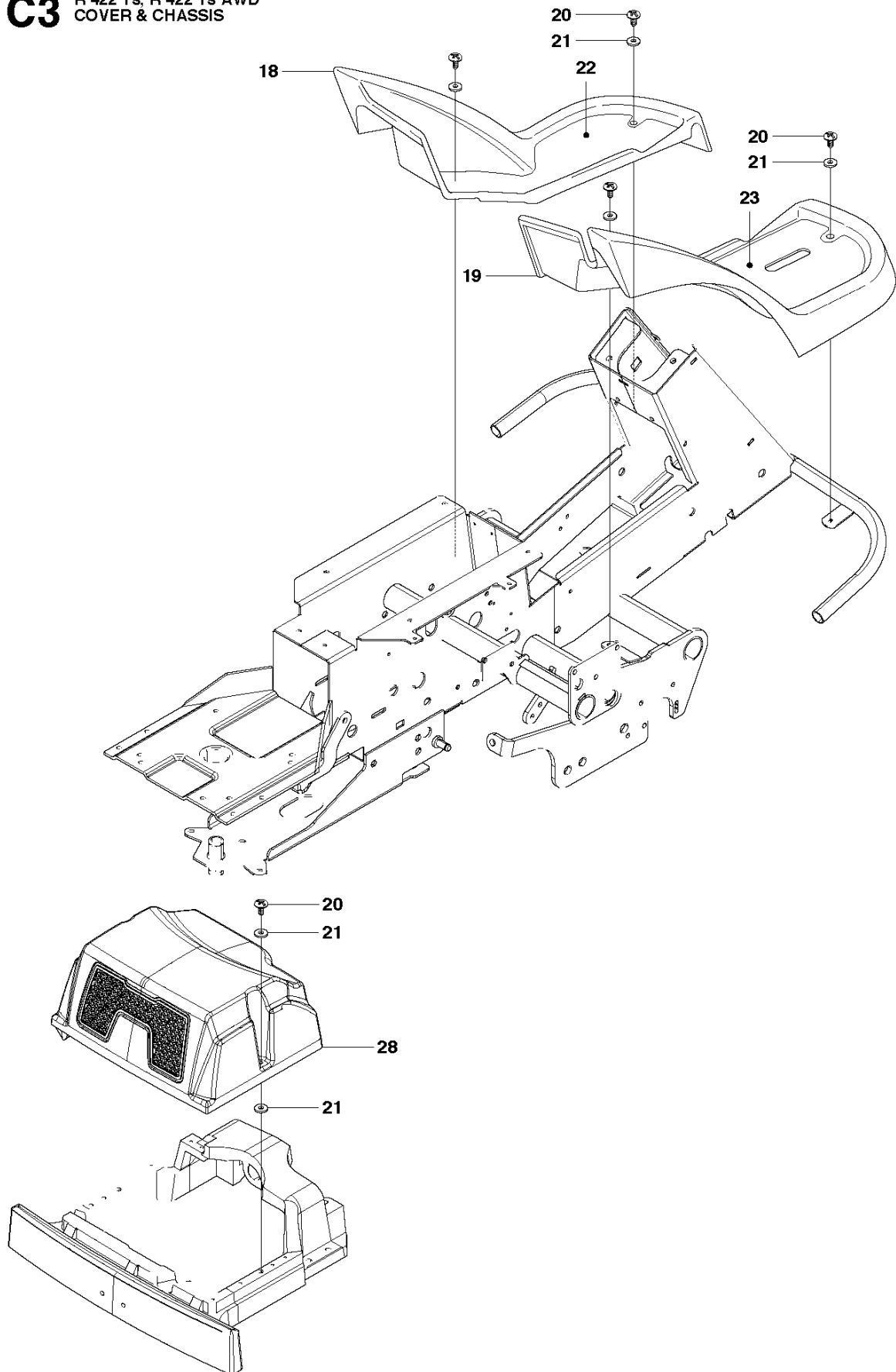


CHASSIS & ENCLOSURES

R 422 Ts

Ref	Part No	Description	Remark	QTY KIT
13	502 63 75-01	CONTROL COVER		1
14	535 42 58-01	SCREW IHPANM		4
15	502 63 77-01	CONTROL COVER		1
16	535 42 91-01	SPRING NUT		6
17	535 47 65-01	CONTROL CAP INNER		1
20	506 98 26-01	SCREW		6
21	506 55 97-01	WASHER		8
24	535 46 05-01	SEALING		1
25	535 45 97-01	COVER		1
26	535 42 58-02	SCREW IHPANM		4
27	535 46 29-01	SPACER		2
29	502 28 69-01	UNIT COVER		1
30	525 39 05-01	LOCK		1
31	535 42 15-01	LOCK GOLVTUNNEL		1
32	502 29 83-02	CHASSIS	For 966632301, <2011-11	1
32	578 77 85-02	CHASSIS	For 966772801, 2011-11>	1
33	535 44 71-01	LAMP CHIMNEY		1
34	535 44 67-01	HOUSING		1
35	535 44 68-01	LAMP		2
36	535 41 56-19	SCREW		2
37	506 89 20-01	SPEED NUT		2

C3 R 422 Ts, R 422 Ts AWD
COVER & CHASSIS

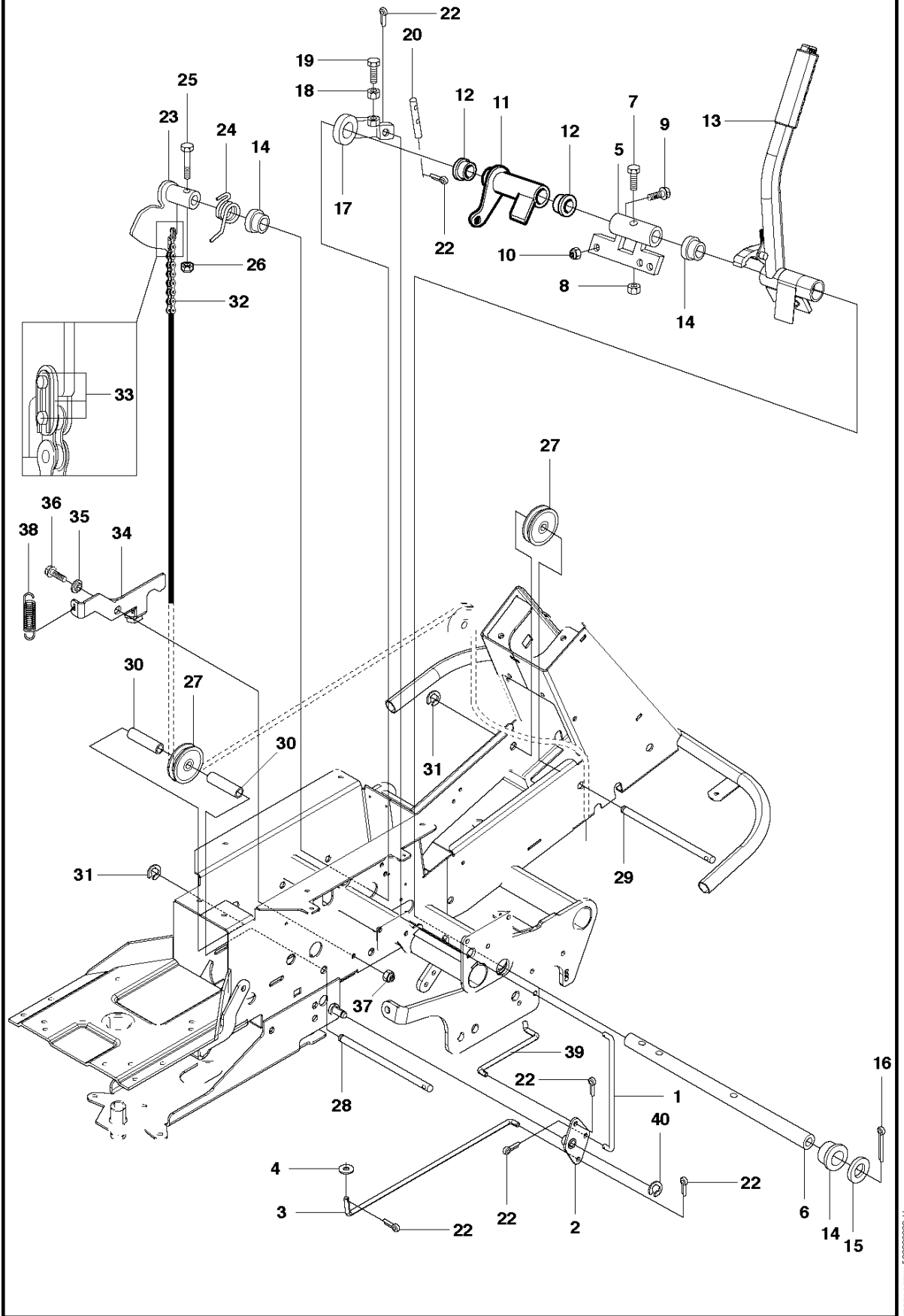


CHASSIS & ENCLOSURES

R 422 Ts

Ref	Part No	Description	Remark	QTY KIT
18	535 43 21-03	FLYGEL VÄNSTER		1
19	535 47 46-02	FLYGEL HÖGER		1
20	506 98 26-01	SCREW		6
21	506 55 97-01	WASHER		8
22	535 47 47-01	PEDISTAL MAT		1
23	535 47 47-02	PEDISTAL MAT		1
28	574 88 61-01	COVER		1

D R 422 Ts, R 422 Ts AWD
LIFTING SYSTEM

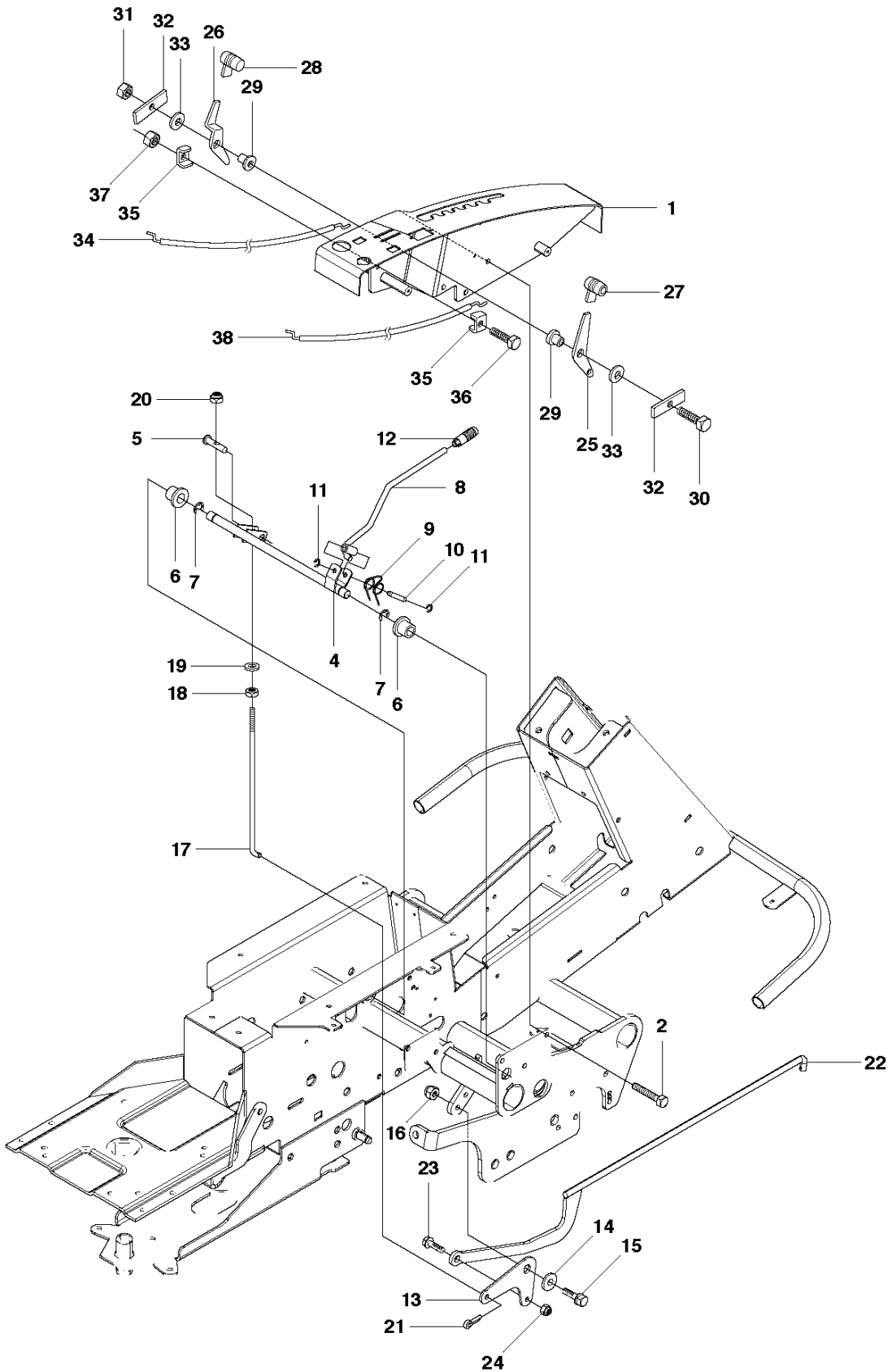


MOWER LIFT / DECK LIFT

R 422 Ts

Ref	Part No	Description	Remark	QTY KIT
1	506 66 59-01	CLUTCH ROD FRONT		1
2	504 63 67-01	LINK		1
3	535 44 47-02	CLUTCH ROD REAR		1
4	734 11 64-41	WASHER		1
5	506 95 11-01	DRIVER ASSY		1
6	506 96 80-01	SHAFT		1
7	725 25 44-51	SCREW EHHM		1
8	732 25 22-01	HEXAGON LOCKING NUT		1
9	725 24 53-51	SCREW EHHM		2
10	731 23 18-01	HEXAGON NUT		2
11	506 95 14-01	ACTUATOR		1
12	506 55 65-01	BEARING		2
13	504 90 79-01	LIFTING LEVER ASSY		1
14	506 55 65-01	BEARING		3
15	506 51 57-01	WASHER		1
16	721 62 01-01	SPLIT PIN		1
17	506 78 43-01	LINK ASSY		1
18	731 23 20-51	HEXAGON NUT		1
19	725 24 97-51	SCREW		1
20	525 40 66-01	PEN		1
22	721 61 83-01	SPLIT PIN		6
23	506 94 05-01	LIFTING ARM		1
24	506 81 70-01	SPRING		1
25	725 25 44-71	SCREW EHHM		1
26	732 25 22-01	HEXAGON LOCKING NUT		1
27	506 90 56-01	OFFSET PULLEY		2
28	506 90 57-01	SHAFT		1
29	506 90 57-02	SHAFT		1
30	506 90 58-01	TUBE SLEEVE		2
31	735 31 18-20	E-CLIP		2
32	506 55 46-08	CHAIN		1
33	506 55 47-01	LINKAGE		1
34	504 62 87-01	BRAKE LEVER		1
35	506 91 87-02	WASHER		1
36	506 57 01-05	SCREW EHHFM		1
37	732 21 18-01	LOCK NUT		1
38	506 54 25-01	SPRING		1
39	504 63 68-01	ROD		1
40	735 31 14-20	E-CLIP		1

E R 422 Ts, R 422 Ts AWD
HEIGHT ADJUSTER & CONTROL UNIT

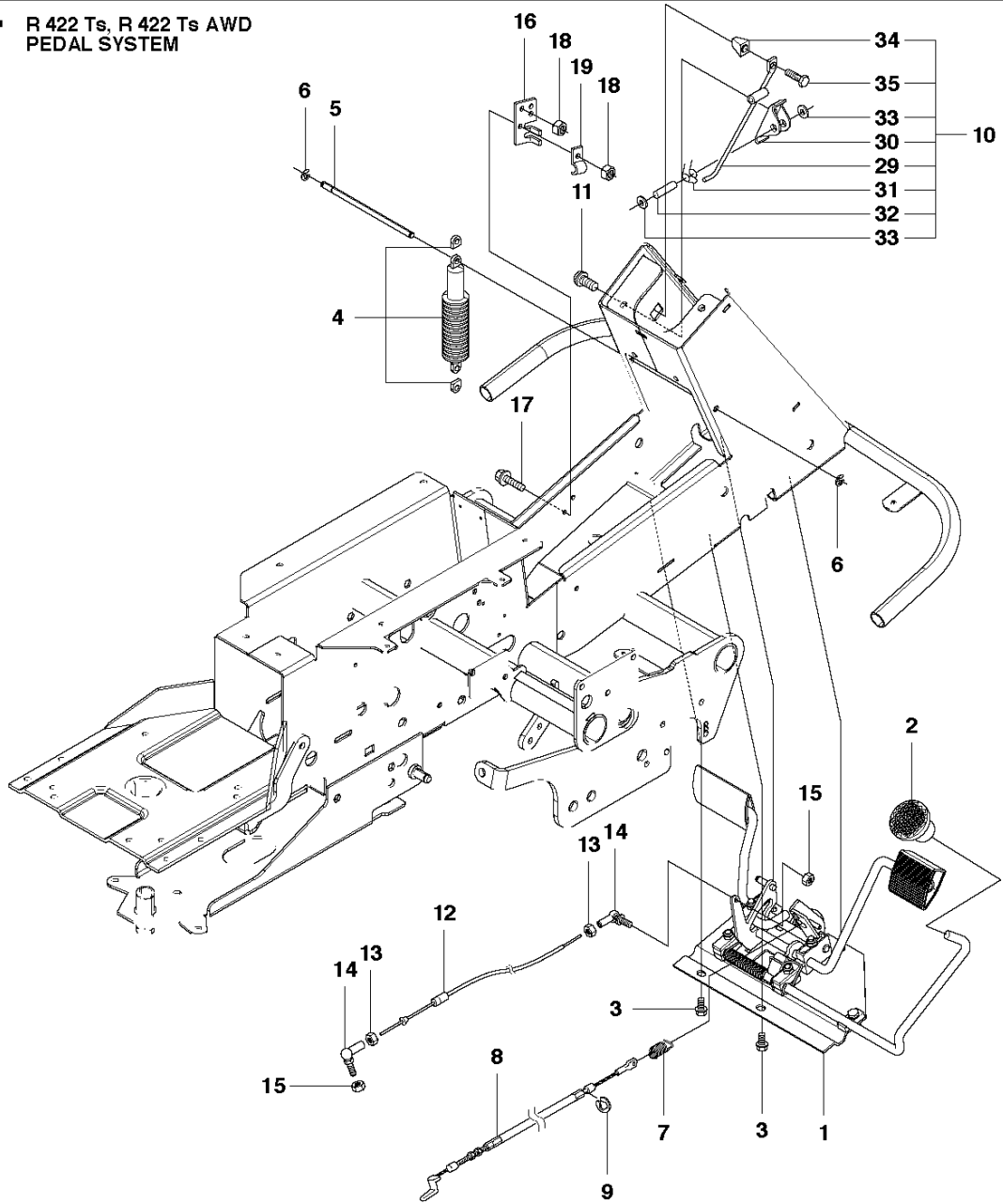


HEIGHT ADJUSTMENT

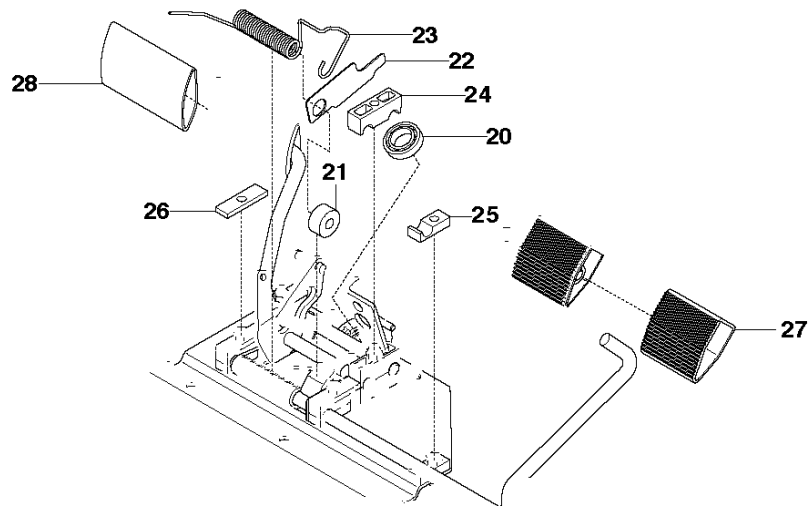
R 422 Ts

Ref	Part No	Description	Remark	QTY KIT
1	535 47 54-02	CONTROL PLATE		1
2	725 24 51-71	SCREW EHHM		3
4	506 78 45-02	CONTROL LEVER		1
5	506 78 46-01	PEN		1
6	506 55 43-01	BEARING		2
7	735 31 22-20	E-CLIP		2
8	506 78 47-01	REGLERSPAK KPL.		1
9	506 53 14-01	SPRING		1
10	506 53 15-01	SHAFT		1
11	735 31 09-20	E-CLIP		2
12	506 54 20-01	HANDLE		1
13	502 63 63-01	LINK		1
14	506 91 87-02	WASHER		1
15	725 24 53-71	SCREW EHHM		1
16	732 21 16-01	LOCK NUT		1
17	506 85 45-01	HEIGHT ROD		1
18	731 23 18-01	HEXAGON NUT		1
19	734 11 72-01	WASHER		1
20	732 21 18-01	LOCK NUT		1
21	721 61 83-01	SPLIT PIN		1
22	502 63 64-02	CONNECTOR		1
23	506 59 74-01	SCREW EHHFM		1
24	731 23 18-01	HEXAGON NUT		1
25	506 86 59-03	CONTROL		1
26	506 86 59-04	CONTROL		1
27	506 88 91-01	KNOB		1
28	506 88 91-02	KNOB		1
29	506 88 89-01	BUSHING		2
30	725 23 74-71	SCREW EHHM		1
31	732 21 16-01	LOCK NUT		1
32	506 92 85-02	LOCKWASHER		2
33	506 83 94-01	SPRING WASHER		2
34	506 86 39-08	THROTTLE CABLE ASSY		1
35	506 50 82-01	CLIP		2
36	725 23 35-51	SCREW EHHM		1
37	732 21 14-01	LOCK NUT		1
38	506 86 39-09	THROTTLE CABLE ASSY		1

F R 422 Ts, R 422 Ts AWD
PEDAL SYSTEM



PEDALS

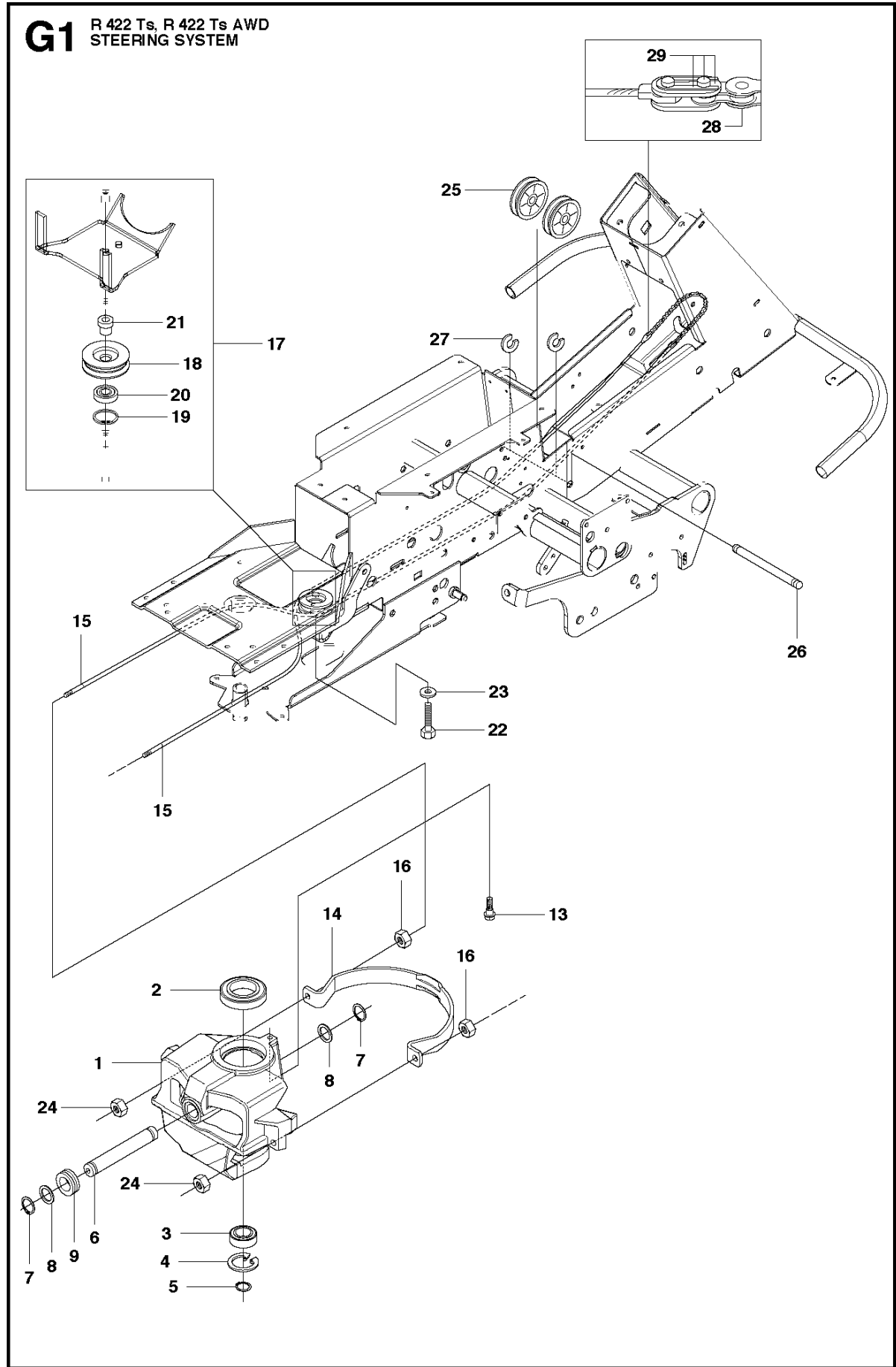


PEDALS

R 422 Ts

Ref	Part No	Description	Remark	QTY KIT	
1	544 12 60-01	PEDAL PLATE ASSY		1	
2	535 47 37-01	KNOB		1	
3	506 57 01-04	SCREW EHHFM		4	
4	506 93 83-01	DAMPING PIECE		1	
5	506 93 84-02	SHAFT		1	
6	735 31 09-20	E-CLIP		2	
7	506 94 63-01	BRAKE SPRING		1	
8	506 99 27-02	CABLE	PF21	1	
8	576 71 21-01	BRAKE WIRE	PF21 AWD	1	
9	735 31 09-20	E-CLIP		1	
10	506 53 84-04	BROMSSPÄRR KPL. GEM.		1	
11	725 23 64-61	SCREW EHHFT		2	
12	574 41 12-01	CONTROL CABLE		1	
13	731 23 14-01	HEXAGON NUT		2	
14	506 55 73-01	VINKELL.AS8 DIN71802		2	
15	732 21 14-01	LOCK NUT		2	
16	506 80 00-01	BRACKET		1	
17	535 47 53-16	SCREW EHHFM		2	
18	732 21 14-01	LOCK NUT		2	
19	506 56 65-01	CLIP		1	
20	738 21 02-04	BALL BEARING		1	1
21	535 48 02-01	ROLLER		1	1
22	535 48 06-01	PROTECTIVE PLATE		1	1
23	535 48 07-01	SPRING		1	1
24	535 48 08-01	BEARING SUPPORT		4	1
25	535 48 09-01	BEARING SUPPORT		5	1
26	535 48 10-01	REINFORCEMENT PLATE		3	1
27	535 47 88-01	PEDAL RUBBER		1	1
28	535 47 88-02	PEDAL RUBBER		1	1
29	506 53 85-01	LOCKING ARM		1	10
30	506 53 86-01	BRACKET		1	10
31	506 53 89-01	SPRING		1	10
32	506 53 88-01	SHAFT		1	10
33	735 58 35-01	WASHER		2	10
34	506 53 87-04	CONTROL BUTTON		1	10
35	729 53 29-71	SCREW CRPANT		1	10

G1 R 422 Ts, R 422 Ts AWD
STEERING SYSTEM

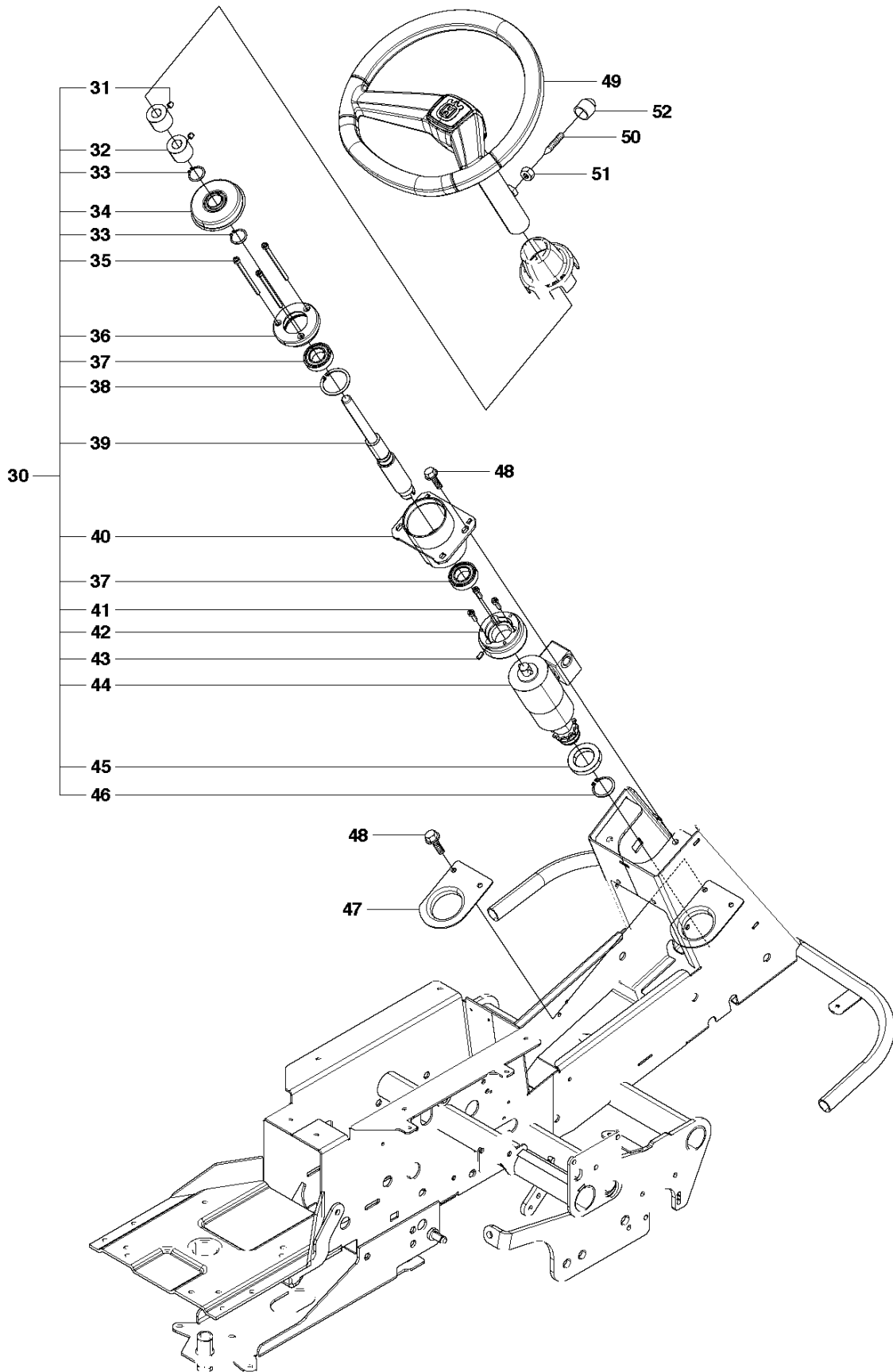


STEERING

R 422 Ts

Ref	Part No	Description	Remark	QTY	KIT
1	506 93 47-02	SPINDLE		1	
2	738 21 10-04	BALL BEARING		1	
3	738 21 05-04	BALL BEARING		1	
4	735 31 40-10	CIRCLIP		1	
5	735 31 26-00	CIRCLIP		1	
6	535 46 30-01	SWING AXLE		1	
7	735 31 26-00	CIRCLIP		2	
8	506 77 34-01	WASHER		2	
9	740 68 14-21	V-RING		1	
13	506 59 74-01	SCREW EHHFM		1	
14	544 42 73-01	WIRE GUIDE		1	
15	577 19 99-03	WIRE ASSY		2	
16	731 23 20-51	HEXAGON NUT		2	
17	506 50 09-03	BARRING WHEEL		1	
18	535 42 41-01	BARRING WHEEL		1	17
19	735 31 40-10	CIRCLIP		1	17
20	738 22 04-19	BALL BEARING		1	17
21	506 50 08-02	BUSHING		1	17
22	725 25 00-51	SCREW EHHM		1	
23	734 11 74-41	WASHER		1	
24	732 21 20-51	NUT		2	
25	506 52 24-01	STARTER PULLEY		2	
26	506 53 94-03	SHAFT		1	
27	735 31 14-20	E-CLIP		2	
28	506 55 46-01	CHAIN		1	
29	506 55 47-01	LINKAGE		2	

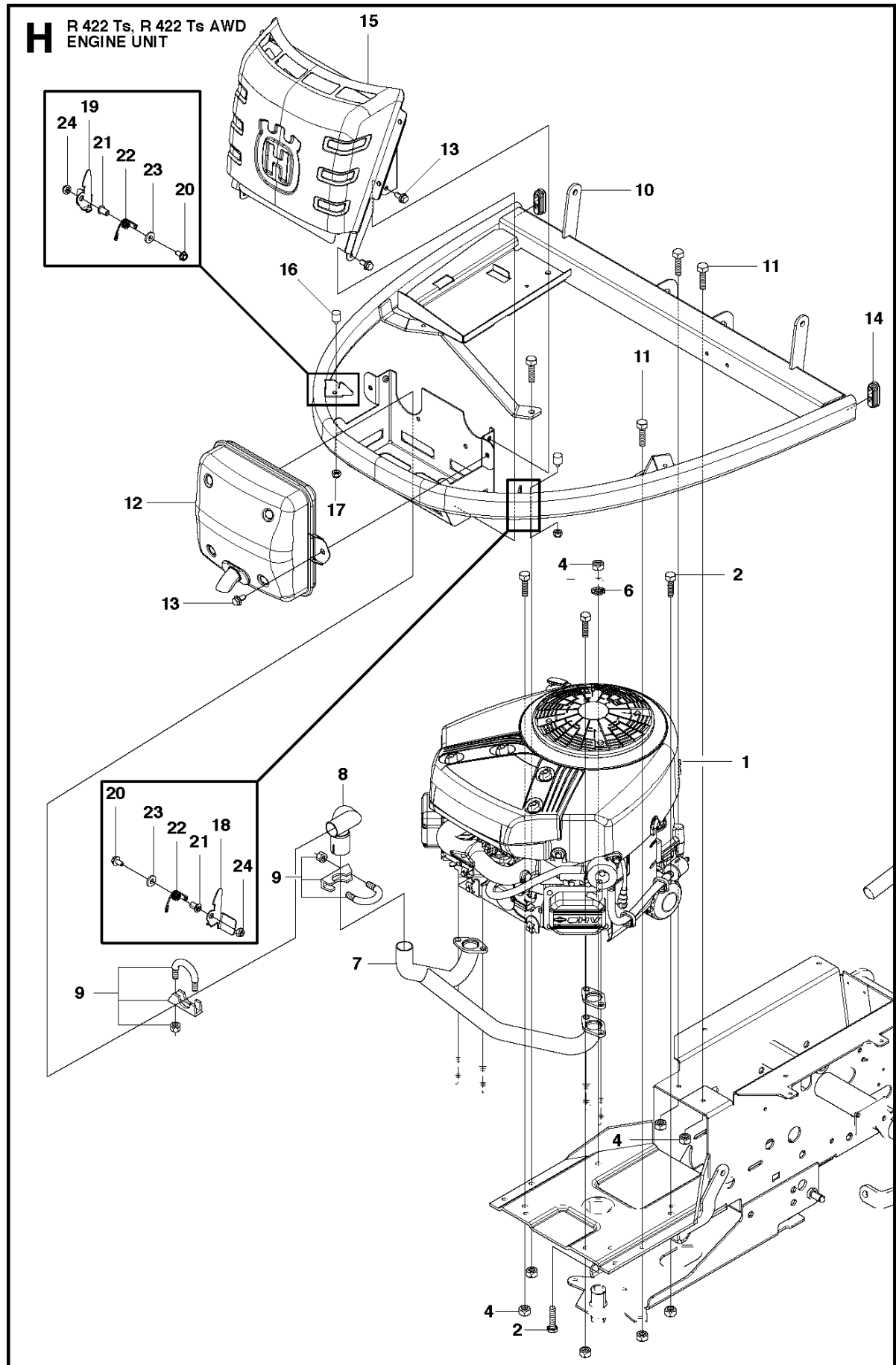
G2 R 422 Ts, R 422 Ts AWD
STEERING SYSTEM



STEERING

R 422 Ts

Ref	Part No	Description	Remark	QTY	KIT
30	502 63 60-01	COMFORT STEERING		1	
31	728 84 43-05	SCREW IHSETM		2	30
32	506 86 34-01	DRIVER		2	30
33	735 31 26-00	CIRCLIP		2	30
34	535 42 37-01	BELLOWS		1	30
35	535 43 28-01	SCREW IHSCM		3	30
36	535 42 36-01	BEARING HOUSING		1	30
37	738 21 05-04	BALL BEARING		2	30
38	735 31 40-10	CIRCLIP		1	30
39	535 42 19-01	STEERING ROD		1	30
40	502 29 62-01	REINFORCING TUBE		1	30
41	725 53 70-01	SCREW IHSCM		3	30
42	535 42 35-01	BEARING HOUSING		1	30
43	721 43 35-01	SPRING PIN		1	30
44	535 45 71-02	COMFORT STEERING		1	30
45	535 42 78-01	BALL BEARING		1	30
46	735 31 33-00	CIRCLIP		1	30
47	504 53 82-01	BEARING CAGE		1	
48	506 57 01-04	SCREW EHHFM		4	
49	544 37 52-01	STEERING WHEEL		1	
50	728 74 55-05	SCREW IHSETM		1	
51	731 23 18-01	HEXAGON NUT		1	
52	544 43 32-01	PROTECTIVE COVER		1	

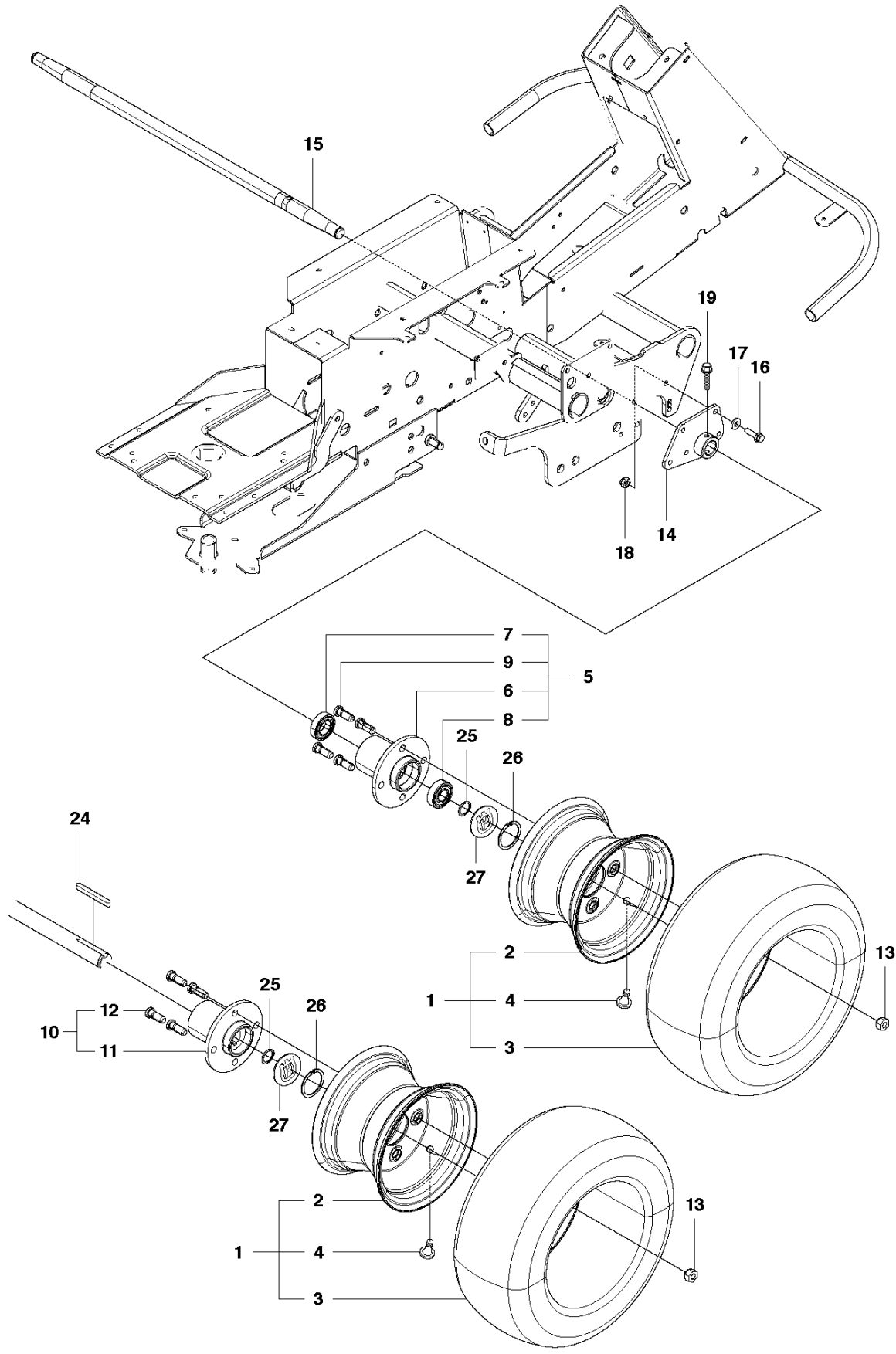


ENGINE

R 422 Ts

Ref	Part No	Description	Remark	QTY KIT
1	576 84 03-01	ENGINE	For 966632301, <2011-11	1
1	576 84 03-03	ENGINE	For 966772801, 2011-11>	1
2	725 24 57-51	SCREW		4
4	732 21 18-01	LOCK NUT		8
6	735 21 64-00	LOCKWASHER		1
7	576 67 97-01	MANIFOLD		1
8	576 68 02-01	EXHAUST EXTENDER		1
9	506 66 84-01	CLAMP ASSY		2
10	502 53 04-02	ENGINE FRAME	For 966632301, <2011-11	1
10	578 86 58-01	ENGINE FRAME	For 966772801, 2011-11>	1
11	725 24 51-71	SCREW EHHM		4
12	576 74 37-01	MUFFLER		1
13	535 47 52-12	SCREW EHHFM		6
14	504 64 36-01	PLUG		2
15	505 39 55-02	HEAT PROTECTOR		1
16	504 63 88-01	DAMPER		2
17	732 21 14-01	LOCK NUT		2
18	504 61 34-03	LATCH	RIGHT	1
19	504 61 34-04	LATCH	LEFT	1
20	535 47 52-30	SCREW EHHFM		2
21	504 63 84-01	BUSHING		2
22	504 63 90-01	SPRING		2
23	734 11 54-41	WASHER		2
24	732 21 16-01	LOCK NUT		2

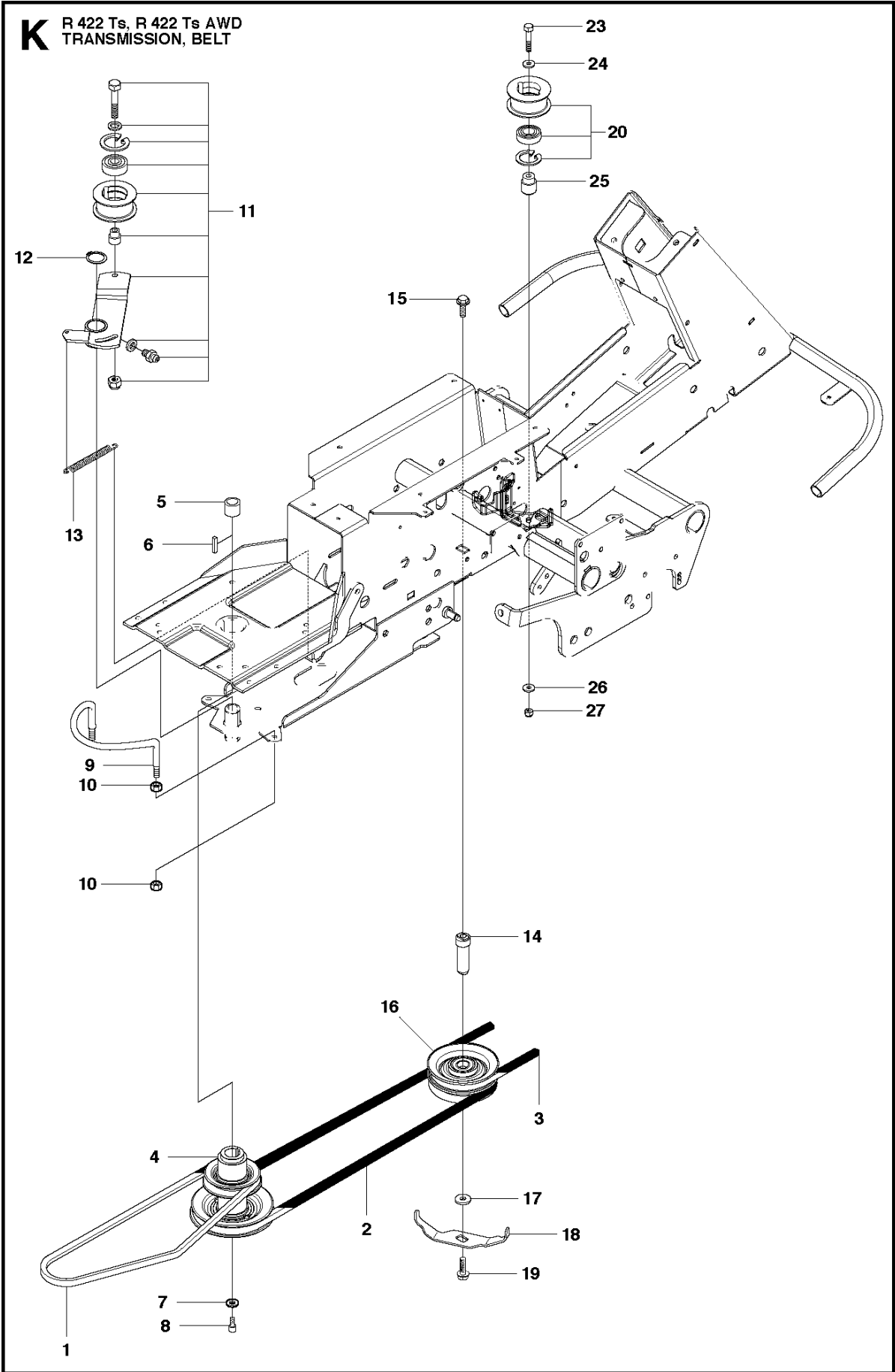
J1 R 422 Ts
WHEEL ASSY



WHEELS & TIRES

R 422 Ts

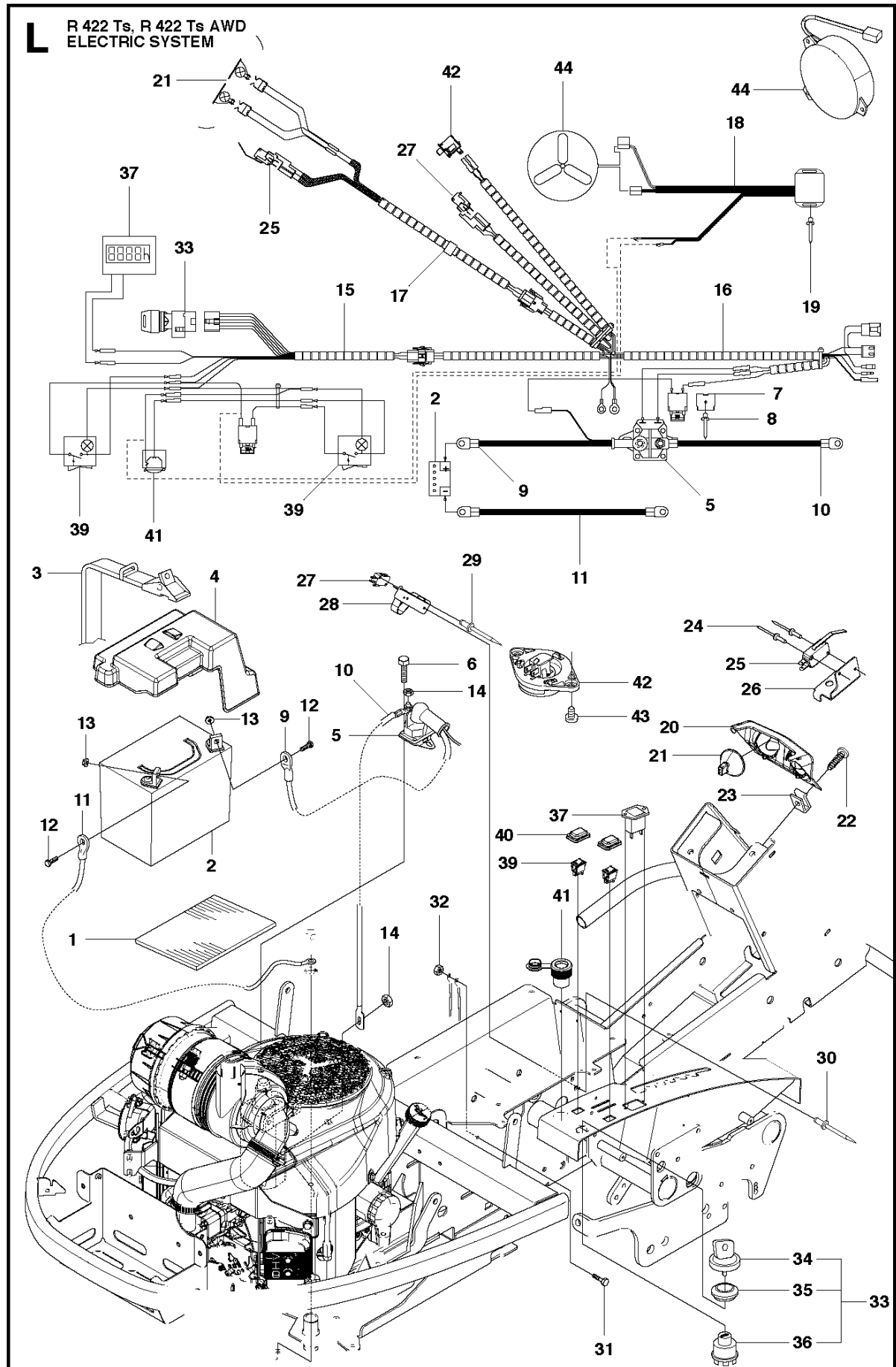
Ref	Part No	Description	Remark	QTY KIT
1	504 63 00-02	WHEEL ASSY		4
2	506 86 78-01	RIM		1
3	535 46 79-01	TIRE		1
4	506 57 43-01	VALVE ASSY		1
5	577 57 32-01	HUB ASSY		2
6	506 89 01-01	HUB		1
7	738 21 05-04	BALL BEARING		1
8	738 22 04-19	BALL BEARING		1
9	506 89 02-01	BOLT		4
10	577 57 30-01	HUB ASSY		2
11	506 89 00-01	HUB		1
12	506 89 02-01	BOLT		4
13	506 86 50-01	WHEEL NUT		16
14	504 61 98-01	BRACKET		2
15	505 45 30-01	FRONT AXLE		1
16	506 57 01-05	SCREW EHHFM		6
17	734 11 64-01	WASHER		6
18	732 21 18-01	LOCK NUT		6
19	725 24 59-61	SCREW EHHFT		1
24	506 55 59-01	WEDGE		2
25	735 31 22-00	CIRCLIP		2
26	735 31 41-10	CIRCLIP		4
27	577 59 15-01	COVER WASHER		4



TRANSMISSION

R 422 Ts

Ref	Part No	Description	Remark	QTY KIT
1	506 99 19-01	DRIVE BELT		1
2	589 53 29-01	BELT		1
3	589 53 11-01	BELT		1
4	535 48 24-01	PULLEY		1
5	506 50 92-01	SPACING SLEEVE		1
6	506 55 59-01	WEDGE		1
7	506 59 75-01	WASHER		1
8	506 55 60-02	SCREW UNC		1
9	506 66 45-01	BELT GUIDE		1
10	731 23 20-51	HEXAGON NUT		4
11	535 48 44-02	BELT TENSIONER ASSY		1
12	735 31 26-00	CIRCLIP		1
13	506 66 56-01	SPRING		1
14	544 42 61-02	SHAFT		1
15	506 67 54-02	SCREW EHHFM		1
16	535 48 22-01	PULLEY		1
17	506 77 57-01	WASHER		1
18	544 40 53-01	BELT GUIDE		1
19	506 57 01-05	SCREW EHHFM		1
20	505 15 39-01	BELT TENSIONER WHEEL ASSY		1
23	725 24 61-51	SCREW EHHM		1
24	734 11 64-41	WASHER		1
25	544 00 29-01	BUSHING		1
26	734 11 64-01	WASHER		1
27	732 21 18-01	LOCK NUT		1

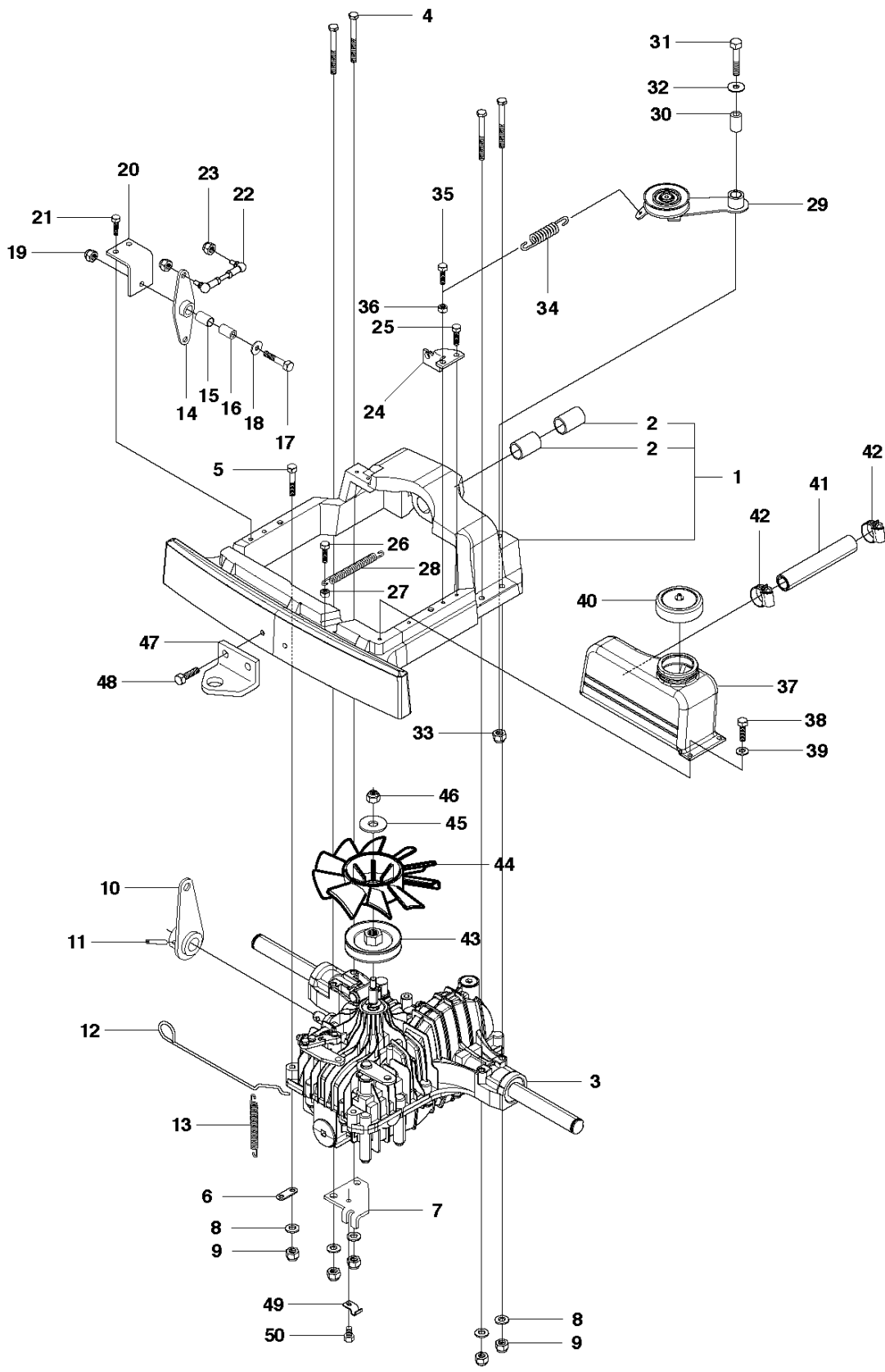


ELECTRICAL

R 422 Ts

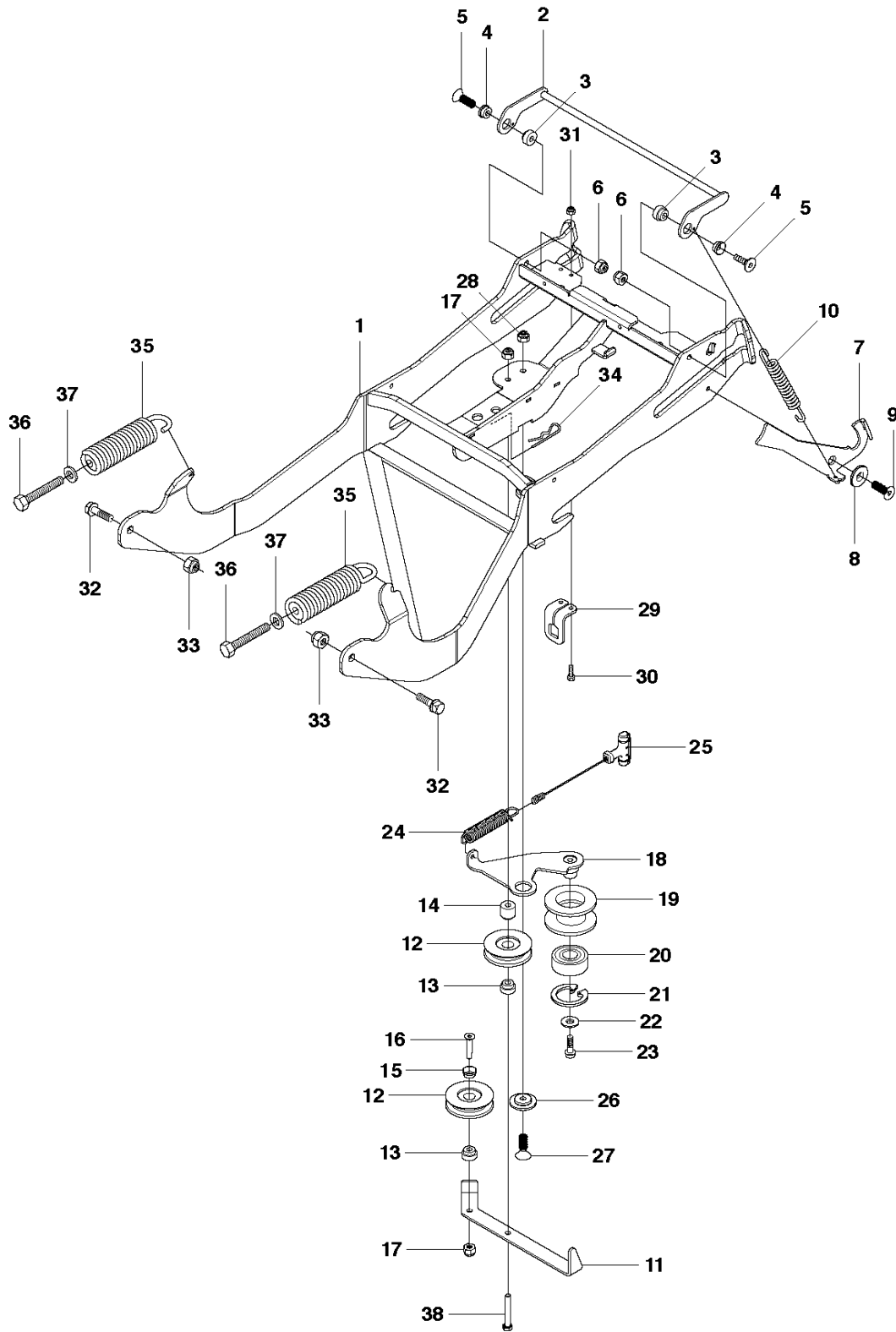
Ref	Part No	Description	Remark	QTY	KIT
1	535 44 11-01	BATTERY MAT		1	
2	577 04 16-01	BATTERY		1	
3	506 83 68-02	BELT		1	
4	504 63 92-02	COVER	For 966632301	1	
5	544 43 98-01	RELAY		1	
6	725 23 64-61	SCREW EHHFT		1	
7	501 00 75-01	CLIP	For 966632301	1	
8	722 78 22-09	BLIND RIVET	For 966632301	1	
9	578 89 65-01	CABLE		1	
10	576 18 39-01	CABLE		1	
11	576 18 38-01	CABLE		1	
12	522 62 21-01	SCREW EHHM		2	
13	522 62 43-01	NUT		2	
14	506 89 98-01	NUT		3	
15	580 61 65-01	WIRING		1	
15	577 01 37-01	WIRING	For 9966632301, <2011-03	1	
16	580 61 64-01	WIRING		1	
16	577 01 34-01	WIRING	For 966632301,<2011-03	1	
17	577 01 35-01	WIRING		1	
18	504 63 94-01	THERMOSTAT ASSY	PF21 AWD	1	
19	722 78 29-02	BLIND RIVET	PF21 AWD	2	
20	535 44 67-01	HOUSING		1	
21	535 44 68-01	LAMP		2	
22	535 41 56-19	SCREW		2	
23	506 89 20-01	SPEED NUT		2	
24	544 44 07-01	RIVET		2	
25	574 31 61-01	SWITCH		1	
26	544 41 57-01	BRACKET		1	
27	574 31 60-01	SWITCH		1	
28	535 45 70-01	PLATE SPRING		1	
29	544 44 07-01	RIVET		2	
30	722 78 39-02	BLIND RIVET		2	
31	725 23 25-51	SCREW		1	
32	731 23 14-01	HEXAGON NUT		1	
33	535 47 49-01	KEY SWITCH		1	
34	535 47 60-01	IGNITION KEY		1	33
35	535 47 50-01	WASHER		1	33
36	504 85 17-01	KEY SWITCH		1	33
37	577 09 27-01	HOUR METER		1	
39	535 46 23-01	SWITCH		2	
40	535 46 24-01	SHIELDING MEDIUM		2	
41	535 47 48-01	POWER SOCKET		1	
42	582 87 66-01	SWITCH		1	
43	503 21 88-16	SCREW IHST		2	
44	504 62 93-01	FAN	PF21 AWD	1	

M1 R 422 Ts
CHASSIS, REAR



Ref	Part No	Description	Remark	QTY	KIT
1	535 40 61-01	BRACKET		1	
2	506 98 61-02	GLIDLAGER		2	1
3	577 53 18-01	TRANSMISSION		1	
4	504 62 82-01	SCREW EHHM		4	
5	725 24 66-51	SCREW		1	
6	506 59 93-01	LINK		1	
7	506 99 15-01	BRACKET		1	
8	734 11 64-01	WASHER		5	
9	732 21 18-01	LOCK NUT		5	
10	506 99 24-01	LEVER		1	
11	721 43 47-01	SPRING PIN		1	
12	505 49 01-01	ARM		1	
13	506 83 43-01	SPRING		1	
14	506 99 16-01	LEVER		1	
15	506 98 61-03	BUSHING		1	
16	506 99 20-01	PIPE		1	
17	725 24 60-51	SCREW EHHM		1	
18	734 11 64-41	WASHER		1	
19	732 21 18-01	LOCK NUT		1	
20	506 99 21-01	LEVER		1	
21	725 24 49-71	SCREW EHHM		2	
22	506 99 22-01	ADJUSTMENT ROD		1	
23	732 21 16-01	LOCK NUT		2	
24	506 99 28-01	BRACKET		1	
25	725 23 68-71	SCREW EHHM		1	
26	725 23 72-71	SCREW EHHM		1	
27	731 23 16-01	HEXAGON NUT		1	
28	506 53 56-03	DRAW SPRING		1	
29	506 99 30-01	BELT TENSIONER ASSY		1	
30	506 99 20-01	PIPE		1	
31	725 24 62-51	SCREW EHHM		1	
32	734 11 64-41	WASHER		1	
33	732 21 18-01	LOCK NUT		1	
34	506 54 25-02	SPRING		1	
35	725 23 72-71	SCREW EHHM		1	
36	731 23 16-01	HEXAGON NUT		1	
37	535 45 81-01	EXPANSION TANK		1	
38	725 23 68-71	SCREW EHHM		2	
39	734 11 54-41	WASHER		2	
40	506 67 33-01	TANK CAP ASSY		1	
41	535 45 83-01	HOSE		1	
42	505 44 36-01	HOSE CLAMP		2	
43	506 99 14-01	PULLEY		1	
44	506 94 81-01	FAN		1	
45	734 11 74-41	WASHER		1	
46	732 21 20-01	LOCK NUT		1	
47	506 88 99-01	HITCH		1	
48	725 24 93-71	SCREW EHHM		2	
49	506 56 65-01	CLIP		1	
50	725 23 66-71	SCREW EHHM		1	

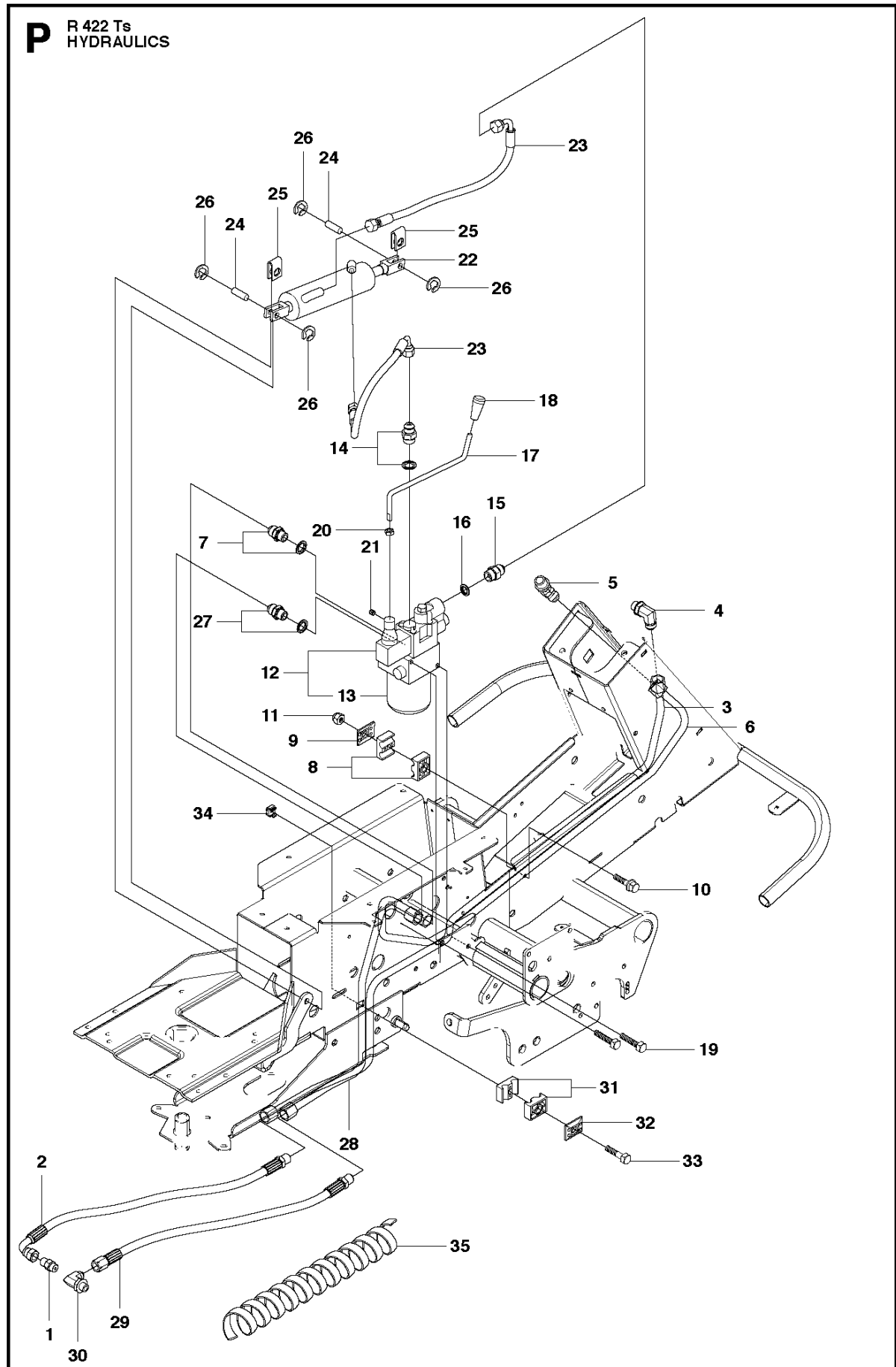
EQUIPMENT FRAME ASSY



FRAME

R 422 Ts

Ref	Part No	Description	Remark	QTY KIT
1	586 19 30-01	EQUIPMENT FRAME		1
2	504 55 78-01	HOOK		1
3	544 00 34-01	BUSHING		2
4	506 99 33-02	SLEEVE		2
5	725 64 59-01	SCREW IHCSFM		2
6	732 21 18-01	LOCK NUT		2
7	504 55 80-01	LEVER		1
8	506 91 87-01	WASHER		1
9	725 64 48-01	SCREW IHCSFM		1
10	506 53 56-03	DRAW SPRING		1
11	504 81 28-01	BELT GUIDE		1
12	544 00 46-01	PULLEY ASSY		2
13	544 00 34-01	BUSHING		2
14	544 00 34-02	BUSHING		1
15	506 99 33-02	SLEEVE		1
16	725 64 59-01	SCREW IHCSFM		1
17	732 21 18-01	LOCK NUT		2
18	504 62 19-01	BELT TENSIONER		1
19	506 92 89-01	PULLEY		1
20	738 21 04-04	BALL BEARING		1
21	735 31 38-10	CIRCLIP		1
22	734 11 64-41	WASHER		1
23	506 55 83-02	SCREW EHHFT		1
24	504 62 24-01	SPRING		1
25	504 62 21-01	HANDLE ASSY		1
26	505 45 17-01	WASHER		1
27	725 64 53-01	SCREW IHCSFM		1
28	732 21 18-01	LOCK NUT		1
29	504 62 17-01	GUIDE		1
30	725 23 68-71	SCREW EHHM		2
31	732 21 16-01	LOCK NUT		2
32	506 89 58-01	COLLAR SCREW		2
33	732 25 22-01	HEXAGON LOCKING NUT		2
34	506 96 66-01	HAIR PIN COTTER		1
35	505 42 09-01	SPRING		2
36	725 25 15-71	SCREW EHHM		2
37	734 11 72-01	WASHER		2
38	725 24 62-51	SCREW EHHM		1



HYDRAULICS

R 422 Ts

Ref	Part No	Description	Remark	QTY	KIT
1	535 42 65-01	PIPE FITTING		1	
2	535 45 03-01	HYDRAULIC HOSE		1	
3	544 83 42-01	HYDRAULIC PIPE		1	
4	535 43 73-01	PIPE FITTING		1	
5	535 42 69-01	PIPE FITTING		1	
6	504 20 99-01	HYDRAULIC PIPE		1	
7	535 42 68-01	PIPE FITTING		1	
8	544 37 33-03	PIPE CLAMP		1	
9	535 43 85-01	COVER WASHER		1	
10	535 47 52-45	SCREW EHHFM		1	
11	732 21 16-01	LOCK NUT		1	
12	522 53 56-01	FILTER UNIT		1	
13	535 42 75-02	FILTER		1	12
14	535 43 70-01	PIPE FITTING		1	
15	535 43 71-01	PIPE FITTING		1	
16	535 43 72-01	WASHER		1	
17	505 44 00-01	LIFTING LEVER		1	
18	535 43 82-01	KNOB		1	
19	725 24 49-71	SCREW EHHM		2	
20	731 23 18-01	HEXAGON NUT		1	
21	728 84 43-05	SCREW IHSETM		1	
22	535 42 72-01	CYLINDER ASSY		1	
23	535 42 71-03	HYDRAULIC HOSE		2	
24	535 43 76-01	LOCKING PIN		2	
25	535 45 66-01	U-PLÅT		2	
26	735 31 12-00	CIRCLIP		4	
27	535 42 68-01	PIPE FITTING		1	
28	544 83 44-01	HYDRAULIC PIPE		1	
29	535 45 04-02	HYDRAULIC HOSE		1	
30	535 42 66-01	PIPE FITTING		1	
31	544 37 33-03	PIPE CLAMP		1	
32	535 43 85-01	COVER WASHER		1	
33	535 47 52-45	SCREW EHHFM		1	
34	544 81 17-02	CAGE NUT		1	
35	544 02 66-01	HOSE GUARD		1	

S R 422 Ts, R 422 Ts AWD
LABEL, ASSY

3



1



2



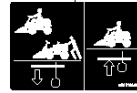
6



4



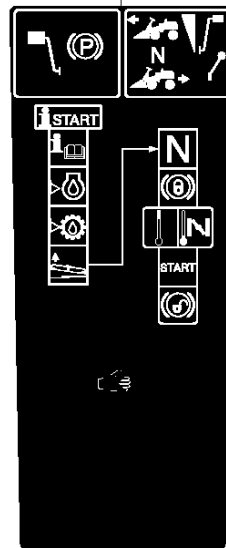
5



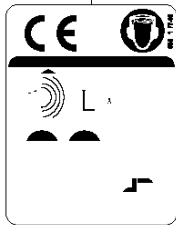
7



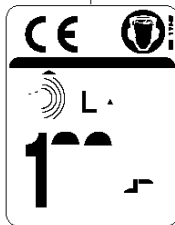
8



10



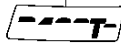
10



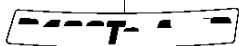
11



12



13



14



15



16

17

18

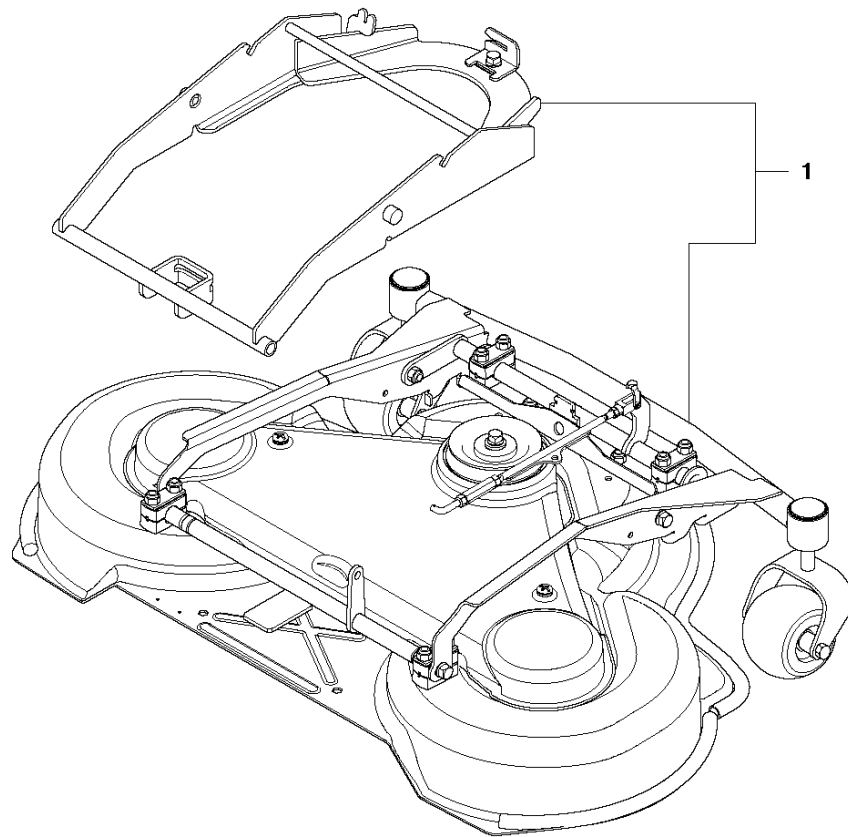


DECALS

R 422 Ts

Ref	Part No	Description	Remark	QTY KIT
1	535 46 28-01	CONTROL LABEL		1
2	506 89 33-01	DECAL		1
3	506 89 34-01	DECAL		1
4	506 89 35-01	DECAL		1
5	544 21 14-01	LABEL	R 422 Ts AWD	2
5	544 21 14-01	LABEL	R 422 Ts	1
6	544 83 35-01	LABEL	R 422 Ts AWD	2
7	506 96 83-01	DECAL		1
8	506 94 48-01	LABEL		1
10	505 21 77-05	LABEL	CombiClip 112	1
10	505 21 77-07	LABEL	CombiClip 122	1
11	506 58 45-01	LABEL	R 422 Ts	1
12	505 51 45-03	LABEL	R 422 Ts AWD	1
13	505 51 44-03	LABEL		1
14	505 51 66-01	LABEL		1
15	505 51 67-01	LABEL		2
16	544 39 11-02	LABEL		1
17	544 39 11-01	LABEL		2
18	535 45 87-02	LABEL		1

T MOWER DECK, CT103

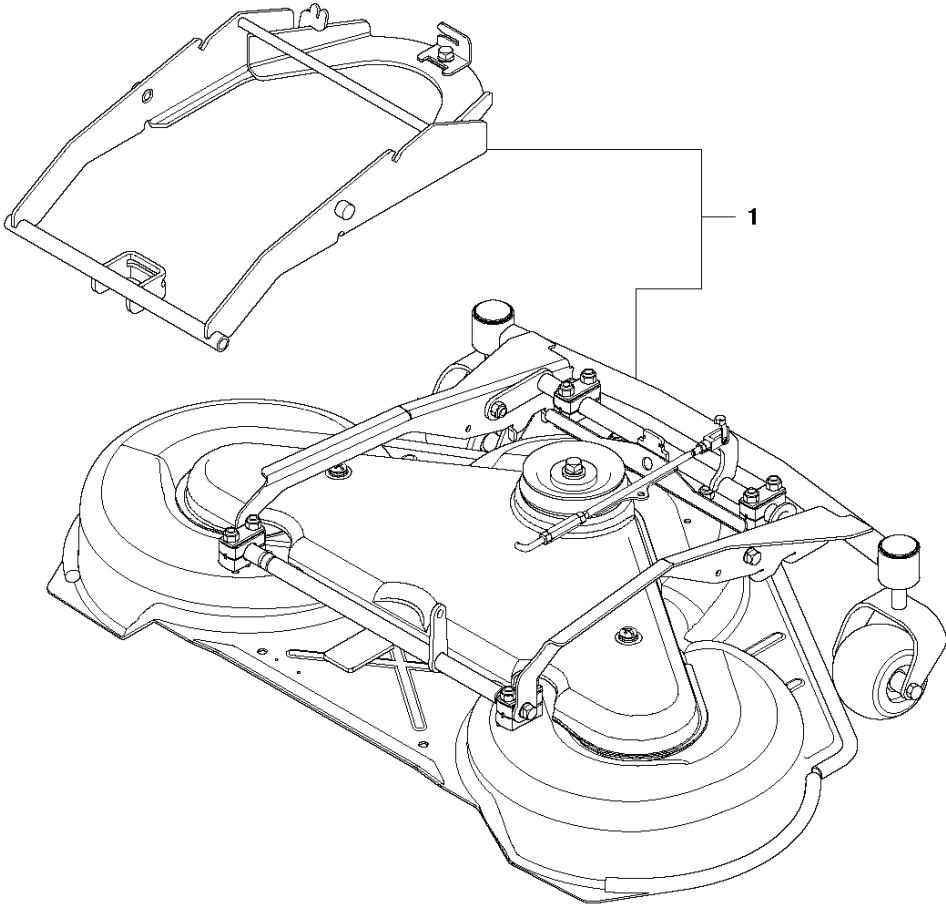


103CM CUTTING DECK

R 422 Ts

Ref	Part No	Description	Remark	QTY KIT
1	965 19 72-01	CUTTING DECK		1

U MOWER DECK, CT112

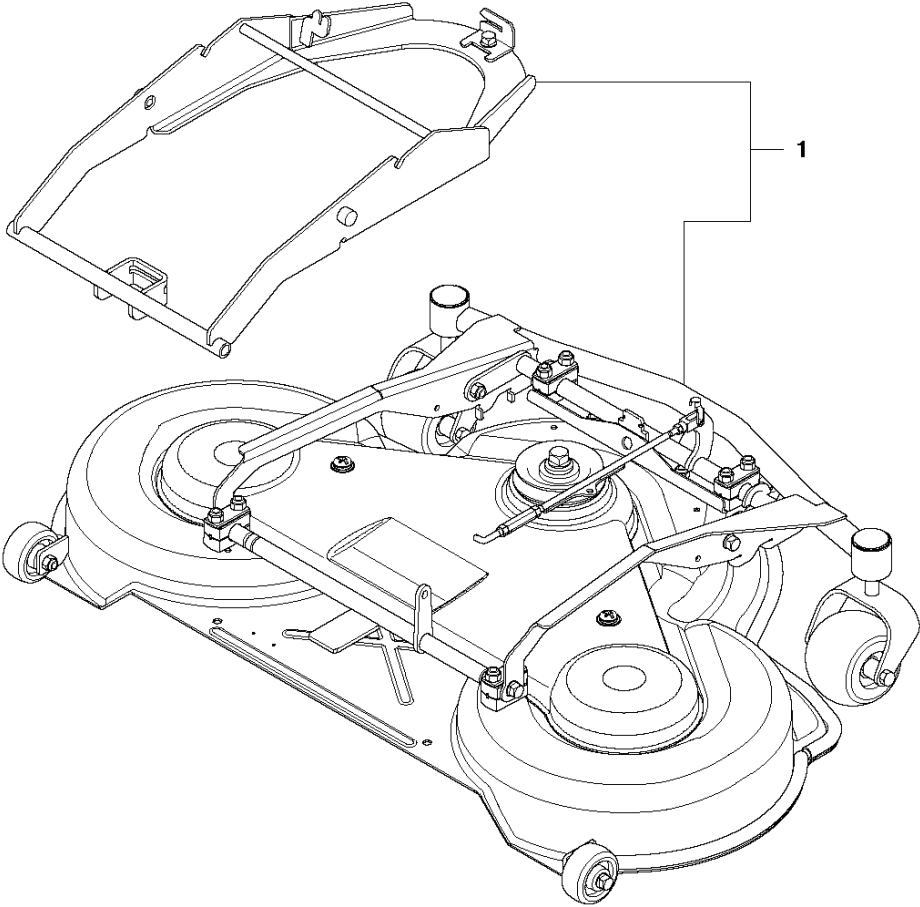


44"/112CM CUTTING DECK

R 422 Ts

Ref	Part No	Description	Remark	QTY KIT
1	965 19 73-01	CUTTING DECK		1

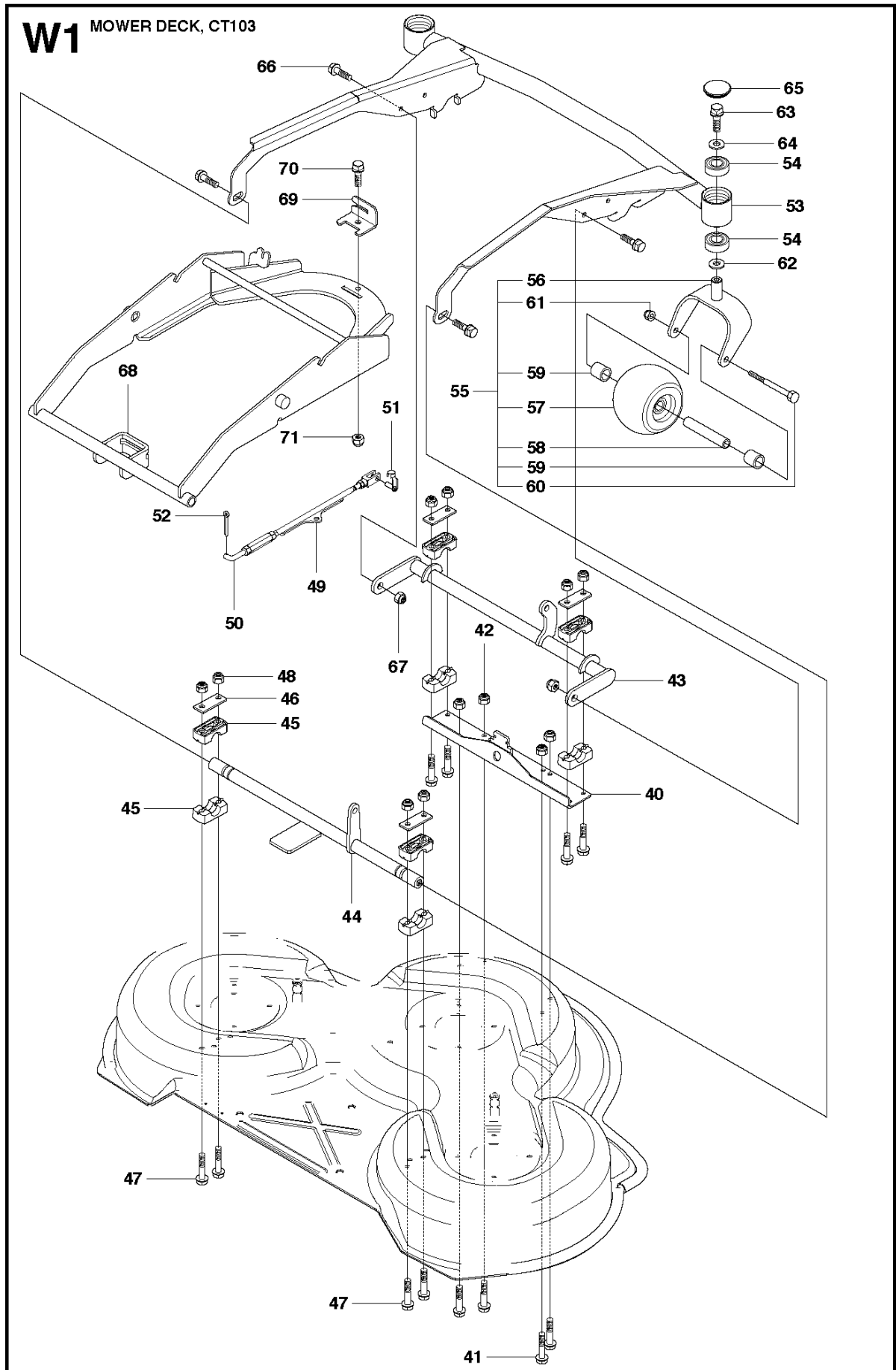
V MOWER DECK, CT122



48"/122CM CUTTING DECK

R 422 Ts

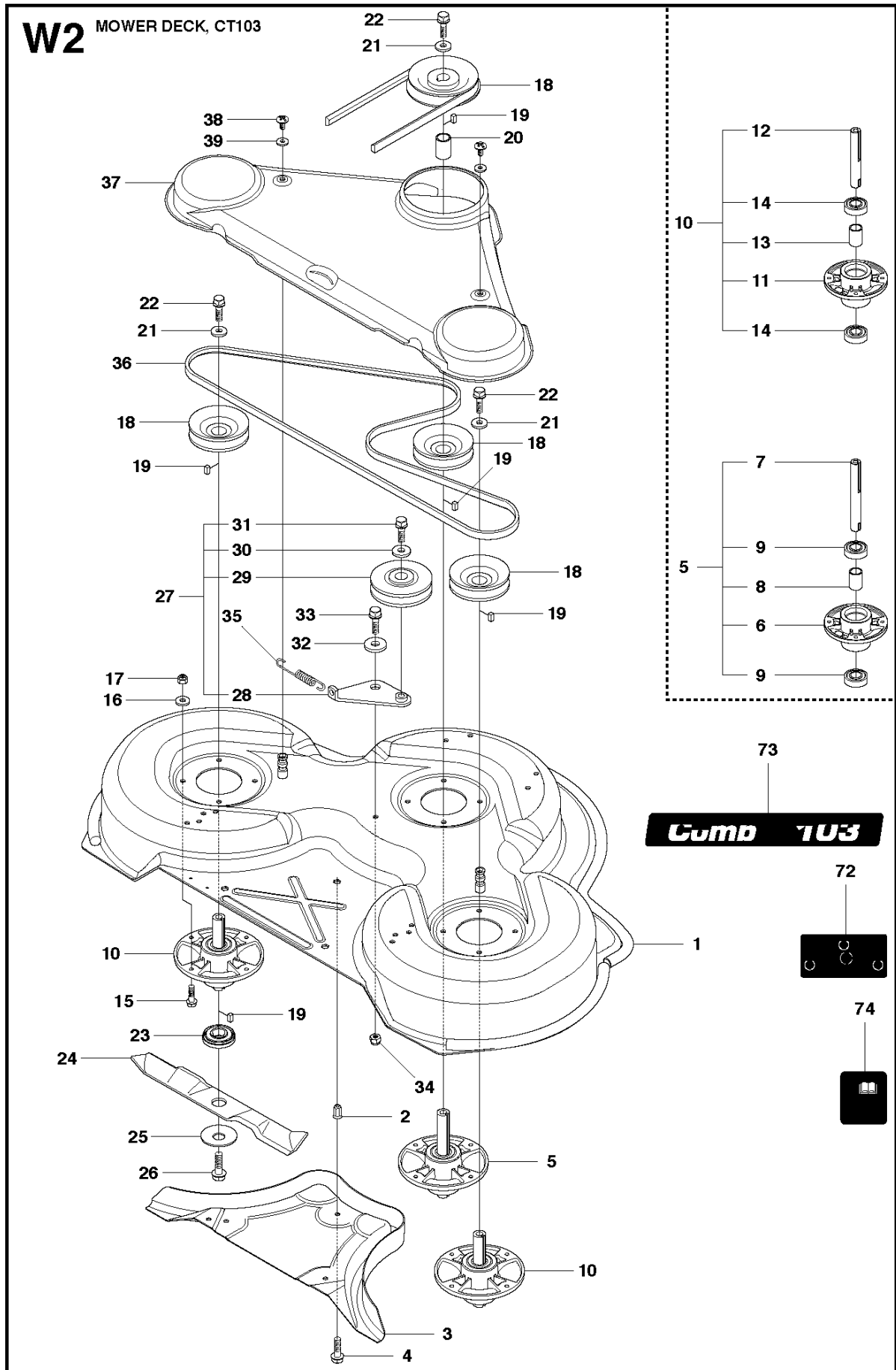
Ref	Part No	Description	Remark	QTY KIT
1	965 96 79-01	CUTTING DECK		1



103CM CUTTING DECK

R 422 Ts

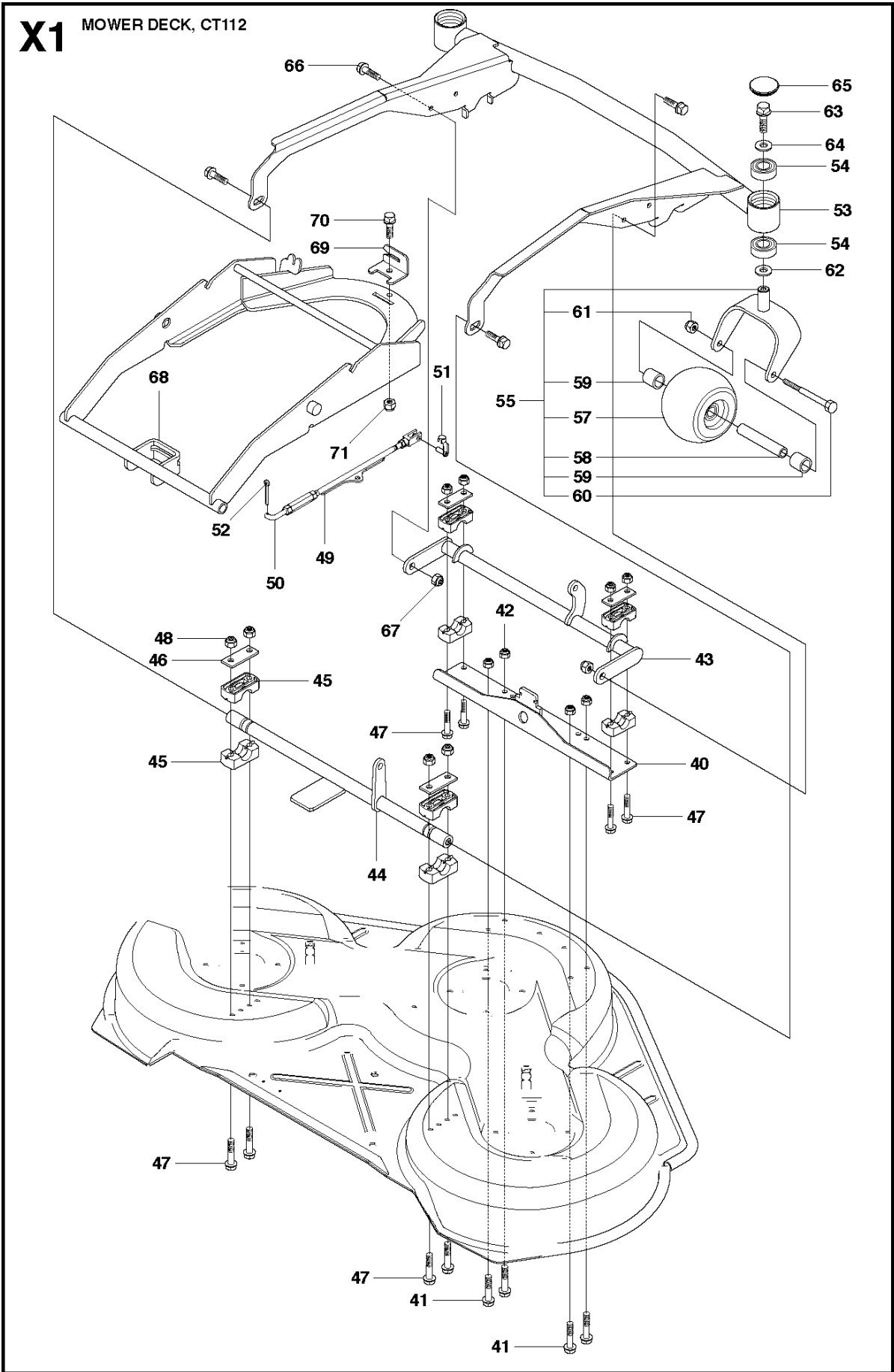
Ref	Part No	Description	Remark	QTY	KIT
40	502 64 21-02	BRACKET		1	
41	725 24 51-71	SCREW EHHM		4	
42	732 21 18-01	LOCK NUT		4	
43	502 64 18-02	CROSS BAR		1	
44	502 64 19-02	CROSS BAR		1	
45	506 86 96-01	BEARING		8	
46	506 81 38-01	REINFORCING PLATE		4	
47	725 24 61-51	SCREW EHHM		8	
48	732 21 18-01	LOCK NUT		8	
49	504 81 27-01	PARALLEL ROD ASSY		1	
50	502 64 23-01	PARALLEL ROD		1	
51	506 83 98-03	BOLT		1	
52	721 61 83-01	SPLIT PIN		1	
53	502 64 20-02	DECK FRAME		1	
54	738 21 04-04	BALL BEARING		4	
55	535 50 59-01	PIVOTHJUL		2	
56	535 50 46-01	FORK		1	55
57	506 96 30-01	WHEEL ASSY		1	55
58	506 81 08-02	TUBE		1	55
59	506 87 41-02	SPACER		2	55
60	725 25 19-51	SCREW EHHM		1	55
61	732 21 20-51	NUT		1	55
62	506 50 48-05	WASHER		2	
63	506 57 01-04	SCREW EHHFM		2	
64	734 11 64-41	WASHER		2	
65	544 01 70-01	HUB CAP		2	
66	506 59 74-01	SCREW EHHFM		4	
67	732 21 18-01	LOCK NUT		2	
68	502 63 95-01	DECK ATTACHMENT		1	
69	502 64 24-01	LOCK		1	
70	725 24 51-71	SCREW EHHM		1	
71	732 21 18-01	LOCK NUT		1	



103CM CUTTING DECK

R 422 Ts

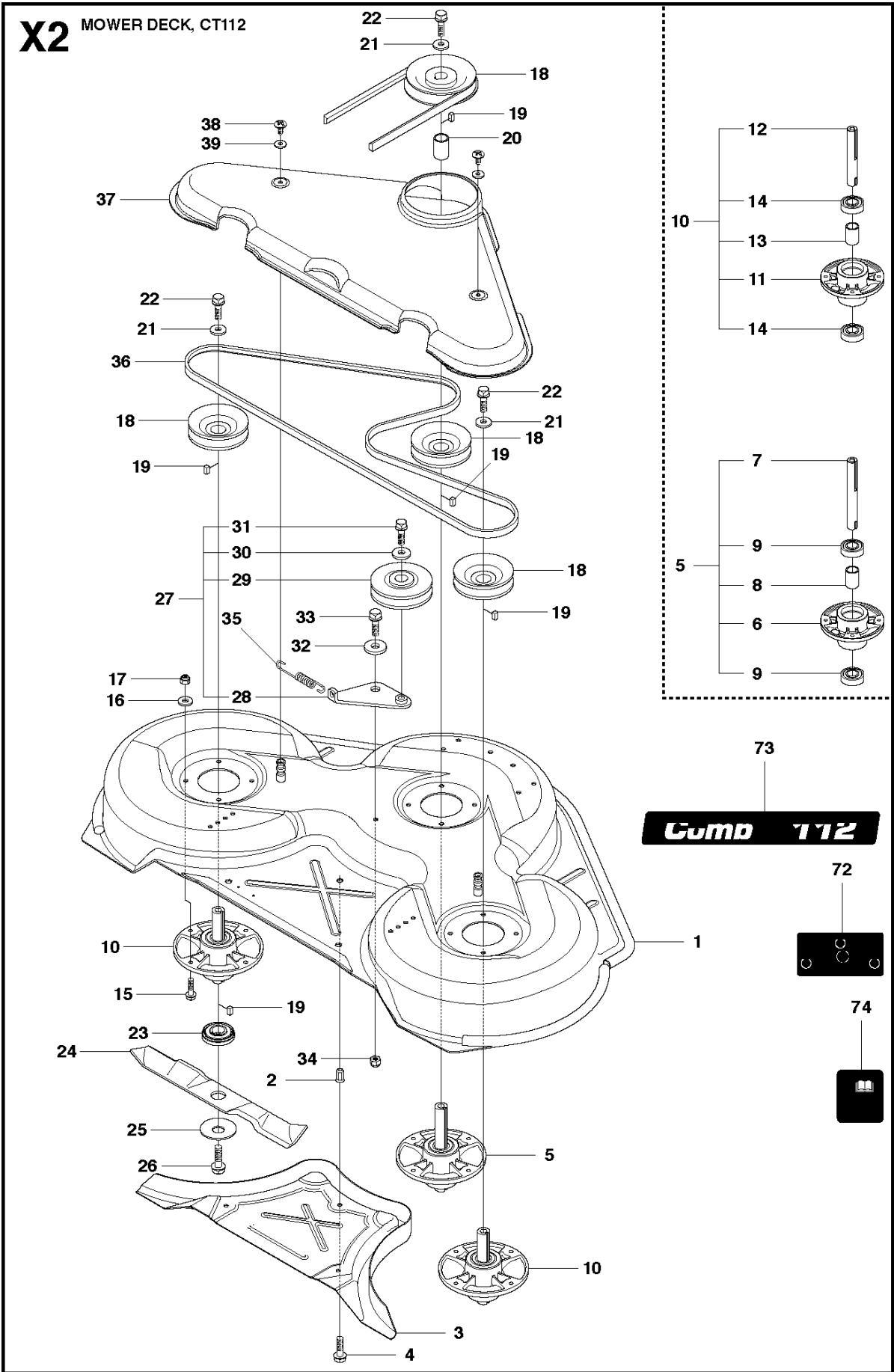
Ref	Part No	Description	Remark	QTY	KIT
1	504 56 98-01	DECK SHELL ASSY		1	
2	506 91 62-01	NUT		3	
3	544 44 92-01	PLUG		1	
4	506 57 01-04	SCREW EHHFM		3	
5	535 50 35-01	MANDREL		1	
6	544 06 78-01	BEARING HOUSING		1	5
7	535 42 87-01	SHAFT		1	5
8	535 42 88-01	SPACER		1	5
9	738 22 05-19	BALL BEARING		2	5
10	535 50 35-02	MANDREL		2	
11	544 06 78-01	BEARING HOUSING		1	10
12	535 42 87-02	SHAFT		1	10
13	535 42 88-01	SPACER		1	10
14	738 22 05-19	BALL BEARING		2	10
15	535 42 38-01	SCREW RSQM		12	
16	734 11 64-01	WASHER		12	
17	732 21 18-01	LOCK NUT		12	
18	535 42 90-01	PULLEY		4	
19	506 53 35-01	PARALLEL KEY		7	
20	535 42 88-01	SPACER		1	
21	535 42 92-01	WASHER		3	
22	725 25 42-51	SCREW EHHM		3	
23	535 50 42-01	ADAPTER		3	
24	504 19 04-10	BLADE		3	
25	506 79 23-02	KNIFE PLATE		3	
26	725 25 42-51	SCREW EHHM		3	
27	506 54 07-01	BELT TENSIONER ASSY		1	
28	506 51 95-01	SPÄNNARM KPL.		1	27
29	506 53 27-01	PULLEY		1	27
30	734 11 64-41	WASHER		1	27
31	506 55 83-02	SCREW EHHFT		1	27
32	506 91 87-02	WASHER		1	
33	725 24 51-71	SCREW EHHM		1	
34	732 21 18-01	LOCK NUT		1	
35	506 53 31-01	SPRING		1	
36	589 53 44-01	BELT		1	
37	544 09 61-01	BELT COVER		1	
38	506 98 26-01	SCREW		2	
39	506 55 97-01	WASHER		2	
72	506 78 97-01	LABEL		1	
73	544 23 81-11	LABEL		1	
74	506 92 90-01	LABEL		1	



44"/112CM CUTTING DECK

R 422 Ts

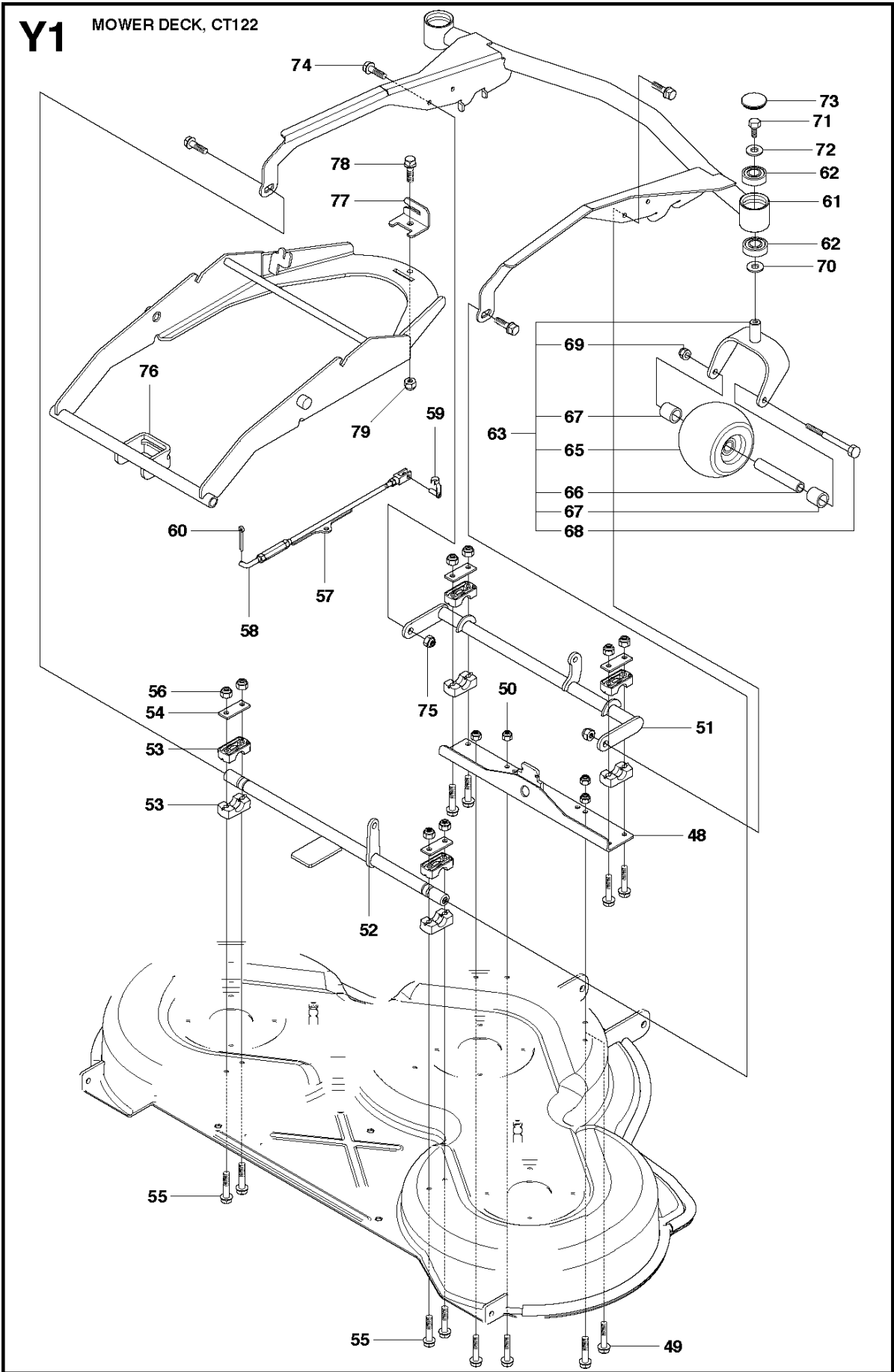
Ref	Part No	Description	Remark	QTY	KIT
40	502 64 21-02	BRACKET		1	
41	725 24 51-71	SCREW EHHM		4	
42	732 21 18-01	LOCK NUT		4	
43	502 64 18-02	CROSS BAR		1	
44	502 64 19-02	CROSS BAR		1	
45	506 86 96-01	BEARING		8	
46	506 81 38-01	REINFORCING PLATE		4	
47	725 24 61-51	SCREW EHHM		8	
48	732 21 18-01	LOCK NUT		8	
49	504 81 27-01	PARALLEL ROD ASSY		1	
50	502 64 23-01	PARALLEL ROD		1	
51	506 83 98-03	BOLT		1	
52	721 61 83-01	SPLIT PIN		1	
53	502 64 20-02	DECK FRAME		1	
54	738 21 04-04	BALL BEARING		4	
55	535 50 59-01	PIVOTHJUL		2	
57	506 96 30-01	WHEEL ASSY		1	55
58	506 81 08-02	TUBE		1	55
59	506 87 41-02	SPACER		2	55
60	725 25 19-51	SCREW EHHM		1	55
61	732 21 20-51	NUT		1	55
62	506 50 48-05	WASHER		2	
63	506 57 01-04	SCREW EHHFM		2	
64	734 11 64-41	WASHER		2	
65	544 01 70-01	HUB CAP		2	
66	506 59 74-01	SCREW EHHFM		4	
67	732 21 18-01	LOCK NUT		2	
68	502 63 95-01	DECK ATTACHMENT		1	
69	502 64 24-01	LOCK		1	
70	725 24 51-71	SCREW EHHM		1	
71	732 21 18-01	LOCK NUT		1	



44"/112CM CUTTING DECK

R 422 Ts

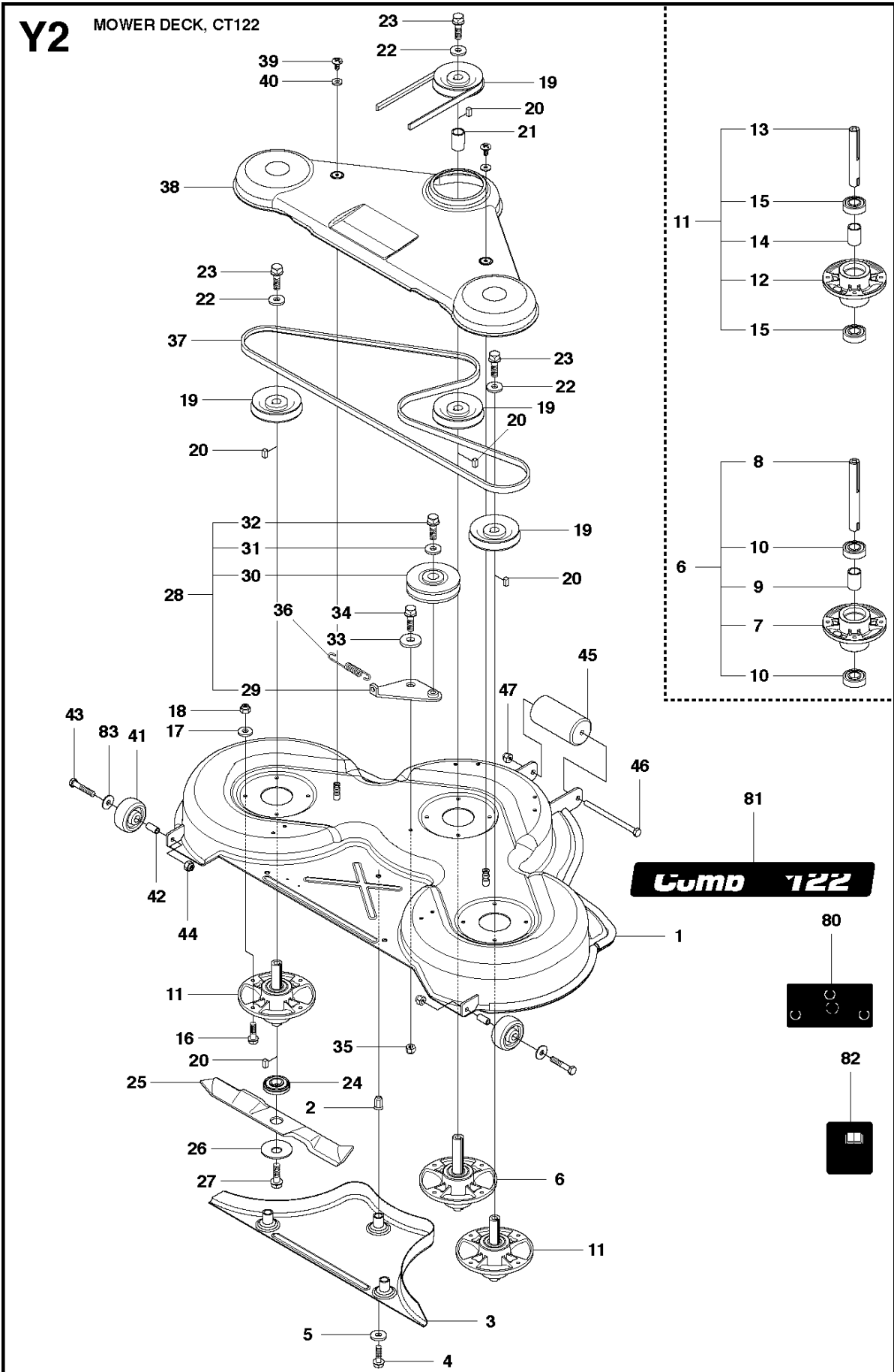
Ref	Part No	Description	Remark	QTY	KIT
1	504 56 99-01	DECK SHELL ASSY		1	
2	506 91 62-01	NUT		1	
3	544 44 93-01	PLUG		1	
4	506 57 01-04	SCREW EHHFM		1	
5	535 50 35-01	MANDREL		1	
6	544 06 78-01	BEARING HOUSING		1	5
7	535 42 87-01	SHAFT		1	5
8	535 42 88-01	SPACER		1	5
9	738 22 05-19	BALL BEARING		2	5
10	535 50 35-02	MANDREL		2	
11	544 06 78-01	BEARING HOUSING		1	10
12	535 42 87-02	SHAFT		1	10
13	535 42 88-01	SPACER		1	10
14	738 22 05-19	BALL BEARING		2	10
15	535 42 38-01	SCREW RSQM		12	
16	734 11 64-01	WASHER		12	
17	732 21 18-01	LOCK NUT		12	
18	535 42 90-01	PULLEY		4	
19	506 53 35-01	PARALLEL KEY		7	
20	535 42 88-01	SPACER		1	
21	535 42 92-01	WASHER		3	
22	725 25 42-51	SCREW EHHM		3	
23	535 50 42-01	ADAPTER		3	
24	504 18 78-10	BLADE		3	
25	506 79 23-02	KNIFE PLATE		3	
26	725 25 42-51	SCREW EHHM		3	
27	506 54 07-01	BELT TENSIONER ASSY		1	
28	506 51 95-01	SPÄNNARM KPL.		1	27
29	506 53 27-01	PULLEY		1	27
30	734 11 64-41	WASHER		1	27
31	506 55 83-02	SCREW EHHFT		1	27
32	506 91 87-02	WASHER		1	
33	725 24 51-71	SCREW EHHM		1	
34	732 21 18-01	LOCK NUT		1	
35	506 53 31-01	SPRING		1	
36	589 53 19-01	BELT		1	
37	544 09 62-01	BELT COVER		1	
38	506 98 26-01	SCREW		2	
39	506 55 97-01	WASHER		2	
72	506 78 97-01	LABEL		1	
73	544 23 81-12	LABEL		1	
74	506 92 90-01	LABEL		1	



48"/122CM CUTTING DECK

R 422 Ts

Ref	Part No	Description	Remark	QTY	KIT
48	502 64 21-02	BRACKET		1	
49	725 24 51-71	SCREW EHHM		4	
50	732 21 18-01	LOCK NUT		4	
51	502 64 18-03	CROSS BAR		1	
52	502 64 19-03	CROSS BAR		1	
53	506 86 96-01	BEARING		8	
54	506 81 38-01	REINFORCING PLATE		4	
55	725 24 61-51	SCREW EHHM		8	
56	732 21 18-01	LOCK NUT		8	
57	504 81 27-02	PARALLEL ROD ASSY		1	
58	502 64 23-01	PARALLEL ROD		1	
59	506 83 98-03	BOLT		1	
60	721 61 83-01	SPLIT PIN		1	
61	502 64 20-03	DECK FRAME		1	
62	738 21 04-04	BALL BEARING		4	
63	535 50 59-01	PIVOTHJUL		2	
65	506 96 30-01	WHEEL ASSY		1	63
66	506 81 08-02	TUBE		1	63
67	506 87 41-02	SPACER		2	63
68	725 25 19-51	SCREW EHHM		1	63
69	732 21 20-51	NUT		1	63
70	506 50 48-05	WASHER		2	
71	506 57 01-04	SCREW EHHFM		2	
72	734 11 64-41	WASHER		2	
73	544 01 70-01	HUB CAP		2	
74	506 59 74-01	SCREW EHHFM		4	
75	732 21 18-01	LOCK NUT		2	
76	502 63 95-02	DECK ATTACHMENT		1	
77	502 64 24-01	LOCK		1	
78	725 24 51-71	SCREW EHHM		1	
79	732 21 18-01	LOCK NUT		1	



48"/122CM CUTTING DECK

R 422 Ts

Ref	Part No	Description	Remark	QTY KIT
1	522 50 56-01	CUTTING DECK KIT		1
2	506 91 62-01	NUT		3
3	535 42 83-02	PLUG ASSY		1
4	725 24 60-51	SCREW EHHM		3
5	734 11 64-01	WASHER		3
6	535 42 86-01	BLADE HOUSING ASSY		1
7	535 42 89-01	BEARING HOUSING		1 6
8	535 42 87-01	SHAFT		1 6
9	535 42 88-01	SPACER		1 6
10	738 22 05-19	BALL BEARING		2 6
11	535 42 86-02	BLADE HOUSING ASSY		2
12	535 42 89-01	BEARING HOUSING		1 11
13	535 42 87-02	SHAFT		1 11
14	535 42 88-01	SPACER		1 11
15	738 22 05-19	BALL BEARING		2 11
16	535 42 38-01	SCREW RSQM		12
17	734 11 64-01	WASHER		12
18	732 21 18-01	LOCK NUT		12
19	535 42 90-01	PULLEY		4
20	506 53 35-01	PARALLEL KEY		7
21	535 42 88-01	SPACER		1
22	535 42 92-01	WASHER		3
23	725 25 42-51	SCREW EHHM		3
24	535 50 42-01	ADAPTER		3
25	535 42 94-10	BLADE		3
26	506 79 23-02	KNIFE PLATE		3
27	725 25 42-51	SCREW EHHM		3
28	506 54 07-01	BELT TENSIONER ASSY		1
29	506 51 95-01	SPÄNNARM KPL.		1 28
30	506 53 27-01	PULLEY		1 28
31	734 11 64-41	WASHER		1 28
32	506 55 83-02	SCREW EHHFT		1 28
33	506 91 87-02	WASHER		1
34	725 24 51-71	SCREW EHHM		1
35	732 21 18-01	LOCK NUT		1
36	506 53 31-01	SPRING		1
37	589 53 30-01	BELT		1
38	535 42 96-01	BELT COVER		1
39	506 98 26-01	SCREW		2
40	506 55 97-01	WASHER		2
41	505 44 16-01	WHEEL		2
42	505 45 03-01	TUBE		2
43	725 25 02-71	SCREW EHHM		2
44	732 21 20-01	LOCK NUT		2
45	544 18 54-01	ROLLER		1
46	544 22 10-01	SCREW EHHM		1
47	732 21 22-01	NUT		1
80	506 78 97-01	LABEL		1
81	544 23 81-13	LABEL		1
82	506 92 90-01	LABEL		1
83	734 11 74-41	WASHER		2