

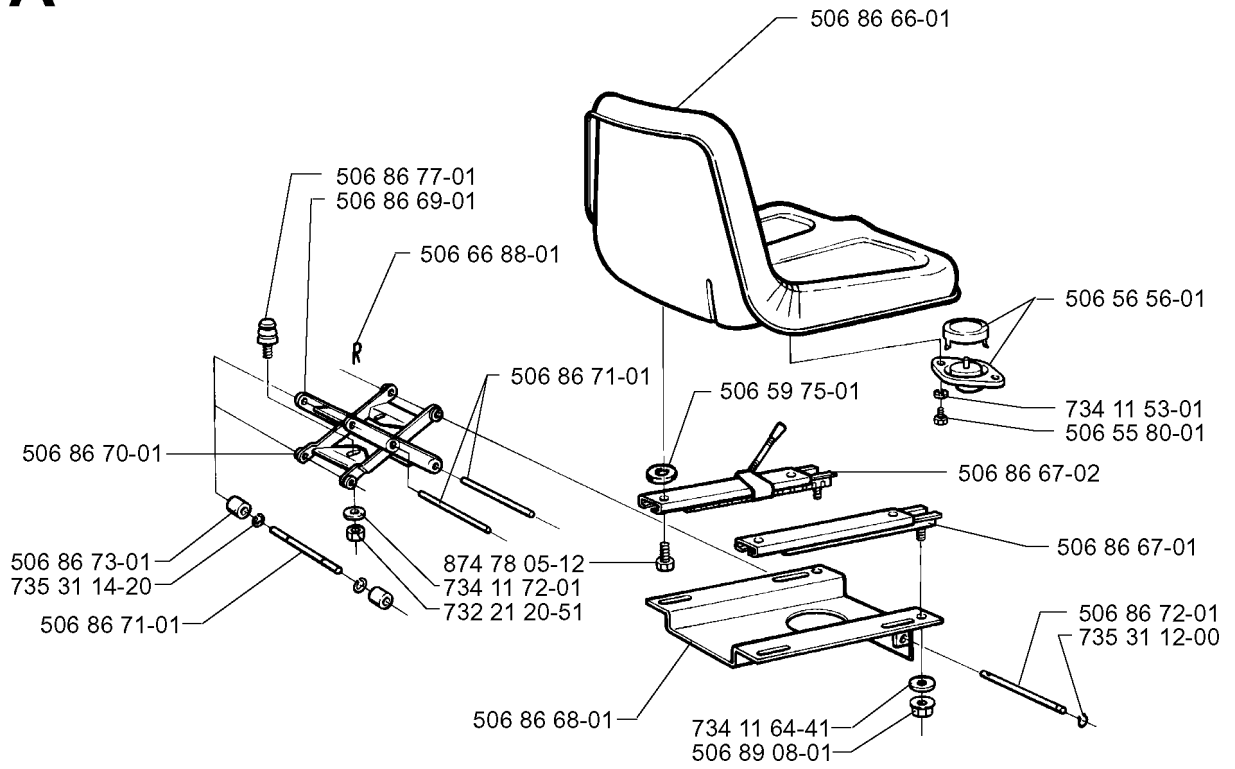


SPARE PARTS LIST

RIDERS

RIDER 1030 BIOCLIP, 1997-05

A



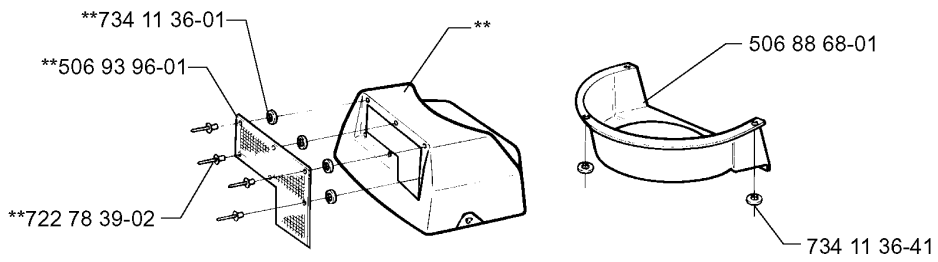
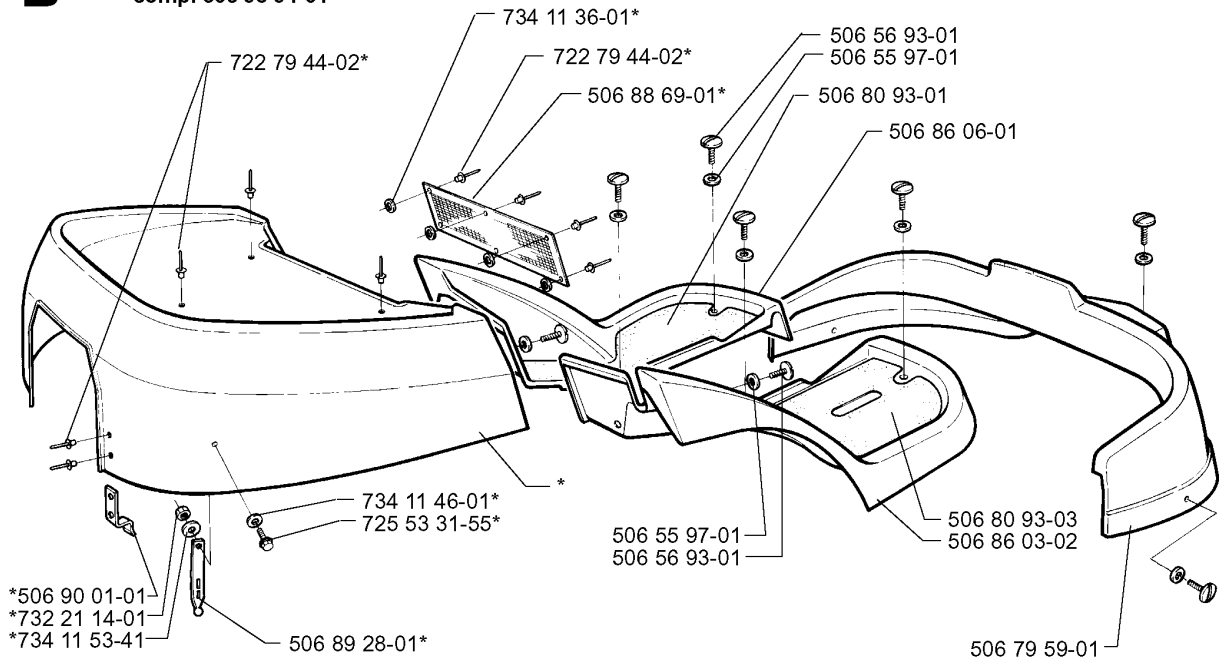
SEAT

RIDER 1030 BIOCLIP, 1997-05

Part No	Description	Remark	QTY KIT
506 55 80-01	SCREW		1
506 56 56-01	SÄTESBRYTARE KPL		1
506 59 75-01	WASHER		1
506 66 88-01	SPRING COTTER		1
506 86 66-01	SEAT		1
506 86 67-01	GLIDES		1
506 86 67-02	GLIDES MED STOPP		1
506 86 68-01	SEAT BRACKET ASSY		1
506 86 69-01	YTTERSAX		1
506 86 70-01	INNERSAX		1
506 86 71-01	SHAFT		1
506 86 71-01	SHAFT		1
506 86 72-01	SHAFT		1
506 86 73-01	ROLLER		1
506 86 77-01	SÄTESFJÄDRING		1
506 89 08-01	NUT		1
732 21 20-51	NUT		1
734 11 53-01	WASHER		1
734 11 64-41	WASHER		1
734 11 72-01	WASHER		1
735 31 12-00	CIRCLIP		1
735 31 14-20	E-CLIP		1
874 78 05-12	SCREW		1

B

*compl 506 88 67-01
** compl 506 93 94-01

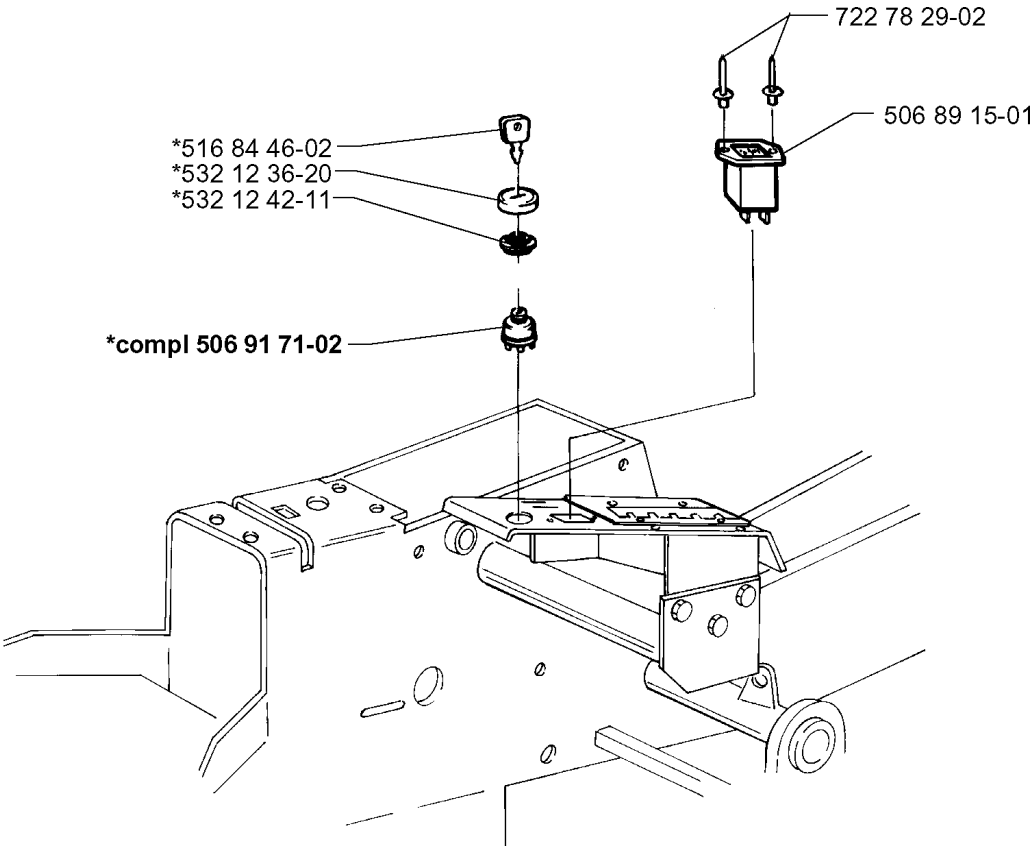


HOOD

RIDER 1030 BIOCLIP, 1997-05

Part No	Description	Remark	QTY KIT
506 55 97-01	WASHER		1
506 55 97-01	WASHER		1
506 56 93-01	SCREW		1
506 56 93-01	SCREW		1
506 79 59-01	MELLANDEL KPL		1
506 80 93-01	PEDISTAL MAT		1
506 80 93-03	PEDISTAL MAT		1
506 86 03-02	FLYGEL HÖGER		1
506 86 06-01	FLYGEL VÄNSTER		1
506 88 67-01	ENGINE HOOD ASSY		1
506 88 68-01	AIR CONDUCTOR		1
506 88 69-01	GRID		1
506 89 28-01	GUMMISTROPP		1
506 90 01-01	BRACKET		1
506 93 94-01	COVER		1
506 93 96-01	SCREEN		1
722 78 39-02	BLIND RIVET		1
722 79 44-02	RIVET		1
722 79 44-02	RIVET		1
725 53 31-55	SCREW IHSCM		1
732 21 14-01	LOCK NUT		1
734 11 36-01	WASHER		1
734 11 36-01	WASHER		1
734 11 36-41	WASHER		1
734 11 46-01	WASHER		1
734 11 53-41	WASHER		1

C

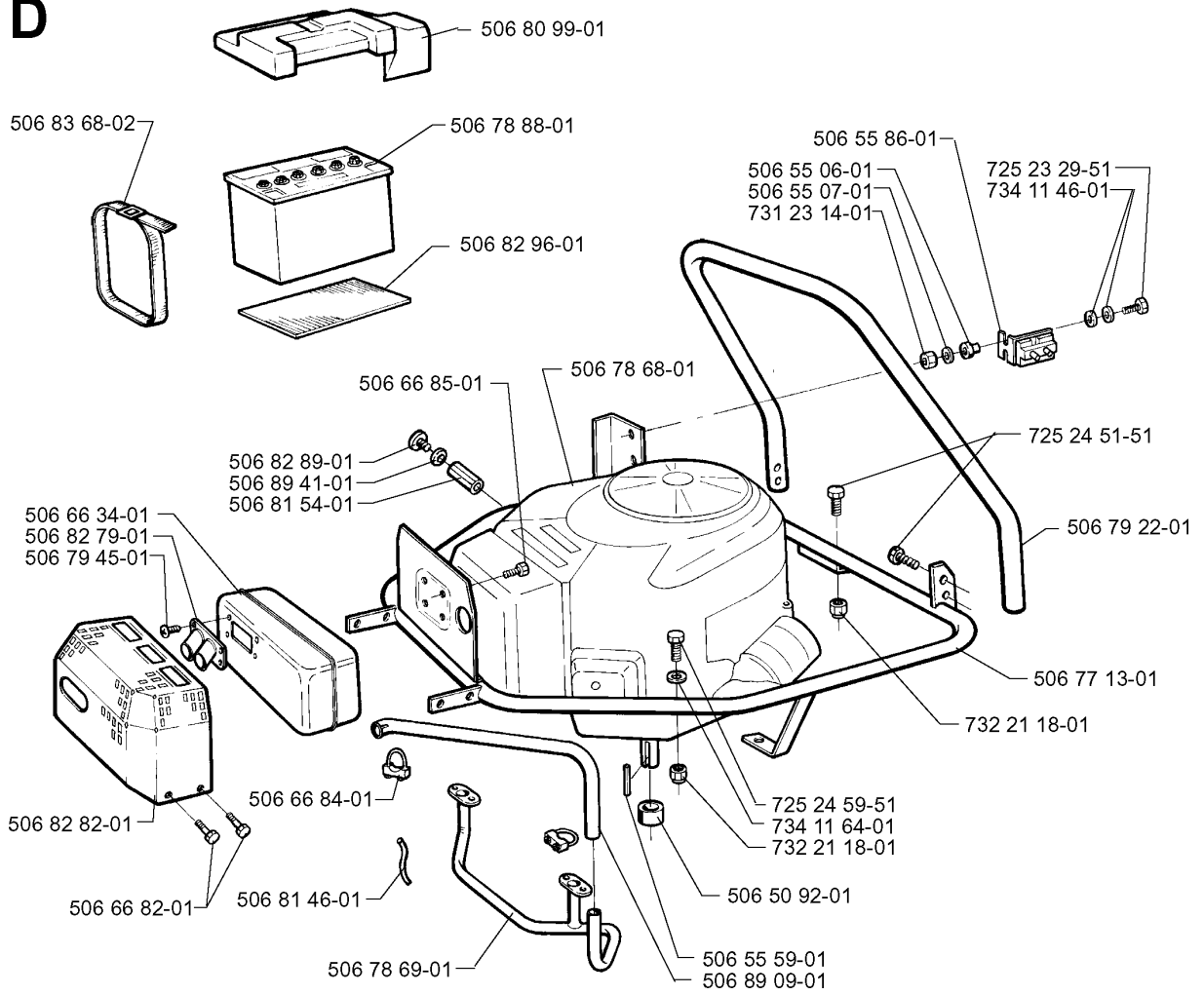


ELECTRICAL

RIDER 1030 BIOCLIP, 1997-05

Part No	Description	Remark	QTY KIT
506 89 15-01	HOUR METER		1
506 91 71-02	IGNITION LOCK		1
516 84 46-02	KEY		1
532 12 36-20	PROTECTOR		1
532 12 42-11	NUT		1
722 78 29-02	BLIND RIVET		1

D

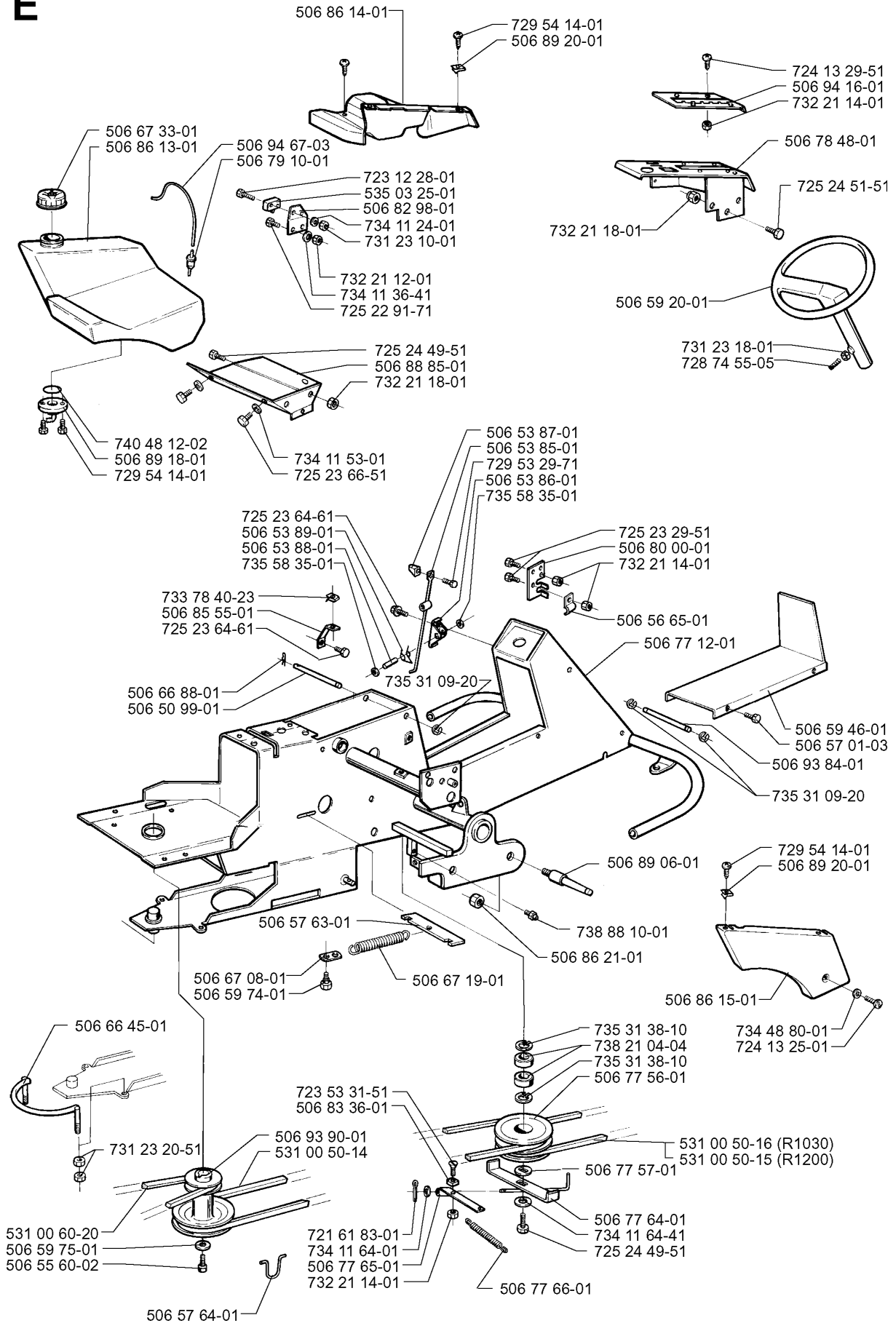


ENGINE

RIDER 1030 BIOCLIP, 1997-05

Part No	Description	Remark	QTY KIT
506 50 92-01	SPACING SLEEVE		1
506 55 06-01	PLUG		1
506 55 07-01	INSULATING WASHER		1
506 55 59-01	WEDGE		1
506 55 86-01	RELAY		1
506 66 34-01	MUFFLER		1
506 66 82-01	SCREW		1
506 66 84-01	CLAMP ASSY		1
506 66 85-01	U6S 1/4 UNCX16 8.8FZ		1
506 77 13-01	RÖRBÅGAR KPL.		1
506 78 68-01	MOTOR ASSY		1
506 78 69-01	GRENÖR KPL.		1
506 78 88-01	BATTERY		1
506 79 22-01	TARGABÅGE KPL.		1
506 79 45-01	SCREW		1
506 80 99-01	BATTERY COVER		1
506 81 46-01	VENTILATING HOSE		1
506 81 54-01	OLJEAVTAPPNINGSRÖR		1
506 82 79-01	DEFLECTOR		1
506 82 82-01	BURN GUARD ASSY		1
506 82 89-01	PLUG		1
506 82 96-01	BATTERY MAT		1
506 83 68-02	BELT		1
506 89 09-01	EXHAUST PIPE		1
506 89 41-01	WASHER		1
725 23 29-51	SCREW		1
725 24 51-51	SCREW		1
725 24 59-51	SCREW EHHM		1
731 23 14-01	HEXAGON NUT		1
732 21 18-01	LOCK NUT		1
732 21 18-01	LOCK NUT		1
734 11 46-01	WASHER		1
734 11 64-01	WASHER		1

E



CHASSIS / FRAME

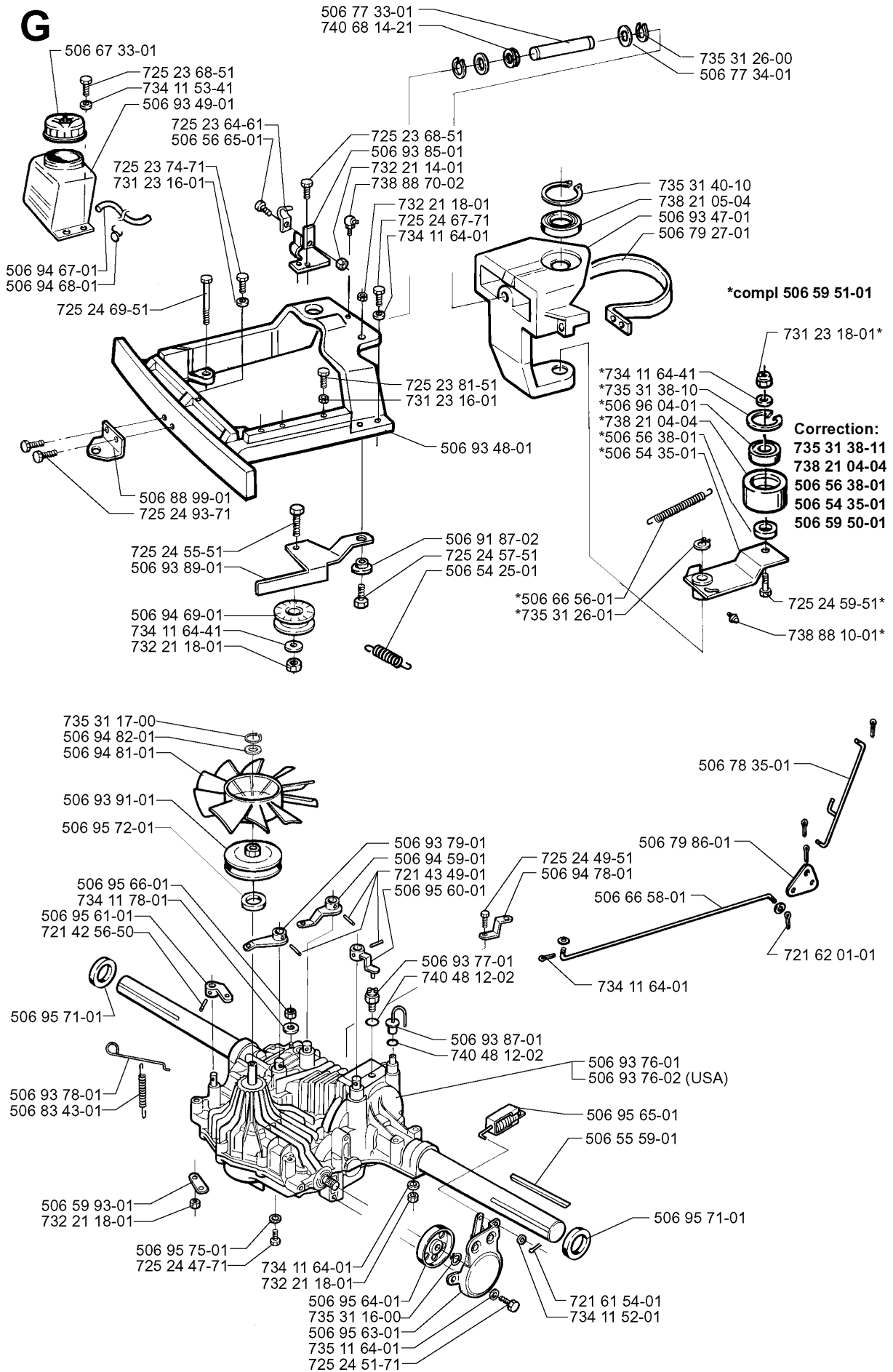
RIDER 1030 BIOCLIP, 1997-05

Part No	Description	Remark	QTY KIT
506 50 99-01	SHAFT		1
506 53 85-01	LOCKING ARM		1
506 53 86-01	BRACKET		1
506 53 87-01	CONTROL BUTTON		1
506 53 88-01	SHAFT		1
506 53 89-01	SPRING		1
506 55 60-02	SCREW UNC		1
506 56 65-01	CLIP		1
506 57 01-03	SCREW EHHFM		1
506 57 63-01	SPRING RETAINER		1
506 57 64-01	CABLE HOLDER		1
506 59 20-01	STEERING WHEEL		1
506 59 46-01	LOCK GOLVTUNNEL		1
506 59 74-01	SCREW EHHFM		1
506 59 75-01	WASHER		1
506 66 45-01	BELT GUIDE		1
506 66 88-01	SPRING COTTER		1
506 67 08-01	LINK		1
506 67 19-01	SPRING		1
506 67 33-01	TANK CAP ASSY		1
506 77 12-01	FRAME		1
506 77 56-01	MELLANHJUL		1
506 77 57-01	WASHER		1
506 77 64-01	CONSOLE		1
506 77 65-01	ARM		1
506 77 66-01	SPRING		1
506 78 48-01	CONTROL PLATE		1
506 79 10-01	FUEL FILTER		1
506 80 00-01	BRACKET		1
506 82 98-01	BRACKET		1
506 83 36-01	BRAKE LINING		1
506 85 55-01	BRACKET		1
506 86 13-01	FUEL TANK		1
506 86 14-01	COVER		1
506 86 15-01	COVER		1
506 86 21-01	NUT		1
506 88 85-01	BRACKET		1
506 89 06-01	WHEEL AXLE		1
506 89 18-01	CONNECTION		1
506 89 20-01	SPEED NUT		1
506 89 20-01	SPEED NUT		1
506 93 84-01	SHAFT		1
506 93 90-01	PULLEY		1
506 94 16-01	KULISSPLÅT		1
506 94 67-03	FUEL HOSE		1
531 00 50-14	BELT		1
531 00 50-15	BELT	R1200	1
531 00 50-16	BELT	R1030	1
531 00 60-20	BELT		1
535 03 25-01	SWITCH		1
721 61 83-01	SPLIT PIN		1
723 12 28-01	SCREW SLCHM		1
723 53 31-51	SCREW SLCSFM		1
724 13 25-01	SCREW CRPANM		1
724 13 29-51	SCREW CRPANM		1
725 22 91-71	SCREW EHHM		1
725 23 29-51	SCREW		1
725 23 64-61	SCREW EHHFT		1
725 23 64-61	SCREW EHHFT		1
725 23 66-51	HEXAGONAL SCREW M6X12		1
725 24 49-51	SCREW		1
725 24 49-51	SCREW		1
725 24 51-51	SCREW		1
728 74 55-05	SCREW IHSETM		1

CHASSIS / FRAME

RIDER 1030 BIOCLIP, 1997-05

Part No	Description	Remark	QTY KIT
729 53 29-71	SCREW CRPANT		1
729 54 14-01	SCREW CRPANT		1
729 54 14-01	SCREW CRPANT		1
729 54 14-01	SCREW CRPANT		1
731 23 10-01	HEXAGON NUT		1
731 23 18-01	HEXAGON NUT		1
731 23 20-51	HEXAGON NUT		1
732 21 12-01	LOCK NUT		1
732 21 14-01	LOCK NUT		1
732 21 14-01	LOCK NUT		1
732 21 14-01	LOCK NUT		1
732 21 18-01	LOCK NUT		1
732 21 18-01	LOCK NUT		1
733 78 40-23	QUICK-ACTING LOCK NUT		1
734 11 24-01	WASHER		1
734 11 36-41	WASHER		1
734 11 53-01	WASHER		1
734 11 64-01	WASHER		1
734 11 64-41	WASHER		1
734 48 80-01	WASHER		1
735 31 09-20	E-CLIP		1
735 31 09-20	E-CLIP		1
735 31 38-10	CIRCLIP		1
735 31 38-10	CIRCLIP		1
735 58 35-01	WASHER		1
735 58 35-01	WASHER		1
738 21 04-04	BALL BEARING		1
738 88 10-01	LUBRICATION NIPPLE		1
740 48 12-02	O-RING		1



TRANSMISSION

RIDER 1030 BIOCLIP, 1997-05

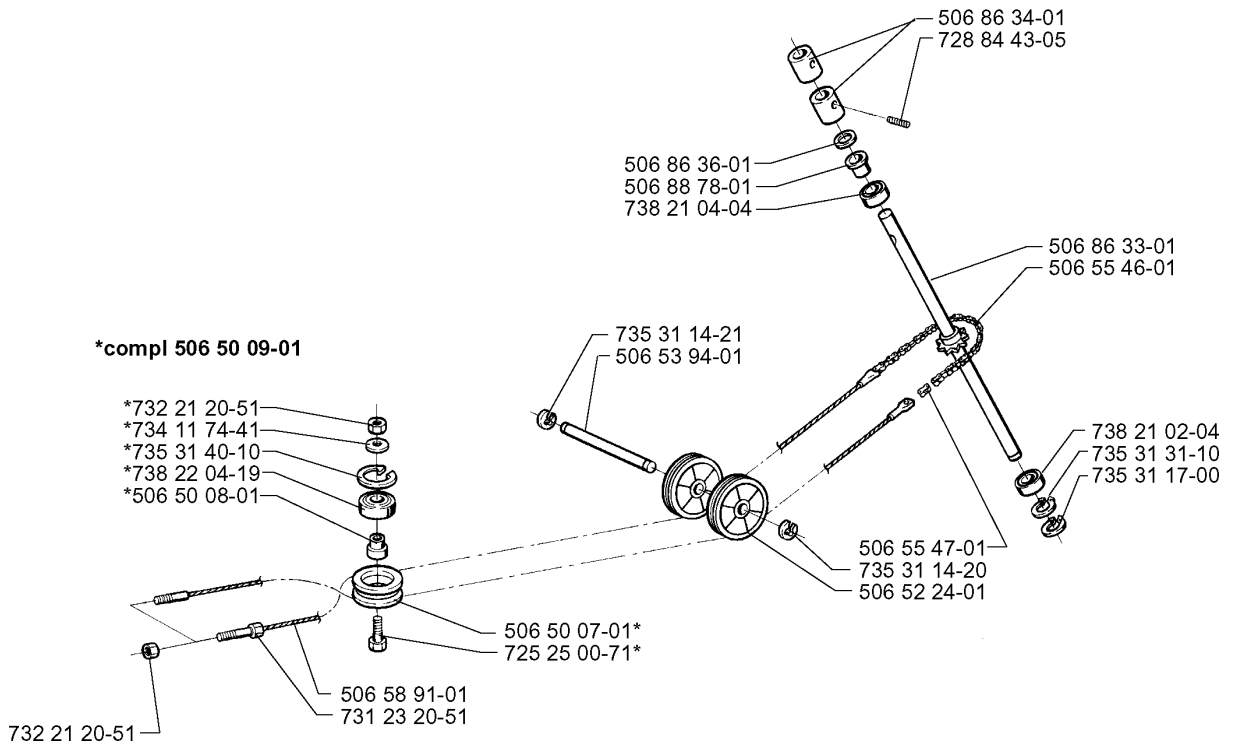
Part No	Description	Remark	QTY KIT
506 54 25-01	SPRING		1
506 54 35-01	BUSHING		1
506 54 35-01	BUSHING		1
506 55 59-01	WEDGE		1
506 56 38-01	TENSION ROLLER		1
506 56 38-01	TENSION ROLLER		1
506 56 65-01	CLIP		1
506 59 50-01	LEVER		1
506 59 51-01	REMSP. KNIVDRIVNING		1
506 59 93-01	LINK		1
506 66 56-01	SPRING		1
506 66 58-01	CLUTCH ROD REAR		1
506 67 33-01	TANK CAP ASSY		1
506 77 33-01	SWING AXLE		1
506 77 34-01	WASHER		1
506 78 35-01	CONNECTION ROD		1
506 79 27-01	STYRKANS		1
506 79 86-01	LÄNK KOPPLING KPL.		1
506 83 43-01	SPRING		1
506 88 99-01	HITCH		1
506 91 87-02	WASHER		1
506 93 47-01	SPINDLE		1
506 93 48-01	HYDROSTATKONSOL K61		1
506 93 49-01	HYDROSTATTANK		1
506 93 76-01	TRANSMISSION		1
506 93 76-02	TRANSMISSION	USA	1
506 93 77-01	BROMSBRYTARE		1
506 93 78-01	FRIKOPPLINGSSTÅNG		1
506 93 79-01	CONTROL LEVER		1
506 93 85-01	BRACKET		1
506 93 87-01	HOSE COUPLING		1
506 93 89-01	LEVER		1
506 93 91-01	PULLEY		1
506 94 59-01	BRAKE BAND ASSY		1
506 94 67-01	FUEL HOSE		1
506 94 68-01	TRÅDKLÄMMA		1
506 94 69-01	PULLEY		1
506 94 78-01	RETAINER		1
506 94 81-01	FAN		1
506 94 82-01	WASHER		1
506 95 60-01	LEVER		1
506 95 61-01	LEVER		1
506 95 63-01	BRAKE ASSY		1
506 95 64-01	BRAKE DRUM		1
506 95 65-01	SPRING		1
506 95 66-01	NUT		1
506 95 71-01	SEALING		1
506 95 71-01	SEALING		1
506 95 72-01	SEALING		1
506 95 75-01	WASHER		1
721 42 56-50	SPRING PIN		1
721 43 49-01	SPRING PIN		1
721 61 54-01	SPLIT PIN		1
721 62 01-01	SPLIT PIN		1
725 23 64-61	SCREW EHHFT		1
725 23 68-51	SCREW		1
725 23 68-51	SCREW		1
725 23 74-71	SCREW EHHM		1
725 23 81-51	SCREW EHHM		1
725 24 47-71	SCREW EHHM		1
725 24 49-51	SCREW		1
725 24 51-71	SCREW EHHM		1
725 24 55-51	SCREW		1
725 24 57-51	SCREW		1

TRANSMISSION

RIDER 1030 BIOCLIP, 1997-05

Part No	Description	Remark	QTY KIT
725 24 59-51	SCREW EHHM		1
725 24 67-71	SCREW EHHM		1
725 24 69-51	SCREW EHHM		1
725 24 93-71	SCREW EHHM		1
731 23 16-01	HEXAGON NUT		1
731 23 16-01	HEXAGON NUT		1
731 23 18-01	HEXAGON NUT		1
732 21 14-01	LOCK NUT		1
732 21 18-01	LOCK NUT		1
732 21 18-01	LOCK NUT		1
732 21 18-01	LOCK NUT		1
732 21 18-01	LOCK NUT		1
734 11 52-01	WASHER		1
734 11 53-41	WASHER		1
734 11 64-01	WASHER		1
734 11 64-01	WASHER		1
734 11 64-01	WASHER		1
734 11 64-41	WASHER		1
734 11 64-41	WASHER		1
734 11 78-01	WASHER		1
735 11 64-01	SPRING WASHER		1
735 31 16-00	CIRCLIP		1
735 31 17-00	CIRCLIP		1
735 31 26-00	CIRCLIP		1
735 31 26-01	CIRCLIP		1
735 31 38-11	CIRCLIP	CORRECTION:	1
735 31 40-10	CIRCLIP		1
738 21 04-04	BALL BEARING		1
738 21 04-04	BALL BEARING		1
738 21 05-04	BALL BEARING		1
738 88 10-01	LUBRICATION NIPPLE		1
738 88 70-02	LUBRICATION NIPPLE		1
740 48 12-02	O-RING		1
740 48 12-02	O-RING		1
740 68 14-21	V-RING		1

F

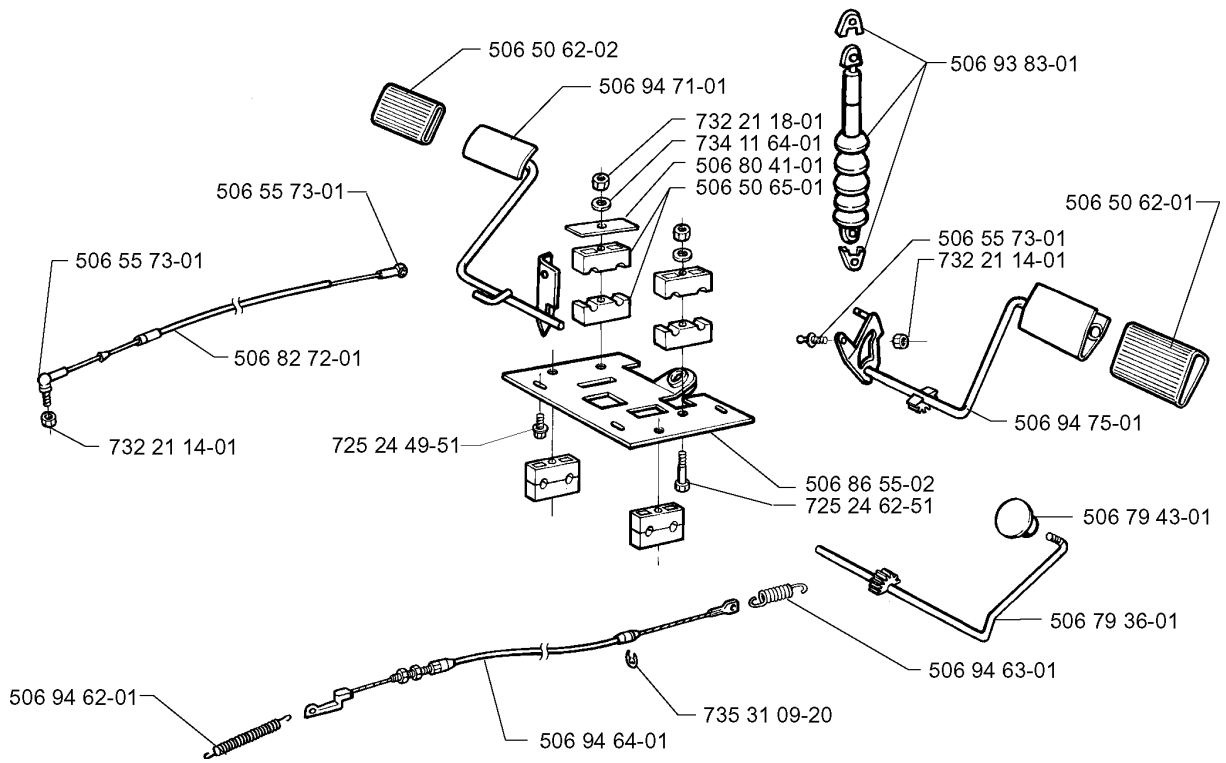


STEERING

RIDER 1030 BIOCLIP, 1997-05

Part No	Description	Remark	QTY KIT
506 50 07-01	BARRING WHEEL		1
506 50 08-01	BUSHING		1
506 50 09-01	BARRING WHEEL		1
506 52 24-01	STARTER PULLEY		1
506 53 94-01	SHAFT		1
506 55 46-01	CHAIN		1
506 55 47-01	LINKAGE		1
506 58 91-01	WIRE ASSY		1
506 86 33-01	ROD STEERING ASSY		1
506 86 34-01	DRIVER		1
506 86 36-01	WASHER		1
506 88 78-01	SPACER		1
725 25 00-71	SCREW EHHM		1
728 84 43-05	SCREW IHSETM		1
731 23 20-51	HEXAGON NUT		1
732 21 20-51	NUT		1
732 21 20-51	NUT		1
734 11 74-41	WASHER		1
735 31 14-20	E-CLIP		1
735 31 14-21	E-CLIP		1
735 31 17-00	CIRCLIP		1
735 31 31-10	CIRCLIP		1
735 31 40-10	CIRCLIP		1
738 21 02-04	BALL BEARING		1
738 21 04-04	BALL BEARING		1
738 22 04-19	BALL BEARING		1

H



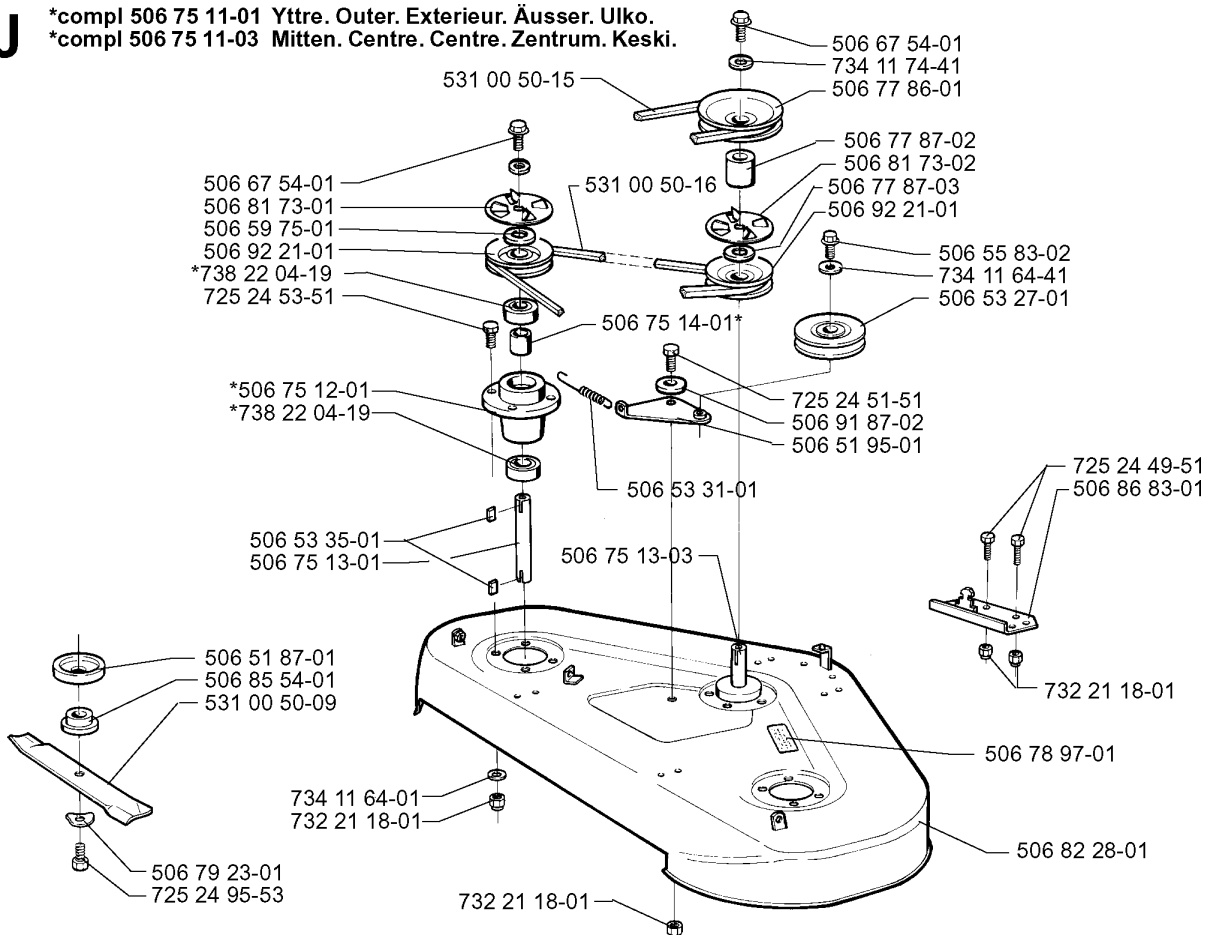
PEDALS

RIDER 1030 BIOCLIP, 1997-05

Part No	Description	Remark	QTY KIT
506 50 62-01	PEDAL RUBBER		1
506 50 62-02	PEDAL RUBBER		1
506 50 65-01	BEARING SUPPORT		1
506 55 73-01	VINKELL.AS8 DIN71802		1
506 55 73-01	VINKELL.AS8 DIN71802		1
506 55 73-01	VINKELL.AS8 DIN71802		1
506 79 36-01	REVERSE PEDAL		1
506 79 43-01	KNOB		1
506 80 41-01	PLATE		1
506 82 72-01	CONTROL CABLE		1
506 86 55-02	PEDAL PLATE ASSY		1
506 93 83-01	DAMPING PIECE		1
506 94 62-01	BRAKE SPRING		1
506 94 63-01	BRAKE SPRING		1
506 94 64-01	BROMSWIRE KPL.		1
506 94 71-01	BRAKE PEDAL ASSY		1
506 94 75-01	HYDROSTATIC PEDAL ASSY		1
725 24 49-51	SCREW		1
725 24 62-51	SCREW EHHM		1
732 21 14-01	LOCK NUT		1
732 21 14-01	LOCK NUT		1
732 21 18-01	LOCK NUT		1
734 11 64-01	WASHER		1
735 31 09-20	E-CLIP		1

J

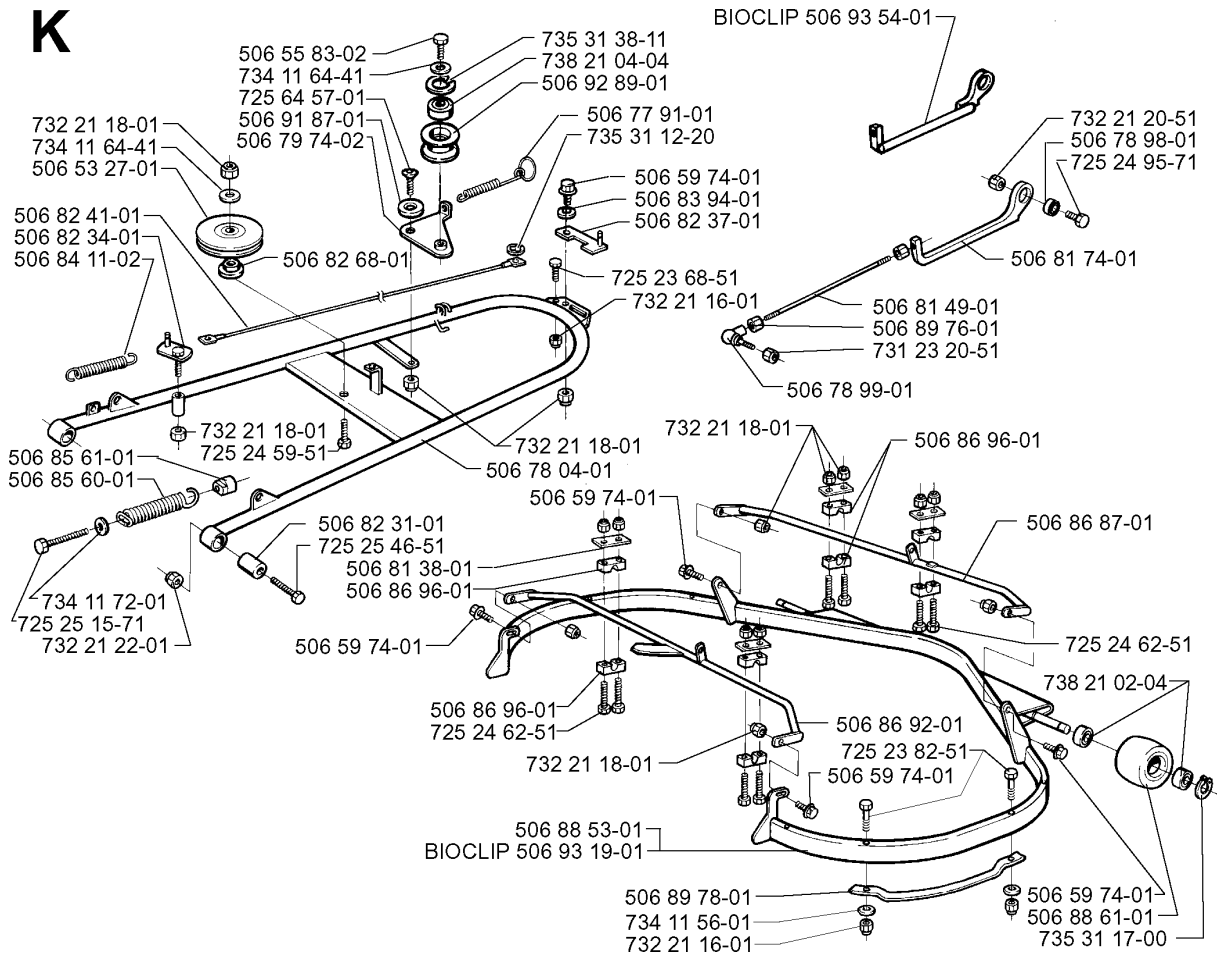
*compl 506 75 11-01 Yttre. Outer. Exterieur. Äusser. Ulko.
*compl 506 75 11-03 Mitten. Centre. Centre. Zentrum. Keski.



48"/122CM CUTTING DECK

RIDER 1030 BIOCLIP, 1997-05

Part No	Description	Remark	QTY KIT
506 51 87-01	DUST COVER		1
506 51 95-01	SPÄNNARM KPL.		1
506 53 27-01	PULLEY		1
506 53 31-01	SPRING		1
506 53 35-01	PARALLEL KEY		1
506 55 83-02	SCREW EHHFT		1
506 59 75-01	WASHER		1
506 67 54-01	SCREW EHHFM		1
506 67 54-01	SCREW EHHFM		1
506 75 11-01	BLADE HOUSING ASSY	YTTRE.	1
506 75 11-03	BLADE HOUSING ASSY	MITTEN.	1
506 75 12-01	BEARING HOUSING		1
506 75 13-01	SHAFT		1
506 75 13-03	SHAFT		1
506 75 14-01	SPACER		1
506 77 86-01	PULLEY		1
506 77 87-02	SPACER		1
506 77 87-03	SPACER		1
506 78 97-01	LABEL		1
506 79 23-01	KNIFE PLATE		1
506 81 73-01	FAN		1
506 81 73-02	FAN		1
506 82 28-01	DECK SHELL ASSY		1
506 85 54-01	BLADE BRACKET		1
506 86 83-01	BRACKET		1
506 91 87-02	WASHER		1
506 92 21-01	PULLEY		1
506 92 21-01	PULLEY		1
531 00 50-09	BLADE		1
531 00 50-15	BELT		1
531 00 50-16	BELT		1
725 24 49-51	SCREW		1
725 24 51-51	SCREW		1
725 24 53-51	SCREW EHHM		1
725 24 95-53	SCREW EHHM		1
732 21 18-01	LOCK NUT		1
732 21 18-01	LOCK NUT		1
732 21 18-01	LOCK NUT		1
734 11 64-01	WASHER		1
734 11 64-41	WASHER		1
734 11 74-41	WASHER		1
738 22 04-19	BALL BEARING		1
738 22 04-19	BALL BEARING		1



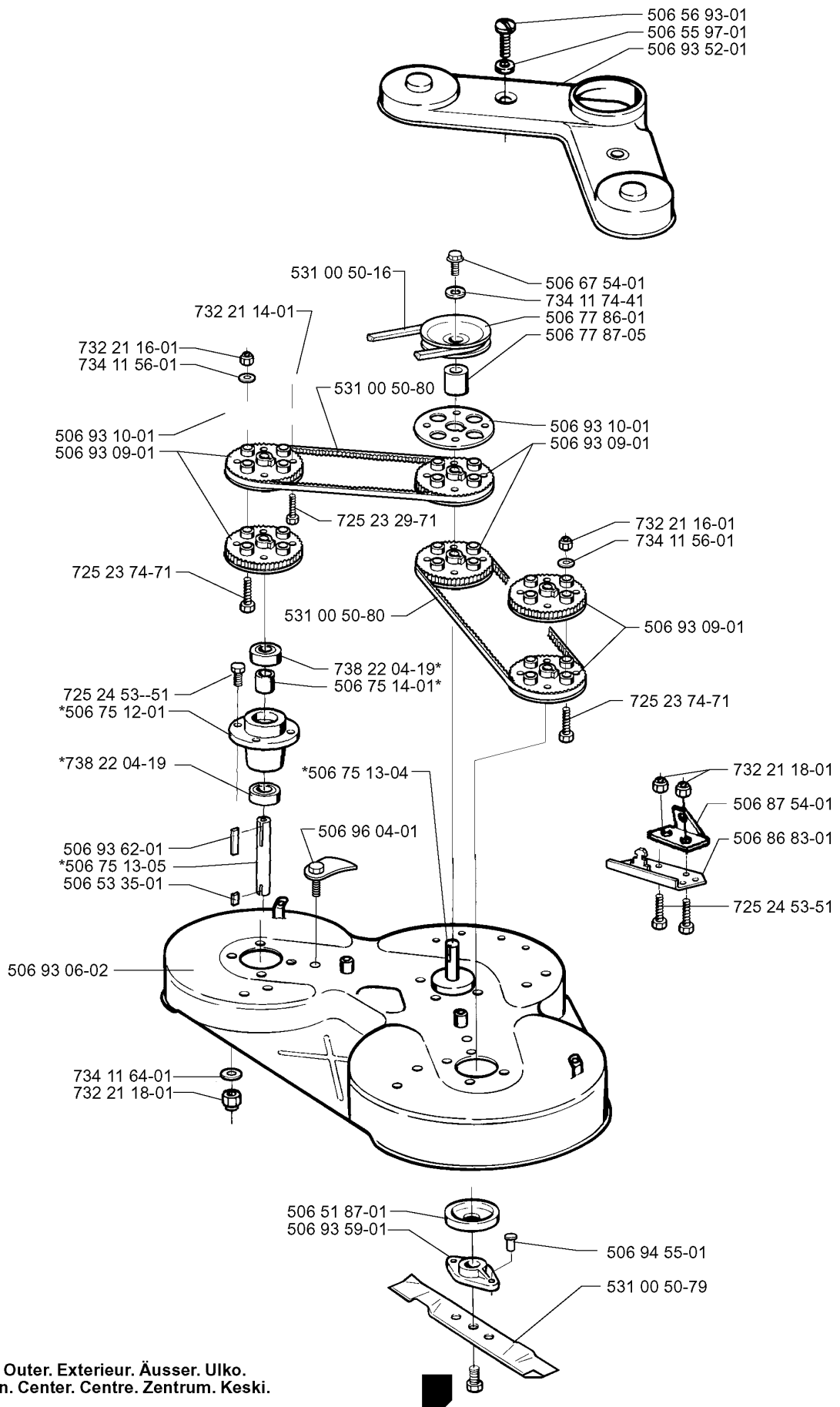
FRAME

RIDER 1030 BIOCLIP, 1997-05

Part No	Description	Remark	QTY KIT
506 53 27-01	PULLEY		1
506 55 83-02	SCREW EHHFT		1
506 59 74-01	SCREW EHHFM		1
506 59 74-01	SCREW EHHFM		1
506 59 74-01	SCREW EHHFM		1
506 59 74-01	SCREW EHHFM		1
506 59 74-01	SCREW EHHFM		1
506 77 91-01	SPRING		1
506 78 04-01	FRAME		1
506 78 98-01	LEDLAGER DIN648G10-D		1
506 78 99-01	VINKELLÄNK DIN 71802		1
506 79 74-02	SPÄNNARM KPL		1
506 81 38-01	REINFORCING PLATE		1
506 81 49-01	ROD		1
506 81 74-01	LÄNKSTÅNG		1
506 82 31-01	BUSHING		1
506 82 34-01	HITCH		1
506 82 37-01	CATCH		1
506 82 41-01	WIRE ASSY		1
506 82 68-01	BUSHING		1
506 83 94-01	SPRING WASHER		1
506 84 11-02	SPRING		1
506 85 60-01	SPRING		1
506 85 61-01	NUT		1
506 86 87-01	FRONT CROSS TUBE ASS		1
506 86 92-01	REAR CROSS TUBES ASS		1
506 86 96-01	BEARING		1
506 86 96-01	BEARING		1
506 86 96-01	BEARING		1
506 88 53-01	HAND GUARD ASSY		1
506 88 61-01	WHEEL		1
506 89 76-01	NUT		1
506 89 78-01	SKYDDSRÖR		1
506 91 87-01	WASHER		1
506 92 89-01	PULLEY		1
506 93 19-01	PROTECTIVE TUBING	BIOCLIP	1
506 93 54-01	LÄNKSTÅNG KPL.	BIOCLIP	1
725 23 68-51	SCREW		1
725 23 82-51	SCREW EHHM		1
725 24 59-51	SCREW EHHM		1
725 24 62-51	SCREW EHHM		1
725 24 62-51	SCREW EHHM		1
725 24 95-71	SCREW EHHM		1
725 25 15-71	SCREW EHHM		1
725 25 46-51	SCREW EHHM		1
725 64 57-01	SCREW IHCSFM		1
731 23 20-51	HEXAGON NUT		1
732 21 16-01	LOCK NUT		1
732 21 16-01	LOCK NUT		1
732 21 18-01	LOCK NUT		1
732 21 18-01	LOCK NUT		1
732 21 18-01	LOCK NUT		1
732 21 18-01	LOCK NUT		1
732 21 18-01	LOCK NUT		1
732 21 20-51	NUT		1
732 21 22-01	NUT		1
734 11 56-01	WASHER		1
734 11 64-41	WASHER		1
734 11 64-41	WASHER		1
734 11 72-01	WASHER		1
735 31 12-20	E-CLIP		1
735 31 17-00	CIRCLIP		1
735 31 38-11	CIRCLIP		1
738 21 02-04	BALL BEARING		1
738 21 04-04	BALL BEARING		1

S *compl 506 75 11-05 (a)
 *compl 506 75 11-04 (b)

R 1030-Bio Clip



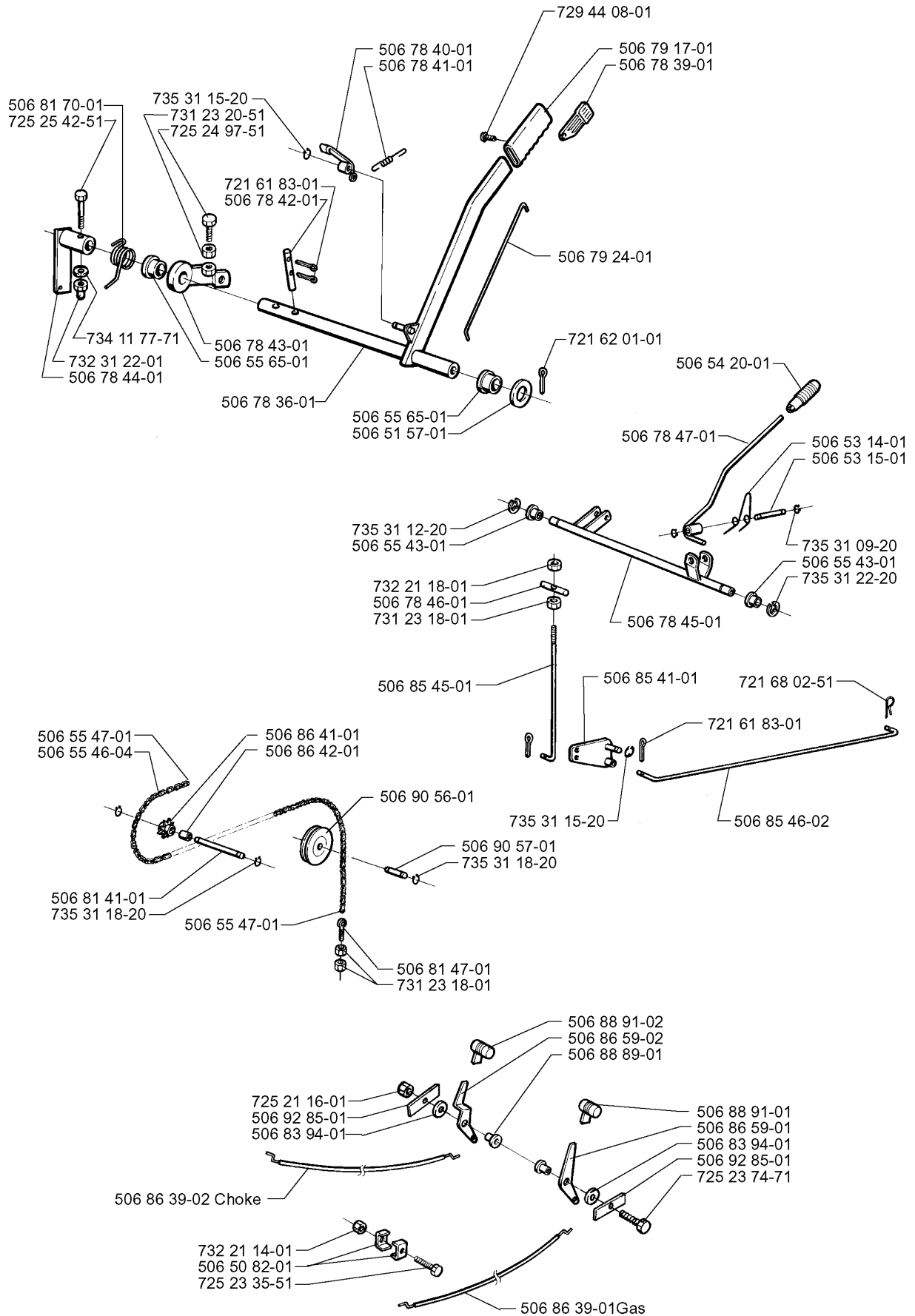
(a) = Yttre. Outer. Extérieur. Äusser. Ulko.
 (b) = Mitten. Center. Centre. Zentrum. Keski.

103CM CUTTING DECK

RIDER 1030 BIOCLIP, 1997-05

Part No	Description	Remark	QTY KIT
506 51 87-01	DUST COVER		1
506 53 35-01	PARALLEL KEY		1
506 55 97-01	WASHER		1
506 56 93-01	SCREW		1
506 67 54-01	SCREW EHHFM		1
506 75 11-04	BLADE HOUSING ASSY	MITTEN.	1
506 75 11-05	BLADE HOUSING ASSY	YTTRE.	1
506 75 12-01	BEARING HOUSING		1
506 75 13-04	SHAFT		1
506 75 13-05	SHAFT		1
506 75 14-01	SPACER		1
506 77 86-01	PULLEY		1
506 77 87-05	SPACER		1
506 86 83-01	BRACKET		1
506 87 54-01	BRACKET		1
506 93 06-02	DECK SHELL ASSY		1
506 93 09-01	KUGGREMSKIVA		1
506 93 09-01	KUGGREMSKIVA		1
506 93 09-01	KUGGREMSKIVA		1
506 93 10-01	FLANGE		1
506 93 10-01	FLANGE		1
506 93 52-01	KUGGREMKÅPA		1
506 93 59-01	BRACKET		1
506 93 62-01	WEDGE		1
506 94 55-01	PIN RETAINING SCREW		1
506 96 04-01	ECCENTRIC		1
531 00 50-16	BELT		1
531 00 50-79	BLADE		1
531 00 50-80	BELT		1
531 00 50-80	BELT		1
725 23 29-71	SCREW EHHM		1
725 23 74-71	SCREW EHHM		1
725 23 74-71	SCREW EHHM		1
725 24 53-51	SCREW EHHM		1
725 24 53-51	SCREW EHHM		1
732 21 14-01	LOCK NUT		1
732 21 16-01	LOCK NUT		1
732 21 16-01	LOCK NUT		1
732 21 18-01	LOCK NUT		1
732 21 18-01	LOCK NUT		1
734 11 56-01	WASHER		1
734 11 56-01	WASHER		1
734 11 64-01	WASHER		1
734 11 74-41	WASHER		1
738 22 04-19	BALL BEARING		1
738 22 04-19	BALL BEARING		1

N



CONTROLS

RIDER 1030 BIOCLIP, 1997-05

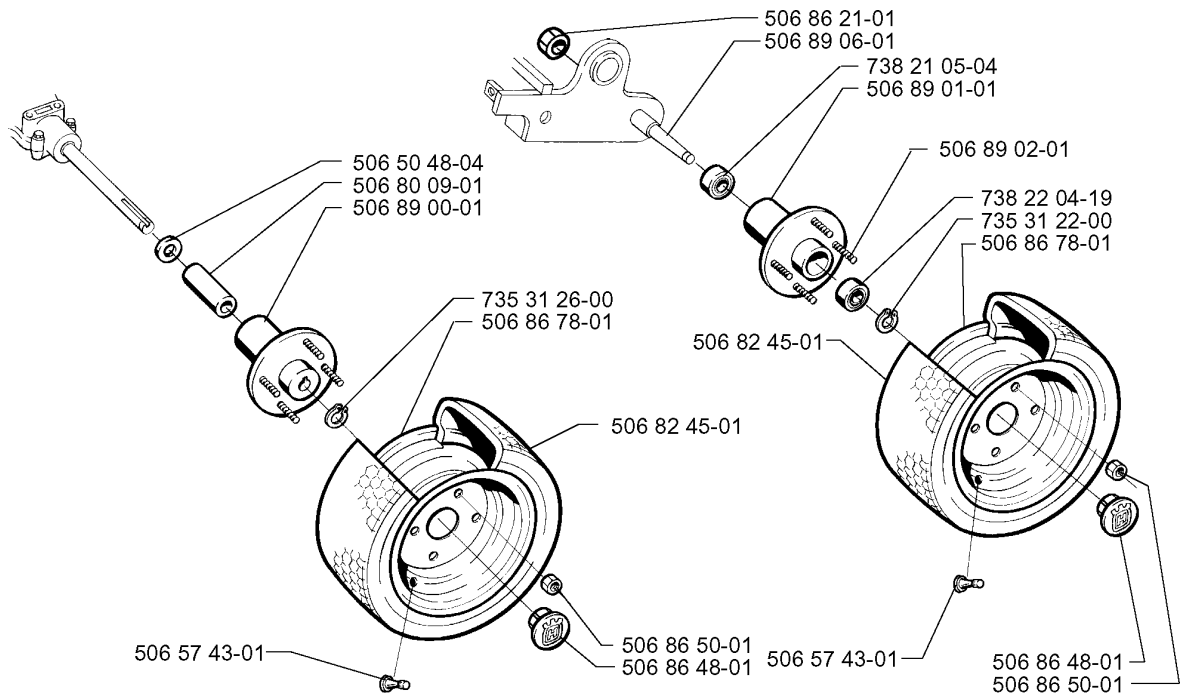
Part No	Description	Remark	QTY KIT
506 50 82-01	CLIP		1
506 51 57-01	WASHER		1
506 53 14-01	SPRING		1
506 53 15-01	SHAFT		1
506 54 20-01	HANDLE		1
506 55 43-01	BEARING		1
506 55 43-01	BEARING		1
506 55 46-04	CHAIN		1
506 55 47-01	LINKAGE		1
506 55 47-01	LINKAGE		1
506 55 65-01	BEARING		1
506 55 65-01	BEARING		1
506 78 36-01	LIFT LEVER CMPL		1
506 78 39-01	BUTTON		1
506 78 40-01	HITCH		1
506 78 41-01	SPRING		1
506 78 42-01	PEN		1
506 78 43-01	LINK ASSY		1
506 78 44-01	LIFTING ARM		1
506 78 45-01	REGLAGEARM KPL.		1
506 78 46-01	PEN		1
506 78 47-01	REGLERSPAK KPL.		1
506 79 17-01	HANDLE		1
506 79 24-01	THREAD		1
506 81 41-01	AXLE		1
506 81 47-01	SCREW		1
506 81 70-01	SPRING		1
506 83 94-01	SPRING WASHER		1
506 83 94-01	SPRING WASHER		1
506 85 41-01	LINK ASSY		1
506 85 45-01	HEIGHT ROD		1
506 85 46-02	HEIGHT ROD		1
506 86 39-01	THROTTLE CABLE ASSY	GAS	1
506 86 39-02	CHOKEWIRE KPL.	CHOKE	1
506 86 41-01	KEDJEHJUL KPL.		1
506 86 42-01	BRONSBUSSNING		1
506 86 59-01	CONTROL		1
506 86 59-02	CONTROL		1
506 88 89-01	BUSHING		1
506 88 91-01	KNOB		1
506 88 91-02	KNOB		1
506 90 56-01	OFFSET PULLEY		1
506 90 57-01	SHAFT		1
506 92 85-01	LOCKWASHER		1
506 92 85-01	LOCKWASHER		1
721 61 83-01	SPLIT PIN		1
721 61 83-01	SPLIT PIN		1
721 62 01-01	SPLIT PIN		1
721 68 02-51	SPRING COTTER		1
725 21 16-01			1
725 23 35-51	SCREW EHHM		1
725 23 74-71	SCREW EHHM		1
725 24 97-51	SCREW		1
725 25 42-51	SCREW EHHM		1
729 44 08-01	SCREW SLCSRT		1
731 23 18-01	HEXAGON NUT		1
731 23 18-01	HEXAGON NUT		1
731 23 20-51	HEXAGON NUT		1
732 21 14-01	LOCK NUT		1
732 21 18-01	LOCK NUT		1
732 31 22-01	CAP NUT		1
734 11 77-71	WASHER		1
735 31 09-20	E-CLIP		1
735 31 12-20	E-CLIP		1

CONTROLS

RIDER 1030 BIOCLIP, 1997-05

Part No	Description	Remark	QTY KIT
735 31 15-20	E-CLIP		1
735 31 15-20	E-CLIP		1
735 31 18-20	E-CLIP		1
735 31 18-20	E-CLIP		1
735 31 22-20	E-CLIP		1

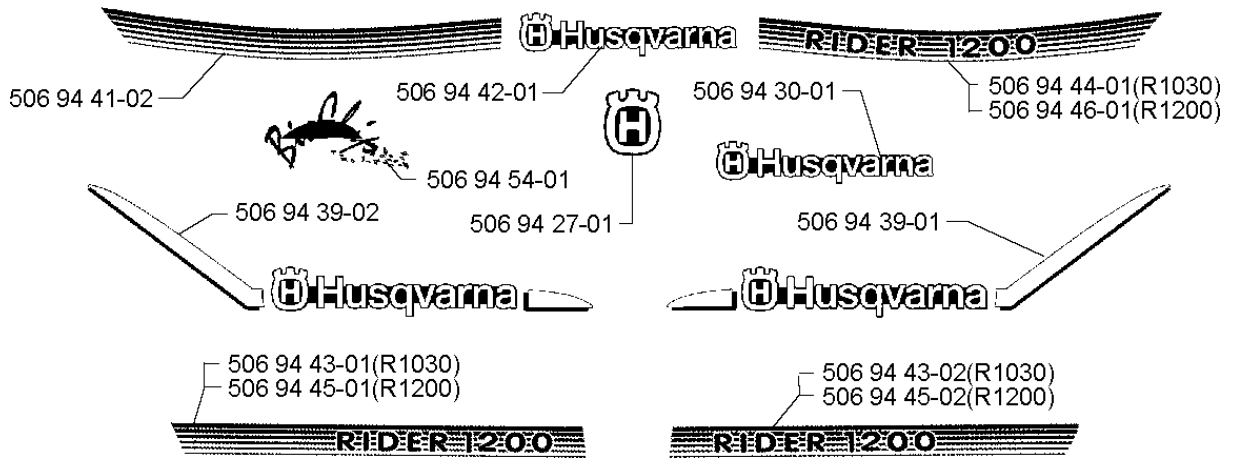
L



WHEELS & TIRES

RIDER 1030 BIOCLIP, 1997-05

Part No	Description	Remark	QTY KIT
506 50 48-04	WASHER		1
506 57 43-01	VALVE ASSY		1
506 57 43-01	VALVE ASSY		1
506 80 09-01	SLEEVE		1
506 82 45-01	TIRE		1
506 82 45-01	TIRE		1
506 86 21-01	NUT		1
506 86 48-01	PROTECTIVE COVER		1
506 86 48-01	PROTECTIVE COVER		1
506 86 50-01	WHEEL NUT		1
506 86 50-01	WHEEL NUT		1
506 86 78-01	RIM		1
506 86 78-01	RIM		1
506 89 00-01	HUB		1
506 89 01-01	HUB		1
506 89 02-01	BOLT		1
506 89 06-01	WHEEL AXLE		1
735 31 22-00	CIRCLIP		1
735 31 26-00	CIRCLIP		1
738 21 05-04	BALL BEARING		1
738 22 04-19	BALL BEARING		1

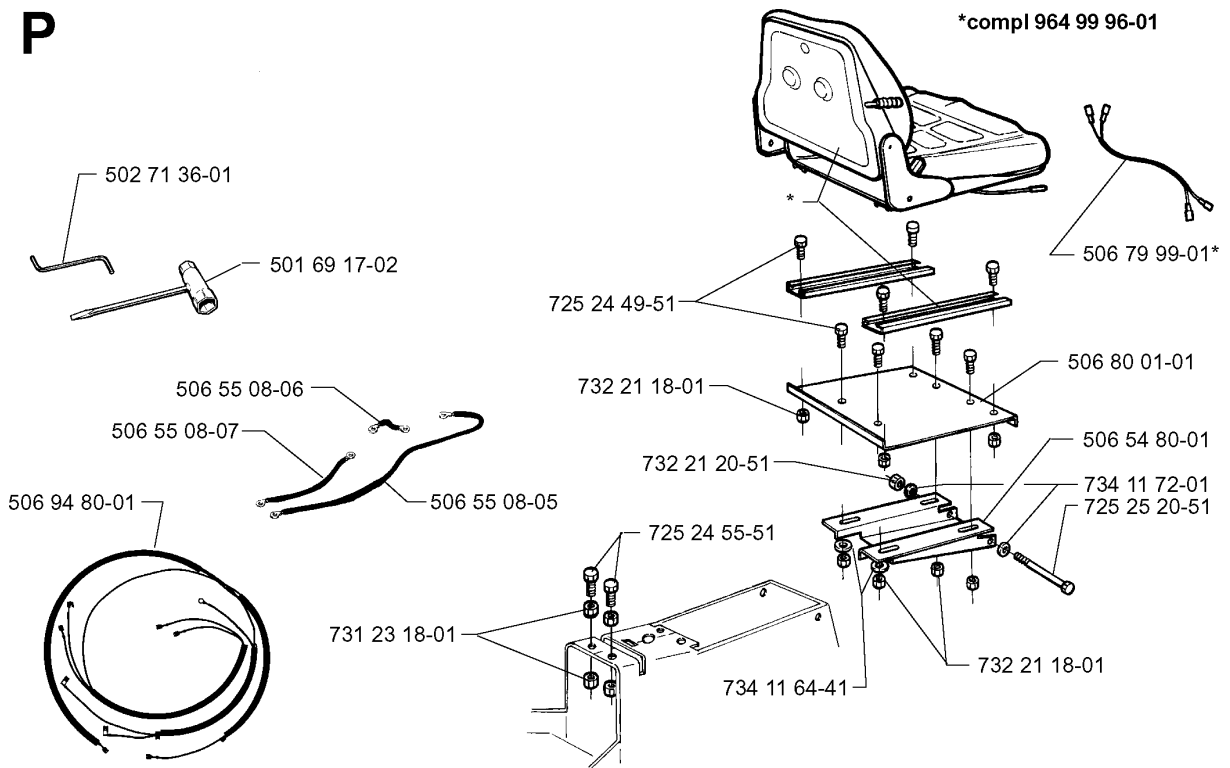


DECALS

RIDER 1030 BIOCLIP, 1997-05

Part No	Description	Remark	QTY KIT
506 94 27-01	DECAL		1
506 94 30-01	DECAL		1
506 94 39-01	VINGAR MOTORKÅPA V.		1
506 94 39-02	VINGAR MOTORKÅPA H.		1
506 94 41-02	STRIPES MELLANDEL H.		1
506 94 42-01	DECAL		1
506 94 43-01	STRIPES MOTORKÅPA V.	R1030	1
506 94 43-02	STRIPES MOTORKÅPA H.	R1030	1
506 94 44-01	STRIPES MELLANDEL V.	R1030	1
506 94 45-01	STRIPES MOTORKÅPA V.	R1200	1
506 94 45-02	STRIPES MOTORKÅPA H.	R1200	1
506 94 46-01	STRIPES MELLANDEL V.	R1200	1
506 94 54-01	DECAL		1

P



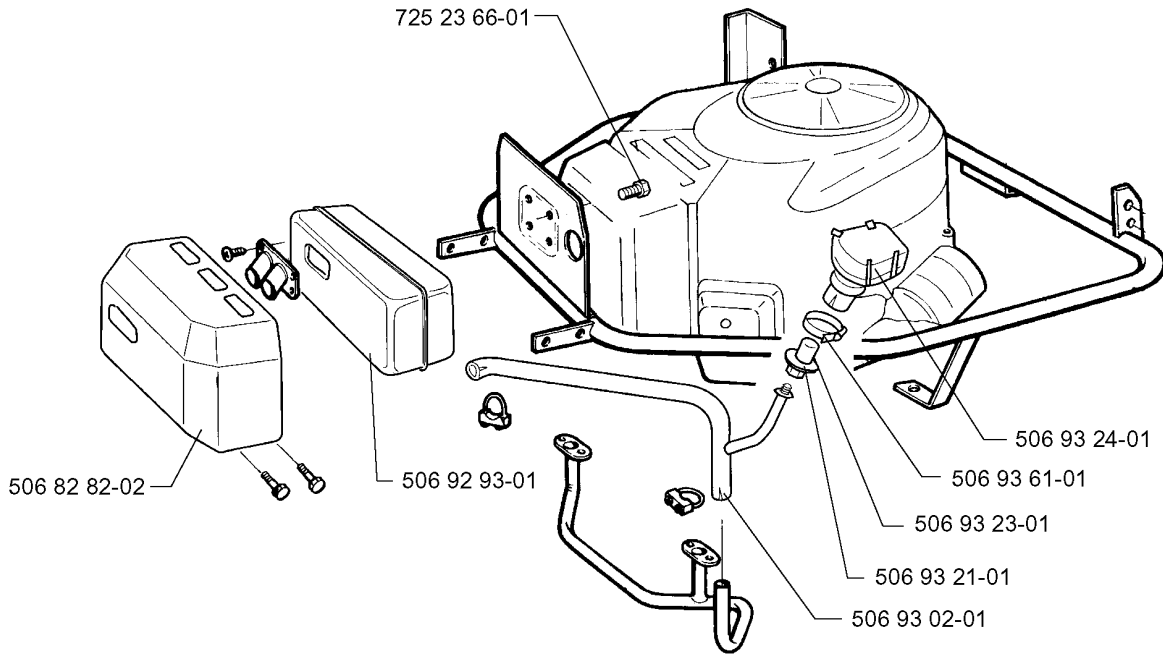
SEAT

RIDER 1030 BIOCLIP, 1997-05

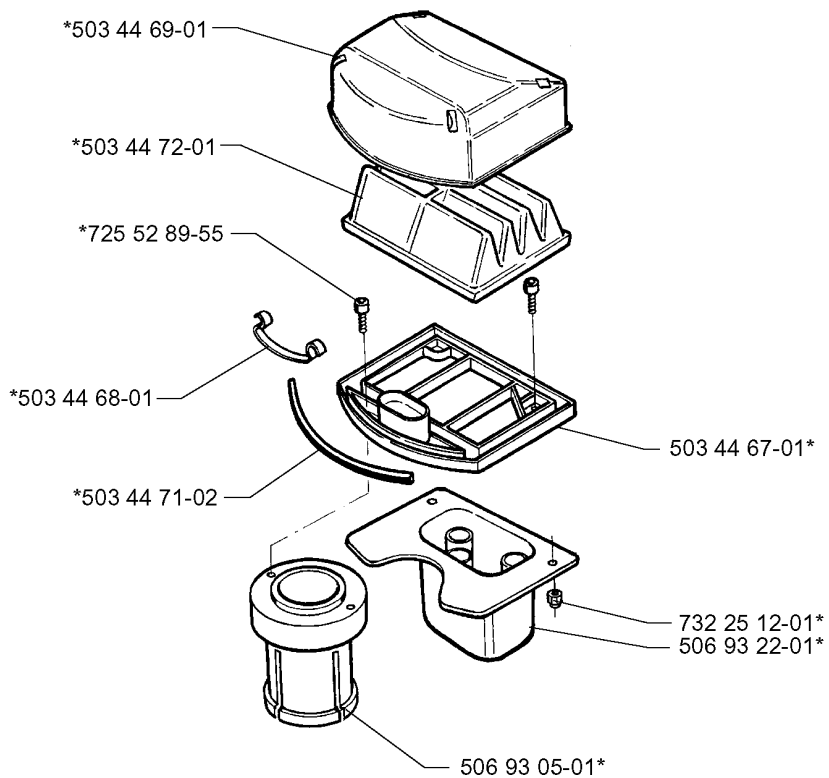
Part No	Description	Remark	QTY KIT
501 69 17-02	COMBINATION WRENCH		1
502 71 36-01	SPANNER		1
506 54 80-01	SEAT BRACKET ASSY		1
506 55 08-05	STARTKABEL BATT-JORD		1
506 55 08-06	STARTKABEL BATT-RELÄ		1
506 55 08-07	STARTKABEL RELÄ-MOTO		1
506 79 99-01	WIRING		1
506 80 01-01	ATTACHMENT PLATE		1
506 94 80-01	WIRING		1
725 24 49-51	SCREW		1
725 24 55-51	SCREW		1
725 25 20-51	SCREW EHHM		1
731 23 18-01	HEXAGON NUT		1
732 21 18-01	LOCK NUT		1
732 21 18-01	LOCK NUT		1
732 21 20-51	NUT		1
734 11 64-41	WASHER		1
734 11 72-01	WASHER		1
964 99 96-01	TECHNICAL SPECIFICATION		1

R

CAT



*compl 506 93 24-01



ENGINE

RIDER 1030 BIOCLIP, 1997-05

Part No	Description	Remark	QTY KIT
503 44 67-01	FILTER HOLDER		1
503 44 68-01	SPRING		1
503 44 69-01	FILTER HOLDER		1
503 44 71-02	GASKET		1
503 44 72-01	AIR FILTER		1
506 82 82-02	BRÄNNSKYDD KPL CAT		1
506 92 93-01	MUFFLER		1
506 93 02-01	EXHAUST PIPE		1
506 93 05-01	CONNECTION		1
506 93 21-01	HOSE		1
506 93 22-01	MUFFLER		1
506 93 23-01	VALVE		1
506 93 24-01	FILTER		1
506 93 24-01	FILTER		1
506 93 61-01	CLIP		1
725 23 66-01			1
725 52 89-55	SCREW IHSCM		1
732 25 12-01	HEXAGON LOCKING NUT		1