

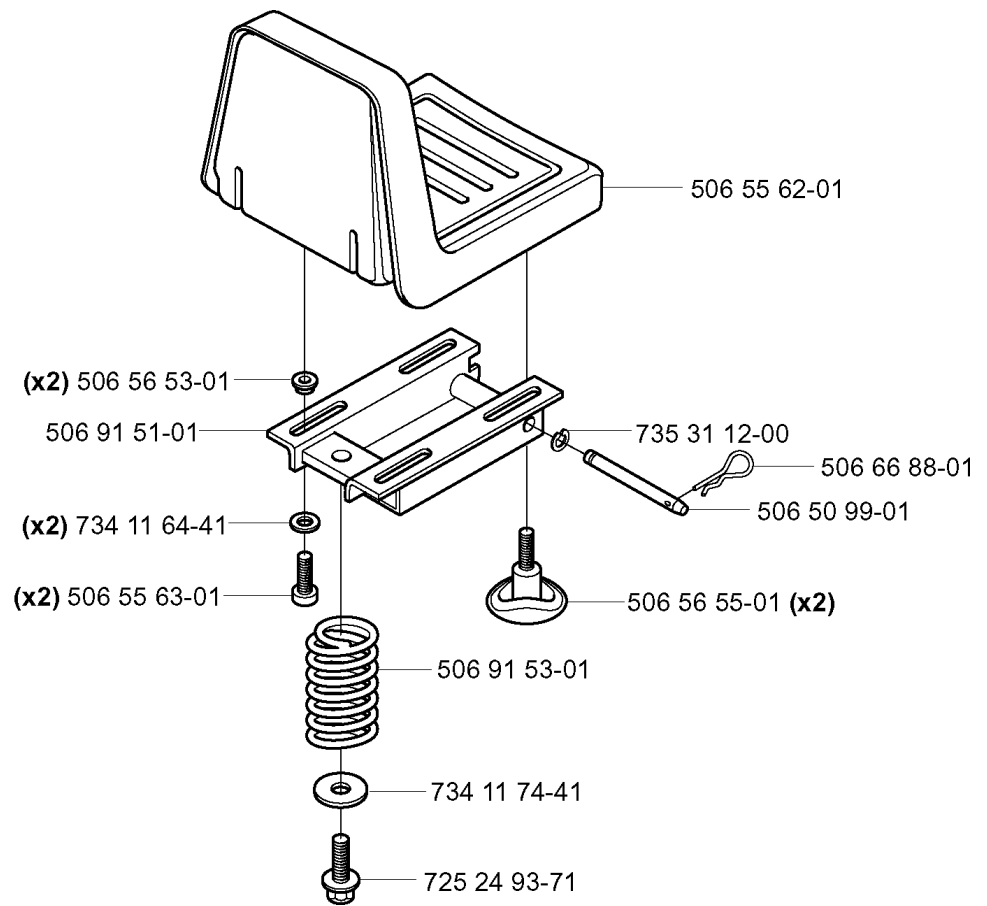


SPARE PARTS LIST

RIDERS

RIDER 11, 953519401, 2006-01

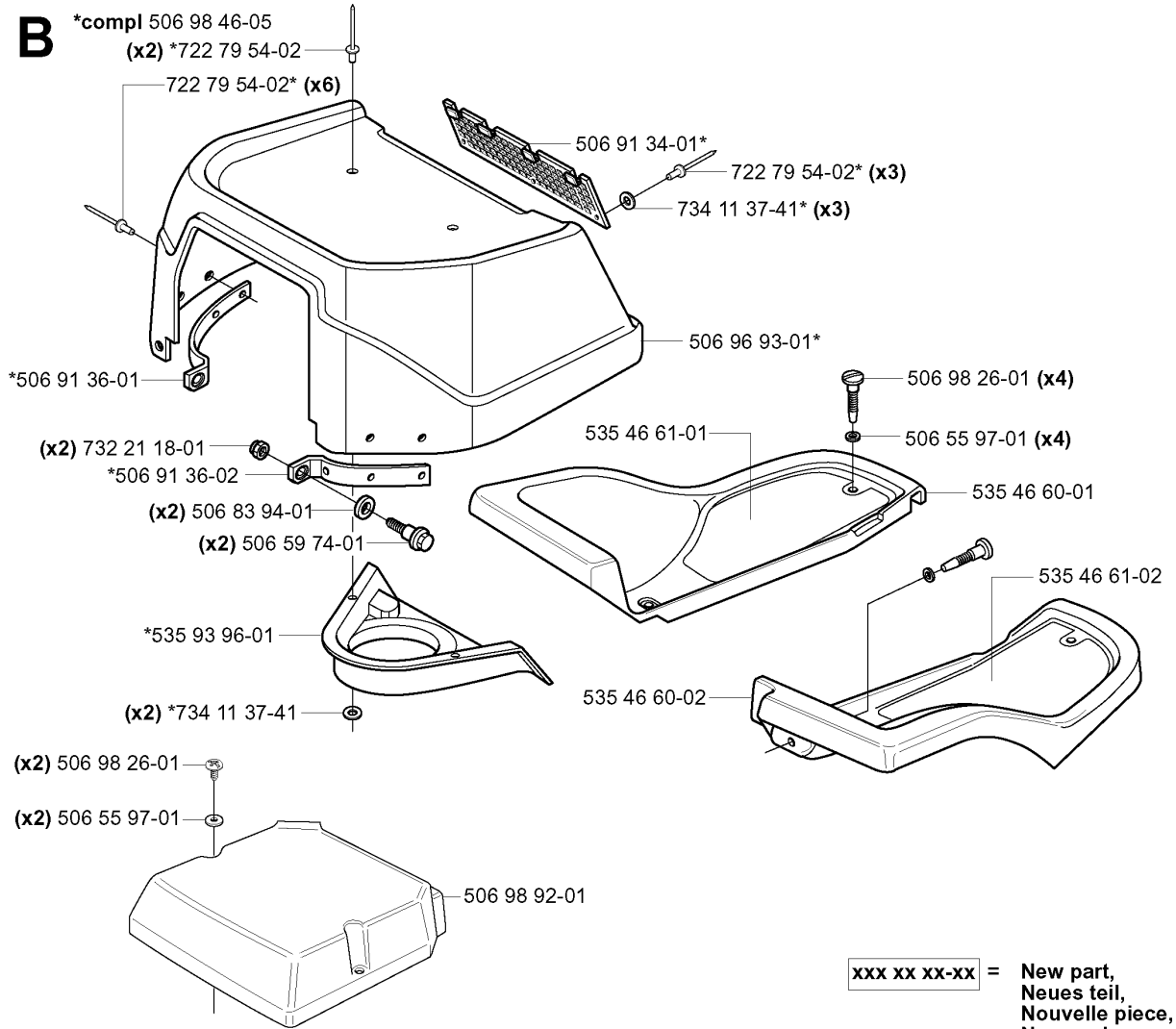
A



SEAT

RIDER 11, 953519401, 2006-01

Part No	Description	Remark	QTY KIT
506 50 99-01	SHAFT		1
506 55 62-01	SEAT		1
506 55 63-01	SCREW UNC		2
506 56 53-01	BUSHING		2
506 56 55-01	JUSTERVRED		2
506 66 88-01	SPRING COTTER		1
506 91 51-01	SEAT BRACKET ASSY		1
506 91 53-01	COMPRESSION SPRING		1
725 24 93-71	SCREW EHHM		1
734 11 64-41	WASHER		2
734 11 74-41	WASHER		1
735 31 12-00	CIRCLIP		1

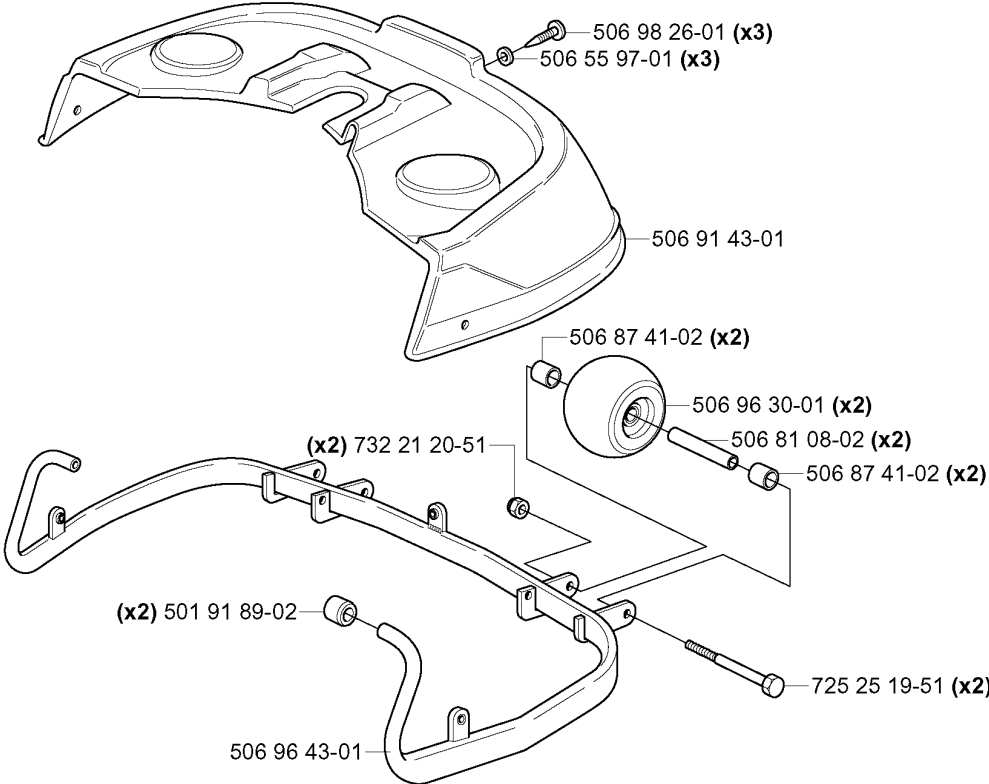


HOOD

RIDER 11, 953519401, 2006-01

Part No	Description	Remark	QTY KIT
506 55 97-01	WASHER		4
506 55 97-01	WASHER		2
506 59 74-01	SCREW EHHFM		2
506 83 94-01	SPRING WASHER		2
506 91 34-01	AIR GRIND		1
506 91 36-01	BRACKET		1
506 91 36-02	BRACKET		1
506 96 93-01	MOTOR COVER		1
506 98 26-01	SCREW		2
506 98 26-01	SCREW		4
506 98 46-05	ENGINE HOOD ASSY		1
506 98 92-01	COVER		1
535 46 60-01	FLYGEL VÄ.		1
535 46 60-02	FLYGEL HÖ.		1
535 46 61-01	MAT		1
535 46 61-02	MAT		1
535 93 96-01	AIR CONDUCTOR		1
722 79 54-02	RIVET		2
722 79 54-02	RIVET		6
722 79 54-02	RIVET		3
732 21 18-01	LOCK NUT		2
734 11 37-41	WASHER		3
734 11 37-41	WASHER		2

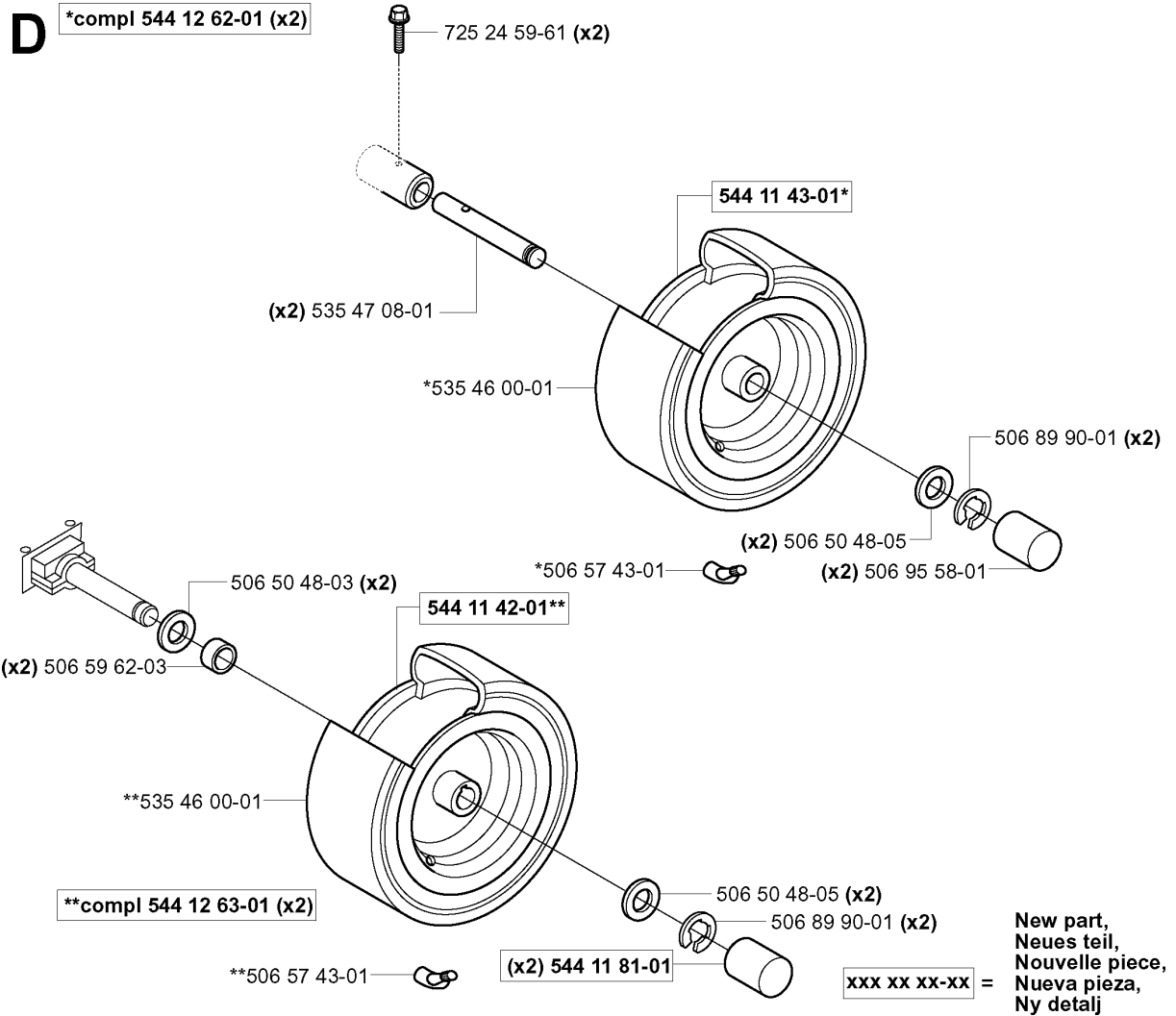
C



PROTECTION FRAME

RIDER 11, 953519401, 2006-01

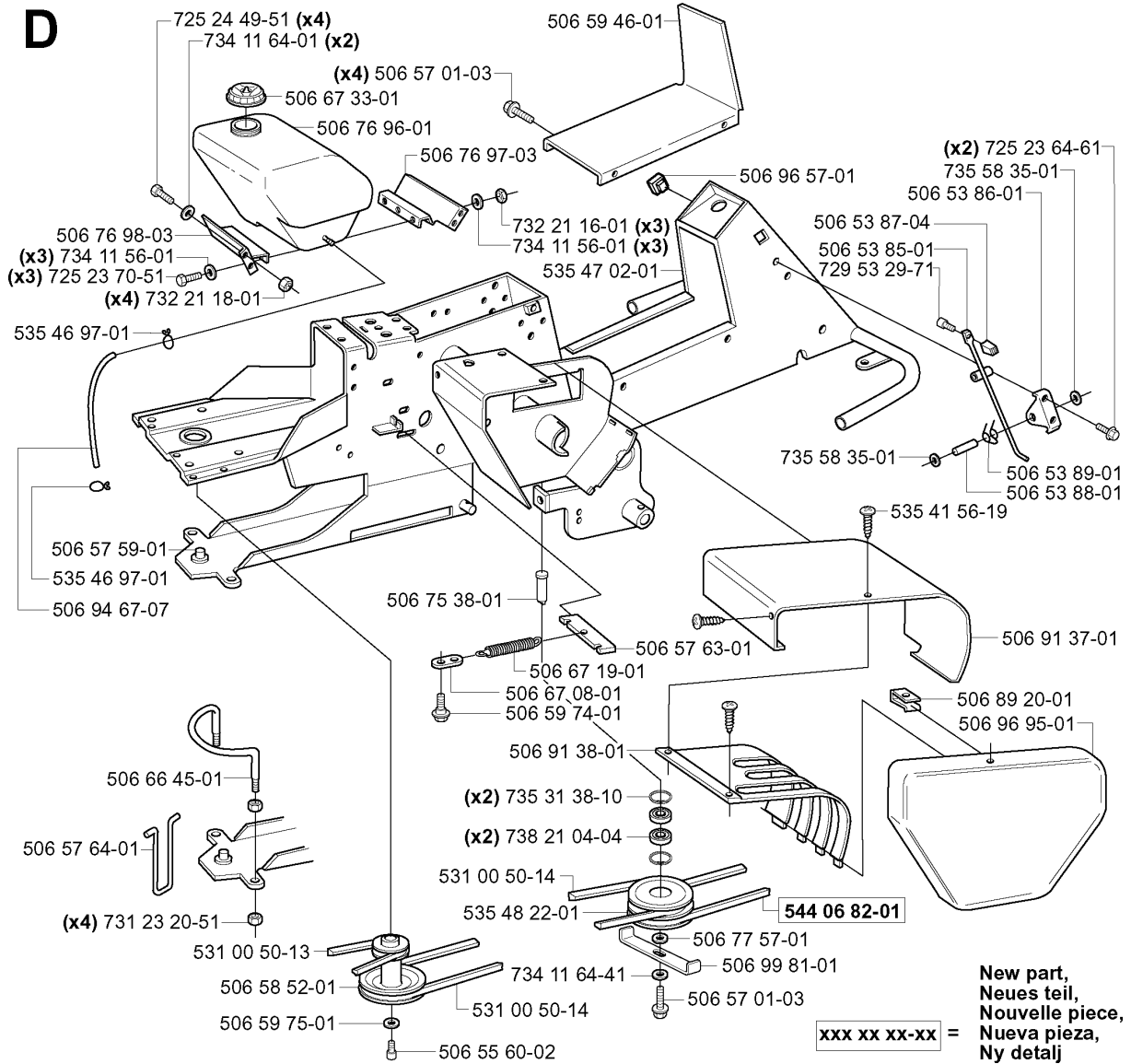
Part No	Description	Remark	QTY KIT
501 91 89-02	SUPPORT		2
506 55 97-01	WASHER		3
506 81 08-02	TUBE		2
506 87 41-02	SPACER		2
506 87 41-02	SPACER		2
506 91 43-01	COVER		1
506 96 30-01	WHEEL ASSY		2
506 96 43-01	PROTECTIVE TUBING		1
506 98 26-01	SCREW		3
725 25 19-51	SCREW EHHM		2
732 21 20-51	NUT		2



WHEELS & TIRES

RIDER 11, 953519401, 2006-01

Part No	Description	Remark	QTY KIT
506 50 48-03	WASHER		2
506 50 48-05	WASHER		2
506 50 48-05	WASHER		2
506 57 43-01	VALVE ASSY		1
506 57 43-01	VALVE ASSY		1
506 59 62-03	SPACING SLEEVE		2
506 89 90-01	E-CLIP		2
506 89 90-01	E-CLIP		2
506 95 58-01	CUP		2
535 46 00-01	TYRE		1
535 46 00-01	TYRE		1
535 47 08-01	WHEEL AXLE		2
544 11 42-01	RIM		1
544 11 43-01	RIM		1
544 11 81-01	KNOB		2
544 12 62-01	WHEEL		2
544 12 63-01	WHEEL		2
725 24 59-61	SCREW EHHFT		2

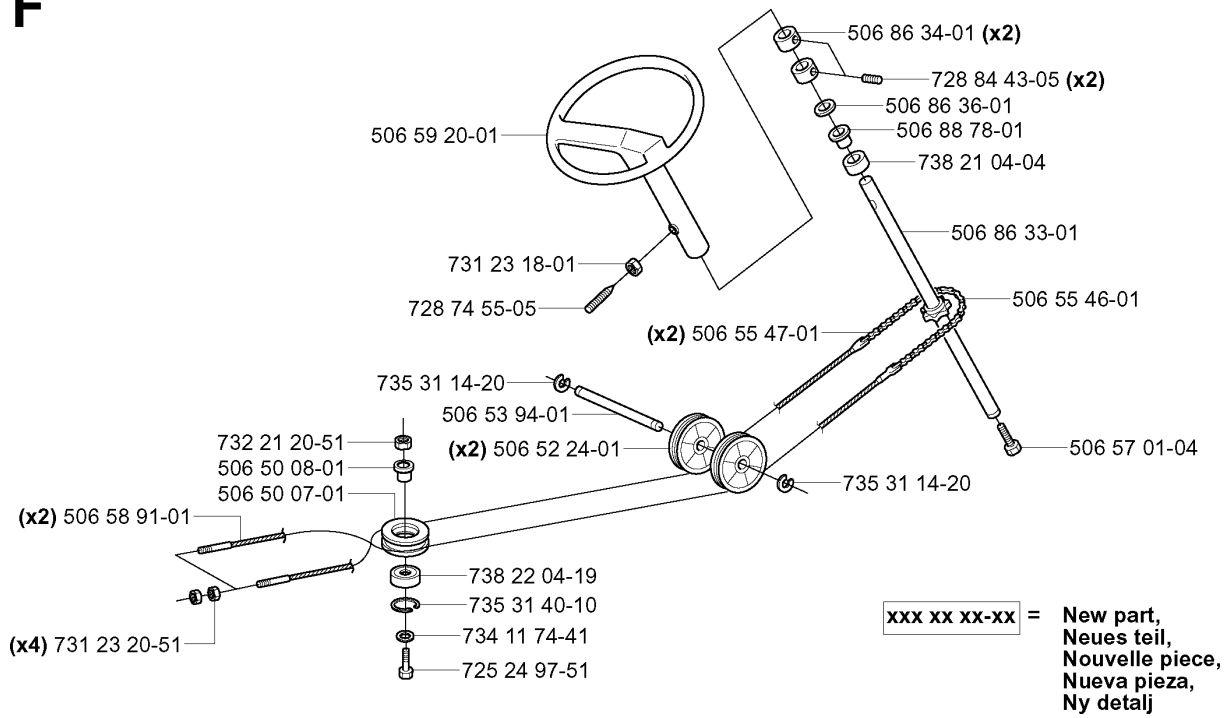


CHASSIS / FRAME

RIDER 11, 953519401, 2006-01

Part No	Description	Remark	QTY KIT
506 53 85-01	LOCKING ARM		1
506 53 86-01	BRACKET		1
506 53 87-04	CONTROL BUTTON		1
506 53 88-01	SHAFT		1
506 53 89-01	SPRING		1
506 55 60-02	SCREW UNC		1
506 57 01-03	SCREW EHHFM		1
506 57 59-01	PIVOT		1
506 57 63-01	SPRING RETAINER		1
506 57 64-01	CABLE HOLDER		1
506 58 52-01	PULLEY		1
506 59 46-01	LOCK GOLVTUNNEL		1
506 59 74-01	SCREW EHHFM		1
506 59 75-01	WASHER		1
506 66 45-01	BELT GUIDE		1
506 67 08-01	LINK		1
506 67 19-01	SPRING		1
506 67 33-01	TANK CAP ASSY		1
506 76 96-01	FUEL TANK		1
506 76 97-03	BRACKET		1
506 76 98-03	BRACKET		1
506 89 20-01	SPEED NUT		1
506 90 60-01	SAFETY NEEDLE		1
506 91 37-01	COVER PLATE		1
506 91 38-01	CONTROL PLATE		1
506 94 67-07	FUEL HOSE		1
506 96 57-01	PLUG		1
506 96 95-01	CONTROL CAP		1
531 00 50-13	BELT		1
531 00 50-16	BELT		1
535 41 56-19	SCREW		1
535 46 97-01	HOSE BRACE		1
535 46 97-01	HOSE BRACE		1
535 47 01-01	FRAME		1
725 23 64-61	SCREW EHHFT		1
725 23 70-51	SCREW		1
725 24 49-51	SCREW		1
729 53 29-71	SCREW CRPANT		1
731 23 20-51	HEXAGON NUT		1
731 23 20-51	HEXAGON NUT		1
732 21 16-01	LOCK NUT		1
732 21 18-01	LOCK NUT		1
734 11 56-01	WASHER		1
734 11 56-01	WASHER		1
734 11 64-01	WASHER		1
735 58 35-01	WASHER		1
735 58 35-01	WASHER		1

F

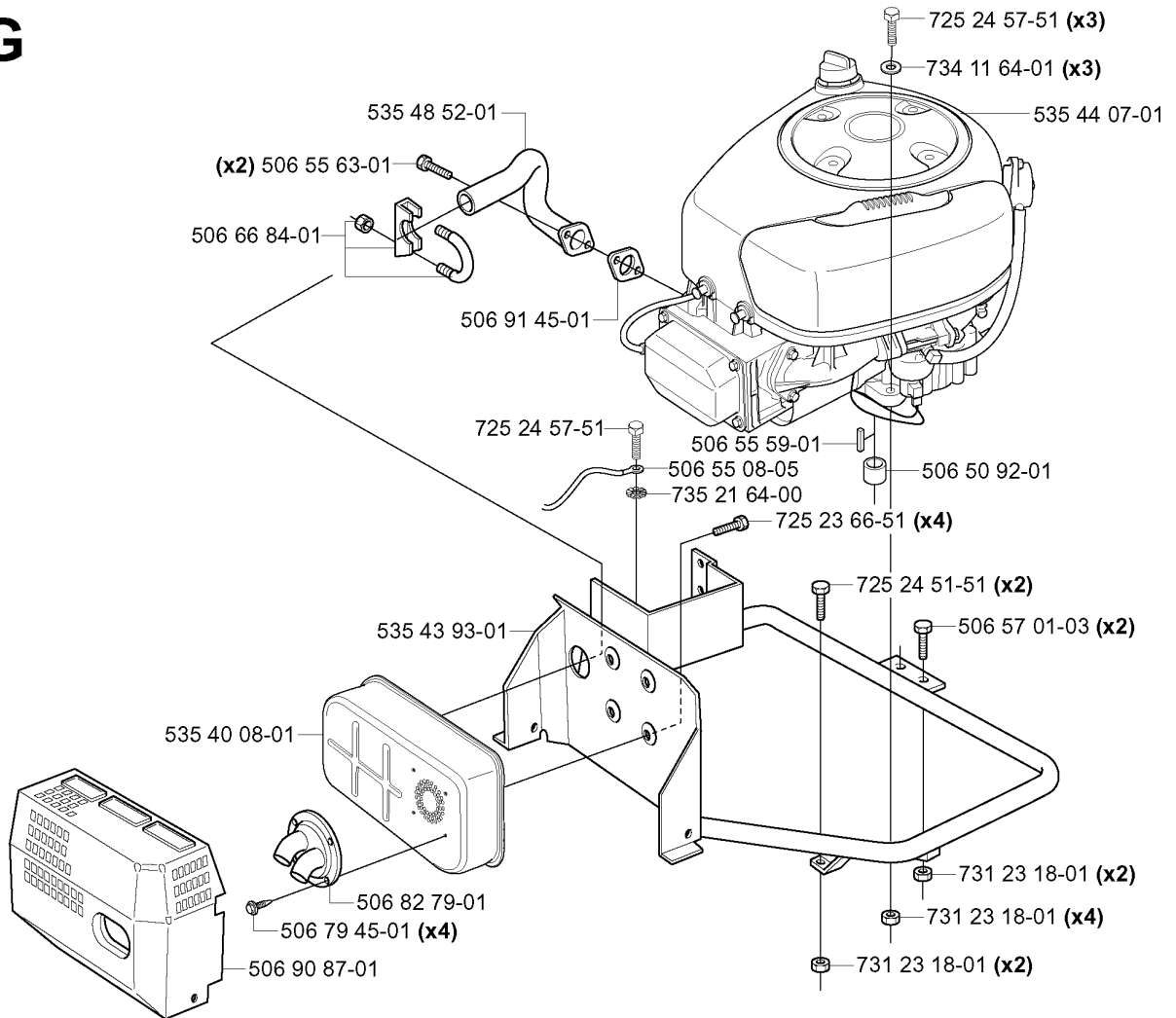


STEERING

RIDER 11, 953519401, 2006-01

Part No	Description	Remark	QTY KIT
506 50 07-01	BARRING WHEEL		1
506 50 08-01	BUSHING		1
506 52 24-01	STARTER PULLEY		2
506 53 94-01	SHAFT		1
506 55 46-01	CHAIN		1
506 55 47-01	LINKAGE		2
506 57 01-04	SCREW EHHFM		1
506 58 91-01	WIRE ASSY		2
506 59 20-01	STEERING WHEEL		1
506 86 33-01	ROD STEERING ASSY		1
506 86 34-01	DRIVER		2
506 86 36-01	WASHER		1
506 88 78-01	SPACER		1
725 24 97-51	SCREW		1
728 74 55-05	SCREW IHSETM		1
728 84 43-05	SCREW IHSETM		2
731 23 18-01	HEXAGON NUT		1
731 23 20-51	HEXAGON NUT		4
732 21 20-51	NUT		1
734 11 74-41	WASHER		1
735 31 14-20	E-CLIP		1
735 31 14-20	E-CLIP		1
735 31 40-10	CIRCLIP		1
738 21 04-04	BALL BEARING		1
738 22 04-19	BALL BEARING		1

G

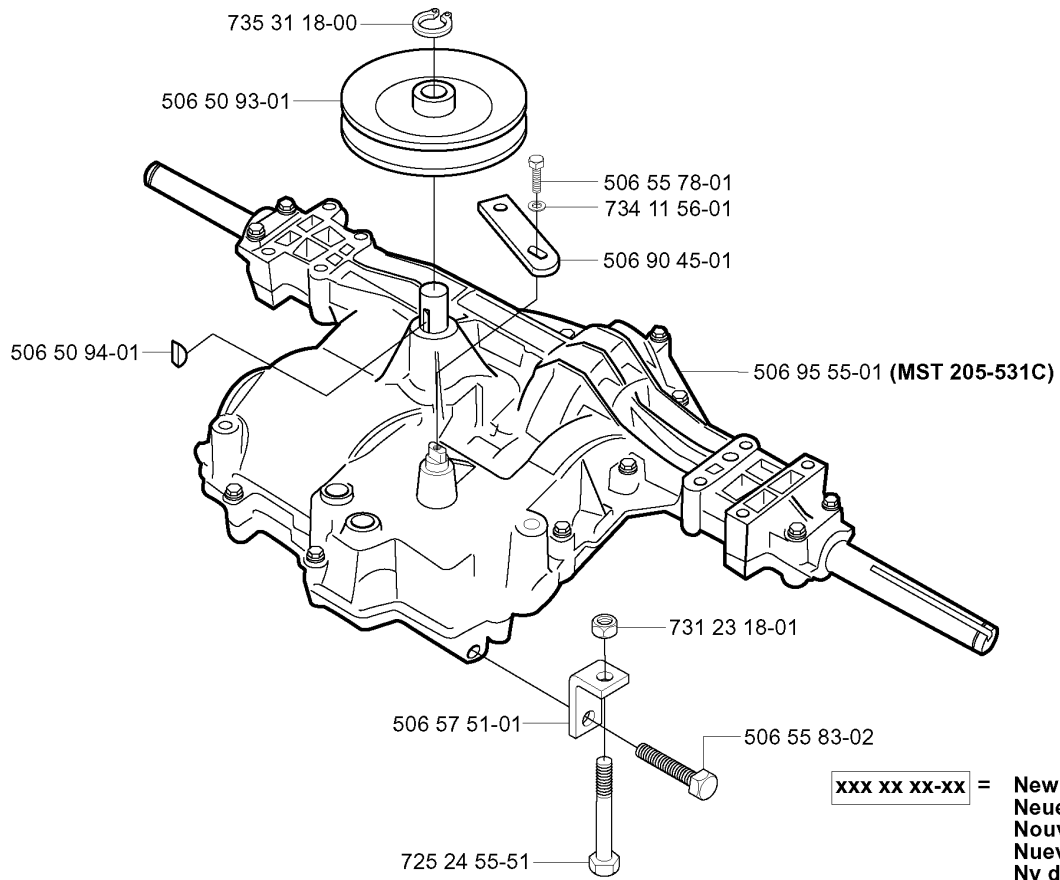


ENGINE

RIDER 11, 953519401, 2006-01

Part No	Description	Remark	QTY KIT
506 50 92-01	SPACING SLEEVE		1
506 55 08-05	STARTKABEL BATT-JORD		1
506 55 59-01	WEDGE		1
506 55 63-01	SCREW UNC		2
506 57 01-03	SCREW EHHFM		2
506 66 84-01	CLAMP ASSY		1
506 79 45-01	SCREW		4
506 82 79-01	DEFLECTOR		1
506 90 87-01	HEAT PROTECTOR		1
506 91 45-01	GASKET		1
535 40 08-01	MUFFLER ASSY		1
535 43 93-01	ENGINE FRAME		1
535 44 07-01	MOTOR		1
535 48 52-01	EXHAUST PIPE ASSY		1
725 23 66-51	HEXAGONAL SCREW M6X12		4
725 24 51-51	SCREW		2
725 24 57-51	SCREW		3
725 24 57-51	SCREW		1
731 23 18-01	HEXAGON NUT		4
731 23 18-01	HEXAGON NUT		2
731 23 18-01	HEXAGON NUT		2
734 11 64-01	WASHER		3
735 21 64-00	LOCKWASHER		1

H

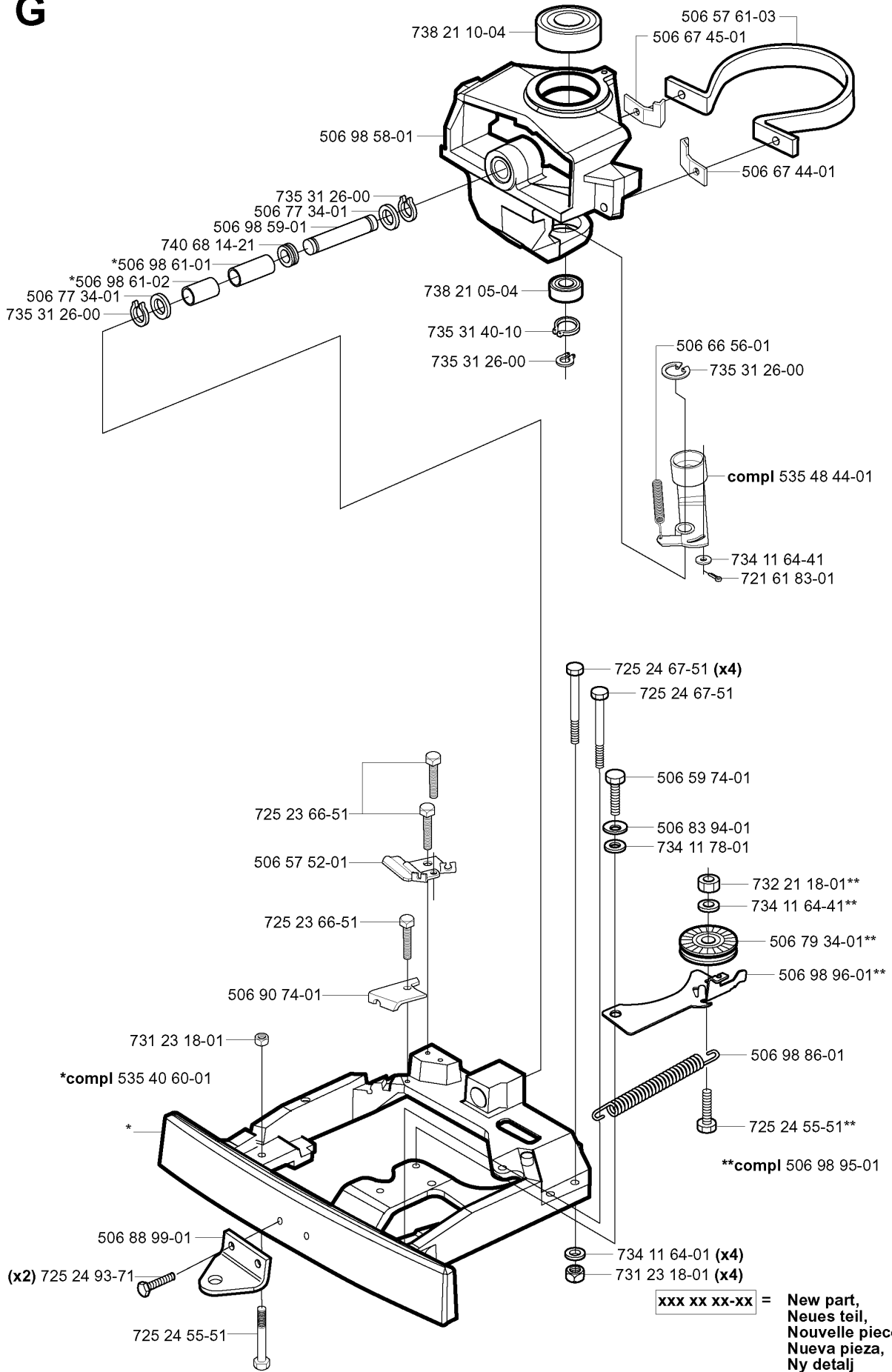


TRANSMISSION

RIDER 11, 953519401, 2006-01

Part No	Description	Remark	QTY KIT
506 50 93-01	PULLEY		1
506 50 94-01	WOODRUFF KEY		1
506 55 78-01	U6S-UNF1/4"X28 L=16		1
506 55 83-02	SCREW EHHFT		1
506 57 51-01	BRACKET		1
506 90 45-01	VÄXELARM		1
506 95 55-01	GEAR CASE MST 205	MST 205-531C	1
725 24 55-51	SCREW		1
731 23 18-01	HEXAGON NUT		1
734 11 56-01	WASHER		1
735 31 18-00	CIRCLIP		1

G

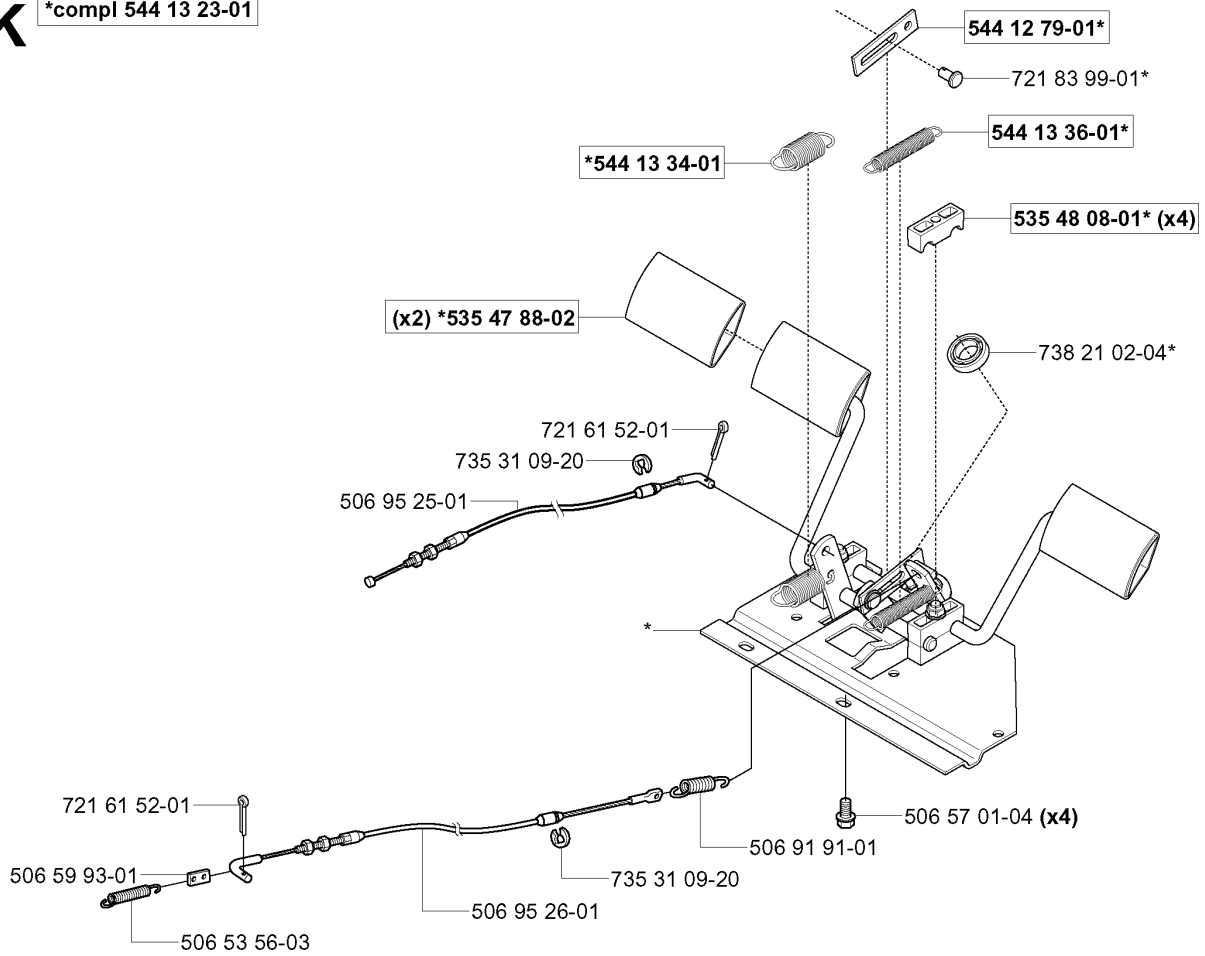


CHASSIS / FRAME

RIDER 11, 953519401, 2006-01

Part No	Description	Remark	QTY KIT
506 54 35-01	BUSHING		1
506 56 38-01	TENSION ROLLER		1
506 57 52-01	WIRE HOLDER		1
506 57 61-03	STYRKANS		1
506 59 50-01	LEVER		1
506 59 51-01	REMSP. KNIVDRIVNING		1
506 59 74-01	SCREW EHHFM		1
506 66 56-01	SPRING		1
506 67 44-01	BELT GUIDE		1
506 67 45-01	BELT GUIDE		1
506 77 34-01	WASHER		1
506 77 34-01	WASHER		1
506 79 34-01	BELT TENS WHEEL ASSY		1
506 83 94-01	SPRING WASHER		1
506 88 99-01	HITCH		1
506 90 74-01	WIRE HOLDER		1
506 98 58-01	SPINDLE		1
506 98 59-01	SWING AXLE		1
506 98 61-01	GLIDLAGER		1
506 98 61-02	GLIDLAGER		1
506 98 86-01	SPRING		1
506 98 95-01	BELT TENSIONER ASSY		1
506 98 96-01	BELT TENSIONER		1
535 40 60-01	BRACKET		1
725 23 66-51	HEXAGONAL SCREW M6X12		1
725 23 66-51	HEXAGONAL SCREW M6X12		1
725 24 55-51	SCREW		1
725 24 55-51	SCREW		1
725 24 59-51	SCREW EHHM		1
725 24 67-51	SCREW EHHM		1
725 24 67-51	SCREW EHHM		4
725 24 93-71	SCREW EHHM		2
731 23 18-01	HEXAGON NUT		4
731 23 18-01	HEXAGON NUT		1
732 21 18-01	LOCK NUT		1
732 21 18-01	LOCK NUT		1
734 11 64-01	WASHER		4
734 11 64-41	WASHER		1
734 11 64-41	WASHER		1
734 11 78-01	WASHER		1
735 31 26-00	CIRCLIP		1
735 31 26-00	CIRCLIP		1
735 31 26-00	CIRCLIP		1
735 31 26-00	CIRCLIP		1
735 31 38-10	CIRCLIP		1
735 31 40-10	CIRCLIP		1
738 21 04-04	BALL BEARING		1
738 21 05-04	BALL BEARING		1
738 21 10-04	BALL BEARING		1
738 88 10-01	LUBRICATION NIPPLE		1
740 68 14-21	V-RING		1

K *compl 544 13 23-01

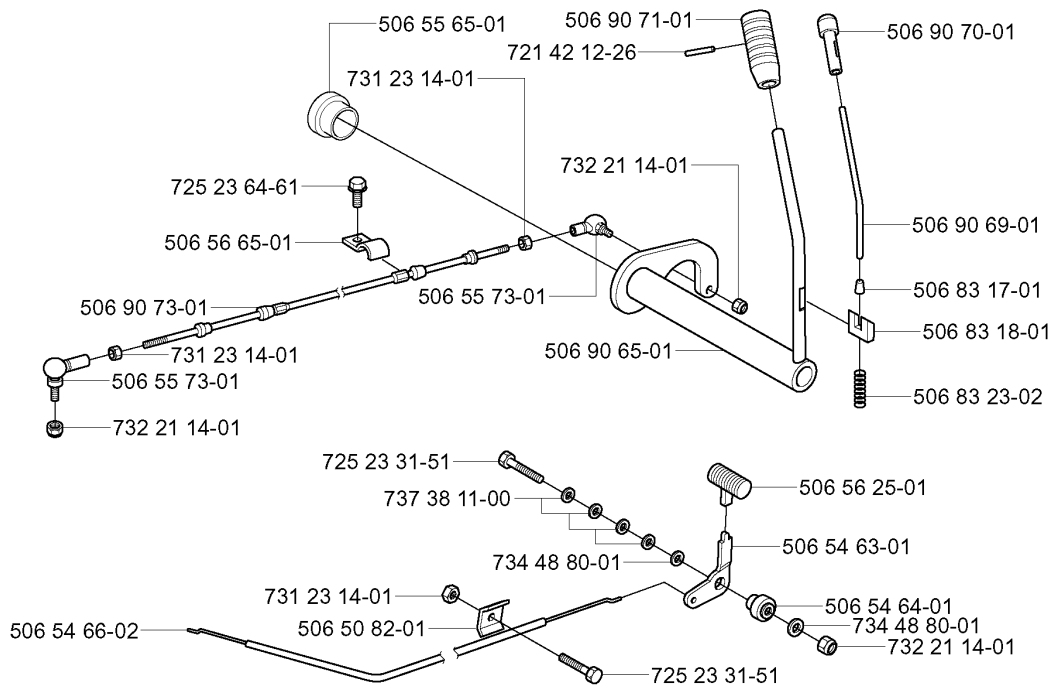


PEDALS

RIDER 11, 953519401, 2006-01

Part No	Description	Remark	QTY KIT
506 53 56-03	DRAW SPRING		1
506 57 01-04	SCREW EHHFM		4
506 59 93-01	LINK		1
506 91 91-01	BRAKE SPRING		1
506 95 25-01	WIRE ASSY		1
506 95 26-01	CABLE		1
535 47 88-02	PEDAL RUBBER		2
535 48 08-01	BEARING SUPPORT		4
544 12 79-01	LINK		1
544 13 23-01	PEDAL PLATE ASSY		1
544 13 34-01	DRAW SPRING		1
544 13 36-01	DRAW SPRING		1
721 61 52-01	SPLIT PIN		1
721 61 52-01	SPLIT PIN		1
721 83 99-01	CLEVIS PIN		1
735 31 09-20	E-CLIP		1
735 31 09-20	E-CLIP		1
738 21 02-04	BALL BEARING		1

L



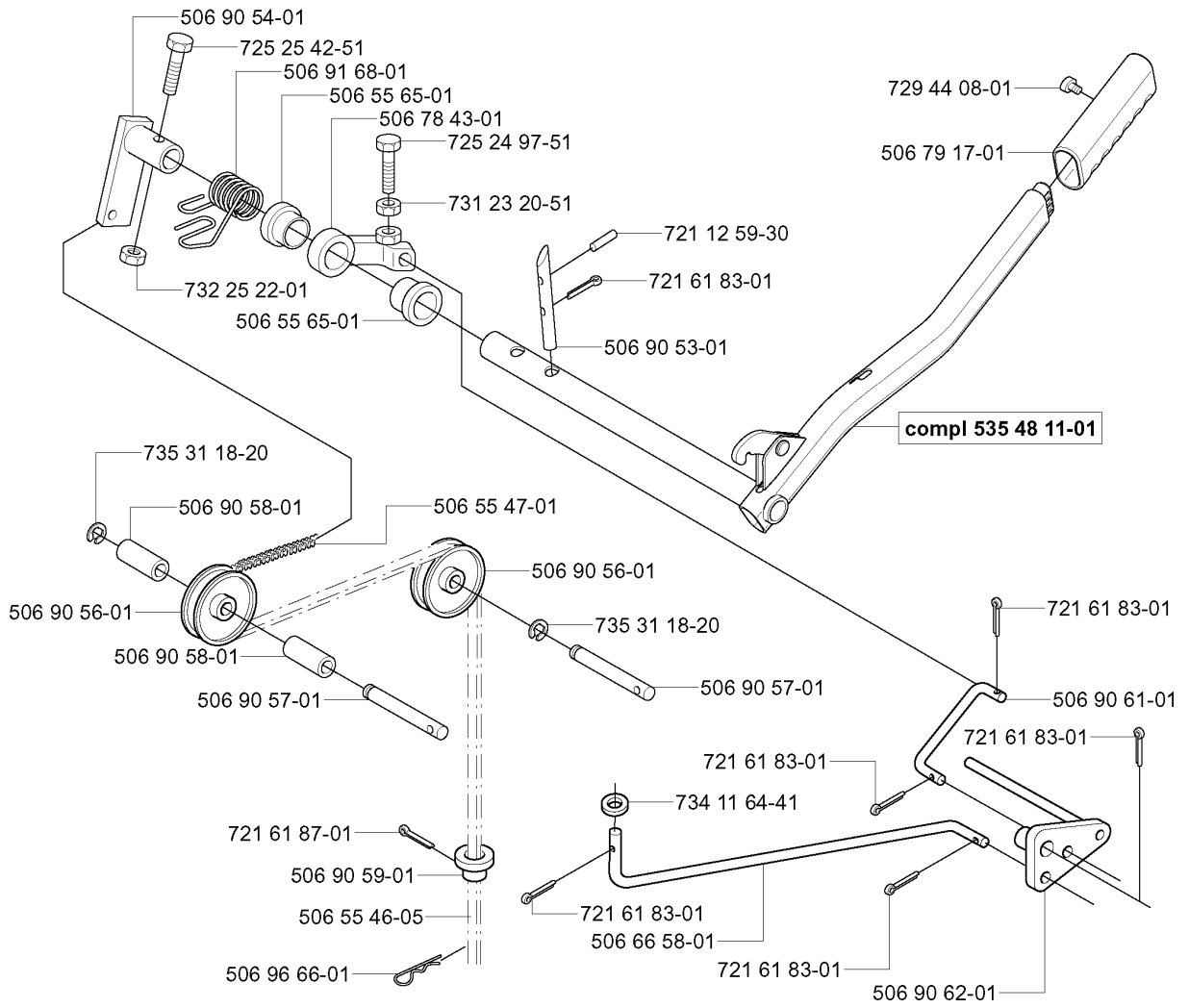
**xxx xx xx-xx = New part,
Neues teil,
Nouvelle piece,
Nueva pieza,
Ny detalj**

CONTROLS

RIDER 11, 953519401, 2006-01

Part No	Description	Remark	QTY KIT
506 50 82-01	CLIP		1
506 54 63-01	LEVER THROTTLE CONTR		1
506 54 64-01	BUSHING		1
506 54 66-02	THROTTLE CABLE ASSY		1
506 55 65-01	BEARING		1
506 55 73-01	VINKELL.AS8 DIN71802		1
506 55 73-01	VINKELL.AS8 DIN71802		1
506 56 25-01	HANDLE		1
506 56 65-01	CLIP		1
506 83 17-01	END FITTING		1
506 83 18-01	LOCK		1
506 83 23-02	COMPRESSION SPRING		1
506 90 65-01	GEAR LEVER ASSY		1
506 90 69-01	PUSH ROD		1
506 90 70-01	KNOB		1
506 90 71-01	HANDLE		1
506 90 73-01	VÄXELVÄLJARKABEL		1
721 42 12-26	SPRING PIN		1
725 23 31-51	SCREW		1
725 23 31-51	SCREW		1
725 23 64-61	SCREW EHHFT		1
731 23 14-01	HEXAGON NUT		1
731 23 14-01	HEXAGON NUT		1
731 23 14-01	HEXAGON NUT		1
732 21 14-01	LOCK NUT		1
732 21 14-01	LOCK NUT		1
732 21 14-01	LOCK NUT		1
734 48 80-01	WASHER		1
734 48 80-01	WASHER		1
737 38 11-00	DISC SPRING		1

M

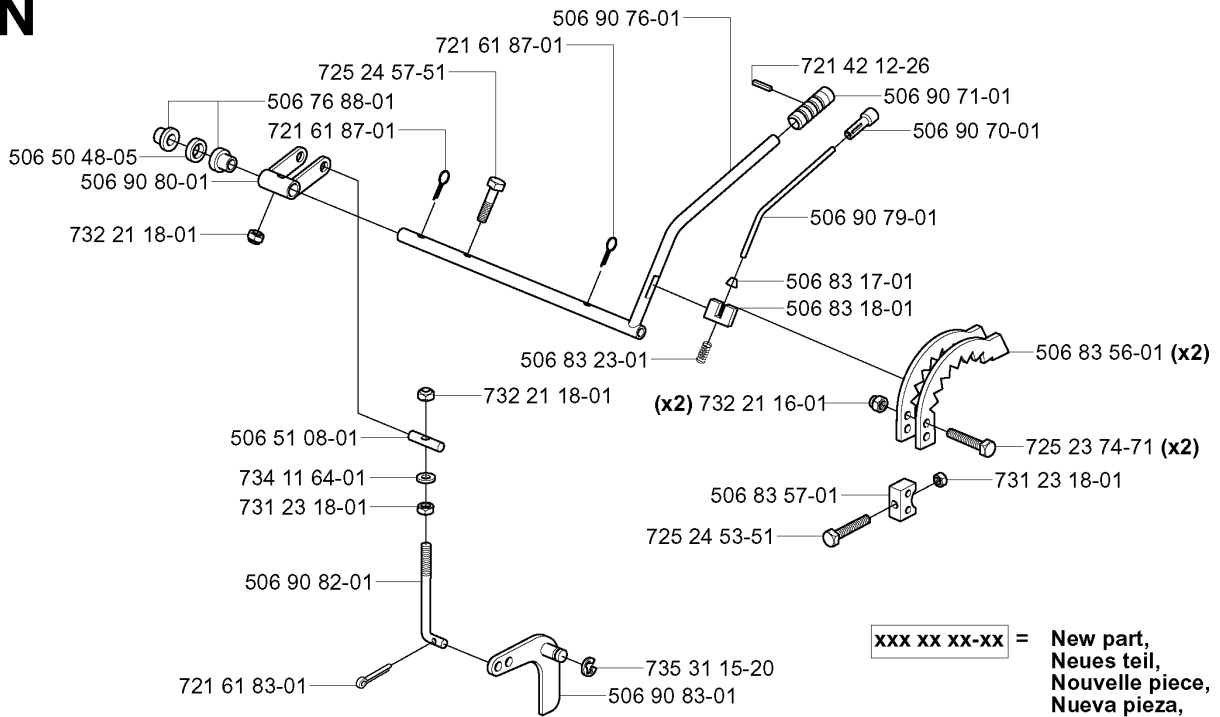


CONTROLS

RIDER 11, 953519401, 2006-01

Part No	Description	Remark	QTY KIT
506 55 46-05	CHAIN		1
506 55 47-01	LINKAGE		1
506 55 65-01	BEARING		1
506 55 65-01	BEARING		1
506 66 58-01	CLUTCH ROD REAR		1
506 78 43-01	LINK ASSY		1
506 79 17-01	HANDLE		1
506 90 53-01	PEN		1
506 90 54-01	LIFTING ARM		1
506 90 56-01	OFFSET PULLEY		1
506 90 56-01	OFFSET PULLEY		1
506 90 57-01	SHAFT		1
506 90 57-01	SHAFT		1
506 90 58-01	TUBE SLEEVE		1
506 90 58-01	TUBE SLEEVE		1
506 90 59-01	CHAIN STOP		1
506 90 61-01	CONNECTION ROD		1
506 90 62-01	LINK ASSY LOWER		1
506 91 68-01	SPRING		1
506 96 66-01	HAIR PIN COTTER		1
535 48 11-01	LIFT LEVER CPL.		1
721 12 59-30	GROOVED PIN		1
721 61 83-01	SPLIT PIN		1
721 61 83-01	SPLIT PIN		1
721 61 83-01	SPLIT PIN		1
721 61 83-01	SPLIT PIN		1
721 61 83-01	SPLIT PIN		1
721 61 83-01	SPLIT PIN		1
721 61 87-01	SPLIT PIN		1
725 24 97-51	SCREW		1
725 25 42-51	SCREW EHHM		1
729 44 08-01	SCREW SLCSRT		1
731 23 20-51	HEXAGON NUT		1
732 25 22-01	HEXAGON LOCKING NUT		1
734 11 64-41	WASHER		1
735 31 18-20	E-CLIP		1
735 31 18-20	E-CLIP		1

N

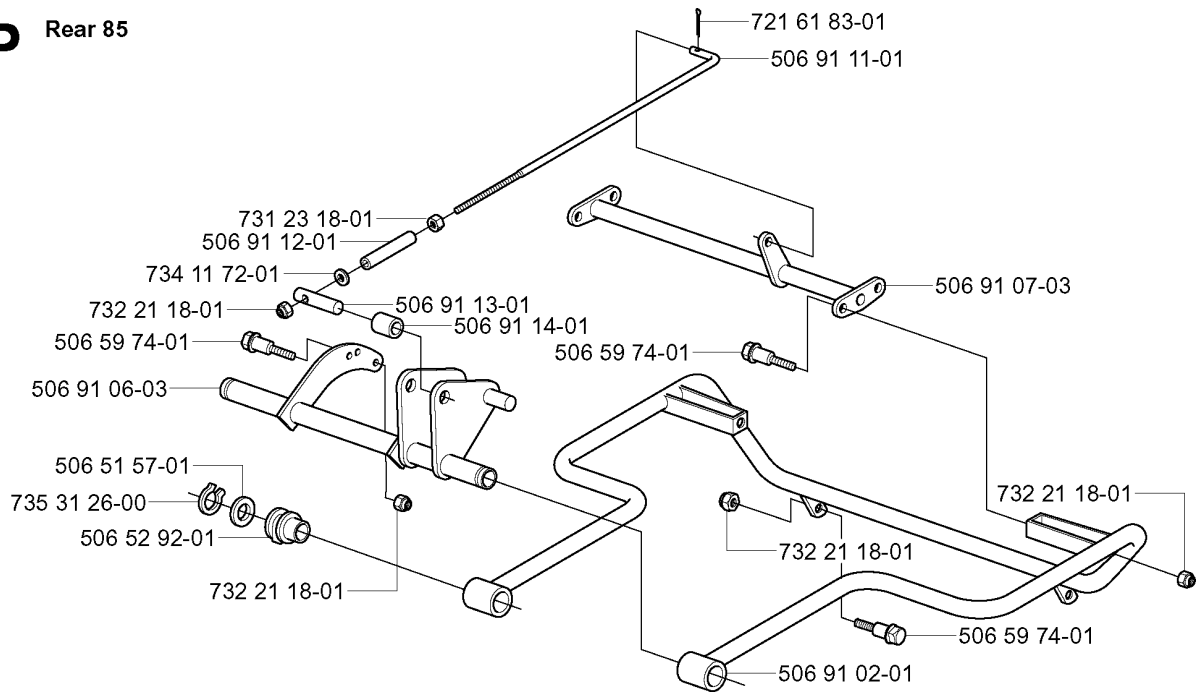


CONTROLS

RIDER 11, 953519401, 2006-01

Part No	Description	Remark	QTY KIT
506 50 48-05	WASHER		1
506 51 08-01	NIPPLE		1
506 76 88-01	BUSHING		1
506 83 17-01	END FITTING		1
506 83 18-01	LOCK		1
506 83 23-01	SPRING		1
506 83 56-01	HÖJDSEGMENT		2
506 83 57-01	BRACKET		1
506 90 70-01	KNOB		1
506 90 71-01	HANDLE		1
506 90 76-01	LIFTING LEVER ASSY		1
506 90 79-01	PUSH ROD		1
506 90 80-01	LEVER		1
506 90 82-01	HEIGHT ROD		1
506 90 83-01	LINK ASSY		1
721 42 12-26	SPRING PIN		1
721 61 83-01	SPLIT PIN		1
721 61 87-01	SPLIT PIN		1
721 61 87-01	SPLIT PIN		1
725 23 74-71	SCREW EHHM		2
725 24 53-51	SCREW EHHM		1
725 24 57-51	SCREW		1
731 23 18-01	HEXAGON NUT		1
731 23 18-01	HEXAGON NUT		1
732 21 16-01	LOCK NUT		2
732 21 18-01	LOCK NUT		1
732 21 18-01	LOCK NUT		1
734 11 64-01	WASHER		1
735 31 15-20	E-CLIP		1

P Rear 85

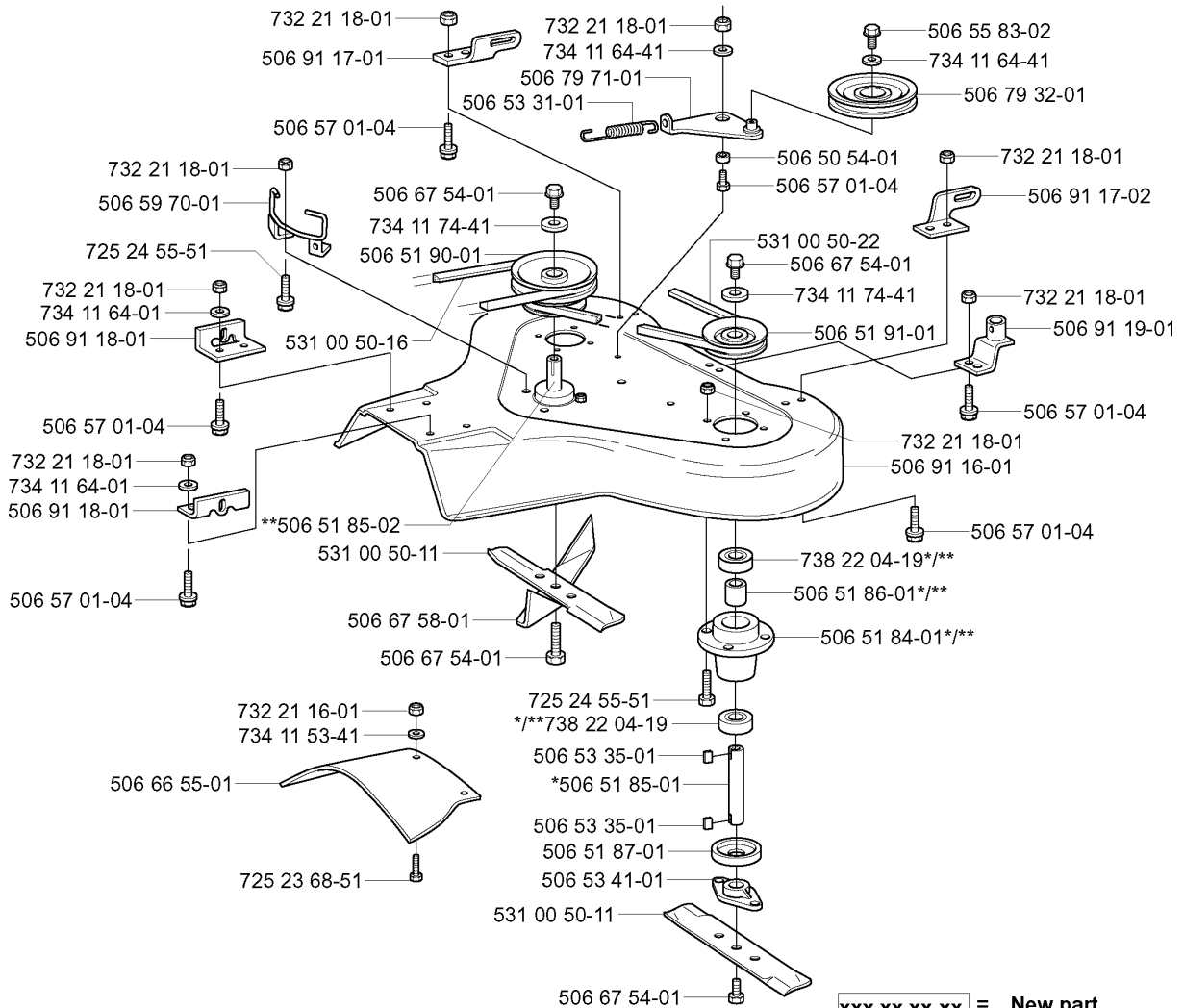


FRAME

RIDER 11, 953519401, 2006-01

Part No	Description	Remark	QTY KIT
506 51 57-01	WASHER		1
506 52 92-01	BEARING SLEEVE		1
506 59 74-01	SCREW EHHFM		1
506 59 74-01	SCREW EHHFM		1
506 59 74-01	SCREW EHHFM		1
506 91 02-01	WELT FRAME ASSY		1
506 91 06-03	LIFTING YOKE		1
506 91 07-03	TVÄRRÖR KPL.		1
506 91 11-01	PARALLEL ROD		1
506 91 12-01	TUBE SLEEVE		1
506 91 13-01	NIPPLE		1
506 91 14-01	ROLLER		1
721 61 83-01	SPLIT PIN		1
731 23 18-01	HEXAGON NUT		1
732 21 18-01	LOCK NUT		1
732 21 18-01	LOCK NUT		1
732 21 18-01	LOCK NUT		1
732 21 18-01	LOCK NUT		1
734 11 72-01	WASHER		1
735 31 26-00	CIRCLIP		1

Q Rear 85 compl 506 91 15-04



*compl 506 53 34-01 Yttre. Outer. Exterieur. Äusser. Ulko.
 **compl 506 53 34-02 Mitten. Centre. Centre. Zentrum. Keski.

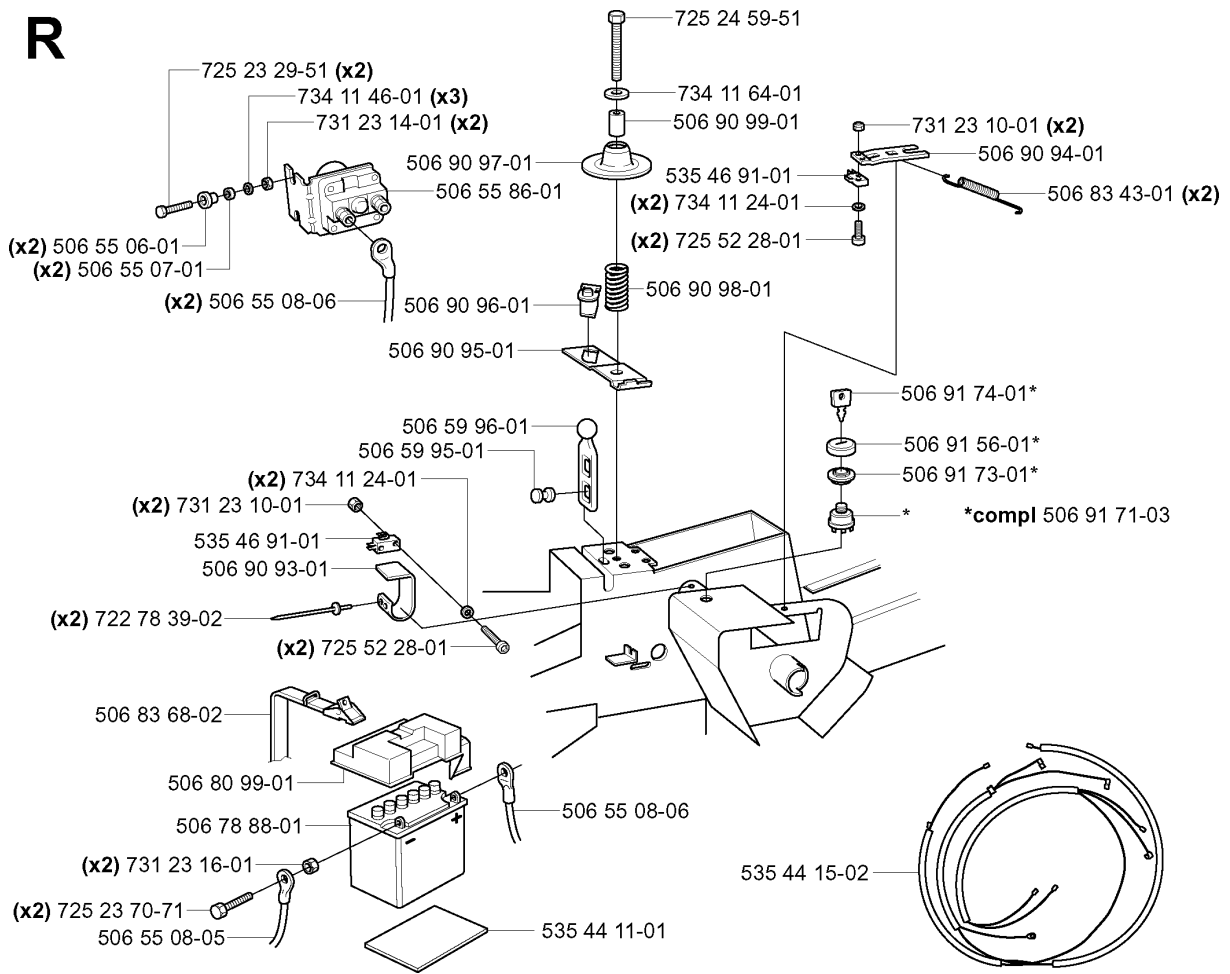
**xxx xx xx-xx = New part,
 Neues teil,
 Nouvelle piece,
 Nueva pieza,
 Ny detalj**

85CM CUTTING DECK

RIDER 11, 953519401, 2006-01

Part No	Description	Remark	QTY KIT
506 50 54-01	SPACER RING		1
506 51 84-01	BEARING HOUSING		1
506 51 85-01	SHAFT		1
506 51 85-02	SHAFT		1
506 51 86-01	SPACER		1
506 51 87-01	DUST COVER		1
506 51 90-01	PULLEY		1
506 51 91-01	PULLEY		1
506 53 31-01	SPRING		1
506 53 34-01	BLADE HOUSING	YTTRE.	1
506 53 34-02	BLADE HOUSING	MITTEN.	1
506 53 35-01	PARALLEL KEY		1
506 53 35-01	PARALLEL KEY		1
506 53 41-01	BLADE		1
506 55 83-02	SCREW EHHFT		1
506 57 01-04	SCREW EHHFM		1
506 57 01-04	SCREW EHHFM		1
506 57 01-04	SCREW EHHFM		1
506 57 01-04	SCREW EHHFM		1
506 57 01-04	SCREW EHHFM		1
506 57 01-04	SCREW EHHFM		1
506 57 01-04	SCREW EHHFM		1
506 59 70-01	BELT GUIDE		1
506 66 55-01	SPRAY GUARD		1
506 67 54-01	SCREW EHHFM		1
506 67 54-01	SCREW EHHFM		1
506 67 54-01	SCREW EHHFM		1
506 67 54-01	SCREW EHHFM		1
506 67 58-01	BLADE		1
506 79 32-01	BELT TENSIONER WHEEL		1
506 79 71-01	SPÄNNARM KPL.		1
506 91 15-04	DECK SHELL ASSY		1
506 91 16-01	COVER		1
506 91 17-01	BRACKET		1
506 91 17-02	BRACKET		1
506 91 18-01	BRACKET		1
506 91 18-01	BRACKET		1
506 91 19-01	LIFTING HOOK ASSY		1
531 00 50-11	RIDE ON BLADE		1
531 00 50-11	RIDE ON BLADE		1
531 00 50-16	BELT		1
531 00 50-22	BELT		1
725 23 68-51	SCREW		1
725 24 55-51	SCREW		1
725 24 55-51	SCREW		1
732 21 16-01	LOCK NUT		1
732 21 18-01	LOCK NUT		1
732 21 18-01	LOCK NUT		1
732 21 18-01	LOCK NUT		1
732 21 18-01	LOCK NUT		1
732 21 18-01	LOCK NUT		1
732 21 18-01	LOCK NUT		1
732 21 18-01	LOCK NUT		1
732 21 18-01	LOCK NUT		1
732 21 18-01	LOCK NUT		1
734 11 53-41	WASHER		1
734 11 64-01	WASHER		1
734 11 64-01	WASHER		1
734 11 64-41	WASHER		1
734 11 64-41	WASHER		1
734 11 74-41	WASHER		1
734 11 74-41	WASHER		1
738 22 04-19	BALL BEARING		1
738 22 04-19	BALL BEARING		1

R



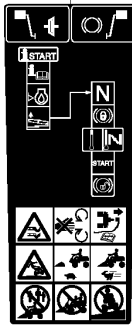
ELECTRICAL

RIDER 11, 953519401, 2006-01

Part No	Description	Remark	QTY KIT
506 55 06-01	PLUG		2
506 55 07-01	INSULATING WASHER		2
506 55 08-05	STARTKABEL BATT-JORD		1
506 55 08-06	STARTKABEL BATT-RELÄ		2
506 55 08-06	STARTKABEL BATT-RELÄ		1
506 55 86-01	RELAY		1
506 59 95-01	BUTTON		1
506 59 96-01	GUMMISTROPP		1
506 78 88-01	BATTERY		1
506 80 99-01	BATTERY COVER		1
506 83 43-01	SPRING		2
506 83 68-02	BELT		1
506 90 93-01	PLATE SPRING		1
506 90 94-01	BRACKET		1
506 90 95-01	SWITCH ATTACHMENT SE		1
506 90 96-01	SWITCH		1
506 90 97-01	SPRING WASHER		1
506 90 98-01	SPRING		1
506 90 99-01	SPACING TUBE		1
506 91 56-01	PROTECTION		1
506 91 71-03	IGNITION LOCK		1
506 91 73-01	NUT		1
506 91 74-01	KEY		1
535 44 11-01	BATTERY MAT		1
535 44 15-02	WIRING		1
535 46 91-01	SWITCH		1
535 46 91-01	SWITCH		1
722 78 39-02	BLIND RIVET		2
725 23 29-51	SCREW		2
725 23 70-71	SCREW EHHM		2
725 24 59-51	SCREW EHHM		1
725 52 28-01	SCREW IHSCM		2
725 52 28-01	SCREW IHSCM		2
731 23 10-01	HEXAGON NUT		2
731 23 10-01	HEXAGON NUT		2
731 23 14-01	HEXAGON NUT		2
731 23 16-01	HEXAGON NUT		2
734 11 24-01	WASHER		2
734 11 24-01	WASHER		2
734 11 46-01	WASHER		3
734 11 64-01	WASHER		1

S

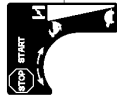
Warning
506 94 40-01



535 43 20-01



506 84 28-01



506 84 28-03



506 58 45-01



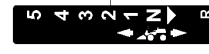
535 45 00-01



506 91 57-01



506 91 57-02



535 44 98-01



535 44 99-01



535 45 01-01 (x2)



535 44 93-01



535 44 93-02

xxx xx xx-xx = New part,
Neues teil,
Nouvelle piece,
Nueva pieza,
Ny detalj

DECALS

RIDER 11, 953519401, 2006-01

Part No	Description	Remark	QTY KIT
506 58 45-01	LABEL		1
506 84 28-01	DECAL		1
506 84 28-03	DECAL		1
506 91 57-01	DECAL		1
506 91 57-02	DECAL		1
506 94 40-01	DECAL	WARNING	1
506 96 13-01	DECAL		1
535 43 20-01	DECAL		1
535 44 93-01	STRIPES MOTORKÁPA V.		1
535 44 93-02	STRIPES MOTORKÁPA H.		1
535 44 98-01	DECAL		1
535 44 99-01	DECAL		1
535 45 00-01	DECAL		1
535 45 01-01	DECAL		2