

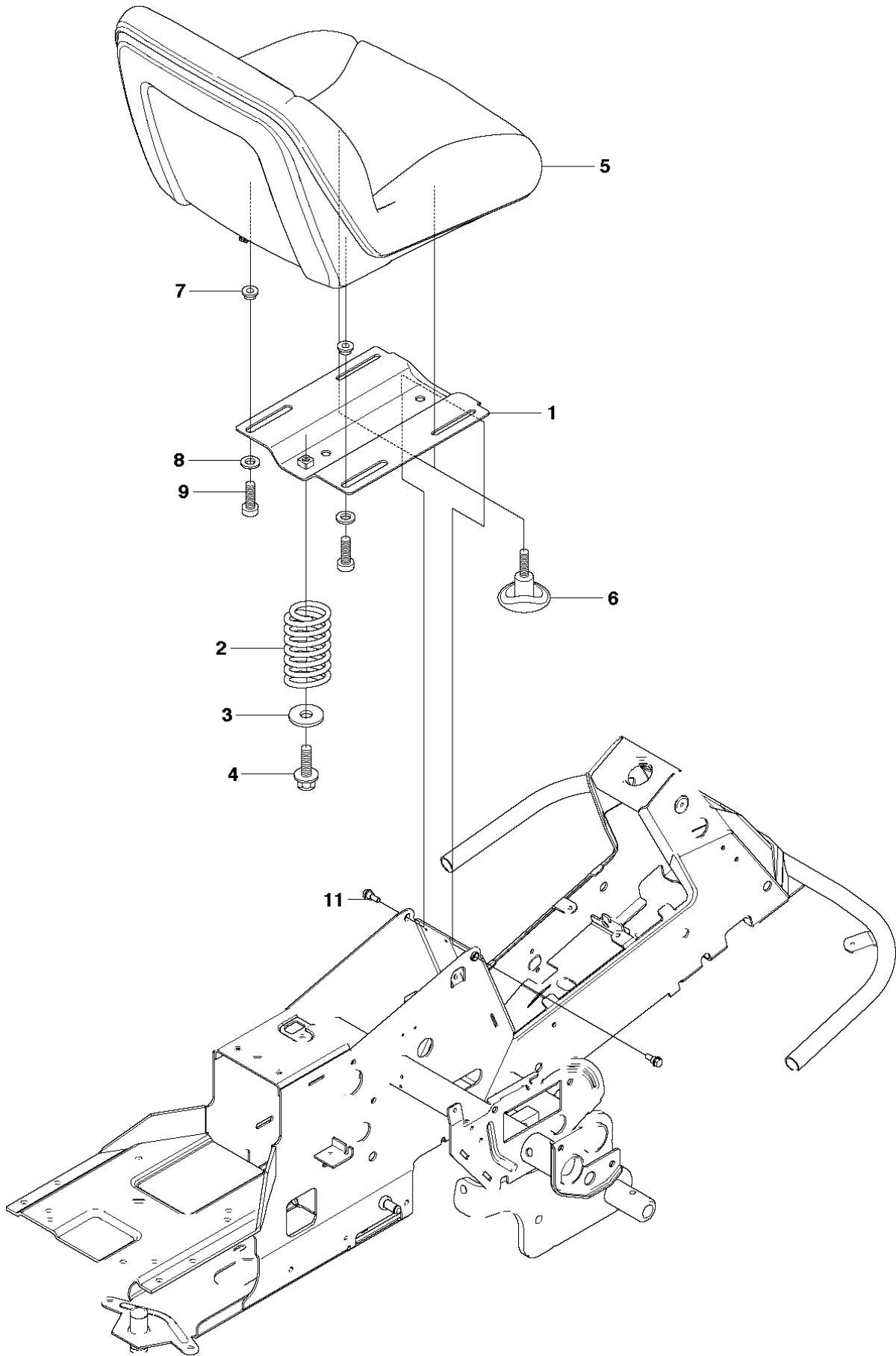


# SPARE PARTS LIST

RIDERS

RIDER 13 C, 965094301, 2010-07

R13C, R16C  
SEAT

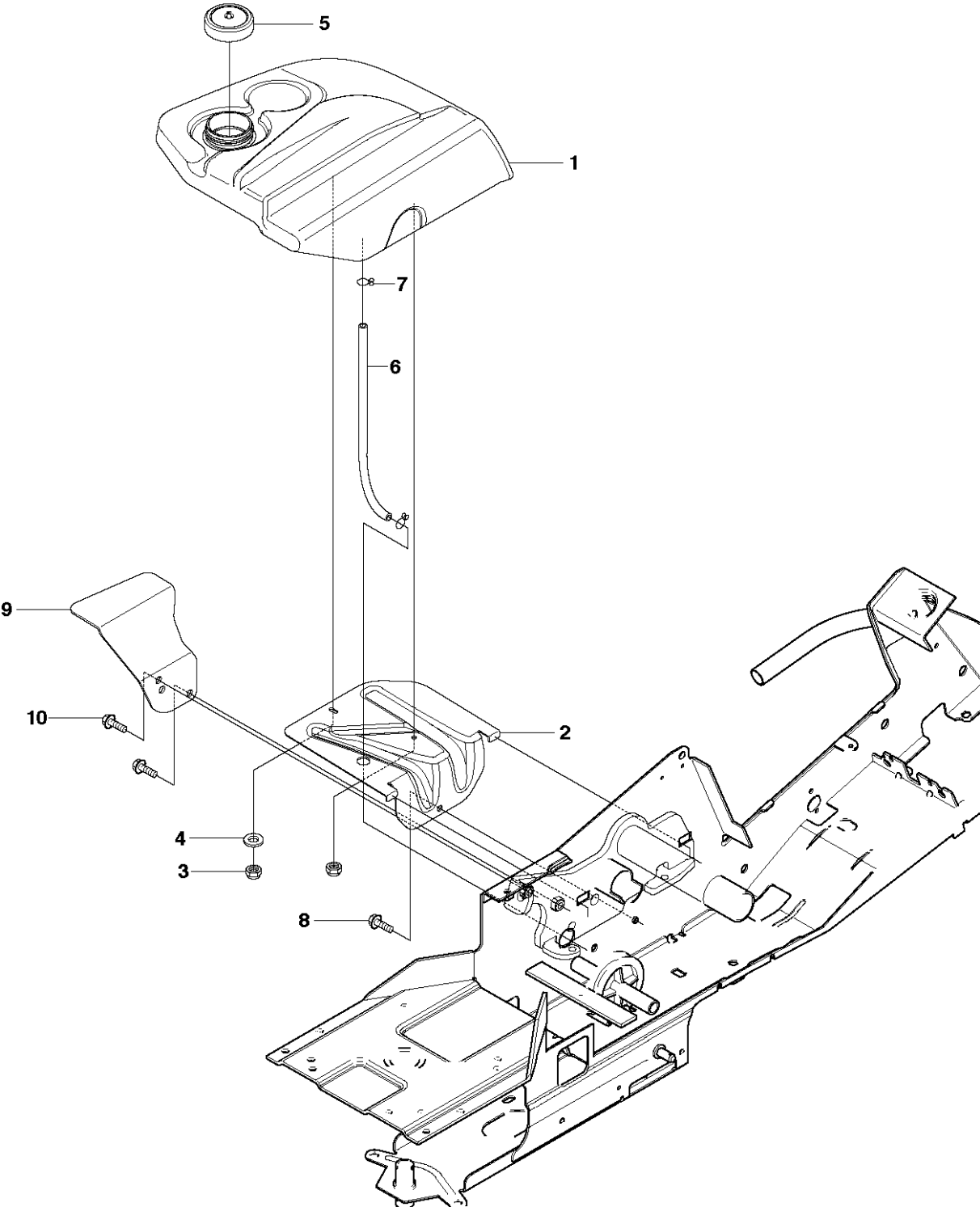


## SEAT

RIDER 13 C, 965094301, 2010-07

Ref	Part No	Description	Remark	QTY KIT
1	573 99 50-03	SEAT BRACKET		1
2	506 91 53-01	COMPRESSION SPRING		1
3	734 11 74-41	WASHER		1
4	725 24 93-71	SCREW EHHM		1
5	544 43 33-01	SEAT		1
6	506 56 55-01	JUSTERVRED		2
7	506 56 53-01	BUSHING		2
8	734 11 64-41	WASHER		2
9	506 55 63-01	SCREW UNC		2
11	506 59 74-01	SCREW EHHFM		1

R13C, R16C  
FUEL SYSTEM

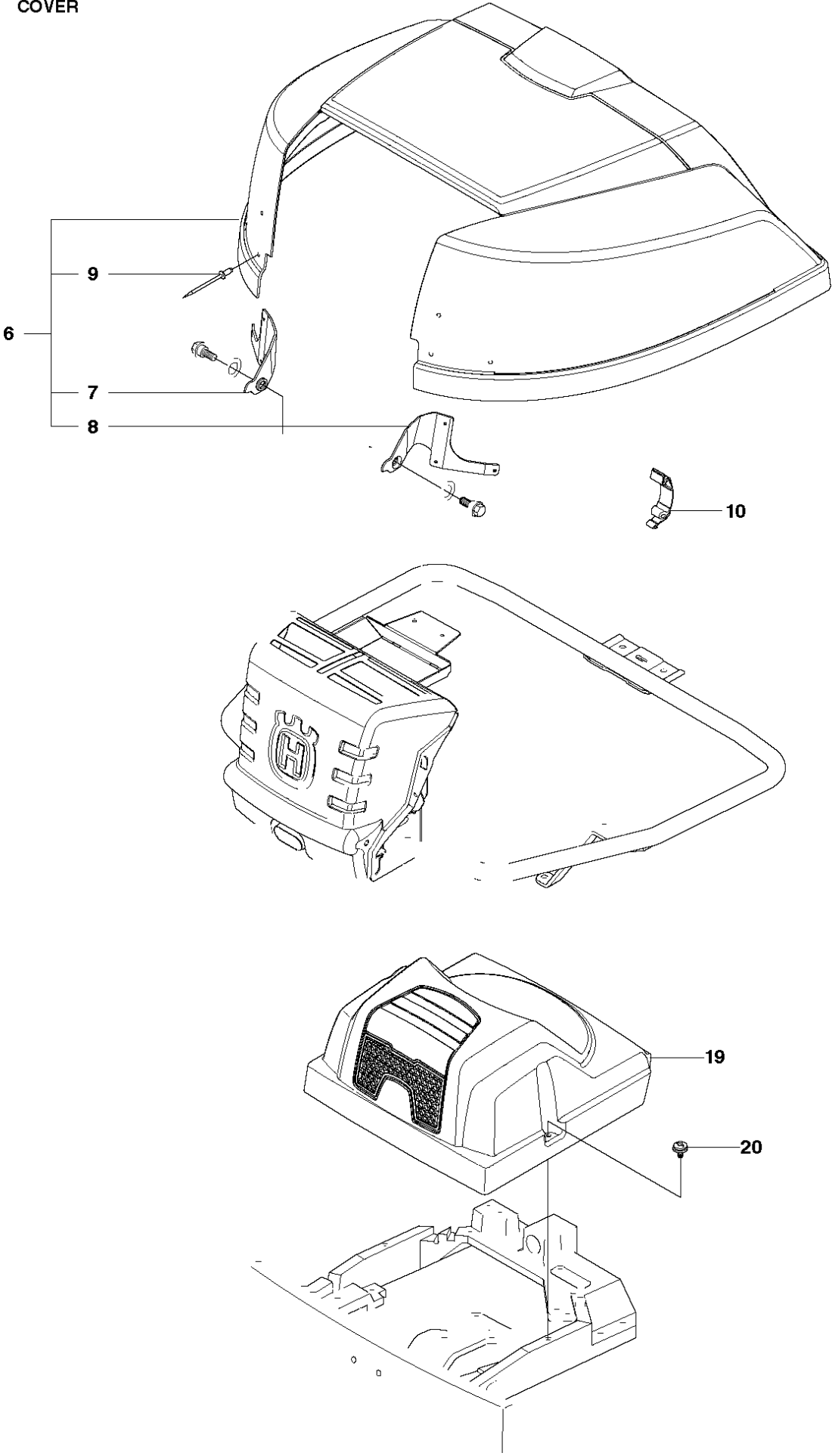


## FUEL SYSTEM

RIDER 13 C, 965094301, 2010-07

Ref	Part No	Description	Remark	QTY KIT
1	535 50 13-01	FUEL TANK		1
2	544 32 93-01	BRACKET		1
3	732 21 16-01	LOCK NUT		2
4	734 11 56-01	WASHER		1
5	506 67 33-01	TANK CAP ASSY		1
6	504 80 00-07	FUEL HOSE		1
7	535 46 97-01	HOSE BRACE		2
8	725 23 64-61	SCREW EHHFT		1
9	501 02 03-01	SUPPORT		1
10	725 24 93-71	SCREW EHHM		2

R13C, R16C  
COVER

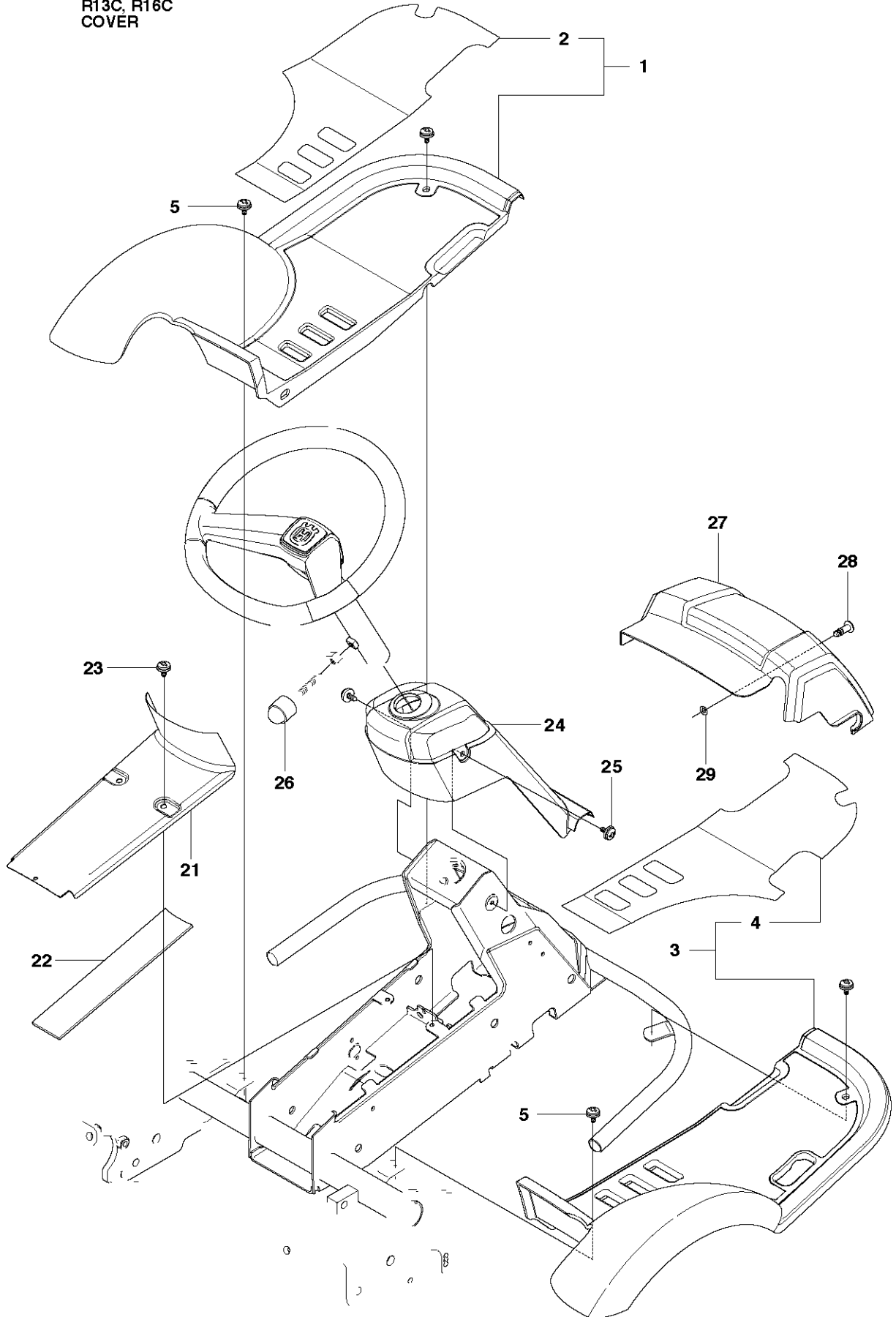


## COVER

RIDER 13 C, 965094301, 2010-07

Ref	Part No	Description	Remark	QTY	KIT
6	544 24 76-02	ENGINE HOOD ASSY		1	
7	544 24 77-01	HINGE		1	6
8	544 24 77-02	HINGE		1	6
9	722 79 54-02	RIVET		6	6
10	503 89 47-03	SNAP LOCKING		1	
19	574 85 61-01	COVER		1	
20	544 40 05-01	SCREW		2	

R13C, R16C  
COVER



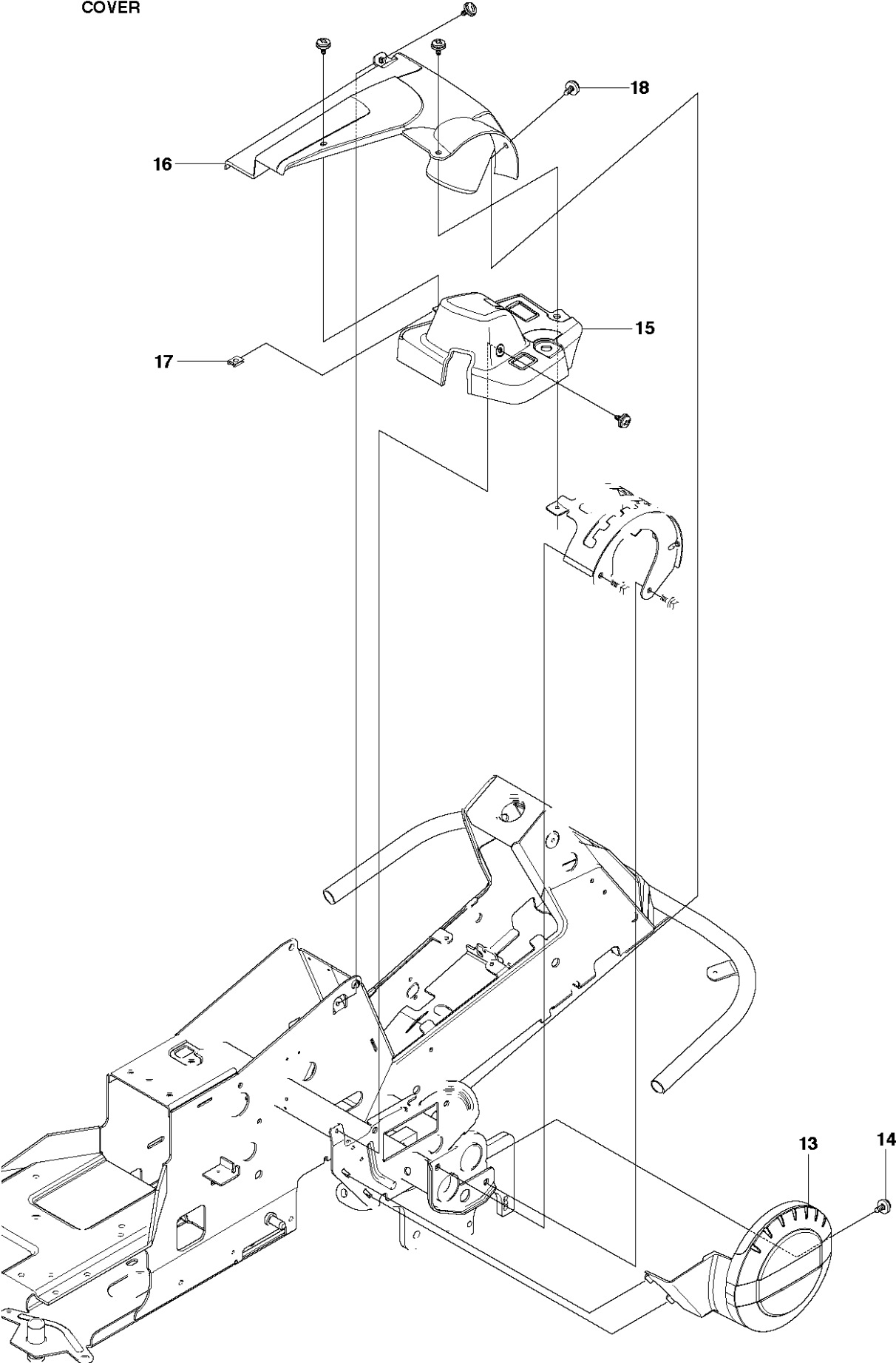


## COVER

RIDER 13 C, 965094301, 2010-07

Ref	Part No	Description	Remark	QTY	KIT
1	544 89 59-01	FOOT PLATE		1	
2	544 24 84-01	MAT		1	1
3	544 89 59-03	FOOT PLATE		1	
4	544 24 84-03	MAT		1	3
5	544 40 05-01	SCREW		4	
21	544 23 92-01	COVER		1	
22	544 42 75-01	MAT		1	
23	544 40 05-01	SCREW		2	
24	544 32 65-01	COVER		1	
25	544 40 05-01	SCREW		2	
26	544 43 32-01	PROTECTIVE COVER		1	
27	544 37 42-01	UNIT COVER		1	
28	525 39 06-01	LOCK		1	
29	506 96 36-01	WASHER		1	

R13C, R16C  
COVER

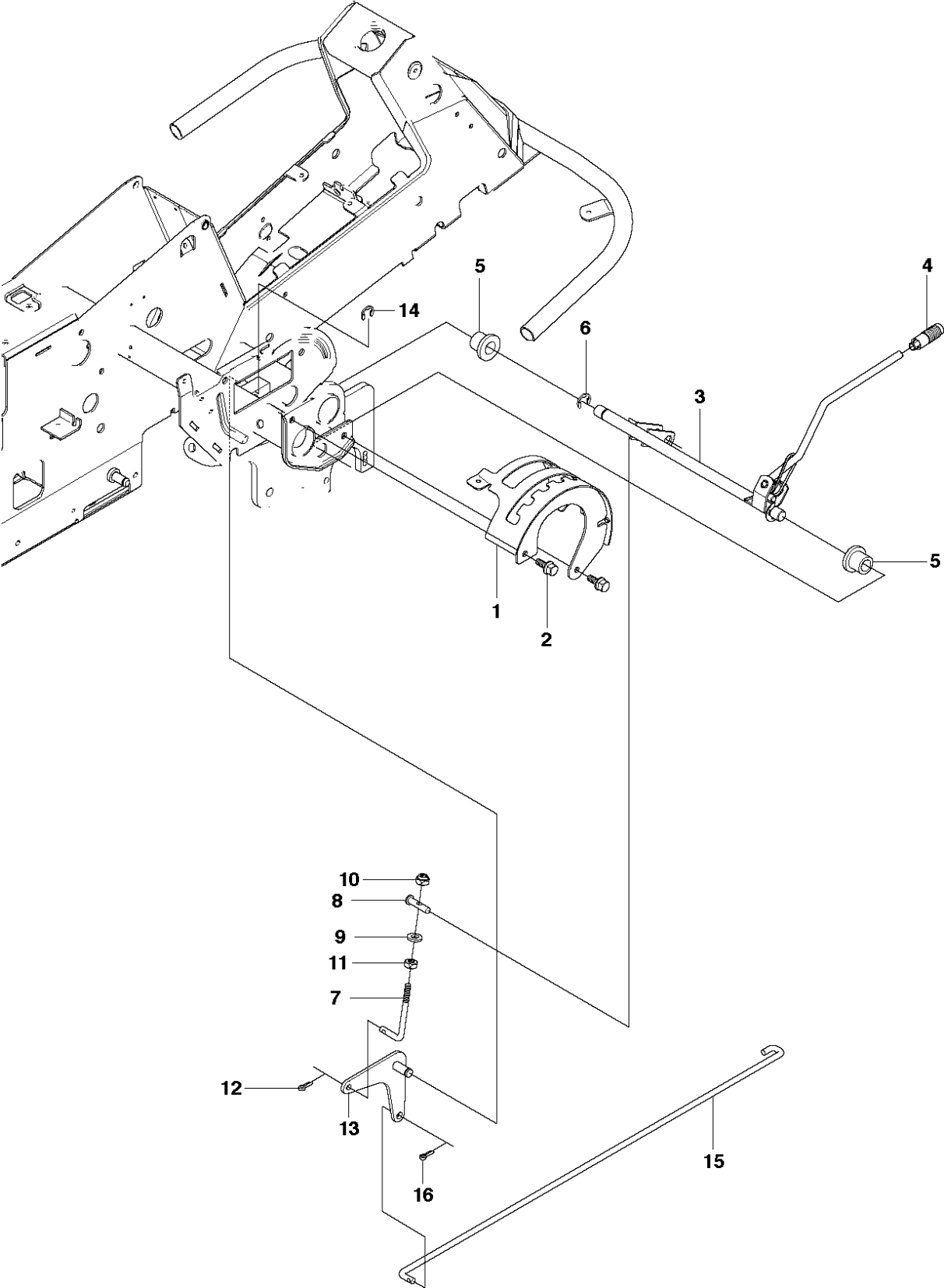


## COVER

RIDER 13 C, 965094301, 2010-07

Ref	Part No	Description	Remark	QTY KIT
13	535 50 25-01	CONTROL COVER		1
14	544 40 05-01	SCREW		1
15	544 33 21-03	CONTROL COVER		1
16	544 33 22-02	COVER		1
17	535 42 91-01	SPRING NUT		1
18	544 40 05-01	SCREW		4

R13C, R16C  
HEIGHT ADJUSTMENT

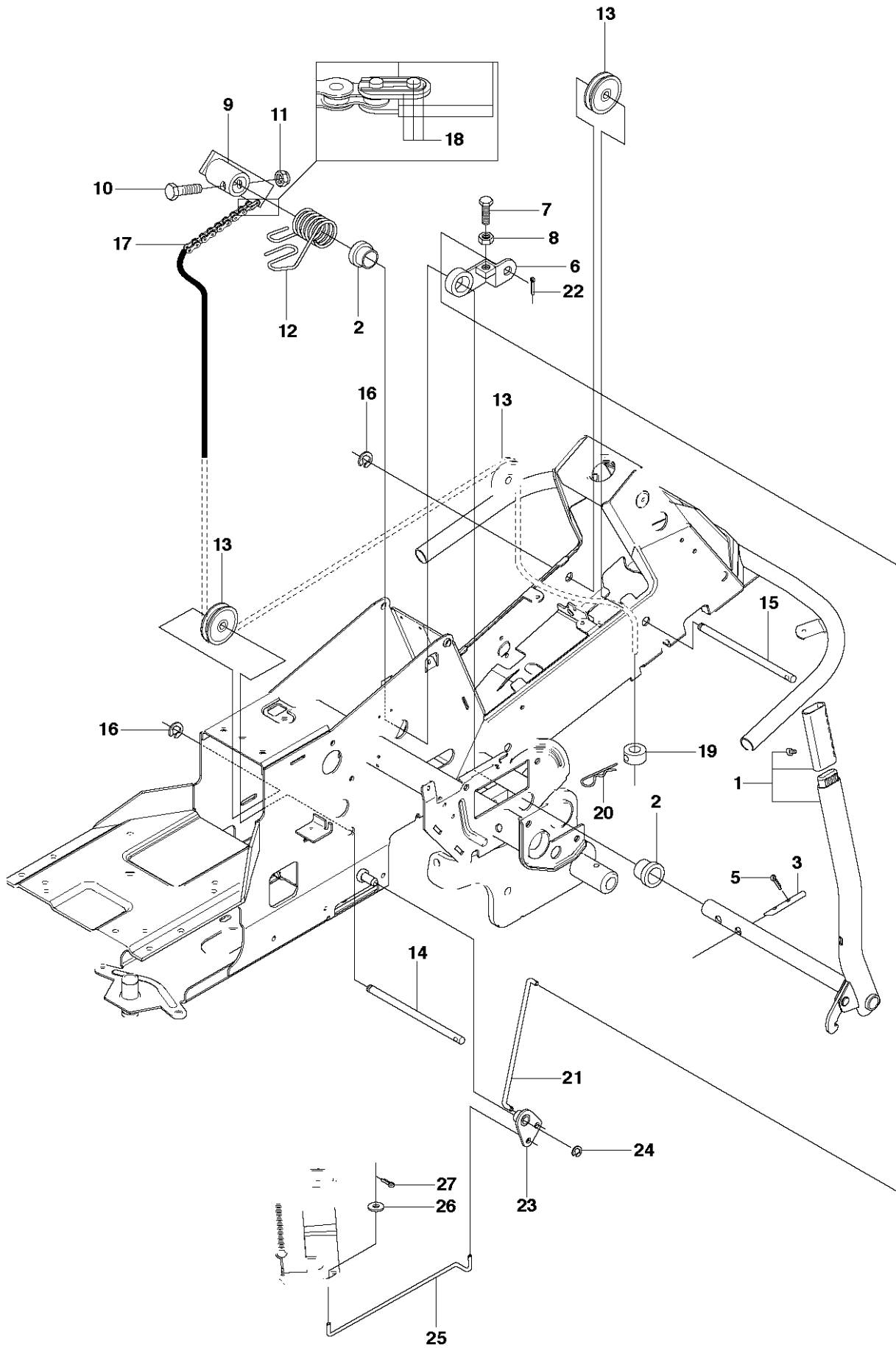


## HEIGHT ADJUSTMENT

RIDER 13 C, 965094301, 2010-07

Ref	Part No	Description	Remark	QTY KIT
1	535 50 14-01	CONTROL PLATE		1
2	506 57 01-03	SCREW EHHFM		2
3	504 73 45-01	ADJUSTER		1
4	506 54 20-01	HANDLE		1
5	506 55 43-01	BEARING		2
6	735 31 22-20	E-CLIP		1
7	506 90 82-01	HEIGHT ROD		1
8	506 78 46-01	PEN		1
9	734 11 72-01	WASHER		1
10	732 21 18-01	LOCK NUT		1
11	731 23 18-01	HEXAGON NUT		1
12	721 61 83-01	SPLIT PIN		1
13	544 22 77-01	LINK		1
14	735 31 15-20	E-CLIP		1
15	544 22 70-01	CONNECTION ROD		1
16	721 61 83-01	SPLIT PIN		1

R13C, R16C  
MOWER LIFT

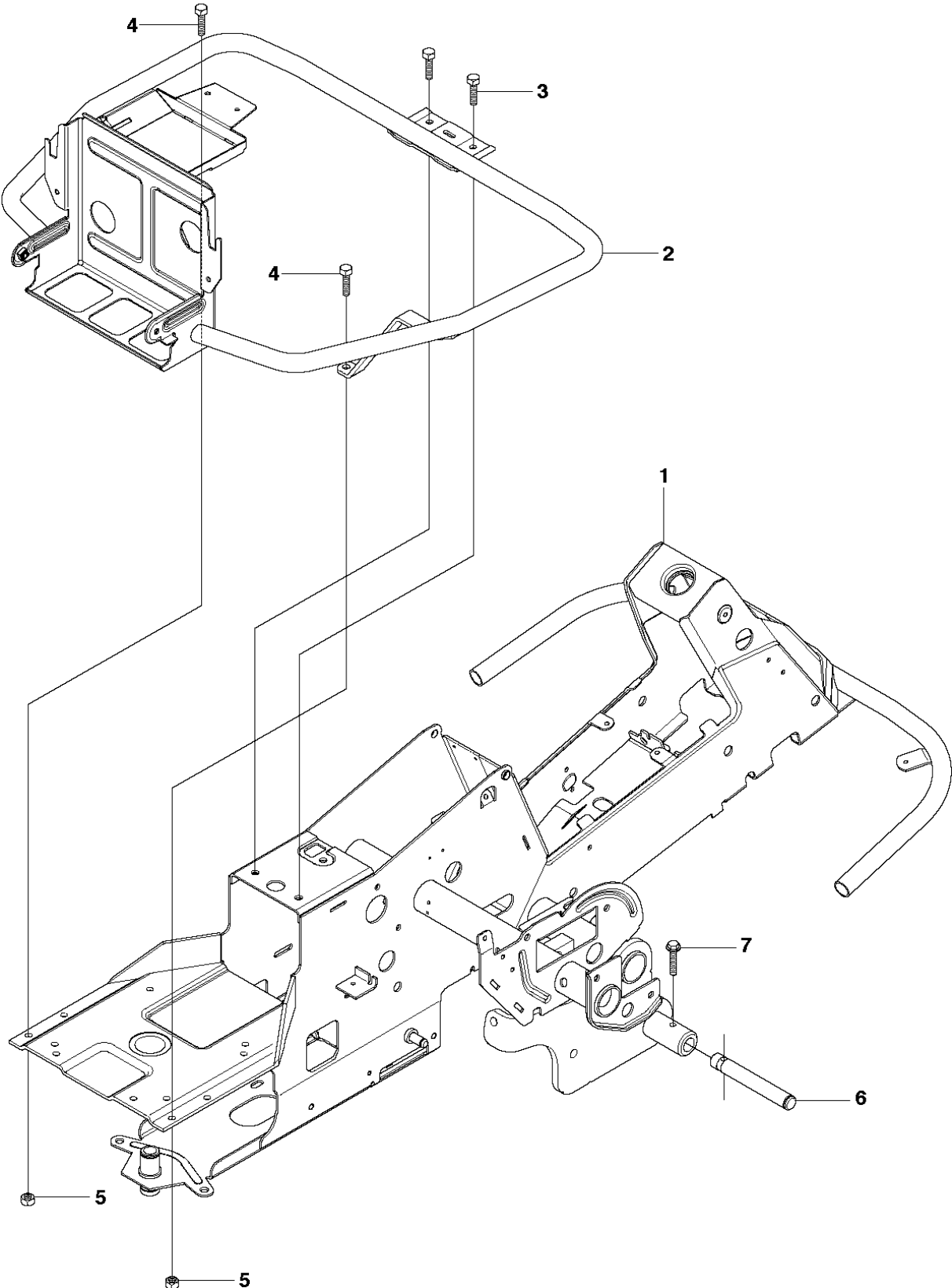


## MOWER LIFT / DECK LIFT

RIDER 13 C, 965094301, 2010-07

Ref	Part No	Description	Remark	QTY KIT
1	501 01 86-01	LIFTING LEVER ASSY		1
2	506 55 65-01	BEARING		2
3	525 40 66-01	PEN		1
5	721 61 83-01	SPLIT PIN		1
6	506 78 43-01	LINK ASSY		1
7	725 24 97-51	SCREW		1
8	731 23 20-51	HEXAGON NUT		1
9	544 43 36-01	LIFTING ARM		1
10	725 25 42-51	SCREW EHHM		1
11	732 25 22-01	HEXAGON LOCKING NUT		1
12	506 91 68-01	SPRING		1
13	506 90 56-01	OFFSET PULLEY		2
14	506 90 57-01	SHAFT		1
15	506 90 57-02	SHAFT		1
16	735 31 18-20	E-CLIP		2
17	506 55 46-07	CHAIN		1
18	506 55 47-01	LINKAGE		1
19	544 93 42-01	CHAIN STOP		1
20	506 96 66-01	HAIR PIN COTTER		1
21	544 45 69-01	CONNECTION ROD		1
22	721 61 83-01	SPLIT PIN		1
23	544 37 86-01	LINK		1
24	735 31 14-20	E-CLIP		1
25	544 44 88-01	CONNECTION ROD		1
26	734 11 64-41	WASHER		1
27	721 61 83-01	SPLIT PIN		1

R13C, R16C  
CHASSIS



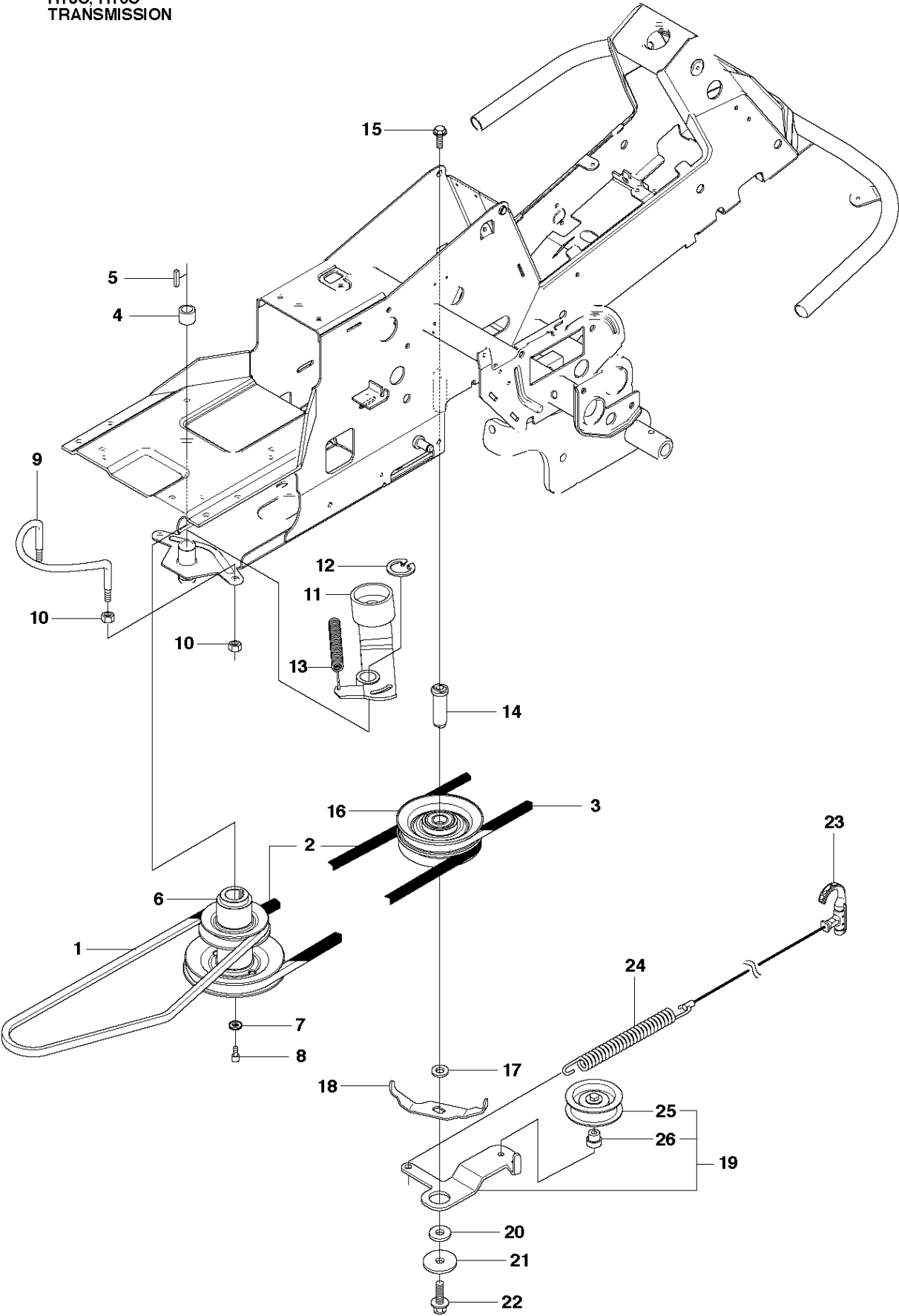


## CHASSIS / FRAME

RIDER 13 C, 965094301, 2010-07

Ref	Part No	Description	Remark	QTY KIT
1	544 84 23-01	FRAME		1
2	544 24 45-02	ENGINE FRAME		1
3	506 57 01-03	SCREW EHHFM		2
4	725 24 51-71	SCREW EHHM		2
5	732 21 18-01	LOCK NUT		2
6	535 47 08-01	WHEEL AXLE		2
7	725 24 59-61	SCREW EHHFT		2

R13C, R16C  
TRANSMISSION

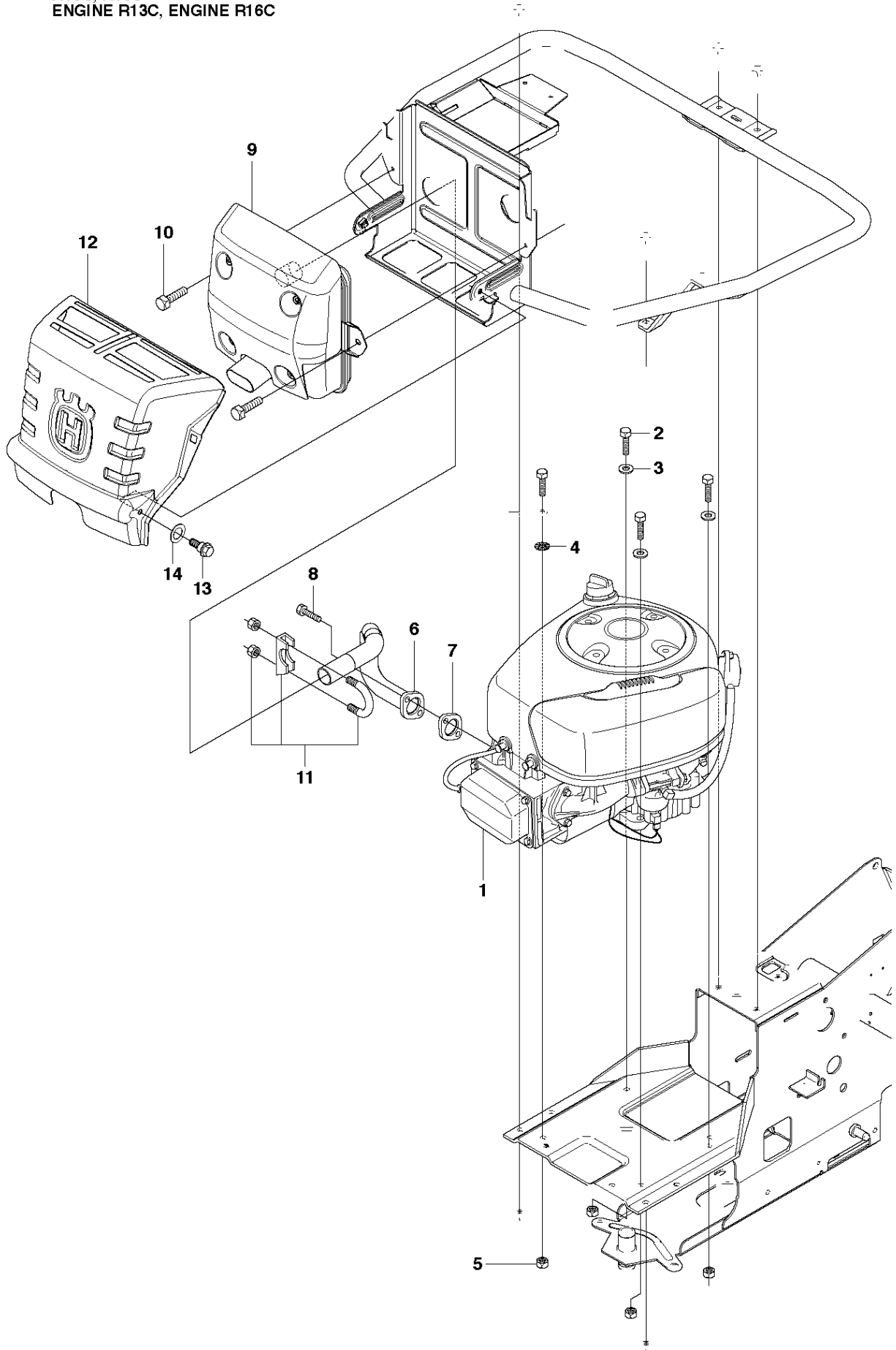


## TRANSMISSION

RIDER 13 C, 965094301, 2010-07

Ref	Part No	Description	Remark	QTY	KIT
1	589 53 12-01	BELT		1	
2	589 53 04-01	BELT		1	
3	589 53 00-01	BELT		1	
4	506 50 92-01	SPACING SLEEVE		1	
5	506 55 59-01	WEDGE		1	
6	535 48 24-01	PULLEY		1	
7	506 59 75-01	WASHER		1	
8	506 55 60-02	SCREW UNC		1	
9	506 66 45-01	BELT GUIDE		1	
10	731 23 20-51	HEXAGON NUT		4	
11	535 48 44-01	BELT TENSIONER ASSY		1	
12	735 31 26-00	CIRCLIP		1	
13	506 66 56-01	SPRING		1	
14	544 42 61-01	SHAFT		1	
15	506 67 54-02	SCREW EHHFM		1	
16	535 48 22-01	PULLEY		1	
17	506 77 57-01	WASHER		1	
18	544 40 53-01	BELT GUIDE		1	
19	544 22 81-01	BELT TENSIONER ASSY		1	
20	506 59 75-01	WASHER		1	
21	506 98 25-01	WASHER		1	
22	506 57 01-05	SCREW EHHFM		1	
23	544 23 95-01	HANDLE ASSY		1	
24	544 23 88-01	SPRING		1	
25	506 79 32-02	BELT TENSIONER WHEEL		1	19
26	506 97 64-01	BUSHING		1	19

R13C, R16C  
ENGINE R13C, ENGINE R16C

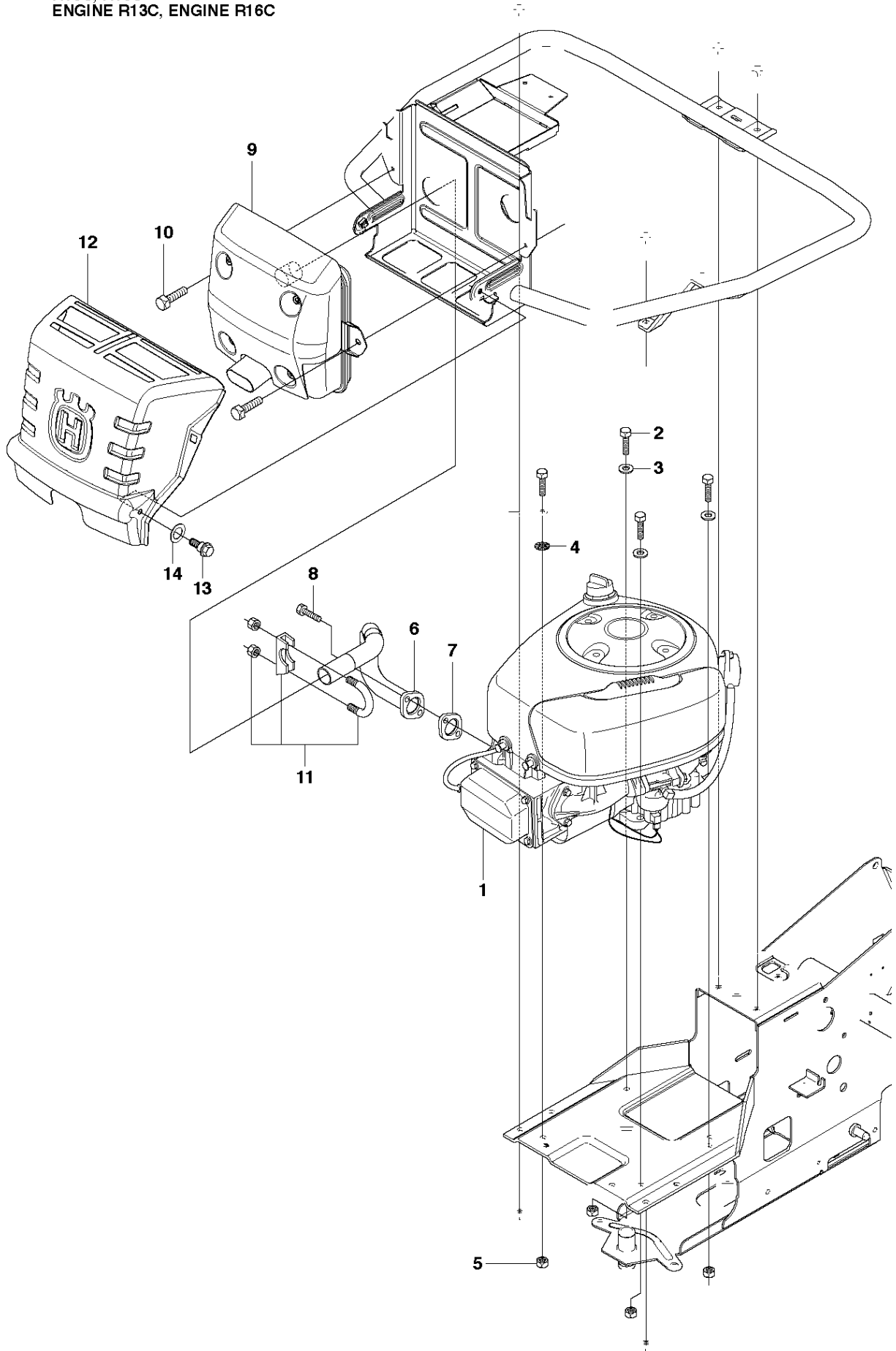


## ENGINE

RIDER 13 C, 965094301, 2010-07

Ref	Part No	Description	Remark	QTY KIT
1	535 49 49-01	ENGINE		1
2	725 24 57-51	SCREW		4
3	734 11 64-01	WASHER		3
4	735 21 64-00	LOCKWASHER		1
5	732 21 18-01	LOCK NUT		4
6	535 50 06-01	EXHAUST PIPE ASSY		1
7	506 91 45-01	GASKET		1
8	506 55 63-01	SCREW UNC		2
9	544 33 57-01	MUFFLER ASSY		1
10	725 23 64-61	SCREW EHHFT		2
11	506 66 84-01	CLAMP ASSY		1
12	544 24 83-01	HEAT PROTECTOR		1
13	506 59 74-01	SCREW EHHFM		2
14	506 83 94-01	SPRING WASHER		2

R13C, R16C  
ENGINE R13C, ENGINE R16C

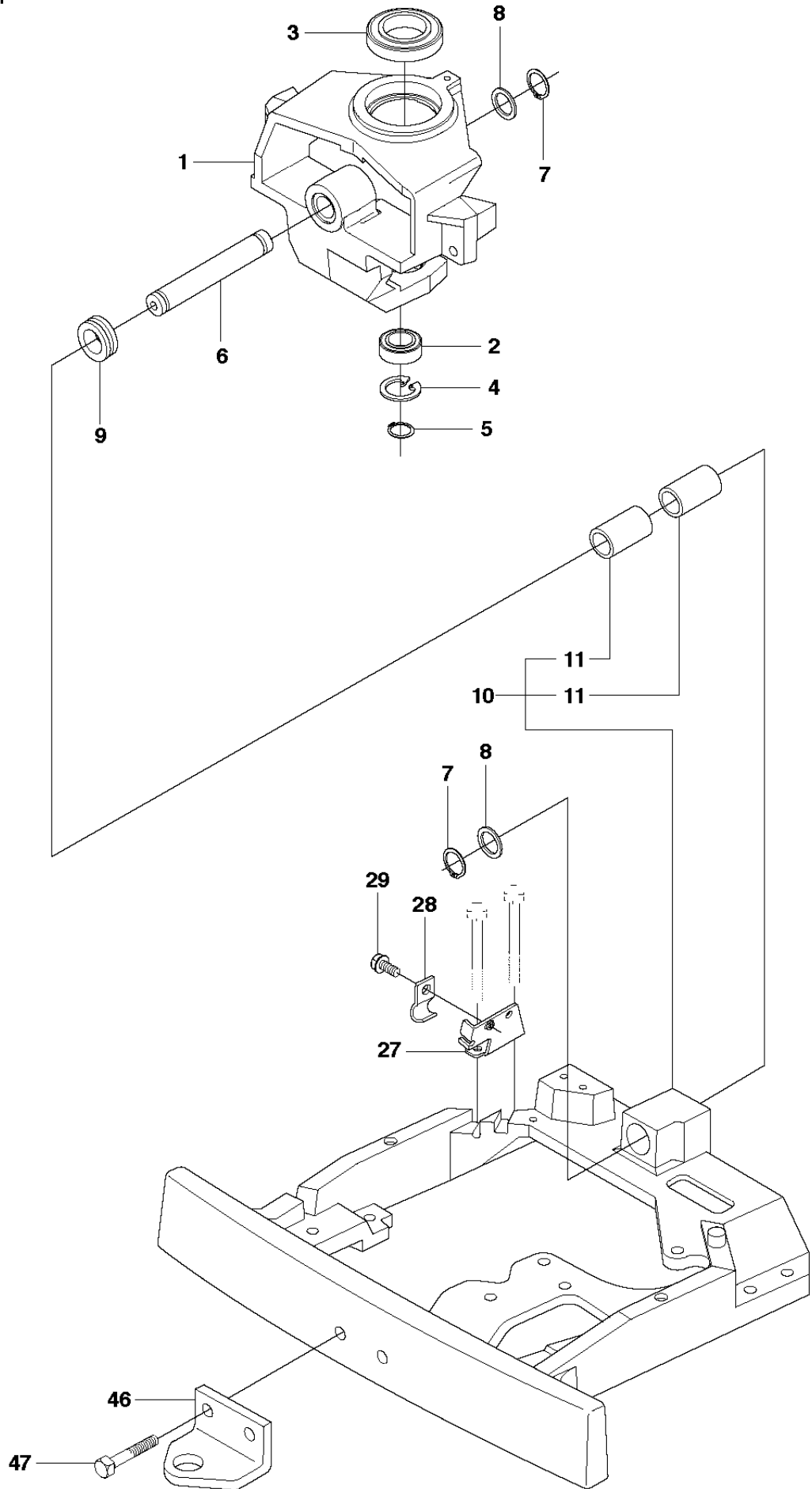


## ENGINE

RIDER 13 C, 965094301, 2010-07

Ref	Part No	Description	Remark	QTY KIT
1	544 45 28-01	ENGINE		1
2	725 24 57-51	SCREW		4
3	734 11 64-01	WASHER		3
4	735 21 64-00	LOCKWASHER		1
5	732 21 18-01	LOCK NUT		4
6	535 50 06-02	EXHAUST PIPE ASSY		1
7	506 91 45-01	GASKET		1
8	506 55 63-01	SCREW UNC		2
9	544 33 57-01	MUFFLER ASSY		1
10	725 23 64-61	SCREW EHHFT		2
11	506 66 84-01	CLAMP ASSY		1
12	544 24 83-01	HEAT PROTECTOR		1
13	506 59 74-01	SCREW EHHFM		2
14	506 83 94-01	SPRING WASHER		2

R13C, R16C  
CHASSIS, REAR

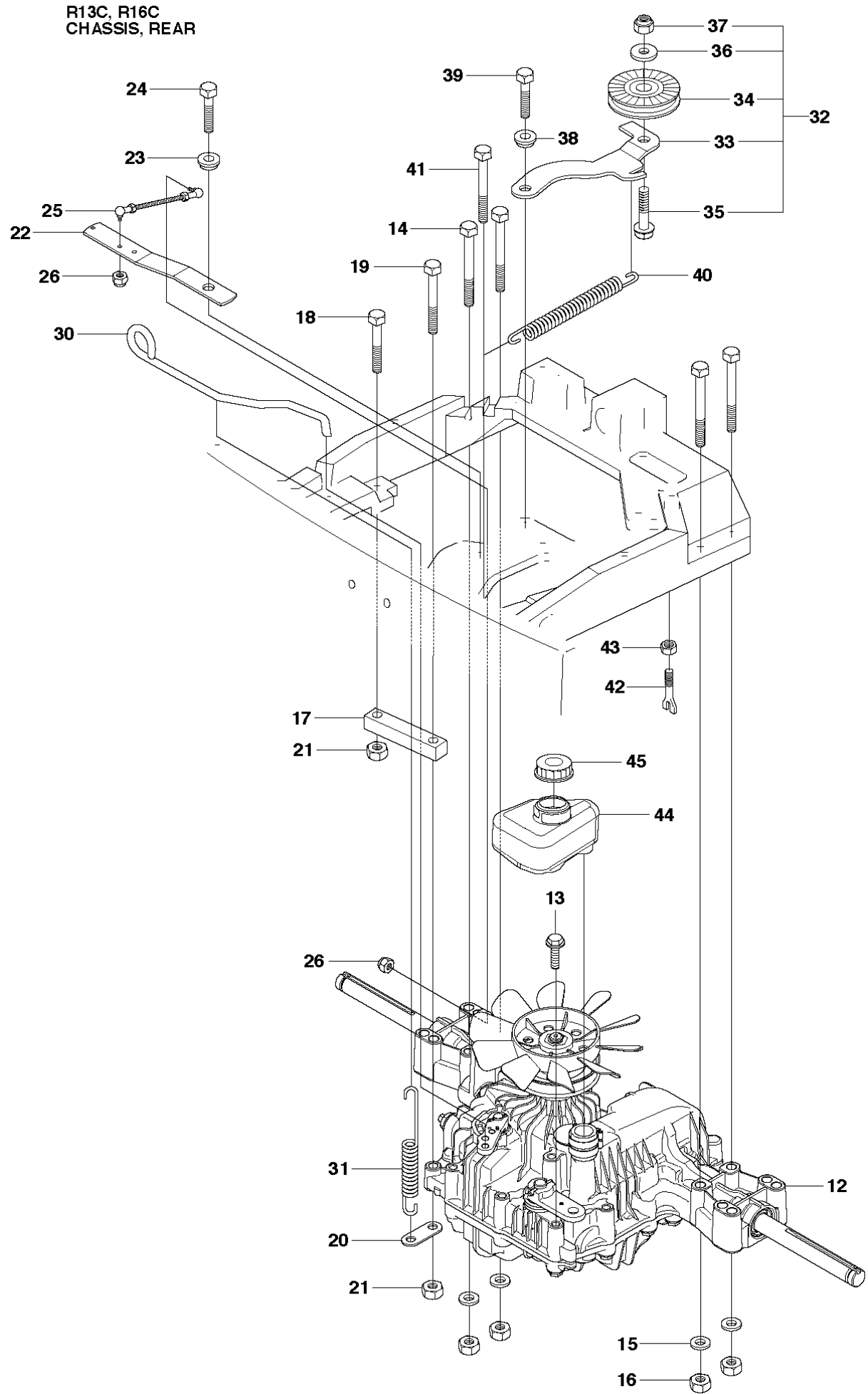




## CHASSIS REAR

RIDER 13 C, 965094301, 2010-07

Ref	Part No	Description	Remark	QTY	KIT
1	506 98 58-03	SPINDLE		1	
2	738 21 05-04	BALL BEARING		1	
3	738 21 10-04	BALL BEARING		1	
4	735 31 40-10	CIRCLIP		1	
5	735 31 26-00	CIRCLIP		1	
6	506 98 59-01	SWING AXLE		1	
7	735 31 26-00	CIRCLIP		2	
8	506 77 34-01	WASHER		2	
9	740 68 14-21	V-RING		1	
10	535 40 60-01	BRACKET		1	
11	506 98 61-02	GLIDLAGER		2	10
27	506 98 77-01	BRACKET		1	
28	506 56 65-01	CLIP		1	
29	725 23 64-61	SCREW EHHFT		1	
46	506 88 99-01	HITCH		1	
47	725 24 93-71	SCREW EHHM		1	

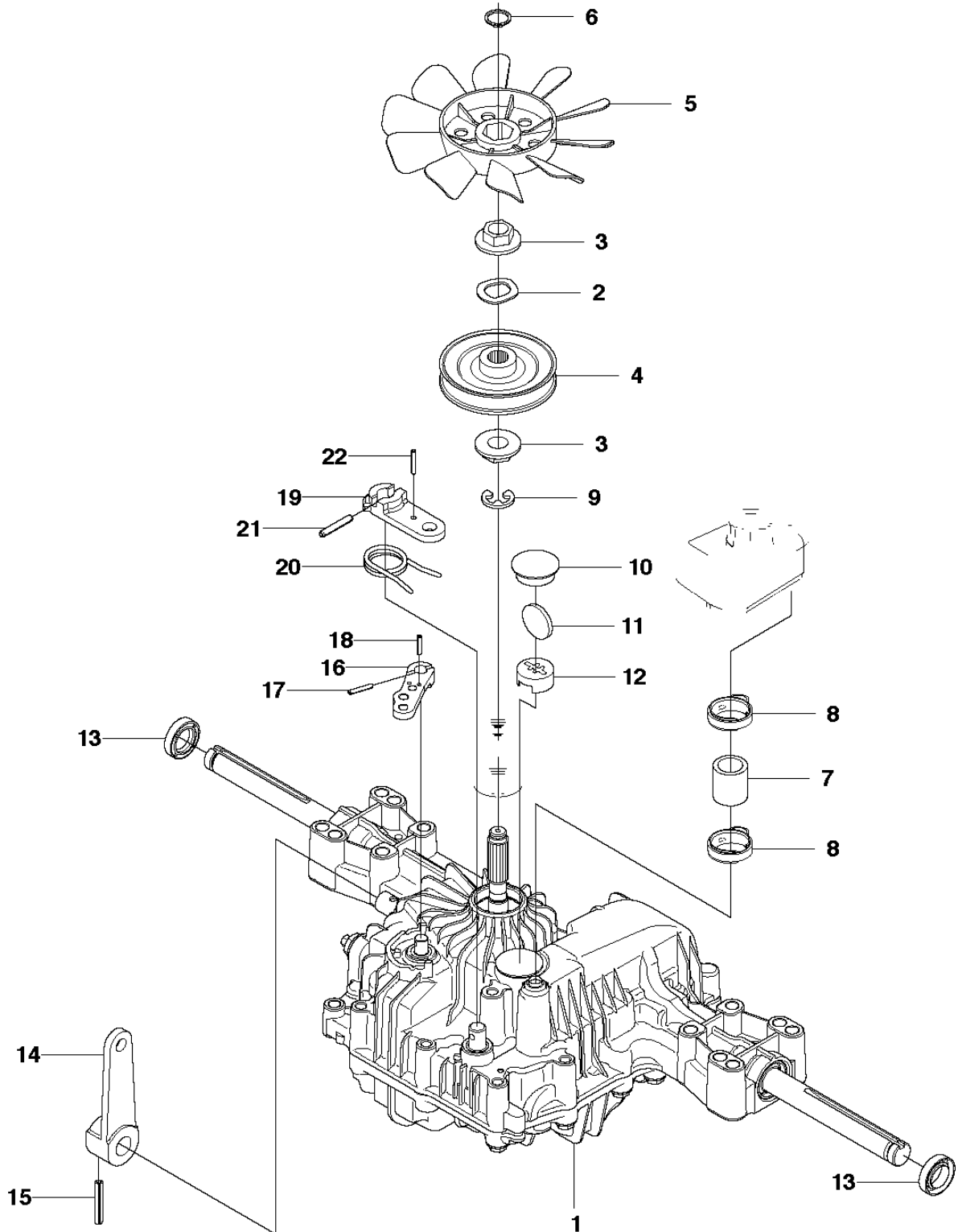


## CHASSIS REAR

RIDER 13 C, 965094301, 2010-07

Ref	Part No	Description	Remark	QTY	KIT
12	506 98 63-01	TRANSMISSION		1	
13	506 55 83-02	SCREW EHHFT		1	
14	725 24 67-51	SCREW EHHM		4	
15	734 11 64-01	WASHER		4	
16	731 23 18-01	HEXAGON NUT		4	
17	506 98 72-01	MOMENTFÄSTE		1	
18	725 24 59-51	SCREW EHHM		1	
19	725 24 62-51	SCREW EHHM		1	
20	506 59 93-01	LINK		1	
21	731 23 18-01	HEXAGON NUT		2	
22	506 98 74-03	LEVER		1	
23	506 91 87-02	WASHER		1	
24	725 24 51-51	SCREW		1	
25	506 98 75-01	ADJUSTMENT ROD		1	
26	732 21 14-01	LOCK NUT		2	
30	506 98 82-01	FRIKOPPLINGSSTÅNG		1	
31	506 83 43-01	SPRING		1	
32	506 98 84-01	BELT TENSIONER ASSY		1	
33	506 98 85-01	BELT TENSIONER		1	32
34	506 94 69-01	PULLEY		1	32
35	725 24 55-51	SCREW		1	32
36	734 11 64-41	WASHER		1	32
37	732 21 18-01	LOCK NUT		1	32
38	506 91 87-02	WASHER		1	
39	725 24 51-51	SCREW		1	
40	506 98 86-01	SPRING		1	
41	725 24 64-51	SCREW EHHM		1	
42	506 98 88-01	PENDULUM		1	
43	731 23 20-51	HEXAGON NUT		1	
44	506 98 90-01	EXPANSION TANK		1	
45	506 98 80-01	TANK CAP ASSY		1	

R13C, R16C  
HYDROSTAT K46 EU

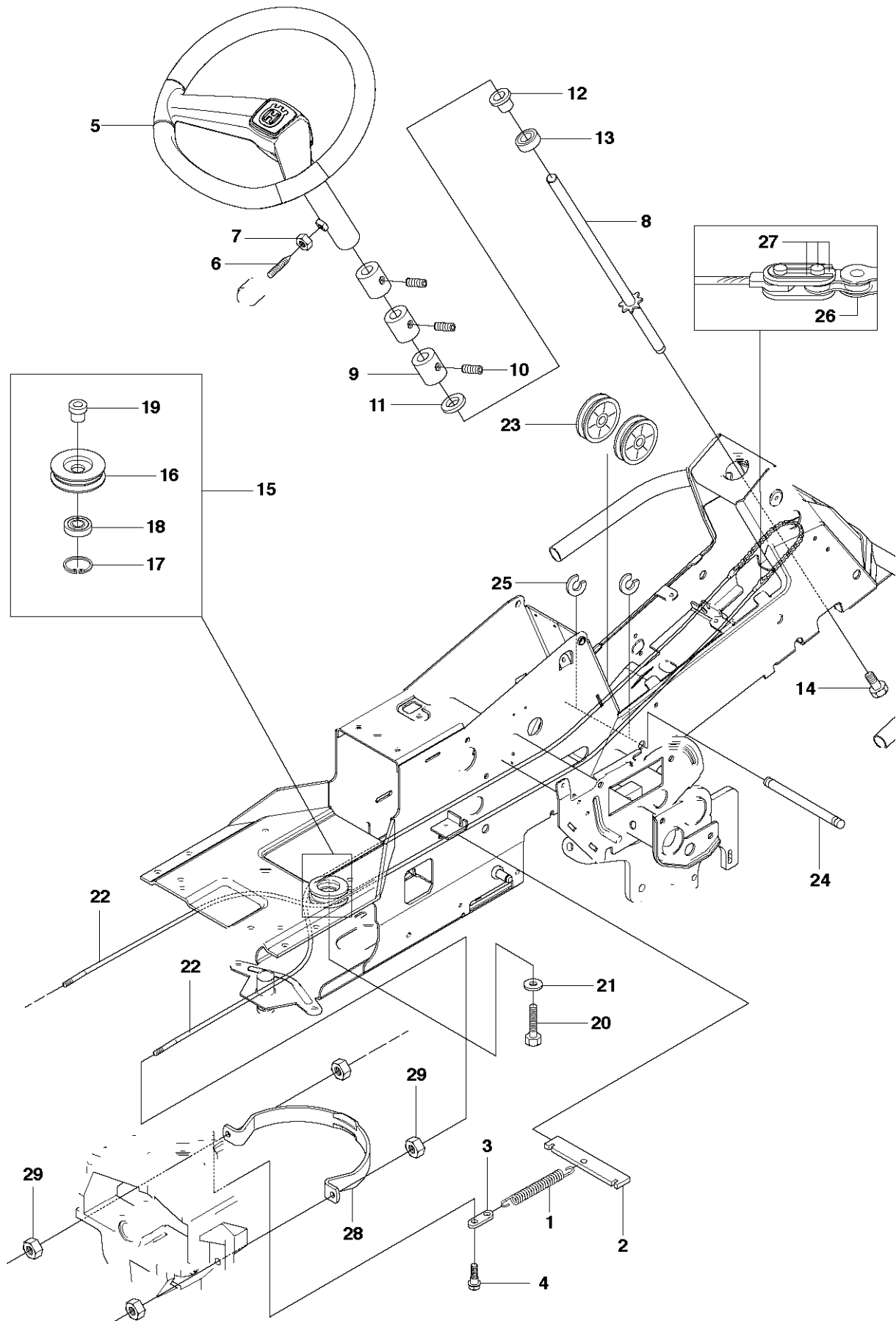


## TRANSMISSION

RIDER 13 C, 965094301, 2010-07

Ref	Part No	Description	Remark	QTY	KIT
1	506 98 63-01	TRANSMISSION		1	
2	506 98 65-01	SPRING WASHER		1	
3	506 98 66-01	DISTANCE		2	
4	502 45 19-01	PULLEY		1	
5	506 98 68-01	FAN		1	
6	735 31 15-00	CIRCLIP		1	
7	502 45 16-01	TUBE		1	
8	506 98 70-01	HOSE CLAMP		2	
9	535 40 28-07	CLIP		1	1
10	535 40 28-32	PLUG		1	1
11	535 40 28-29	MAGNET		1	1
12	502 45 20-01	MAGNET HOLDER		1	1
13	535 40 28-37	SEALING		2	1
14	502 45 32-01	CONTROL LEVER		1	1
15	535 40 28-09	PIN RETAINING SCREW		1	1
16	535 40 28-17	LEVER		1	1
17	535 40 28-16	PIN RETAINING SCREW		1	1
18	535 40 28-33	PIN RETAINING SCREW		1	1
19	535 40 28-38	LEVER		1	1
20	535 40 28-39	RETURN SPRING		1	1
21	535 40 28-40	PIN RETAINING SCREW		1	1
22	535 40 28-41	PIN RETAINING SCREW		1	1

R13C, R16C  
STEERING

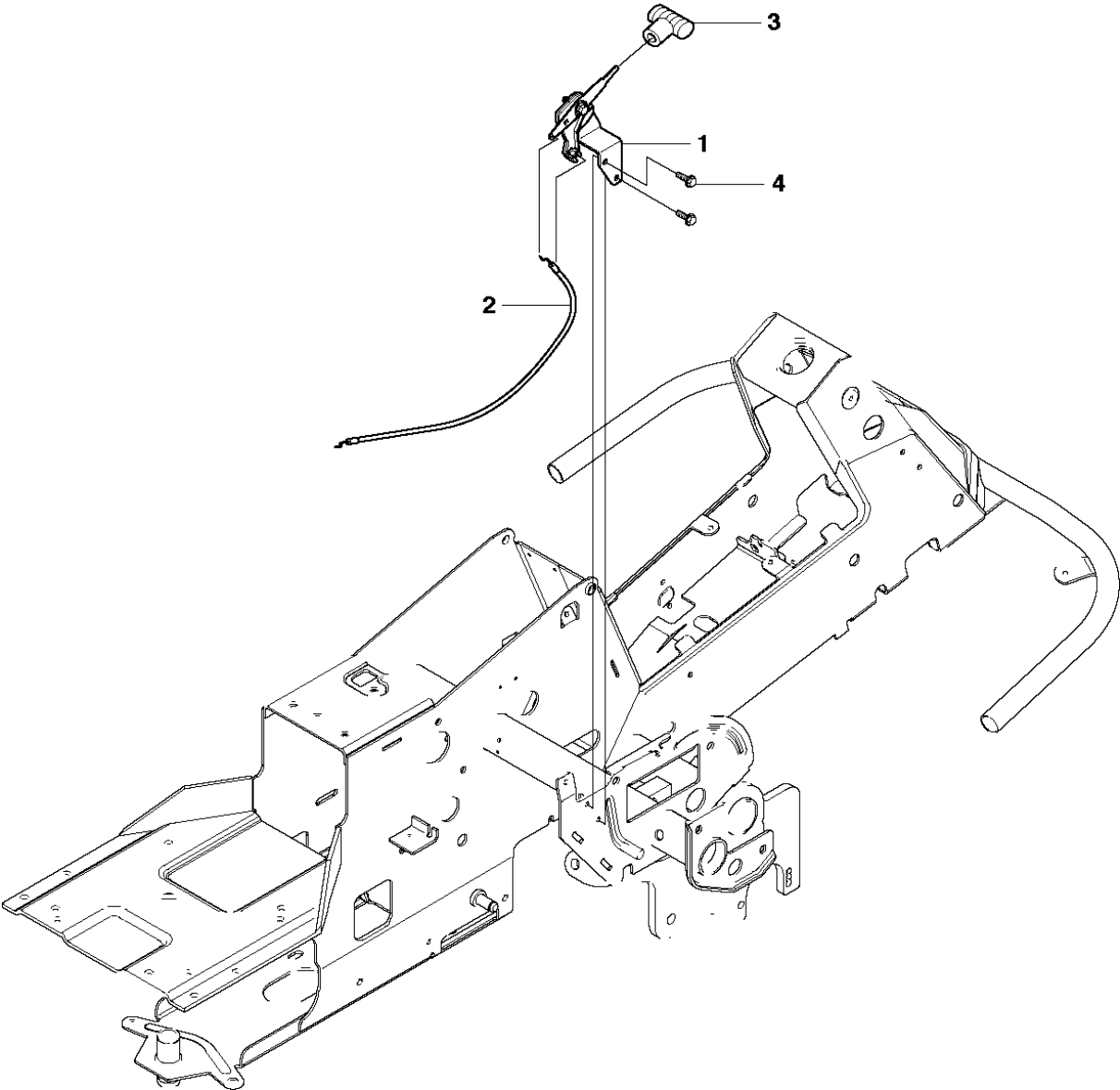


## STEERING

RIDER 13 C, 965094301, 2010-07

Ref	Part No	Description	Remark	QTY	KIT
1	506 67 19-01	SPRING		1	
2	506 57 63-01	SPRING RETAINER		1	
3	506 67 08-01	LINK		1	
4	506 59 74-01	SCREW EHHFM		1	
5	544 37 52-02	STEERING WHEEL		1	
6	728 74 55-05	SCREW IHSETM		1	
7	731 23 18-01	HEXAGON NUT		1	
8	575 63 19-01	STEERING ROD		1	
9	506 86 34-01	DRIVER		3	
10	728 84 43-05	SCREW IHSETM		3	
11	506 86 36-01	WASHER		1	
12	506 88 78-01	SPACER		1	
13	738 21 04-04	BALL BEARING		1	
14	506 57 01-04	SCREW EHHFM		1	
15	506 50 09-03	BARRING WHEEL		1	
16	535 42 41-01	BARRING WHEEL		1	15
17	735 31 40-10	CIRCLIP		1	15
18	738 22 04-19	BALL BEARING		1	15
19	506 50 08-02	BUSHING		1	15
20	506 67 54-02	SCREW EHHFM		1	
21	734 11 74-41	WASHER		1	
22	506 58 91-04	WIRE ASSY		2	
23	506 52 24-01	STARTER PULLEY		2	
24	506 53 94-03	SHAFT		1	
25	735 31 14-20	E-CLIP		2	
26	506 55 46-01	CHAIN		1	
27	506 55 47-01	LINKAGE		2	
28	544 42 73-01	WIRE GUIDE		1	
29	731 23 20-51	HEXAGON NUT		4	

R13C, R16C  
CONTROLS



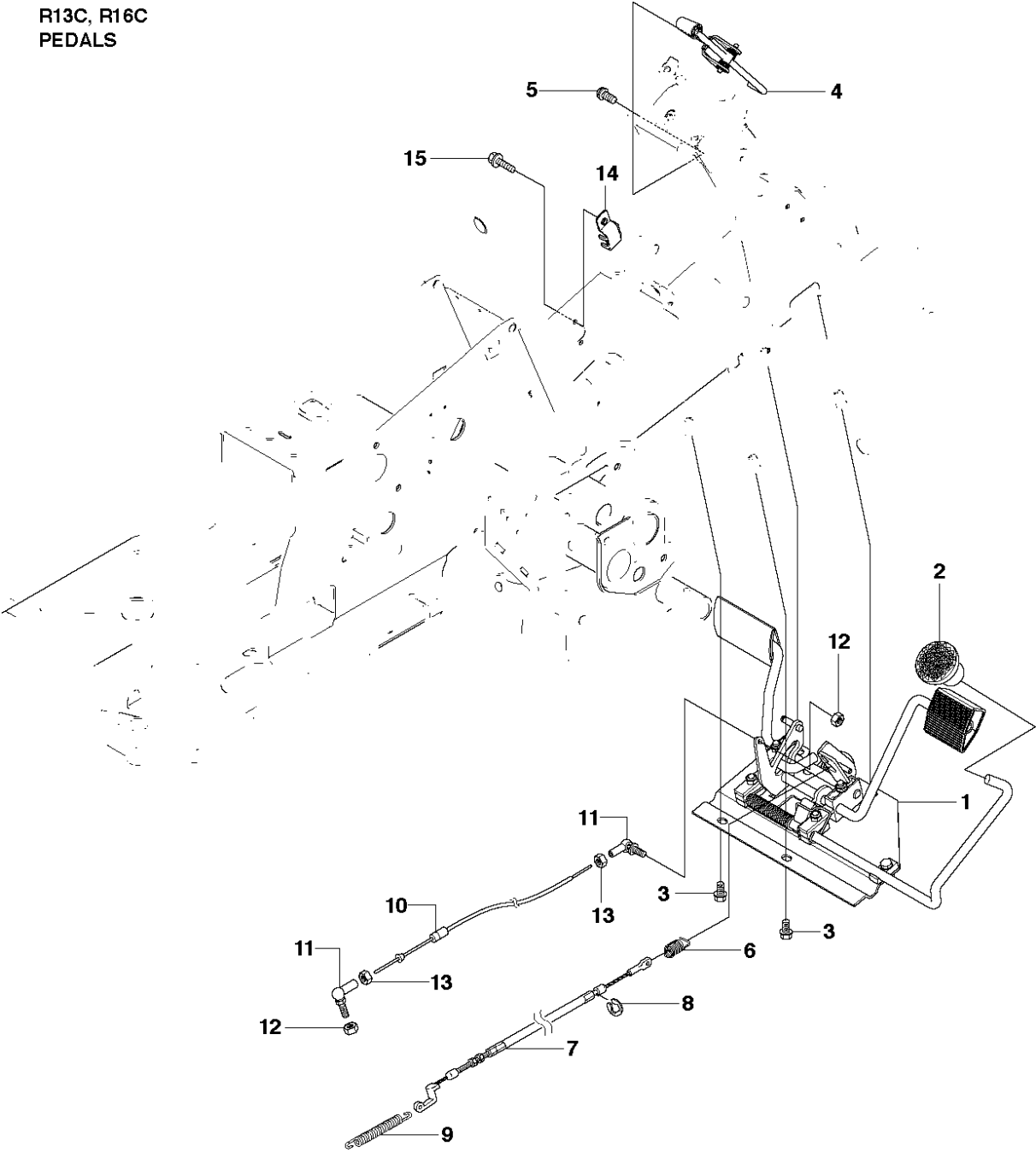


CONTROLS

RIDER 13 C, 965094301, 2010-07

Ref	Part No	Description	Remark	QTY KIT
1	544 30 15-01	THROTTLE CONTROL ASSY		1
2	544 30 17-01	WIRE		1
3	506 88 91-01	KNOB		1
4	725 23 64-61	SCREW EHHFT		2

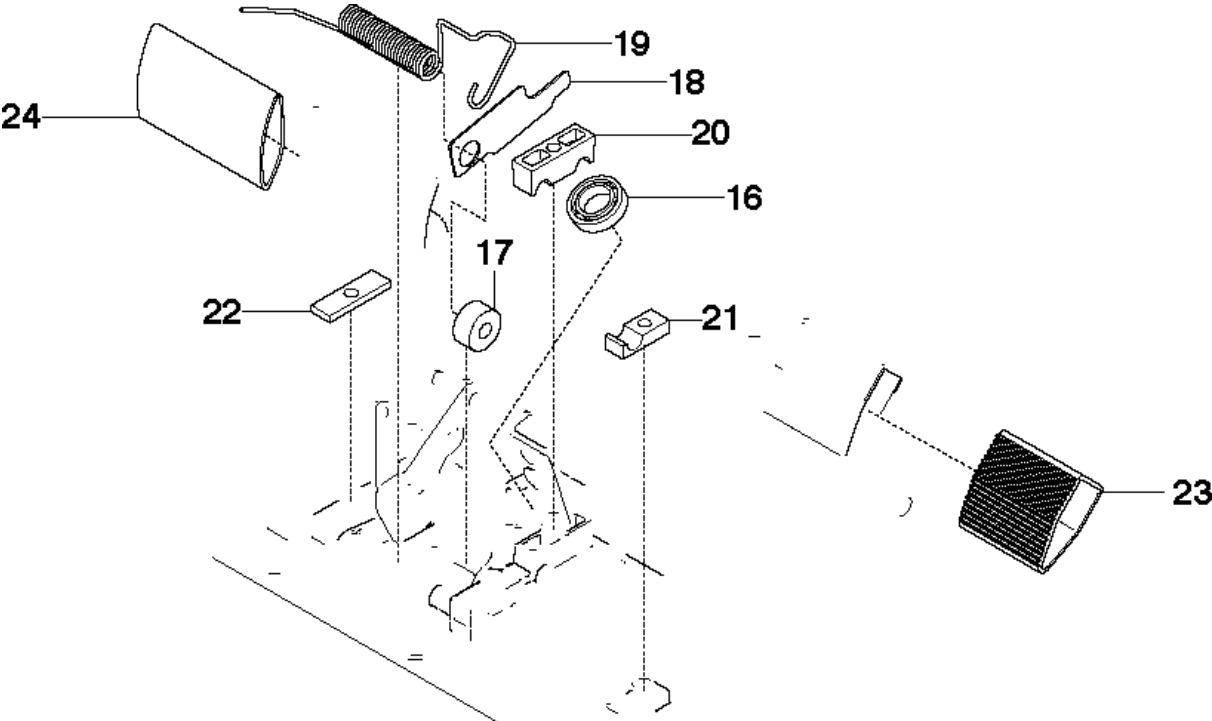
R13C, R16C  
PEDALS



## PEDALS

RIDER 13 C, 965094301, 2010-07

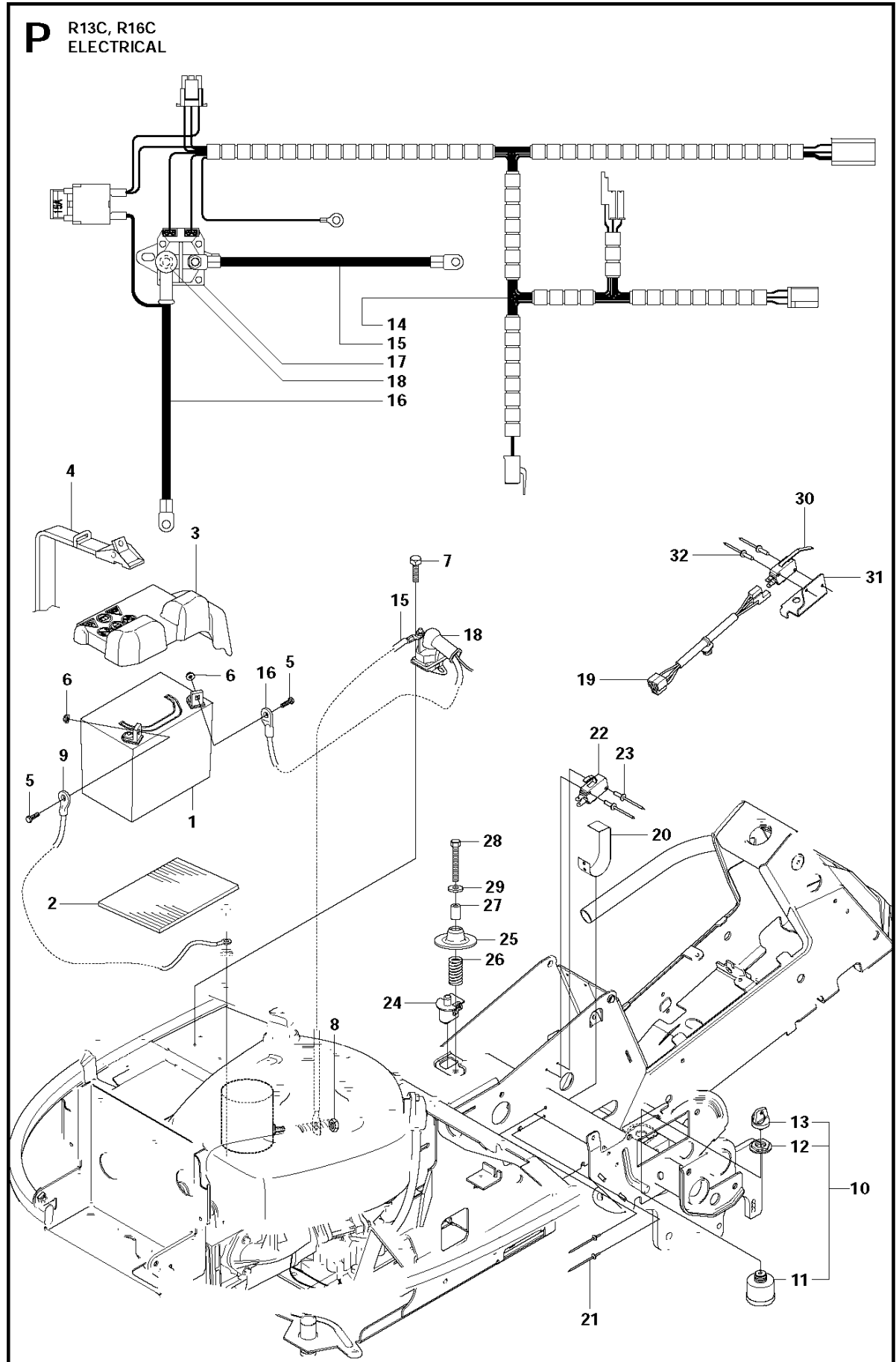
Ref	Part No	Description	Remark	QTY KIT
1	544 12 60-01	PEDAL PLATE ASSY		1
2	535 47 37-01	KNOB		1
3	506 57 01-04	SCREW EHHFM		4
4	544 40 31-01	BRAKE LEVER ASSY		1
5	725 23 64-61	SCREW EHHFT		2
6	506 94 63-01	BRAKE SPRING		1
7	506 99 27-01	BRAKE WIRE		1
8	735 31 09-20	E-CLIP		1
9	506 53 56-03	DRAW SPRING		1
10	574 41 11-01	CONTROL CABLE		1
11	506 55 73-01	VINKELL.AS8 DIN71802		2
12	732 21 14-01	LOCK NUT		2
13	731 23 14-01	HEXAGON NUT		2
14	522 43 08-01	BRACKET		1
15	725 23 64-61	SCREW EHHFT		1



## PEDALS

RIDER 13 C, 965094301, 2010-07

Ref	Part No	Description	Remark	QTY	KIT
16	738 21 02-04	BALL BEARING		1	1
17	535 48 02-01	ROLLER		1	1
18	535 48 06-01	PROTECTIVE PLATE		1	1
19	535 48 07-01	SPRING		1	1
20	535 48 08-01	BEARING SUPPORT		4	1
21	535 48 09-01	BEARING SUPPORT		1	1
22	535 48 10-01	REINFORCEMENT PLATE		1	1
23	535 47 88-01	PEDAL RUBBER		1	1
24	535 47 88-02	PEDAL RUBBER		1	1

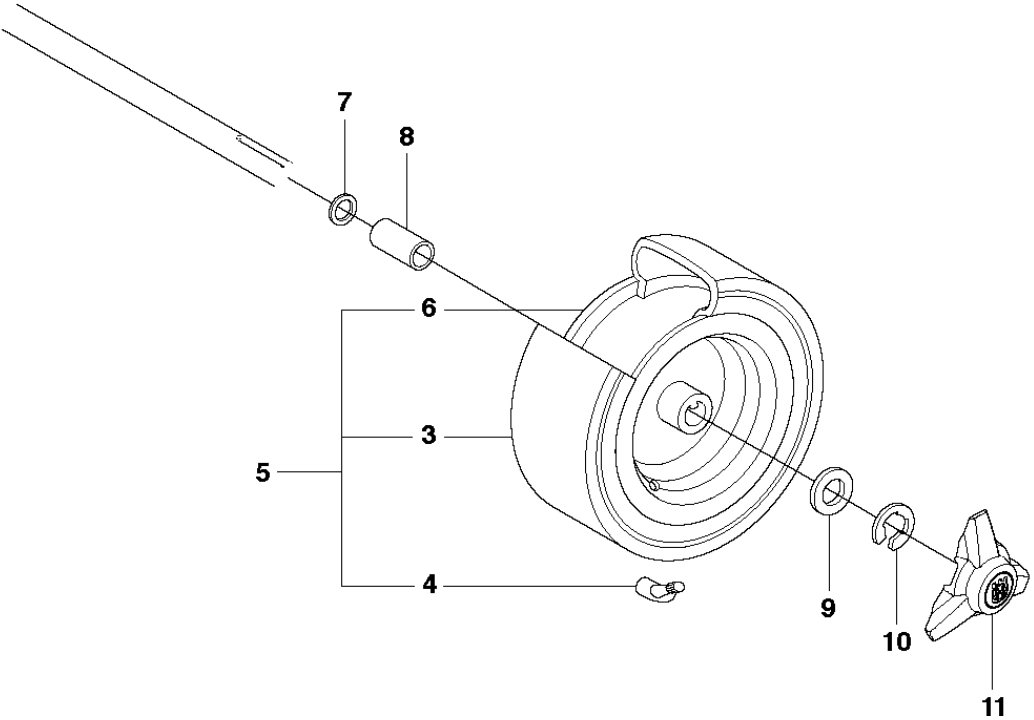
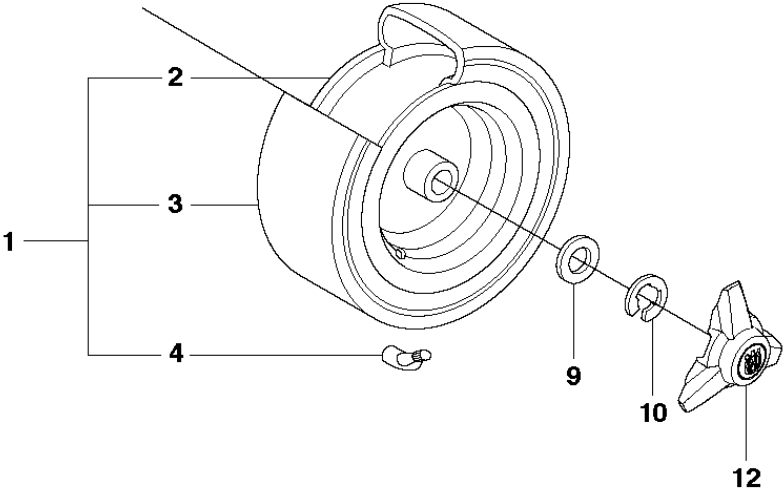
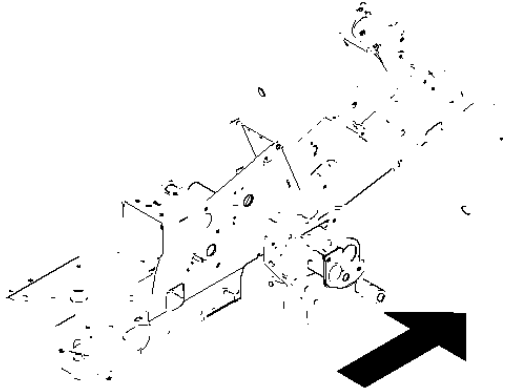


## ELECTRICAL

RIDER 13 C, 965094301, 2010-07

Ref	Part No	Description	Remark	QTY	KIT
1	510 13 85-01	BATTERY		1	
2	535 44 11-01	BATTERY MAT		1	
3	510 02 69-01	COVER		1	
4	506 83 68-02	BELT		1	
5	522 62 21-01	SCREW EHHM		2	
6	522 62 43-01	NUT		2	
7	725 23 64-61	SCREW EHHFT		1	
8	506 89 98-01	NUT		1	
9	576 18 38-01	CABLE		1	
10	544 44 21-01	IGNITION SWITCH		1	
11	544 44 22-01	IGNITION SWITCH		1	10
12	544 44 23-01	NUT		1	10
13	544 44 24-01	IGNITION KEY		1	10
14	544 92 63-01	WIRING		1	
15	544 92 86-01	CABLE		1	
16	544 92 61-04	CABLE		1	
17	544 43 98-01	RELAY		1	
18	506 89 98-01	NUT		2	
19	576 18 54-01	WIRING		1	
20	506 90 93-01	PLATE SPRING		1	
21	722 78 39-02	BLIND RIVET		2	
22	574 31 60-01	SWITCH		1	
23	544 44 07-01	RIVET		2	
24	506 90 96-01	SWITCH		1	
25	506 90 97-01	SPRING WASHER		1	
26	544 44 12-01	SPRING		1	
27	506 90 99-02	SPACING TUBE		1	
28	725 24 60-51	SCREW EHHM		1	
29	734 11 64-01	WASHER		1	
30	544 41 55-01	SWITCH		1	
31	544 41 57-01	BRACKET		1	
32	544 44 07-01	RIVET		2	

R13C, R16C  
WHEELS & TIRES



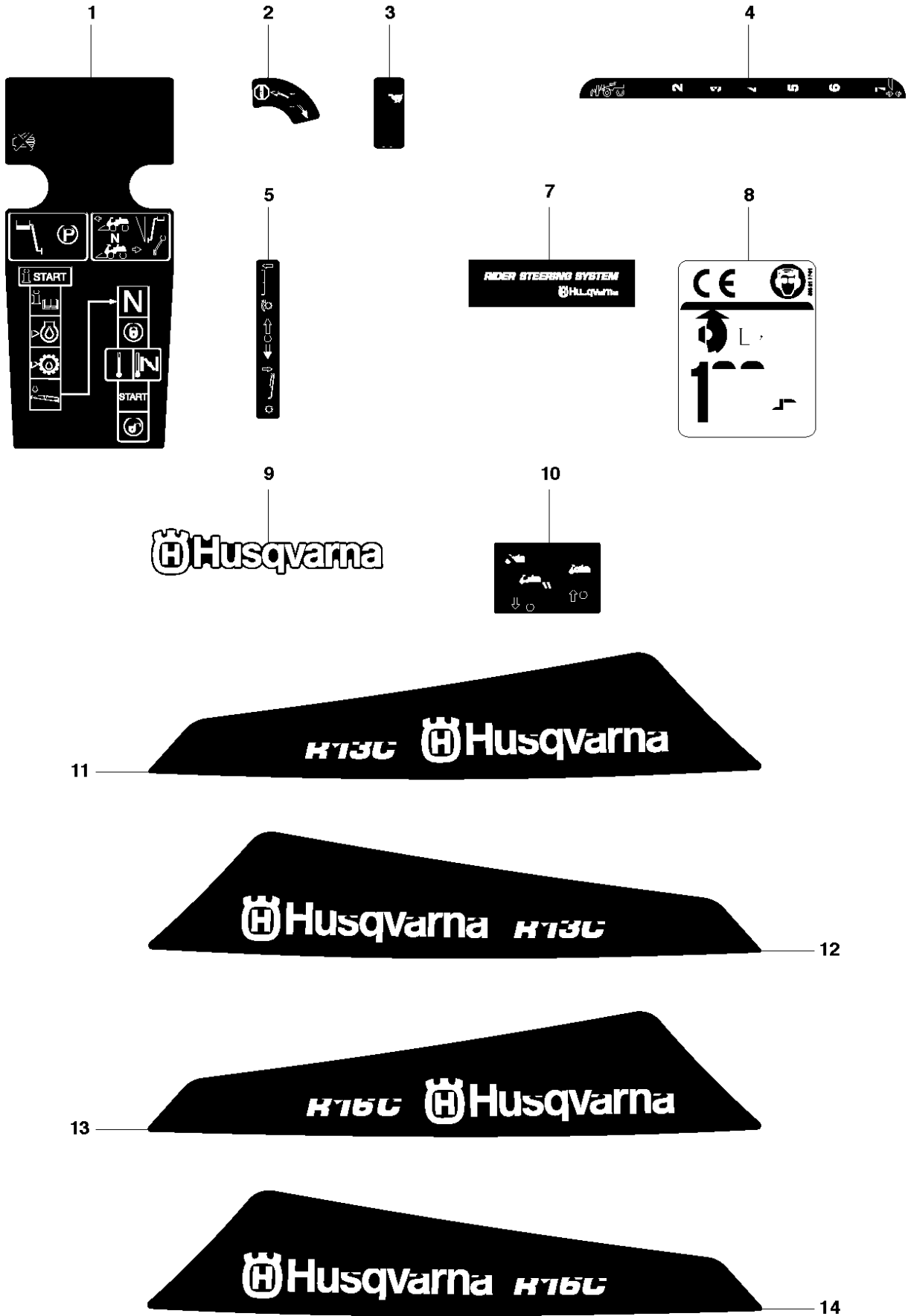


## WHEELS &amp; TIRES

RIDER 13 C, 965094301, 2010-07

Ref	Part No	Description	Remark	QTY	KIT
1	523 01 22-02	WHEEL		2	
2	523 03 45-01	RIM		1	1
3	523 03 46-02	TIRE		1	1, 5
4	523 03 47-01	VALVE		1	1, 5
5	523 01 26-02	WHEEL		2	
6	523 03 48-01	RIM		1	5
7	506 50 48-05	WASHER		4	
8	506 59 62-03	SPACING SLEEVE		2	
9	506 50 48-03	WASHER		2	
10	506 89 90-01	E-CLIP		4	
11	544 35 35-01	HUB CAP		2	
12	544 35 35-02	HUB CAP		2	

R13C, R16C  
DECALS

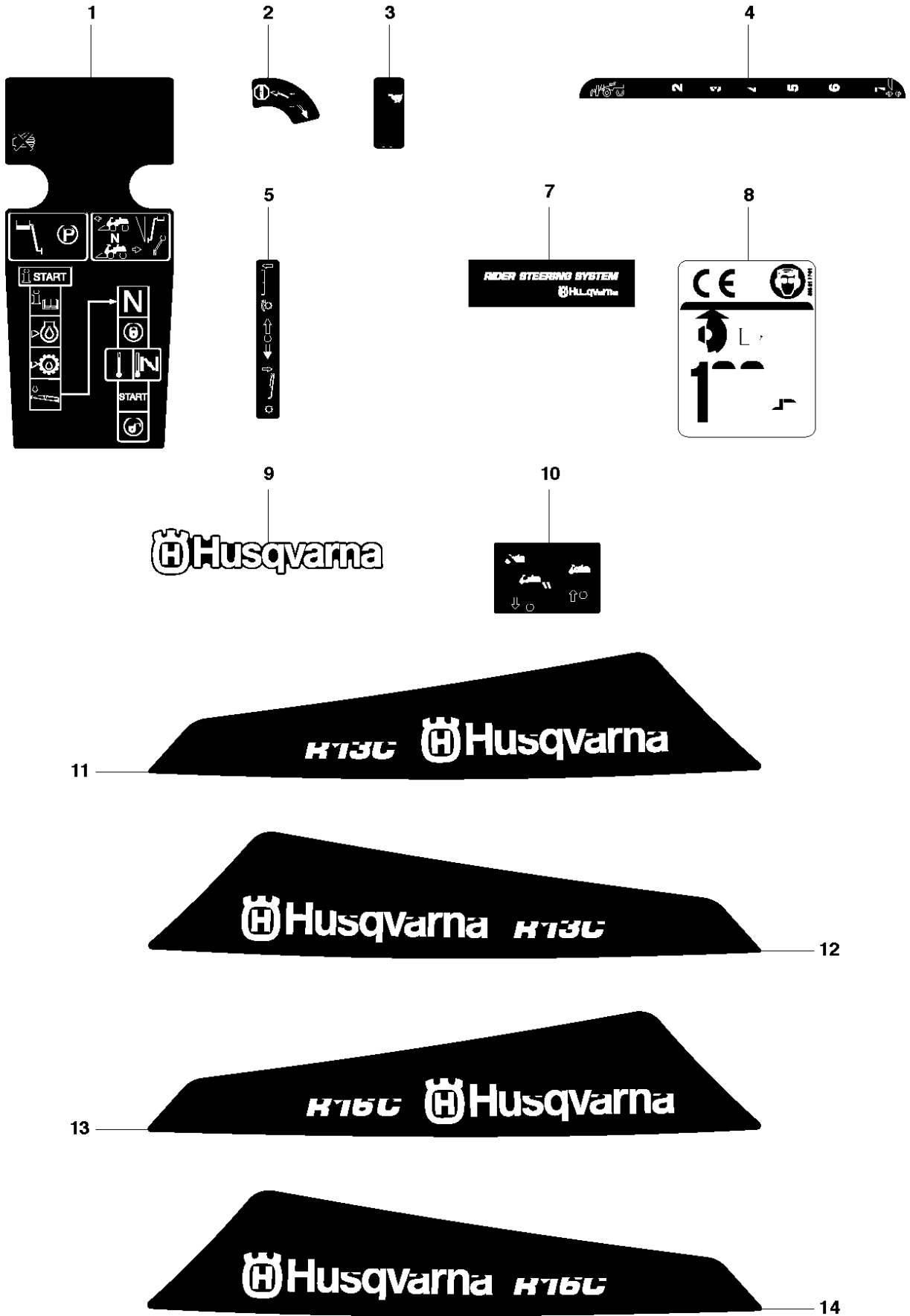


## DECALS

RIDER 13 C, 965094301, 2010-07

Ref	Part No	Description	Remark	QTY KIT
1	544 43 86-01	LABEL		1
2	544 43 87-01	LABEL		1
3	544 43 88-01	LABEL		1
4	544 43 90-01	LABEL		1
5	544 43 92-01	LABEL		1
7	544 83 36-01	LABEL		1
8	505 21 77-01	LABEL		1
9	544 39 11-02	LABEL		1
10	544 21 14-01	LABEL		1
11	544 43 94-01	LABEL		1
12	544 43 94-02	LABEL		1
13	504 81 32-01	LABEL		1
14	504 81 32-02	LABEL		1

R13C, R16C  
DECALS

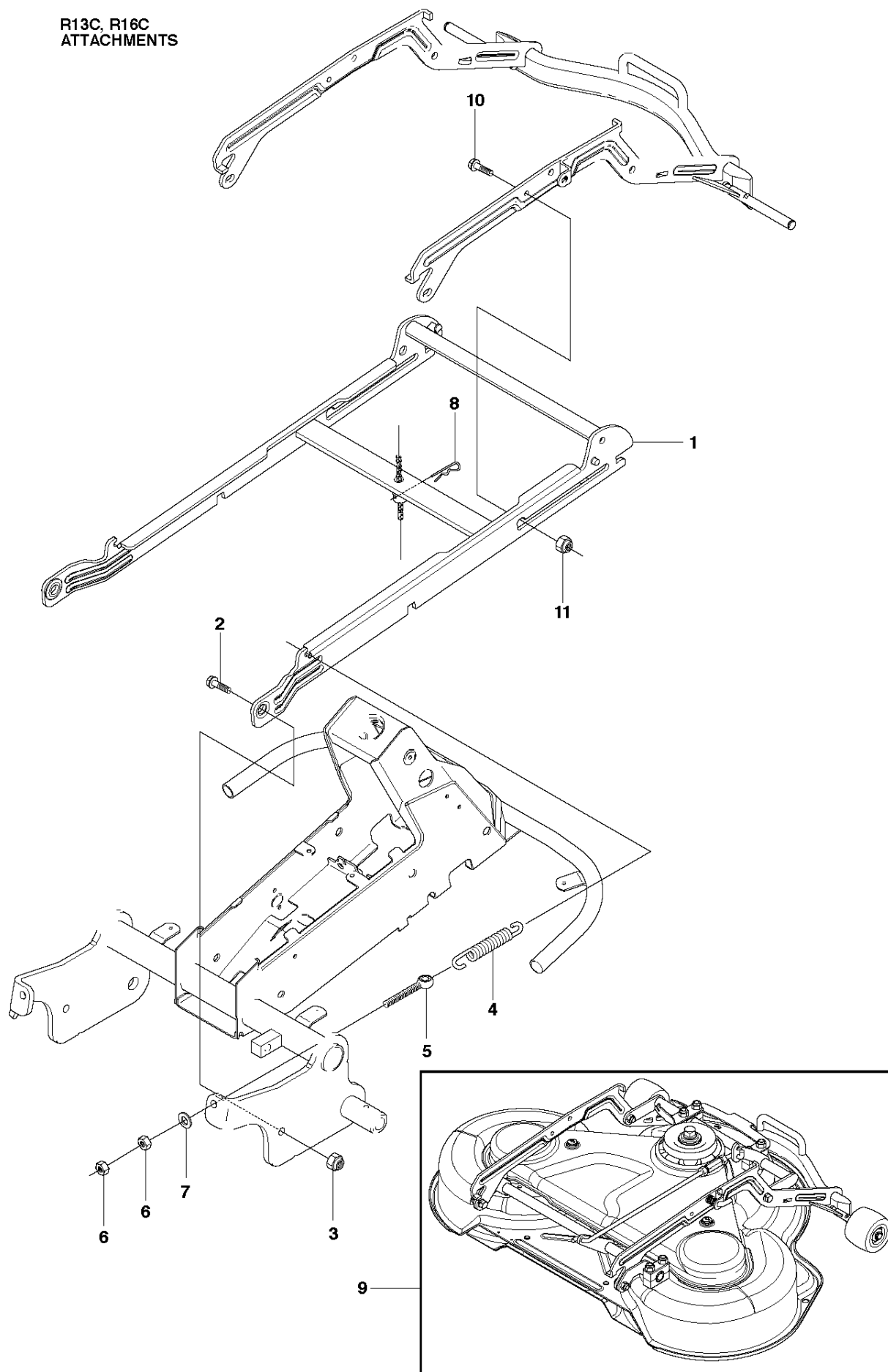


## DECALS

RIDER 13 C, 965094301, 2010-07

Ref	Part No	Description	Remark	QTY KIT
1	544 43 86-01	LABEL		1
2	544 43 87-01	LABEL		1
3	544 43 88-01	LABEL		1
4	544 43 90-01	LABEL		1
5	544 43 92-01	LABEL		1
7	544 83 36-01	LABEL		1
8	505 21 77-01	LABEL		1
9	544 39 11-02	LABEL		1
10	544 21 14-01	LABEL		1
11	544 43 94-01	LABEL		1
12	544 43 94-02	LABEL		1
13	504 81 32-01	LABEL		1
14	504 81 32-02	LABEL		1

R13C, R16C  
ATTACHMENTS

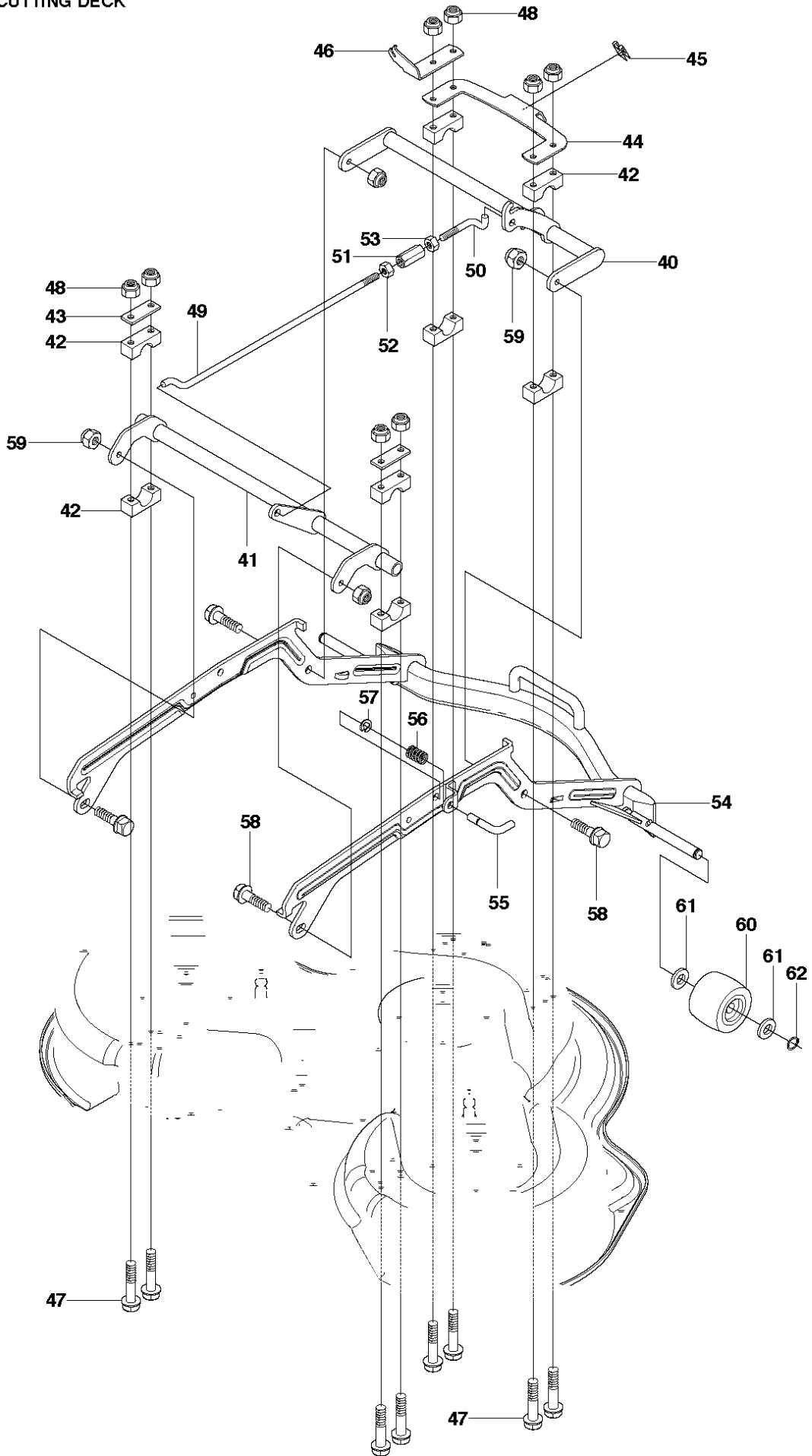


## ATTACHMENTS

RIDER 13 C, 965094301, 2010-07

Ref	Part No	Description	Remark	QTY KIT
1	544 21 27-01	EQUIPMENT FRAME		1
2	506 89 58-01	COLLAR SCREW		2
3	732 25 22-01	HEXAGON LOCKING NUT		2
4	506 83 76-01	SPRING		2
5	506 83 77-01	RING BOLT		2
6	731 23 20-51	HEXAGON NUT		4
7	734 11 72-01	WASHER		2
8	506 96 66-01	HAIR PIN COTTER		1
9	544 43 79-01	CUTTING DECK		1
10	544 36 24-01	SCREW		2
11	732 21 18-01	LOCK NUT		2

R13C, R16C  
CUTTING DECK



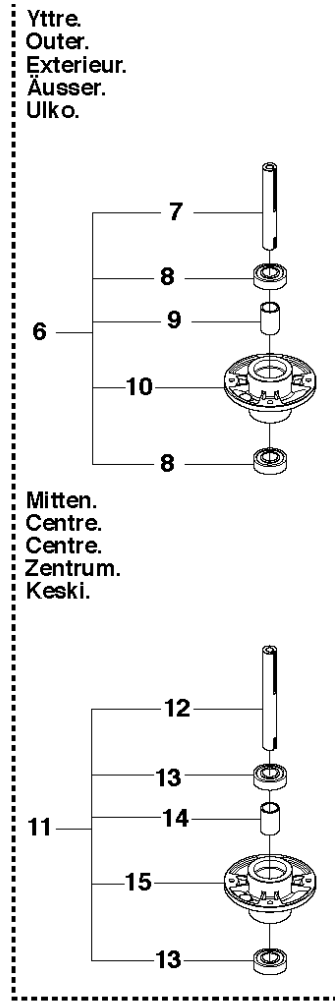
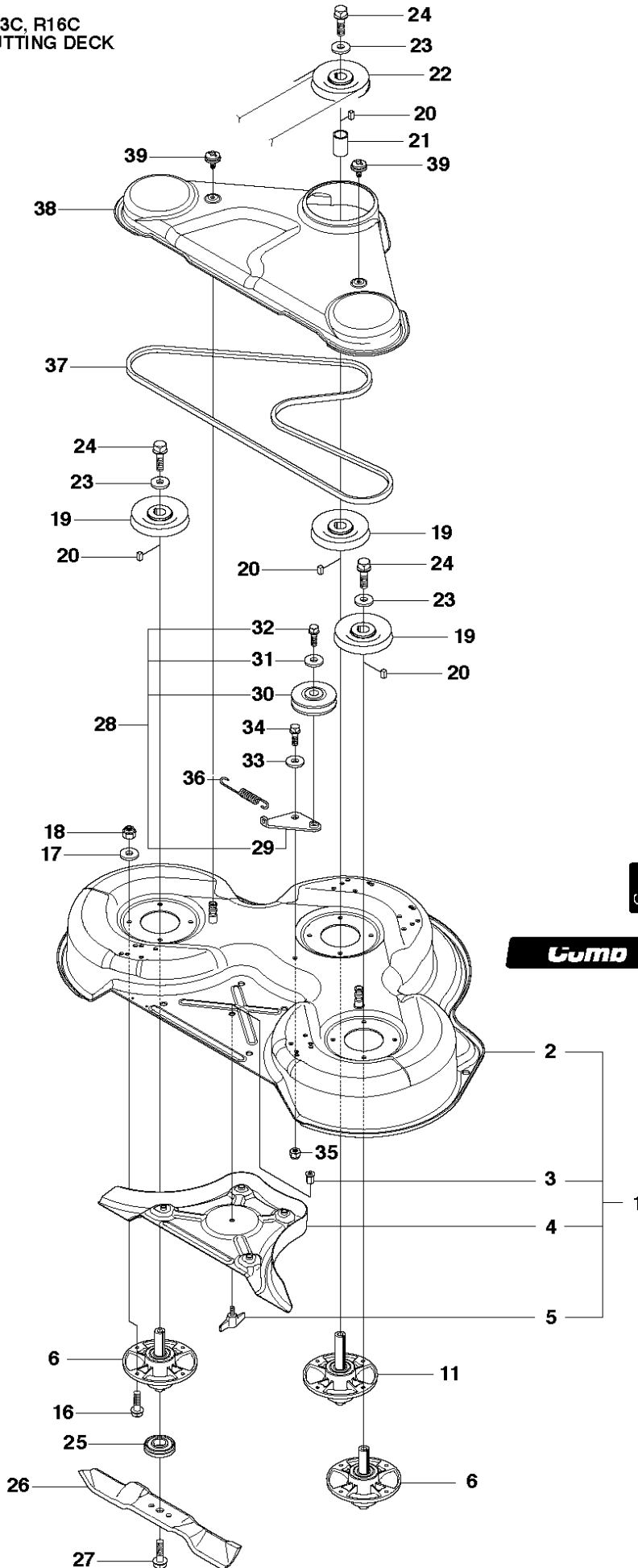


## MOWER DECK / CUTTING DECK

RIDER 13 C, 965094301, 2010-07

Ref	Part No	Description	Remark	QTY KIT
40	544 22 07-01	CROSS BAR		1
41	544 22 59-01	CROSS BAR		1
42	506 86 96-01	BEARING		8
43	506 81 38-01	REINFORCING PLATE		2
44	544 37 91-01	BRACKET		1
45	506 96 37-01	LÂSDON		1
46	544 22 83-01	BRACKET		1
47	725 24 61-51	SCREW EHHM		8
48	732 21 18-01	LOCK NUT		8
49	544 22 69-01	PARALLEL ROD		1
50	544 45 14-01	PARALLEL ROD		1
51	544 45 15-01	ADJUSTMENT ROD		1
52	506 89 76-01	NUT		1
53	731 23 20-51	HEXAGON NUT		1
54	544 21 33-01	DECK ATTACHMENT		1
55	544 21 39-01	LOCKING PIN		1
56	544 21 41-01	SPRING		1
57	735 31 13-20	E-CLIP		1
58	506 59 74-01	SCREW EHHFM		4
59	732 21 18-01	LOCK NUT		4
60	506 96 30-01	WHEEL ASSY		2
61	535 46 41-01	WASHER		4
62	735 31 17-00	CIRCLIP		2

R13C, R16C  
CUTTING DECK



## MOWER DECK / CUTTING DECK

RIDER 13 C, 965094301, 2010-07

Ref	Part No	Description	Remark	QTY	KIT
1	544 06 57-04	CUTTING DECK		1	
2	544 06 55-06	DECK SHELL ASSY		1	1
3	506 91 62-01	NUT		1	1
4	544 06 58-01	PLUG		1	1
5	544 06 61-01	KNOB		1	1
6	544 06 59-01	BLADE HOUSING ASSY		2	
7	544 06 79-02	SHAFT		1	6
8	738 23 04-34	BALL BEARING		2	6
9	544 06 80-01	SPACING SLEEVE		1	6
10	544 06 78-01	BEARING HOUSING		1	6
11	544 06 59-03	BLADE HOUSING ASSY		1	
12	544 06 79-03	SHAFT		1	11
13	738 23 04-34	BALL BEARING		2	11
14	544 06 80-01	SPACING SLEEVE		1	11
15	544 06 78-01	BEARING HOUSING		1	11
16	535 42 38-01	SCREW RSQM		12	
17	734 11 64-01	WASHER		12	
18	732 21 18-01	LOCK NUT		12	
19	506 92 21-01	PULLEY		3	
20	506 53 35-01	PARALLEL KEY		4	
21	544 06 80-03	SPACING SLEEVE		1	
22	506 77 86-01	PULLEY		1	
23	734 11 74-41	WASHER		3	
24	506 67 54-02	SCREW EHHFM		3	
25	544 06 49-01	BLADE HOLDER		3	
26	579 65 25-10	BLADE		3	
27	506 67 54-02	SCREW EHHFM		3	
28	506 79 73-01	BELT TENSIONER ASSY		1	
29	506 79 71-01	SPÄNNARM KPL.		1	28
30	506 79 32-01	BELT TENSIONER WHEEL		1	28
31	734 11 64-41	WASHER		1	28
32	506 55 83-02	SCREW EHHFT		1	28
33	506 91 87-02	WASHER		1	
34	725 24 51-71	SCREW EHHM		1	
35	732 21 18-01	LOCK NUT		1	
36	506 53 31-01	SPRING		1	
37	589 53 07-01	BELT		1	
38	522 82 19-01	BELT COVER		1	
39	544 40 05-01	SCREW		2	
63	506 78 97-01	LABEL		1	
64	544 23 81-01	LABEL		1	