

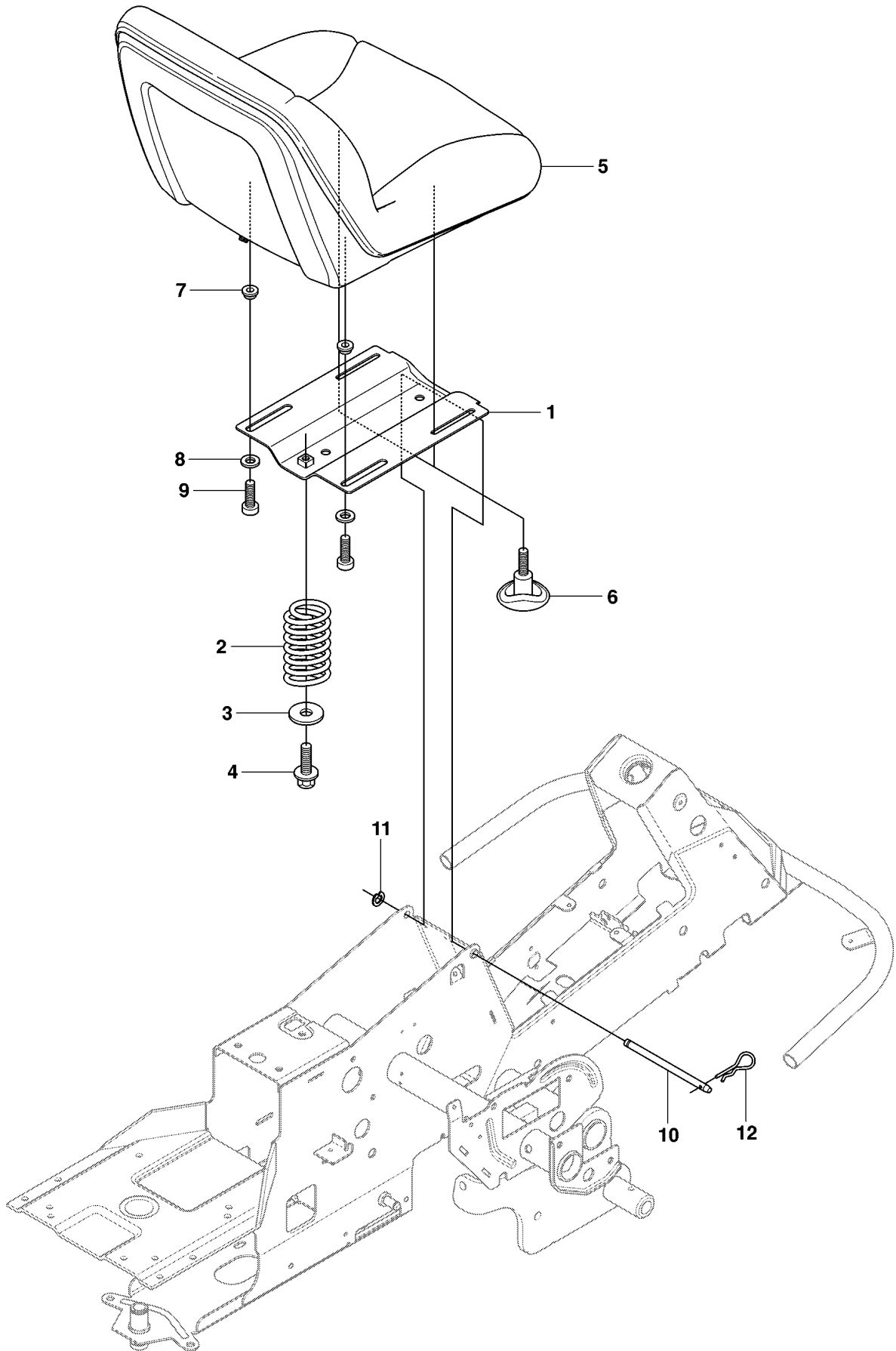


SPARE PARTS LIST

RIDERS

RIDER 15 C, 965094401, 2007-01

A 965 09 43-01 RIDER R13C
965 09 44-01 RIDER R15C
SEAT, TS2500 Rv.A

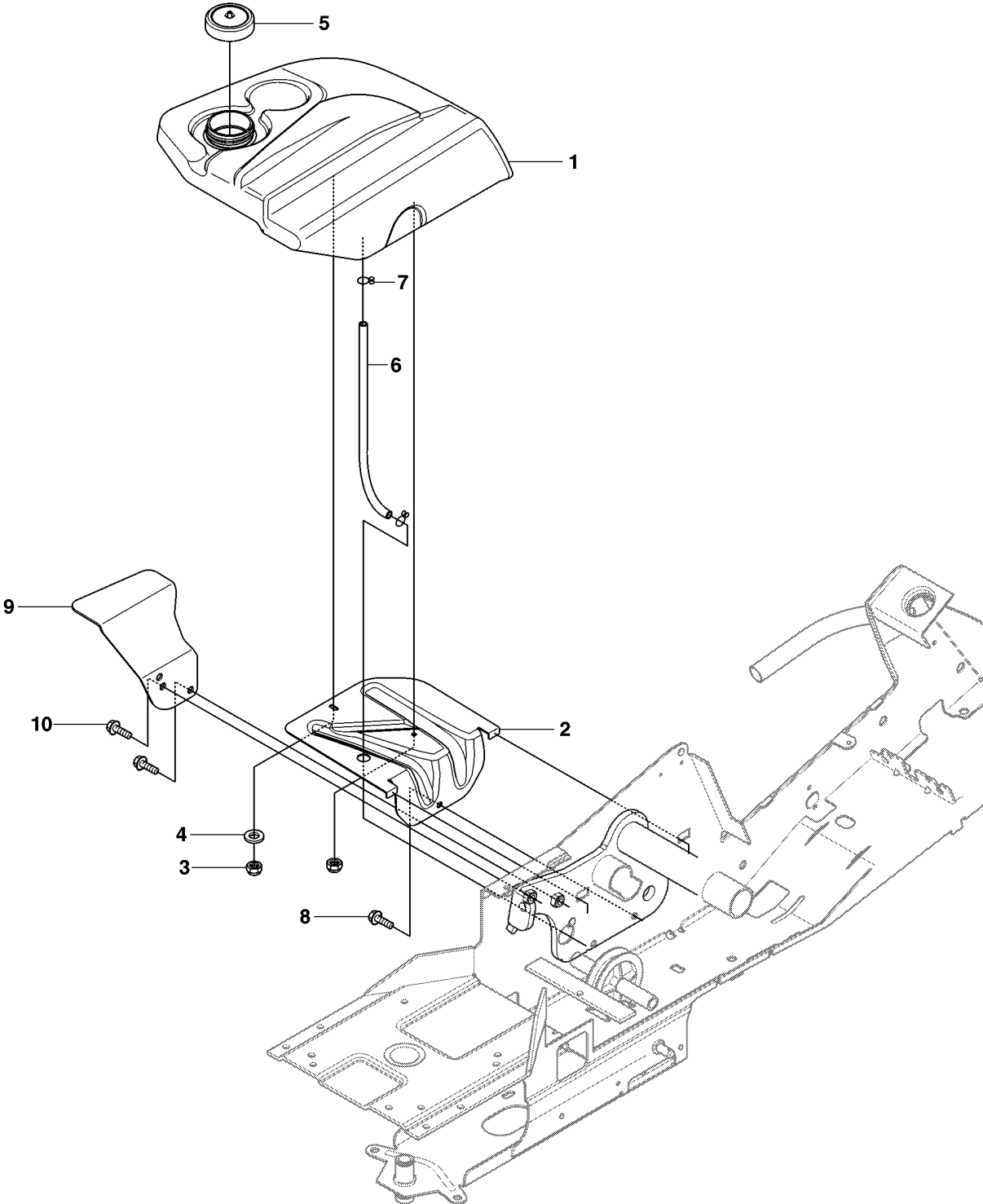


SEAT

RIDER 15 C, 965094401, 2007-01

Ref	Part No	Description	Remark	QTY KIT
1	544 32 85-03	SEAT BRACKET		1
2	506 91 53-01	COMPRESSION SPRING		1
3	734 11 74-41	WASHER		1
4	725 24 93-71	SCREW EHHM		1
5	544 43 33-01	SEAT		1
6	506 56 55-01	JUSTERVRED		2
7	506 56 53-01	BUSHING		2
8	734 11 64-41	WASHER		2
9	506 55 63-01	SCREW UNC		2
10	506 50 99-01	SHAFT		1
11	735 31 12-00	CIRCLIP		1
12	506 66 88-01	SPRING COTTER		1

B 965 09 43-01 RIDER R13C
965 09 44-01 RIDER R15C
FUEL SYSTEM, Rv.F

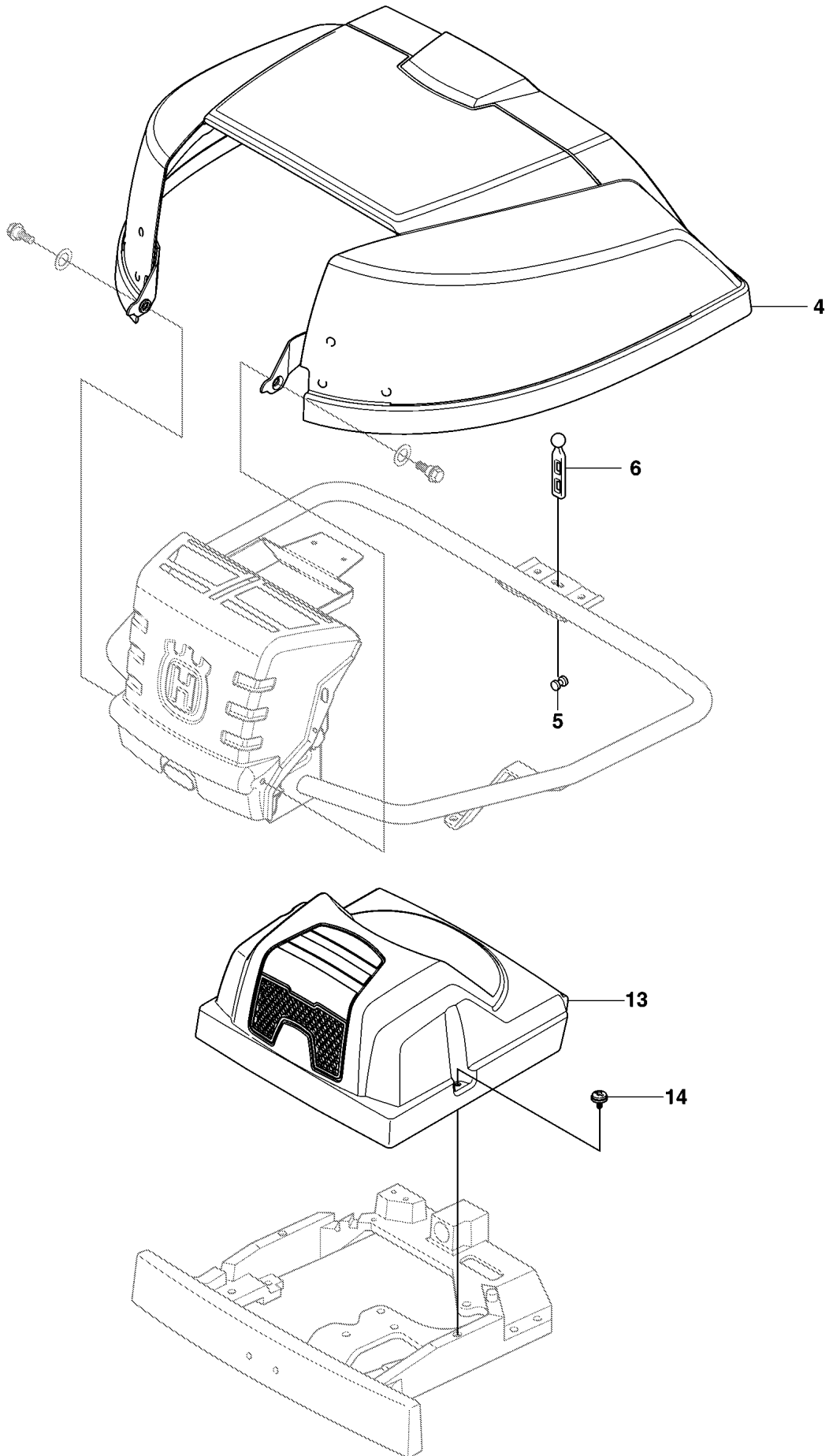


FUEL SYSTEM

RIDER 15 C, 965094401, 2007-01

Ref	Part No	Description	Remark	QTY KIT
1	535 50 13-01	FUEL TANK		1
2	544 32 93-01	BRACKET		1
3	732 21 16-01	LOCK NUT		2
4	734 11 56-01	WASHER		1
5	506 67 33-01	TANK CAP ASSY		1
6	506 94 67-07	FUEL HOSE		1
7	535 46 97-01	HOSE BRACE		2
8	725 23 64-61	SCREW EHHFT		1
9	501 02 03-01	SUPPORT		1
10	725 24 93-71	SCREW EHHM		2

C1 965 09 43-01 RIDER R13C
965 09 44-01 RIDER R15C
COVER, Rv.E

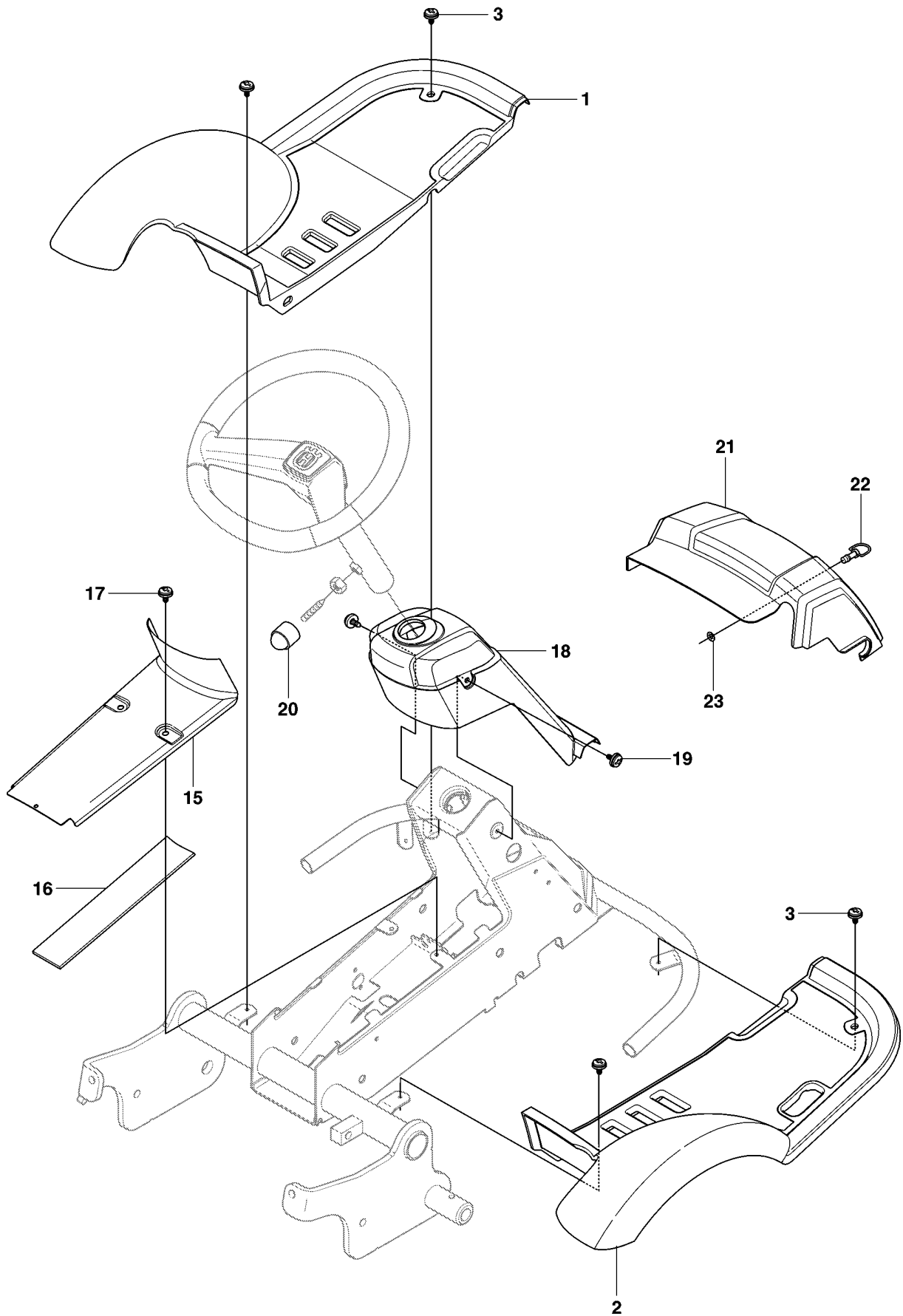


COVER

RIDER 15 C, 965094401, 2007-01

Ref	Part No	Description	Remark	QTY KIT
4	544 24 76-01	ENGINE HOOD ASSY		1
5	506 59 95-01	BUTTON		1
6	506 59 96-01	GUMMISTROPP		1
13	544 37 39-01	COVER		1
14	544 40 05-01	SCREW		2

C2 965 09 43-01 RIDER R13C
965 09 44-01 RIDER R15C
COVER, Rv.E

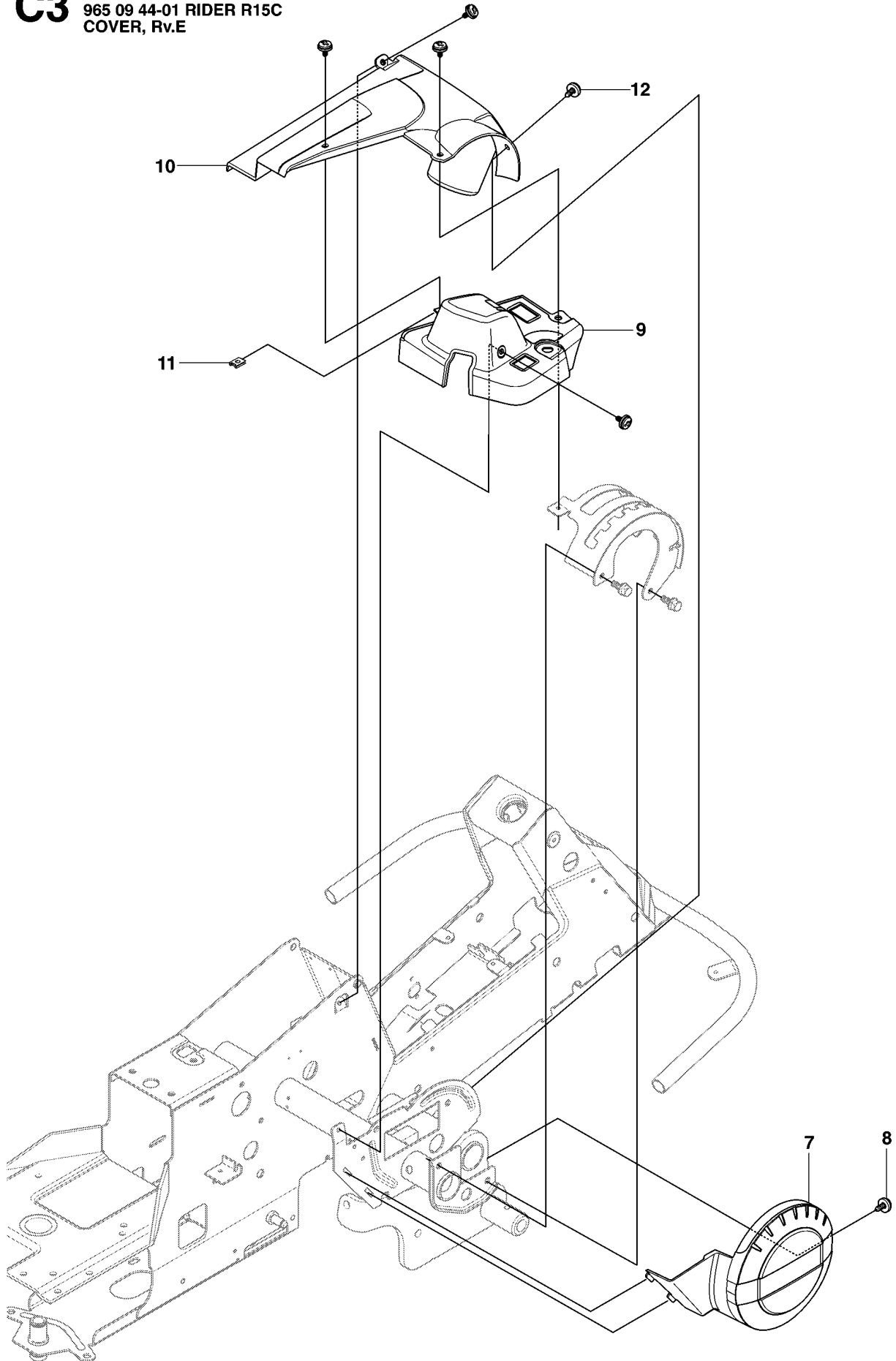


COVER

RIDER 15 C, 965094401, 2007-01

Ref	Part No	Description	Remark	QTY KIT
1	544 89 59-01	FOOT PLATE		1
2	544 89 59-03	FOOT PLATE		1
3	544 40 05-01	SCREW		4
15	544 23 92-01	COVER		1
16	544 42 75-01	MAT		1
17	544 40 05-01	SCREW		2
18	544 32 65-01	COVER		1
19	544 40 05-01	SCREW		2
20	544 43 32-01	PROTECTIVE COVER		1
21	544 37 42-01	UNIT COVER		1
22	506 96 35-01	VRIDTAPP		1
23	506 96 36-01	WASHER		1

C3 965 09 43-01 RIDER R13C
965 09 44-01 RIDER R15C
COVER, Rv.E

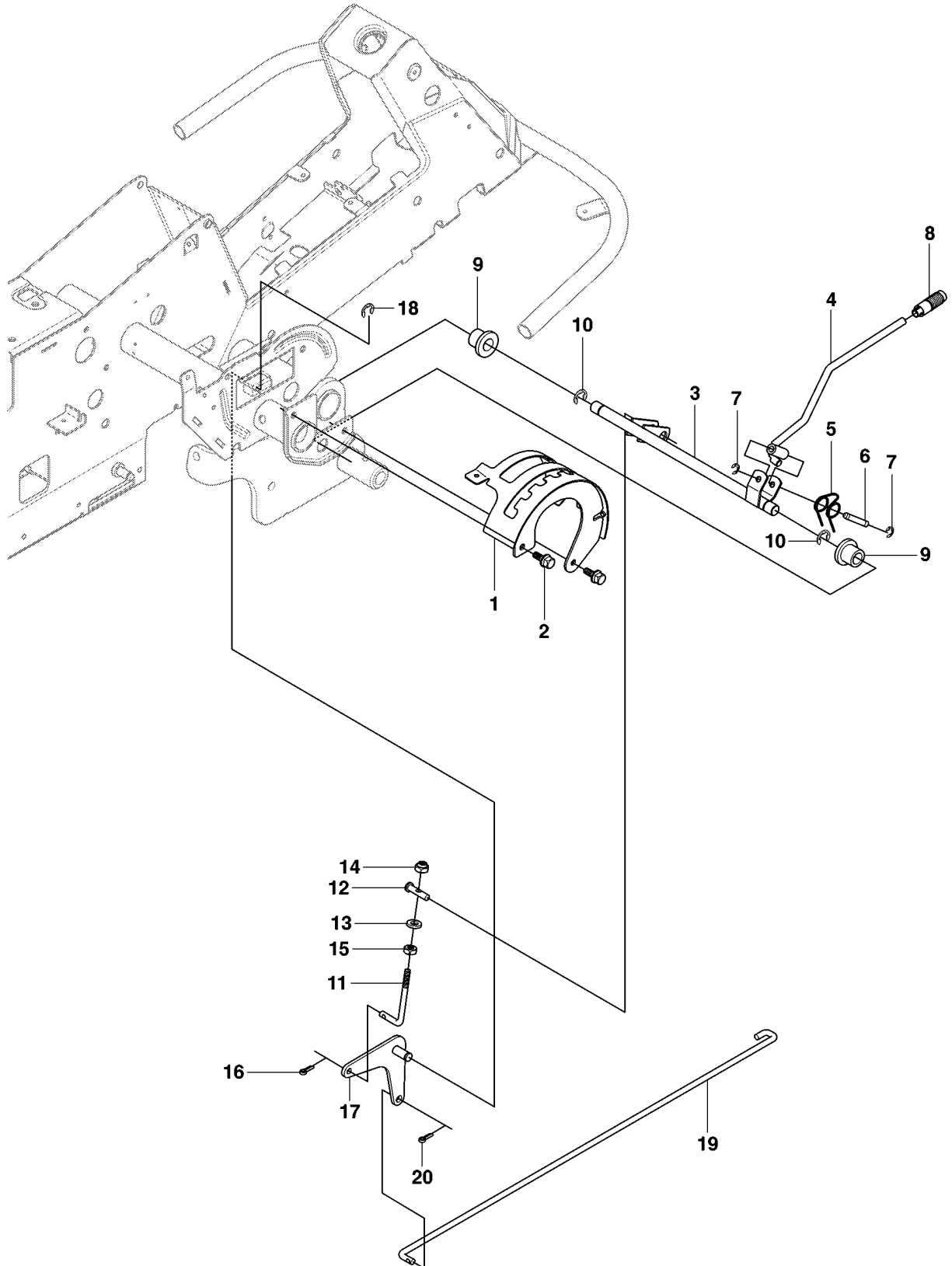


COVER

RIDER 15 C, 965094401, 2007-01

Ref	Part No	Description	Remark	QTY KIT
7	535 50 25-01	CONTROL COVER		1
8	544 40 05-01	SCREW		1
9	544 33 21-03	CONTROL COVER		1
10	544 33 22-02	COVER		1
11	535 42 91-01	SPRING NUT		1
12	544 40 05-01	SCREW		4

D 965 09 43-01 RIDER R13C
965 09 44-01 RIDER R15C
HEIGHT ADJUSTMENT, Rv.C

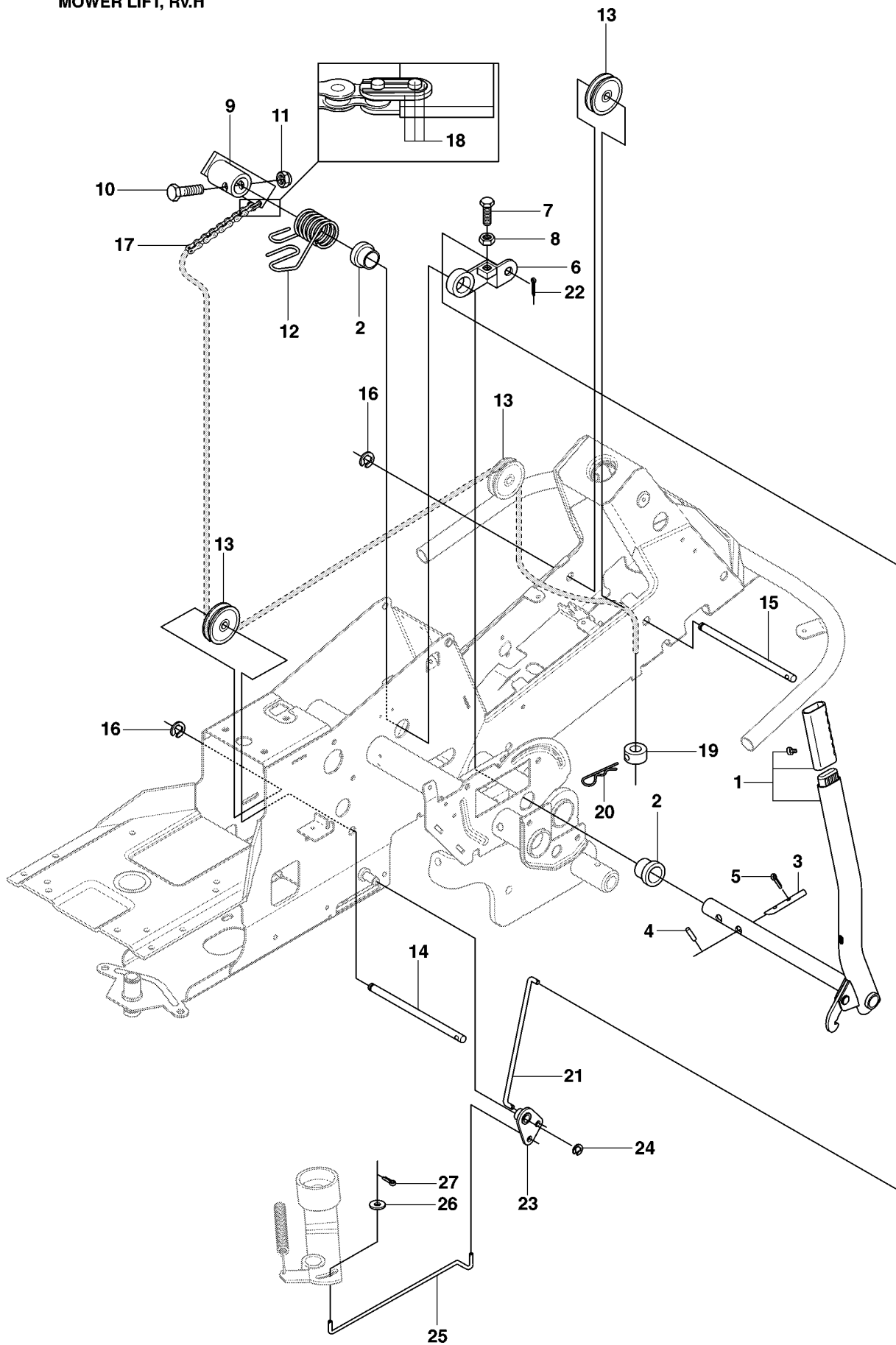


HEIGHT ADJUSTMENT

RIDER 15 C, 965094401, 2007-01

Ref	Part No	Description	Remark	QTY KIT
1	535 50 14-01	CONTROL PLATE		1
2	506 57 01-03	SCREW EHHFM		2
3	535 50 64-01	CONTROL SHAFT		1
4	535 50 62-01	ADJUSTER		1
5	506 53 14-01	SPRING		1
6	506 53 15-01	SHAFT		1
7	735 31 09-20	E-CLIP		2
8	506 54 20-01	HANDLE		1
9	506 55 43-01	BEARING		2
10	735 31 22-20	E-CLIP		2
11	506 90 82-01	HEIGHT ROD		1
12	506 78 46-01	PEN		1
13	734 11 72-01	WASHER		1
14	732 21 18-01	LOCK NUT		1
15	731 23 18-01	HEXAGON NUT		1
16	721 61 83-01	SPLIT PIN		1
17	544 22 77-01	LINK		1
18	735 31 15-20	E-CLIP		1
19	544 22 70-01	CONNECTION ROD		1
20	721 61 83-01	SPLIT PIN		1

E 965 09 43-01 RIDER R13C
965 09 44-01 RIDER R15C
MOWER LIFT, Rv.H

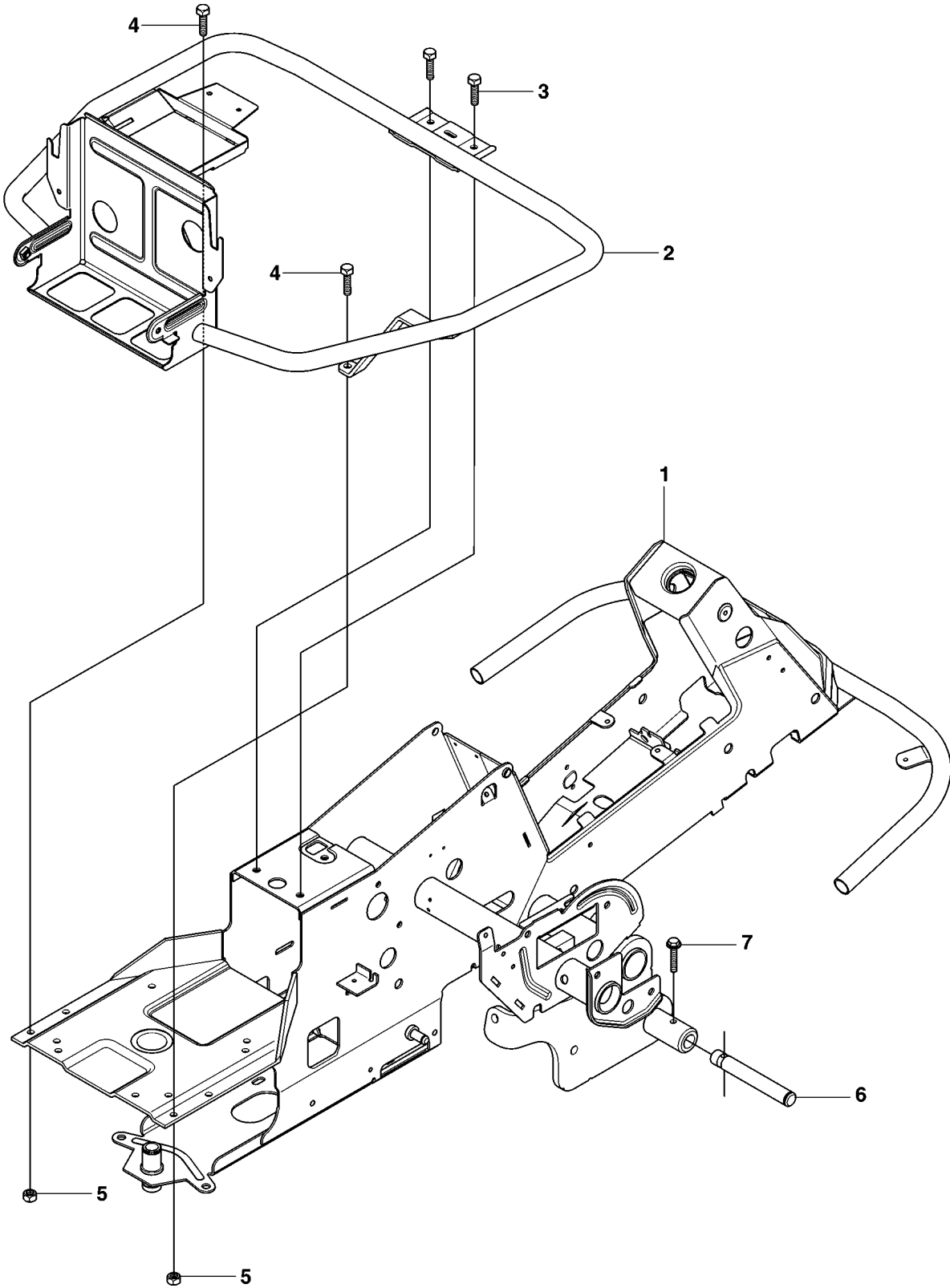


MOWER LIFT / DECK LIFT

RIDER 15 C, 965094401, 2007-01

Ref	Part No	Description	Remark	QTY KIT
1	501 01 86-01	LIFTING LEVER ASSY		1
2	506 55 65-01	BEARING		2
3	506 90 53-01	PEN		1
4	721 12 59-30	GROOVED PIN		1
5	721 61 83-01	SPLIT PIN		1
6	506 78 43-01	LINK ASSY		1
7	725 24 97-51	SCREW		1
8	731 23 20-51	HEXAGON NUT		1
9	544 43 36-01	LIFTING ARM		1
10	725 25 42-51	SCREW EHHM		1
11	732 25 22-01	HEXAGON LOCKING NUT		1
12	506 91 68-01	SPRING		1
13	506 90 56-01	OFFSET PULLEY		2
14	506 90 57-01	SHAFT		1
15	506 90 57-02	SHAFT		1
16	735 31 18-20	E-CLIP		2
17	506 55 46-07	CHAIN		1
18	506 55 47-01	LINKAGE		1
19	544 93 42-01	CHAIN STOP		1
20	506 96 66-01	HAIR PIN COTTER		1
21	544 45 69-01	CONNECTION ROD		1
22	721 61 83-01	SPLIT PIN		1
23	544 37 86-01	LINK		1
24	735 31 14-20	E-CLIP		1
25	544 44 88-01	CONNECTION ROD		1
26	734 11 64-41	WASHER		1
27	721 61 83-01	SPLIT PIN		1

F 965 09 43-01 RIDER R13C
965 09 44-01 RIDER R15C
CHASSIS, Rv.D

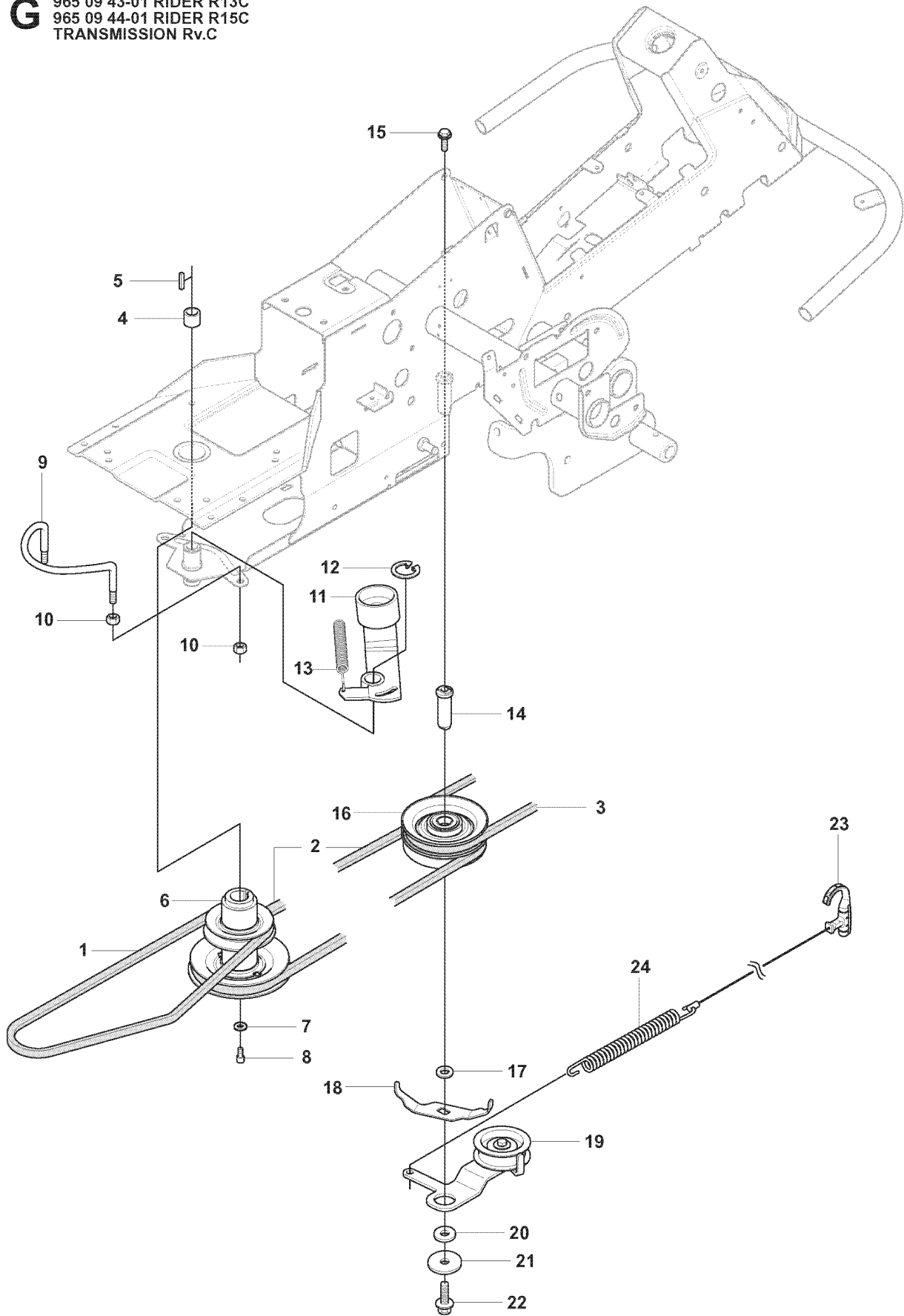


CHASSIS / FRAME

RIDER 15 C, 965094401, 2007-01

Ref	Part No	Description	Remark	QTY KIT
1	544 84 23-01	FRAME		1
2	544 24 45-01	ENGINE FRAME		1
3	506 57 01-03	SCREW EHHFM		2
4	725 24 51-71	SCREW EHHM		2
5	731 23 18-01	HEXAGON NUT		2
6	535 47 08-01	WHEEL AXLE		2
7	725 24 59-61	SCREW EHHFT		2

G 965 09 43-01 RIDER R13C
965 09 44-01 RIDER R15C
TRANSMISSION Rv.C

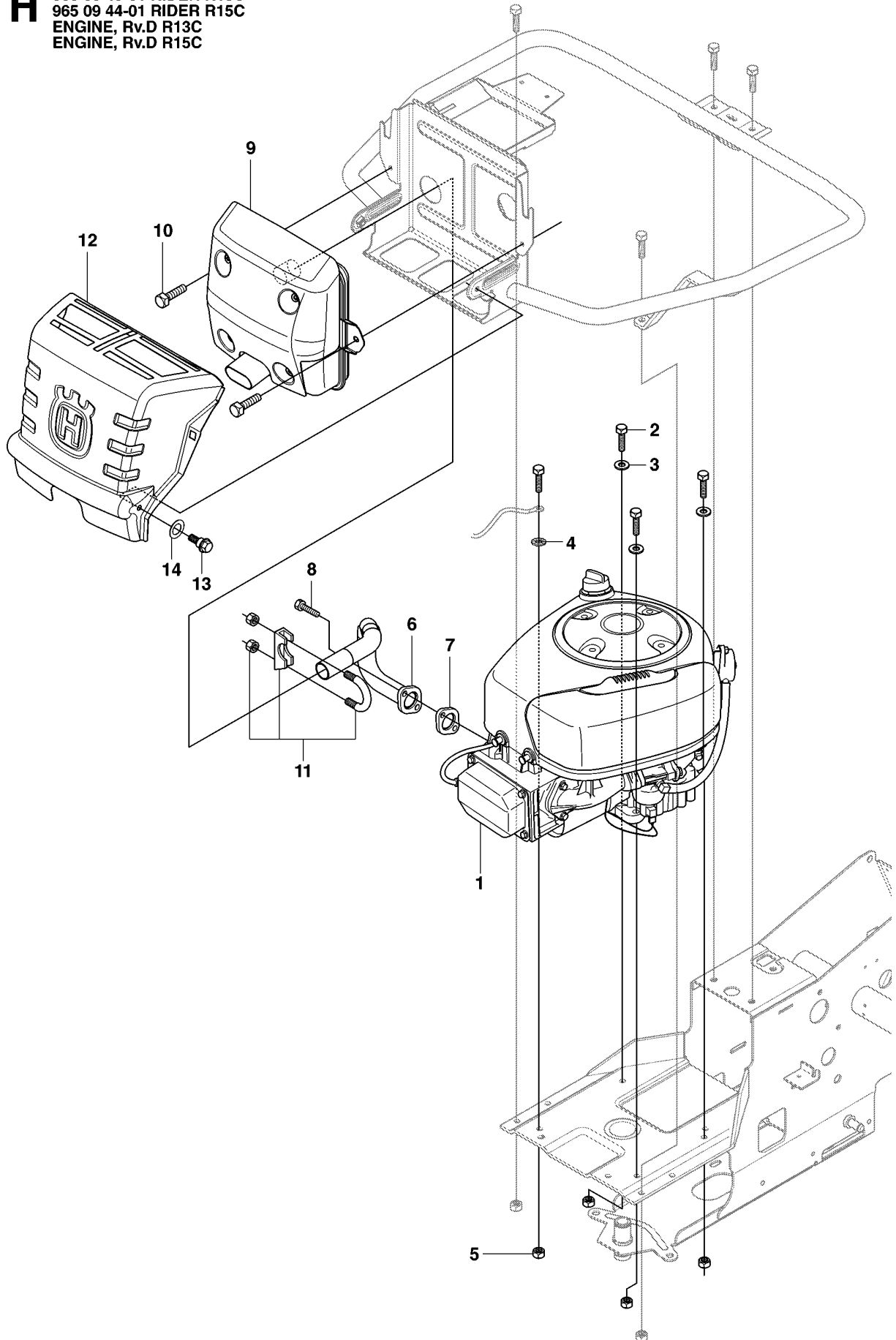


TRANSMISSION

RIDER 15 C, 965094401, 2007-01

Ref	Part No	Description	Remark	QTY KIT
1	506 98 83-01	BELT		1
2	544 40 02-01	BELT		1
3	544 23 89-01	BELT		1
4	506 50 92-01	SPACING SLEEVE		1
5	506 55 59-01	WEDGE		1
6	535 48 24-01	PULLEY		1
7	506 59 75-01	WASHER		1
8	506 55 60-02	SCREW UNC		1
9	506 66 45-01	BELT GUIDE		1
10	731 23 20-51	HEXAGON NUT		4
11	535 48 44-01	BELT TENSIONER ASSY		1
12	735 31 26-00	CIRCLIP		1
13	506 66 56-01	SPRING		1
14	544 42 61-01	SHAFT		1
15	506 67 54-01	SCREW EHHFM		1
16	535 48 22-01	PULLEY		1
17	506 77 57-01	WASHER		1
18	544 40 53-01	BELT GUIDE		1
19	544 22 81-01	BELT TENSIONER ASSY		1
20	506 59 75-01	WASHER		1
21	506 98 25-01	WASHER		1
22	506 57 01-05	SCREW EHHFM		1
23	544 23 95-01	HANDLE ASSY		1
24	544 23 88-01	SPRING		1

H 965 09 43-01 RIDER R13C
965 09 44-01 RIDER R15C
ENGINE, Rv.D R13C
ENGINE, Rv.D R15C

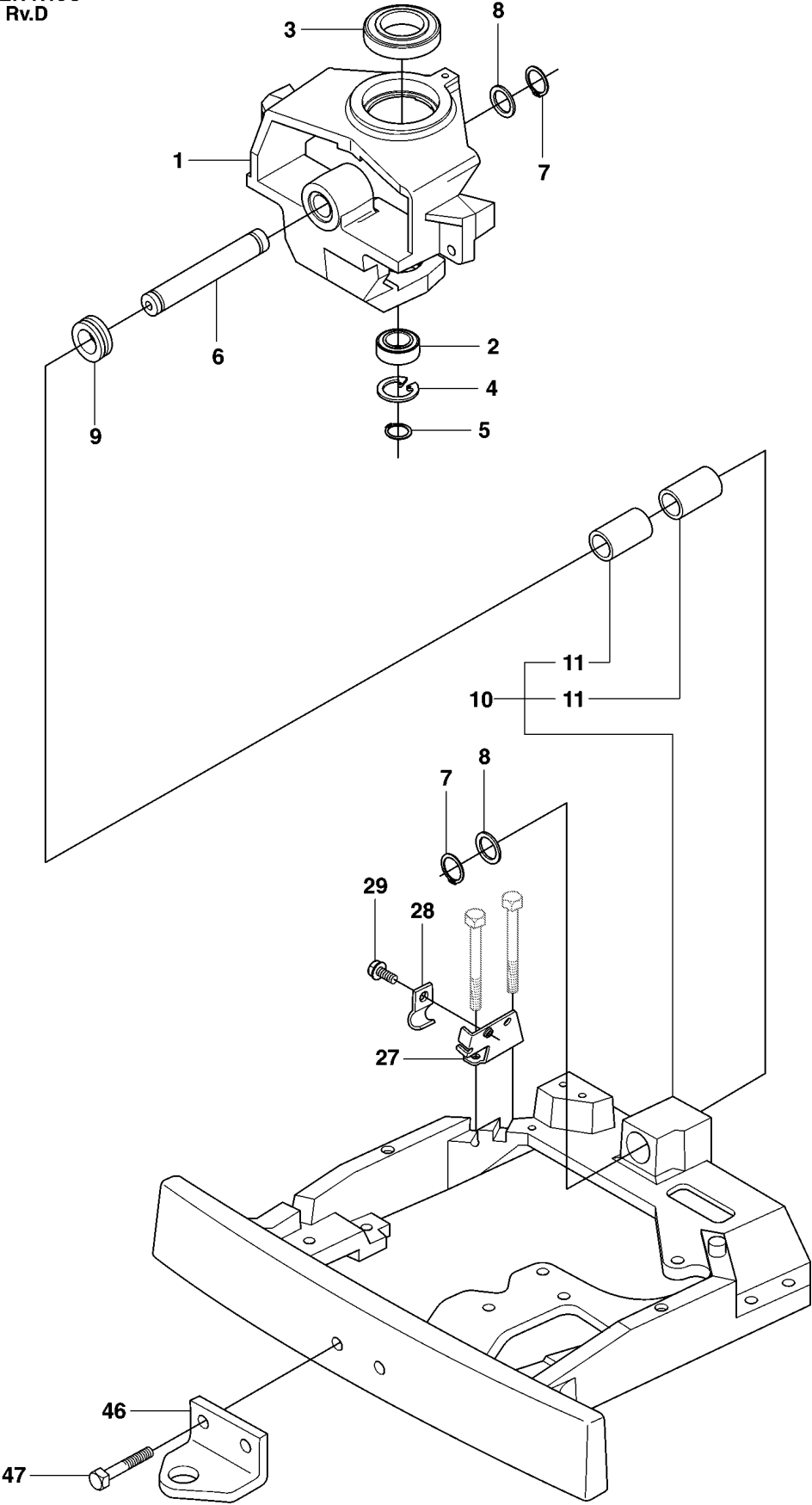


ENGINE

RIDER 15 C, 965094401, 2007-01

Ref	Part No	Description	Remark	QTY KIT
1	535 49 49-01	ENGINE		1
2	725 24 57-51	SCREW		4
3	734 11 64-01	WASHER		3
4	735 21 64-00	LOCKWASHER		1
5	731 23 18-01	HEXAGON NUT		4
6	535 50 06-01	EXHAUST PIPE ASSY		1
7	506 91 45-01	GASKET		1
8	506 55 63-01	SCREW UNC		2
9	544 33 57-01	MUFFLER ASSY		1
10	725 23 64-61	SCREW EHHFT		2
11	506 66 84-01	CLAMP ASSY		1
12	544 24 83-01	HEAT PROTECTOR		1
13	506 59 74-01	SCREW EHHFM		2
14	506 83 94-01	SPRING WASHER		2
1	544 45 28-01	ENGINE		1
2	725 24 57-51	SCREW		4
3	734 11 64-01	WASHER		3
4	735 21 64-00	LOCKWASHER		1
5	731 23 18-01	HEXAGON NUT		4
6	535 50 06-02	EXHAUST PIPE ASSY		1
7	506 91 45-01	GASKET		1
8	506 55 63-01	SCREW UNC		2
9	544 33 57-01	MUFFLER ASSY		1
10	725 23 64-61	SCREW EHHFT		2
11	506 66 84-01	CLAMP ASSY		1
12	544 24 83-01	HEAT PROTECTOR		1
13	506 59 74-01	SCREW EHHFM		2
14	506 83 94-01	SPRING WASHER		2

J1 965 09 43-01 RIDER R13C
965 09 44-01 RIDER R15C
TRANSMISSION, Rv.D

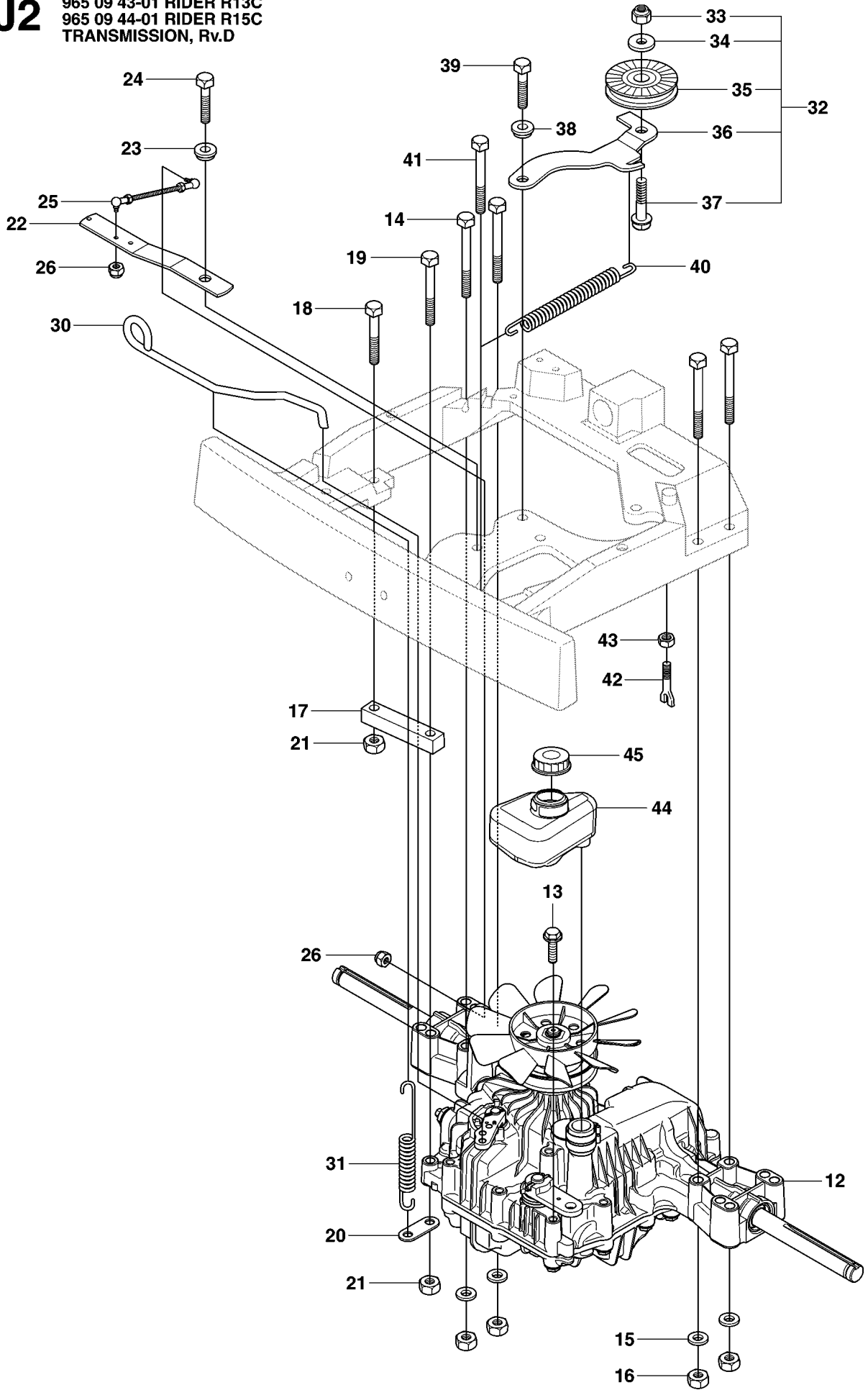


TRANSMISSION

RIDER 15 C, 965094401, 2007-01

Ref	Part No	Description	Remark	QTY KIT
1	506 98 58-03	SPINDLE		1
2	738 21 05-04	BALL BEARING		1
3	738 21 10-04	BALL BEARING		1
4	735 31 40-10	CIRCLIP		1
5	735 31 26-00	CIRCLIP		1
6	506 98 59-01	SWING AXLE		1
7	735 31 26-00	CIRCLIP		2
8	506 77 34-01	WASHER		2
9	740 68 14-21	V-RING		1
10	535 40 60-01	BRACKET		1
11	506 98 61-02	GLIDLAGER		2
27	506 98 77-01	BRACKET		1
28	506 56 65-01	CLIP		1
29	725 23 64-61	SCREW EHHFT		1
46	506 88 99-01	HITCH		1
47	725 24 93-71	SCREW EHHM		2

J2 965 09 43-01 RIDER R13C
965 09 44-01 RIDER R15C
TRANSMISSION, Rv.D

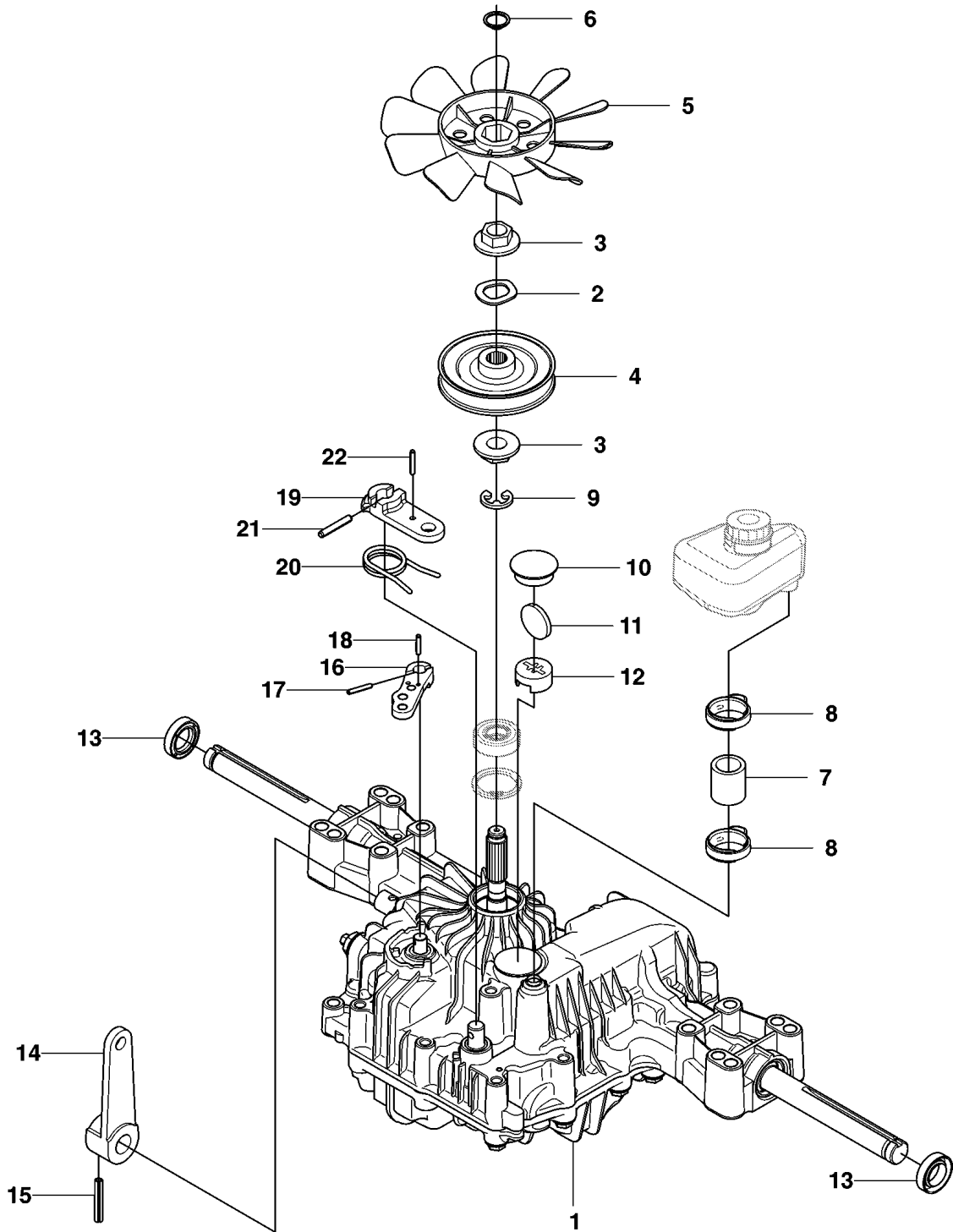


TRANSMISSION

RIDER 15 C, 965094401, 2007-01

Ref	Part No	Description	Remark	QTY KIT
12	506 98 63-01	TRANSMISSION		1
13	506 55 83-02	SCREW EHHFT		1
14	725 24 67-51	SCREW EHHM		4
15	734 11 64-01	WASHER		4
16	731 23 18-01	HEXAGON NUT		4
17	506 98 72-01	MOMENTFÄSTE		1
18	725 24 59-51	SCREW EHHM		1
19	725 24 62-51	SCREW EHHM		1
20	506 59 93-01	LINK		1
21	731 23 18-01	HEXAGON NUT		2
22	506 98 74-03	LEVER		1
23	506 91 87-02	WASHER		1
24	725 24 51-51	SCREW		1
25	506 98 75-01	ADJUSTMENT ROD		1
26	732 21 14-01	LOCK NUT		2
30	506 98 82-01	FRIKOPPLINGSSTÅNG		1
31	506 83 43-01	SPRING		1
32	506 98 84-01	BELT TENSIONER ASSY		1
33	506 98 85-01	BELT TENSIONER		1
34	506 94 69-01	PULLEY		1
35	725 24 55-51	SCREW		1
36	734 11 64-41	WASHER		1
37	732 21 18-01	LOCK NUT		1
38	506 91 87-02	WASHER		1
39	725 24 51-51	SCREW		1
40	506 98 86-01	SPRING		1
41	725 24 64-51	SCREW EHHM		1
42	506 98 88-01	PENDULUM		1
43	731 23 20-51	HEXAGON NUT		1
44	506 98 90-01	EXPANSION TANK		1
45	506 98 80-01	TANK CAP ASSY		1

K 965 09 43-01 RIDER R13C
965 09 44-01 RIDER R15C
HYDROSTAT K46 EU Rv.A

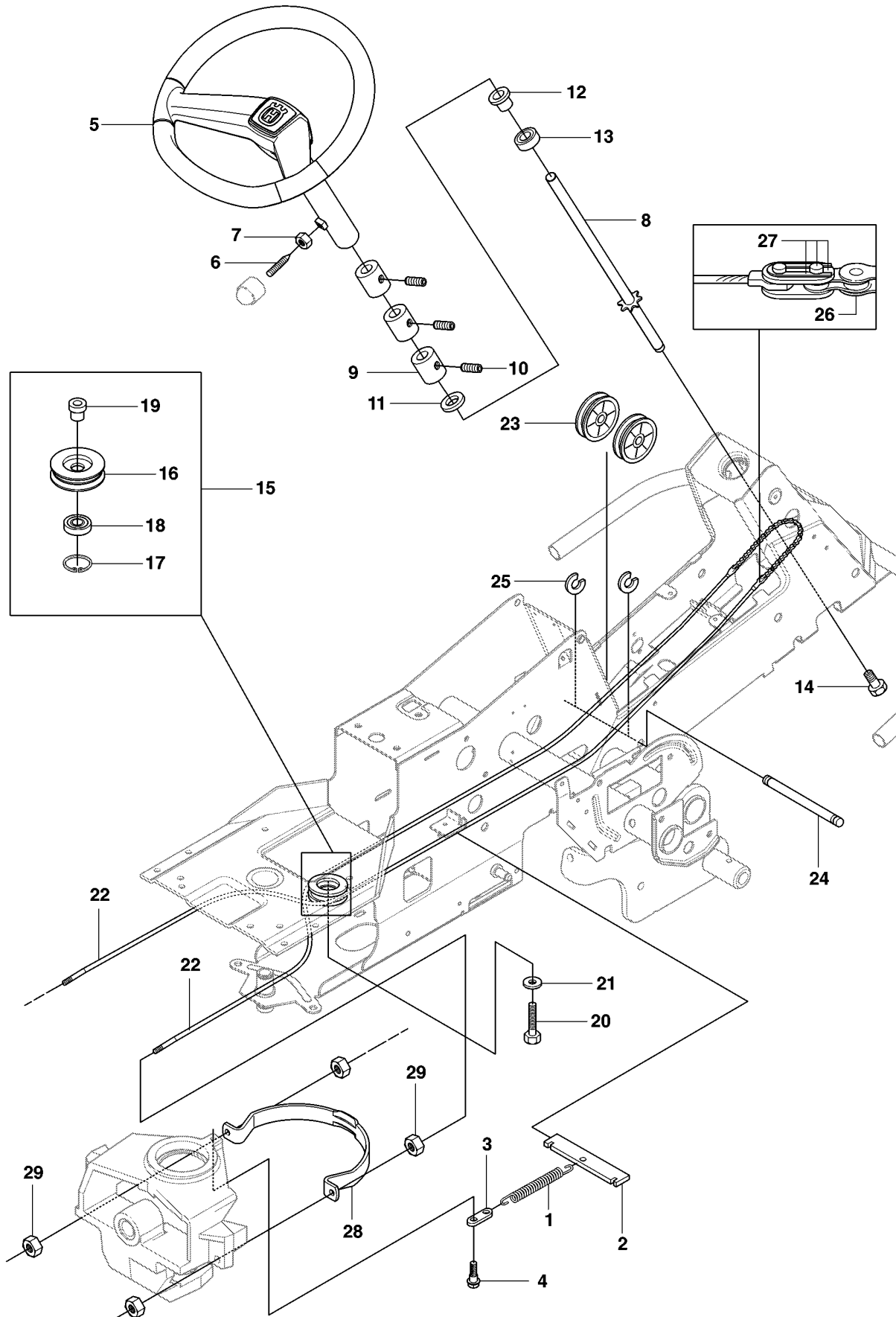


TRANSMISSION

RIDER 15 C, 965094401, 2007-01

Ref	Part No	Description	Remark	QTY KIT
1	506 98 64-01	TRANSMISSION		1
2	506 98 65-01	SPRING WASHER		1
3	506 98 66-01	DISTANCE		2
4	506 98 67-01	PULLEY		1
5	506 98 68-01	FAN		1
6	735 31 15-00	CIRCLIP		1
7	506 98 69-01	HOSE		1
8	506 98 70-01	HOSE CLAMP		2
9	735 31 28-00	CIRCLIP		1
10	535 40 28-32	PLUG		1
11	535 40 28-29	MAGNET		1
12	535 40 28-30	HOLDER		1
13	535 40 28-37	SEALING		2
14	535 40 28-35	LEVER		1
15	535 40 28-09	PIN RETAINING SCREW		1
16	535 40 28-17	LEVER		1
17	535 40 28-16	PIN RETAINING SCREW		1
18	535 40 28-33	PIN RETAINING SCREW		1
19	535 40 28-41	PIN RETAINING SCREW		1
20	535 40 28-39	RETURN SPRING		1
21	535 40 28-40	PIN RETAINING SCREW		1
22	535 40 28-41	PIN RETAINING SCREW		1

L 965 09 43-01 RIDER R13C
965 09 44-01 RIDER R15C
STEERING, Rv.B

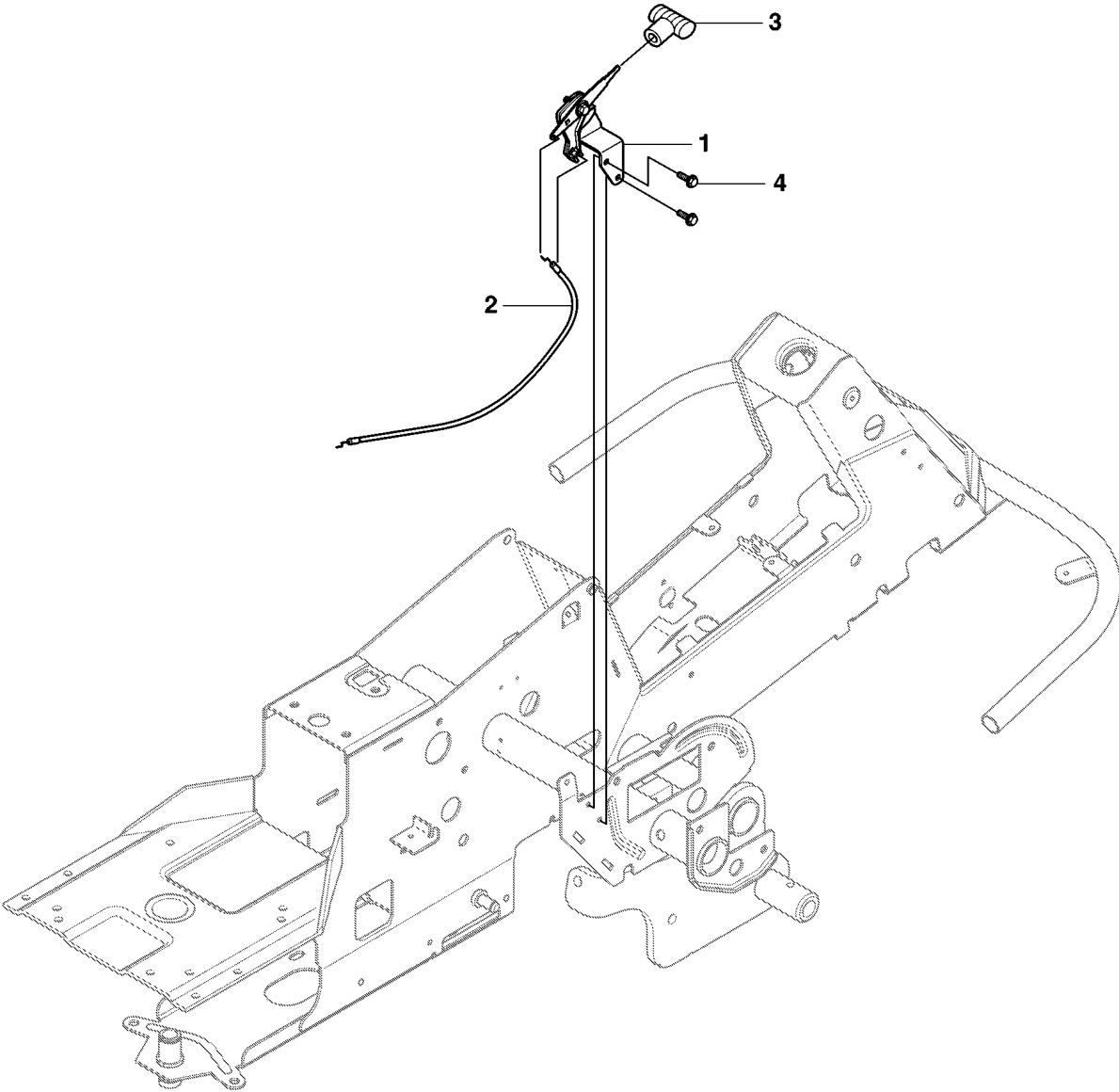


STEERING

RIDER 15 C, 965094401, 2007-01

Ref	Part No	Description	Remark	QTY KIT
1	506 67 19-01	SPRING		1
2	506 57 63-01	SPRING RETAINER		1
3	506 67 08-01	LINK		1
4	506 59 74-01	SCREW EHHFM		1
5	544 37 52-02	STEERING WHEEL		1
6	728 74 55-05	SCREW IHSETM		1
7	731 23 18-01	HEXAGON NUT		1
8	535 49 95-01	ROD STEERING ASSY		1
9	506 86 34-01	DRIVER		3
10	728 84 43-05	SCREW IHSETM		3
11	506 86 36-01	WASHER		1
12	506 88 78-01	SPACER		1
13	738 21 04-04	BALL BEARING		1
14	506 57 01-04	SCREW EHHFM		1
15	506 50 09-03	BARRING WHEEL		1
16	535 42 41-01	BARRING WHEEL		1
17	735 31 40-10	CIRCLIP		1
18	738 22 04-19	BALL BEARING		1
19	506 50 08-02	BUSHING		1
20	506 67 54-02	SCREW EHHFM		1
21	734 11 74-41	WASHER		1
22	506 58 91-04	WIRE ASSY		2
23	506 52 24-01	STARTER PULLEY		2
24	506 53 94-02	SHAFT		1
25	735 31 14-20	E-CLIP		2
26	506 55 46-01	CHAIN		1
27	506 55 47-01	LINKAGE		2
28	544 42 73-01	WIRE GUIDE		1
29	731 23 20-51	HEXAGON NUT		4

M 965 09 43-01 RIDER R13C
965 09 44-01 RIDER R15C
CONTROLS, Rv.C

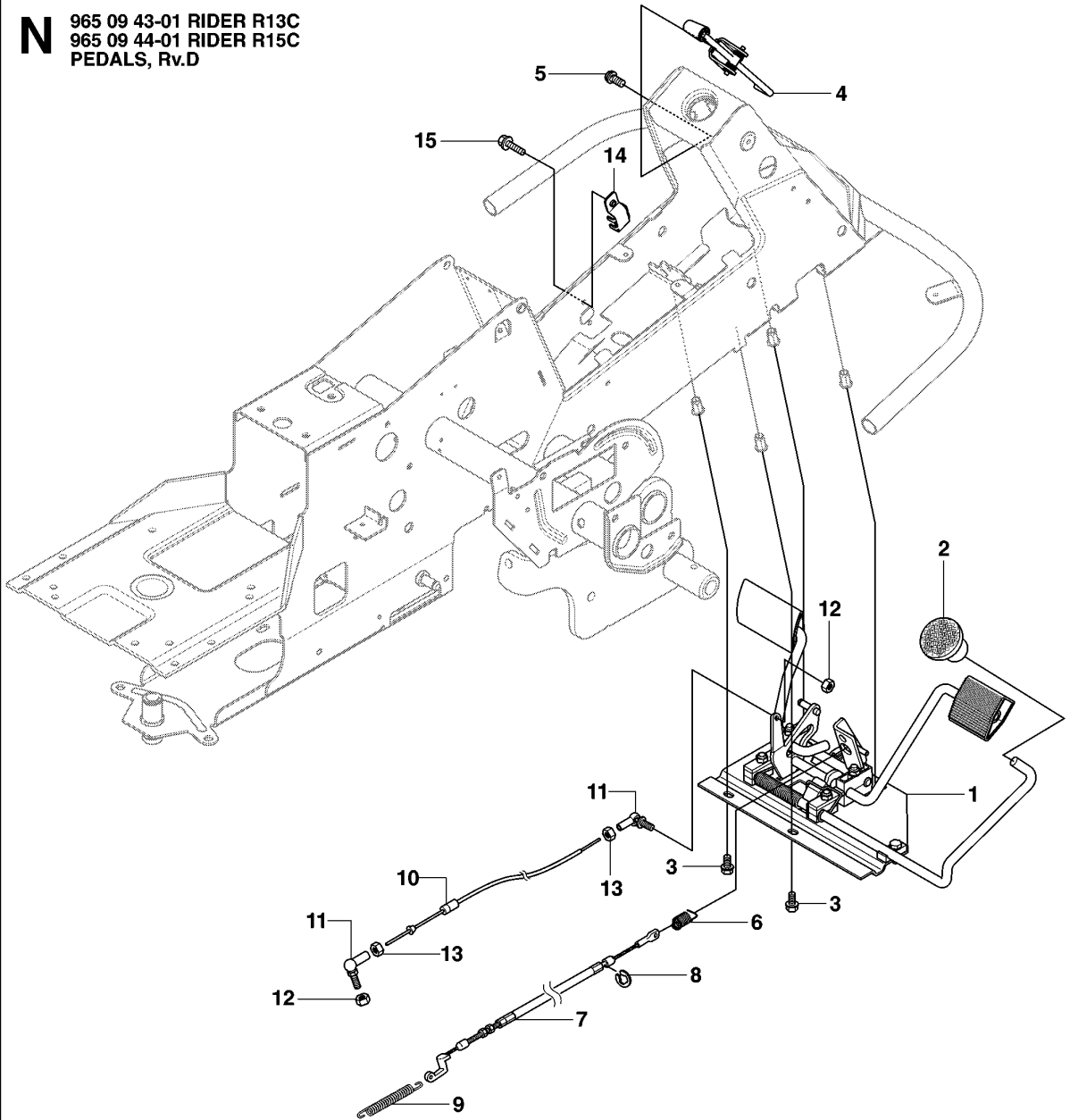


CONTROLS

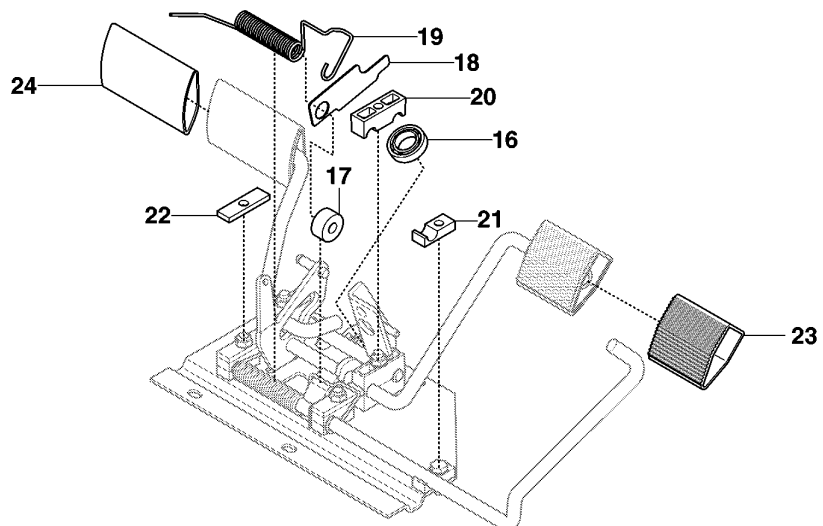
RIDER 15 C, 965094401, 2007-01

Ref	Part No	Description	Remark	QTY KIT
1	544 30 15-01	THROTTLE CONTROL ASSY		1
2	544 30 17-01	WIRE		1
3	506 88 91-01	KNOB		1
4	725 23 68-61	SCREW EHHFT		2

N 965 09 43-01 RIDER R13C
965 09 44-01 RIDER R15C
PEDALS, Rv.D



PEDALS, Rv.A



PEDALS

RIDER 15 C, 965094401, 2007-01

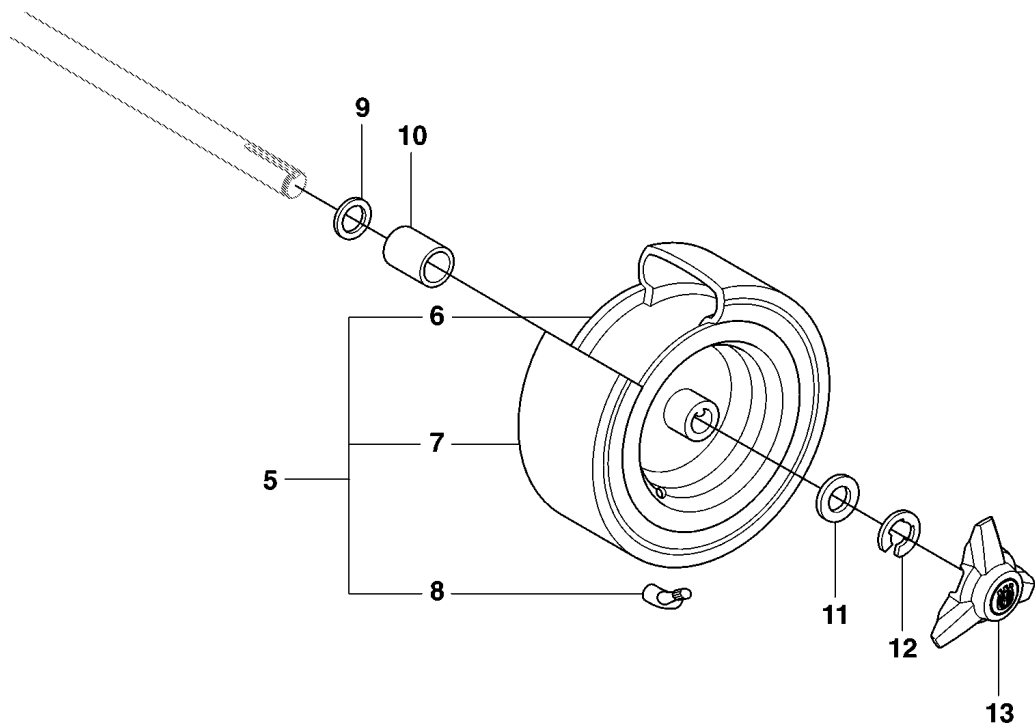
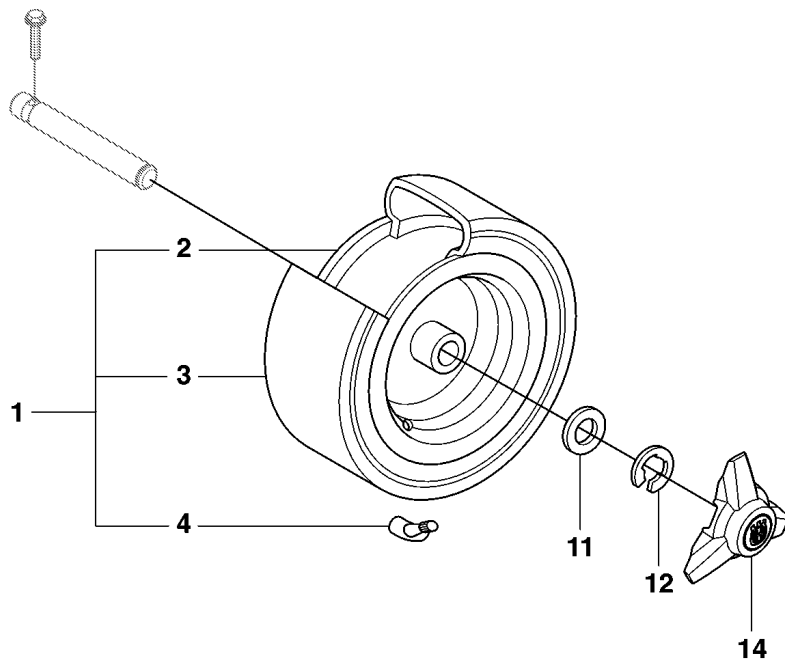
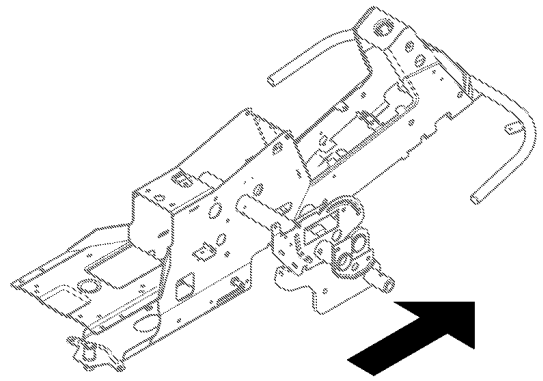
Ref	Part No	Description	Remark	QTY KIT
1	544 12 60-01	PEDAL PLATE ASSY		1
2	535 47 37-01	KNOB		1
3	506 57 01-04	SCREW EHHFM		4
4	544 40 31-01	BRAKE LEVER ASSY		1
5	725 23 64-61	SCREW EHHFT		2
6	506 94 63-01	BRAKE SPRING		1
7	506 99 27-01	BRAKE WIRE		1
8	735 31 09-20	E-CLIP		1
9	506 53 56-03	DRAW SPRING		1
10	506 82 72-02	CONTROL CABLE		1
11	506 55 73-01	VINKELL.AS8 DIN71802		2
12	732 21 14-01	LOCK NUT		2
13	731 23 14-01	HEXAGON NUT		2
14	544 34 17-01	BRACKET		1
15	725 23 64-61	SCREW EHHFT		1
16	738 21 02-04	BALL BEARING		1
17	535 48 02-01	ROLLER		1
18	535 48 06-01	PROTECTIVE PLATE		1
19	535 48 07-01	SPRING		1
20	535 48 08-01	BEARING SUPPORT		4
21	535 48 09-01	BEARING SUPPORT		1
22	535 48 10-01	REINFORCEMENT PLATE		1
23	535 47 88-01	PEDAL RUBBER		1
24	535 47 88-02	PEDAL RUBBER		1

ELECTRICAL

RIDER 15 C, 965094401, 2007-01

Ref	Part No	Description	Remark	QTY KIT
1	506 78 88-01	BATTERY		1
2	535 44 11-01	BATTERY MAT		1
3	506 80 99-01	BATTERY COVER		1
4	506 83 68-02	BELT		1
5	725 23 70-71	SCREW EHHM		1
6	731 23 16-01	HEXAGON NUT		1
7	725 23 64-61	SCREW EHHFT		1
8	506 89 98-01	NUT		1
9	544 96 76-01	CABLE		1
10	544 44 21-01	IGNITION SWITCH		1
11	544 44 22-01	IGNITION SWITCH		1
12	544 44 23-01	NUT		1
13	544 44 24-01	IGNITION KEY		1
14	544 92 63-01	WIRING		1
15	544 92 86-01	CABLE		1
16	544 92 61-01	CABLE		1
17	544 43 98-01	RELAY		1
18	506 89 98-01	NUT		2
19	544 89 22-01	WIRING		1
20	506 90 93-01	PLATE SPRING		1
21	722 78 39-02	BLIND RIVET		2
22	535 46 91-01	SWITCH		1
23	544 44 07-01	RIVET		2
24	506 90 96-01	SWITCH		1
25	506 90 97-01	SPRING WASHER		1
26	544 44 12-01	SPRING		1
27	506 90 99-02	SPACING TUBE		1
28	725 24 60-51	SCREW EHHM		1
29	734 11 64-01	WASHER		1
30	544 41 55-01	SWITCH		1
31	544 41 57-01	BRACKET		1
32	544 44 07-01	RIVET		2

Q 965 09 43-01 RIDER R13C
965 09 44-01 RIDER R15C
WHEELS & TIRES, Rv.J

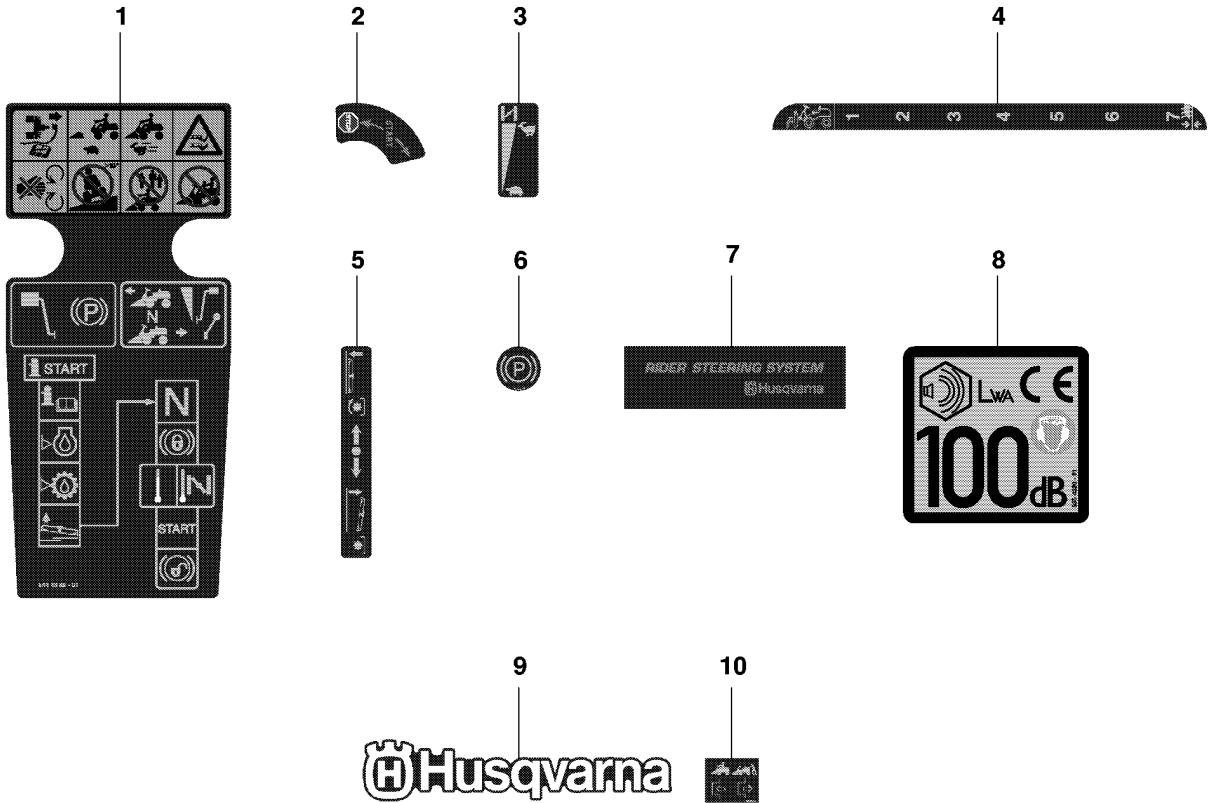


WHEELS & TIRES

RIDER 15 C, 965094401, 2007-01

Ref	Part No	Description	Remark	QTY KIT
1	544 12 62-01	WHEEL		2
2	544 11 43-01	RIM		1
3	535 46 00-01	TYRE		1
4	506 57 43-01	VALVE ASSY		1
5	544 12 63-01	WHEEL		2
6	544 11 42-01	RIM		1
7	535 46 00-01	TYRE		1
8	506 57 43-01	VALVE ASSY		1
9	506 50 48-03	WASHER		2
10	506 59 62-03	SPACING SLEEVE		2
11	506 50 48-05	WASHER		4
12	506 89 90-01	E-CLIP		4
13	544 35 35-01	HUB CAP		2
14	544 35 35-02	HUB CAP		2

R 965 09 43-01 RIDER R13C
965 09 44-01 RIDER R15C
DECALS, Rv.H R13C
DECALS, Rv.H R15C



11



12



13



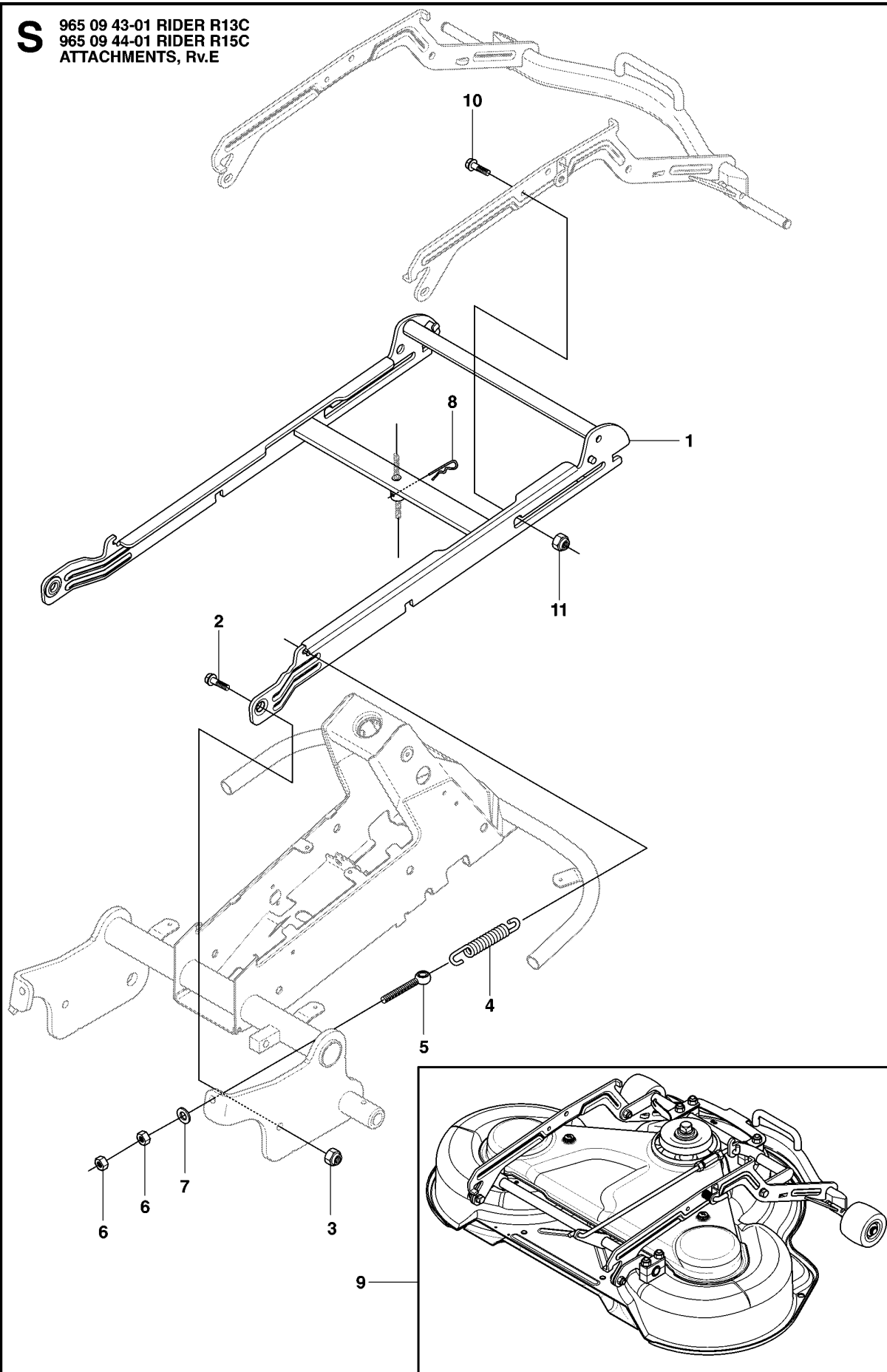
14

DECALS

RIDER 15 C, 965094401, 2007-01

Ref	Part No	Description	Remark	QTY KIT
1	544 43 86-01	LABEL		1
2	544 43 87-01	LABEL		1
3	544 43 88-01	LABEL		1
4	544 43 90-01	LABEL		1
5	544 43 92-01	LABEL		1
6	506 58 45-01	LABEL		1
7	544 83 36-01	LABEL		1
8	535 43 20-01	DECAL		1
9	544 39 11-02	LABEL		1
10	506 94 47-01	HYDROSTATIC LABEL		1
11	544 43 94-01	LABEL		1
12	544 43 94-02	LABEL		1
1	544 43 86-01	LABEL		1
2	544 43 87-01	LABEL		1
3	544 43 88-01	LABEL		1
4	544 43 90-01	LABEL		1
5	544 43 92-01	LABEL		1
6	506 58 45-01	LABEL		1
7	544 83 36-01	LABEL		1
8	535 43 20-01	DECAL		1
9	544 39 11-02	LABEL		1
10	506 94 47-01	HYDROSTATIC LABEL		1
13	544 43 95-01	LABEL		1
14	544 43 95-02	LABEL		1

S 965 09 43-01 RIDER R13C
 965 09 44-01 RIDER R15C
 ATTACHMENTS, Rv.E

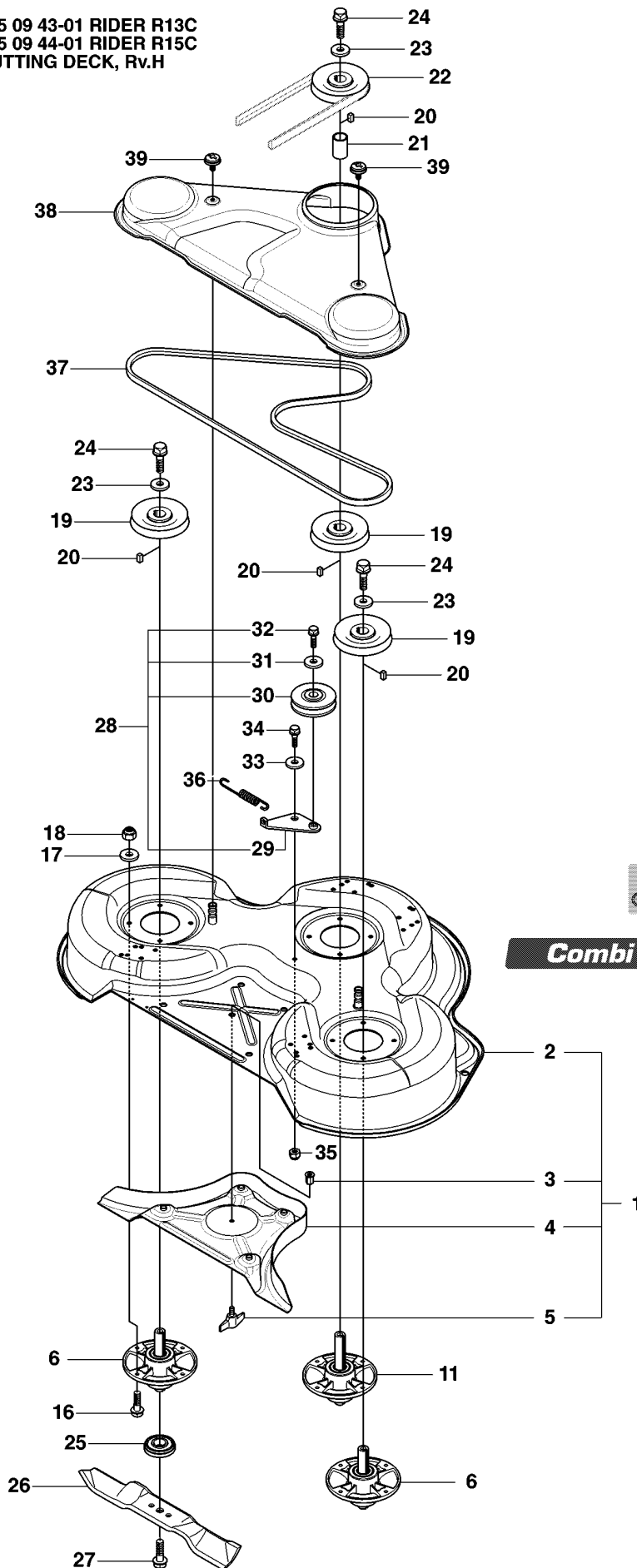


ATTACHMENTS

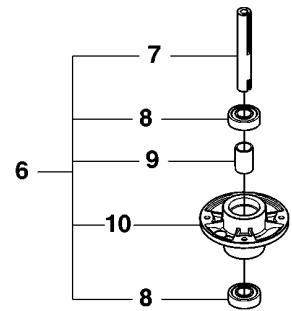
RIDER 15 C, 965094401, 2007-01

Ref	Part No	Description	Remark	QTY KIT
1	544 21 27-01	EQUIPMENT FRAME		1
2	506 89 58-01	COLLAR SCREW		2
3	732 25 22-01	HEXAGON LOCKING NUT		2
4	506 83 76-01	SPRING		2
5	506 83 77-01	RING BOLT		2
6	731 23 20-51	HEXAGON NUT		4
7	734 11 72-01	WASHER		2
8	506 96 66-01	HAIR PIN COTTER		1
9	544 43 79-01	CUTTING DECK		1
10	544 36 24-01	SCREW		2
11	732 21 18-01	LOCK NUT		2

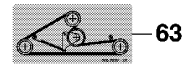
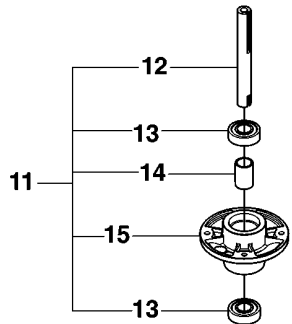
T2 965 09 43-01 RIDER R13C
 965 09 44-01 RIDER R15C
 CUTTING DECK, Rv.H



Yttre.
 Outer.
 Extérieur.
 Ausser.
 Ulko.



Mitten.
 Centre.
 Centre.
 Zentrum.
 Keski.



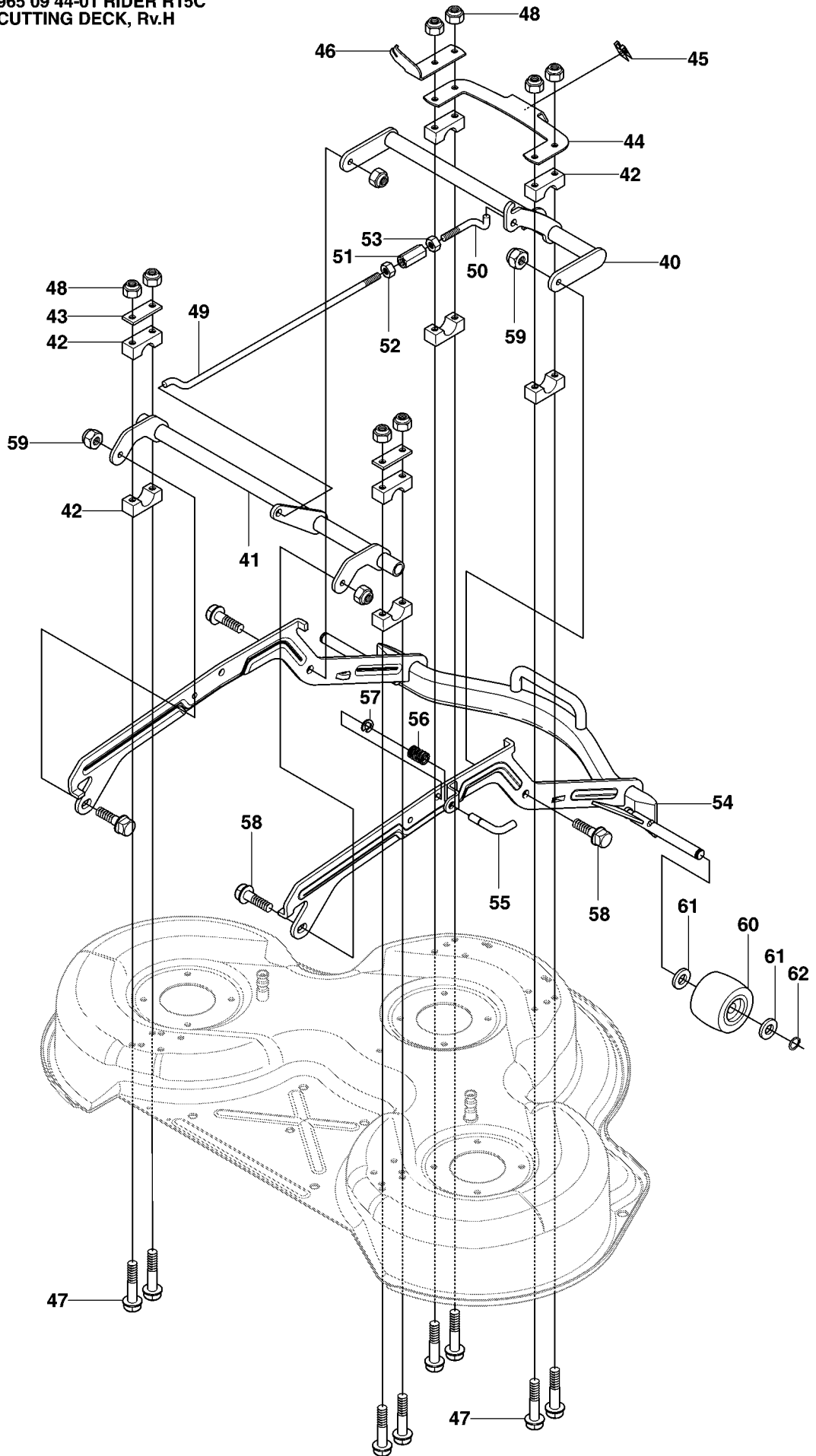
Combi 94 64

MOWER DECK / CUTTING DECK

RIDER 15 C, 965094401, 2007-01

Ref	Part No	Description	Remark	QTY KIT
1	544 06 57-04	CUTTING DECK		1
2	544 06 55-06	DECK SHELL ASSY		1
3	506 91 62-01	NUT		1
4	544 06 58-01	PLUG		1
5	544 06 61-01	KNOB		1
6	544 06 59-01	BLADE HOUSING ASSY		2
7	544 06 79-02	SHAFT		1
8	738 23 04-34	BALL BEARING		2
9	544 06 80-01	SPACING SLEEVE		1
10	544 06 78-01	BEARING HOUSING		1
11	544 06 59-03	BLADE HOUSING ASSY		1
12	544 06 79-01	SHAFT		1
13	738 23 04-34	BALL BEARING		2
14	544 06 80-01	SPACING SLEEVE		1
15	544 06 78-01	BEARING HOUSING		1
16	535 42 38-01	SCREW RSQM		12
17	734 11 64-01	WASHER		12
18	732 21 18-01	LOCK NUT		12
19	506 92 21-01	PULLEY		3
20	506 53 35-01	PARALLEL KEY		4
21	544 06 80-03	SPACING SLEEVE		1
22	506 77 86-01	PULLEY		1
23	734 11 74-41	WASHER		3
24	506 67 54-02	SCREW EHHFM		3
25	544 06 49-01	BLADE HOLDER		3
26	579 65 25-10	BLADE		3
27	506 67 54-02	SCREW EHHFM		3
28	506 79 73-01	BELT TENSIONER ASSY		1
29	506 79 71-01	SPÄNNARM KPL.		1
30	506 79 32-01	BELT TENSIONER WHEEL		1
31	734 11 64-41	WASHER		1
32	506 55 83-02	SCREW EHHFT		1
33	506 91 87-02	WASHER		1
34	725 24 51-71	SCREW EHHM		1
35	732 21 18-01	LOCK NUT		1
36	506 53 31-01	SPRING		1
37	544 06 81-01	BELT		1
38	544 06 63-01	BELT COVER		1
39	544 40 05-01	SCREW		2
63	506 78 97-01	LABEL		1
64	544 23 81-01	LABEL		1

T1 965 09 43-01 RIDER R13C
965 09 44-01 RIDER R15C
CUTTING DECK, Rv.H



MOWER DECK / CUTTING DECK

RIDER 15 C, 965094401, 2007-01

Ref	Part No	Description	Remark	QTY KIT
40	544 22 07-01	CROSS BAR		1
41	544 22 59-01	CROSS BAR		1
42	506 86 96-01	BEARING		8
43	506 81 38-01	REINFORCING PLATE		2
44	544 37 91-01	BRACKET		1
45	506 96 37-01	LÂSDON		1
46	544 22 83-01	BRACKET		1
47	725 24 61-51	SCREW EHHM		8
48	732 21 18-01	LOCK NUT		8
49	544 22 69-01	PARALLEL ROD		1
50	544 45 14-01	PARALLEL ROD		1
51	544 45 15-01	ADJUSTMENT ROD		1
52	506 89 76-01	NUT		1
53	731 23 20-51	HEXAGON NUT		1
54	544 21 33-01	DECK ATTACHMENT		1
55	544 21 39-01	LOCKING PIN		1
56	544 21 41-01	SPRING		1
57	735 31 13-20	E-CLIP		1
58	506 59 74-01	SCREW EHHFM		4
59	732 21 18-01	LOCK NUT		4
60	506 96 30-01	WHEEL ASSY		2
61	535 46 41-01	WASHER		4
62	735 31 17-00	CIRCLIP		2