

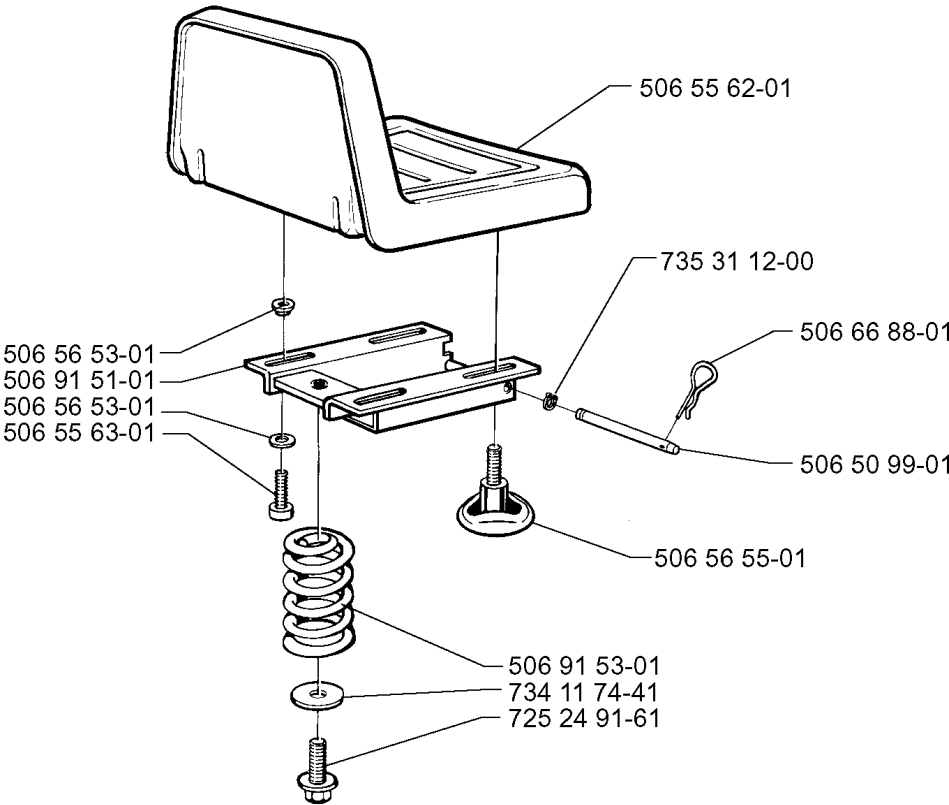


SPARE PARTS LIST

RIDERS

RIDER 850, 1998-03

A

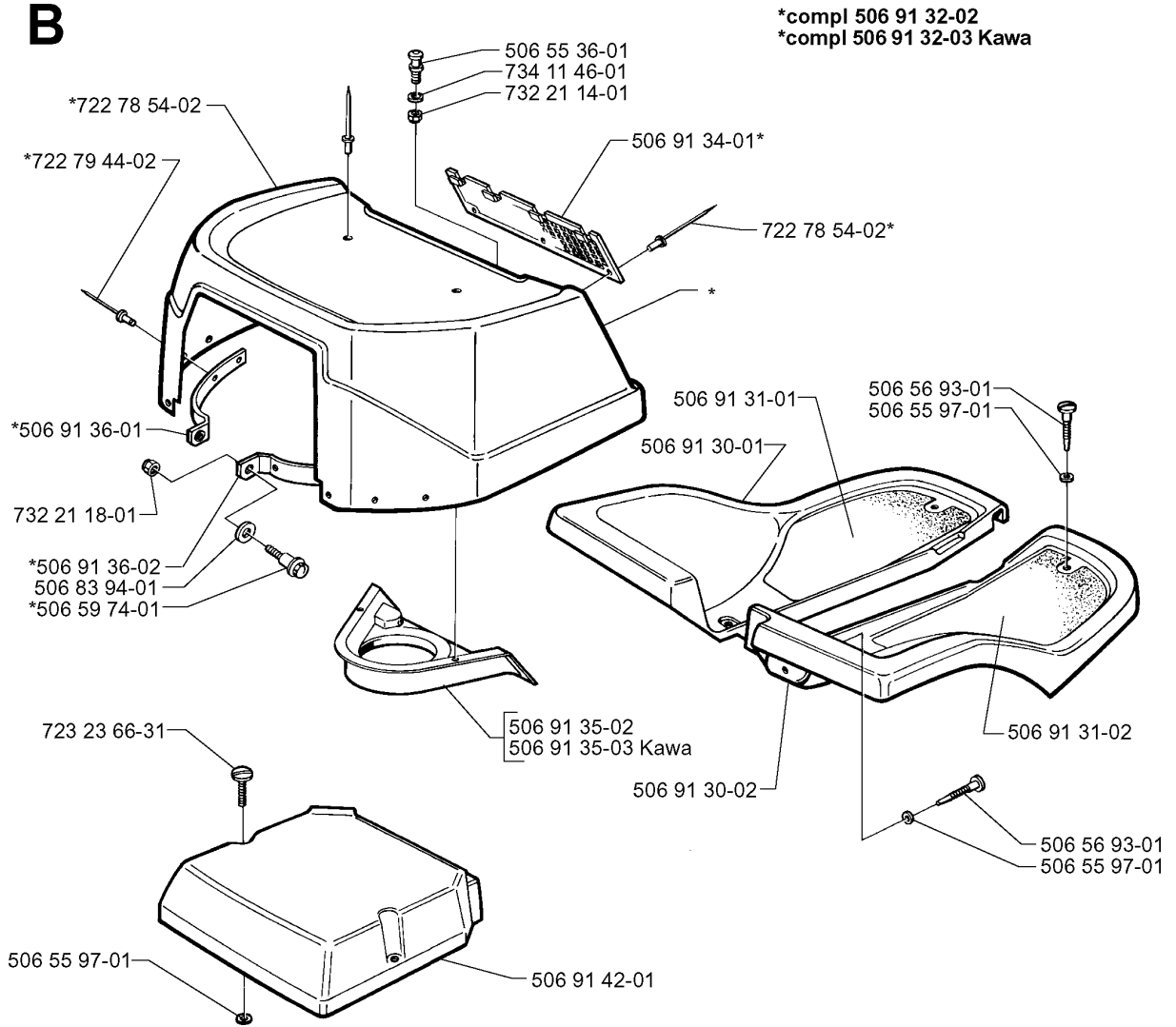


SEAT

RIDER 850, 1998-03

Part No	Description	Remark	QTY KIT
506 50 99-01	SHAFT		1
506 55 62-01	SEAT		1
506 55 63-01	SCREW UNC		1
506 56 53-01	BUSHING		1
506 56 53-01	BUSHING		1
506 56 55-01	JUSTERVRED		1
506 66 88-01	SPRING COTTER		1
506 91 51-01	SEAT BRACKET ASSY		1
506 91 53-01	COMPRESSION SPRING		1
725 24 91-61	SCREW EHHFT		1
734 11 74-41	WASHER		1
735 31 12-00	CIRCLIP		1

B

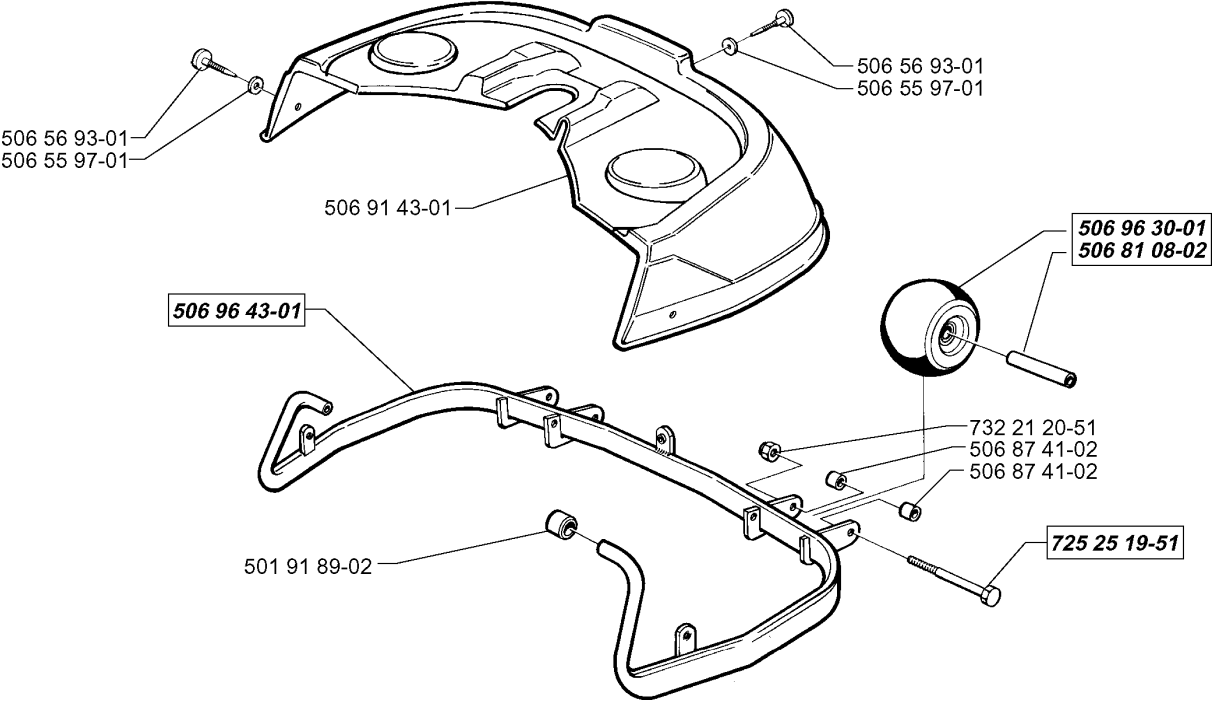


HOOD

RIDER 850, 1998-03

Part No	Description	Remark	QTY KIT
506 55 36-01	KNOB		1
506 55 97-01	WASHER		1
506 55 97-01	WASHER		1
506 55 97-01	WASHER		1
506 56 93-01	SCREW		1
506 56 93-01	SCREW		1
506 59 74-01	SCREW EHHFM		1
506 83 94-01	SPRING WASHER		1
506 91 30-01	FLYGEL V		1
506 91 30-02	FLYGEL H		1
506 91 31-01	FOTMATTA V		1
506 91 31-02	FOTMATTA H		1
506 91 32-02	ENGINE HOOD ASSY		1
506 91 32-03	ENGINE HOOD ASSY	KAWA	1
506 91 34-01	AIR GRIND		1
506 91 35-02	AIR CONDUCTOR		1
506 91 35-03	AIR CONDUCTOR	KAWA	1
506 91 36-01	BRACKET		1
506 91 36-02	BRACKET		1
506 91 42-01	COVER		1
722 78 54-02	RIVET		1
722 78 54-02	RIVET		1
722 79 44-02	RIVET		1
723 23 66-31	SCREW SLPANM		1
732 21 14-01	LOCK NUT		1
732 21 18-01	LOCK NUT		1
734 11 46-01	WASHER		1

C

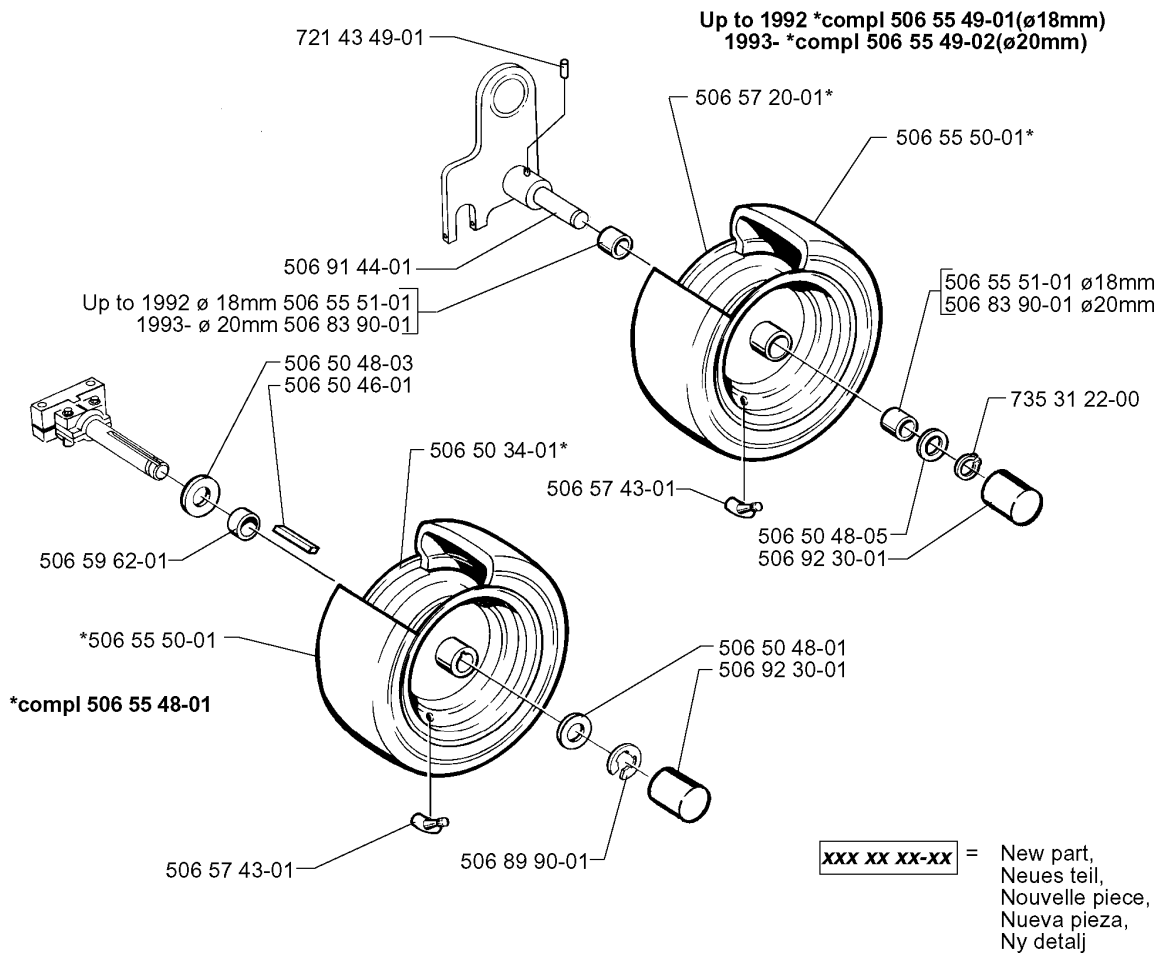


COVER

RIDER 850, 1998-03

Part No	Description	Remark	QTY KIT
501 91 89-02	SUPPORT		1
506 55 97-01	WASHER		1
506 55 97-01	WASHER		1
506 56 93-01	SCREW		1
506 56 93-01	SCREW		1
506 81 08-02	TUBE		1
506 87 41-02	SPACER		1
506 87 41-02	SPACER		1
506 91 43-01	COVER		1
506 96 30-01	WHEEL ASSY		1
506 96 43-01	PROTECTIVE TUBING		1
725 25 19-51	SCREW EHHM		1
732 21 20-51	NUT		1

D

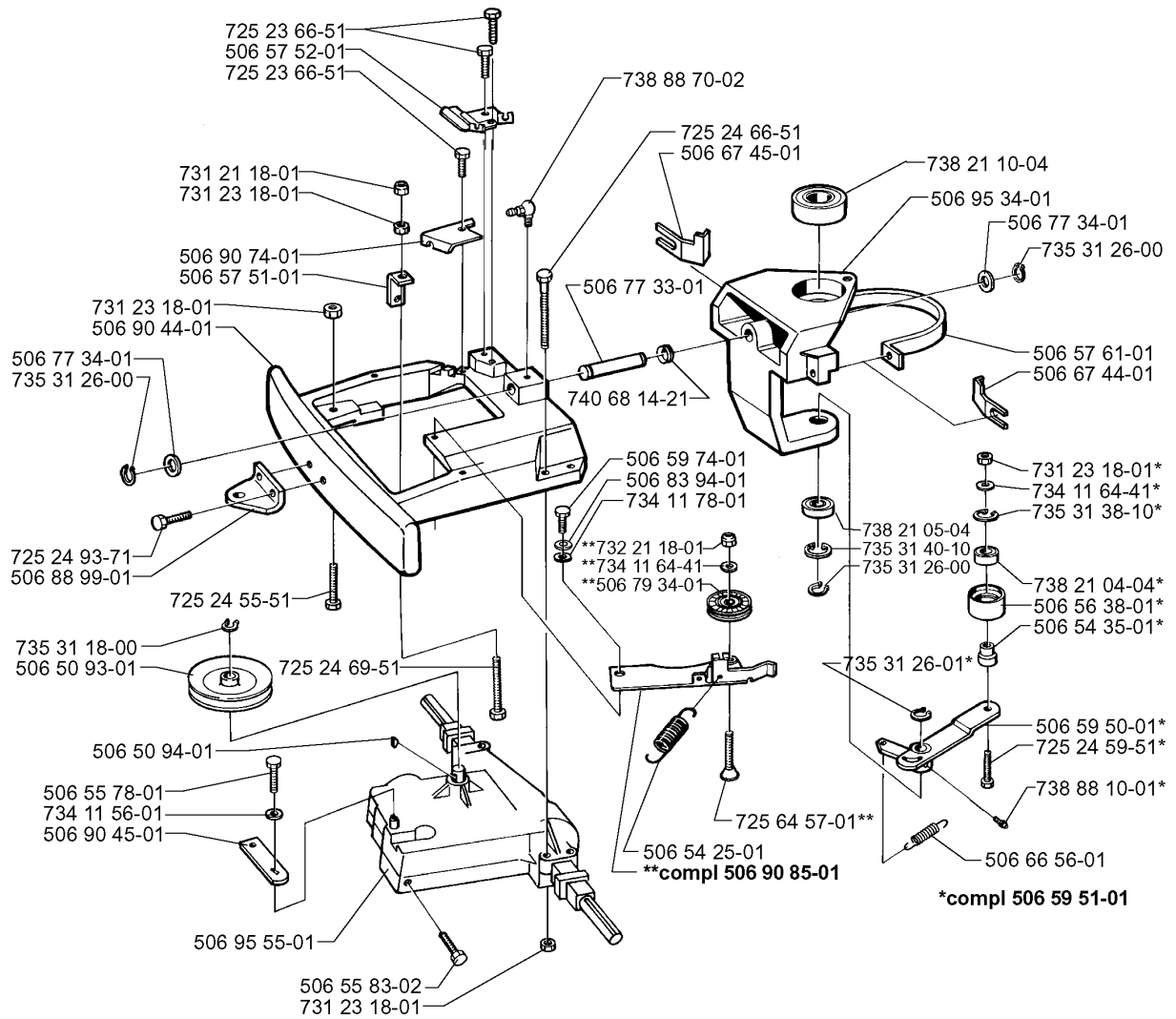


WHEELS & TIRES

RIDER 850, 1998-03

Part No	Description	Remark	QTY KIT
506 50 34-01	RIM		1
506 50 46-01	WEDGE		1
506 50 48-01	WASHER		1
506 50 48-03	WASHER		1
506 50 48-05	WASHER		1
506 55 48-01	REAR WHEEL		1
506 55 49-01	WHEEL	UP TO 1992 DIA. 18MM	1
506 55 49-02	WHEEL	1993- DIA. 20MM	1
506 55 50-01	TIRE		1
506 55 50-01	TIRE		1
506 55 51-01	GUN	UP TO 1992 DIA. 18MM	1
506 55 51-01	GUN	DIA. 18MM	1
506 57 20-01	RIM		1
506 57 43-01	VALVE ASSY		1
506 57 43-01	VALVE ASSY		1
506 59 62-01	SPACING SLEEVE		1
506 83 90-01	GUN	DIA. 20MM	1
506 83 90-01	GUN	1993- DIA. 20MM	1
506 89 90-01	E-CLIP		1
506 91 44-01	WHEEL AXLE		1
506 92 30-01	RUND FOT UKB 30 S		1
506 92 30-01	RUND FOT UKB 30 S		1
721 43 49-01	SPRING PIN		1
735 31 22-00	CIRCLIP		1

H

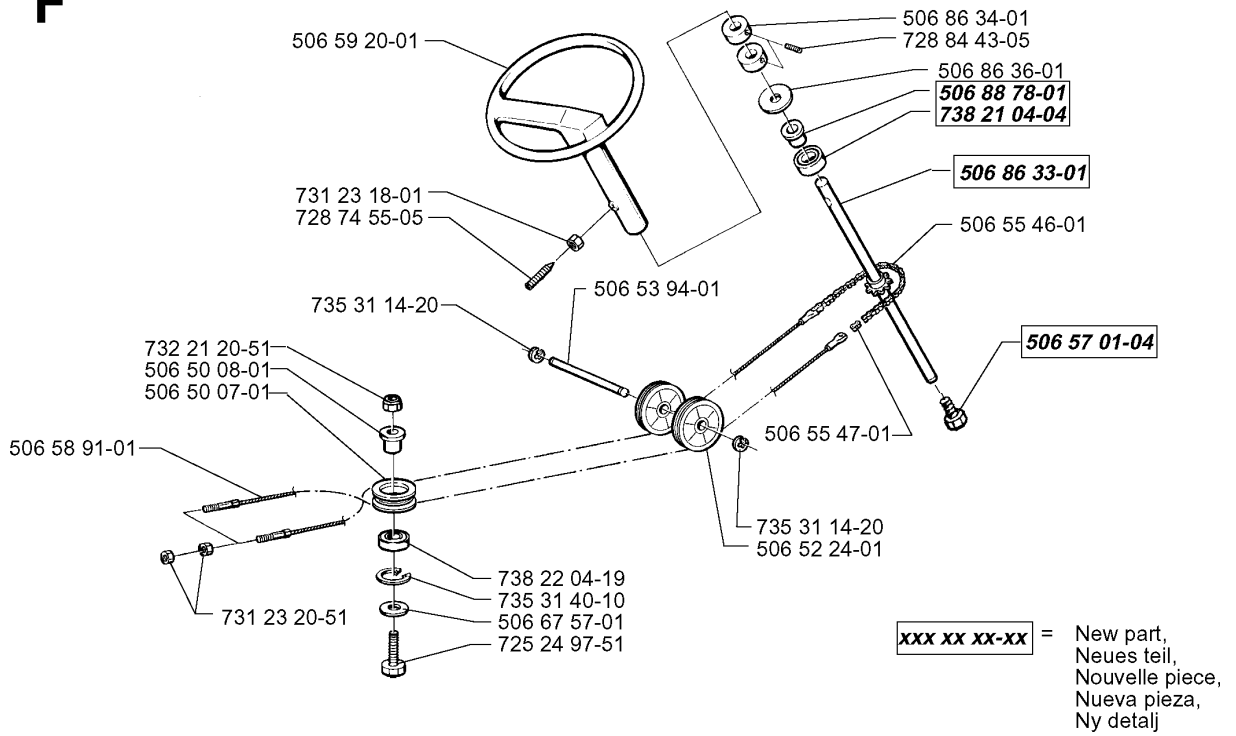


TRANSMISSION

RIDER 850, 1998-03

Part No	Description	Remark	QTY KIT
506 53 85-01	LOCKING ARM		1
506 53 86-01	BRACKET		1
506 53 87-01	CONTROL BUTTON		1
506 53 88-01	SHAFT		1
506 53 89-01	SPRING		1
506 55 60-02	SCREW UNC		1
506 57 01-03	SCREW EHHFM		1
506 57 63-01	SPRING RETAINER		1
506 57 64-01	CABLE HOLDER		1
506 58 52-01	PULLEY		1
506 59 46-01	LOCK GOLVTUNNEL		1
506 59 74-01	SCREW EHHFM		1
506 59 75-01	WASHER		1
506 66 45-01	BELT GUIDE		1
506 67 08-01	LINK		1
506 67 19-01	SPRING		1
506 67 33-01	TANK CAP ASSY		1
506 76 96-01	FUEL TANK		1
506 76 97-01	BRACKET		1
506 76 98-01	BRACKET		1
506 89 20-01	SPEED NUT		1
506 90 26-04	FRAME		1
506 90 60-01	SAFETY NEEDLE		1
506 91 37-01	COVER PLATE		1
506 91 38-01	CONTROL PLATE		1
506 91 39-01	CONTROL CAP		1
506 94 67-02	FUEL HOSE		1
506 94 68-01	TRÅDKLÄMMA		1
506 96 57-01	PLUG		1
531 00 50-13	BELT		1
531 00 50-16	BELT		1
721 61 83-01	SPLIT PIN		1
725 23 64-61	SCREW EHHFT		1
725 23 70-51	SCREW		1
725 24 49-51	SCREW		1
729 53 29-71	SCREW CRPANT		1
729 54 14-01	SCREW CRPANT		1
731 23 20-51	HEXAGON NUT		1
732 21 16-01	LOCK NUT		1
732 21 18-01	LOCK NUT		1
734 11 53-01	WASHER		1
734 11 56-01	WASHER		1
734 11 64-01	WASHER		1
735 58 35-01	WASHER		1
735 58 35-01	WASHER		1

F

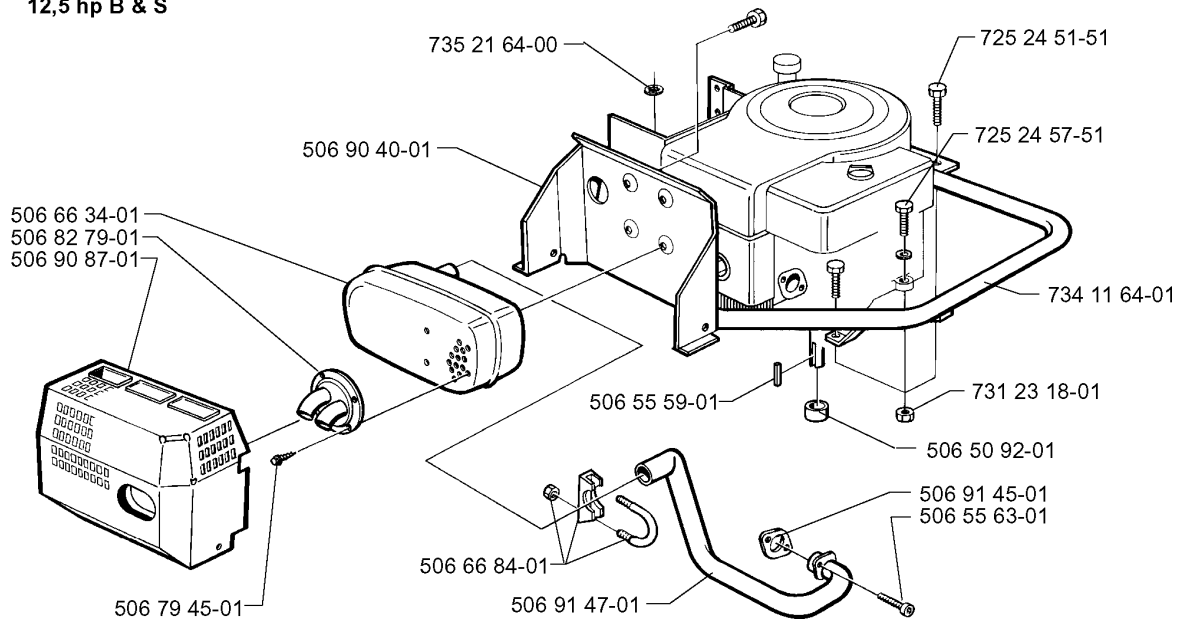


STEERING

RIDER 850, 1998-03

Part No	Description	Remark	QTY KIT
506 50 07-01	BARRING WHEEL		1
506 50 08-01	BUSHING		1
506 52 24-01	STARTER PULLEY		1
506 53 94-01	SHAFT		1
506 55 46-01	CHAIN		1
506 55 47-01	LINKAGE		1
506 57 01-04	SCREW EHHFM		1
506 58 91-01	WIRE ASSY		1
506 59 20-01	STEERING WHEEL		1
506 67 57-01	WASHER		1
506 86 33-01	ROD STEERING ASSY		1
506 86 34-01	DRIVER		1
506 86 36-01	WASHER		1
506 88 78-01	SPACER		1
725 24 97-51	SCREW		1
728 74 55-05	SCREW IHSETM		1
728 84 43-05	SCREW IHSETM		1
731 23 18-01	HEXAGON NUT		1
731 23 20-51	HEXAGON NUT		1
732 21 20-51	NUT		1
735 31 14-20	E-CLIP		1
735 31 14-20	E-CLIP		1
735 31 40-10	CIRCLIP		1
738 21 04-04	BALL BEARING		1
738 22 04-19	BALL BEARING		1

G
10,5 hp B & S
12,5 hp B & S

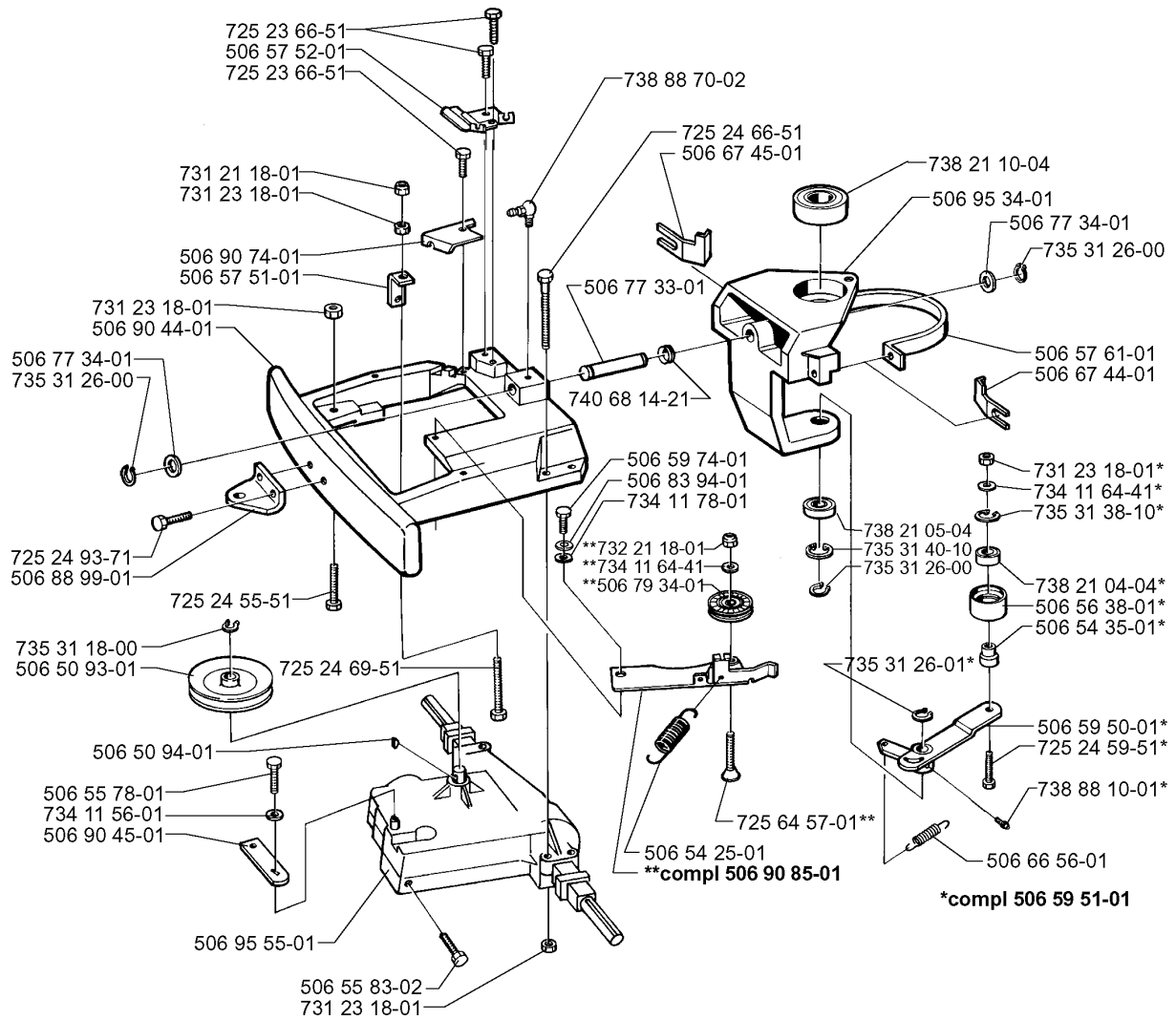


ENGINE

RIDER 850, 1998-03

Part No	Description	Remark	QTY KIT
506 50 92-01	SPACING SLEEVE		1
506 55 59-01	WEDGE		1
506 55 63-01	SCREW UNC		1
506 66 34-01	MUFFLER		1
506 66 84-01	CLAMP ASSY		1
506 79 45-01	SCREW		1
506 82 79-01	DEFLECTOR		1
506 90 40-01	RÖRBYGEL KPL		1
506 90 87-01	HEAT PROTECTOR		1
506 91 45-01	GASKET		1
506 91 47-01	EXHAUST PIPE ASSY		1
725 24 51-51	SCREW		1
725 24 57-51	SCREW		1
731 23 18-01	HEXAGON NUT		1
734 11 64-01	WASHER		1
735 21 64-00	LOCKWASHER		1

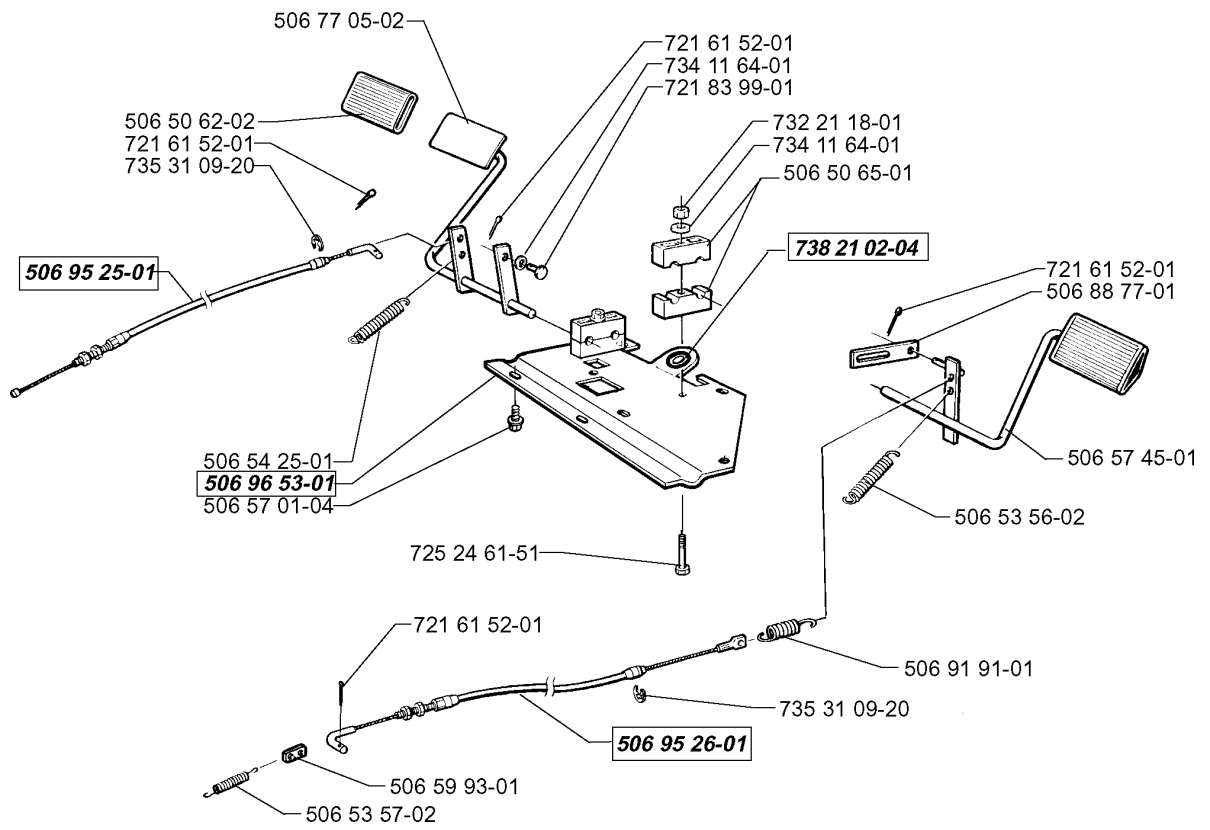
H



TRANSMISSION

RIDER 850, 1998-03

Part No	Description	Remark	QTY KIT
506 50 93-01	PULLEY		1
506 50 94-01	WOODRUFF KEY		1
506 54 25-01	SPRING		1
506 54 35-01	BUSHING		1
506 55 78-01	U6S-UNF1/4"X28 L=16		1
506 55 83-02	SCREW EHHFT		1
506 56 38-01	TENSION ROLLER		1
506 57 51-01	BRACKET		1
506 57 52-01	WIRE HOLDER		1
506 57 61-01	STYRKANS		1
506 59 50-01	LEVER		1
506 59 51-01	REMSP. KNIVDRIVNING		1
506 59 74-01	SCREW EHHFM		1
506 66 56-01	SPRING		1
506 67 44-01	BELT GUIDE		1
506 67 45-01	BELT GUIDE		1
506 77 33-01	SWING AXLE		1
506 77 34-01	WASHER		1
506 77 34-01	WASHER		1
506 79 34-01	BELT TENS WHEEL ASSY		1
506 83 94-01	SPRING WASHER		1
506 88 99-01	HITCH		1
506 90 44-01	CONSOLE		1
506 90 45-01	VÄXELARM		1
506 90 74-01	WIRE HOLDER		1
506 90 85-01	BELT TENSIONER ASSY		1
506 95 34-01	STYRSPINDEL K55		1
506 95 55-01	GEAR CASE MST 205		1
725 23 66-51	HEXAGONAL SCREW M6X12		1
725 23 66-51	HEXAGONAL SCREW M6X12		1
725 24 55-51	SCREW		1
725 24 59-51	SCREW EHHM		1
725 24 66-51	SCREW		1
725 24 69-51	SCREW EHHM		1
725 24 93-71	SCREW EHHM		1
725 64 57-01	SCREW IHCSFM		1
731 21 18-01	NUT		1
731 23 18-01	HEXAGON NUT		1
731 23 18-01	HEXAGON NUT		1
731 23 18-01	HEXAGON NUT		1
731 23 18-01	HEXAGON NUT		1
732 21 18-01	LOCK NUT		1
734 11 56-01	WASHER		1
734 11 64-41	WASHER		1
734 11 64-41	WASHER		1
734 11 78-01	WASHER		1
735 31 18-00	CIRCLIP		1
735 31 26-00	CIRCLIP		1
735 31 26-00	CIRCLIP		1
735 31 26-00	CIRCLIP		1
735 31 26-01	CIRCLIP		1
735 31 38-10	CIRCLIP		1
735 31 40-10	CIRCLIP		1
738 21 04-04	BALL BEARING		1
738 21 05-04	BALL BEARING		1
738 21 10-04	BALL BEARING		1
738 88 10-01	LUBRICATION NIPPLE		1
738 88 70-02	LUBRICATION NIPPLE		1
740 68 14-21	V-RING		1

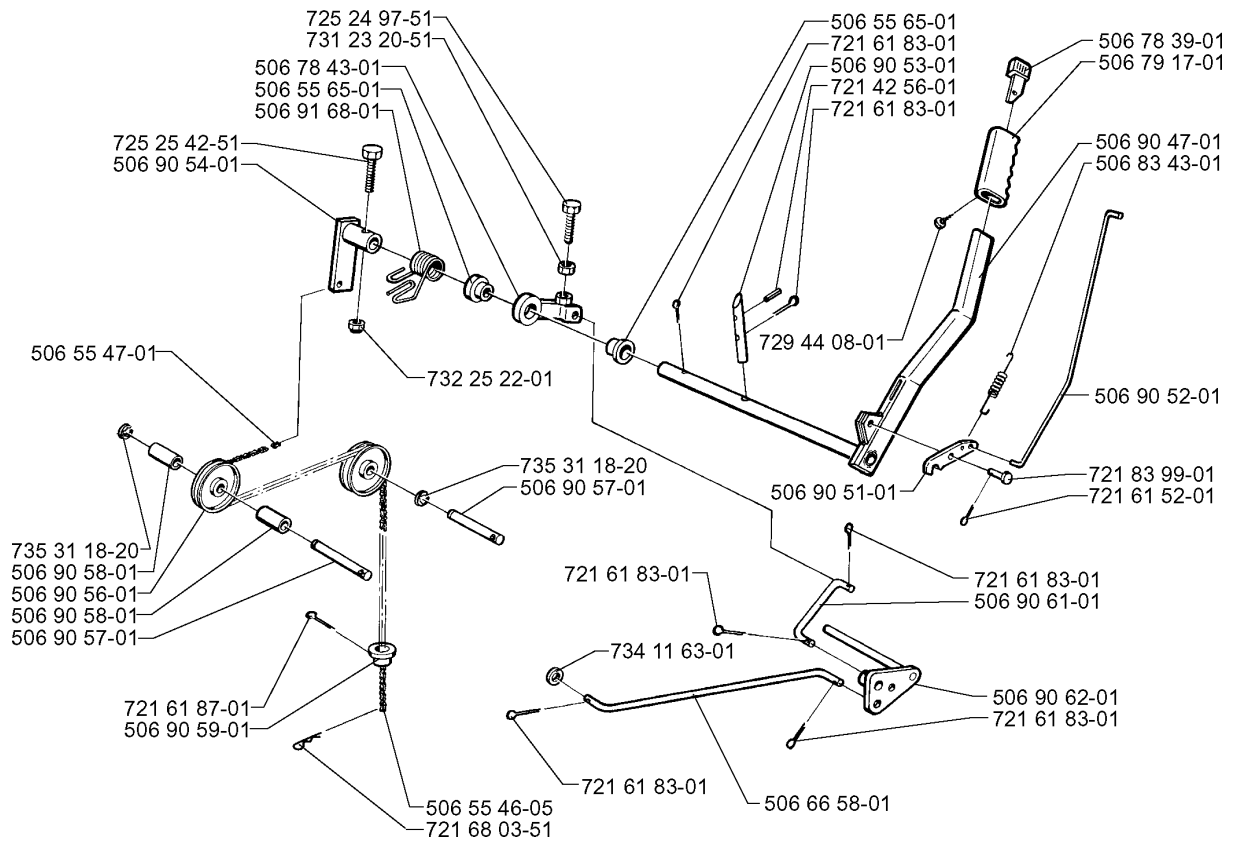


PEDALS

RIDER 850, 1998-03

Part No	Description	Remark	QTY KIT
506 50 62-02	PEDAL RUBBER		1
506 50 65-01	BEARING SUPPORT		1
506 53 56-02	SPRING		1
506 53 57-02	SPRING		1
506 54 25-01	SPRING		1
506 57 01-04	SCREW EHHFM		1
506 57 45-01	BRAKE PEDAL ASSY		1
506 59 93-01	LINK		1
506 77 05-02	CLUTCH PEDAL ASSY		1
506 88 77-01	LINK		1
506 91 91-01	BRAKE SPRING		1
506 95 25-01	WIRE ASSY		1
506 95 26-01	CABLE		1
506 96 53-01	PEDAL PLATE		1
721 61 52-01	SPLIT PIN		1
721 61 52-01	SPLIT PIN		1
721 61 52-01	SPLIT PIN		1
721 61 52-01	SPLIT PIN		1
721 83 99-01	CLEVIS PIN		1
725 24 61-51	SCREW EHHM		1
732 21 18-01	LOCK NUT		1
734 11 64-01	WASHER		1
734 11 64-01	WASHER		1
735 31 09-20	E-CLIP		1
735 31 09-20	E-CLIP		1
738 21 02-04	BALL BEARING		1

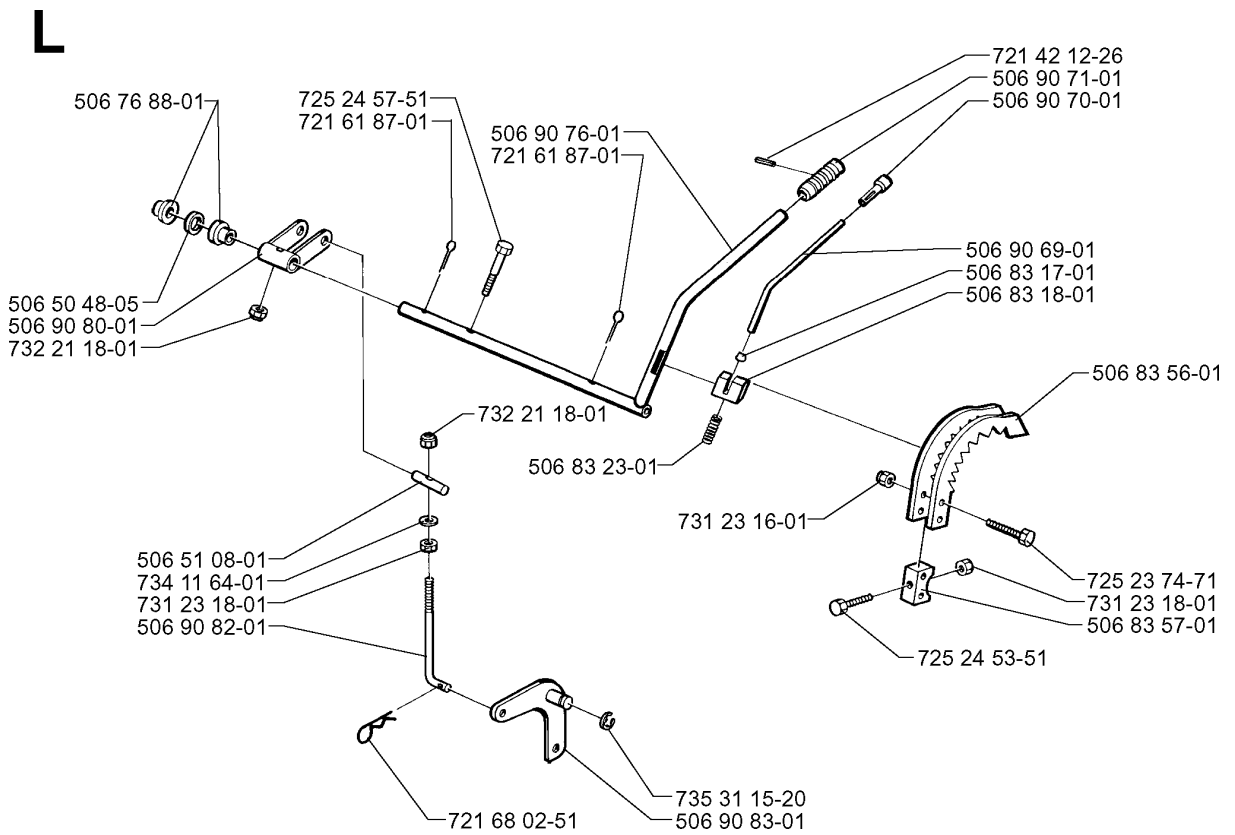
K



CONTROLS

RIDER 850, 1998-03

Part No	Description	Remark	QTY KIT
506 50 82-01	CLIP		1
506 54 63-01	LEVER THROTTLE CONTR		1
506 54 64-01	BUSHING		1
506 54 66-02	THROTTLE CABLE ASSY		1
506 55 73-01	VINKELL.AS8 DIN71802		1
506 55 73-01	VINKELL.AS8 DIN71802		1
506 56 25-01	HANDLE		1
506 56 65-01	CLIP		1
506 83 17-01	END FITTING		1
506 83 18-01	LOCK		1
506 83 23-02	COMPRESSION SPRING		1
506 90 65-01	GEAR LEVER ASSY		1
506 90 70-01	KNOB		1
506 90 71-01	HANDLE		1
506 90 73-01	VÄXELVÄLJARKABEL		1
506 90 79-01	PUSH ROD		1
721 42 12-26	SPRING PIN		1
725 23 31-51	SCREW		1
725 23 31-51	SCREW		1
725 23 64-61	SCREW EHHFT		1
731 23 14-01	HEXAGON NUT		1
731 23 14-01	HEXAGON NUT		1
731 23 14-01	HEXAGON NUT		1
732 21 14-01	LOCK NUT		1
732 21 14-01	LOCK NUT		1
732 21 14-01	LOCK NUT		1
734 48 80-01	WASHER		1
734 48 80-01	WASHER		1
737 38 11-00	DISC SPRING		1

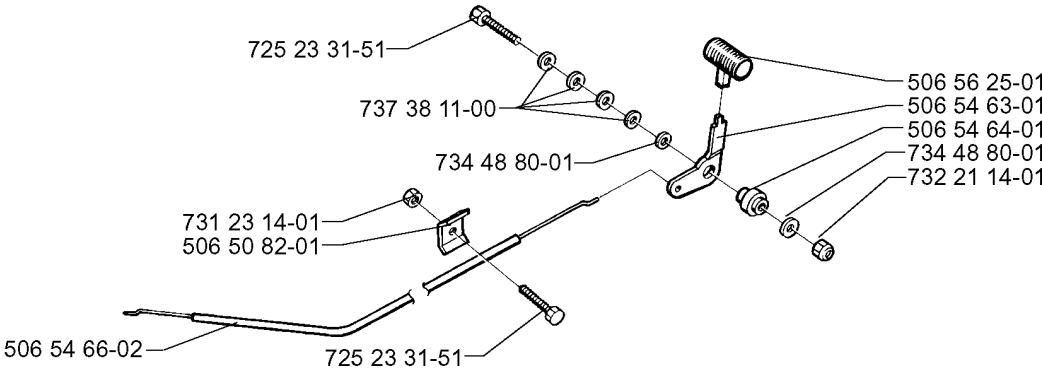


CONTROLS

RIDER 850, 1998-03

Part No	Description	Remark	QTY KIT
506 55 46-05	CHAIN		1
506 55 47-01	LINKAGE		1
506 55 65-01	BEARING		1
506 55 65-01	BEARING		1
506 66 58-01	CLUTCH ROD REAR		1
506 78 39-01	BUTTON		1
506 78 43-01	LINK ASSY		1
506 79 17-01	HANDLE		1
506 83 43-01	SPRING		1
506 90 47-01	LIFT LEVER CMPL		1
506 90 51-01	CATCH		1
506 90 52-01	PUSH ROD		1
506 90 53-01	PEN		1
506 90 54-01	LIFTING ARM		1
506 90 56-01	OFFSET PULLEY		1
506 90 57-01	SHAFT		1
506 90 57-01	SHAFT		1
506 90 58-01	TUBE SLEEVE		1
506 90 58-01	TUBE SLEEVE		1
506 90 59-01	CHAIN STOP		1
506 90 61-01	CONNECTION ROD		1
506 90 62-01	LINK ASSY LOWER		1
506 91 68-01	SPRING		1
721 42 56-01	SPRING PIN		1
721 61 52-01	SPLIT PIN		1
721 61 83-01	SPLIT PIN		1
721 61 83-01	SPLIT PIN		1
721 61 83-01	SPLIT PIN		1
721 61 83-01	SPLIT PIN		1
721 61 83-01	SPLIT PIN		1
721 61 83-01	SPLIT PIN		1
721 61 87-01	SPLIT PIN		1
721 68 03-51	SPRING COTTER		1
721 83 99-01	CLEVIS PIN		1
725 24 97-51	SCREW		1
725 25 42-51	SCREW EHHM		1
729 44 08-01	SCREW SLCSRT		1
731 23 20-51	HEXAGON NUT		1
732 25 22-01	HEXAGON LOCKING NUT		1
734 11 63-01	WASHER		1
735 31 18-20	E-CLIP		1
735 31 18-20	E-CLIP		1

J

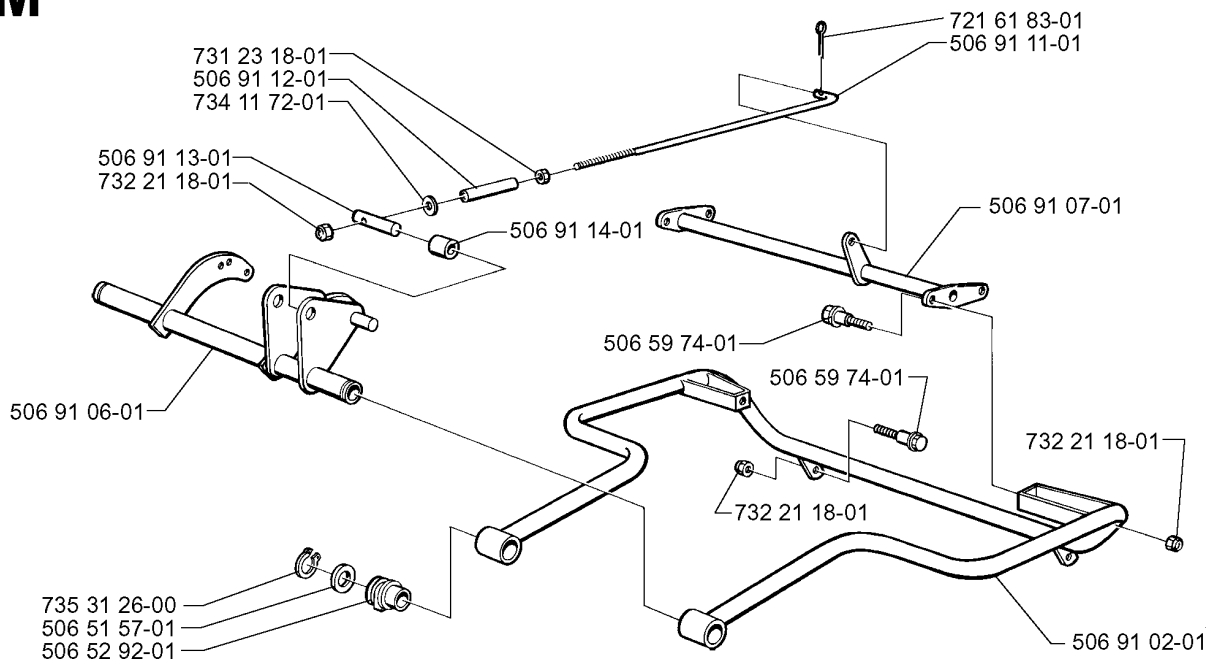


CONTROLS

RIDER 850, 1998-03

Part No	Description	Remark	QTY KIT
506 50 48-05	WASHER		1
506 51 08-01	NIPPLE		1
506 76 88-01	BUSHING		1
506 83 17-01	END FITTING		1
506 83 18-01	LOCK		1
506 83 23-01	SPRING		1
506 83 56-01	HÖJDSEGMENT		1
506 83 57-01	BRACKET		1
506 90 69-01	PUSH ROD		1
506 90 70-01	KNOB		1
506 90 71-01	HANDLE		1
506 90 76-01	LIFTING LEVER ASSY		1
506 90 80-01	LEVER		1
506 90 82-01	HEIGHT ROD		1
506 90 83-01	LINK ASSY		1
721 42 12-26	SPRING PIN		1
721 61 87-01	SPLIT PIN		1
721 61 87-01	SPLIT PIN		1
721 68 02-51	SPRING COTTER		1
725 23 74-71	SCREW EHHM		1
725 24 53-51	SCREW EHHM		1
725 24 57-51	SCREW		1
731 23 16-01	HEXAGON NUT		1
731 23 18-01	HEXAGON NUT		1
731 23 18-01	HEXAGON NUT		1
732 21 18-01	LOCK NUT		1
732 21 18-01	LOCK NUT		1
734 11 64-01	WASHER		1
735 31 15-20	E-CLIP		1

M

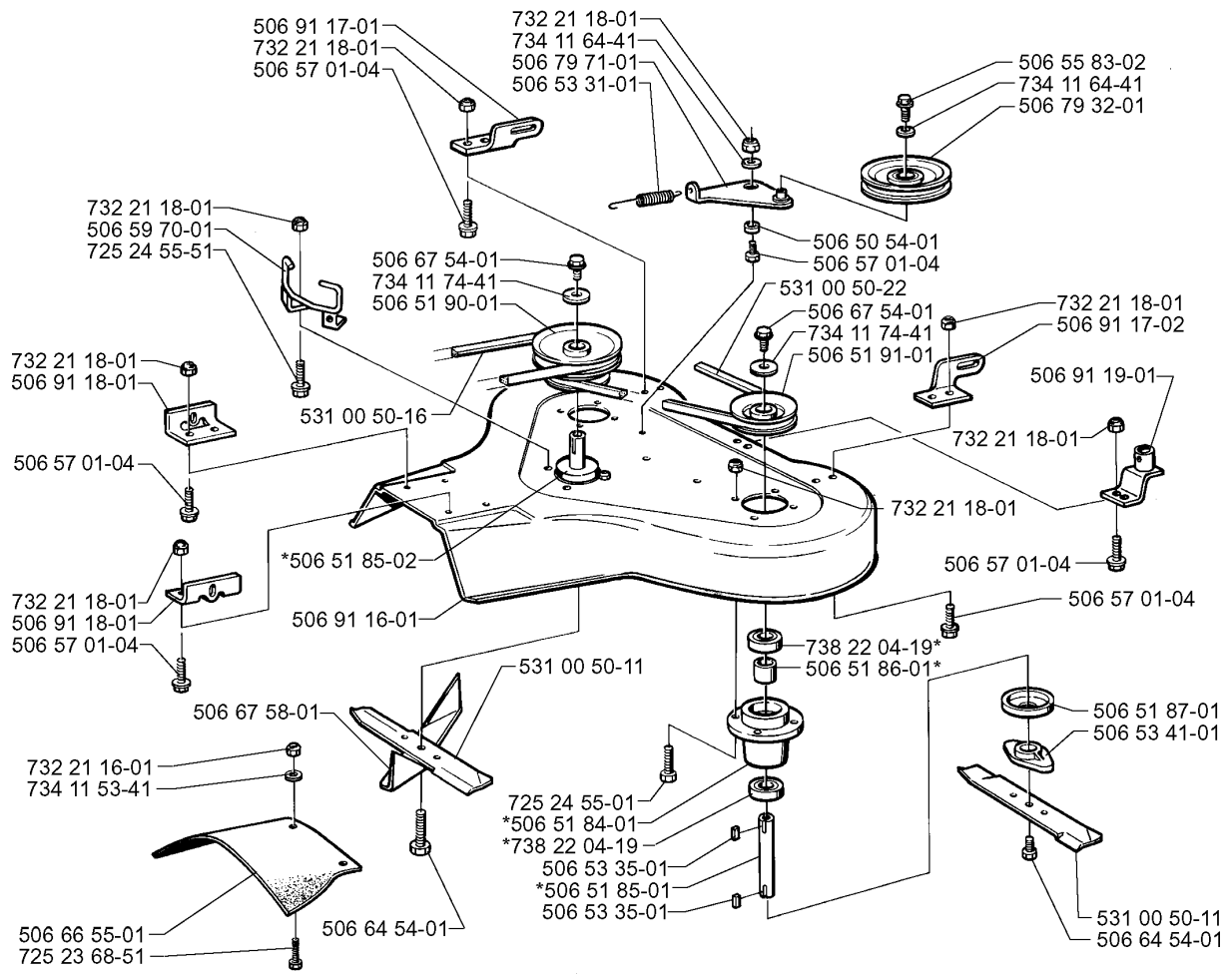


FRAME

RIDER 850, 1998-03

Part No	Description	Remark	QTY KIT
506 51 57-01	WASHER		1
506 52 92-01	BEARING SLEEVE		1
506 59 74-01	SCREW EHHFM		1
506 59 74-01	SCREW EHHFM		1
506 91 02-01	WELT FRAME ASSY		1
506 91 06-01	LIFTING YOKE		1
506 91 07-01	CROSS PIPE ASSY		1
506 91 11-01	PARALLEL ROD		1
506 91 12-01	TUBE SLEEVE		1
506 91 13-01	NIPPLE		1
506 91 14-01	ROLLER		1
721 61 83-01	SPLIT PIN		1
731 23 18-01	HEXAGON NUT		1
732 21 18-01	LOCK NUT		1
732 21 18-01	LOCK NUT		1
732 21 18-01	LOCK NUT		1
734 11 72-01	WASHER		1
735 31 26-00	CIRCLIP		1

N

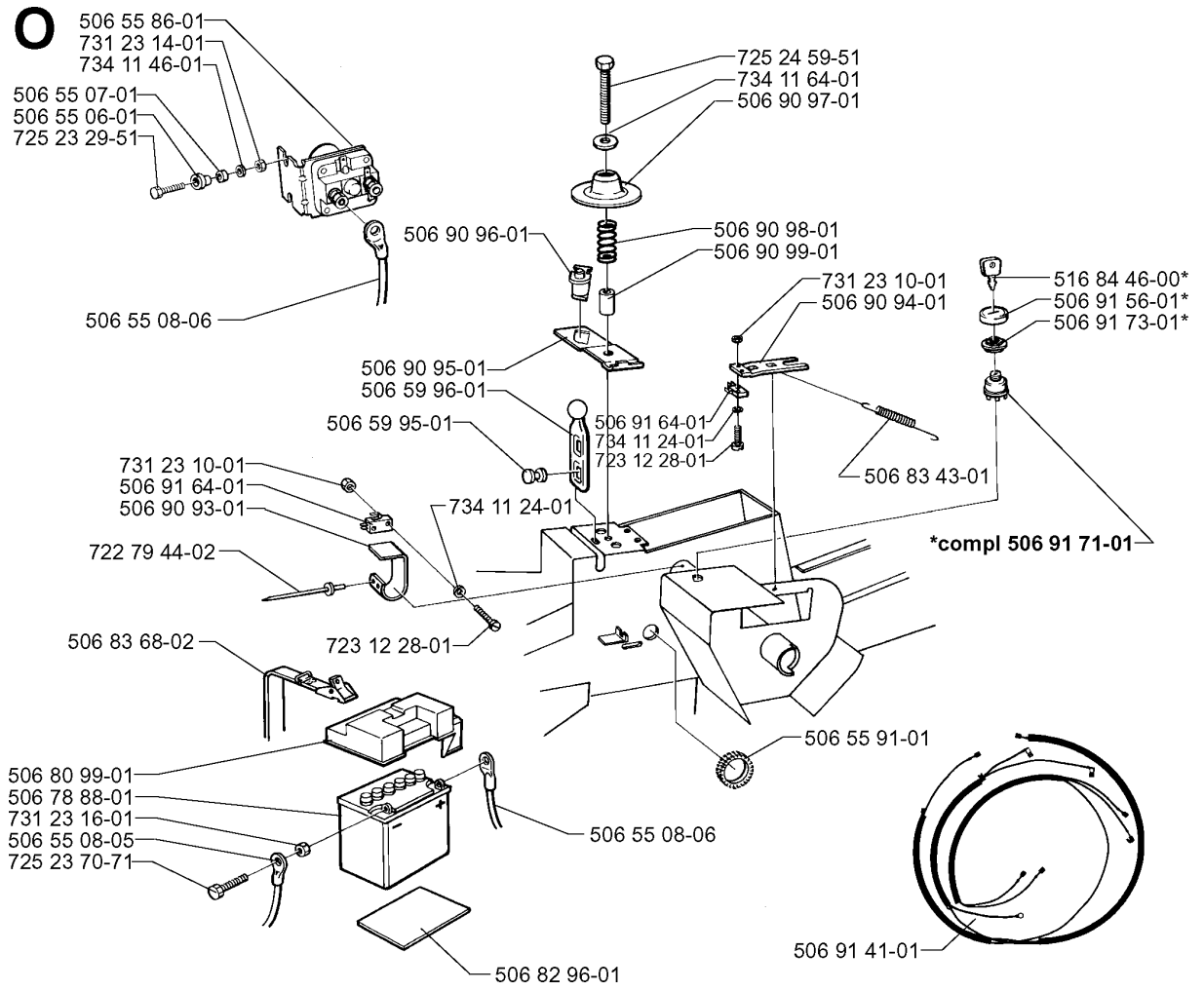


*compl 506 53 34-01 Yttre. Outer. Extérieur. Äusser. Ulko.
 *compl 506 53 34-02 Mitten. Centre. Centre. Zentrum. Keski.

85CM CUTTING DECK

RIDER 850, 1998-03

Part No	Description	Remark	QTY KIT
506 50 54-01	SPACER RING		1
506 51 84-01	BEARING HOUSING		1
506 51 85-01	SHAFT		1
506 51 85-02	SHAFT		1
506 51 86-01	SPACER		1
506 51 87-01	DUST COVER		1
506 51 90-01	PULLEY		1
506 51 91-01	PULLEY		1
506 53 31-01	SPRING		1
506 53 34-01	BLADE HOUSING	YTTRE.	1
506 53 34-02	BLADE HOUSING	MITTEN.	1
506 53 35-01	PARALLEL KEY		1
506 53 35-01	PARALLEL KEY		1
506 53 41-01	BLADE		1
506 55 83-02	SCREW EHHFT		1
506 57 01-04	SCREW EHHFM		1
506 57 01-04	SCREW EHHFM		1
506 57 01-04	SCREW EHHFM		1
506 57 01-04	SCREW EHHFM		1
506 57 01-04	SCREW EHHFM		1
506 57 01-04	SCREW EHHFM		1
506 57 01-04	SCREW EHHFM		1
506 59 70-01	BELT GUIDE		1
506 64 54-01	SCREW		1
506 64 54-01	SCREW		1
506 66 55-01	SPRAY GUARD		1
506 67 54-01	SCREW EHHFM		1
506 67 54-01	SCREW EHHFM		1
506 67 58-01	BLADE		1
506 79 32-01	BELT TENSIONER WHEEL		1
506 79 71-01	SPÄNNARM KPL.		1
506 91 16-01	COVER		1
506 91 17-01	BRACKET		1
506 91 17-02	BRACKET		1
506 91 18-01	BRACKET		1
506 91 18-01	BRACKET		1
506 91 19-01	LIFTING HOOK ASSY		1
531 00 50-11	RIDE ON BLADE		1
531 00 50-11	RIDE ON BLADE		1
531 00 50-16	BELT		1
531 00 50-22	BELT		1
725 23 68-51	SCREW		1
725 24 55-01	SCREW		1
725 24 55-51	SCREW		1
732 21 16-01	LOCK NUT		1
732 21 18-01	LOCK NUT		1
732 21 18-01	LOCK NUT		1
732 21 18-01	LOCK NUT		1
732 21 18-01	LOCK NUT		1
732 21 18-01	LOCK NUT		1
732 21 18-01	LOCK NUT		1
732 21 18-01	LOCK NUT		1
732 21 18-01	LOCK NUT		1
732 21 18-01	LOCK NUT		1
732 21 18-01	LOCK NUT		1
734 11 53-41	WASHER		1
734 11 64-41	WASHER		1
734 11 64-41	WASHER		1
734 11 74-41	WASHER		1
734 11 74-41	WASHER		1
738 22 04-19	BALL BEARING		1
738 22 04-19	BALL BEARING		1

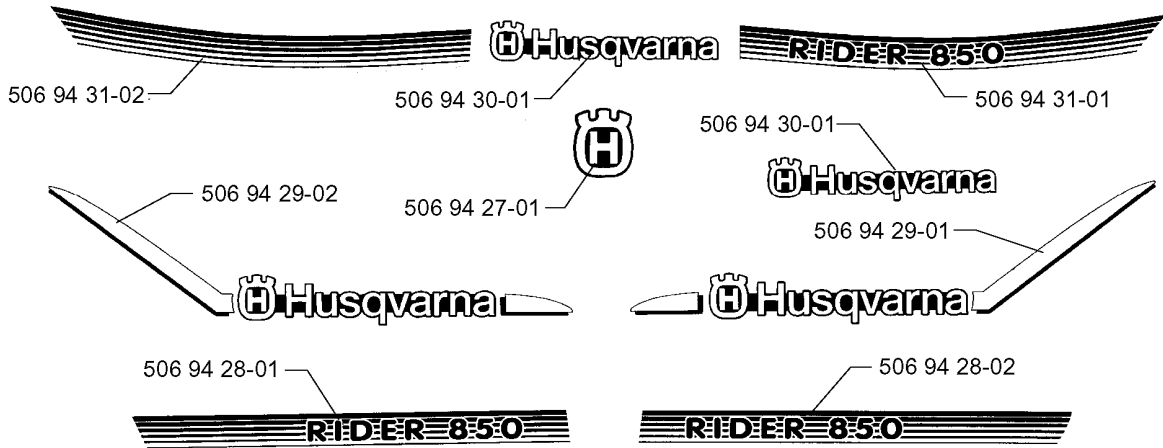


ELECTRICAL

RIDER 850, 1998-03

Part No	Description	Remark	QTY KIT
506 55 06-01	PLUG		1
506 55 07-01	INSULATING WASHER		1
506 55 08-05	STARTKABEL BATT-JORD		1
506 55 08-06	STARTKABEL BATT-RELÄ		1
506 55 08-06	STARTKABEL BATT-RELÄ		1
506 55 86-01	RELAY		1
506 55 91-01	SKAVSKYDD		1
506 59 95-01	BUTTON		1
506 59 96-01	GUMMISTROPP		1
506 78 88-01	BATTERY		1
506 80 99-01	BATTERY COVER		1
506 82 96-01	BATTERY MAT		1
506 83 43-01	SPRING		1
506 83 68-02	BELT		1
506 90 93-01	PLATE SPRING		1
506 90 94-01	BRACKET		1
506 90 95-01	SWITCH ATTACHMENT SE		1
506 90 96-01	SWITCH		1
506 90 97-01	SPRING WASHER		1
506 90 98-01	SPRING		1
506 90 99-01	SPACING TUBE		1
506 91 41-01	WIRING ASSY		1
506 91 56-01	PROTECTION		1
506 91 64-01	MICRO SWITCH		1
506 91 64-01	MICRO SWITCH		1
506 91 71-01	IGNITION LOCK		1
506 91 73-01	NUT		1
516 84 46-00	KEY		1
722 79 44-02	RIVET		1
723 12 28-01	SCREW SLCHM		1
723 12 28-01	SCREW SLCHM		1
725 23 29-51	SCREW		1
725 23 70-71	SCREW EHHM		1
725 24 59-51	SCREW EHHM		1
731 23 10-01	HEXAGON NUT		1
731 23 10-01	HEXAGON NUT		1
731 23 14-01	HEXAGON NUT		1
731 23 16-01	HEXAGON NUT		1
734 11 24-01	WASHER		1
734 11 24-01	WASHER		1
734 11 46-01	WASHER		1
734 11 64-01	WASHER		1

P

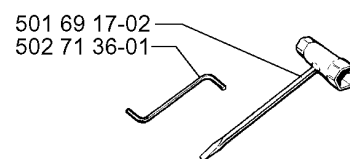


DECALS

RIDER 850, 1998-03

Part No	Description	Remark	QTY KIT
506 94 27-01	DECAL		1
506 94 28-01	STRIPES MOTORKÅPA V.		1
506 94 28-02	STRIPES MOTORKÅPA H.		1
506 94 29-01	VINGAR MOTORKÅPA V.		1
506 94 29-02	VINGAR MOTORKÅPA H.		1
506 94 30-01	DECAL		1
506 94 30-01	DECAL		1
506 94 31-01	STRIPES FRONTKÅPA V.		1
506 94 31-02	STRIPES FRONTKÅPA H.		1

Q Leverans endast som reservdel
Delivery as spare part only
Nur als Ersatzteil lieferbar
Livable seulement comme pièce de rechange
Solo como repuesto
Zasilà se jenom jako náhradní díl



ACCESSORIES

RIDER 850, 1998-03

Part No	Description	Remark	QTY KIT
501 69 17-02	COMBINATION WRENCH		1
502 71 36-01	SPANNER		1