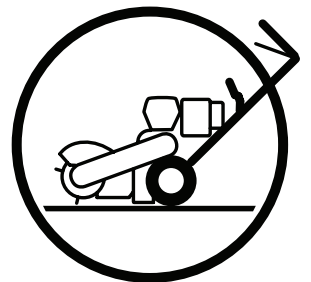


Parts Manual

SG13B / 966042601 / 2009-02

Please read the operator's manual carefully and make sure you understand the instructions before using the machine.

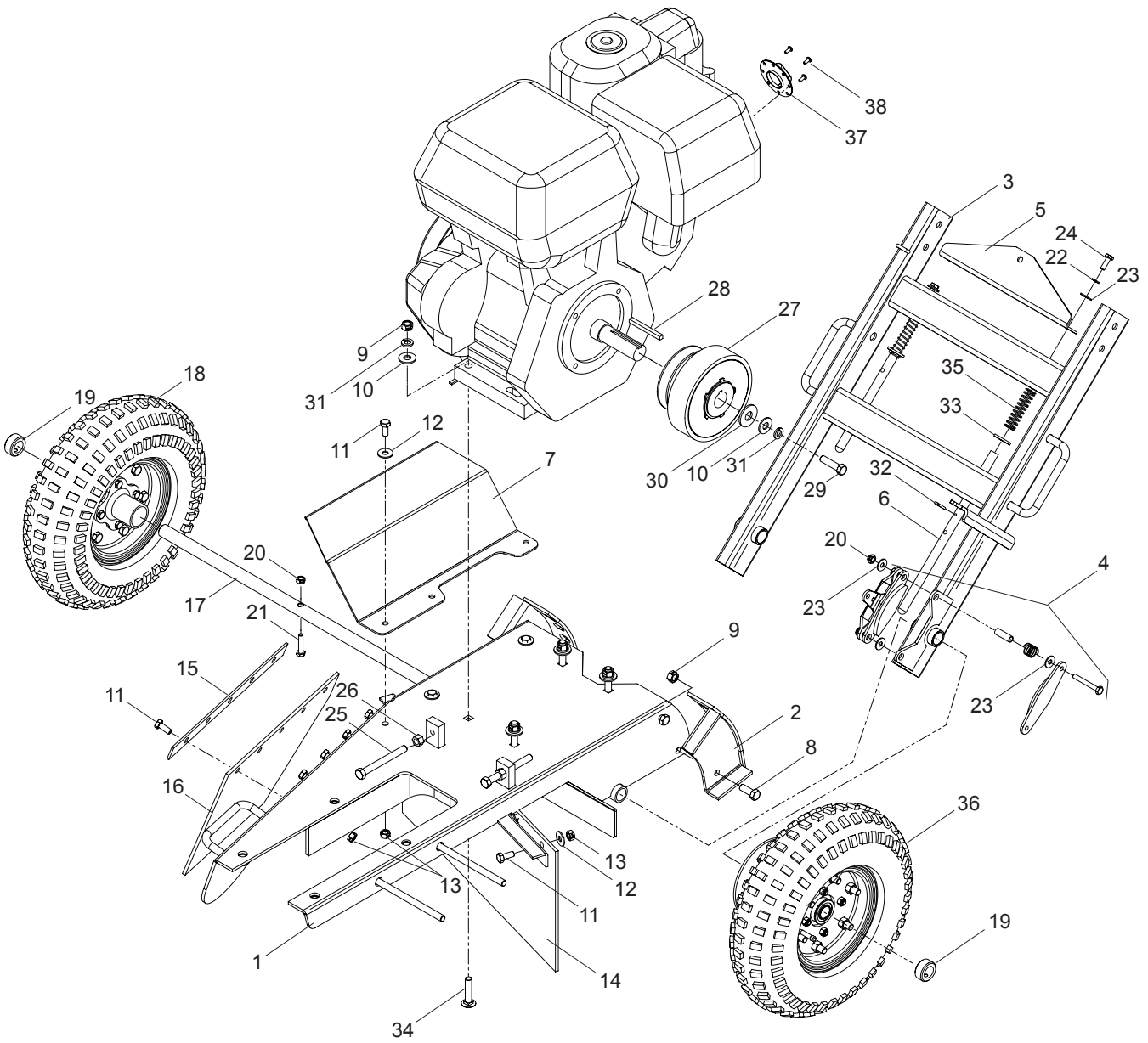


CONTENTS

FRAME.....	4	COVER & BLADE.....	10
HANDLE & CONTROLS.....	6	DECALS	12
BELT GUARD & PULLEY.....	8		

NOTE: ALL FASTENERS ARE GRADE 5 UNLESS OTHERWISE SPECIFIED.

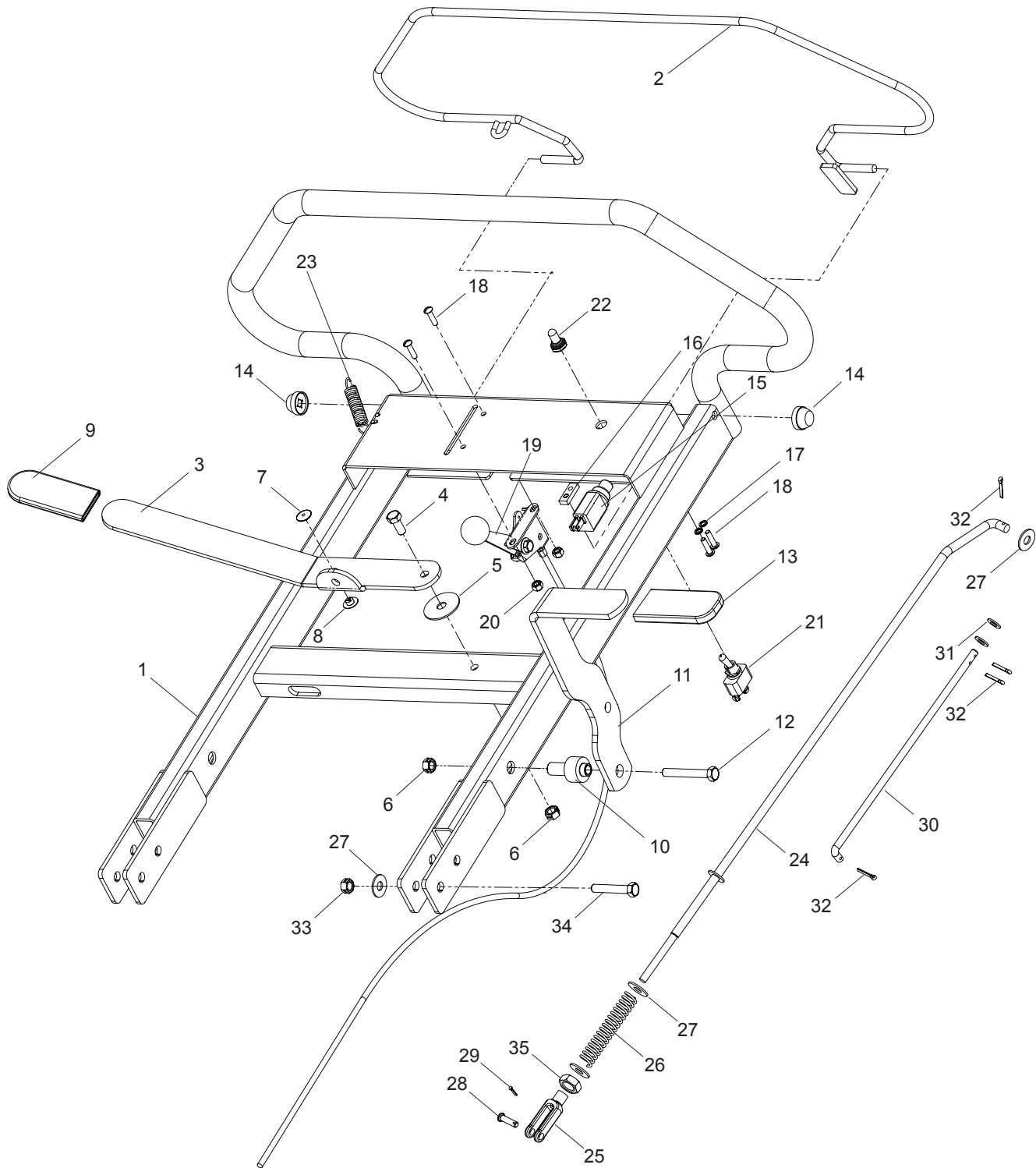
FRAME



FRAME

ITEM	PART NO.	QTY.	DESCRIPTION	ITEM	PART NO.	QTY.	DESCRIPTION
1..	539 109316....	1	DECK	25..	539 109389....	2	HCS $\frac{3}{8}$ -16 x $3\frac{1}{2}$ TPBLT
2..	540 200178....	2	BRACKET	26..	539 990130....	2	NUT $\frac{3}{8}$ -16
3..	539 109321....	1	HANDLE, LOWER	27..	539 020020....	1	CLUTCH -NORAM 3 SHOE
4..	539 020024....	1	BRAKE, CALIPER		505 194401 ...	1	CLUTCH-AMSBECK 2 SHOE
5..	539 108649....	1	BRACKET, HANDLE	28..	539 917033....	1	KEY $\frac{1}{4}$ SQ x $2\frac{1}{2}$
6..	539 020082....	2	PIN, HANDLE ADJUSTMENT	29..	539 990164....	1	HCS $\frac{3}{8}$ -24 x $1\frac{1}{2}$
7..	539 109283....	1	FENDER	30..	539 109554....	1	WASHER $\frac{1}{2}$ FLAT
8..	539 990563....	4	HCS $\frac{3}{8}$ -16 x 1	31..	539 990118....	5	WASHER $\frac{3}{8}$ SPLIT LK
9..	539 990546....	8	NUT $\frac{3}{8}$ -16 CNTRLK	32..	539 990365....	2	PIN, COTTER $\frac{1}{8}$ x $\frac{3}{4}$
10..	539 990517....	9	WASHER $\frac{3}{8}$ FLAT STD	33..	539 990250....	2	WASHER $\frac{1}{2}$, SAE
11..	539 976934..	14	HCS $\frac{5}{16}$ -18 x $\frac{3}{4}$	34..	539 990923....	4	RHSNB $\frac{3}{8}$ -16 x $1\frac{3}{4}$
12..	539 990692....	9	WASHER $\frac{5}{16}$	35..	539 020034....	2	SPRING, COMPRESSION
13..	539 990184..	14	NUT $\frac{5}{16}$ -18 CNTRLK	36..	539 020074....	1	WHEEL w/ DISC
14..	539 020094....	1	DEFLECTOR, REAR	37..	539 020092....	1	DEFLECTOR, EXHAUST
15..	539 200781....	1	STRAP, DEFLECTOR	38..	539 108495....	3	SCREW #8-32 x $\frac{3}{8}$
16..	539 020084....	1	DEFLECTOR, SIDE		NOT SHOWN		
17..	539 020085....	1	AXLE		539 109299 ...	1	WIRE HARNESS, ENGINE FOR NORAM CLUTCH
18..	540 020025....	1	WHEEL, RT		539 110762....	1	KIT, SNAP RINGS & BRGS
19..	539 020028....	2	SET COLLAR, $\frac{3}{4}$ "		539 110763....	1	KIT, CLUTCH SHOE / SPRGS FOR AMSBECK CLUTCH
20..	539 990761....	3	NUT $\frac{1}{4}$ -20 CNTRLK		505 246401 ...	1	KIT, CLUTCH SHOE
21..	539 100266....	1	HCS $\frac{1}{4}$ -20 x $1\frac{1}{4}$				
22..	539 990052....	2	LOCKWASHER $\frac{1}{4}$				
23..	539 990598....	6	WASHER $\frac{1}{4}$				
24..	539 990580....	2	HCS $\frac{1}{4}$ -20 x $\frac{3}{4}$				

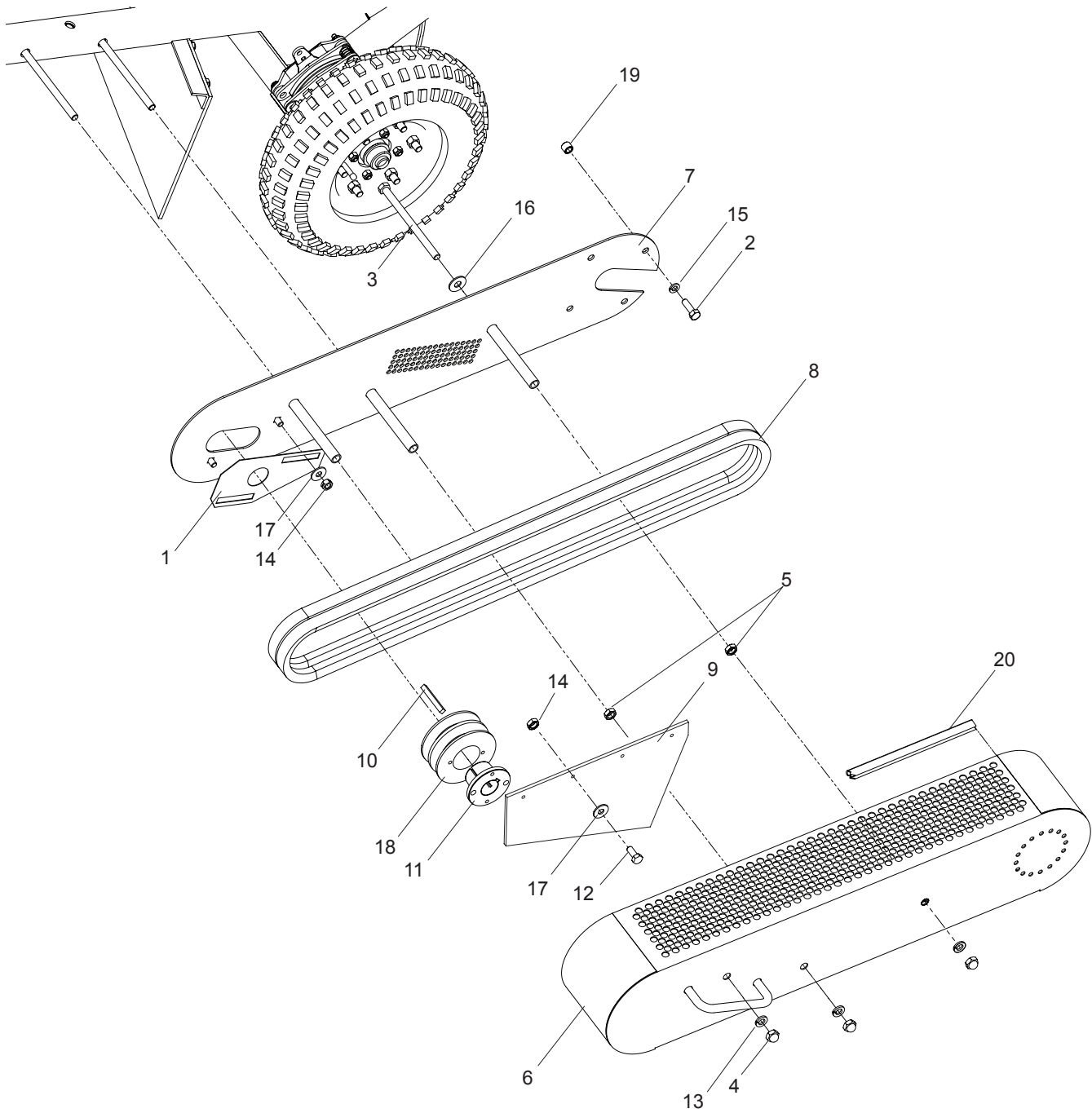
HANDLE & CONTROLS



HANDLE & CONTROLS

ITEM	PART NO.	QTY.	DESCRIPTION	ITEM	PART NO.	QTY.	DESCRIPTION
1..	539 109319....	1	HANDLE UPPER	20..	539 976977....	2	NUT #10-24 NYLOC
2..	539 130818....	1	BAIL	21..	539 020016....	1	SWITCH, TOGGLE
3..	539 108647....	1	HANDLE, POSITION ADJ	22..	539 020041....	1	BOOT, TOGGLE SWITCH
4..	539 976934....	1	HCS $\frac{5}{16}$ -18 x $\frac{3}{4}$	23..	539 020035....	1	SPRING
5..	539 102998....	1	WASHER, FRICTION	24..	539 108992....	1	ROD, PARK BRAKE
6..	539 990184....	2	NUT $\frac{5}{16}$ -18 CNTRLK	25..	539 976481....	1	YOKE, $\frac{5}{16}$
7..	539 109089....	1	RIVET, SNAP, MALE	26..	539 100102....	1	SPRING
8..	539 109090....	1	RIVET, SNAP, FEMALE	27..	539 990517....	7	WASHER $\frac{3}{8}$ FLAT STD
9..	539 110865....	1	GRIP	28..	539 108975....	1	PIN, CLEVIS $\frac{1}{4}$ x $\frac{7}{8}$
10..	539 109279....	1	BUSHING, STEP $\frac{3}{4}$ ID	29..	539 976988....	1	HAIRPIN COTTER
11..	539 108995....	1	HANDLE, WHEEL BRAKE	30..	539 108648....	1	ROD
12..	539 976938....	1	HCS $\frac{5}{16}$ -18 x $2\frac{1}{4}$	31..	539 990188....	2	WASHER $\frac{5}{16}$ SAE
13..	539 108996....	1	GRIP, PARK BRAKE	32..	539 990365....	4	PIN, COTTER $\frac{1}{8}$ x $\frac{3}{4}$
14..	539 108792....	2	NUT $\frac{5}{16}$ PUSH CAP	33..	539 990546....	4	NUT $\frac{3}{8}$ -16 CNTRLK
15..	539 020017....	1	SWITCH, NC	34..	539 990588....	4	HCS $\frac{3}{8}$ -16 x 2
16..	539 102678....	1	PLATE, TAPPED	35..	539 110943....	1	NUT $\frac{5}{16}$ -24 NYLOC
17..	539 109552....	2	LOCKWASHER #10	NOT SHOWN			
18..	539 108535....	4	SCREW #10-24 x $\frac{3}{4}$		539 976856 ...	5	WIRE TIE
19..	539 020023....	1	THROTTLE CNTRL w/ KNOB		539 109298 ...	1	WIRE HARNESS

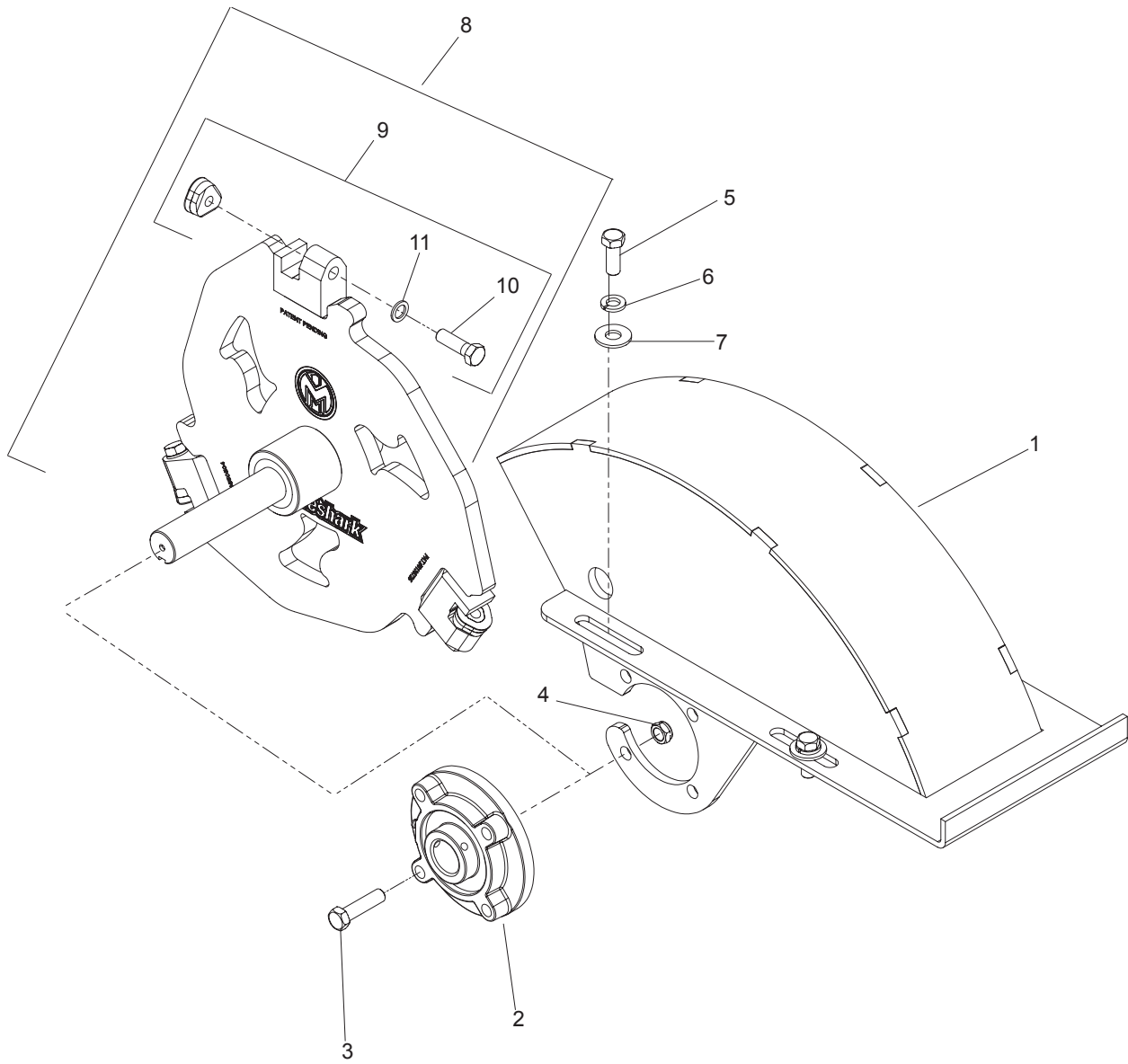
BELT GUARD & PULLEY



BELT GUARD & PULLEY

ITEM	PART NO.	QTY.	DESCRIPTION	ITEM	PART NO.	QTY.	DESCRIPTION
1..	539 108213....	1 PLATE COVER	11..	539 923381....	1 BUSHING, TAPERLOCK
2..	539 108398....	4 HCS $\frac{5}{16}$ -24 x 1	12..	539 976934....	4 HCS $\frac{5}{16}$ -18 x $\frac{3}{4}$
3..	539 108505....	1 HCS $\frac{3}{4}$ -16 x $5\frac{1}{2}$	13..	539 990118....	3 WASHER $\frac{3}{8}$ SPLIT LK
4..	539 108746....	3 NUT $\frac{3}{8}$ -16 ACORN	14..	539 990184....	6 NUT $\frac{5}{16}$ -18 CNTRLK
5..	539 109332....	3 NUT $\frac{3}{8}$ -16 JAM	15..	539 990187....	4 WASHER $\frac{5}{16}$ SLW
6..	539 112298....	1 COVER, BELT, w/ TRIM	16..	539 990517....	1 WASHER $\frac{3}{8}$ FLAT STD
7..	540 200350....	1 BACK PLATE, BELT GUARD	17..	539 990692....	6 WASHER $\frac{5}{16}$
8..	539 200751....	1 BELT, SET OF 2	18..	539 111142	1 PULLEY, TAPERLOCK
9..	539 020089....	1 DEFLECTOR, LEFT SIDE	19..	539 102827....	1 SPACER, PULLEY
10..	539 910210....	1 KEY $\frac{1}{4}$ SQ x 2	20..	539 112294	1 TRIM, FLEX

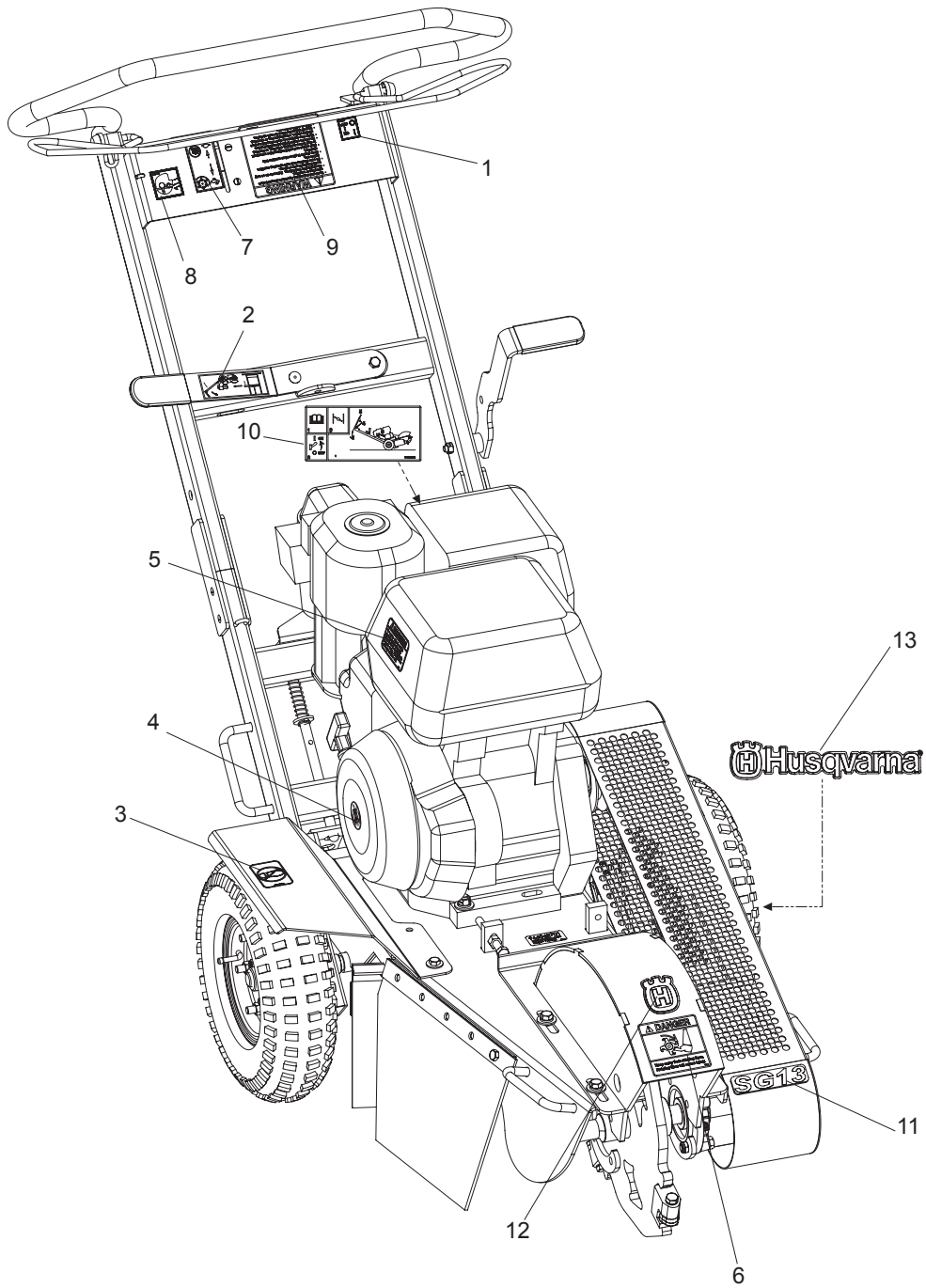
COVER & BLADE



COVER & BLADE

ITEM	PART NO.	QTY.	DESCRIPTION	ITEM	PART NO.	QTY.	DESCRIPTION
1..	540 020225....	1	SHROUD KIT w/DECAL and Items 5-7	9..	525 435301....	1	KIT, TOOTH (STANDARD)
2..	539 020027....	2	BEARING		525 435302 ...	1	KIT, TOOTH (SAND & CLAY)
3..	539 990655....	8	HCS $\frac{3}{8}$ -16 x $1\frac{1}{2}$		525 435303 ...	1	KIT, TOOTH (ROCK)
4..	539 200282....	8	NUT, $\frac{3}{8}$ -16 JAM NYLOC	10..	525 435401....	1	HCS $\frac{3}{8}$ -16 x $1\frac{1}{4}$
5..	539 990563....	4	HCS $\frac{3}{8}$ -16 x 1	11..	525 435501....	1	WASHER, $\frac{3}{8}$ SPRING
6..	539 990118....	4	WASHER $\frac{3}{8}$ SPLIT LK		NOT SHOWN		
7..	539 990517....	4	WASHER $\frac{3}{8}$ FLAT STD		539 020226 ...	1	KIT, BEARING Items 2-4
8..	525 435201....	1	WHEEL w/TEETH, BOLTS, WASHERS				

DECALS



DECALS

ITEM	PART NO.	QTY.	DESCRIPTION	ITEM	PART NO.	QTY.	DESCRIPTION
1..	539 200830....	1	DECAL, ON/OFF	8..	540 200126....	1	DECAL, EAR/EYE WARN
2..	539 108987....	1	DECAL, HANDLE ADJ	9..	540 200027....	1	DECAL, CAUTION LIST
3..	539 105743....	1	DECAL, NO STEP	10..	539 110590....	1	DECAL, OPERATION
4..	539 108173....	1	DECAL, HONDA STARTER	11..	525 456101....	1	DECAL, SG13
5..	539 101881....	1	DECAL, PROP 65	12..	532 422010....	1	DECAL, CROWN
6..	539 008369....	1	DECAL, DANGER FOOT	13..	532 422012....	1	DECAL, HUSQVARNA
7..	539 200829....	1	DECAL, THROTTLE				

