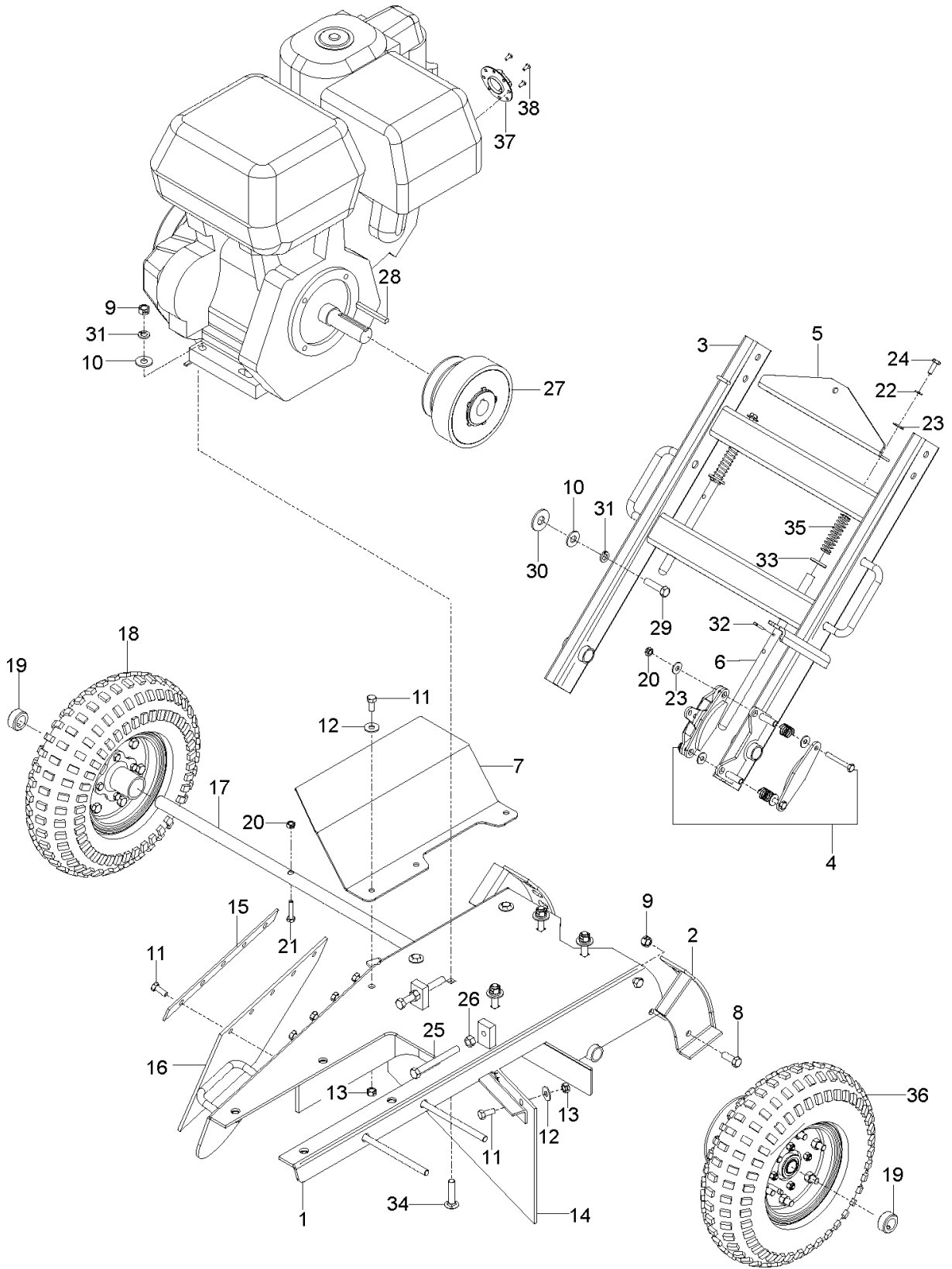




SPARE PARTS LIST

STUMP GRINDERS

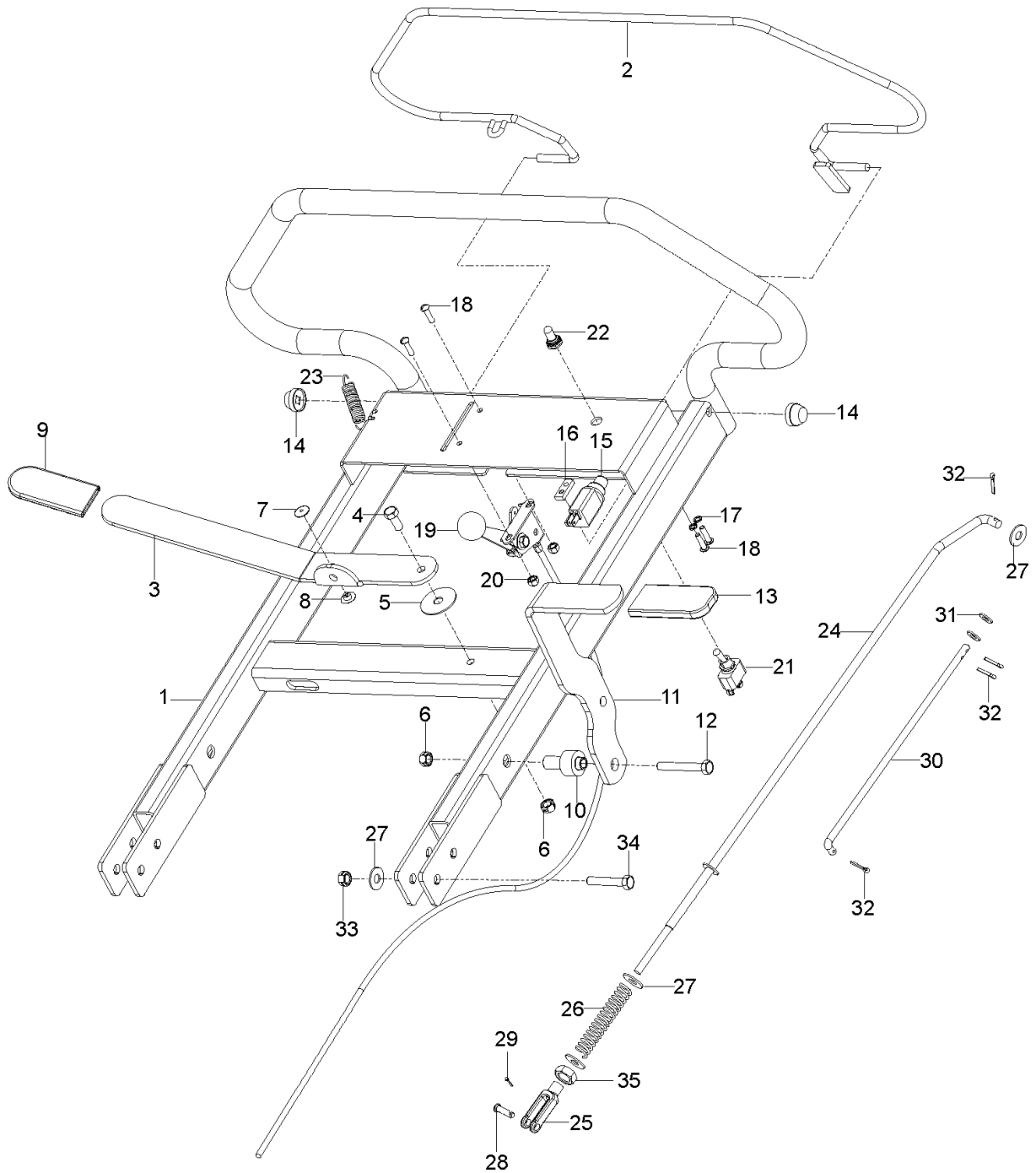
SG13B 966042601, 2009-02



FRAME

SG13B 966042601, 2009-02

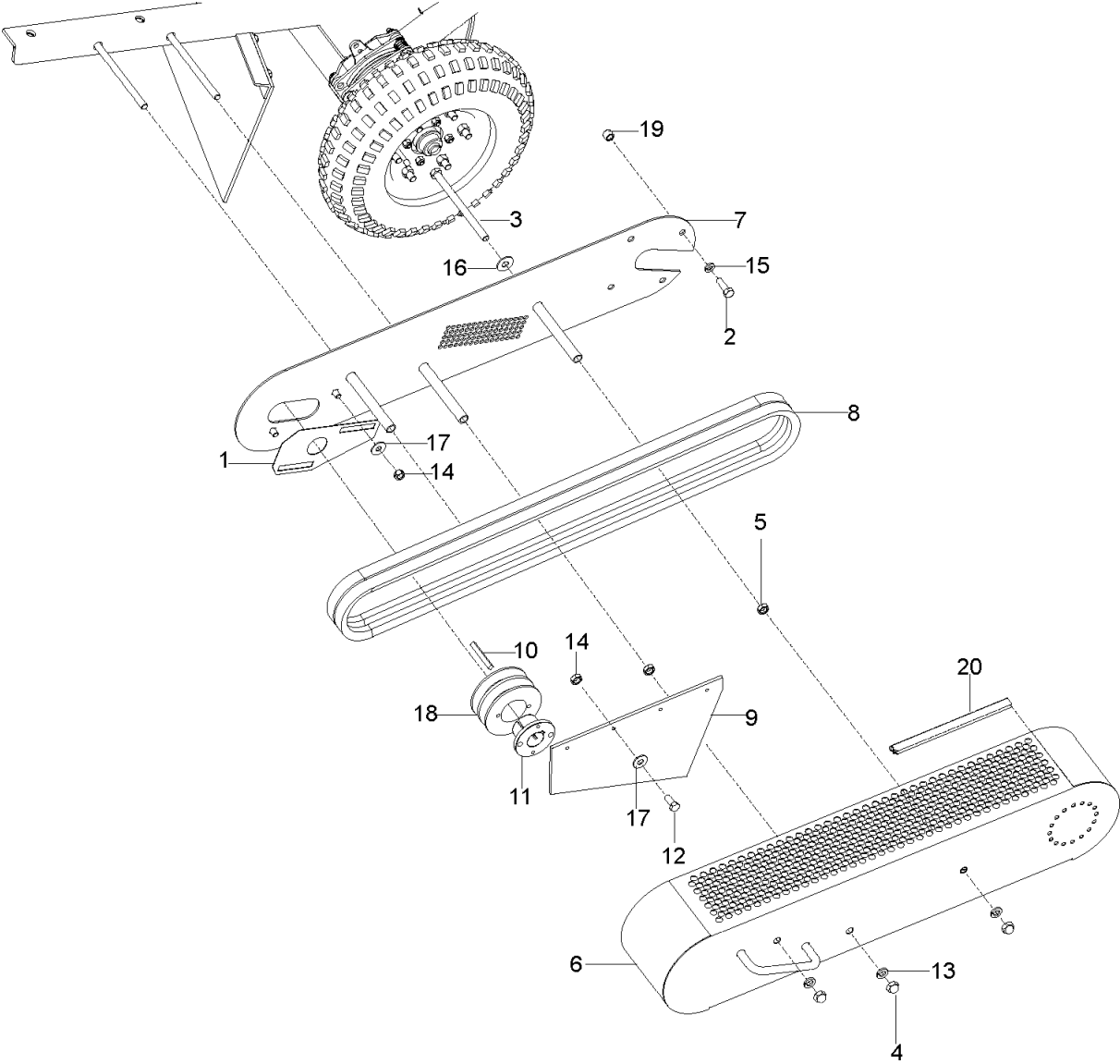
Ref	Part No	Description	Remark	QTY KIT
1	539 10 93-17	DECK		1
2	540 20 01-78	HANDLE BRACKET		2
3	539 10 93-21	HANDLE WELD, LOWER HALF-GREY		1
4	539 02 00-24	BRAKE LEVER		1
5	539 10 86-49	BRACKET		1
6	539 02 00-82	RETAINER		2
7	539 10 93-15	FENDER		1
8	539 99 05-63	SCREW		4
9	539 99 05-46	NUT		8
10	539 99 05-17	WASHER		9
11	539 97 69-34	SCREW		14
12	539 99 06-92	WASHER		9
13	539 99 01-84	NUT		14
14	539 02 00-94	DEFLECTOR, NEOPRENE, REAR		1
15	539 20 07-81	LIST		1
16	539 02 00-84	PROTECTOR		1
17	539 02 00-85	SHAFT		1
18	540 02 00-25	WHEEL		1
19	539 02 00-28	SEALING		2
20	539 99 07-61	NUT		3
21	539 10 02-66	BOLT		1
22	539 99 00-52	WASHER		2
23	539 99 05-98	WASHER		6
24	539 99 05-80	SCREW		2
25	539 10 93-89	BOLT		2
26	539 99 01-30	NUT		2
27	539 02 00-20	CLUTCH ASSY	3 SHOE	1
27	505 19 44-01	CLUTCH ASSY	2 SHOE	1
28	539 91 70-33	KEY		1
29	539 99 01-64	HCS 3/8F X 1 1/2		1
30	539 10 95-54	WASH USS FLAT 1/2		1
31	539 99 01-18	WASHER		5
32	539 99 03-65	PIN RETAINING SCREW		2
33	539 99 02-50	WASHER		2
34	539 99 09-23	RHSNB 3/8-16X1-3/4 GR 5 ZD		4
35	539 02 00-34	SPRING		2
36	539 02 00-74	WHEEL		1
37	539 02 00-92	DEFLECTOR		1
38	539 10 84-95	SCREW		3
	539 10 92-99	HARNES	NOT SHOWN	1
	539 11 07-62	CLUTCH	NOT SHOWN	1
	539 11 07-63	CLUTCH	NOT SHOWN	1
	505 24 64-01	CLUTCH SHOE	NOT SHOWN	1



HANDLE & CONTROLS

SG13B 966042601, 2009-02

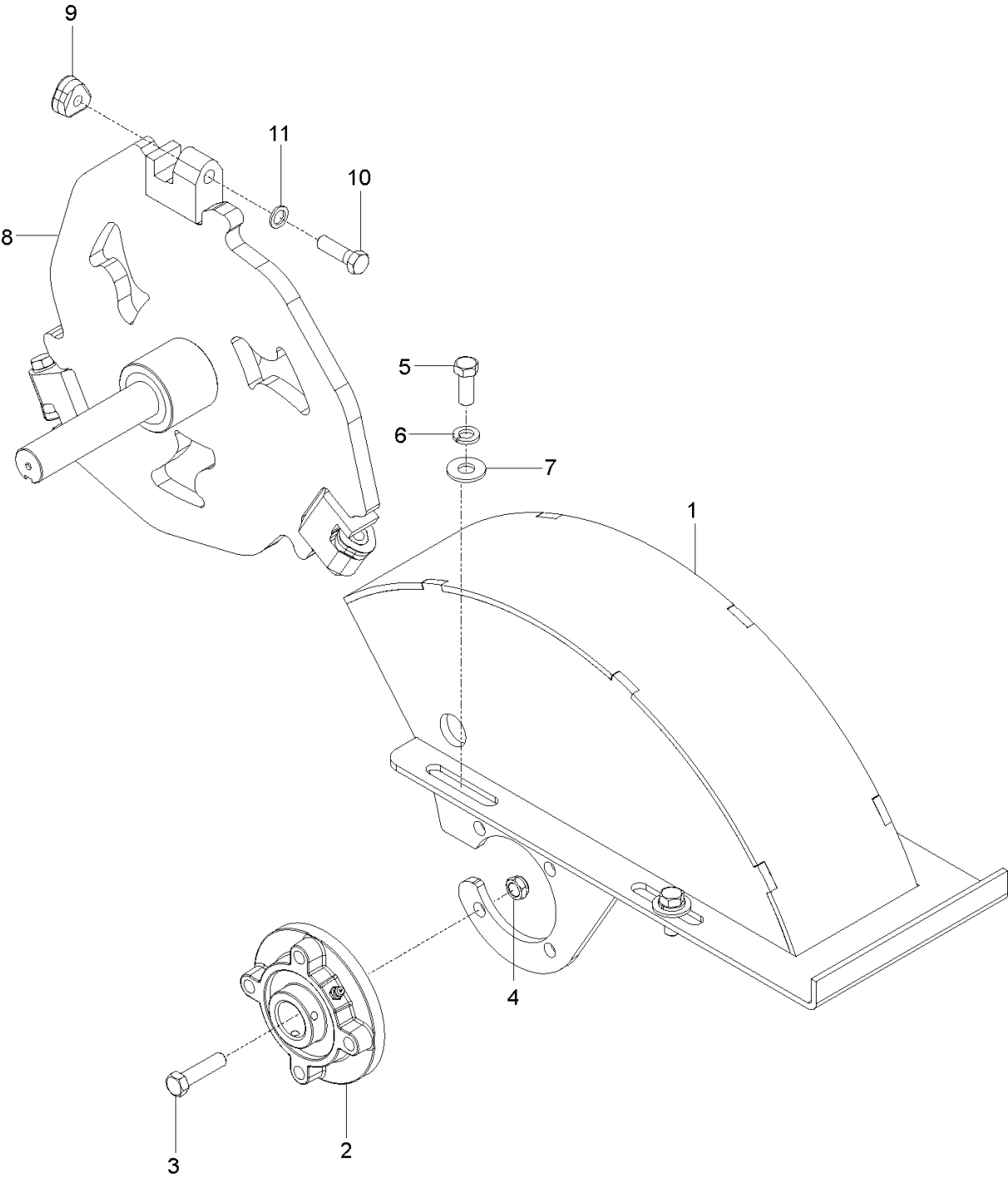
Ref	Part No	Description	Remark	QTY	KIT
1	539 10 93-19	HANDLE	HANDLE w/ DECALS	1	27, 33, 34
2	539 13 08-18	BAIL		1	
3	539 10 86-47	HANDLE		1	
4	539 97 69-34	SCREW		1	
5	539 10 29-98	WASHER		1	
6	539 99 01-84	NUT		2	
7	539 10 90-89	RIVET		1	
8	539 10 90-90	RIVET		1	
9	539 11 08-65	GRIP		1	
10	539 10 92-79	BUSHING		1	
11	539 10 89-95	HANDLE		1	
12	539 97 69-38	CAPSCREW 5/16 X 2-1/4 HED HEAD		1	
13	539 10 89-96	GRIP		1	
14	539 10 87-92	NUT		2	
15	539 02 00-17	SWITCH		1	
16	539 10 26-78	PLATE		1	
17	539 10 95-52	WASHER - 3/8		2	
18	539 10 85-35	SCREW		4	
19	539 02 00-23	THROTTLE CABLE, STUMP GRINDER		1	
20	539 97 69-77	NUT		2	
21	539 02 00-16	BRAKER		1	
22	539 02 00-41	PROTECTOR		1	
23	539 02 00-35	SPRING		1	
24	539 10 89-92	ROD		1	
25	539 97 64-81	YOKE		1	
26	539 10 01-02	SPRING		1	
27	539 99 05-17	WASHER		7	
28	539 10 89-75	CLEVIS PIN		1	
29	539 97 69-88	PIN RETAINING SCREW		1	
30	539 10 86-48	ROD		1	
31	539 99 01-88	WASHER		2	
32	539 99 03-65	PIN RETAINING SCREW		4	
33	539 99 05-46	NUT		4	
34	539 99 05-88	SCREW		4	
35	539 11 09-43	NUT 5/16F NYLOC		1	
	539 97 68-56	TIE WRAP		5	
	539 10 92-98	HARNESS		1	



BELT GUARD & PULLEY

SG13B 966042601, 2009-02

Ref	Part No	Description	Remark	QTY KIT
1	539 10 82-13	PLATE		1
2	539 10 83-98	BOLT		4
3	539 10 85-05	HCS 3/8-16 X 5-1/2 GR 5 ZD		1
4	539 10 87-46	NUT		3
5	539 10 93-32	NUT 3/8-16 HEX JAM ZD		3
6	539 11 22-96	COVER		1
7	539 20 02-70	BELT GUARD		1
8	539 20 07-51	V-BELT-"B" SECT/SET OF 2		1
9	539 02 00-89	PROTECTOR		1
10	539 91 02-10	KEY		1
11	539 92 33-81	HUB		1
12	539 97 69-34	SCREW		4
13	539 99 01-18	WASHER		3
14	539 99 01-84	NUT		6
15	539 99 01-87	WASHER		4
16	539 99 05-17	WASHER		1
17	539 99 06-92	WASHER		6
18	539 11 11-42	PULLEY		1
19	539 10 28-27	SPACER		1
20	539 11 22-94	FLEX TRIM. BLACK - DROP SHIP		1

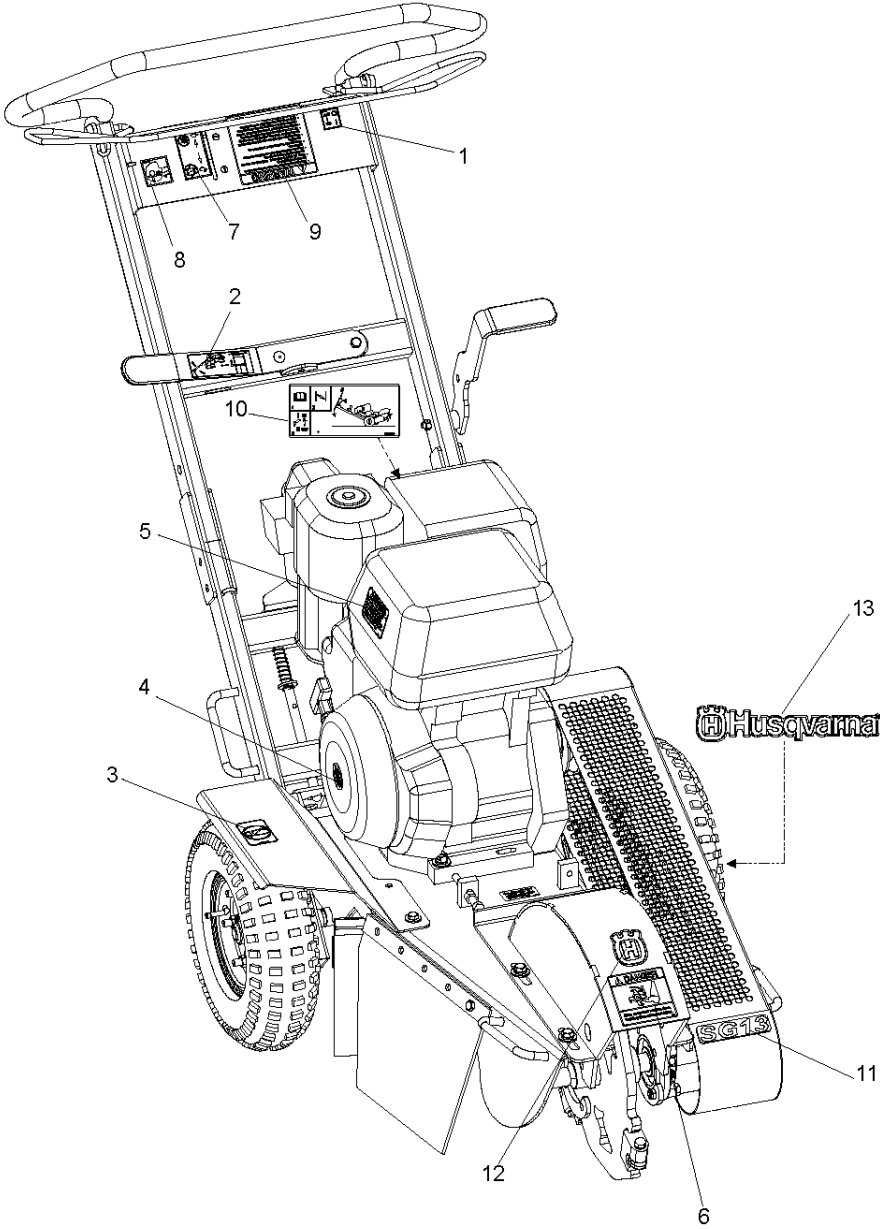


COVER

SG13B 966042601, 2009-02

Ref	Part No	Description	Remark	QTY	KIT
1	540 02 02-25	COVER	W/ DECALS	1	5, 6, 7
2	539 02 00-27	BEARING, CAST FLANGE, 1" BORE		2	
3	539 99 06-55	SCREW		8	
4	539 20 02-82	NUT		8	
5	539 99 05-63	SCREW		4	
6	539 99 01-18	WASHER		4	
7	539 99 05-17	WASHER		4	
8	525 43 52-01	KIT		1	9
9	525 43 53-01	KIT	STANDARD	1	10,11
9	525 43 53-02	KIT	SAND & CLAY		10,11
9	525 43 53-03	KIT	ROCK		10,11
10	525 43 54-01	HCS		1	
11	525 43 55-01	WASHER		1	
	539 02 02-26	BEARING KIT	NOT SHOWN		"2, 3, 4"

DECALS



DECALS

SG13B 966042601, 2009-02

Ref	Part No	Description	Remark	QTY KIT
2	539 10 89-87	DECAL		1
3	539 10 57-43	DECAL		1
4	539 10 81-73	DECAL		1
5	539 10 18-81	DECAL		1
6	539 00 83-69	DECAL		1
7	539 20 08-29	DECAL		1
8	540 20 01-26	DECAL		1
9	540 20 00-27	DECAL		1
10	539 11 05-90	DECAL		1
11	525 45 61-01	DECAL		1
12	532 42 20-10	DECAL		1
13	532 42 20-12	DECAL		1