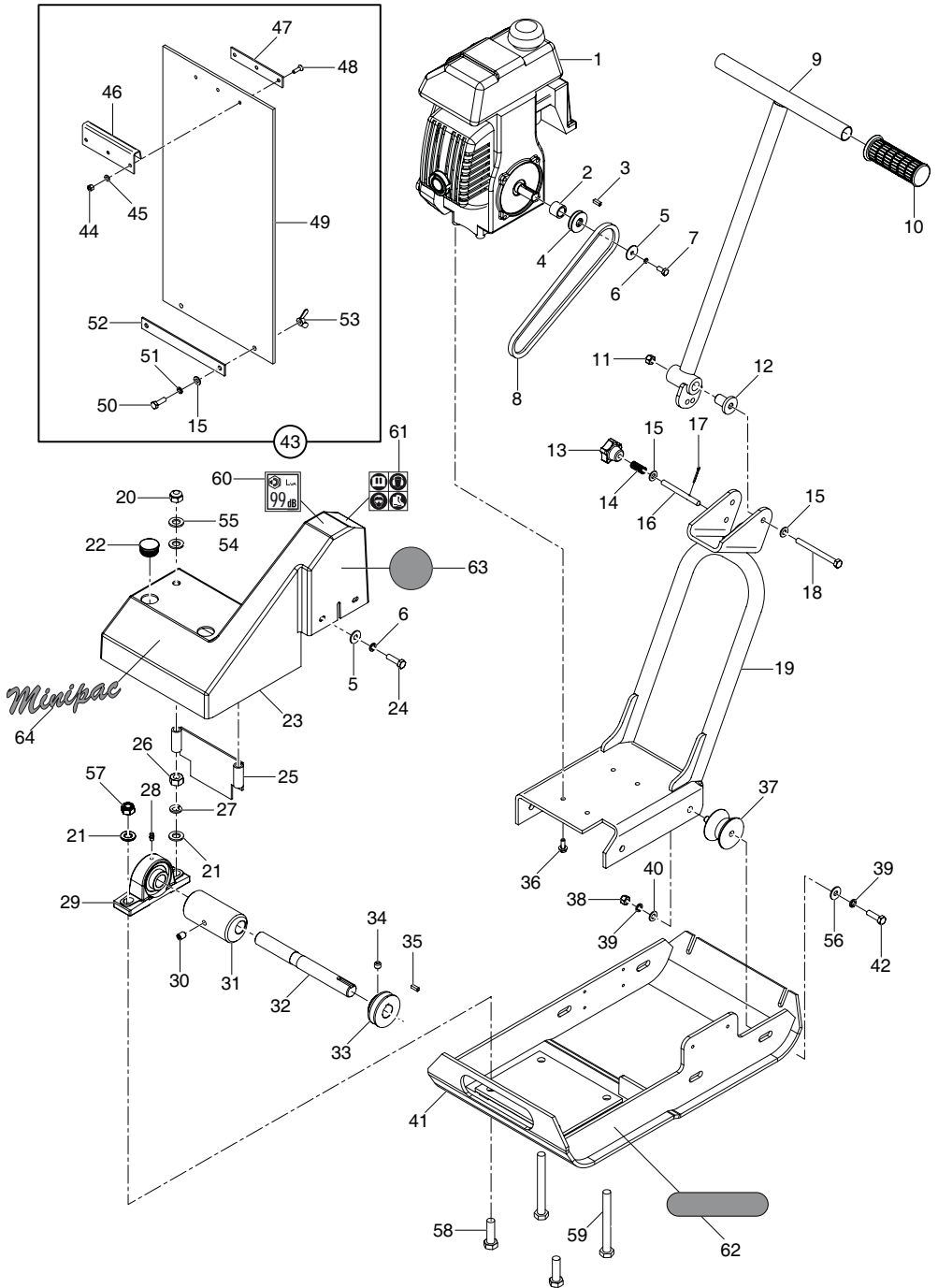


# MPC 300



# MPC 300

ITEM NUMBER <sup>(1)</sup>	PART NUMBER <sup>(2)</sup>	DESCRIPTION <sup>(3)</sup>
1	20/0031	ENGINE (HONDA GXH50)
2	900/99933	SPACER
3	900/99902	KEY
4	941/99902	ENGINE PULLEY
5	4/6009	WASHER (M6 X 25 O/D)
6	4/6011	WASHER (1/4 SPRING)
7	7/6035	SET SCREW (1/4" UNF X 5/8")
8	11.0.085	DRIVE BELT
9	941/10200	HANDLE
10	19.0.708	HANDLE GRIP
11	8/8008	NUT (M8 NYLOC)
12	148045	HANDLE BUSH
13	19.0.778	KNOB
14	2/0041	SPRING
15	4/8006	WASHER (M8)
16	941/99903	LOCKING BAR
17	3/0016	SPLIT PIN (3/32" X 3/4")
18	9/8016	BOLT (M8 X 90)
19	941/10100	BED PLATE
20	8/12009	NUT (M12 DOME)(From Serial No. 00099)
21	4/1204	WASHER (M12)
22	3/4026	PLUG
23	941/99904	GUARD (From Serial No. 00099)
24	9/6001	SET SCREW (M6 X 16)
25	941/10300	GUARD SPACER
26	8/12002	NUT (M12)
27	4/1202	WASHER (M12 SPRING)
28	500/06100	GREASE NIPPLE (M6)
29	12.0.022	BEARING
30	03.3.001	GRUB SCREW (3/8" UNF)
31	148062	ECCENTRIC WEIGHT
32	148061	VIBRATOR SHAFT
33	941/99901	VIBRATOR PULLEY
34	7/6029	GRUB SCREW (M6 X 6)
35	06.8.028	KEY
36	7/6034	SET SCREW (M6 X 16 FLANGED)
37	21.0.292	AV MOUNT
38	8/10003	NUT (M10)
39	4/1003	WASHER (M10 SPRING)
40	4/1005	WASHER (M10 FORM A)
41	941/10500	BASEPLATE KIT (C/W 4 X BOLTS)
42	7/10004	SCREW (M10 X 20)
43	MP03	PAVING PAD KIT
44	8/6007	NUT (M6 NYLOC)
45	4/6001	WASHER (M6)
46	148085	CLAMP
47	148087	BACKING PLATE
48	07.0.121	SCREW (M6 X 20 C'SK)
49	148084	PAVING PAD
50	7/8012	SET SCREW (M8 X 25)
51	4/8003	WASHER (M8 SPRING)
52	148086	CLAMPING PLATE
53	8/8012	NUT (M8 WING)
54	4/1204	WASHER (M12 (FORM A)) (From Serial No. 00099)
55	4/1202	WASHER (M12 SPRING) (From Serial No. 00099)
56	4/1004	WASHER (M10 FORM C)
57	8/12006	NUT (M12 NYLOC)
58	7/12019	SCREW (M12 X 40)
59	7/12018	SCREW (M13 X 110)
60	800/99916	NOISE DECAL
61	19.0.373	4 IN 1 SAFETY DECAL
62	800/99936	MPC 300 LOZENGE DECAL
63	800/00300	BELLE LOGO DECAL
64	800/99940	MINIPAC DECAL

<sup>(1)</sup> Item Number / numéro sur le schéma / número de la ilustración / número da ilustração / afbeeldingsnummer / tegningsnummeret / Teil-Nummer / numero dell'illustrazione

<sup>(2)</sup> Part Number / Numéro de référence de la pièce / número de pieza / número da parte / stuknummer / Styknummer / Nummer auf der Abbildung / numero di parte

<sup>(3)</sup> Description / Désignation / Descripción / Descrição / Omschrijving / Beskrivelse / Bezeichnung / Descrizione



BELLE  
LIGHT  
CONSTRUCTION  
EQUIPMENT

ALTRAD BELLE  
Sheen, Nr. Buxton, Derbyshire, SK17 0EU, GB  
Tel. +44 (0)1298 84606 - Fax +44 (0)1298 84722 - Email: [sales@altrad-belle.com](mailto:sales@altrad-belle.com)  
[www.Altrad-Belle.com](http://www.Altrad-Belle.com)