



Stihl MS170 Chainsaw

Coppice Side Industrial Estate
West Coppice Road
Brownhills, Walsall WS8 7HB

Tel. 01543 378189

Fax. 01543 370006

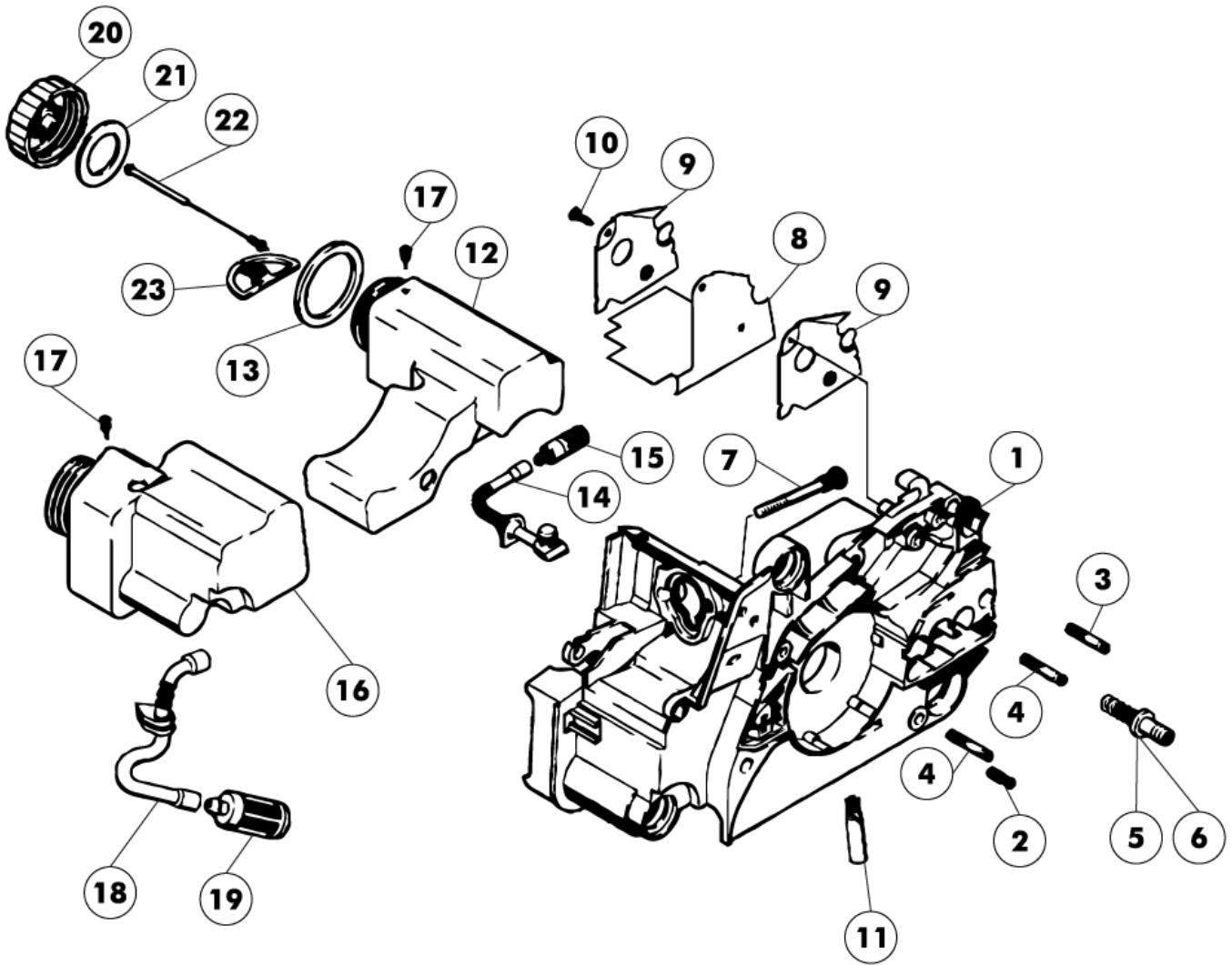
sales@lseengineers.co.uk

www.lseengineers.co.uk

Motor Housing Assembly

Stihl MS170 Chainsaw

Motor Housing Assembly



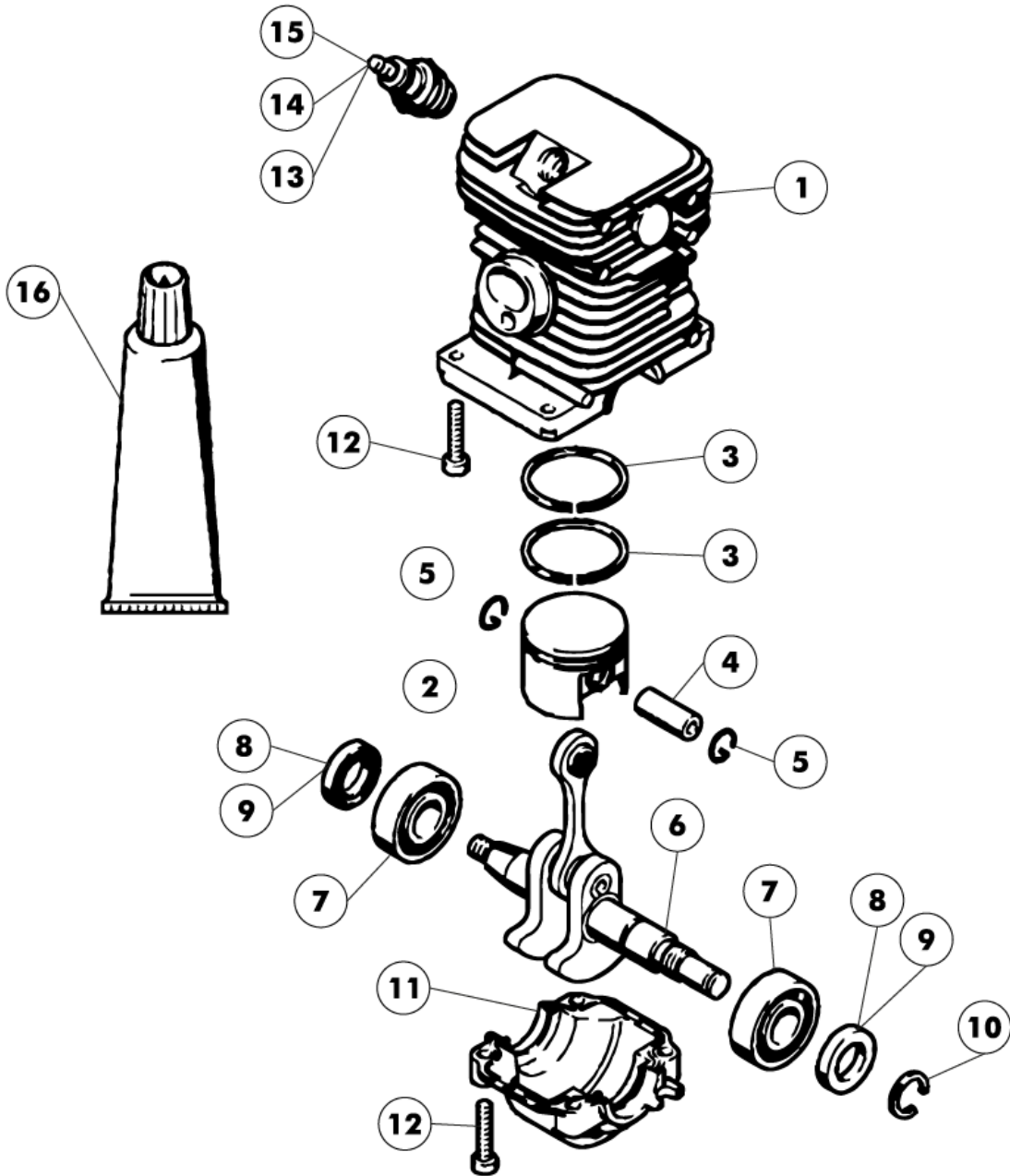
Motor Housing Assembly

Ref.	Part No.	Details
0	170 100	Pickup body
0	170 200	Filter Service Kit MS170 2-Mix
1	1130 020 3033	Engine housing
2	1120 162 5200	Pin
3	1123 162 5200	Pin
4	1123 162 5205	Pin
5	1123 664 2400	Collar screw
6	1123 664 2405	Collar screw D9/M8
7	1130 122 6601	Collar screw
8	1130 084 8303	Reflector foil
9	1130 145 3400	Heat shield
10	9104 003 8600	Self-tapping screw P3x10
11	1123 640 3200	Oil pump 0.55
12	1130 350 4400	Oil tank (incl. 16 - 18, 20)
13	0000 359 1241	Sealing ring
14	1130 647 9400	Hose
15	1123 640 3800	Pickup body
17	0747 313 6810	Valve
18	1130 358 7700	Hose
19	LF4005	Non-Gen Spark plug Bosch USR7AC
19	0000 350 3500	Pickup body
20	1130 350 0500	Filler cap
21	0000 359 1240	Sealing ring
22	0000 350 0905	Rope
23	0000 353 0605	Hook

Cylinder Assembly

Stihl MS170 Chainsaw

Cylinder Assembly

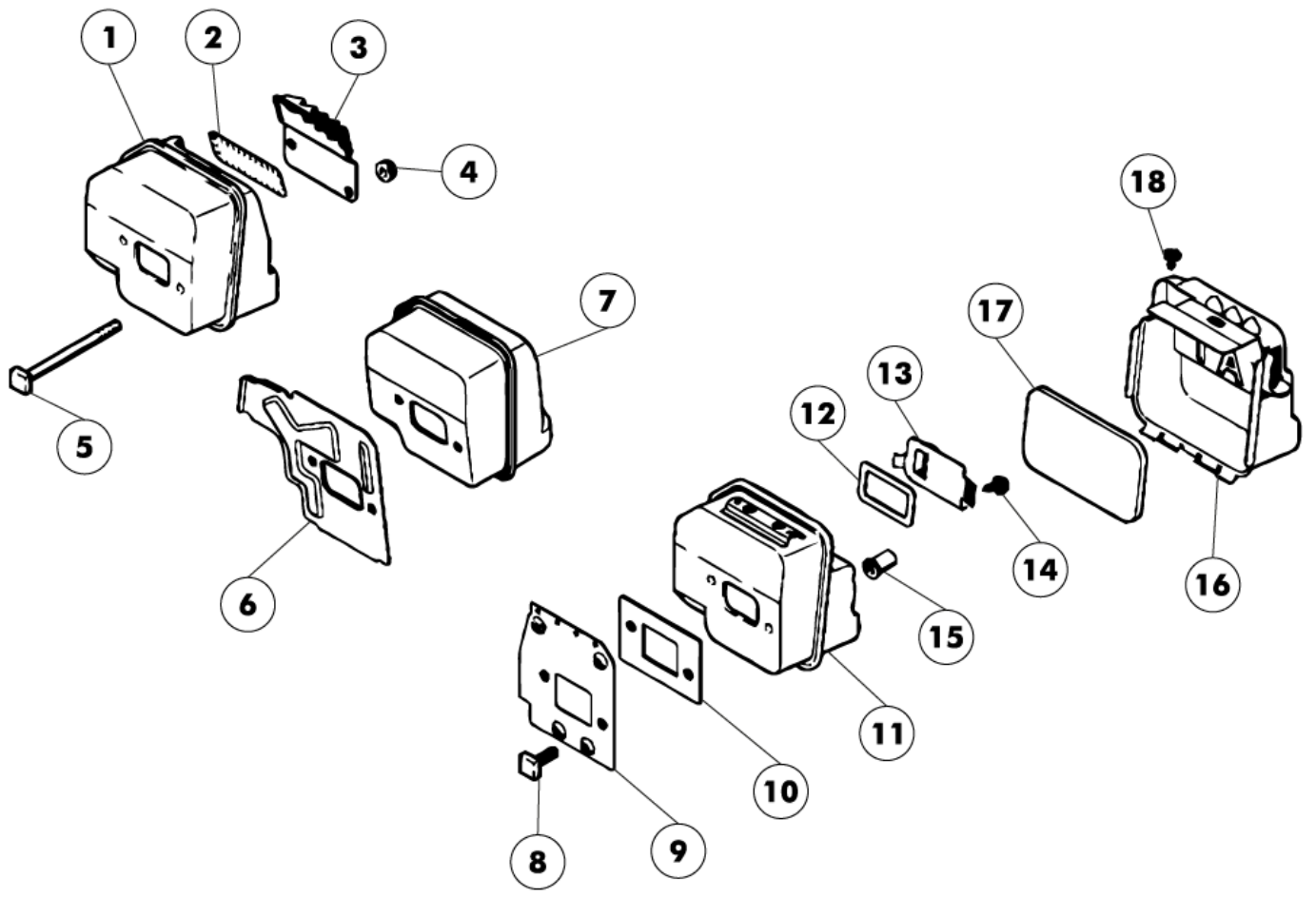


Cylinder Assembly

Ref.	Part No.	Details
1	1130 020 1207	Cylinder with piston Dia.37 mm (incl. 2 - 5, 12)
2	350 068	Non-Gen Piston Ø 37 mm
2	1130 030 2000	Piston Ø 37 mm
3	1130 034 3003	Piston ring Dia.37x1.2 mm
4	1130 034 1500	Piston pin 8x4x25
5	9463 650 0807	Snap Ring 8x0.7
6	350 031	Non-Gen Crankshaft
6	1132 030 0401	Crankshaft
7	9503 003 0312	Grooved ball bearing 6002
8	9638 003 1581	Oil seal 15x25x5
9	9639 003 1585	Oil seal 15x25x5
10	9468 621 1520	Circlip 15x1
11	1130 021 2504	Engine pan
12	9075 478 4159	Pan Head Self-Tapping Screw Is-D5x24
13	BPMR7A	Spark plug NGK BPMR7A
14	0000 400 7016	Spark plug STIHL
15	1110 400 7005	Spark Plug Bosch Wsr 6 F
16	0783 830 2000	Tube Of Sealant Ht Red

Muffler Assembly

Stihl MS170 Chainsaw **Muffler Assembly**

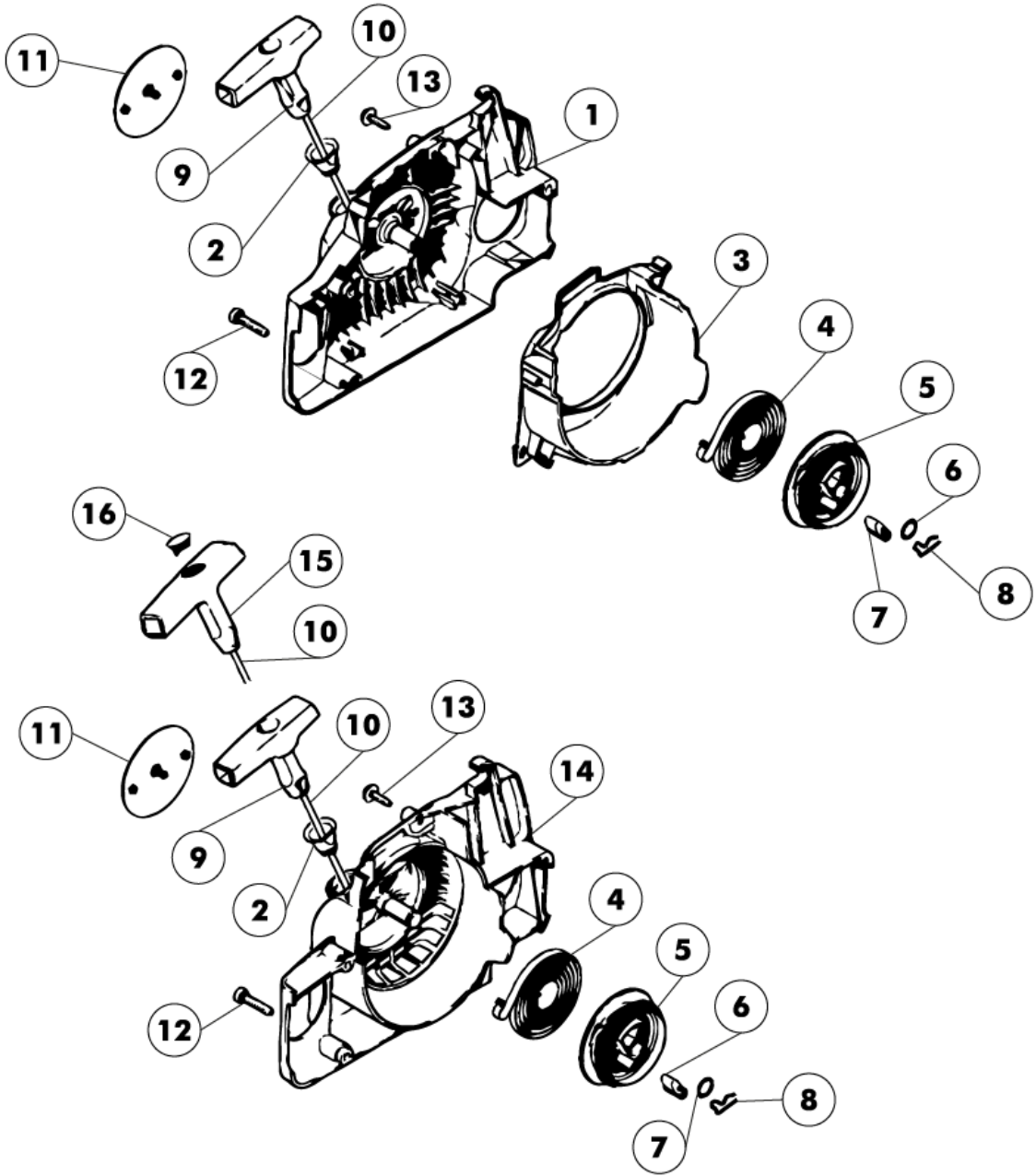


Muffler Assembly

Ref.	Part No.	Details
1	1130 140 0600	Muffler
2	1130 141 9000	Screen
3	1130 145 2900	Muffler cover
4	9216 261 0700	Hexagon Nut M5
5	1123 148 1201	Screw M5x65
6	1130 141 3205	Cooling Plate
7	1130 140 0614	Muffler
8	0000 148 1200	Screw M5x15
9	1130 141 3201	Cooling plate
10	1130 149 0601	Muffler gasket
11	1130 140 0613	Muffler (incl. 19 - 21)
12	1130 149 0600	Muffler gasket
13	1130 146 7400	Deflecting plate
15	0000 148 2000	Nut
17	1130 146 9000	Insulating pad
18	9099 021 0805	Self-Tapping Screw 4.2x6.5

Rewind Starter Assembly

Stihl MS170 Chainsaw Rewind Starter Assembly



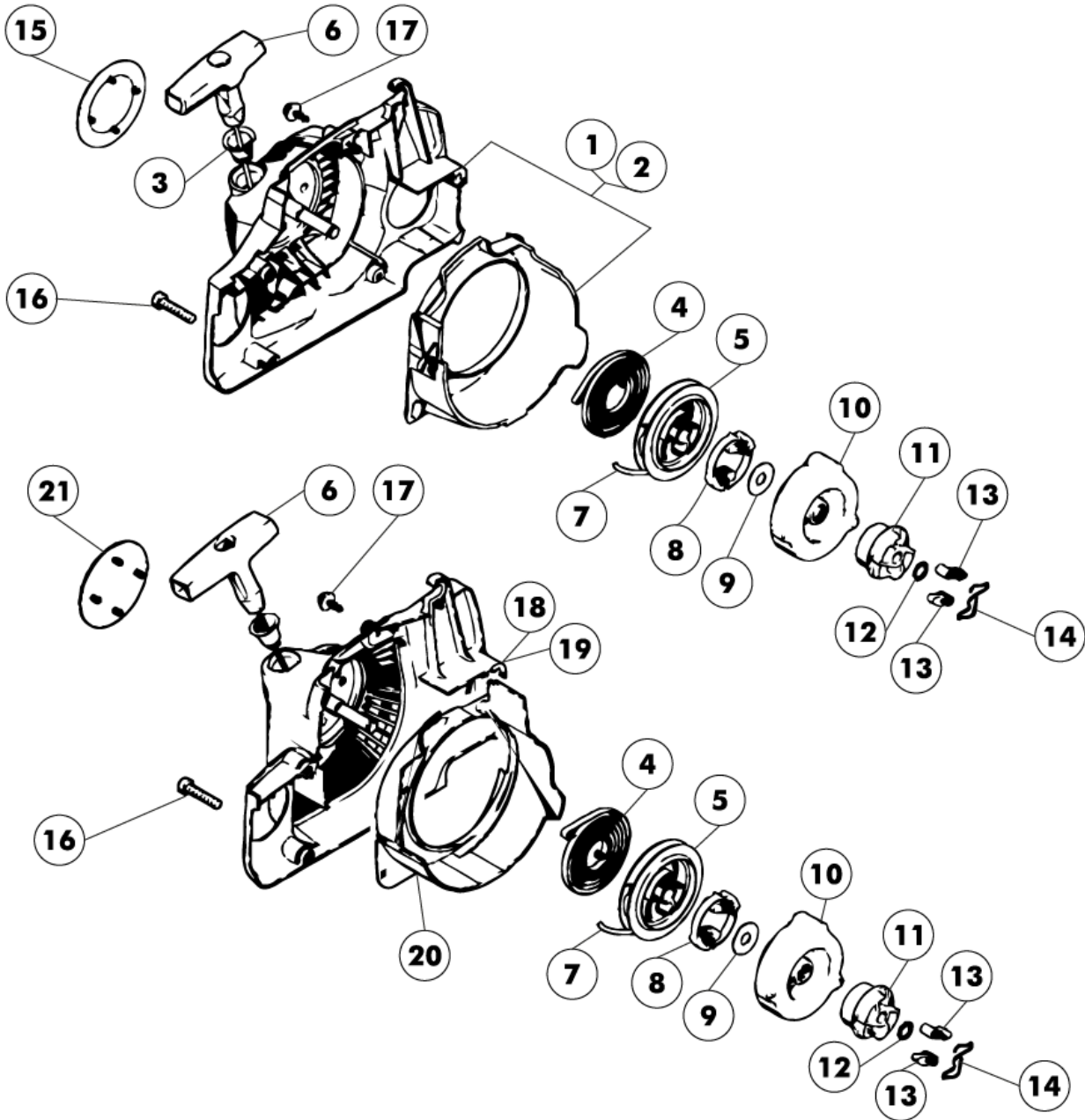
Rewind Starter Assembly

Ref.	Part No.	Details
0	1130 080 2100	Fan housing with rewind starter
0	725 019	Non-Gen Fan housing with rewind starter
0	1130 080 2110	Fan housing with rewind starter (incl. 1 - 11)
0	1130 080 2105	Fan housing with rewind starter (incl. 2, 4 - 8, 10, 11, 14 - 16)
1	1130 080 1807	Fan housing (incl. 2)
2	1110 084 9102	Bushing
3	1130 084 7801	Segment
4	1129 190 0601	Rewind spring
5	1123 195 0400	Rope Rotor
6	1125 195 7200	Pawl
7	0000 958 0923	Washer
8	1118 195 3500	Spring
9	1121 195 3400	Starter grip
10	0000 195 8200	Starter Rope Ø 3x800 Mm
11	1130 967 1504	Model plate MS 170
12	9075 478 4155	Pan Head Self-Tapping Screw Is-D5x24
13	9104 003 8733	Self-tapping screw P4x16
14	1130 080 1800	Fan housing (incl. 2, 11)
15	0000 190 3402	Starter grip ElastoStart Dia.3 mm (incl. 8, 9)
16	0000 195 7001	Cap

Rewind Starter ErgoStart/Easy2Start Assembly

Stihl MS170 Chainsaw

Ergo Start & Easy Start Rewind Starter



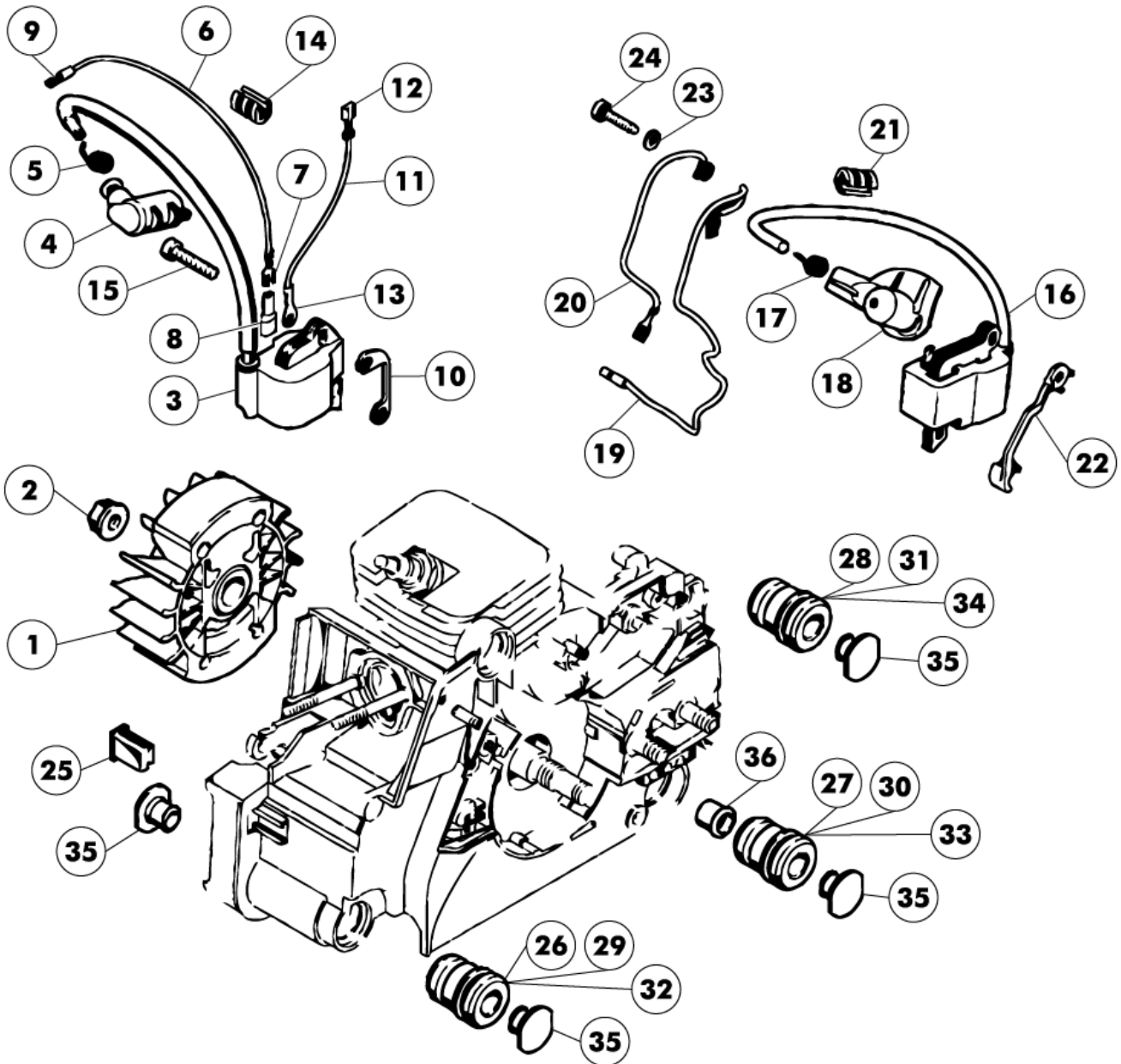
Rewind Starter ErgoStart/Easy2Start Assembly

Ref.	Part No.	Details
0	0000 930 2281	Starter Rope Ø 2.7 Mm X 30.8 M
3	1110 084 9102	Bushing
4	1123 190 0600	Rewind spring
5	1123 195 0401	Rope rotor
6	1121 195 3400	Starter grip
7	4137 195 8200	Starter Rope Ø 2.7x910 Mm
8	1130 195 2001	Carrier
9	1123 195 9001	Washer
10	1130 190 0700	Spring housing
11	1130 195 2000	Carrier
12	0000 958 0806	Washer
13	1123 195 7200	Pawl
14	1130 195 3501	Spring
16	9075 478 4155	Pan Head Self-Tapping Screw Is-D5x24
17	9104 003 8733	Self-tapping screw P4x16
18	1130 080 2103	Fan housing with rewind starter (incl. 3 - 15, 19, 20)
19	1130 080 1803	Fan housing (incl. 3)
20	1130 084 7800	Segment
21	1130 967 1508	Model plate MS 170 C

Ignition System & AV System Assembly

Stihl MS170 Chainsaw

Ignition and AV System Assembly



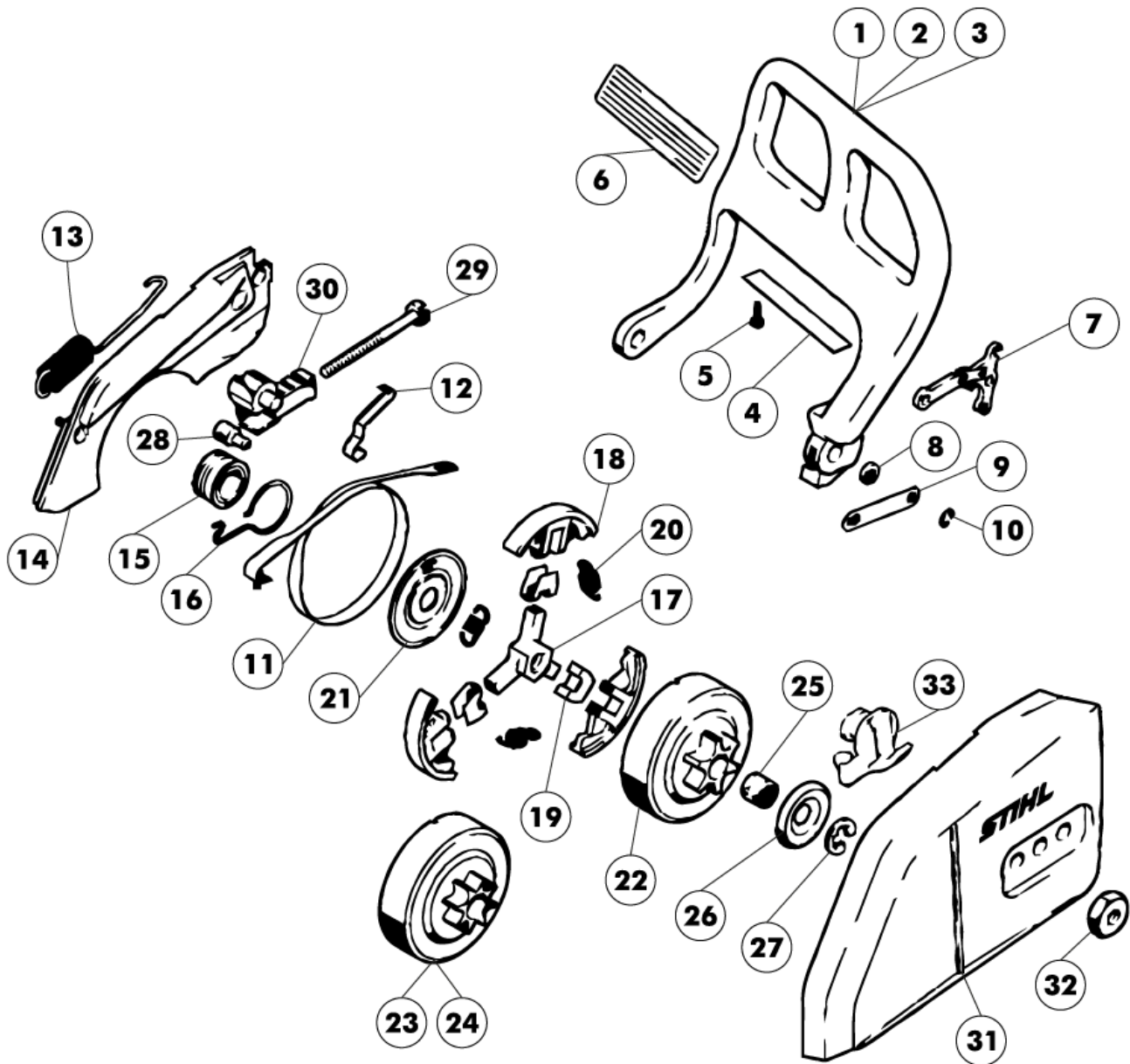
Ignition System & AV System Assembly

Ref.	Part No.	Details
1	1130 400 1201	Flywheel
2	0000 955 0802	Collar Nut M8x1
3	1130 400 1302	Ignition module (incl. 4, 5)
4	1128 405 1000	Spark plug boot
4	410 601	Non-Gen Spark plug boot
6	1130 440 1101	Short circuit wire
9	0751 030 8490	Terminal socket 3.5
10	1130 405 8000	Insulator
11	1130 440 2201	Ground wire 125 mm / 4 15/16"
13	0751 030 8969	Terminal socket A5-1.5
15	9075 478 4155	Pan Head Self-Tapping Screw Is-D5x24
16	1130 400 1308	Ignition module (incl. 17, 18)
17	0000 998 0604	Spark Plug Contact Spring
18	1130 405 1001	Spark plug boot for Stihl MS 170, MS 180 Chainsaw
19	1130 440 1102	Short circuit wire
20	1130 440 2203	Ground wire
21	1130 448 1201	Lead retainer
22	1130 405 8004	Insulator
23	9291 021 0100	Washer 4.3
24	9075 478 3022	Pan Head Self-Tapping Screw Is-D4x20
25	1130 791 5900	Stop buffer
33	1123 791 2800	Annular buffer
35	1123 791 7300	Plug
36	1123 791 7305	Plug

Hand Guard & Chain Brake Assembly

Stihl MS170 Chainsaw

Hand Guard and Chain Brake Assembly



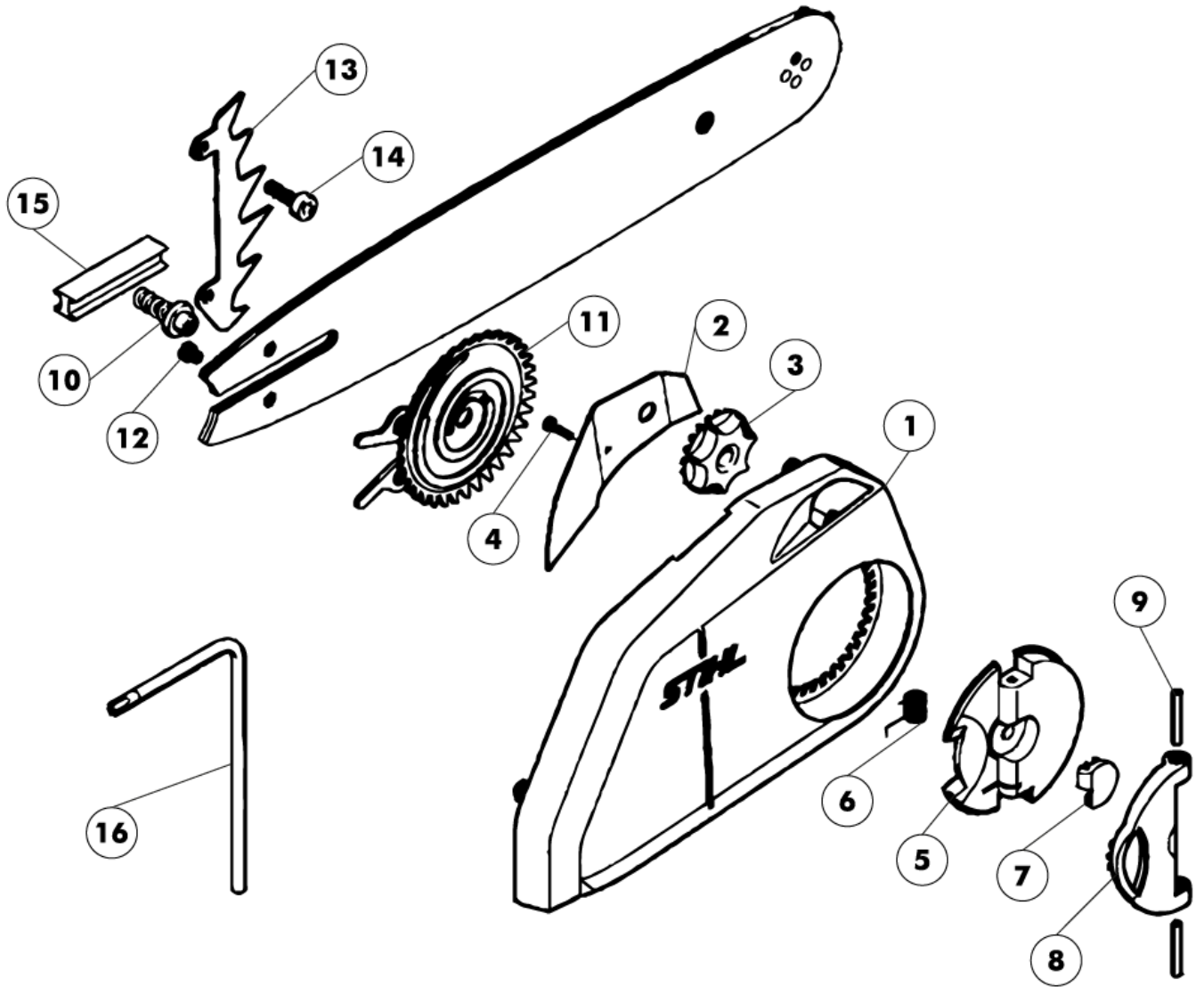
Hand Guard & Chain Brake Assembly

Ref.	Part No.	Details
1	1130 792 9100	Hand guard
3	1130 790 9100	Hand guard (incl. 5, 6)
4	1130 145 0600	Heat shield
5	9104 003 8600	Self-tapping screw P3x10
7	1128 160 5000	Lever
8	0000 958 0521	Washer
9	1123 162 5800	Strap
10	9460 624 0400	E-Clip 4
11	1123 160 5400	Brake band
12	1123 162 7800	Flat spring
13	1123 162 7900	Tension spring
14	1130 021 1100	Cover
15	1123 640 7102	Worm gear (incl. 8)
16	1123 647 2400	Spring
17	1123 160 2050	Clutch (incl. 6 - 10)
18	1129 162 0800	Clutch Shoe
19	1127 162 3000	Retainer
20	0000 997 5515	Tension spring
21	1121 162 1001	Cover washer
22	350 073	Non-Gen Chain sprocket 3/8" Picco 6T
22	1123 640 2003	Chain sprocket 3/8" Picco 6T
23	1123 640 2007	Chain sprocket 1/4" 8T
25	9512 933 2260	Needle cage 10x13x10
26	0000 958 1022	Washer Dia.27 mm
27	9460 624 0801	E-Clip 8x1.3
28	1120 664 1500	Tensioning nut
29	1123 664 1605	Adjusting screw
30	1123 664 2205	Cover
32	0000 955 0801	Hexagon nut M8
33	1123 656 7700	Chain catcher

Quick Chain Tensioner Assembly

Stihl MS170 Chainsaw

Quick Chain Tensioner Assembly



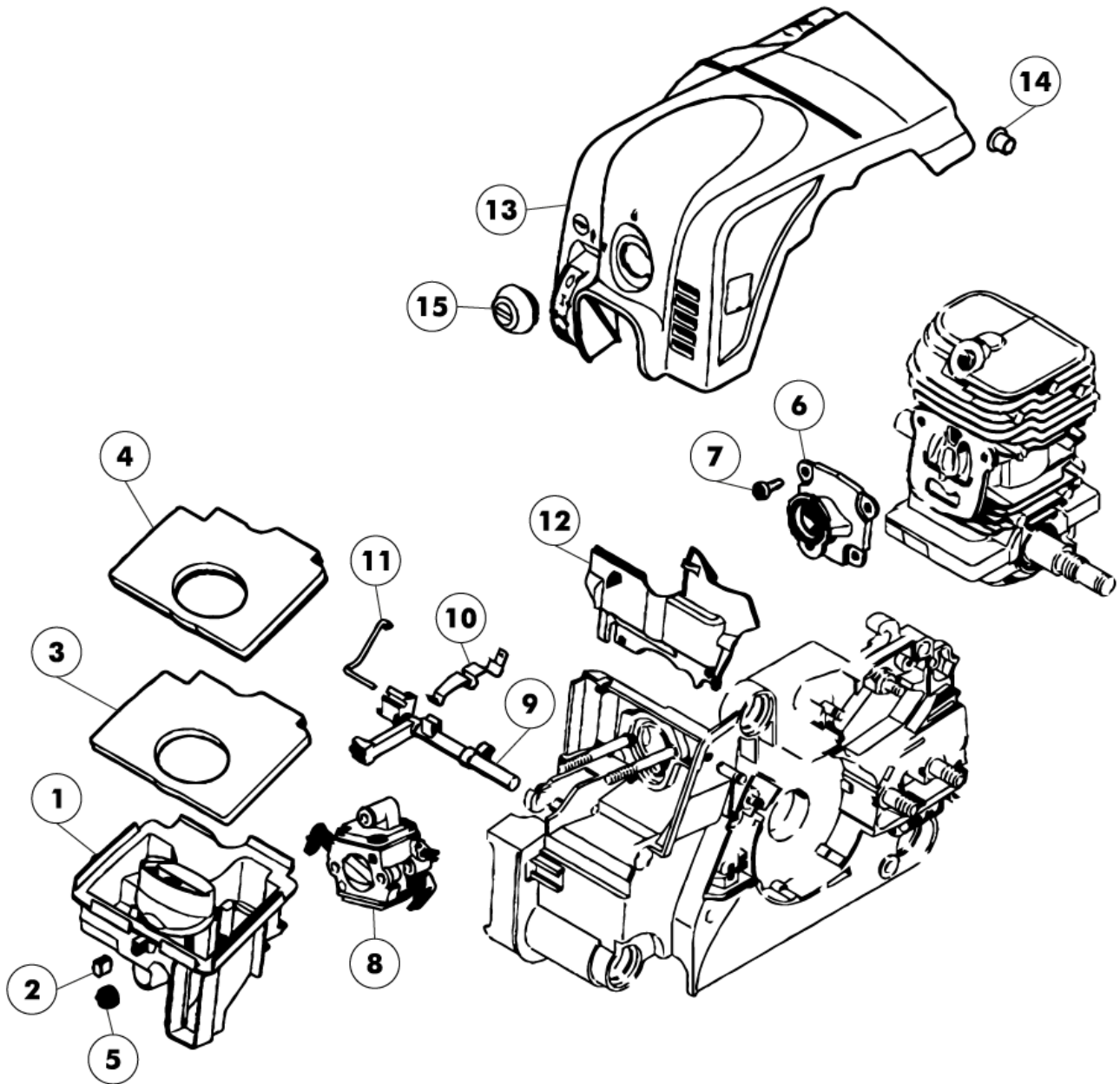
Quick Chain Tensioner Assembly

Ref.	Part No.	Details
0	1123 007 1008	Quick tensioner parts (incl. 1 - 15)
1	1123 640 1700	Chain sprocket cover (incl. 2 - 4)
2	1123 648 3800	Cover plate
3	1123 648 2202	Adjusting wheel
4	9104 003 8600	Self-tapping screw P3x10
5	1121 660 1000	Wing nut
10	1123 664 2402	Collar screw
11	1123 660 3001	Tensioning gear
12	9041 319 0600	Pan head screw M4x5
13	1123 664 0501	Bumper spike
14	9075 478 4115	Pan Head Self-Tapping Screw Is-D5x16
15	1123 021 2800	Insert
16	0812 370 1000	Screwdriver T27x120x70

Air Filter & Shroud 2-Mix Assembly

Stihl MS170 Chainsaw

Air Filter and Shroud 2-Mix Assembly



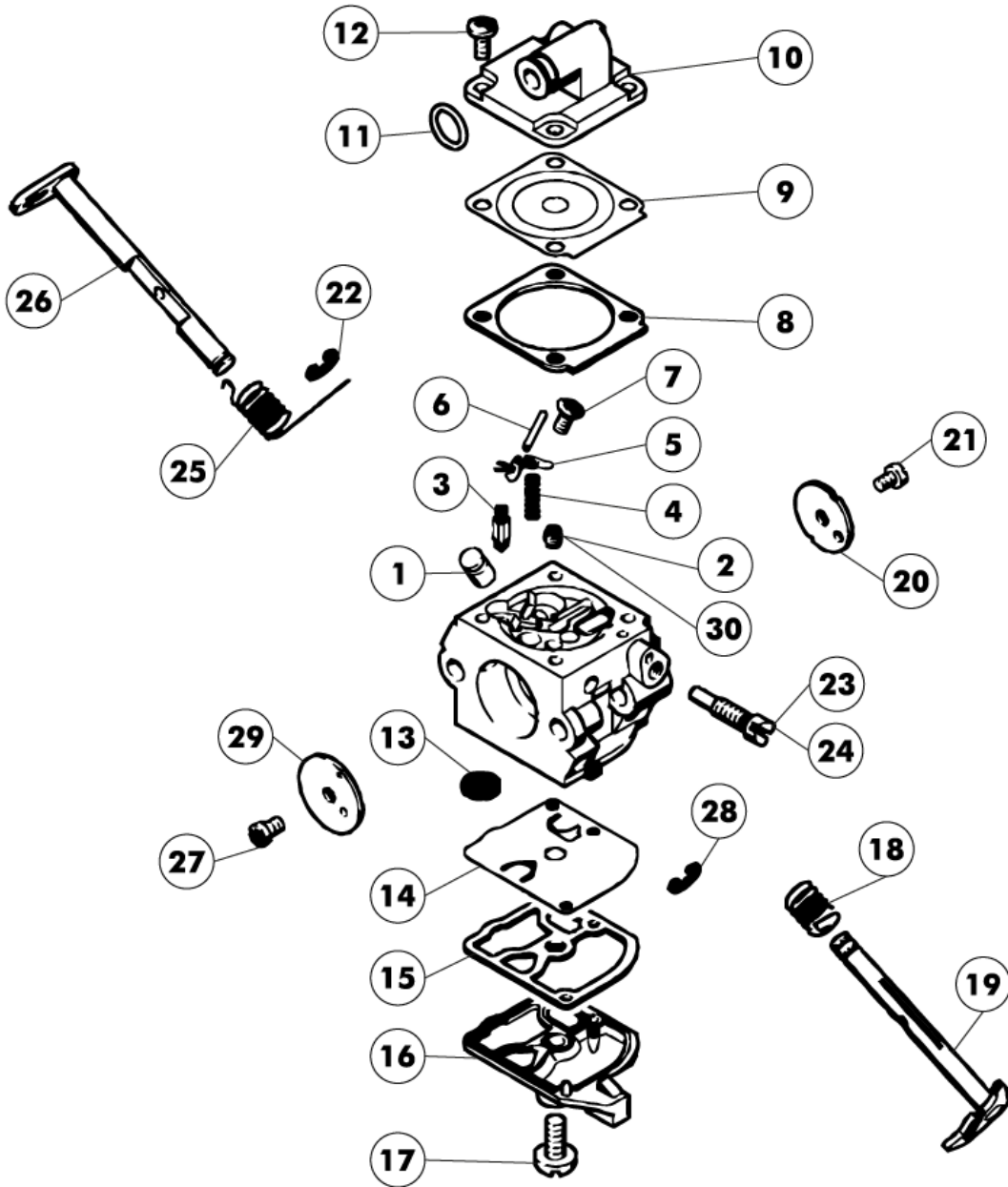
Air Filter & Shroud 2-Mix Assembly

Ref.	Part No.	Details
0	170 200	Filter Service Kit MS170 2-Mix
1	1130 140 2812	Filter housing (incl. 2, 3)
2	1130 124 7100	Sleeve
3	1130 141 1700	Filter plate
5	9216 261 0700	Hexagon Nut M5
6	1130 140 2500	Manifold
7	9075 478 3012	Pan Head Self-Tapping Screw Is-D4x12
8	1130 120 0610	Carburetor C1Q-S237C
9	1130 182 0900	Switch shaft
11	1130 185 2000	Choke rod
12	1130 124 3203	Baffle plate
13	1130 140 4714	Shroud (incl. 20, 21)
14	1130 141 1801	Sleeve
15	1130 141 2306	Twist lock

Carburetor C1Q-S57 & C1Q-S264 Assembly

Stihl MS170 Chainsaw

Carb C1Q-S57/C1Q-S264 Assembly



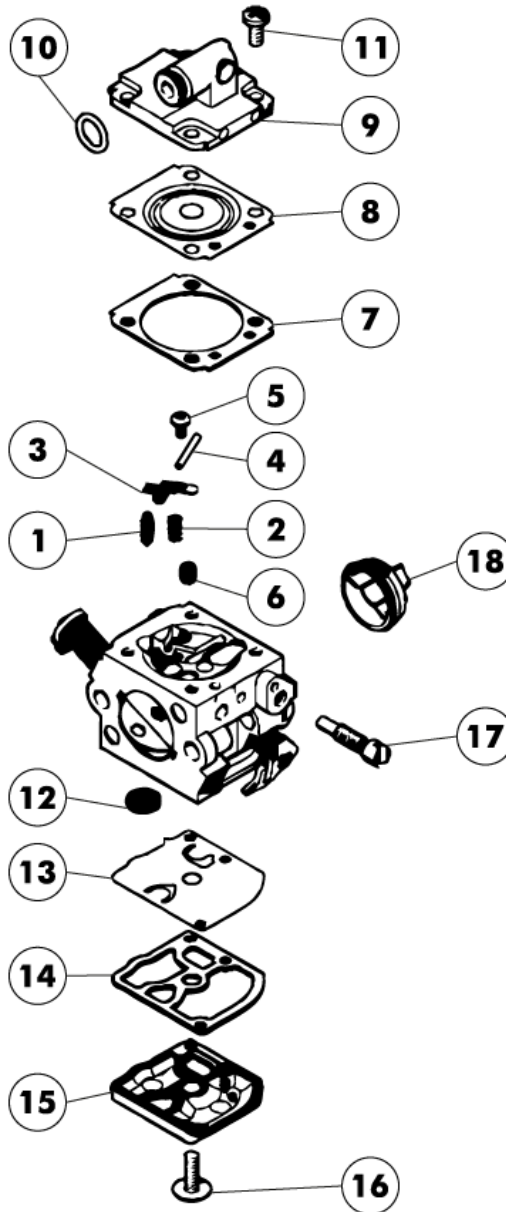
Carburetor C1Q-S57 & C1Q-S264 Assembly

Ref.	Part No.	Details
0	1130 007 1061	Set of carburetor parts (incl. 8, 9, 14, 15)
0	350 063	Non-Gen Carburetor C1Q-S57G
0	1130 120 0603	Carburetor C1Q-S57G
1	1130 121 5401	Valve jet
2	1130 121 5604	Fixed jet 0.45
3	4116 121 5100	Inlet Needle
4	1130 122 3001	Spring
5	1125 121 5000	Inlet Control Lever
6	1120 121 9200	Spindle
7	1120 122 6600	Collar Screw
8	1130 129 0901	Gasket
9	1130 121 4700	Metering diaphragm
10	1130 121 0800	End cover
11	9646 945 0490	O-Ring 7x1.5
12	1120 122 6601	Collar screw
13	1123 121 7800	Strainer
14	1130 121 4800	Pump diaphragm
15	1130 129 0900	Gasket
16	1130 121 0801	End cover
17	1120 122 7800	Oval Head Screw
19	1130 120 7101	Throttle shaft with lever
20	1130 121 3302	Throttle shutter
21	1120 122 7400	Round head screw
22	1125 122 9001	E-Clip
23	1130 122 6301	Idle speed screw
24	1130 122 6300	Idle speed screw
25	1123 122 3203	Torsion spring
26	1123 120 7200	Choke shaft with lever
27	1125 122 7403	Round Head Screw
28	1125 122 9002	E-clip
29	1132 121 2901	Choke shutter
30	4137 121 5601	Fixed Jet 0.42

Carburetor C1Q-S237 2-Mix Assembly

Stihl MS170 Chainsaw

Carburetor C1Q-S237 2-Mix Assembly



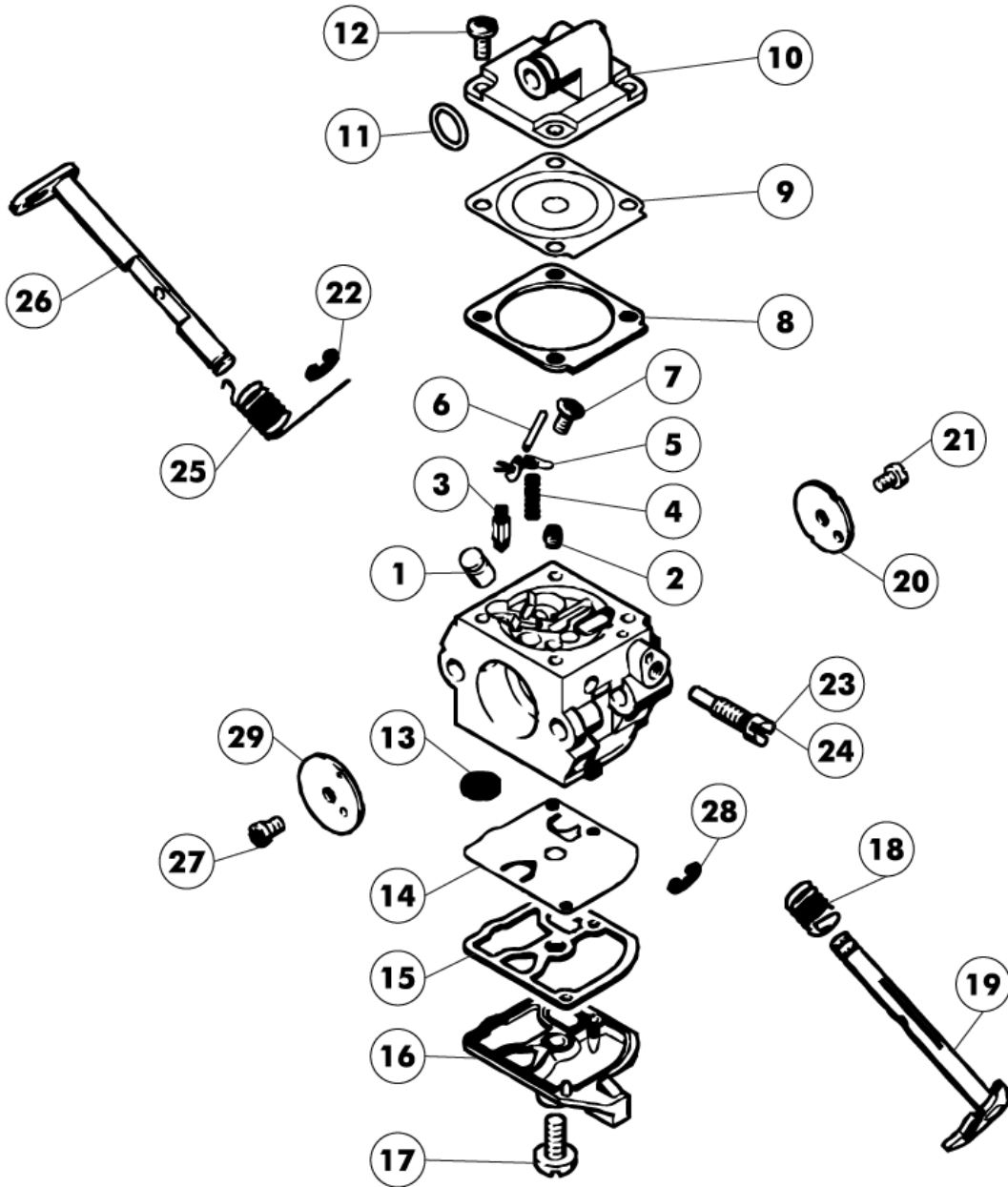
Carburetor C1Q-S237 2-Mix Assembly

Ref.	Part No.	Details
0	1130 007 1700	Set of carburetor parts (incl. 7, 8, 13, 14)
0	1130 120 0610	Carburetor C1Q-S237C
1	4116 121 5100	Inlet Needle
2	1120 122 3004	Spring
3	1125 121 5000	Inlet Control Lever
4	1120 121 9200	Spindle
5	0000 122 7101	Screw
7	1145 129 0900	Gasket
8	1130 121 4701	Metering diaphragm
9	1130 121 0802	End cover
10	9646 945 0490	O-Ring 7x1.5
11	1120 122 6601	Collar screw
12	1123 121 7800	Strainer
13	1129 121 4800	Pump Diaphragm
14	1123 129 0905	Gasket
15	1130 125 0200	Pump cover
16	1120 122 7800	Oval Head Screw
17	1130 122 6301	Idle speed screw
18	1130 141 1804	Sleeve

Carburetor C1Q-S137 & C1Q-S137 BR Assembly

Stihl MS170 Chainsaw

Carb C1Q-S137/C1Q-S137 BR Assembly



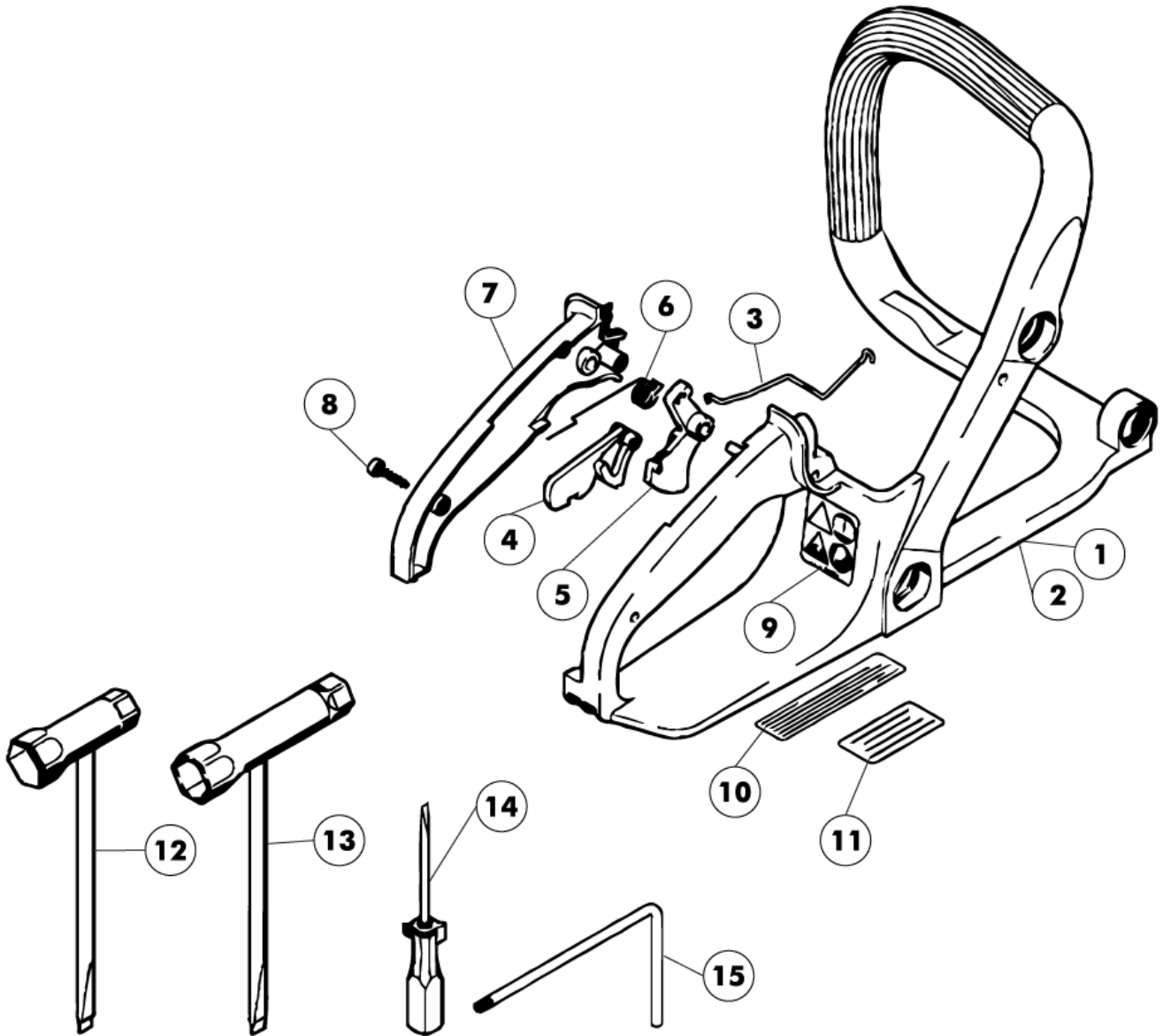
Carburetor C1Q-S137 & C1Q-S137 BR Assembly

Ref.	Part No.	Details
0	1130 007 1061	Set of carburetor parts (incl. 8, 9, 14, 15)
1	1130 121 5401	Valve jet
2	1130 121 5605	Fixed jet 0.49
3	4116 121 5100	Inlet Needle
4	1130 122 3001	Spring
5	1125 121 5000	Inlet Control Lever
6	1120 121 9200	Spindle
7	1120 122 6600	Collar Screw
8	1130 129 0901	Gasket
9	1130 121 4700	Metering diaphragm
10	1130 121 0800	End cover
11	9646 945 0490	O-Ring 7x1.5
12	1120 122 6601	Collar screw
13	1123 121 7800	Strainer
14	1130 121 4800	Pump diaphragm
15	1130 129 0900	Gasket
16	1130 121 0801	End cover
17	1120 122 7800	Oval Head Screw
19	1130 120 7101	Throttle shaft with lever
20	1130 121 3302	Throttle shutter
21	1120 122 7400	Round head screw
22	1125 122 9001	E-Clip
23	1130 122 6301	Idle speed screw
24	1130 122 6300	Idle speed screw
25	1123 122 3203	Torsion spring
26	1123 120 7200	Choke shaft with lever
27	1125 122 7403	Round Head Screw
28	1125 122 9002	E-clip
29	1132 121 2901	Choke shutter

Handle Frame & Tools Assembly

Stihl MS170 Chainsaw

Handle Frame and Tools Assembly



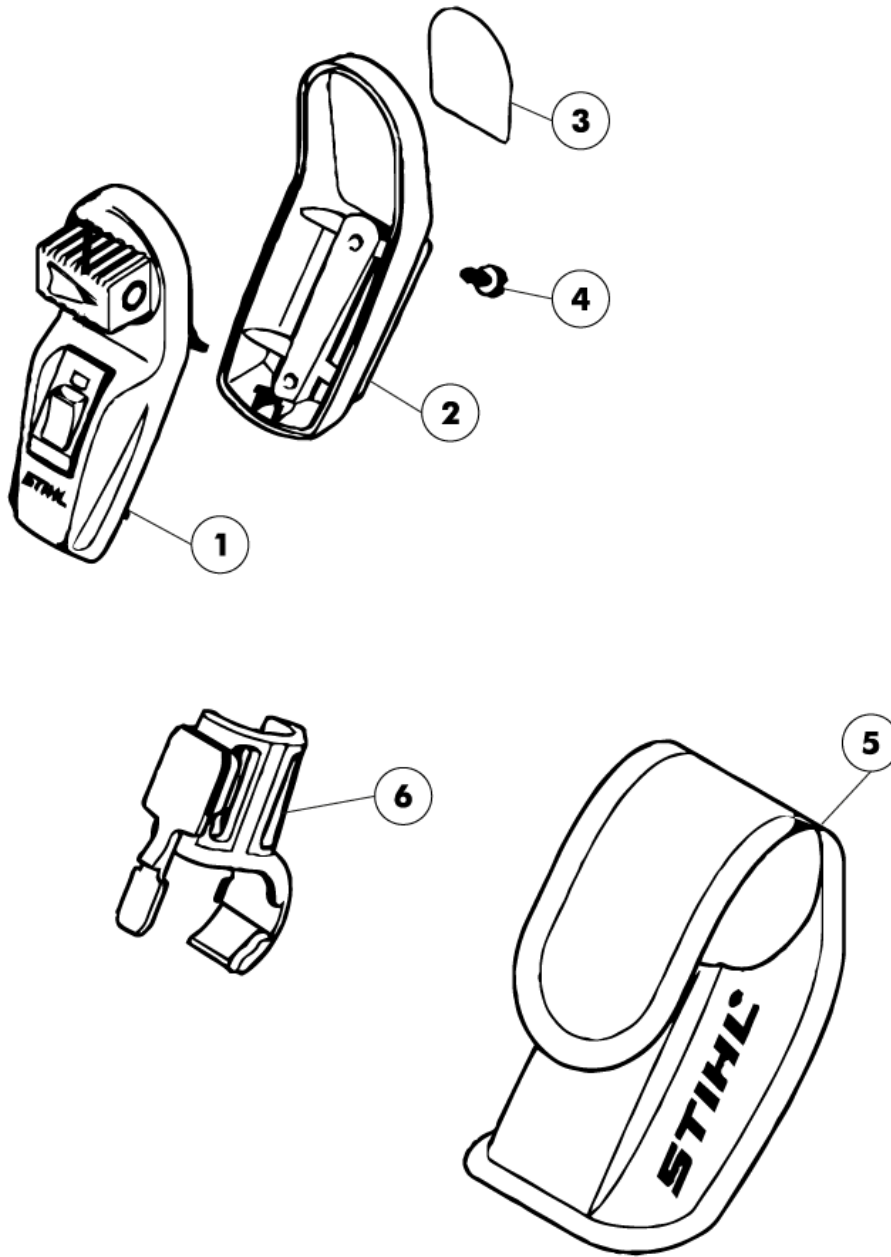
Handle Frame & Tools Assembly

Ref.	Part No.	Details
1	1130 791 4901	Handle frame
2	1130 791 4903	Handle frame
3	1130 182 1502	Throttle rod
4	1130 182 0800	Lockout lever
5	1130 182 1000	Throttle trigger
6	400 230	Non-Gen Torsion spring
6	1117 182 4500	Torsion spring
7	1130 791 0601	Handle molding
8	9074 478 3075	Pan Head Screw Is P4x19
9	0000 967 7250	Warning pictogram MS
12	1129 890 3401	Combination wrench
13	0000 890 3400	Combination wrench
14	0000 890 2300	Screwdriver
15	0812 370 1000	Screwdriver T27x120x70

2-in-1 Laser Assembly

Stihl MS170 Chainsaw

2-in-1 Laser Assembly



2-in-1 Laser Assembly

Ref.	Part No.	Details
2	0000 430 9900	Handle molding, bottom (incl. 3)
3	0000 967 7307	Warning pictogram
4	9074 478 2967	Pan Head Self-Tapping Screw Is-P4x10
5	0000 491 0100	Bag