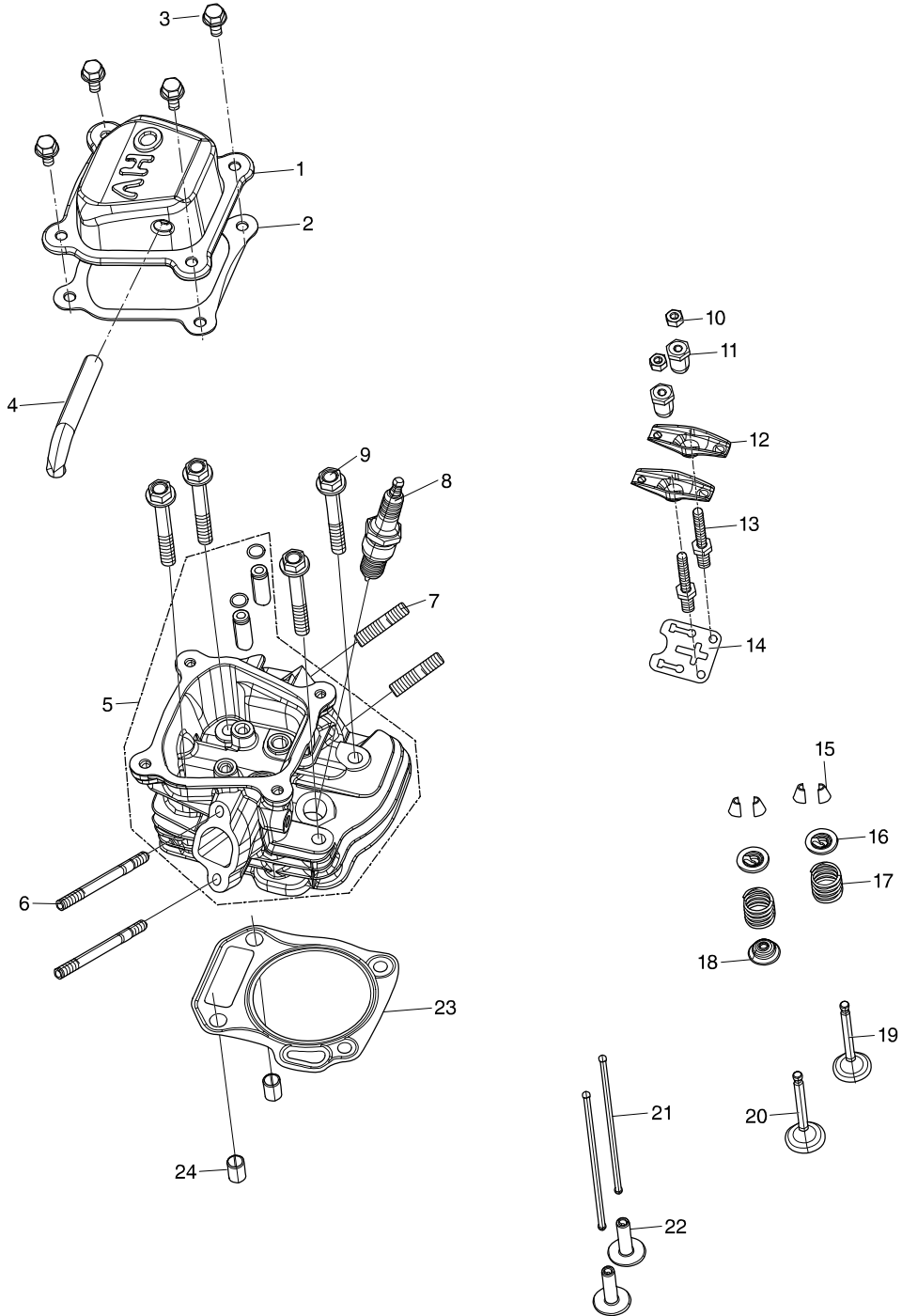
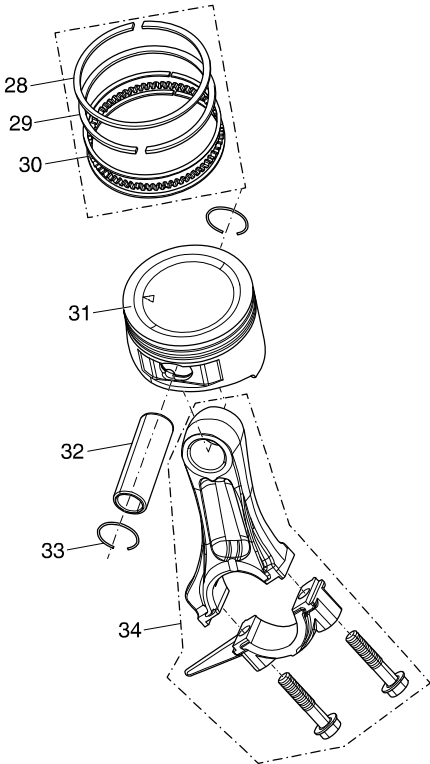


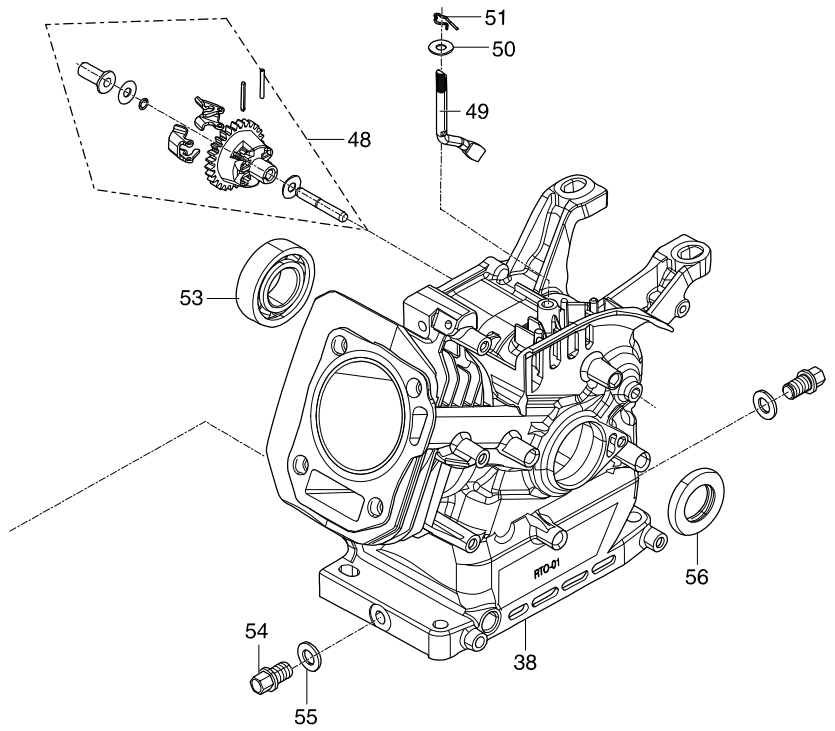
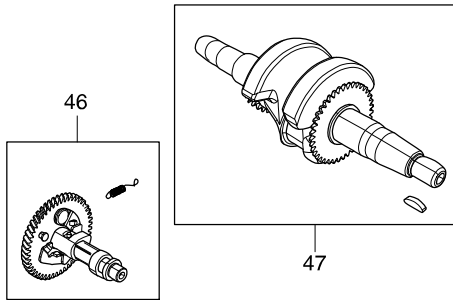
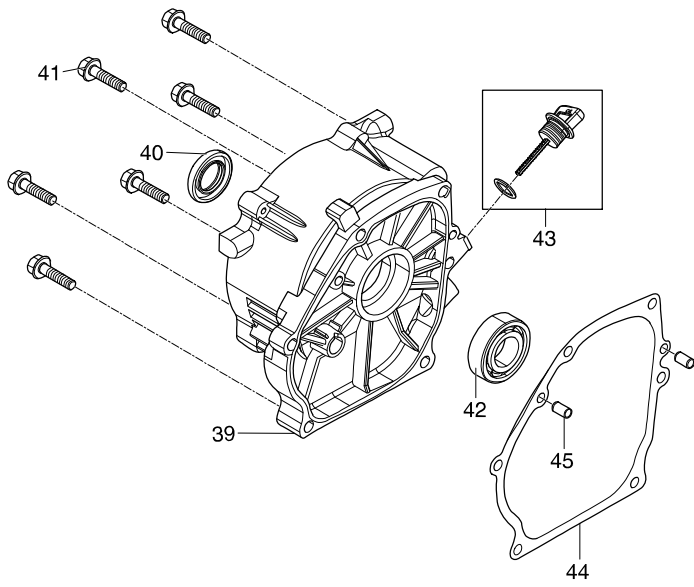
Model No. EG2850A PETROL GENERATOR



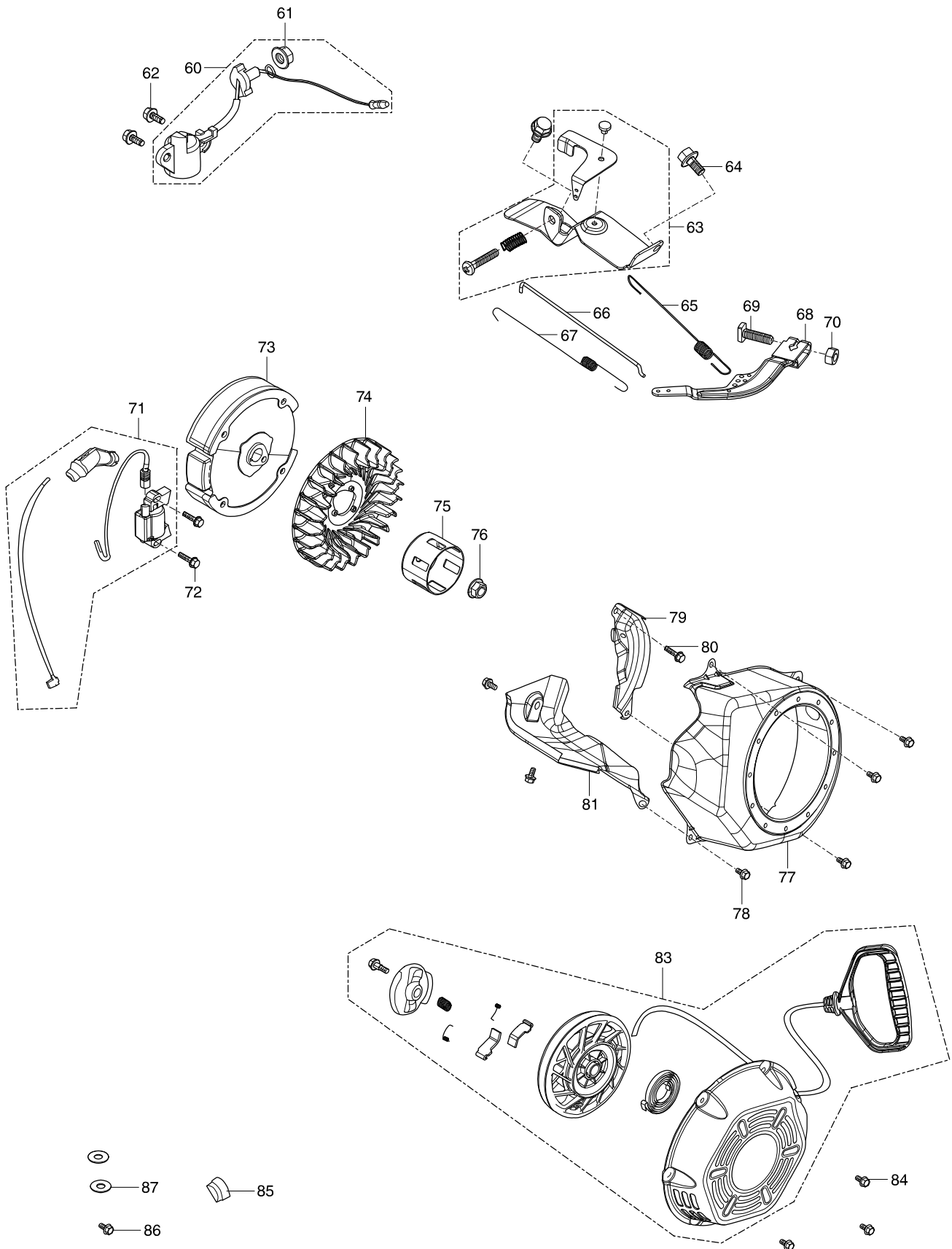
Model No. EG2850A PETROL GENERATOR



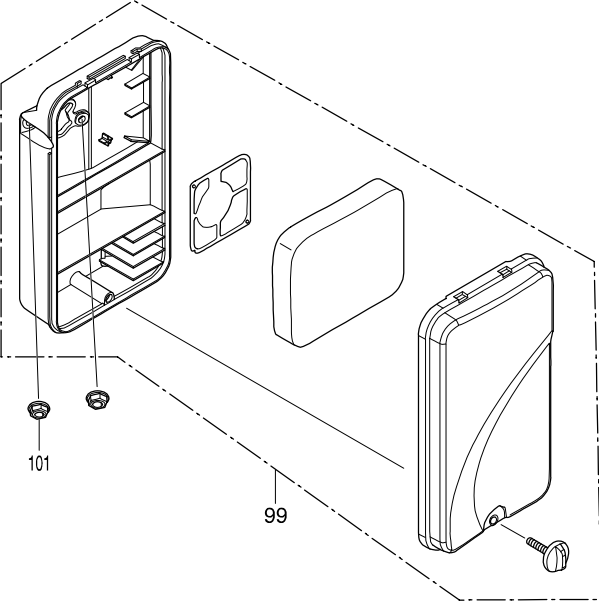
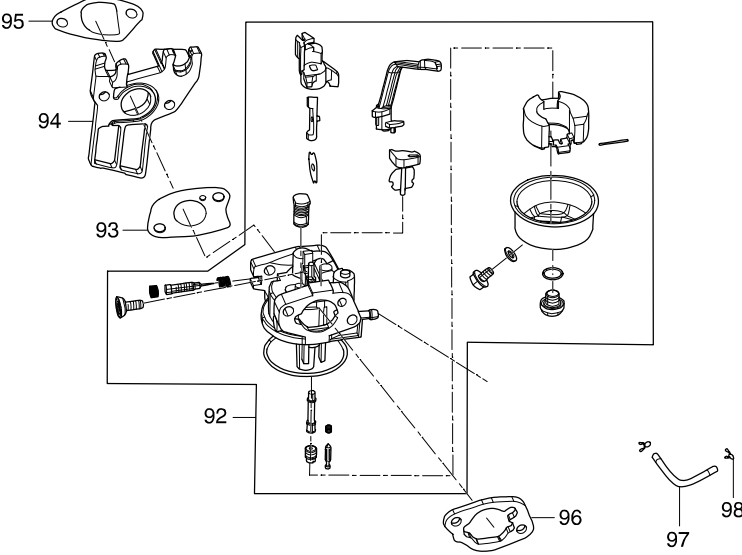
Model No. EG2850A PETROL GENERATOR



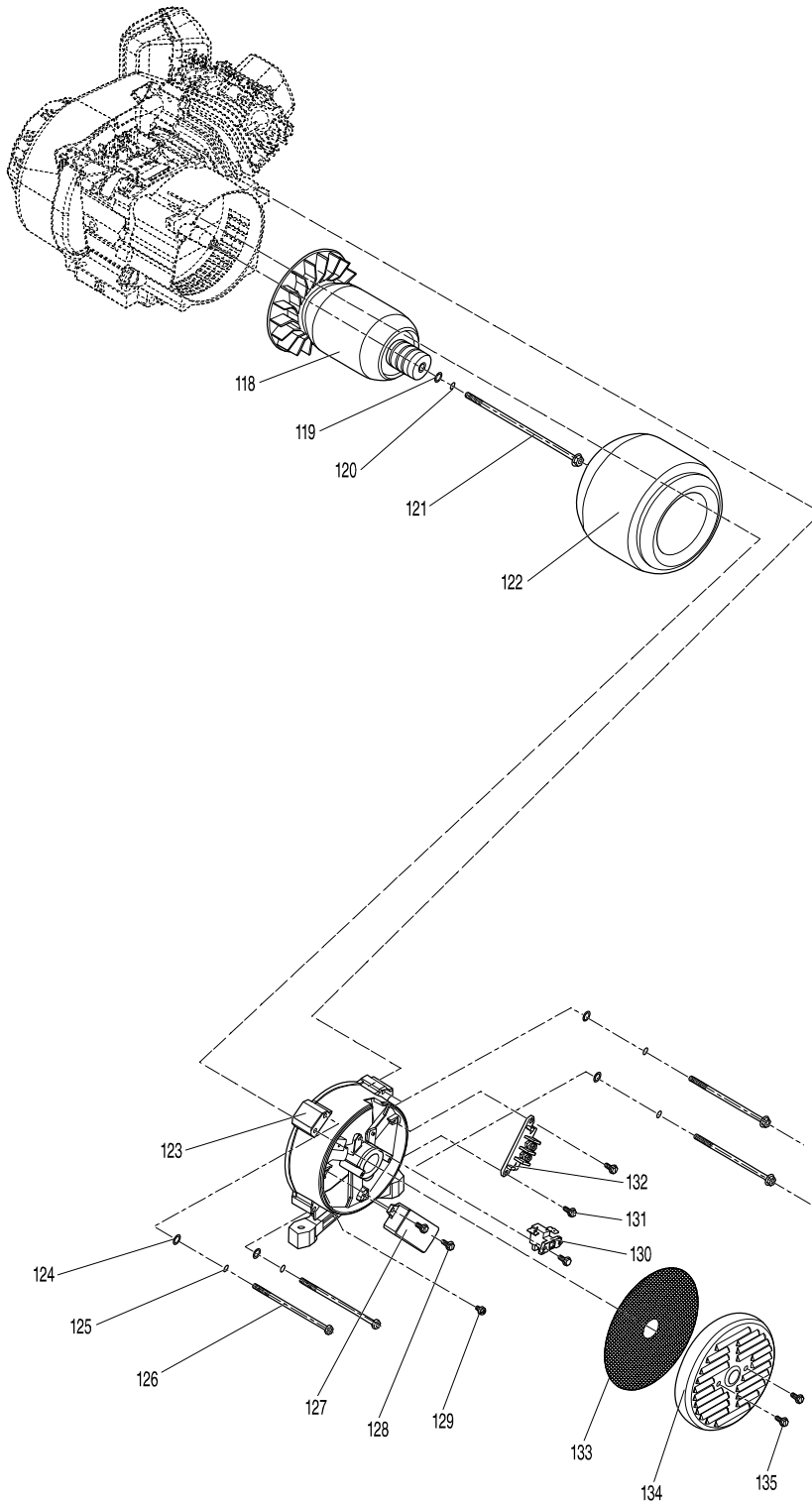
Model No. EG2850A PETROL GENERATOR



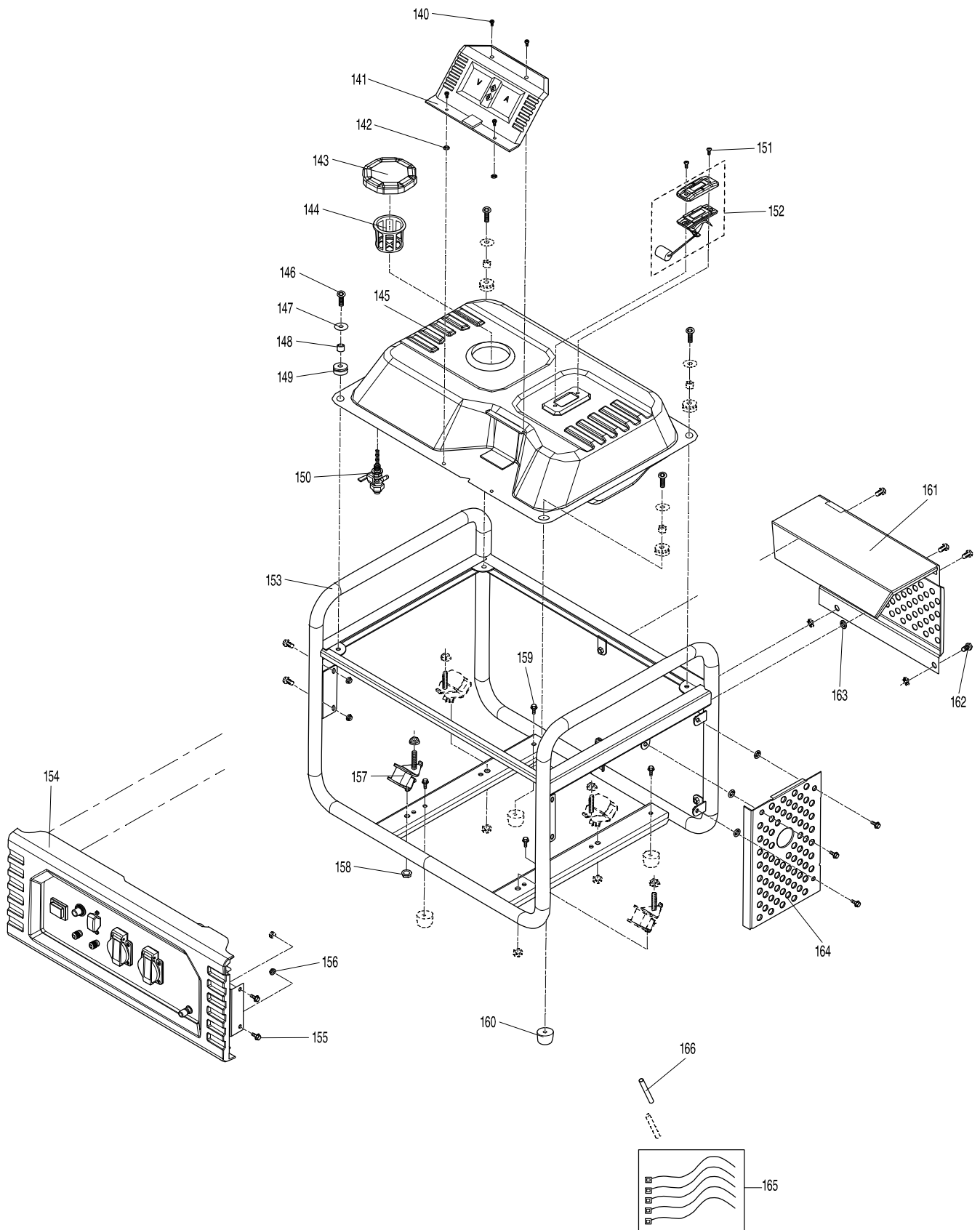
Model No. EG2850A PETROL GENERATOR



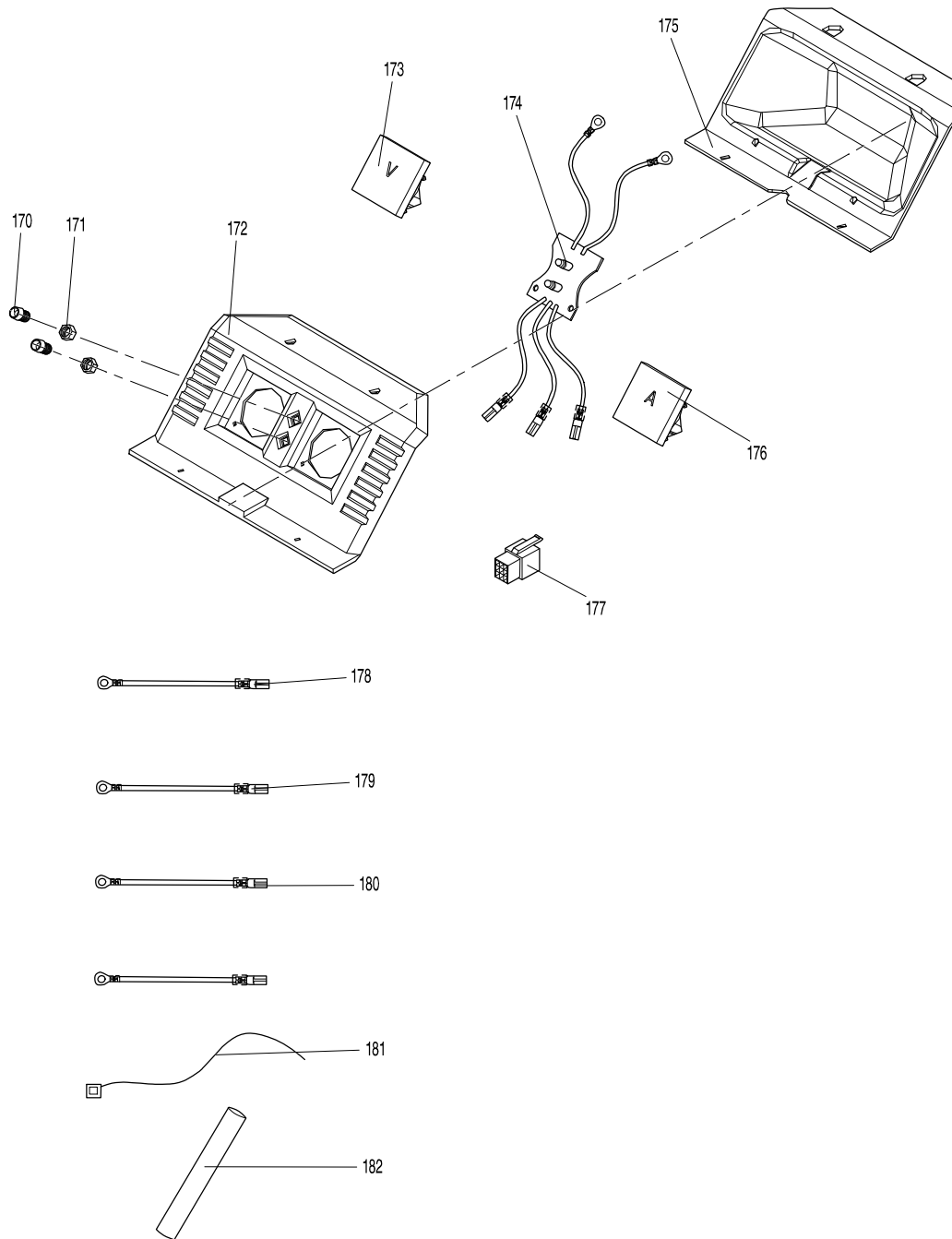
Model No. EG2850A PETROL GENERATOR



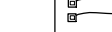
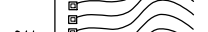
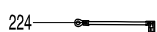
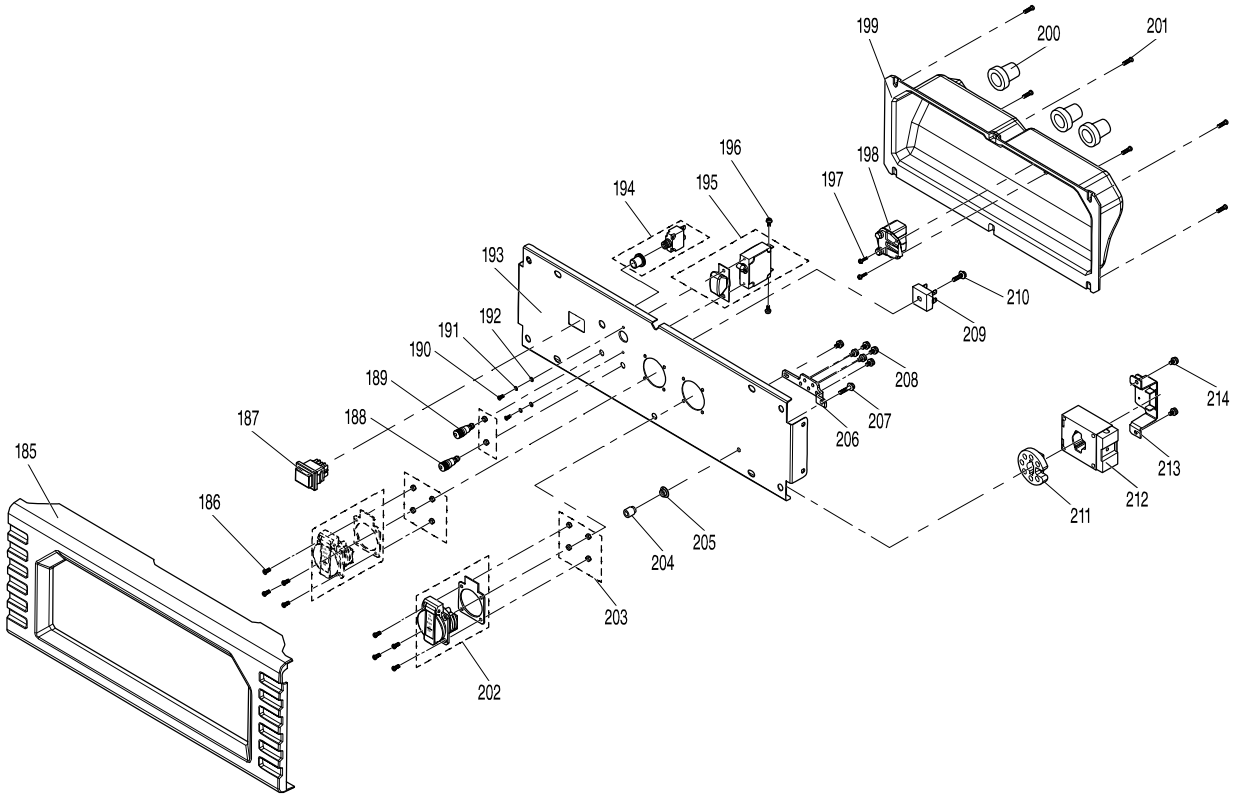
Model No. EG2850A PETROL GENERATOR



Model No. EG2850A PETROL GENERATOR



Model No. EG2850A PETROL GENERATOR



Model No. EG2850A PETROL GENERATOR

Item	Parts No.	Description	I/C	QTY	N/O	Opt. 1	Opt. 2	NOTE
001	YA00000065	COVER SUBASSEMBLY, CYLINDER		1				
002	YA00000042	GASKET, CYLINDER HEAD COVER		1				
003	YA00000158	BOLT		4				
004	YA00000128	TUBE, BREATHER		1				
005	YA00000064	HEAD SUBASSEMBLY, CYLINDER		1				
006	YA00000168	STUD		2				
007	YA00000167	STUD		2				
008	YA00000147	PLUG, SPARK		1				
009	YA00000040	BOLT, CYLINDER HEAD		4				
010	YA00000098	NUT, VALVE LOCK		2				
011	YA00000100	NUT, VALVE ADJUSTING		2				
012	YA00000096	ROCKER, VALVE		2				
013	YA00000099	BOLT, ROCKER SHAFT		2				
014	YA00000092	PLATE SUBASSEMBLY, LIFTER		1				
015	YA00000050	ROTATOR, VALVE		4				
016	YA00000057	SEAT, VALVE SPRING		2				
017	YA00000048	SPRING, VALVE		2				
018	YA00000046	GUIDE, SEAL		1				
019	YA00000059	VALVE, EXHAUST		1				
020	YA00000055	VALVE, INTAKE		1				
021	YA00000089	LIFTER, VALVE		2				
022	YA00000090	TAPPET, VALVE		2				
023	YA00000062	GASKET, CYLINDER HEAD		1				
024	YA00000180	PIN		2				
028	YA00000075	RING, THE FIRST		1				
029	YA00000077	RING, THE SECOND		1				
030	YA00000079	RING SET, OIL		1				
031	YA00000069	PISTON		1				
032	YA00000071	PIN, PISTON		1				
033	YA00000073	CLIP, PISTON PIN		2				
034	YA00000068	ROD, CONNECTING		1				
038	YA00000037	CRANKCASE SUBASSEMBLY.		1				
039	YA00000039	COVER, CRANKCASE		1				
040	YA00000186	SEAL, OIL		1				
041	YA00000164	BOLT		6				
042	YA00000183	BEARIN, DEEP GROOVE BALL		2				
043	YA00000101	DIPSTICK SUBASSEMBLY, OIL		1				
044	YA00000033	GASKET, CRANKCASE		1				
045	YA00000179	PIN		2				
046	YA00000095	CAMSHAFT ASSY.		1				
047	YA00000082	CRANKSHAFT ASSY.		1				
048	YA00000120	GEAR ASSY, GOVERNOR		1				
049	YA00000110	ARM, GOVERNOR		1				
050	YA00000174	WASHER, FLAT		1				
051	YA00000177	PIN		1				
053	YA00000183	BEARIN, DEEP GROOVE BALL		1				
054	YA00000034	BOLT, DRAIN PLUG		2				
055	YA00000173	WASHER, FLAT		2				

Model No. EG2850A PETROL GENERATOR

Item	Parts No.	Description	I/C	QTY	N/O	Opt. 1	Opt. 2	NOTE
056	YA00000186	SEAL, OIL		1				
060	YA00000153	SENSOR, ENGINE OIL		1				
061	YA00000578	NUT		1				
062	YA00000159	BOLT		2				
063	YA00000122	CONTROL ASSY, THROTTLE		1				
064	YA00000158	BOLT		2				
065	YA00000114	SPRING, GOVERNOR		1				
066	YA00000112	ROD, GOVERNEOR		1				
067	YA00000108	SPRING,THROTTLE VALVE RETURNIN		1				
068	YA00000116	SUPPORT SUBASSEMBLY, GOVERNO		1				
069	YA00000117	BOLT, GOVERNOR SUPPORT		1				
070	YA00000171	NUT		1				
071	YA00000150	COIL, IGNITION		1				
072	YA00000161	BOLT		2				
073	YA00000087	FLYWHEEL SUBASSEMBLY		1				
074	YA00000137	IMPELLER		1				
075	YA00000139	PULLEY,STARTER		1				
076	YA00000084	NUT, FLYWHEEL		1				
077	YA00000142	SHROUD		1				
078	YA00000157	BOLT		6				
079	YA00000135	SHIELD,LOWER		1				
080	YA00000160	BOLT		1				
081	YA00000133	SHROUD, CYLINDER BODY		1				
083	YA00000144	STARTER ASSY, RECOIL		1				
084	YA00000157	BOLT		4				
085	YA00000580	STOPPER, MOTOR RIGHT COVER		1				
086	YA00000576	BOLT		1				
087	YA00000170	NUT		2				
092	YA00000119	CARBURETOR ASSY.		1				
093	YA00000103	GASKET, CARBURETOR		1				
094	YA00000106	PLATE, CARBURETOR INSULATOR		1				
095	YA00000105	GASKET, CARBURETOR INSULATOR		1				
096	YA00000124	GASKET, AIR CLEANER		1				
097	YA00000188	TUBE, FUEL		1				
098	YA00000191	COLLAR		2				
099	YA00000130	CLEANER, AIR		1				
101	YA00000171	NUT		2				
105	YA00000368	210 CC ENGINE		1				
106	YA00000428	MUFFLER GASKET		1				
107	YA00000371	3 KW MUFFLER		1				
108	YA00000424	SPRING WASHER		2				
109	YA00000386	HEXAGON NUT M3		2				
110	YA00000274	SCREEN		1				
111	YA00000255	PIPE CL		1				
112	YA00000256	MUFFLER BRACKET		1				
113	YA00000411	BOLT		1				
114	YA00000410	BOLT 8*20		2				
118	YA00000276	2.8 KW ROTOR COMPONENTS		1	*			

Model No. EG2850A PETROL GENERATOR

Item	Parts No.	Description	I/C	QTY	N/O	Opt. 1	Opt. 2	NOTE
118-1	YA00000613	MOTOR ASSEMBLY	S	1				
119	YA00000420	WASHER		1				
120	YA00000424	SPRING WASHER		3				
121	YA00000245	FLANGE BOLTS		1				
122	YA00000281	2.8 KW STATOR COMPONENTS		1	*			
123	YA00000206	END COVER		1				
124	YA00000418	WASHER		4				
125	YA00000423	SPRING WASHER		4				
126	YA00000244	HEXAGON HEAD BOLTS		4				
127	YA00000379	AVR REGULATOR		1				
128	YA00000407	BOLT 5*12		2				
129	YA00000403	BOLT 5*12		1				
130	YA00000285	CARBON BRUSH		1				
131	YA00000407	BOLT 5*12		3				
132	YA00000356	SOCKET COMPONENTS		1				
133	YA00000271	SCREEN		1				
134	YA00000236	THE MOTOR HOUSING		1				
135	YA00000407	BOLT 5*12		2				
140	YA00000400	MACHINE SCREW		4				
141	YA00000354	SMALL PANEL COMPONENTS		1				
142	YA00000392	TYPE 1 NON-METALLIC HEX NUTS		2				
143	YA00000349	FUEL TANK CAP ASSEMBLY		1				
144	YA00000375	FUEL FILTER		1				
145	YA00000221	TANK		1				
146	YA00000415	HEX FLANG BOLT 6*25		4				
147	YA00000241	BIG TANK GASKET		4				
148	YA00000214	TANK CUSHION CASING		4				
149	YA00000267	TANK CUSHION		4				
150	YA00000211	FUEL TANK SWITCH		1				
151	YA00000398	SUNK SCREW 5*14		2				
152	YA00000348	THE FUEL INDICATOR COMPONENTS		1				
153	YA00000352	2.6 KW RACK COMPONENTS		1				
154	YA00000588	2.6 KW PANEL COMPONENT		1				
155	YA00000412	BOLT		4				
156	YA00000387	FLANGE LOCK NUT M6		4				
157	YA00000268	168 CUSHIONS		4				
158	YA00000388	FLANGE LOCK NUT M8		8				
159	YA00000412	BOLT		4				
160	YA00000219	FOOT RUBBER SEAT		4				
161	YA00000223	SIDE GUARD PLATE		1				
162	YA00000412	BOLT		7				
163	YA00000574	CHECK WASHER		6				
164	YA00000224	BEFORE THE PROTECTIVE PLATE		1				
165	YA00000195	A SMALL CABLE TIE		5				
166	YA00000196	COTTON VARNISHED SLEEVE 0.4M		2				
170	YA00000208	INDICATING LAMP SHADE		2				
171	YA00000210	INDICATOR CAP		2				
172	YA00000238	BEFORE THE SMALL MASK		1				

Model No. EG2850A PETROL GENERATOR

Item	Parts No.	Description	I/C	QTY	N/O	Opt. 1	Opt. 2	NOTE
173	YA00000376	VOLTMETER		1				
174	YA00000347	ELECTRONIC COMPONENTS		1				
175	YA00000203	SMALL PANEL REAR COVER		1				
176	YA00000377	AMMETER		1				
177	YA00000200	MOTHER PLUG TERMINAL BLOCK		1				
178	YA00000310	ELETRICAL WIRE		1				
179	YA00000309	ELETRICAL WIRE		1				
180	YA00000308	ELETRICAL WIRE		2				
181	YA00000195	A SMALL CABLE TIE		1				
182	YA00000192	HEAT SHRINKABLE TUBE		1				
185	YA00000237	THE FRONT PANEL		1				
186	YA00000590	MACHINE THREAD SCREW		8				
187	YA00000212	BECOME WARPED PLATE SWITCH		1				
188	YA00000351	BLACK DC TERMINAL ASSEMBLY		1				
189	YA00000350	RED DC TERMINAL ASSEMBLY		1				
190	YA00000399	THE TROUGH PAN HEAD SCREWS 3*1		2				
191	YA00000422	ELASTIC WASHER		2				
192	YA00000416	WASHER		2				
193	YA00000225	METAL PANEL		1				
194	YA00000341	OVER-CURRENT PROTECTOR		1				
195	YA00000382	THE HYDRAULIC BREAKER		1				
196	YA00000402	THREE COMBINATION SCREW		2				
197	YA00000405	FLANGE SURFACE SELF TAPPING		2				
199	YA00000202	AFTER THE PANEL COVER		1				
200	YA00000264	PANEL SHEATHING		3				
201	YA00000406	PAN HEAD FLANGE SCREW4*16		6				
202	YA00000589	BS PLUG		2				
203	YA00000392	TYPE 1 NON-METALLIC HEX NUTS		10				
204	YA00000209	GROUND NUT		1				
205	YA00000389	HEXAGON NUTS WITH FLANGE		1				
206	YA00000231	GROUND WIRE FIXED PLATE		1				
207	YA00000407	BOLT 5*12		1				
208	YA00000403	BOLT 5*12		6				
209	YA00000343	RECTIFIER BRIDGE		1				
210	YA00000404	MACHINE WITH SCREW5*20		1				
211	YA00000218	BLOCK ALIGNMENT		1				
212	YA00000345	TRANSFORMER		1				
213	YA00000233	TRANSFORMER FIXED PLATE		1				
214	YA00000403	BOLT 5*12		2				
216	YA00000193	WIRE COVER 0.22M		1				
217	YA00000287	CONNECTING WIRE		1				
222	YA00000292	CONNECTING WIRE		2				
223	YA00000293	CONNECTING WIRE		1				
224	YA00000294	CONNECTING WIRE		1				
225	YA00000295	CONNECTING WIRE		1				
226	YA00000296	CONNECTING WIRE		1				
227	YA00000297	CONNECTING WIRE		1				
228	YA00000298	CONNECTING WIRE		1				

Model No. EG2850A PETROL GENERATOR

Item	Parts No.	Description	I/C	QTY	N/O	Opt. 1	Opt. 2	NOTE
229	YA00000299	CONNECTING WIRE		1				
230	YA00000301	CONNECTING WIRE		1				
231	YA00000302	CONNECTING WIRE		1				
232	YA00000303	CONNECTING WIRE		1				
233	YA00000304	CONNECTING WIRE		1				
234	YA00000305	CONNECTING WIRE		1				
235	YA00000306	CONNECTING WIRE		2				
237	YA00000591	CONNECTING WIRE		1				
238	YA00000592	CONNECTING WIRE		1				
239	YA00000201	MALE PLUG TERMINAL BLOCK		1				
240	YA00000200	MOTHER PLUG TERMINAL BLOCK		1				
241	YA00000195	A SMALL CABLE TIE		8				
242	YA00000263	END COVER SHEATH		1				
243	YA00000193	WIRE COVER 0.22M		1				
244	YA00000569	HEAT-SHRINKABLE TUBE0.1M		2				
245	YA00000570	TERMINAL		2				

Please order the parts with a part number.

Print Date 13/04/2018