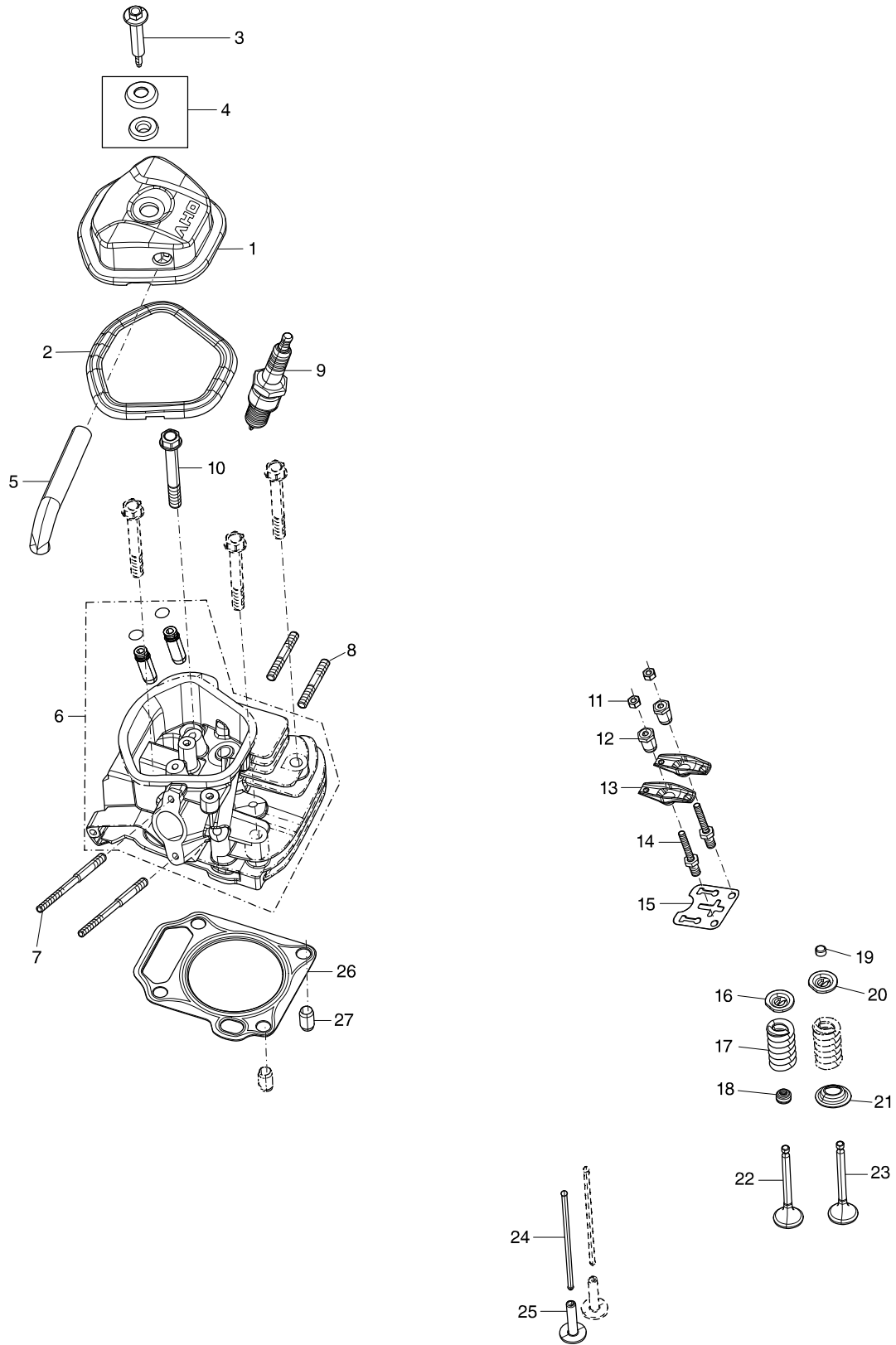
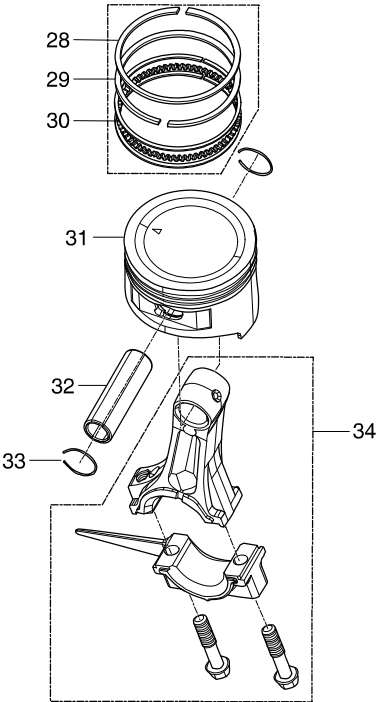


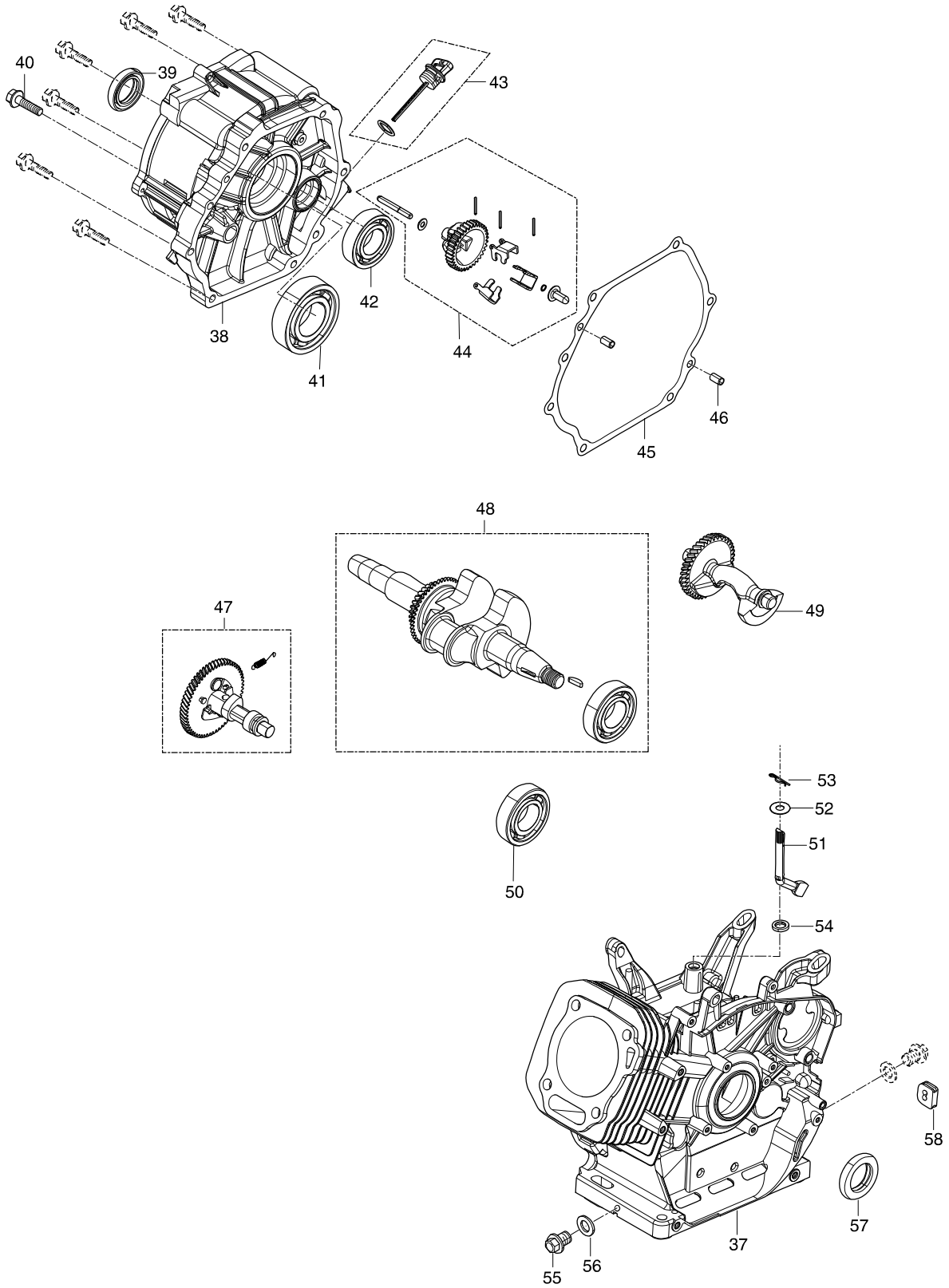
Model No. EG5550A PETROL GENERATOR



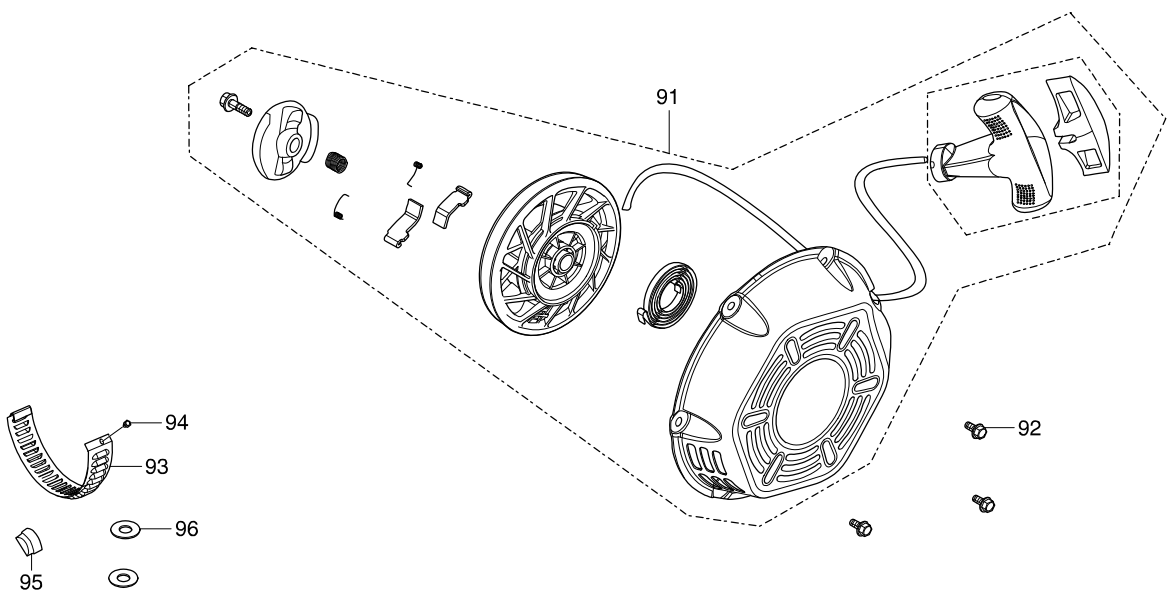
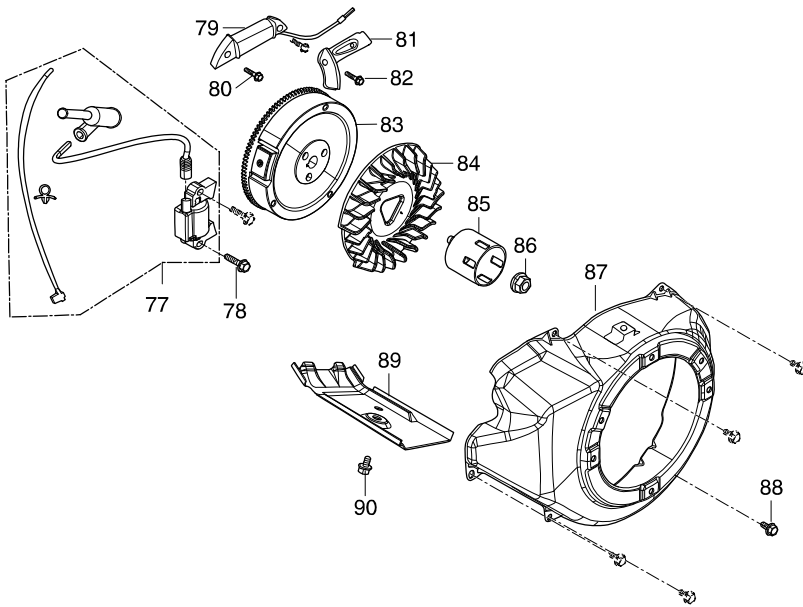
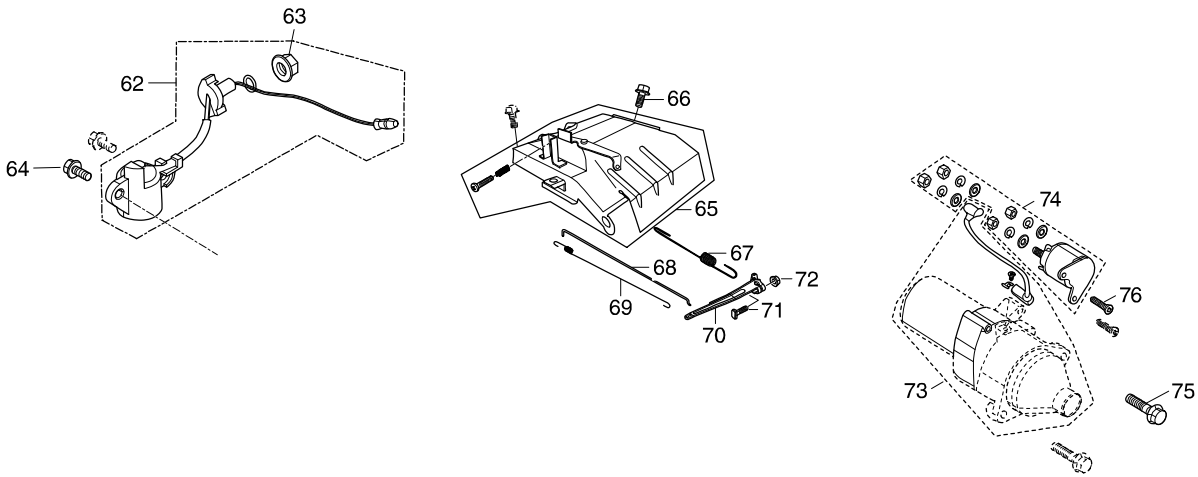
Model No. EG5550A PETROL GENERATOR



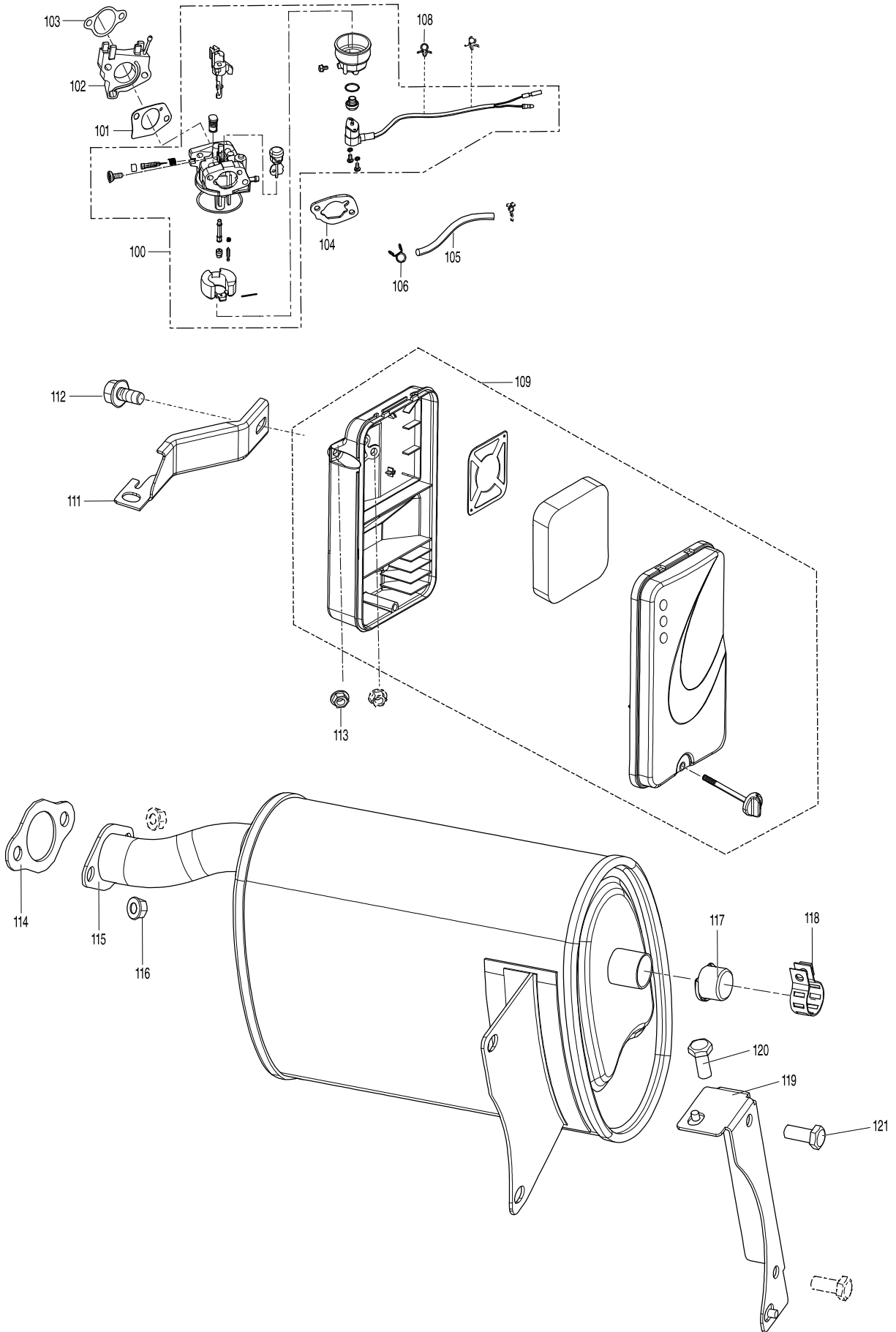
Model No. EG5550A PETROL GENERATOR



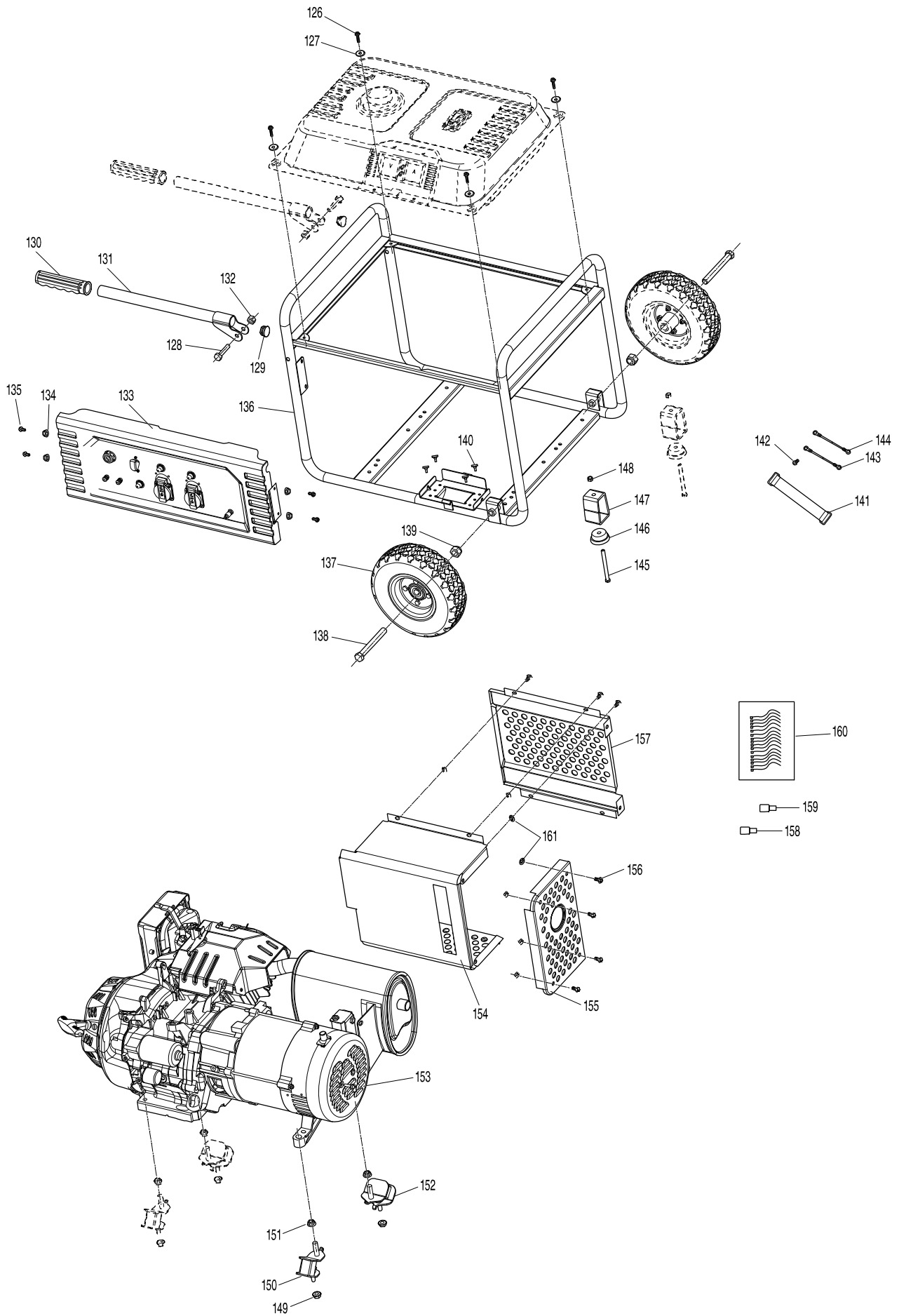
Model No. EG5550A PETROL GENERATOR



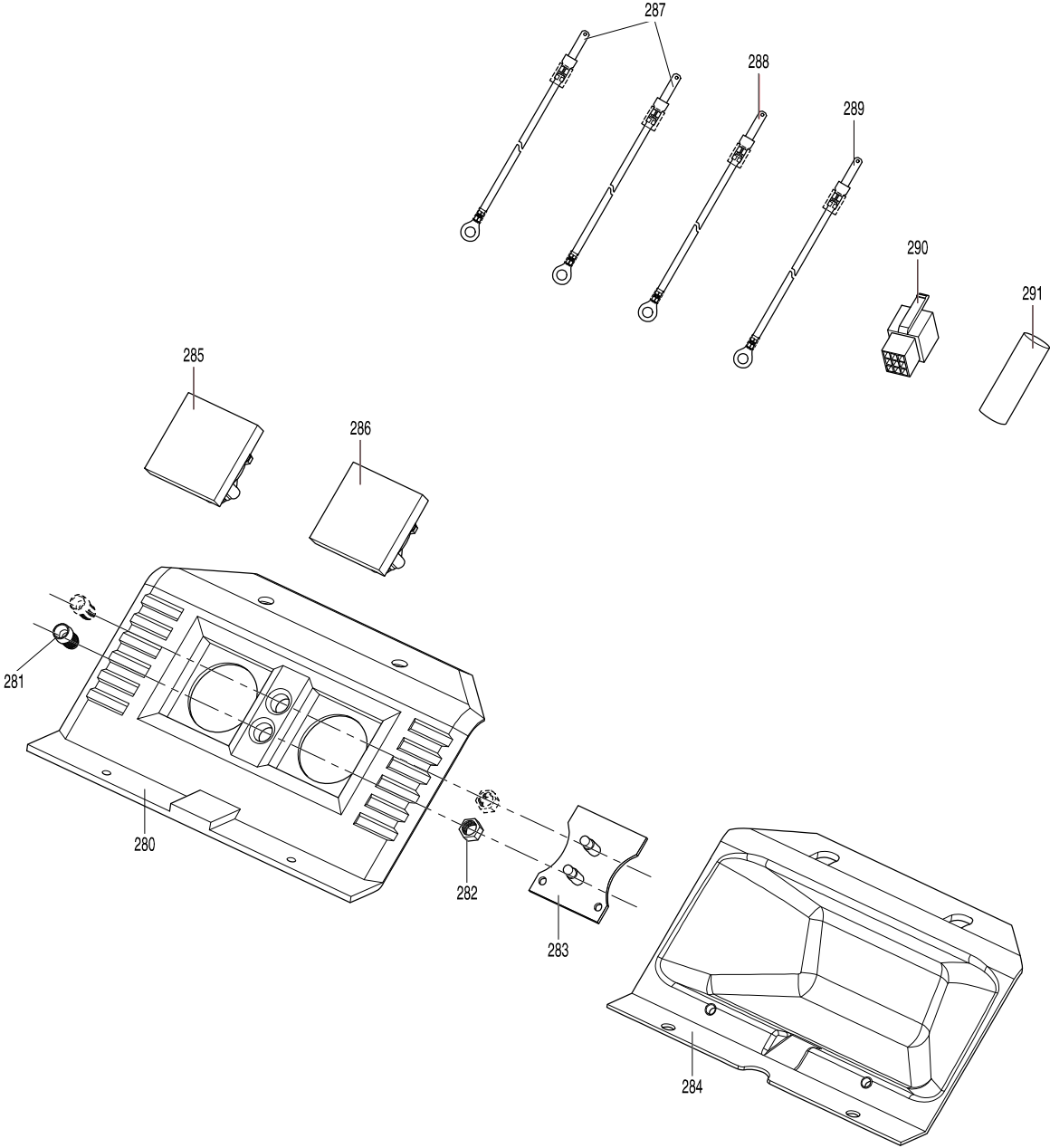
Model No. EG5550A PETROL GENERATOR



Model No. EG5550A PETROL GENERATOR



Model No. EG5550A PETROL GENERATOR



Model No. EG5550A PETROL GENERATOR

Item	Parts No.	Description	I/C	QTY	N/O	Opt. 1	Opt. 2	NOTE
001	YA00000066	COVER SUBASSEMBLY, CYLINDER		1				
002	YA00000043	GASKET, CYLINDER HEAD COVER		1				
003	YA00000044	BOLT, CYLINDER HEAD		1				
004	YA00000045	GASKET		1				
005	YA00000129	TUBE, BREATHER		1				
006	YA00000583	HEAD SUBASSEMBLY, CYLINDER		1				
007	YA00000169	STUD		2				
008	YA00000167	STUD		2				
009	YA00000147	PLUG, SPARK		1				
010	YA00000041	BOLT, CYLINDER HEAD		4				
011	YA00000098	NUT, VALVE LOCK		2				
012	YA00000100	NUT, VALVE ADJUSTING		2				
013	YA00000097	ROCKER, VALVE		2				
014	YA00000099	BOLT, ROCKER SHAFT		2				
015	YA00000093	PLATE SUBASSEMBLY, LIFTER		1				
016	YA00000058	SEAT, VALVE SPRING		1				
017	YA00000049	SPRING, VALVE		2				
018	YA00000047	GUIDE, SEAL		1				
019	YA00000051	ROTATOR, VALVE		1				
020	YA00000054	RETAINER, EXHAUST VALVE		1				
021	YA00000052	RETAINER, VALVE SPRING		1				
022	YA00000056	VALVE, INTAKE		1				
023	YA00000060	VALVE, EXHAUST		1				
024	YA00000088	LIFTER SUBASSEMBLY, VALVE		2				
025	YA00000091	TAPPET, VALVE		2				
026	YA00000061	GASKET, CYLINDER HEAD		1				
027	YA00000181	PIN		2				
028	YA00000076	RING, THE FIRST		1				
029	YA00000078	RING, THE SECOND		1				
030	YA00000080	RING SET, OIL		1				
031	YA00000070	PISTON		1				
032	YA00000072	PIN, PISTON		1				
033	YA00000074	CLIP, PISTON PIN		2				
034	YA00000067	ROD, CONNECTING		1				
037	YA00000036	CRANKCASE SUBASSEMBLY.		1				
038	YA00000038	COVER, CRANKCASE		1				
039	YA00000186	SEAL, OIL		1				
040	YA00000166	BOLT		7				
041	YA00000184	BEARIN, DEEP GROOVE BALL		1				
042	YA00000182	BEARIN, DEEP GROOVE BALL		1				
043	YA00000102	DIPSTICK SUBASSEMBLY, OIL		1				
044	YA00000121	GEAR ASSY, GOVERNOR		1				
045	YA00000032	GASKET, CRANKCASE		1				
046	YA00000178	PIN		2				
047	YA00000094	CAMSHAFT ASSY.		1				
048	YA00000081	CRANKSHAFT ASSY.		1				
049	YA00000083	BALANCING SHAFT		1				
050	YA00000182	BEARIN, DEEP GROOVE BALL		1				

Model No. EG5550A PETROL GENERATOR

Item	Parts No.	Description	I/C	QTY	N/O	Opt. 1	Opt. 2	NOTE
051	YA00000111	ARM, GOVERNOR		1				
052	YA00000176	WASHER, FLAT		1				
053	YA00000177	PIN		1				
054	YA00000185	SEAL, OIL		1				
055	YA00000035	BOLT, DRAIN PLUG		2				
056	YA00000175	WASHER, FLAT		2				
057	YA00000186	SEAL, OIL		1				
058	YA00000141	PLUG, RUBBER		1				
062	YA00000154	SENSOR, ENGINE OIL		1				
063	YA00000578	NUT		1				
064	YA00000160	BOLT		2				
065	YA00000123	CONTROL ASSY, THROTTLE		1				
066	YA00000158	BOLT		2				
067	YA00000115	SPRING, GOVERNOR		1				
068	YA00000113	ROD, GOVERNEOR		1				
069	YA00000109	SPRING, THROTTLE VALVE		1				
070	YA00000117	BOLT, GOVERNOR SUPPORT		1				
071	YA00000117	BOLT, GOVERNOR SUPPORT		1				
072	YA00000171	NUT		1				
073	YA00000140	MOTOR, STARTING		1				
074	YA00000151	RELAY, STARTING		1				
075	YA00000165	BOLT		2				
076	YA00000155	BOLT		2				
077	YA00000149	COIL, IGNITION		1				
078	YA00000162	BOLT		2				
079	YA00000148	COIL SUBASSEMBLY, CHARGE		1				
080	YA00000163	BOLT		2				
081	YA00000146	CLAMP, CHARGE COIL		1				
082	YA00000158	BOLT		1				
083	YA00000086	FLYWHEEL SUBASSEMBLY		1				
084	YA00000136	IMPELLER		1				
085	YA00000138	PULLEY, STARTER		1				
086	YA00000085	NUT, FLYWHEEL		1				
087	YA00000143	SHROUD		1				
088	YA00000158	BOLT		5				
089	YA00000134	SHROUD, CYLINDER BODY		1				
090	YA00000157	BOLT		1				
091	YA00000145	STARTER ASSY, RECOIL		1				
092	YA00000156	BOLT		3				
093	YA00000135	SHIELD, LOWER		1				
094	YA00000575	BOLT		1				
095	YA00000580	STOPPER, MOTOR RIGHT COVER		1				
096	YA00000573	SPRING WASHERS		2				
100	YA00000118	CARBURETOR ASSY.		1				
D10		INC. 292						
101	YA00000104	GASKET, CARBURETOR		1				
102	YA00000107	PLATE, CARBURETOR INSULATOR		1				
103	YA00000126	GASKET, INLET		1				

Model No. EG5550A PETROL GENERATOR

Item	Parts No.	Description	I/C	QTY	N/O	Opt. 1	Opt. 2	NOTE
104	YA00000125	GASKET, AIR CLEANER		1				
105	YA00000189	TUBE, FUEL		1				
106	YA00000191	COLLAR		2				
108	YA00000187	CLIP		2				
109	YA00000584	CLEANER, AIR		1				
111	YA00000579	SUPPORT, AIR CLEANER		1				
112	YA00000158	BOLT		1				
113	YA00000171	NUT		2				
114	YA00000131	GASKET, EXHAUST OUTLET		1				
115	YA00000600	5KW SILENCER		1				
116	YA00000170	NUT		2				
117	YA00000274	SCREEN		1				
118	YA00000255	PIPE CL		1				
119	YA00000256	MUFFLER BRACKET		1				
120	YA00000409	BOLT 8 * 16		1				
121	YA00000410	BOLT 8*20		2				
126	YA00000415	HEX FLANG BOLT 6*25		4				
127	YA00000241	BIG TANK GASKET		4				
128	YA00000215	PUTTER SHAFT		2				
129	YA00000204	PUTTER COVER		2				
130	YA00000262	HANDLE SHEATH		2				
131	YA00000213	PUTTER		2				
132	YA00000394	SELF-LOCKING NUT M8		2				
133	YA00000595	5KW PANEL ASSEMBLY		1				
134	YA00000387	FLANGE LOCK NUT M6		4				
135	YA00000414	LOCKING SCREWS 6 * 16		4				
136	YA00000258	5KW UNIT BRACKET		1				
137	YA00000217	RUBBER WHEEL		2				
138	YA00000216	AXLE		2				
139	YA00000394	SELF-LOCKING NUT M8		2				
140	YA00000581	BATTERY DAMPING PAD		4				
141	YA00000360	BATTERY FIXING STRAP ASSEMBLY		1				
142	YA00000586	LOCKING SCREWS 6 * 12		1				
143	YA00000340	WIRE		1				
144	YA00000339	WIRE		1				
145	YA00000413	BOLT 8*100		2				
146	YA00000220	FOOT RUBBER MOUNTS		2				
147	YA00000257	FRONT BRACKET		2				
148	YA00000394	SELF-LOCKING NUT M8		2				
149	YA00000390	LOCKING NUT M8		4				
150	YA00000270	CUSHION		2				
151	YA00000391	LOCKING NUT M8		4				
152	YA00000269	CUSHION		2				
153	YA00000599	ENGINE MOTOR ASSEMBLY		1	*			
154	YA00000229	LEFT INSULATING PLATE		1				
155	YA00000234	REAR INSULATION BOARD		1				
156	YA00000414	LOCKING SCREWS 6 * 16		7				
157	YA00000235	RIGHT INSULATION BOARD		1				

Model No. EG5550A PETROL GENERATOR

Item	Parts No.	Description	I/C	QTY	N/O	Opt. 1	Opt. 2	NOTE
158	YA00000572	WIRE WATERPROOF HAT(RED)		1				
159	YA00000571	WIRE WATERPROOF HAT(BLACK)		1				
160	YA00000195	A SMALL CABLE TIE		16				
161	YA00000574	CHECK WASHER		7				
165	YA00000239	4KW FRONT CONTROL PANEL		1				
166	YA00000589	BS PLUG		2				
167	YA00000590	MACHINE THREAD SCREW		8				
168	YA00000392	TYPE 1 NON-METALLIC HEX NUTS		10				
169	YA00000350	RED DC TERMINAL ASSEMBLY		1				
170	YA00000351	BLACK DC TERMINAL ASSEMBLY		1				
171	YA00000232	METAL PANELS		1				
172	YA00000261	ELECTRIC DOOR LOCKS		1	*			
172-1	YA00000725	ELECTRIC DOOR LOCKS	O	1				
173	YA00000399	THE TROUGH PAN HEAD SCREWS 3*1		2				
174	YA00000422	ELASTIC WASHER		2				
175	YA00000416	WASHER		2				
176	YA00000384	ELECTROMAGNETIC HYDRAULIC		1				
177	YA00000401	SCREW 4*10		2				
178	YA00000341	OVER-CURRENT PROTECTOR		1				
179	YA00000342	16A-CURRENT PROTECTION DEVICE		2				
180	YA00000218	BLOCK ALIGNMENT		1				
181	YA00000346	TRANSFORMER		1				
182	YA00000396	SCREW 3*10		2				
183	YA00000343	RECTIFIER BRIDGE		1				
184	YA00000233	TRANSFORMER FIXED PLATE		1				
185	YA00000209	GROUND NUT		1				
186	YA00000389	HEXAGON NUTS WITH FLANGE		1				
187	YA00000231	GROUND WIRE FIXED PLATE		1				
188	YA00000408	BOLT 6*20		1				
189	YA00000378	AMMETER		1				
190	YA00000386	HEXAGON NUT M3		2				
191	YA00000403	BOLT 5*12		8				
192	YA00000404	MACHINE WITH SCREW5*20		1				
193	YA00000240	4KW REAR CONTROL PANEL		1				
194	YA00000406	PAN HEAD FLANGE SCREW4*16		6				
195	YA00000264	PANEL SHEATHING		2				
196	YA00000265	PANEL SHEATHING		1				
197	YA00000311	WIRE		1				
198	YA00000312	WIRE		1				
199	YA00000313	WIRE		1				
200	YA00000314	WIRE		1				
201	YA00000315	WIRE		1				
202	YA00000316	WIRE		1				
205	YA00000594	WIRE		1				
206	YA00000319	WIRE		2				
207	YA00000320	WIRE		1				
208	YA00000321	WIRE		1				
209	YA00000322	WIRE		1				

Model No. EG5550A PETROL GENERATOR

Item	Parts No.	Description	I/C	QTY	N/O	Opt. 1	Opt. 2	NOTE
210	YA00000323	WIRE		1				
211	YA00000324	WIRE		1				
212	YA00000326	WIRE		1				
213	YA00000327	WIRE		1				
214	YA00000328	WIRE		1				
215	YA00000329	WIRE		1				
216	YA00000338	WIRE U519		2				
217	YA00000330	WIRE		1				
218	YA00000331	WIRE		1				
219	YA00000332	WIRE		1				
220	YA00000333	WIRE		1				
221	YA00000334	WIRE		1				
222	YA00000335	WIRE		1				
223	YA00000336	WIRE		1				
224	YA00000337	WIRE		1				
225	YA00000198	MALE PLUG TERMINAL BLOCK		1				
226	YA00000199	FEMALE PLUG TERMINAL BLOCK		1				
227	YA00000201	MALE PLUG TERMINAL BLOCK		1				
228	YA00000197	MALE PLUG TERMINAL BLOCK		1				
229	YA00000193	WIRE COVER 0.22M		1				
230	YA00000196	COTTON VARNISHED SLEEVE 0.4M		1				
231	YA00000194	FLEXIBLE CONDUIT 0.3M		1				
232	YA00000569	HEAT-SHRINKABLE TUBE0.1M		1				
233	YA00000195	A SMALL CABLE TIE		10				
234	YA00000570	TERMINAL		2				
236	YA00000369	420CC ENGINE		1				
237	YA00000278	5KW ROTOR ASSEMBLY		1	*			
237-1	YA00000615	MOTOR ASSEMBLY	S	1				
238	YA00000421	FLAT GASKET		1				
239	YA00000425	SPRING WASHER		1				
240	YA00000249	BOLT M10*265		1				
241	YA00000393	NUT M5		2				
242	YA00000283	5KW STATOR ASSEMBLY		1	*			
243	YA00000227	STATOR SHIELD		1	*			
244	YA00000395	RIVETS		4				
245	YA00000417	GASKET		4				
246	YA00000273	FILTER		1				
247	YA00000207	GENERATOR REAR COVER		1				
248	YA00000250	BOLT M5*215		2				
249	YA00000419	FLAT GASKET		4				
250	YA00000423	SPRING WASHER		4				
251	YA00000251	BOLT M6*185		4				
252	YA00000403	BOLT 5*12		1				
253	YA00000380	AVR REGULATOR		1				
254	YA00000286	BRUSH ASSEMBLY		1				
255	YA00000356	SOCKET COMPONENTS		1				
256	YA00000407	BOLT 5*12		5				
257	YA00000266	END COVER SHEATH		1				

