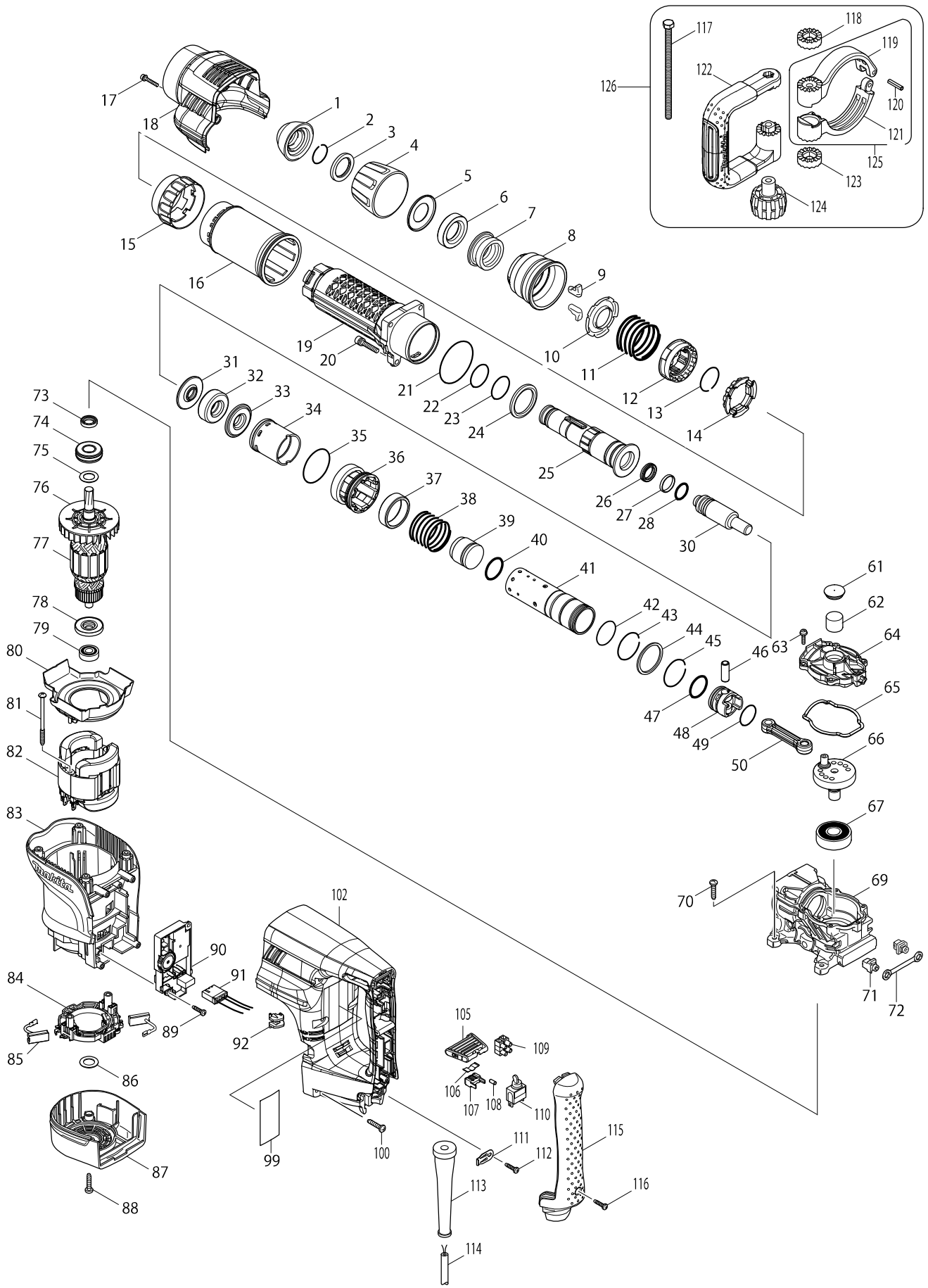


# Model No. HM1101C DEMOLITION HAMMER



# Model No. HM1101C DEMOLITION HAMMER

Item	Parts No.	Description	I/C	QTY	N/O	Opt. 1	Opt. 2	NOTE
001	286285-4	TOOL HOLDER CAP		1		100		
002	233948-3	RING SPRING 25		1		100		
003	257308-5	RING 28		1		100		
004	450064-8	CHUCK COVER		1		100		
005	346247-5	CUP WASHER 28		1		100		
006	262161-6	RUBBER RING 28		1		100		
007	324752-2	CHUCK RING		1		100		
008	451836-4	RELEASE COVER		1		100		
009	310178-4	TOOL RETAINER		2		100		
010	345804-6	SPRING GUIDE		1		100		
011	234180-2	COMPRESSION SPRING 47		1		100		
012	313193-7	CHANGE RING		1		100		
013	233982-3	RING SPRING 33		1		100		
014	325904-8	LOCK RING		1		100		
015	451842-9	CHANGE RING COVER		1		100		
016	451835-6	BARREL COVER		1		100		
017	922148-7	HEX. SOCKET HEAD BOLT M4X25		1		100		
018	451849-5	CRANK HOUSING COVER		1		100		
019	140411-8	BARREL COMPLETE		1		100		
020	922353-6	HEX.SOCKET HEAD BOLT M6X30		4		100		
021	213654-6	O RING 60		1		100		
022	213492-6	O-RING 32		1		100		
023	213492-6	O-RING 32		1		100		
024	262135-7	RUBBER RING 36		1		100		
025	325901-4	TOOL HOLDER		1		100		
026	213281-9	X-RING 18		1		100		
027	213392-0	FLUORIDE RING 25		1		100		
028	213317-4	O RING 20		1		100		
030	325902-2	IMPACT BOLT		1		100		
031	325903-0	COLLARED SLEEVE 19		1		100		
032	422053-3	RUBBER RING 20		1		100		
033	325903-0	COLLARED SLEEVE 19		1		100		
034	412096-3	SLIDE SLEEVE		1		100		
035	213606-7	O RING 48		1		100		
036	318604-7	CYLINDER GUIDE		1		100		
037	313194-5	RING 39		1		100		
038	234178-9	COMPRESSION SPRING 40		1		100		
039	325905-6	STRIKER		1		100		
040	213536-2	O-RING 27		1		100		
041	331892-9	CYLINDER 35		1		100		
042	213458-6	O RING 34		1		100		
043	233981-5	RING SPRING 38		1		100		
044	267423-7	FLAT WASHER 40		1		100		
045	233981-5	RING SPRING 38		1		100		
046	331911-1	PIPE 10		1		100		
047	213536-2	O-RING 27		1		100		
048	451833-0	PISTON		1		100		
049	213415-4	O RING 28		1		100		

# Model No. HM1101C DEMOLITION HAMMER

Item	Parts No.	Description	I/C	QTY	N/O	Opt. 1	Opt. 2	NOTE
050	451834-8	CONNECTING ROD		1		100		
061	424311-3	FILTER CAP		1		100		
062	443127-7	FILTER		1		100		
063	911133-5	PAN HEAD SCREW M4X18		5		100		
064	451838-0	CRANK CAP		1		100		
065	424312-1	SEAL RING		1		100		
066	325899-5	CRANK SHAFT		1		100		
067	211279-0	BALL BEARING 6303LLU		1		100		
069	140408-7	CRANK HOUSING COMPLETE		1		100		
070	266041-8	TAPPING SCREW 5X25		4		100		
071	419008-7	FIX GUIDE		2		100		
072	423345-3	CUSHION PLATE		1		100		
073	213133-4	OIL SEAL 12		1		100		
074	211295-2	BALL BEARING 6202LLU		1		100		
075	267215-4	FLAT WASHER 15		1		100		
076	241908-1	FAN 80		1		100		
D10		INC. 74-76,78,79						
077A	517856-9	ARMATURE ASSEMBLY 115V		1		151		
077B	517858-5	ARMATURE ASSEMBLY 220-240V		1		151		
078	681642-5	INSULATION WASHER		1		100		
079	210059-1	BALL BEARING 6000DDW		1		100		
080	451837-2	BAFFLE PLATE		1		100		
081	266568-8	TAPPING SCREW 5X80		2		100		
082A	623416-8	FIELD 115V		1		152		
082B	623418-4	FIELD 220-240V		1		152		
083	451840-3	MOTOR HOUSING		1		100		
084	638700-8	BRUSH HOLDER UNIT		1		100		
085	194412-8	CARBON BRUSH CB-171		1	*	100		
085-1	195844-2	CARBON BRUSH CB-175	O	1		100		
086	267215-4	FLAT WASHER 15		1		100		
087	451839-8	REAR COVER		1		100		
088	266041-8	TAPPING SCREW 5X25		2		100		
089	265995-6	TAPPING SCREW 4X18		2	*	100		
089-1	266300-0	TAPPING SCREW 4X18	<	2		100		
090A	631965-1	CONTROLLER		1		100		
090B	631966-9	CONTROLLER		1		100		
091	638718-9	LEAD UNIT		1		100		
092	450240-4	LENS		1		100		
099	868072-9	HM1101C NAME PLATE		1		100		
100	266041-8	TAPPING SCREW 5X25		6		100		
102	140410-0	HANDLE COMPLETE		1		100		
C10	423379-6	SPONGE SHEET		1		100		
105	450897-1	SLIDE LEVER		1		100		
106	232209-8	LEAF SPRING		1		100		
107	450891-3	LEVER STOPPER		1		100		
108	263027-3	RUBBER PIN 4		1		100		
109	654531-7	TERMINAL BLOCK 2P		1		100		
110	651418-4	SWITCH ST115A-40		1		100		

